



Efficiently Moving Grain

GRAIN CARTS

GRANMAX

2016

1814

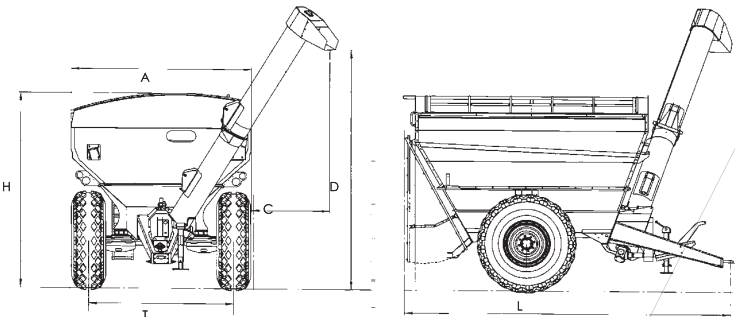


www.akron.com.ar

- **Unloading tube position.** Perfect angle for grain discharge. Unique in the market. This feature allows a greater discharge performance with minimum fuel consumption. Good visibility of the discharge spout, which allows the operator to efficiently drop the grain into the reception tank.
- **Sliding bottom doors that speed up and/or interrupt the unloading process and allow easy cleaning.**
- **Uniform discharge.**
- **Electronic Scale** (Optional)
- **Rice kit** (Optional)
- **Tarp, tool box, lights, and rear tow hitch** (Optional for 1814 model)



TECHNICAL SPECIFICATIONS	GM2016	GM1814
Maximum loading capacity (Kg)	16,000	14,000
Capacity (L)	20,000	18,000
Tare with tire (Kg)	3,400	3,300
Discharge performance (kg/min)	6,300	6,300
Unloading tube diameter (mm)	406	406
Horizontal auger diameter (mm)	320	320
Power Required (HP)	100	100
A (mm)	3,171	3,171
L (mm)	5,750	5,750
H (mm)	3,460	3,305
C (mm)	1,380	1,380
D (mm)	4,260	4,260
T (mm) (may vary according to tire)	2,580	2,580



GRANMAX



Rosario de Santa Fe 2256
 X2400EFN San Francisco CBA, Argentina
 Tel/Fax: + 54 3564 498502
 export@akron.com.ar
www.akron.com.ar



Unloading tube perfect angle.



Sliding bottom doors.



Good ground clearance.



Anti-slip folding ladder.