



Efficiently Moving Grain

## GRAIN CARTS

GRAN**MAX**

4234-35 T

3730-30 T

3125-25 T

2923-23 T



[www.akron.com.ar](http://www.akron.com.ar)

## GREAT WORKING CAPACITY

- CAPACITY:  
44,000 / 37,000 / 32,000 / 29,000 L
- UNLOADING SPEED: Up to 13,000 Kg/min

## GREAT UNLOADING SPEED

- UNLOADING TUBE POSITION.  
Perfect angle for grain discharge. Unique in the market. This feature allows a greater discharge performance with minimum fuel consumption. Good visibility of the discharge spout, which allows the operator to efficiently load the grain into the reception tank.
- UNIFORM DISCHARGE PROCESS.
- NEW LARGE DIAMETER HORIZONTAL AUGER
- UNLOADING TUBE
  - 500 mm diameter (GM 4234, GM 3730 and GM 3125).
  - 460 mm diameter (GM 2923)



**GranMax 4234**  
Capacity 35 T / 44,000 L



**GranMax 3730**  
Capacity 30 T / 37,000 L



Great capacity unloading tube.



Uniform, smooth-flow discharge.



Unloading tube position.



- Monoblock chassis.  
- Heavy-duty front and rear axles.  
- Self-supporting towbar.



Optimal stability and turning radius.

## EASY MANEUVERABILITY

- **TURNING RADIUS: MINIMUM**
- **COMPACT DESIGN:**  
Easy maneuverability. Easy to transport
- **OPTIMAL STABILITY AND TURNING RADIUS.**  
Front swing axle and directional stub axles.
- **MOVABLE DISCHARGE SPOUT:**  
wirelessly controlled (optional) .

## GREAT DESIGN

- **COMPACT DESIGN**
  - Monoblock chassis
  - Heavy-duty front and rear axles
  - Self- supporting towbar
- **INNOVATIVE DESIGN AND NEW POSITION OF LOAD CELLS.**
- **SAFETY:**
  - Innovative design.
  - Anti-slip folding ladder.
  - Bumper and rear lights.
  - Crank-operated tarp.



**GranMax 3125**  
Capacity 25 T / 32,000L



**GranMax 2923**  
Capacity 23 T / 29,000L



Front wheel assembly and scale.



Movable spout (optional).



Led lights.

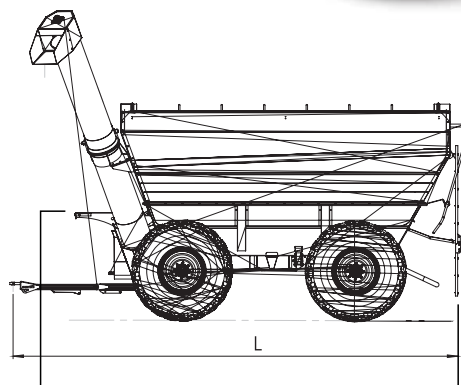
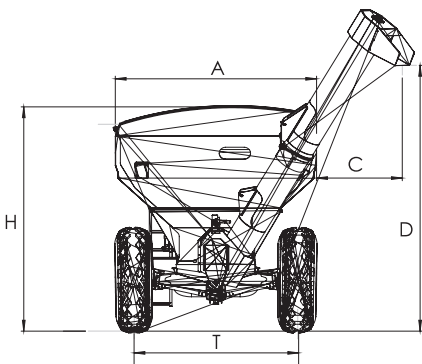


High flotation tires with minimum soil compaction.



Sliding bottom doors.

TECHINCAL FEATURES	GRANMAX 4234	GRANMAX 3730	GRANMAX 3125	GRANMAX 2923
Maximum loading capacity (Kg)	35,000	30,000	25,000	23,000
Loading volume (L)	44,000	37,000	32,000	29,000
Tare weight with tires (kg)	8,200	6,800	5,900	5,500
Unloading capacity (Kg/min)	13,000	13,000	13,000	10,000
Unloading tube diameter (mm)	500	500	500	460
Power required (HP)	200	160	140	120
A (mm)	3,590	3,410	3,350	3,210
L (mm)	9,600	8,700	8,000	7,930
L 2 (mm)	8,480	7,670	6,700	6,630
H (mm)	3,800	3,790	3,700	3,600
C (mm)	1,380	1,400	1,480	1,550
D (mm)	4,350	4,350	4,320	4,320
T (mm)	2,980	2,950	2,680	2,680



L2

GRANMAX



Rosario de Santa Fe 2256  
 X2400EFN San Francisco CBA, Argentina  
 Tel/Fax: + 54 3564 498502  
 export@akron.com.ar  
[www.akron.com.ar](http://www.akron.com.ar)