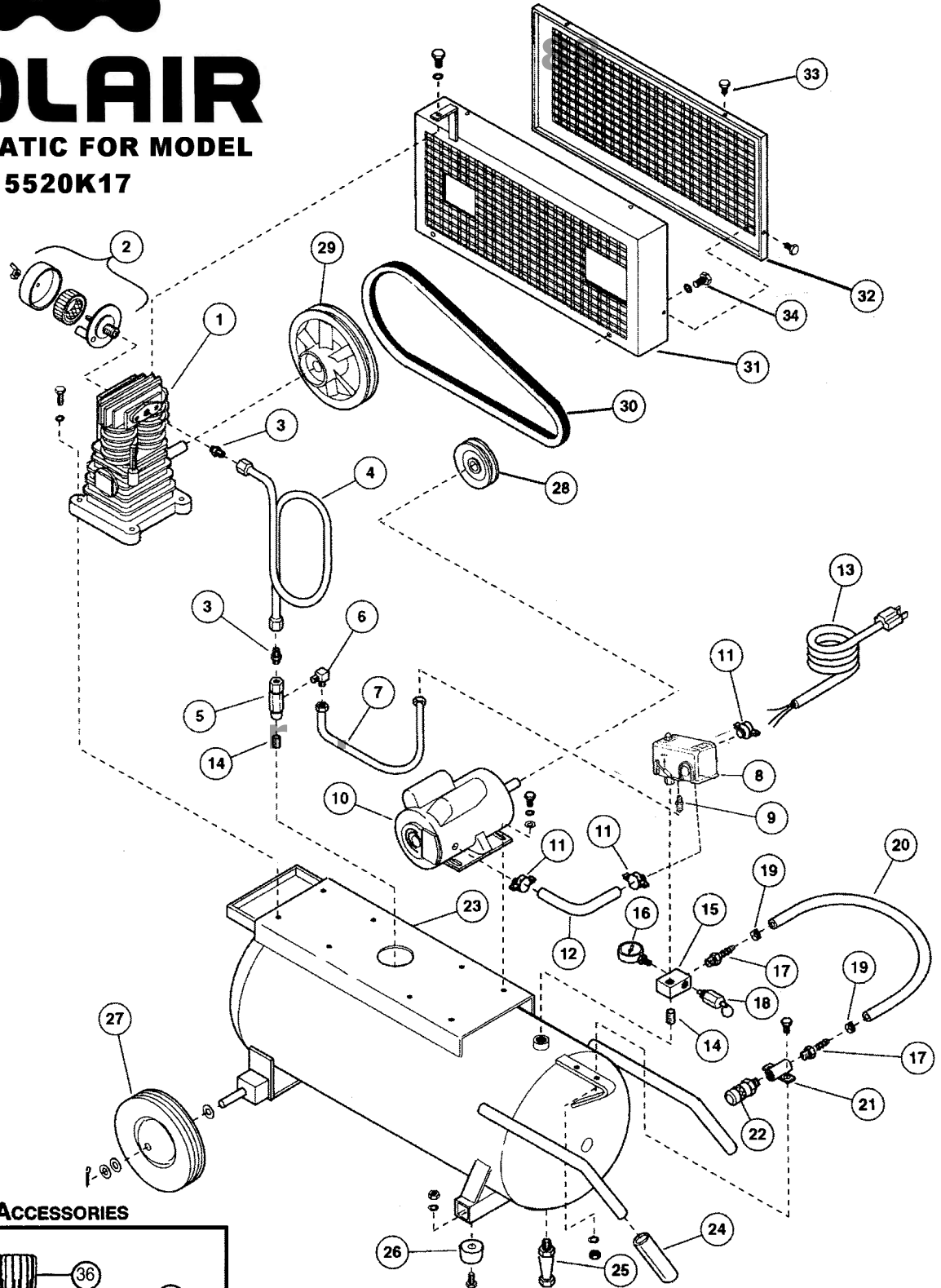
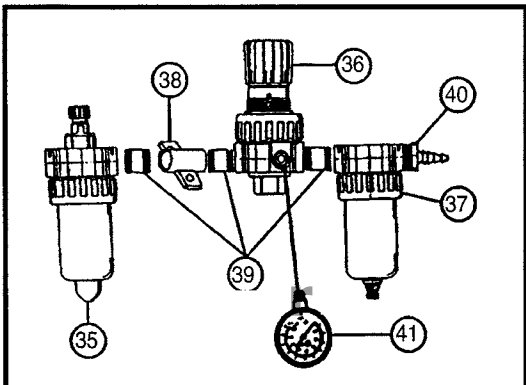


ROLAIR

**SCHEMATIC FOR MODEL
5520K17**



OPTIONAL ACCESSORIES



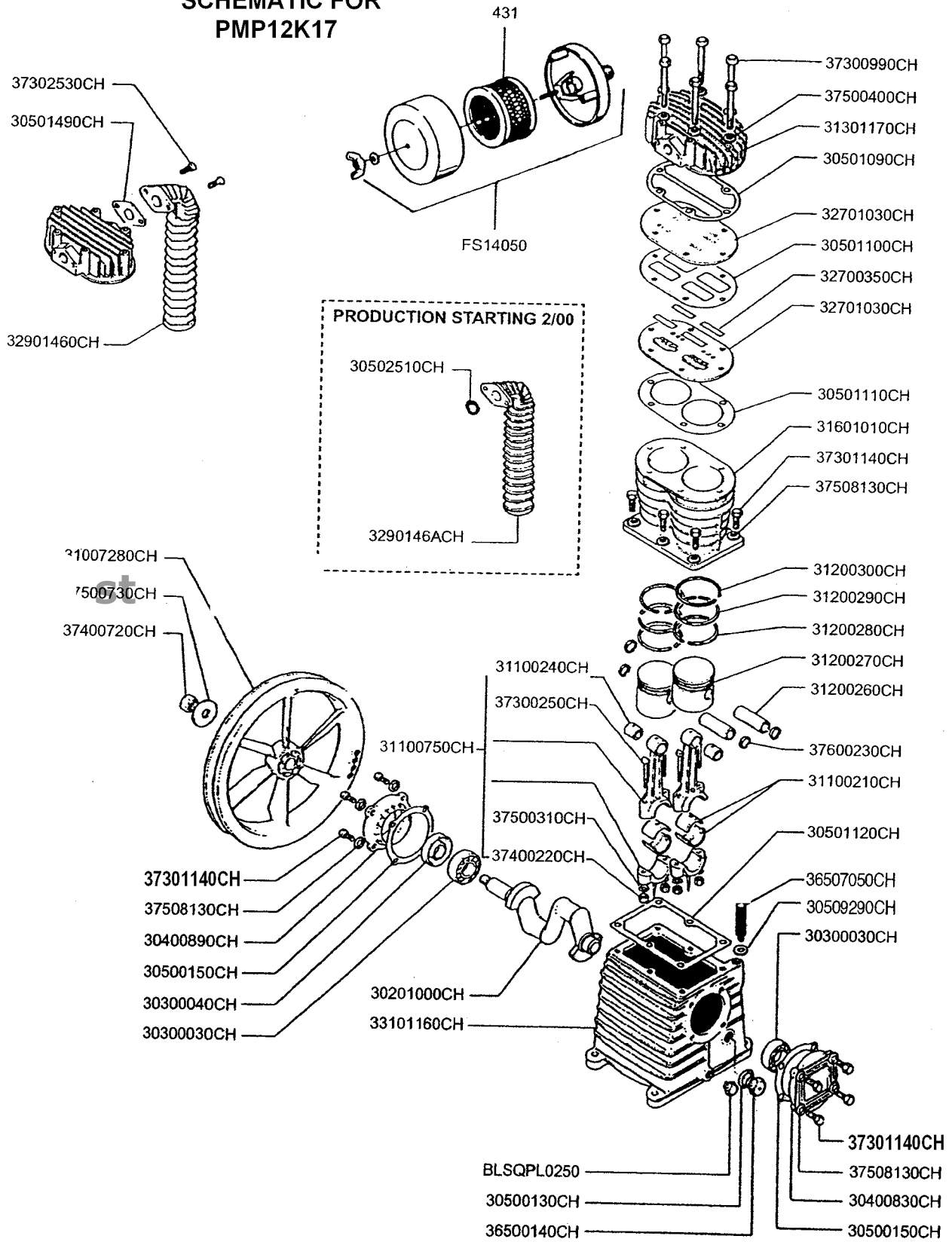


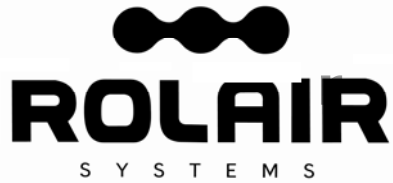
PARTS LIST FOR MODEL 5520K17

Schematic #	Description	Part #	Qty.
1	Twin Cylinder Pump w/Flywheel	PMP12K17CH	1
	Twin Cylinder Pump Less Flywheel	PMP12K17CHLF	1
2	Silencer/Filter Assembly	FS14050	1
	Filter Element – Replacement for Above	431	1
3	Brass Straight	BRST0500X050038	2
4	Discharge Tube*	5520K17-DISCH TB	1
5	Check Valve**	CV4X4L1	1
6	Brass Elbow	BRELO250X012539	1
7	¼" Copper Tubing	Specify Serial Number	1
8	Pressure Switch	PS2020M	1
9	Pressure Switch Relief Valve	PS2020RV	1
10	1.5 HP Motor	MTRC101	1
	1.5 HP Motor w/Dual Voltage Switch	MTRC102	1
11	Box Connector	161	3
12	Cord - 19"	173	1
13	Cord w/Plug	170	1
14	Nipple	BLNP0500X1500	2
15	Aluminum Block Manifold***	154	1
16	Gauge – Tank	GA0250200GC	1
17	Brass Coupler	BRCP0375X0375H12	2
18	Safety Relief Valve – Non-Code Models	SRV0250N165	1
	Safety Relief Valve – ASME Models	SRV0250A150	1
19	Hose Clamp	177A	2
20	3/8" Rubber Hose – 16"	178A	1.34'
21	Accessory Bracket	210	1
22	Quick Disconnect	309A	1
23	20 Gallon Tank Assembly – Non-Code	TNKASY5520NC	1
	20 Gallon Tank Assembly – ASME	TNKASY5520A	1
24	Handle Grip	328	2
25	Drain Valve	132BV	1
26	Rubber Foot	219	2
27	Semi-Pneumatic Tire	WLS40	2
28	Pulley	PUAK54X0875	1
29	Flywheel	31007280CH	1
30	Belt	BT4L480	1
31	Belt Guard Base	BG566A	1
32	Belt Guard Cover	BG567	1
33	Screw	MIS10093C	4
34	Washer	MIS10108	2
	Lock Washer	MIS10098	2
	Bolt	MIS10004	2
	ACCESSORIES		
35	Lubricator	LUB0375	1
36	Regulator	REG0375	1
37	Filter	FIL0375	1
38	Accessory Bracket	210	1
39	Nipple	BLNP0375X1500	3
40	Brass Coupler	BRCP0375X0375H12	1
41	Gauge - Line	GA0250200GC	1

ROLAIR

SCHEMATIC FOR PMP12K17





PARTS LIST FOR PMP12K17

Description	Part #	Qty.
Crankshaft	30201000CH	1
Bearing	30300030CH	2
Oil Seal	30300040CH	1
Bearing Carrier	30400830CH	1
Bearing Carrier	30400890CH	1
Gasket	30500130CH	1
Gasket	30500150CH	2
Gasket	30501090CH	1
Gasket	30501100CH	1
Gasket	30501110CH	1
Gasket	30501120CH	1
Gasket	30501490CH	1
O-Ring	30509290CH	1
Flywheel	31007280CH	1
Bearing Shell	31100210CH	2
Bushing*	31100240CH	2
Connecting Rod w/Upper Bushing	31100750CH	2
Connecting Rod Assembly	31100750CH1	2
Piston Pin	31200260CH	2
Piston	31200270CH	2
Ring	31200280CH	2
Ring	31200290CH	2
Ring	31200300CH	2
Head	31301170CH	1
Cylinder	31601010CH	1
Valve	32700350CH	4
Valve Plate	32701030CH	2
Aftercooler	32901460CH	1
Crankcase	33101160CH	1
Sight Gauge	36500140CH	1
3/8" Breather/Oil Fill Plug	36507050CH	1
Bolt	37300250CH	4
Bolt	37300990CH	6
Bolt	37301140CH	14
Bolt	37302530CH	2
Nut	37400220CH	4
Nut	37400720CH	1
Washer	37500310CH	4
Washer	37500400CH	6
Washer	37500730CH	1
Washer	37508130CH	14
Snap Ring	37600230CH	4
Filter Element	431	1
Plug	BLSQPL0250	1
Silencer/Filter Assembly	FS14050	1
Ring Set	K17RINGS	1
Gasket Set	K17GASKETS	1
Valve Plate Assembly (Valve plates, reeds & upper three gaskets)	1700VK17	1
Piston Assembly (Piston, rings, piston pin & snap rings)	1700PK17	2
AFTERCOOLER PARTS STARTING 2/00		
O-Ring – Aftercooler	30502510CH	1
Aftercooler	3290146ACH	1

*BUSHING IS NOT MACHINED TO FIT PISTON PIN IF ORDERED SEPARATE FROM CONNECTING ROD.