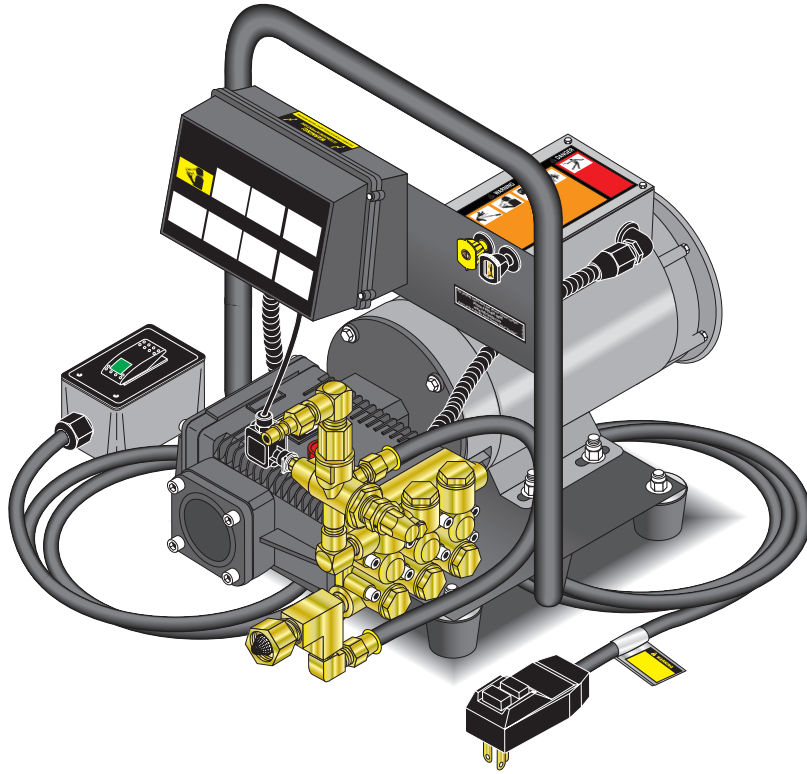
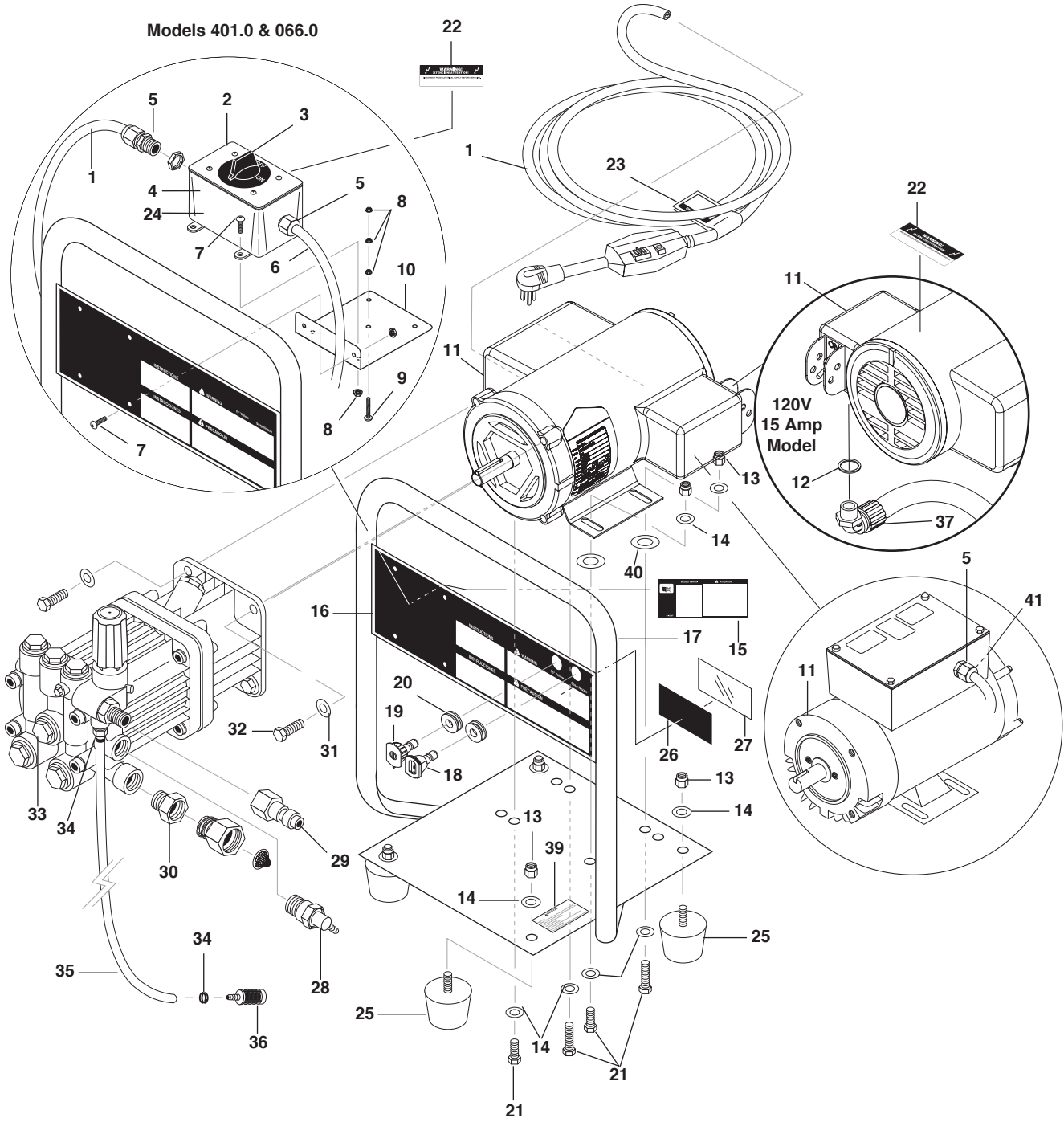


SERVICE MANUAL



ZE2-11026D	1.106-023.0
ZE2-14024D (HOME DEPOT)	1.106-024.0
ZEF2-14024D	1.107-090.0
ET-201409Dx2	1.107-089.0
HE-201406D	1.106-066.0
HE-201006D	1.106-065.0
HE-201407D+	1.106-067.0
HD 1.8/14Ed	1.575-401.0
HD 2.0/10Ed	1.575-400.0
HD 2.0/14Ed+	1.107-088.0
ET-301109D	1.106-107.0

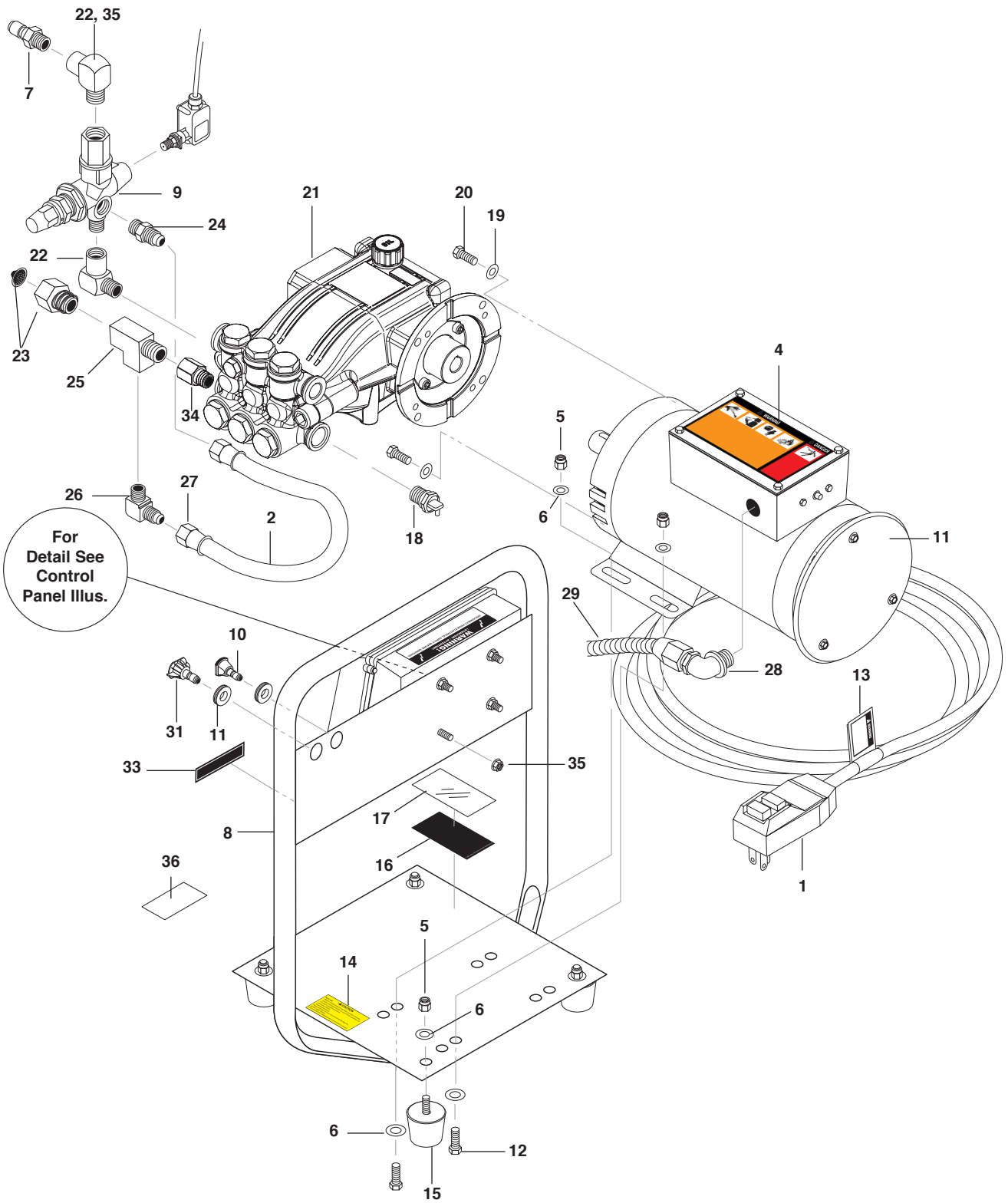
EXPLODED VIEW — STANDARD MODELS



EXPLODED VIEW PARTS LIST – STANDARD MODELS

ITEM	PART NO.	DESCRIPTION	QTY	ITEM	PART NO.	DESCRIPTION	QTY
1	9.802-432.0	GFCI, 120V 15 Amp w/36' 12-3 Cord (023.0, 400.0, 065.0)	1	26	8.930-123.0	Label, For Indoor Use	1
	9.802-431.0	GFCI, 120V 20 Amp w/36' 12-3 Cord (401.0, 066.0)	1	27	9.800-034.0	Label, Clear Lexan, 2-1/4" x 4-1/2"	1
2	9.802-478.0	Lid, Plastic Carlon (401.0, 066.0)	1	28	9.802-181.0	Pump Protector, 3/8" PTP	1
3	9.802-450.0	Switch, 2 Position 120V-600V (401.0, 066.0)	1	29	9.802-170.0	Coupler, 3/8" x 3/8" NPT ST Female	1
4	9.802-477.0	Box, Plastic Carlon (401.0, 066.0)	1	30	9.802-148.0	Adapter, 1/2" x 1/2" Pipe	1
5	9.802-518.0	Strain Relief, Strt, LQ Tite, Large (401.0, 066.0)	3	31	9.802-807.0	Washer, 3/8" Flat SAE	4
6	9.802-427.0	Cord, Service, SOWA, 12/3 (401.0, 066.0)	2 ft	32	9.802-720.0	Bolt, 3/8" x 1", NC	4
7	9.802-759.0	Screw, 10/32" x 1/2" BHSOC (401.0, 066.0)	6	33	9.802-357.0	Pump, Comet AXD2020E	1
8	9.802-695.0	Nut, 10/32" Keps (401.0, 066.0)	9	34	6.390-126.0	Clamp, Hose UNI .46 - .54	2
9	9.802-699.0	Screw, 10-32" x 3/4" RH, SL, Black (401.0, 066.0)	1	35	9.802-251.0	Hose, 1/4" x 1/2" Clear Vinyl	6 ft.
10	9.803-128.0	Bracket, Switch Box (401.0, 066.0)	1	36	9.802-160.0	Strainer, 1/4" Barb	1
11	8.754-711.0	Motor, 1.5hp 1ph, 115v 3480 Rpm, ODP	1	37	8.754-105.0	Connector, 1/2 Npt 90 Dgr	1
	8.754-710.0	Motor, 2 HP, 1 PH, 115/230V 3470 RPM ODP	1	38	9.800-095.0	▲ Tag, Pump Plug/Vented Cap	1
12	8.754-116.0	Metal Clad Sealing O-ring , 1/2 1(023.0, 400.0, 065.0)	1	39	9.800-049.0	Label, Manufacturers Cleaning Solution	1
13	9.802-776.0	Nut, 5/16" ESNA, NC	4	40	8.719-047.0	Washer, Nylon .281 ID x .25 THK	4
14	9.802-804.0	Washer, 5/16" Flat SAE	8	41	9.803-834.0	▲ Washer, Reducing 3/4" x 1/2"	1
15	9.800-037.0	Label, French Warning	1			▲ Not Shown	
16	9.800-059.0	Label, Instructions, Kärcher	1				
	8.750-883.0	Label, Instructions, Shark	1				
	8.900-827.0	Label, Instructions, Landa	1				
	8.900-893.0	Label, Instructions, Hotsy	1				
17	9.802-873.0	Handle Assy, Black	1				
18	(See Page 9 For Nozzles Information)						
19	(See Page 9 For Nozzles Information)						
20	9.802-064.0	Grommet, Rubber, Nozzle Holder	2				
21	9.803-277.0	Screw 5/16" x 1/2" Whiz Loc Flange	4				
	9.803-551.0	Screw, 5/16" x 3/4" Whiz Loc Flange	4				
22	9.800-016.0	Label, Disconnect Power	1				
23	8.932-969.0	Label, Warning, Service Cord	1				
24	9.800-040.0	▲ Label, Ground	1				
25	9.802-063.0	Mount, Vibration, 5/16"-18 x 9/16" Stud, 30 Duro	4				

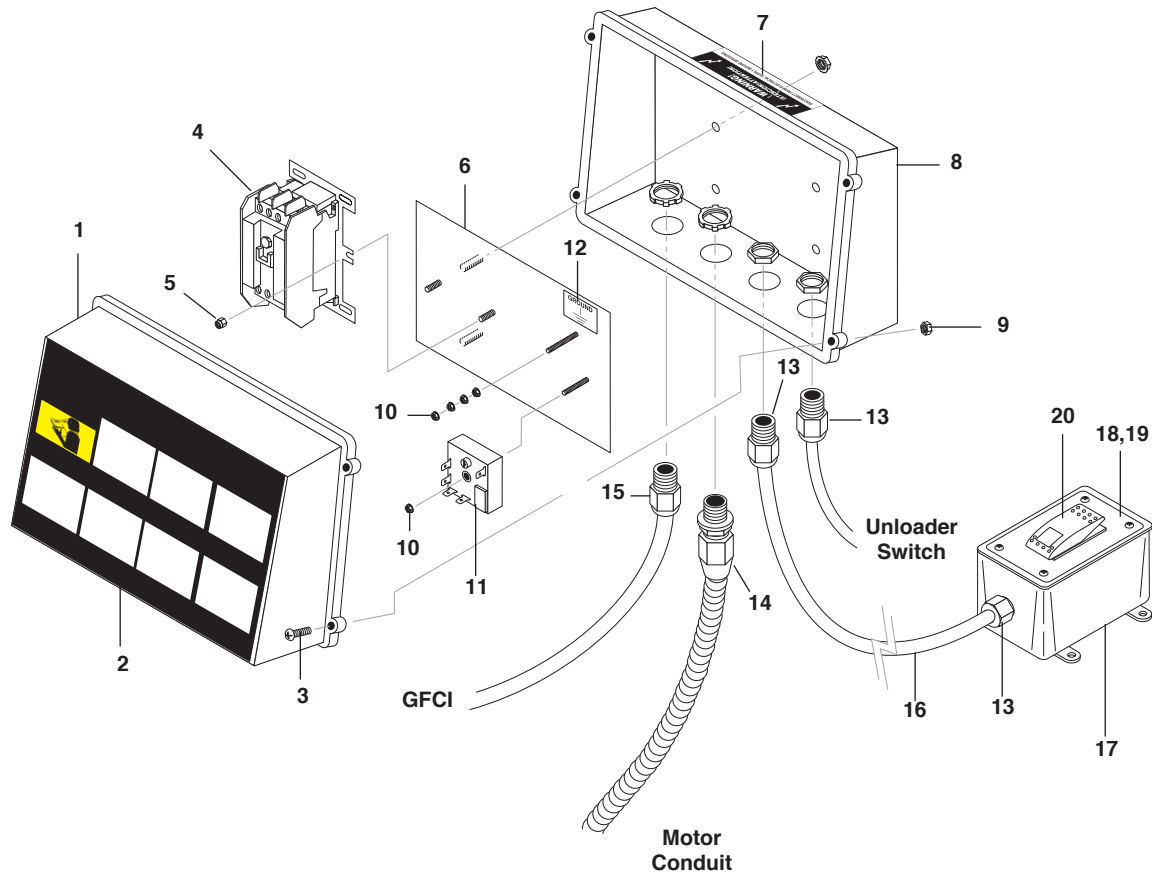
EXPLODED VIEW — ZEF, x2, +, MODELS & HOME DEPOT



PARTS LIST — ZEF, X2, PLUS MODELS & HOME DEPOT

ITEM	PART #	DESCRIPTION	QTY	ITEM	PART #	DESCRIPTION	QTY
1	9.802-431.0	GFCI, 120V 20 Amp	1	33	8.754-784.0	Apron Sticker Landa	1
2	9.802-259.0	Hose, 1/2" Push-On	15"	34	8.706-984.0	Adapter, 1/2" FPT x 1/2" MPT, Brass	1
3	8.754-709.0	Motor, 2 HP 1Ph, 115V, 1750 Rpm, 56C ODP	1	35	8.706-168.0	Elbow, 3/8" MPT-P/N TF3529X6 Steel	1
4	8.900-305.0	Label, Warning	1	36	8.757-064.0	Label, Cleaning Fee May Apply	1
5	9.802-776.0	Nut, 5/16" ESNA, NC	8			▲ Not Shown	
6	8.718-980.0	Washer, 5/16" Flat SAE (780452)	12				
7	9.802-171.0	Nipple, 3/8" x 3/8" Male	1				
8	9.802-873.0	Handle Assy, Black	1				
9	8.712-720.0	Unloader MG4000 3000PSI W/MICR	1				
10	See Page 9	For Nozzles Information					
11	9.802-064.0	Grommet, Rubber, Nozzle Holder	2				
12	9.803-277.0	Screw, 5/16" x 1/2" Whiz Loc Flange	4				
	9.803-551.0	Screw, 5/16" x 3/4" Whiz Loc Flange	4				
13	8.932-969.0	Label, Warning, Service Cord	1				
14	9.800-049.0	Label, Manufacturers Cleaning Solution	1				
15	9.802-063.0	Mount, Vibration, 5/16"-18 x 9/16" Stud, 30 Duro	4				
16	8.930-123.0	Label, For Indoor Use	1				
17	9.800-034.0	Label, Clear Lexan, 2-1/4" x 4-1/2"	1				
18	9.803-670.0	Pump Protector, 1/2" 190°	1				
19	9.802-807.0	Washer, 3/8" Flat SAE	4				
20	9.802-720.0	Bolt, 3/8" x 1", NC	4				
21	8.923-763.0	Pump, Landa LF2030S	1				
	8.923-805.0	Pump, Shark SF2030S	1				
	8.923-791.0	Pump, Kärcher KF2030S	1				
22	9.802-030.0	Elbow, 3/8" Street	1				
23	9.802-146.0	Swivel, 1/2" GHF	1				
24	9.802-127.0	Nipple, 1/2" JIC x 3/8"	1				
25	9.802-122.0	Tee, 1/2" Street	1				
26	9.802-131.0	Elbow, 1/2" JIC	1				
27	9.802-151.0	Swivel, 1/2" JIC	2				
28	9.802-517.0	Connector, 1/2" 90°	1				
29	9.802-448.0	Conduit, 1/2" Water Tight	30"				
30	8.715-975.0	▲ Wire, MTW 12 AWG, White	38"				
	8.715-980.0	▲ Wire, MTW 12 AWG, Green	38"				
	9.803-539.0	▲ Wire, MTW 12 AWG, Black	38"				
31	(See Page 12 For Nozzles Information)						
32	8.900-306.0	▲ Label, HH Elec Op/Warning Combo	1				

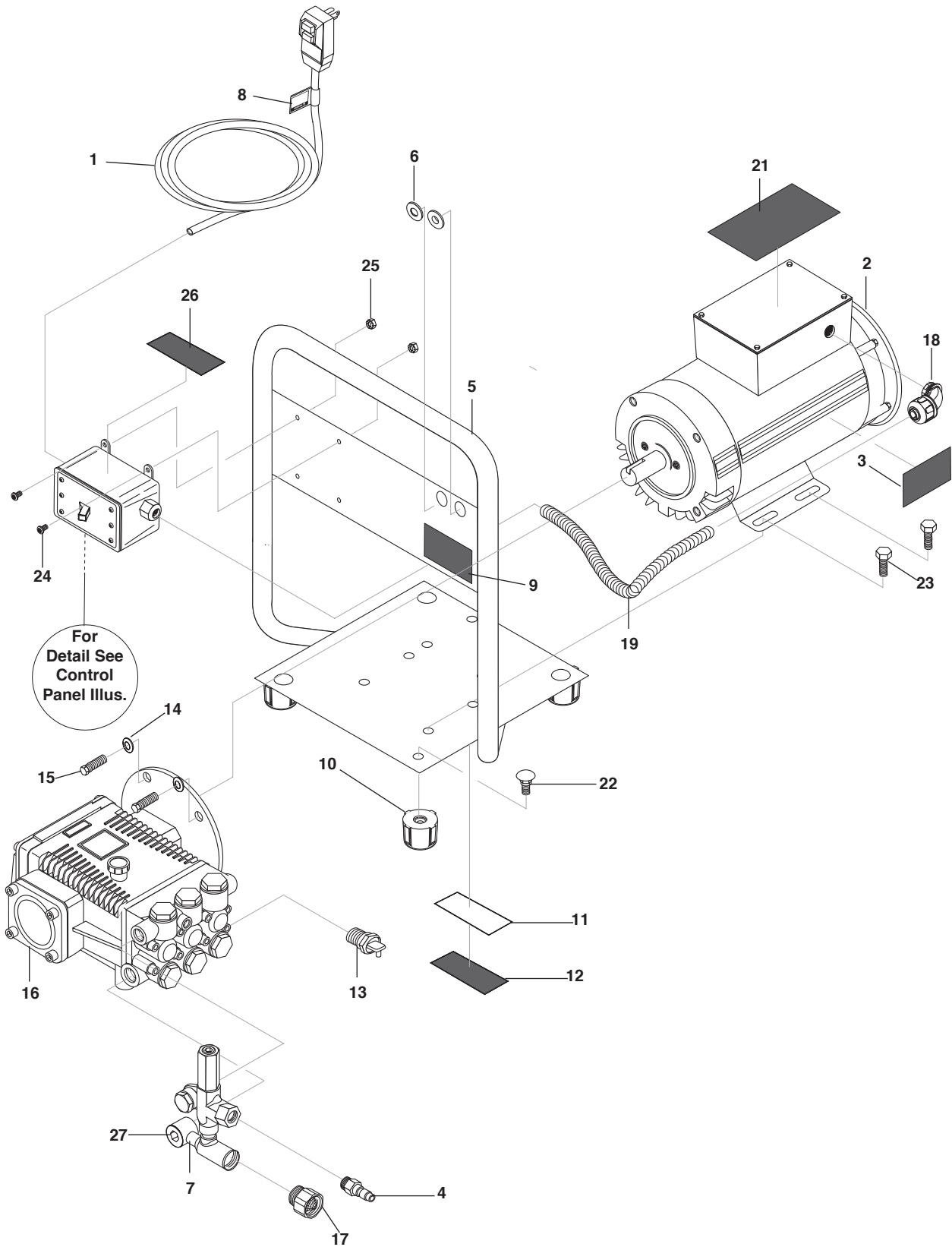
CONTROL PANEL — ZEF, x2, +, MODELS & HOME DEPOT



PARTS LIST — ZEF, X2, PLUS MODELS & HOME DEPOT

ITEM	PART NO.	DESCRIPTION	QTY	ITEM	PART NO.	DESCRIPTION	QTY
1	9.802-481.0	Box Front, Plastic, No Holes	1	12	9.800-040.0	Label, Ground	1
2	8.900-304.0	Label, Operation, Landa	1	13	9.802-514.0	Strain Relief 1/2"	3
	9.800-447.0	Label, Operation, Hotsy	1	14	8.716-547.0	Connector, 1/2" Straight, Black	1
	9.800-450.0	Label, Operation, Kärcher	1	15	8.752-969.0	Strain Relief, Lt, Str, 1/2 NPT 0.39-0.75ID	1
	8.750-882.0	Label, Operation, Shark	1	16	9.802-423.0	Cord, 16/3	10ft.
3	9.803-249.0	Screw, M4 x 10	4	17	9.802-477.0	Box, Plastic, Carlon	1
4	9.802-543.0	Contact, DP	1	18	8.900-840.0	Label, Remote Switch,	1
5	9.802-773.0	Nut, 1/4 ESNA	2	19	8.912-227.0	Plate, Remote Switch	1
6	8.911-910.0	Standoff, Elec. Box, ZE	1	20	9.802-451.0	Switch, Rocker w/Green Light	1
7	9.800-016.0	Label, Disconnect Power	1				
8	9.802-480.0	Box, Back, Plastic	1				
9	9.803-250.0	Nut, M4	4				
10	9.802-695.0	Nut, 10/32" Keps	11				
11	9.802-472.0	Timer, Solid State 120V	1				

EXPLODED VIEW – ET-301109D

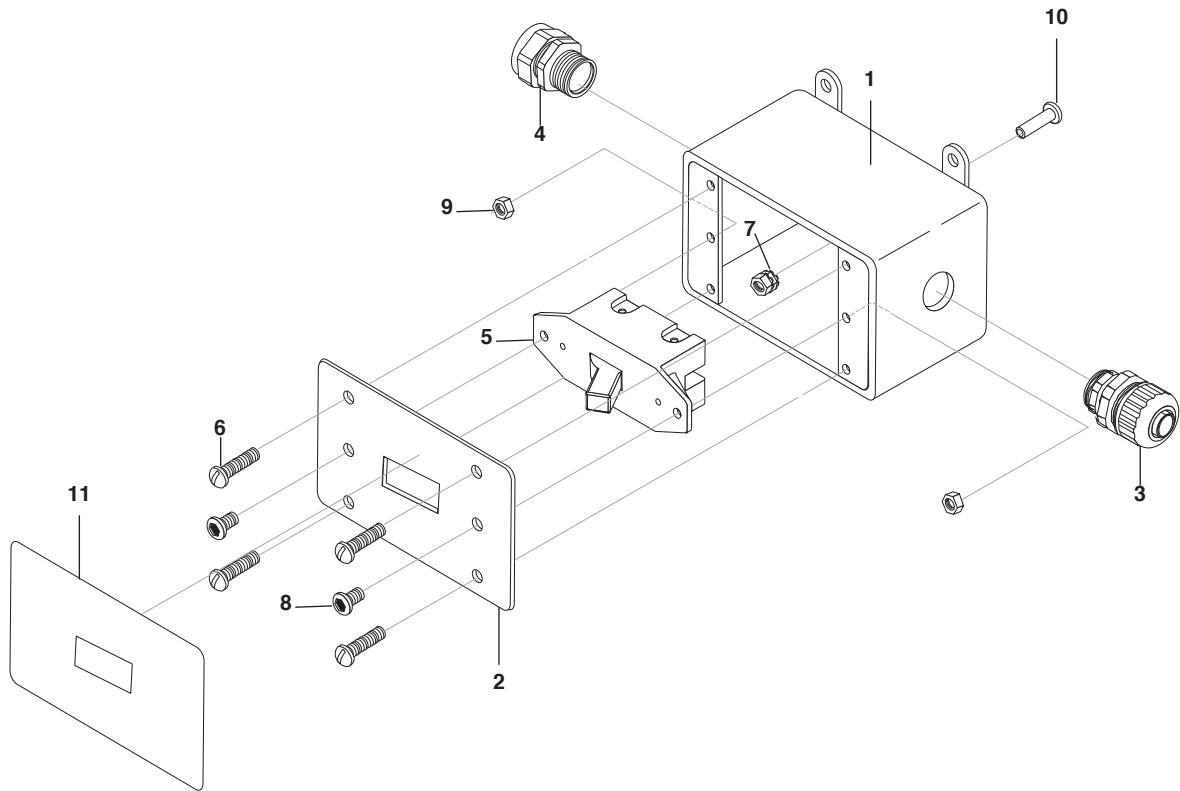


PARTS LIST — ET-301109D

ITEM	PART #	DESCRIPTION	QTY
1	9.802-431.0	GFCI, 120V 20 Amp	1
2	8.754-709.0	Motor, 2 HP 1Ph, 115V, 1750 Rpm, 56C ODP	1
3	8.900-305.0	Label, Warning	1
4	9.802-170.0	Coupler, 3/8" Plug, Female, Steel/Zinc	1
5	9.802-873.0	Handle Assy, Black	1
6	9.802-064.0	Grommet, Rubber, Nozzle Holder	2
7	8.754-696.0	Unloader, VBT Banjo 1/2M 3/8M, 3000PSI (Spare)	1
8	8.932-969.0	Label, Warning, Service Cord	1
9	9.800-049.0	Label, Manufacturers Cleaning Solution	1
10	9.183-405.0	Rubber Dampener 5/16"-18 Female 2001	4
11	8.930-123.0	Label, For Indoor Use	1
12	9.800-034.0	Label, Clear Lexan,	1
13	8.707-254.0	Pump Protector 3/8" 145 DEG	1
14	9.198-004.0	3/8 USS F/W Zinc	4
15	9.802-720.0	Bolt, 3/8" x 1", NC	4
16	8.923-779.0	Pump, Hotsy HF2830S, 2.8 @3000, 1725 RP	1
17	9.802-146.0	Swivel, 1/2" GHF	1
18	9.802-517.0	Connector, 1/2" 90°	1
19	9.802-448.0	Conduit, 1/2" Water Tight	15"
20	8.715-975.0	▲ Wire, MTW 12 AWG, White	30"
	8.715-980.0	▲ Wire, MTW 12 AWG, Green	30"
	9.803-539.0	▲ Wire, MTW 12 AWG, Black	30"
	8.716-376.0	▲ Terminal Ring Tonge, 10RC-10	4
21	9.800-447.0	Label, HH Elec Op/Warning Combo Hots	1
22	9.196-308.0	5/16-18 X 1/2 Carriage Bolt A307 BLK	4
23	9.803-277.0	Screw 5/16" x 1/2" Whiz Loc Flange	4
24	9.802-759.0	Screw, 10/32" x 1/2" Bhsoc BLK	4
25	9.802-695.0	Nut, 10/32" Kepts	4
26	9.800-016.0	Label, Disconnect Power Supply	1
27	8.706-865.0	Plug, 1/4" NPT Countersunk	1

▲ Not Shown

CONTROL PANEL — ET-301109D

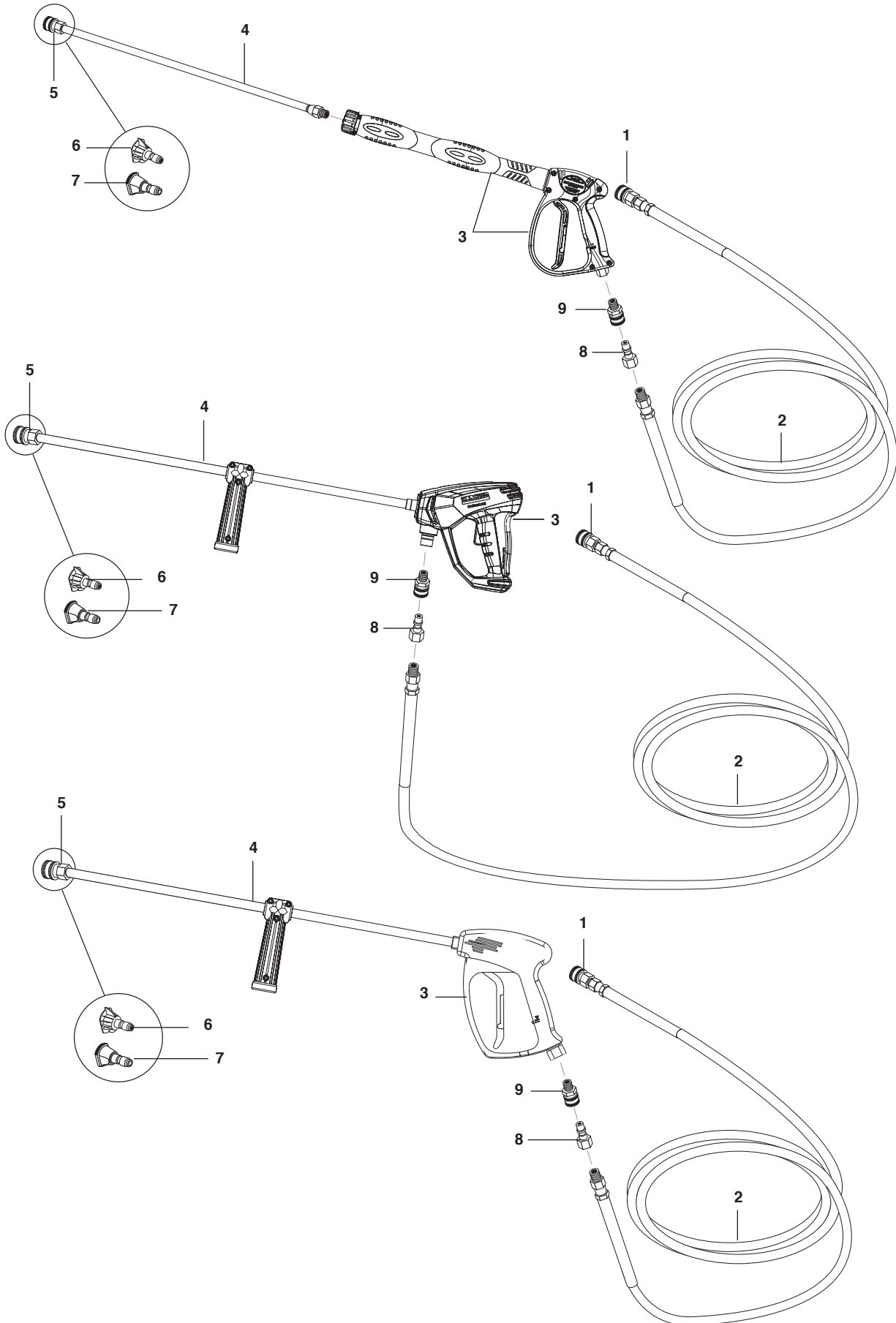


PARTS LIST — ZEF, X2, PLUS MODELS & HOME DEPOT

ITEM	PART NO.	DESCRIPTION	QTY
1	9.802-477.0 P.	Box, Plastic, Carlon E9801 w/o Lid	1
2	8.912-227.0	Plate, Switch Remote	1
3	8.716-547.0	Connector, 1/2 L/T Black	1
4	9.802-518.0	Strain Relief, Lt, Str, 3/4 Npt .49-.71D	1
5	8.716-053.0	Swicht, Toggle, 40A/230V	1
6	8.718-733.0	Screw, 6/32" X 5/8", Rnd HB MCH"	4
7	9.802-695.0	Nut, 10-32 UNF Keps	2
8	9.802-750.0	Screw 8-32 X 1/2 M Tpg Ph Pnh, Black	2
9	9.627-085.0	Nut, 8-32 Hex Nylock Ss	2
10	9.802-699.0	Screw, Pan Head, Slotted	1
11	8.900-840.0	Label, Remote Swich Home Depot	1
12	9.800-040.0	▲ Label, Ground Symbol	1

▲ Not Shown

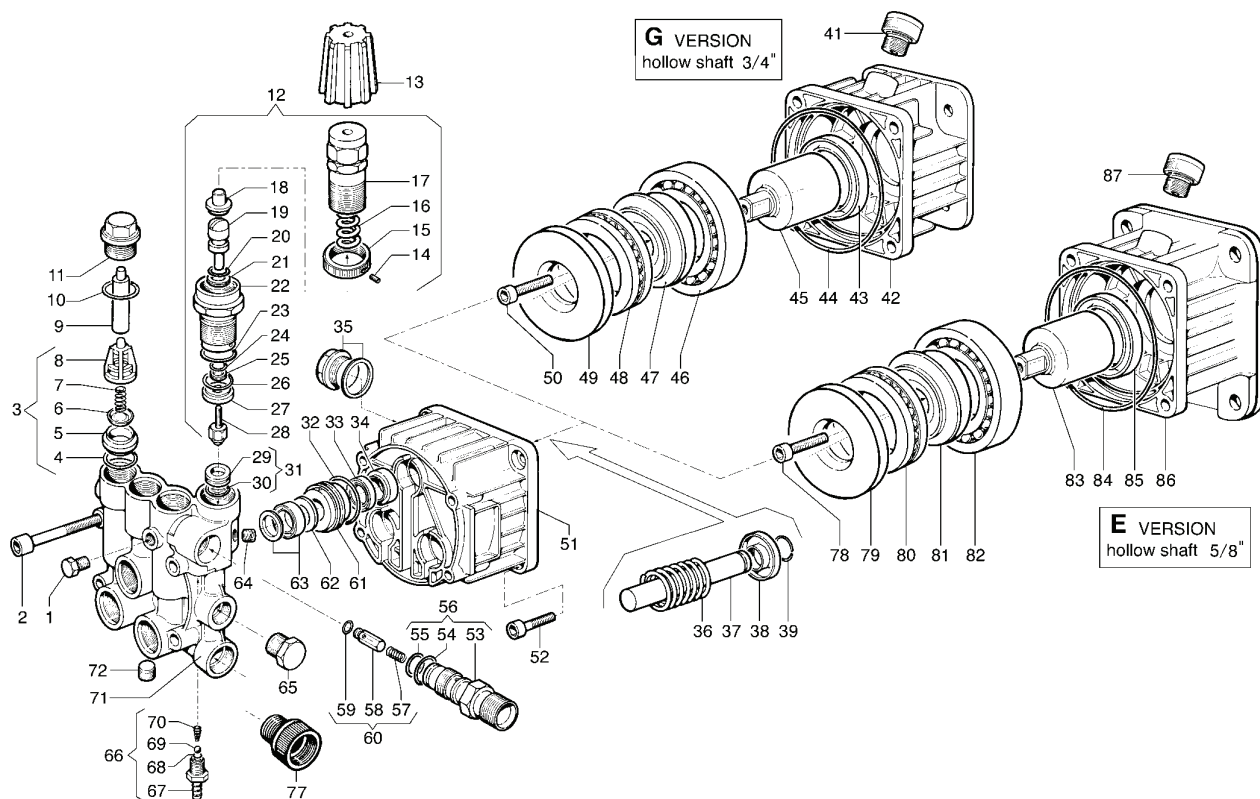
HOSE & SPRAY GUN ASSEMBLY



HOSE & SPRAY GUN ASSEMBLY PARTS LIST

ITEM	PART NO.	DESCRIPTION	QTY	ITEM	PART NO.	DESCRIPTION	QTY	
1	9.802-166.0	Coupler, 3/8" Female	1	6	8.712-346.0	Nozzle, SAQCMEG 1504, Yellow (024.0)	1	
	9.802-100.0	▲ Quick Coupler O-Ring	1		8.712-333.0	Nozzle, SAQCMEG 1503, Yellow (401.0, 066.0, 090.0, 088.0, 067.0, 089.0)	1	
2	8.925-137.0	Hose, 3/8" X 25' 1W 4000PSI SW/SO/CPL	1		9.804-624.0	Nozzle, SAQCMEG 150375 Yellow (400.0, 065.0, 023.0)	1	
	8.925-129.0	Hose, 3/8" X 50' 1W 4000PSI SW X SO (-107.0)	1		8.712-363.0	Nozzle, SAQCMEG (107.0) 2506, Green	1	
	8.925-138.0	HOSE, 3/8"X25' 1W 4000PSI SW/SO/CPL/NPL (-024.0)	1		7	8.712-398.0	Nozzle Compl, QCEM-6540 Brass (Chem) (All Model except 107.0)	1
3	8.754-769.0	MV925 Gun 4500 PSI, 3/8" NPT INLET (024.0,089.0,066.0,065.0,067.0)	1		8	9.802-170.0	Nipple, 3/8" NPT Female	1
	8.751-235.0	Hotsy H1050, (107.0) 5000 PSI 10.4 GPM (107.0)	1		9	9.802-169.0	Coupler, 3/8 Male	1
	4.775-054.0	EASY!Force Advanced KNA (023.0,090.0,401.0,088.0,)	1		▲ Not Shown			
4	9.112-533.0	Lance-AL Quick Connect-Male 3000 PSI	1					
	8.783-039.0	Wand 30" Zinc Plated, (107.0,023.0,090.0,401.0, 400.0,088.0) Handle & Coupler	1					
5	9.802-164.0	Coupler, 1/4" Female	1					
	9.802-096.0	▲ Quick Coupler O-Ring	1					

AXD PUMP EXPLODED VIEW



AXD PUMP EXPLODED VIEW PARTS LIST

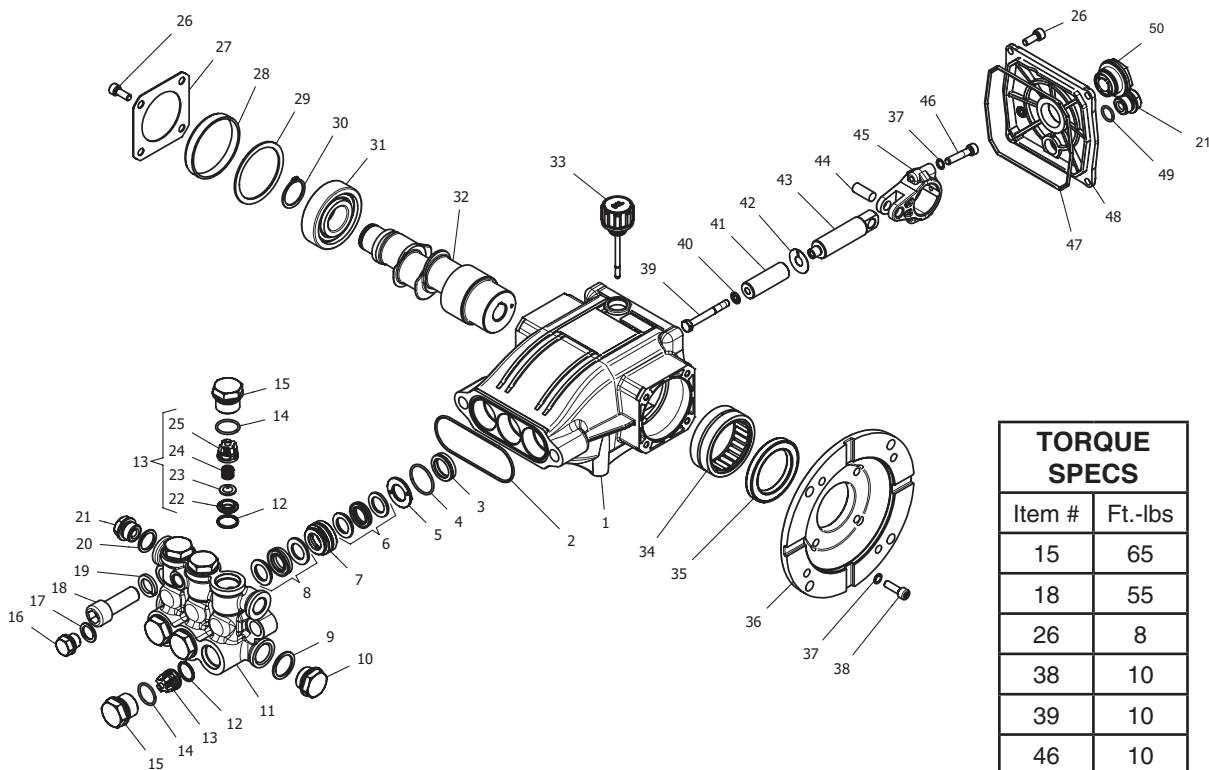
ITEM	PART #	DESCRIPTION	KIT	QTY	ITEM	PART #	DESCRIPTION	KIT	QTY
1		Cap, 1/8"		1	23		O-Ring	E-F	1
2		Screw M8x55		4	24		O-Ring	E-F	1
3	8.721-936.0	Valve Kit		6	25		Ring	E-F	1
4	8.721-920.0	O-Ring, 1.78 x 12.42 A-D		6	26		O-Ring	E-F	1
5		Valve Seat	A	6	27		Ring	E-F	1
6		SUC/DEL Valve	A	6	28	8.721-956.0	Housing with Ball	E-F	1
7		Spring	A	6	29		Seat	E-F	1
8		Valve Cage	A	6	30		O-Ring	E-F	1
9		Spacer		2	31	8.721-957.0	Valve Seat		1
10		O-Ring, 1.78 x 17.77 A-D		6	32		O-Ring, 1.78 x 25.12 B-D		3
11		Plug		6	33	8.721-939.0	Piston Seal Ø14	B	3
12	8.721-935.0	Reg Val Kit for AX 180 Bar		1	34	8.721-899.0	Sealing Ring	D	3
13	9.841-646.0	Knob		1	35	8.721-965.0	Oil Level Plug		1
14	8.718-555.0	Stop, Adjustable Nut, M4x4	E	1	36		Spring		3
15	8.718-546.0	Nut	E	1	37	8.915-527.0	Piston	C	3
16	8.721-940.0	Spring,	E	1	38	8.721-892.0	Ring	C	3
17	8.721-906.0	Adjustable Knob	E	1	39	8.721-891.0	Ring Ø14	C	3
18		Seat	E	1	51		Pump Crankcase		1
19		Piston Rod	E-F	1	52		Screw M8x20		4
20		O-Ring	E-F	1	53		Injector Body M22 x 1.5	E	1
21		Ring	E-F	1		8.718-554.0	Injector Body, 3/8 NPT	E	1
22		Housing	E	1	54	8.721-920.0	O-Ring 1.78 x 12.42 D-E-F		1
					55		O-Ring, 1.78 x 15.6	E-F	1

AXD PUMP EXPLODED VIEW PARTS LIST

ITEM	PART NO.	DESCRIPTION	KIT	QTY
56	8.721-974.0	Injector Body Kit M22x 1.5		1
		Injector Body Kit 3/8 NPT		1
57		Spring	E	1
58		Check Valve	E	1
59		O-Ring	E-F	1
60	8.721-948.0	Check Valve Kit		1
61	8.739-570.0	Ring		3
62	8.739-571.0	Ring	B	3
63	8.739-574.0	Piston Seal 150 Bar (2520G, 3020G, 3522G)	B	3
		Piston Seal 180 Bar (3025G)	B	3
64		Plug 1/8 x 8		1
65		Plug 3/8 Gas OT58		1
66	8.718-551.0	Injector Kit		1
67		Hose Barb Fitting		1
68		O-Ring		1
69	8.739-577.0	Ball		1
70	8.739-575.0	Spring		1
71	8.718-553.0	Pump Valve Chamber		1
72		Plug 1/8 x 8		1
77		Garden Hose Tail		1

Kit A	8.721-997.0	Complete Valve Kit
Kit B	8.721-988.0	Piston Seal Kit, 150 Bar
	8.721-989.0	Piston Seal Kit, 180 Bar
Kit C	8.721-949.0	Piston Kit
Kit D	8.721-990.0	Seal Kit
Kit E	8.722-000.0	Overhaul Kit, M22 x 1.5
	8.722-001.0	Overhaul Kit, 3/8" NPT
Kit F	8.722-002.0	Maintenance Kit

LF SERIES PUMP EXPLODED VIEW



TORQUE SPECS	
Item #	Ft.-lbs
15	65
18	55
26	8
38	10
39	10
46	10
48	13

LF SERIES PUMP PARTS LIST

ITEM	PART NO.	DESCRIPTION	QTY	ITEM	PART NO.	DESCRIPTION	QTY
1	8.754-841.0	Crankcase	1	19	8.754-850.0	Washer, Lock	2
2	8.754-846.0	O-ring Ø1.78 X 72.75	1	20	9.803-198.0	Washer, Copper G3/8	1
3*	See Kits Below Plunger Oil Seal		3	21	8.707-262.0	Plug, Brass G3/8	2
4*	See Kits Below O-ring Ø1.78 X 26.7		3	22*	See Kits Below Valve Seat		6
5*	See Kits Below Washer, Pressure Ring		3	23*	See Kits Below Valve Plate		6
6*	See Kits Below U-Seal		3	24*	See Kits Below Valve Spring		6
7*	See Kits Below Pressure Ring		3	25*	See Kits Below Valve Cage		6
8*	See Kits Below U-Seal		3	26	9.802-939.0	Screw, M6 X 16	8
9	9.803-199.0	Washer, Copper G1/2	1	27	8.717-137.0	Bearing Cover	1
10	9.802-926.0	Plug, Brass G1/2	1	28	9.803-954.0	Bearing Seal	1
11	8.754-852.0	Manifold (16mm Models)	1	29	8.754-843.0	Seal Spacer, Crankshaft	1
	8.754-853.0	Manifold (14mm Models)	1	30	9.802-914.0	Snap Ring, 25 mm	1
12*	8.717-233.0	O-ring Ø1.78 X 15.6	6	31	9.803-955.0	Bearing, Ball	1
13*	See Kits Below Valve Assembly		6	32	8.754-836.0	Shaft, 5/8" Hollow	1
14*	9.803-948.0	O-ring Ø1.78 X 18.77	6	33	8.754-219.0	Oil Dipstick	1
15	9.803-949.0	Valve Plug	6	34	8.754-840.0	Bearing Needle	1
16	8.754-851.0	Plug, Brass G1/4 (16mm)	1	35	8.754-826.0	Seal, Crankshaft	1
17	8.754-845.0	Washer, Copper G1/4 (16mm Models)	1	36	8.754-844.0	Flange, Motor	1
18	8.754-854.0	Bolt, Manifold M14 X 40	2	37	9.803-210.0	Washer	10
				38	8.752-824.0	Screw, 6 mm	4

LF SERIES PUMP PARTS LIST

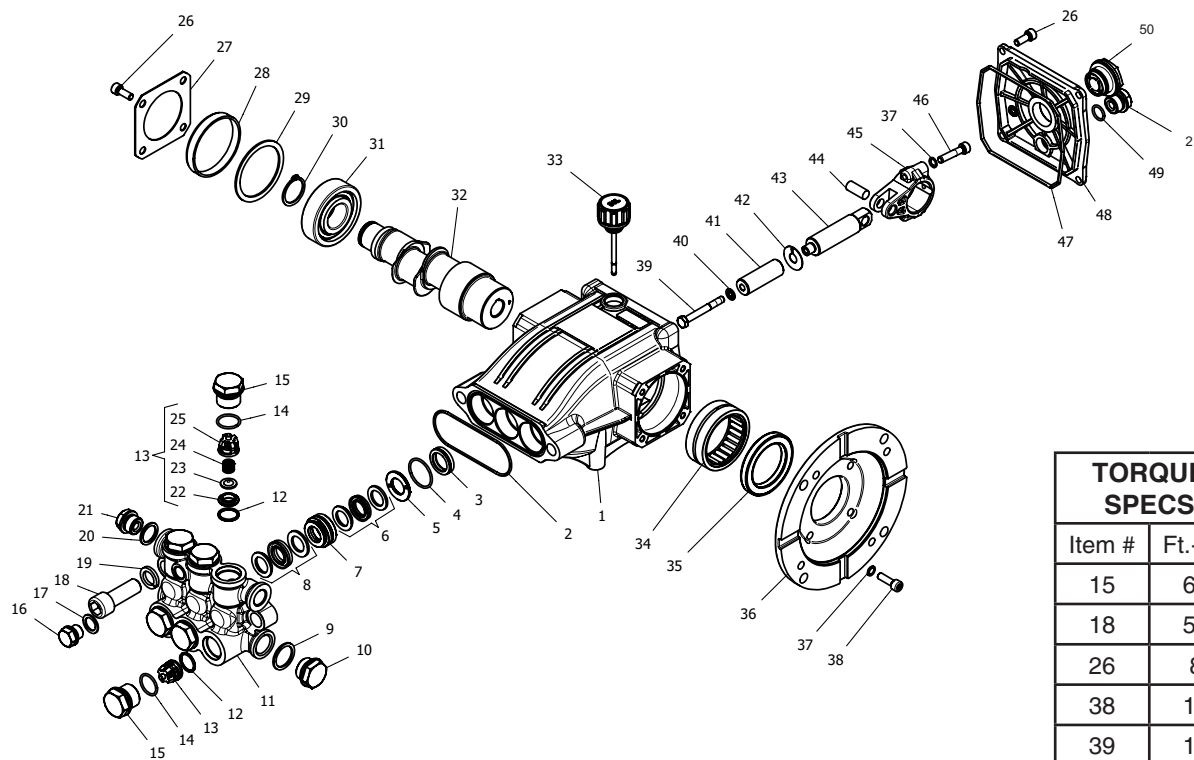
ITEM QTY	PART NO.	DESCRIPTION	
39*	8.754-855.0	Bolt, Plunger	3
40*	8.754-092.0	Spacer, Copper	3
41	8.754-848.0	Plunger, 16mm	3
42	9.803-962.0	Spacer, Copper	3
43	8.754-827.0	Plunger Rod	3
44	9.803-965.0	Connecting Rod Pin	3
45	9.803-966.0	Connecting Rod	3
46	8.933-020.0	Screw, Connecting Rod	6
47	8.754-847.0	O-ring Ø2.62 X 111.62	1
48	8.754-842.0	Cover, Crankcase	1
49	9.803-906.0	O-ring Ø1.78 X 14	1
50	9.803-202.0	Sight Glass, G3/4	1

*Included in kit

REPAIR KIT NUMBER	8.754-860.0	8.754-856.0	8.754-861.0	8.754-857.0	8.754-862.0	8.754-858.0	8.754-859.0	9.803-937.0
KIT DESCRIPTION	Plunger Seals 14 mm**	Plunger Seals 16 mm**	Seal Packing 14 mm**	Seal Packing 16 mm**	Plunger 14 mm**	Plunger 16 mm**	Complete Valve	Plunger Oil Seals
ITEM NUMBERS INCLUDED	4, 6, 8	4, 6, 8	4, 5, 6, 7, 8	4, 5, 6, 7, 8	39, 40, 41, 42	39, 40, 41, 42	12, 13, 14	3
NO. OF CYLINDERS KIT WILL SERVICE	3	3	1	1	1	1	6	3

HF SERIES PUMP EXPLODED VIEW

8.923-779.0 HF2830S.1



TORQUE SPECS	
Item #	Ft.-lbs
15	65
18	55
26	8
38	10
39	10
46	10

HF SERIES PUMP EXPLODED VIEW PARTS LIST

ITEM	PART NO.	DESCRIPTION	QTY
1	8.754-841.0	Crankcase	1
2	8.754-846.0	O-ring Ø1.78 X 72.75	1
3*	See Kit Below	Plunger Oil Seal	3
4*	See Kit Below	O-ring Ø1.78 X 26.7	3
5*	See Kit Below	Washer, Pressure Ring	3
6*	See Kit Below	U-Seal	3
7*	See Kit Below	Pressure Ring	3
8*	See Kit Below	U-Seal	3
9	9.803-199.0	Washer, Copper G1/2	1
10	9.802-926.0	Plug, Brass G1/2	1
11	8.754-852.0	Manifold	1
12*	8.717-233.0	O-ring Ø1.78 X 15.6	6
13*	See Kit Below	Valve Assembly	6
14*	9.803-948.0	O-ring Ø1.78 X 18.77	6
15	9.803-949.0	Valve Plug	6
16	8.754-851.0	Plug, Brass G1/4	1
17	8.754-845.0	Washer, Copper G1/4	1
18	8.754-854.0	Bolt, Manifold M14 X 40	2
19	8.754-850.0	Washer, Lock	2
20	9.803-198.0	Washer, Copper G3/8	1
21	8.707-262.0	Plug, Brass G3/8	2
22*	See Kits Below	Valve Seat	6

ITEM	PART NO.	DESCRIPTION	QTY
23*	See Kits	Below Valve Plate	6
24*	See Kits	Below Valve Spring	6
25*	See Kits	Below Valve Cage	6
26	9.802-939.0	Screw, M6 X 16	8
27	8.717-137.0	Bearing Cover	1
28	9.803-954.0	Bearing Seal	1
29	8.754-843.0	Seal Spacer, Crankshaft	1
30	9.802-914.0	Snap Ring, 25 mm	1
31	9.803-955.0	Bearing, Ball	1
32	8.754-835.0	Shaft, 5/8" Hollow 2030F	1
	8.754-836.0	Shaft, 5/8" Hollow 2030S	1
	8.754-837.0	Shaft, 5/8" Hollow 2830F	1
	8.754-838.0	Shaft, 5/8" Hollow 2830S	1
	8.754-839.0	Shaft, 5/8" Hollow 3530F	1
33	8.754-219.0	Oil Dipstick	1
34	8.754-840.0	Bearing Needle	1
35	8.754-826.0	Seal, Crankshaft	1
36	8.754-844.0	Flange, Motor	1
37	9.803-210.0	Washer	10
38	8.752-824.0	Screw, 6 mm	4
39*	8.754-855.0	Bolt, Plunger	3
40*	8.754-092.0	Spacer, Copper	3

HF SERIES PUMP EXPLODED VIEW PARTS LIST

ITEM	PART NO.	DESCRIPTION	QTY
41	8.754-848.0	Plunger, 16mm (2030S, 2830S)	3
	8.754-849.0	Plunger, 14mm (2030F, 2830F, 3530F)	3
42	9.803-962.0	Spacer, Copper	3
43	8.754-827.0	Plunger Rod	3
44	9.803-965.0	Connecting Rod Pin	3
45	9.803-966.0	Connecting Rod	3
46	8.933-020.0	Screw, Connecting Rod	6
47	8.754-847.0	O-ring Ø2.62 X 111.62	1
48	8.754-842.0	Cover, Crankcase	1
49	9.803-906.0	O-ring Ø1.78 X 14	1
50	9.803-202.0	Sight Glass, G3/4	1

*Included in Kit

REPAIR KITS

REPAIR KIT NUMBER	8.754-860.0	8.754-856.0	8.754-861.0	8.754-857.0	8.754-862.0	8.754-858.0	8.754-859.0	9.803-937.0
KIT DESCRIPTION	Plunger Seals 14 mm	Plunger Seals 16 mm	Seal Packing 14 mm	Seal Packing 16 mm	Plunger 14 mm	Plunger 16 mm	Complete Valve	Plunger Oil Seals
ITEM NUMBERS INCLUDED	4, 6, 8	4, 6, 8	4, 5, 6, 7, 8	3, 4, 5, 6, 7	39, 40, 41, 42	39, 40, 41, 42	12, 13, 14	3
NO. OF CYLINDERS KIT WILL SERVICE	3	3	1	1	1	1	6	3