

Small Concrete Saw



MODEL:
C1318P



IV. PARTS LIST SECTION

Common Replacement Parts

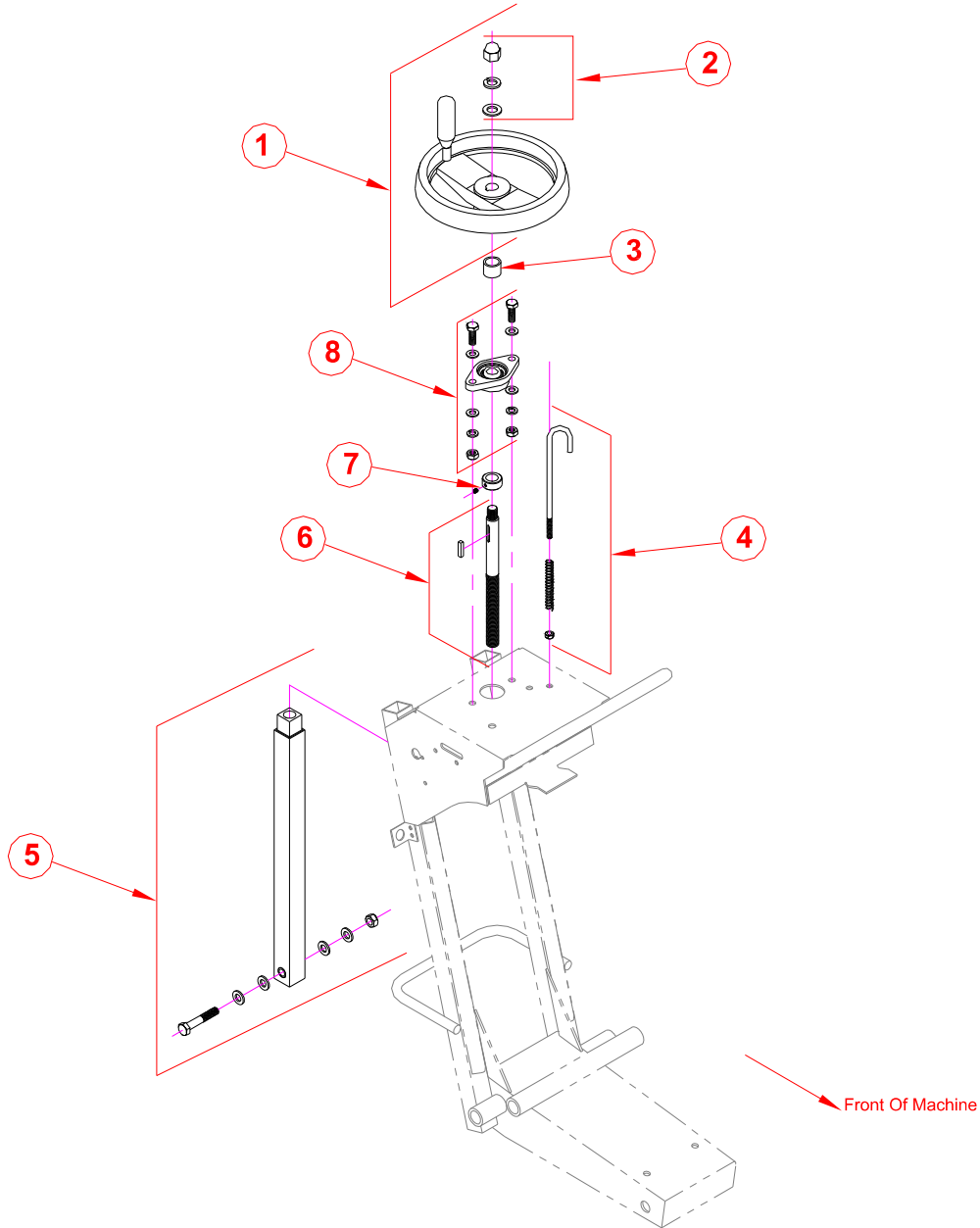
Description	UPC	Part Number
BELT Poly-V 10 PK 698MM	70184643371	232344
Blade Shaft Nut $\frac{3}{4}$ -16 Left Hand Thread (Operators Right Side Of Saw)	70184673903	227156
Blade Shaft Nut $\frac{3}{4}$ -16 Right Hand Thread (Operators Left Side Of Saw)	70184674346	227191
Collar Tight (Operators Right Side)	70184673904	227159
Collar Tight (Operators Left Side)	70184674352	227190
Collar Loose Assembly (With Pin)	70184674082	227247
Drive Pin \varnothing 3/8 x 1	70184674556	227154
Water Tank Complete C1318P	00310351798	232356
Bearing Blade Shaft W/Hardware (1)	00310004295	72474
Front Wheel Complete W/Hardware (1)	00310006552	82786
Rear Wheel (1)	00310005495	80991
Wrench 1-1/2"	70184649317	105377
Wrench 32mm	70184681049	82910
Wrench 17mm	70184655806	72279

NOTE: All Parts Are Sold As Individual (each) Unless Noted Otherwise

Blades Use Only Clipper Diamond Blades.

All parts are designated as either Service Parts (S) or Wear Parts (W) in the Type column in the parts listing. Wear parts are worn out through normal use of the machine. The wear period depends on the intensity of use of the machine, handling, and maintenance of the machine. Wear parts must be serviced and eventually changed following the indications of the manufacturer. Any wear due to normal use of the machine will not be considered as a case of warranty for items designated as Wear Parts (W). For best performance and life Genuine Norton Clipper replacement parts should always be used. Changes to part specifications, are subject to change with out notice.

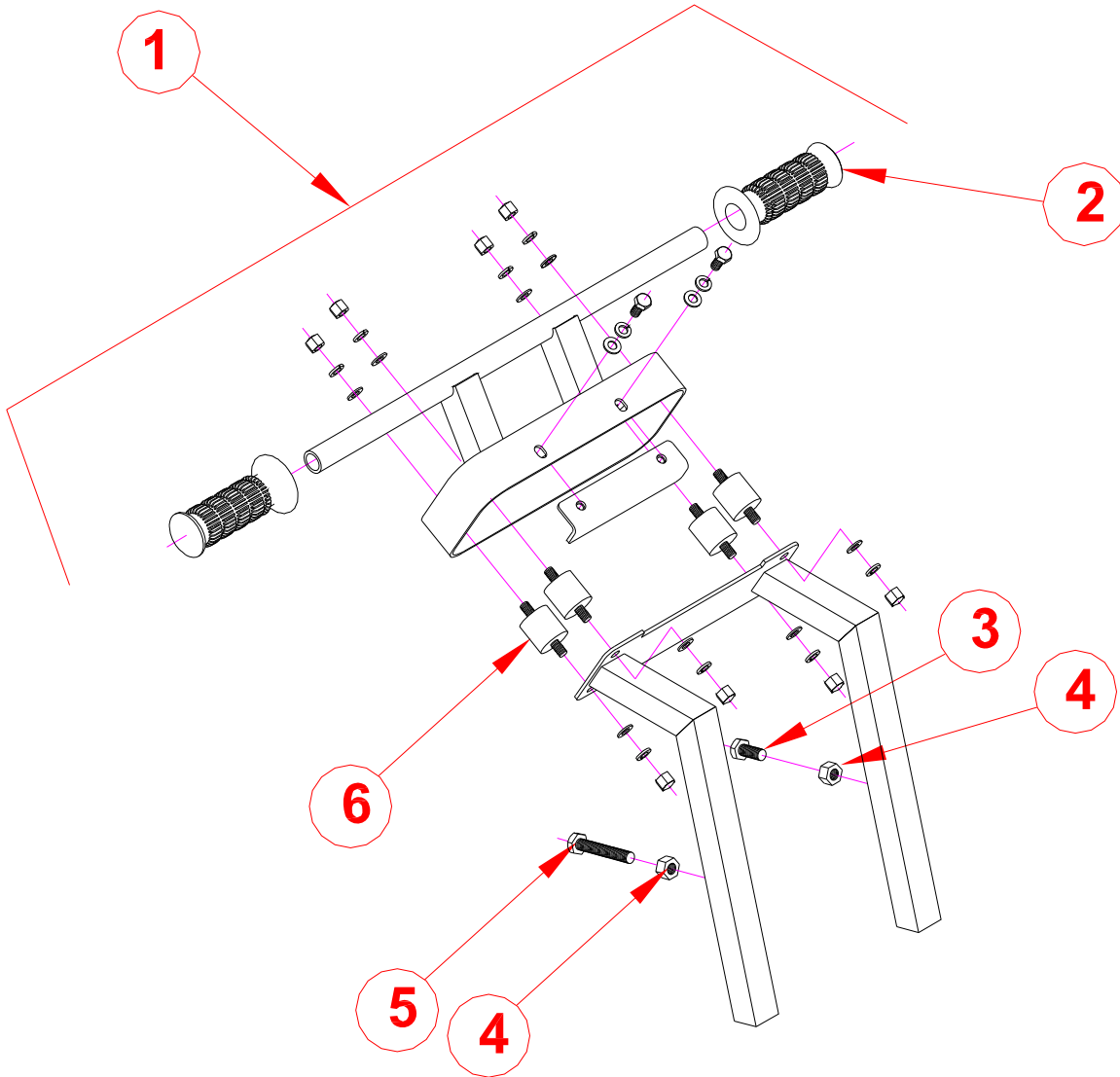
Depth Control and Depth Lock Group



Item	UPC No	Part No	Description	QTY	Type	NOTES
1	00310004840	076357	HANDWHEEL AND HANDLE	1	S	Includes: Handle and Hardware
2	00310004966	076843	NUT HANDWHEEL	1	S	Includes: Acorn Nut, and Washers
3	70184643370	048620	SPACER 28x22x22	1	S	
4	00310327609	232349	WHEEL HOOK + SPRING CS 501	1	S	Includes: Hook, Spring, and Nut
5	00310006553	082787	TUBE DEPTH CTRL W/HARDWARE	1	S	Includes: Depth Tube and Hardware
6	00310006554	082788	RAISE SCREW C13/C13P18/C1318P	1	S	Includes: Raise Screw and Key
7	00310006555	082789	RING STOP DEPTH CONTROL	1	S	Includes: Set Collar and Set Screw
8	00310004907	076670	BEARING FLG KIT DEPTH CONTROL	1	W	Includes: Bearing and Hardware

Type: S = Service Part, W = Wear Part, All Parts Are Sold As Individual (each) Unless Noted Otherwise

Handle Bar Group

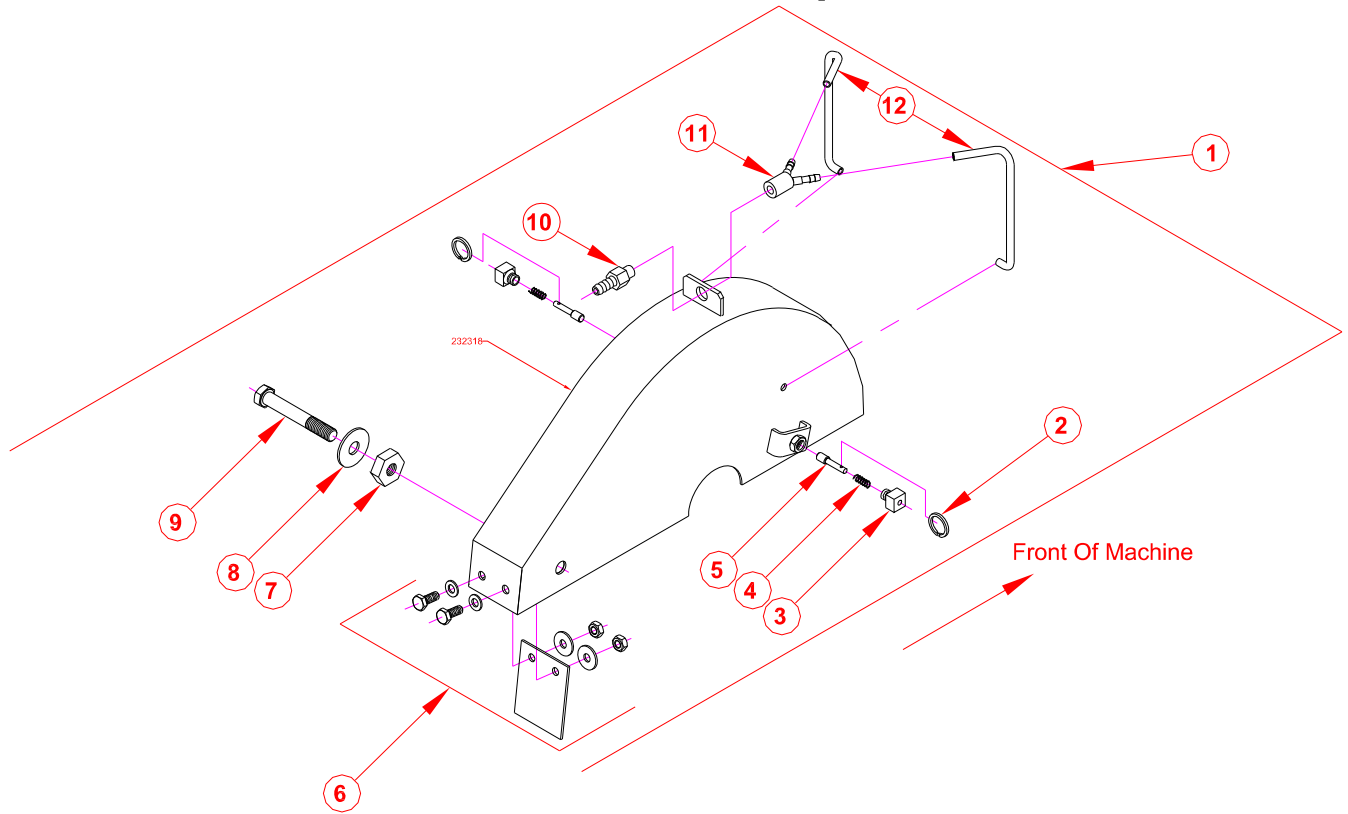


Item	UPC No	Part No	Description	QTY	Type	NOTES
1	70184643284	232313	HANDLE BAR ASSEMBLY C1318P	1	S	Includes: Handle Bar Frame (Upper and Lower), Hand Grips (2), Vibration Absorber Kit (4), and Hardware
2	00310004190	072097	GRIP HANDLE	2	S	Sold As Each. Appearance May Vary
3	70184600809	027021	SCR M10 X 25 8.8 DIN933	1	S	
4	70184681615	027006	NUT M10 1.5 DIN934	2	S	
5	70184627482	237242	SCR M10 X 50 1.5 DIN933	1	S	
6	00310353381	232350	VIBRATION ABSORBER KIT (4) C1318P	1	W	Includes: Set of Four (4) Silent Bock and Mounting Hardware

Type: S = Service Part, W = Wear Part, All Parts Are Sold As Individual (each) Unless Noted Otherwise

NOTE: In order for the Vibration Reduction System to function properly the Acorn Nuts towards the operator are torque to 0.27 lb-feet (4Nm). The Acorn Nuts on the bottom of the handle bars are fully tightened. Over tightening of the Operator Size Acorn Nuts will prevent the Vibration Reduction System from functioning.

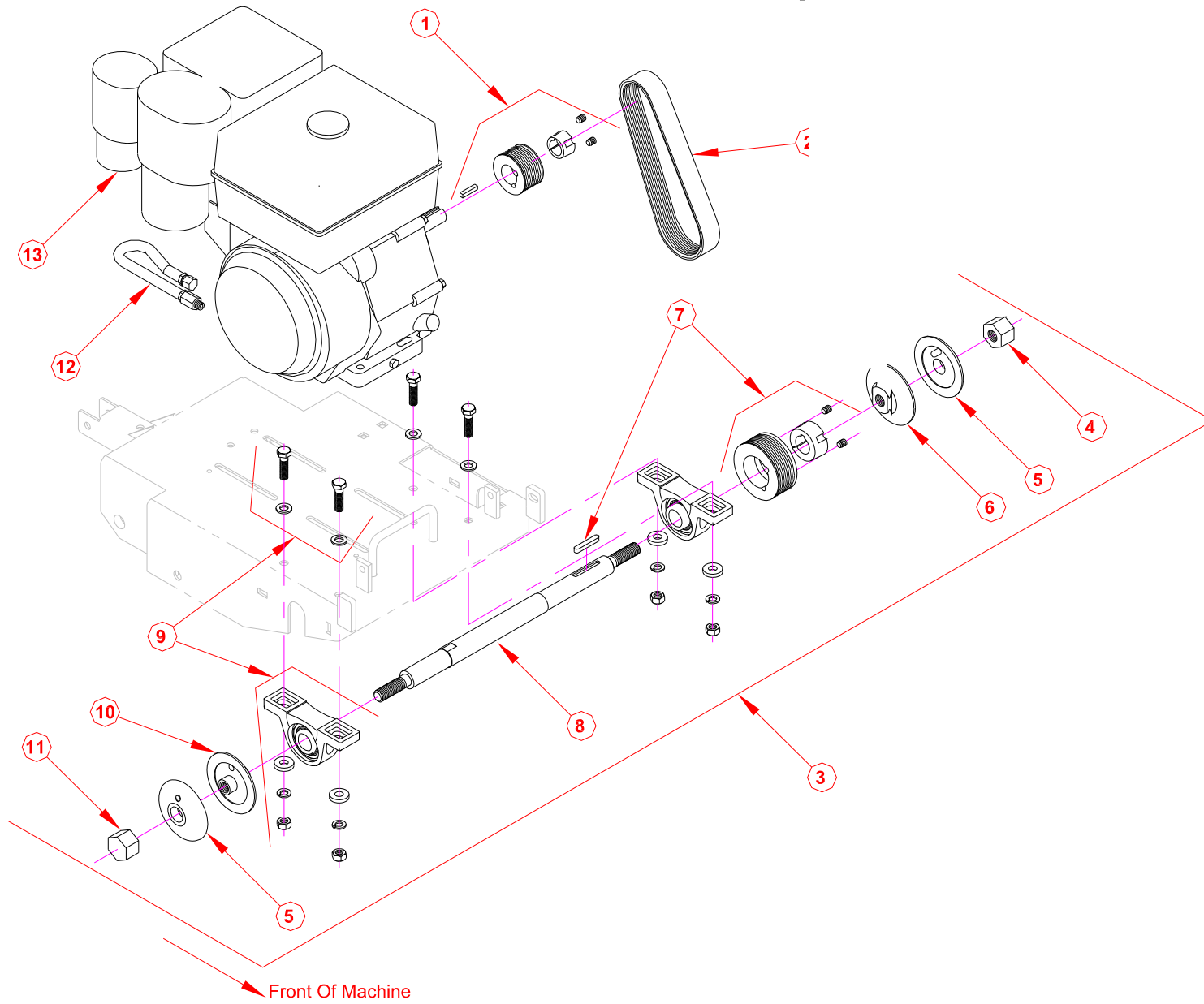
Blade Guard Group



Item	UPC No	Part No	Description	QTY	Type	NOTES
1	70184643285	232317	BLADE GUARD ASSEMBLY C1318P	1	S	Includes: Items 2 (2x), 3 (2x), 4 (2x), 5 (2x), 6, 7, 8, and 9
2	70184628500	238222	PIN GUARD LOCK	2	S	
3	70184628501	238223	RING GUARD LOCK	2	S	
4	70184628499	238224	SPRING GUARD LOCK	2	W	
5	70184628498	238225	GUARD LOCK	2	S	
6	00310006566	082800	GUARD SPLASH KIT	1	W	Includes: Splash Guard and Hardware
7	00310007020	083366	NUT HEX M15 X 38MM	1	S	
8	70184643255	232351	WASHER M16 FENDER DIN9021	1	S	
9	00310007021	083367	BOLT BLADE GUARD	1	S	
10	70184650465	9600014	FIT BARB HOSE 1/4MPTX1/2	1	S	
11	00310004233	072286	FIT HOSE Y	1	S	
12	70184681299	082998	NOZZEL WATER (2) C13/C1318P/C1318P/C13E/C9E	1	S	Set of two (2) Nozzles 5/16" ID x 7/16" OD x 10" Long

Type: S = Service Part, W = Wear Part, All Parts Are Sold As Individual (each) Unless Noted Otherwise

Blade Shaft Group

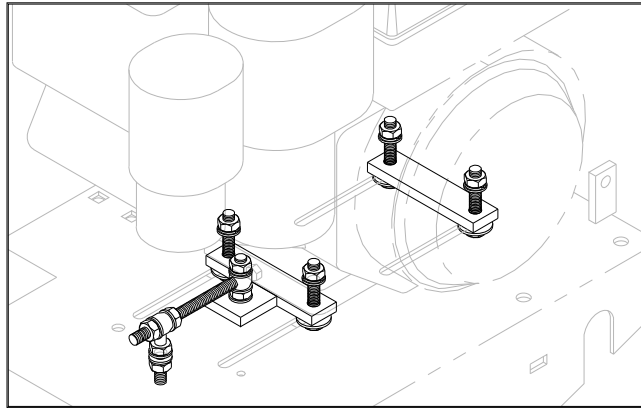


Blade Shaft Group

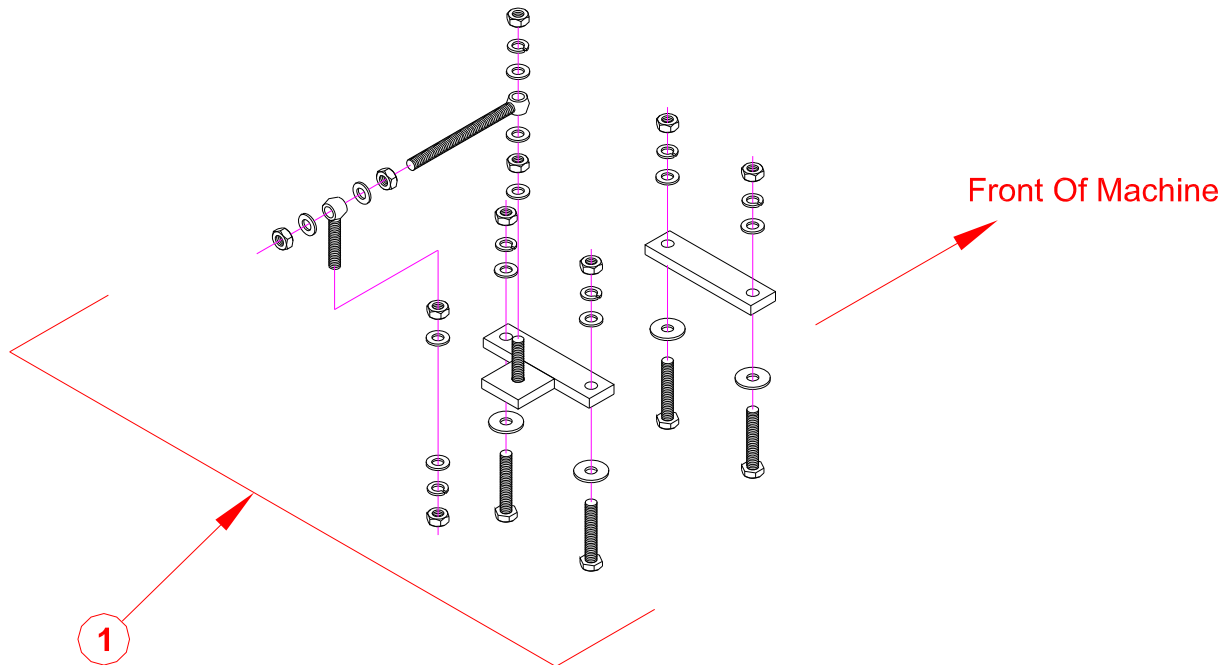
Item	UPC No	Part No	Description	QTY	Type	NOTES
1	70184643291	232352	PULLEY ENGINE KIT C1318P	1	S	Includes: Pulley, Bushing, Set Screws, and Key
2	70184643371	232344	BELT POLY-V 10 PK 698MM	1	W	
3	70184643372	232357	SHAFT BLADE ASSEMBLY C1318P	1	S	Includes: Items 4, 5 (2x), 6, 7, 8, 9 (2x), 10, and 11 NOTE: Does Not Include Belt
4	70184674346	227191	BLADE SHAFT NUT 3/4-16 RH THREAD	1	S	Operator's Left Side - Right Hand Thread
5	70184674082	227247	ASSY OUTER FLANGE (LOOSE)	2	S	Includes: Collar and Drive Pin
-NA-	70184674556	227154	PIN DRIVE (GROOVED) 3/8X1	2	W	
6	70184674352	227190	COLLAR TIGHT LEFT SIDE RH	1	S	Operator's Left Side - Right Hand Thread
7	70184643373	232353	PULLEY BLADE SHAFT KIT C1318P	1	S	Includes: Pulley, Bushing, Set Screws, and Key
8	00310007070	083421	BLADE SHAFT C13P18/C1318P	1	S	Blade Shaft Only
9	00310004295	072474	BEARING BLADE SHAFT (1) W/HARDWARE	2	W	Includes: One (1) Bearing, and Hardware
10	70184673904	227159	COLLAR TIGHT RIGHT SIDE LH	1	S	Operator's Right Side - Left Hand Thread
11	70184673903	227156	NUT BLADE SHAFT 3/4-16 LH THREAD	1	S	Operator's Right Side - Left Hand Thread
12	70184628179	238057	OIL DRAIN HOSE ASSY 13HP HONDA	1	S	
13	70184671620	123327	ENG 13HP HONDA GX390K1QXC9	1	S	Engine Only
N/A	70184676096	123328	AIR FILTER HONDA 11-13HP	1	W	

Type: S = Service Part, W = Wear Part, All Parts Are Sold As Individual (each) Unless Noted Otherwise

Belt Tensioning Group



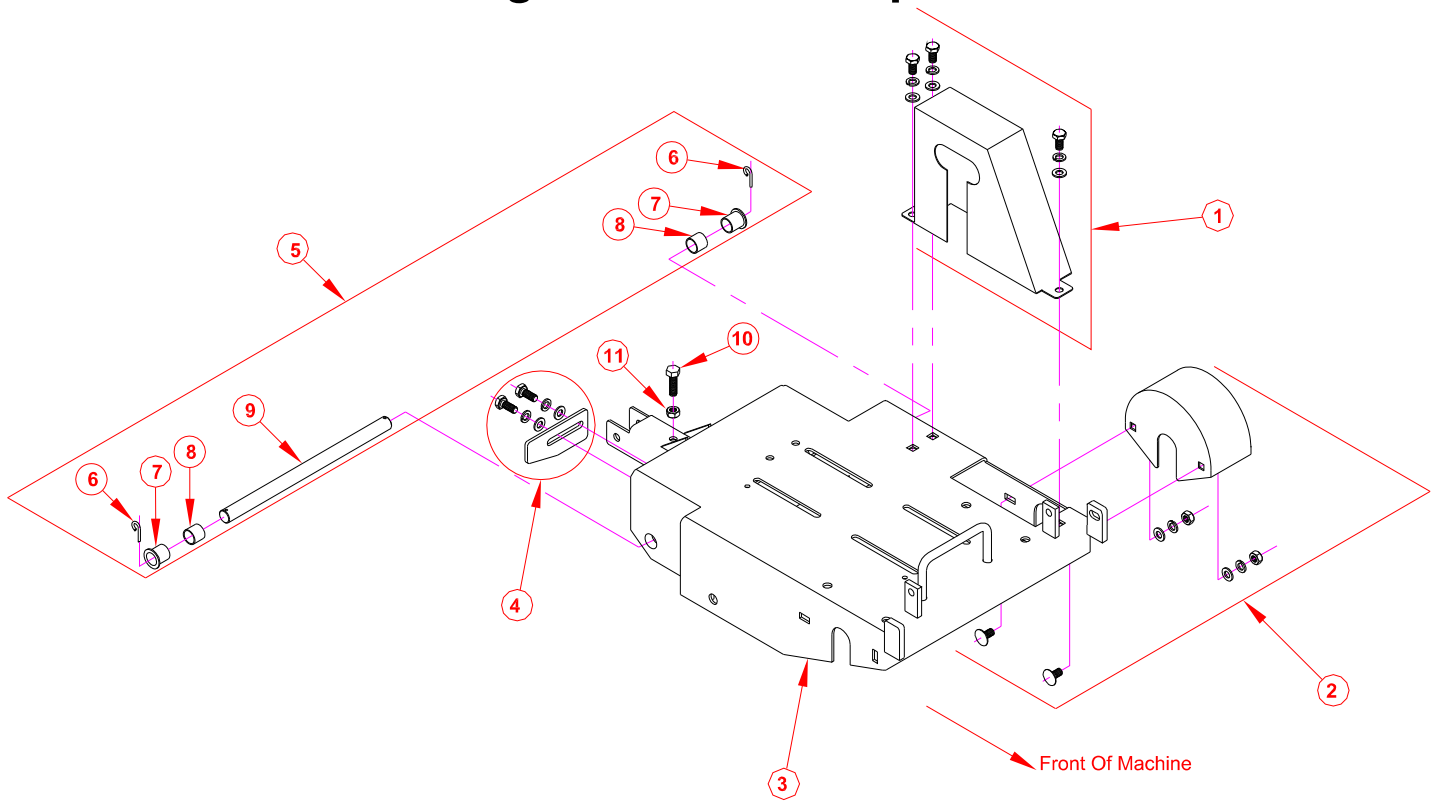
232330 Components Assembled To C1318P



Item	UPC No	Part No	Description	QTY	Type	NOTES
1	70184643374	232330	ENGINE MOUNTING KIT W/HARDWARE C1318P	1	S	Includes: Front, Rear Motor Mounts, and Hardware

Type: S = Service Part, W = Wear Part, All Parts Are Sold As Individual (each) Unless Noted Otherwise

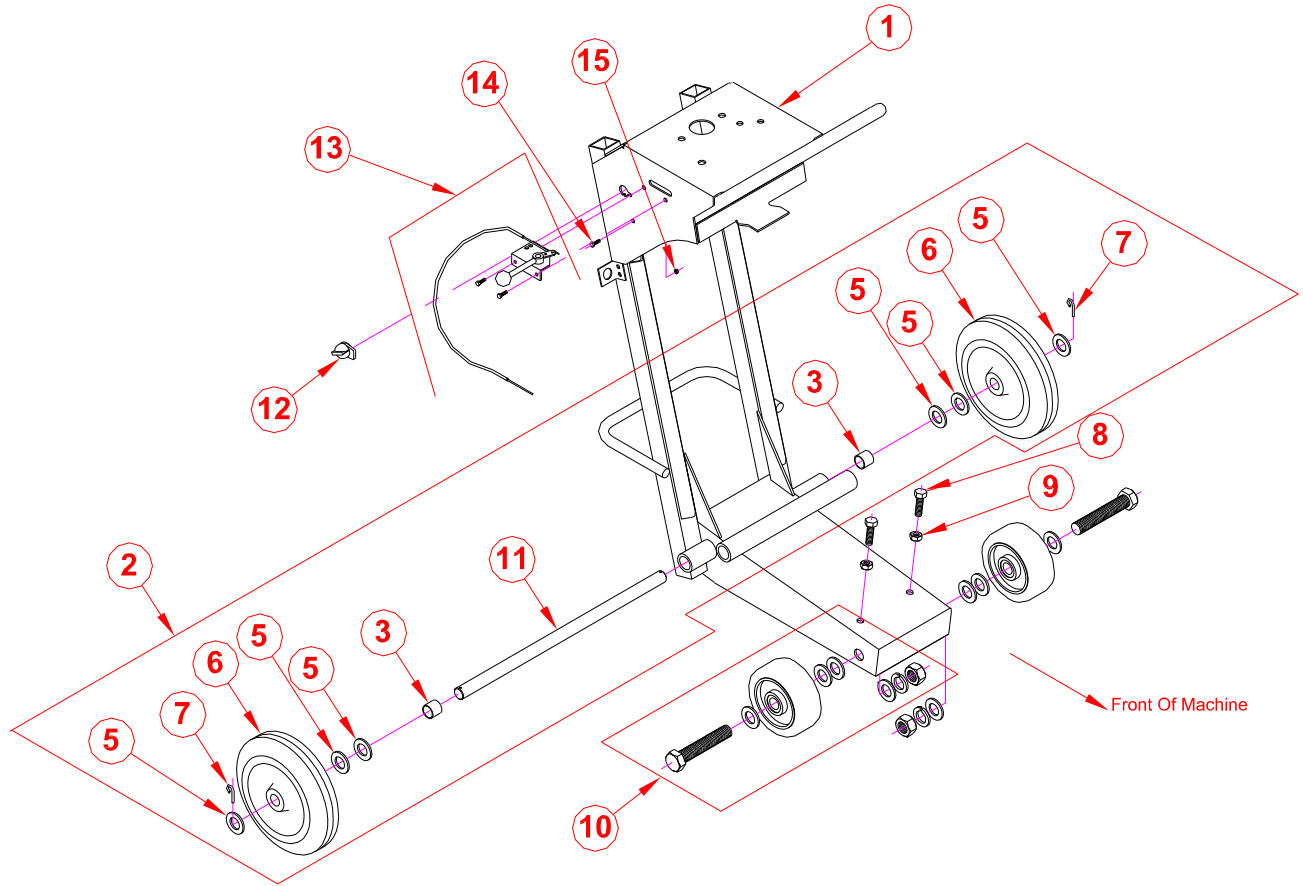
Engine Mount Group



Item	UPC No	Part No	Description	QTY	Type	NOTES
1	00310007025	083371	GUARD BELT ASSY	1	S	Includes: Belt Guard and Hardware
2	70184643375	232358	BLADE SHAFT GUARD ASSMEBLY C1318	1	S	Includes: Blade Shaft Guard and Hardware
3	00310007023	083369	FRAME WELD MOTOR C13P18/C1318P	1	S	Includes: Engine Mount Only
4	00310006570	082804	BRAKE KIT REAR WHEEL C13P18/C1318P	1	S	Includes: Break and Hardware
5	00310006568	082802	PIVOT MOTOR & FRAME KIT	1	W	Includes Items: 6 (2x), 7 (2x), 8 (2x). 9 (2x)
6	70184674553	227146	PIN COTTER 1/8 X 1-1/2	2	W	
7	00310005502	080999	BUSH OUTR MOT PIVOT (1)	2	W	
8	00310005129	080297	BUSH INNR MOT PIVOT (2)	1	W	Sold In Set Of Two (2)
9	00310006569	082803	PIVOT MOTOR & FRAME	1	S	Engine Mount Pivot Shaft Only
10	70184681620	27030A	SCR M10 X 35 1.5 DIN933	1	S	
11	70184681615	27006	NUT M10 1.5 DIN934	1	S	

Type: S = Service Part, W = Wear Part, All Parts Are Sold As Individual (each) Unless Noted Otherwise

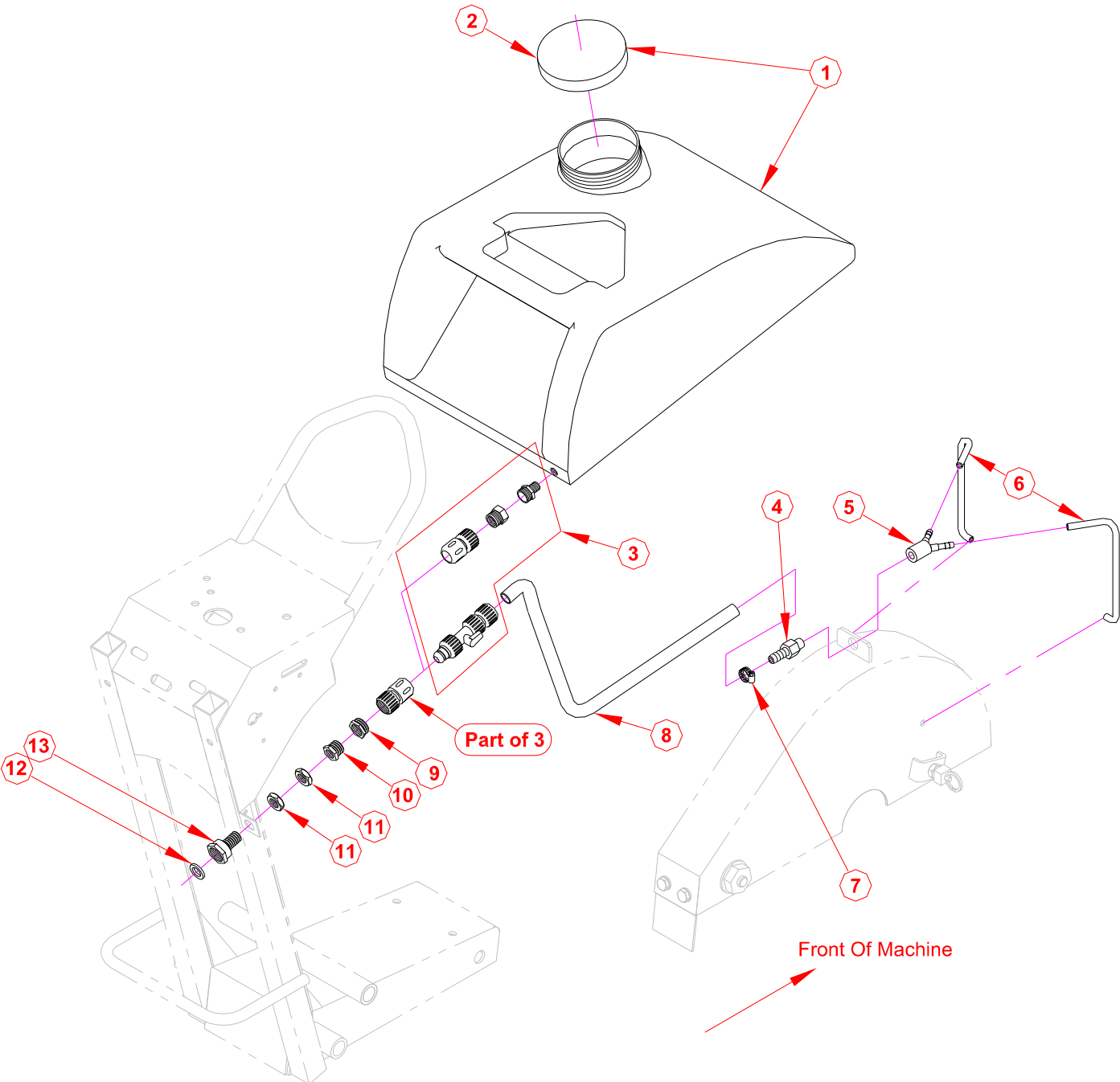
Main Frame Group



Item	UPC No	Part No	Description	QTY	Type	NOTES
1	70184643376	232323	MAIN FRAME WELDMENT C318P	1	S	Frame Only
2	00310006550	082784	AXLE REAR COMPLT W/WHEELS	1	S	Includes Items: 3 (2x), 4 (2x), 5 (6x), 6 (2x), 7 (2x), and 11
3	00310005129	080297	BUSH INNR MOT PIVOT (2)	1	W	Sold In Set Of Two (2)
5	70184681623	27504B	WASHER M20 DIN125 FLAT	6	S	
6	00310005495	080991	WHEEL 200X50X100 (20mm Bore) REAR	2	W	
7	70184674553	227146	PIN COTTER 1/8 X 1-1/2	1	W	
8	70184681620	27030A	SCR M10 X 35 1.5 DIN933	2	S	
9	70184681615	27006	NUT M10 1.5 DIN934	2	S	
10	00310006552	082786	WHEEL FRONT KIT 125/50/20	2	W	Includes: Wheel and Hardware
11	00310006551	082785	AXLE REAR ONLY C13/C13P18/C1318P	1	S	
12	70184674394	227115	SWITCH ENGINE ON/OFF HONDA	1	W	Sold as Each For GX390K1QXC
13	00310024052	232124	THROTTLE ASSEMBLY C13P18/C1318P	1	W	Includes: Throttle Control, Control Cable, and Hardware
14	70184665412	224237	SCR M6 X 20 1.0 DIN933	1	S	
15	70184625661	300833	NUT M6 1.0 DIN934 HEX	1	S	

Type: S = Service Part, W = Wear Part, All Parts Are Sold As Individual (each) Unless Noted Otherwise

Water Control Group

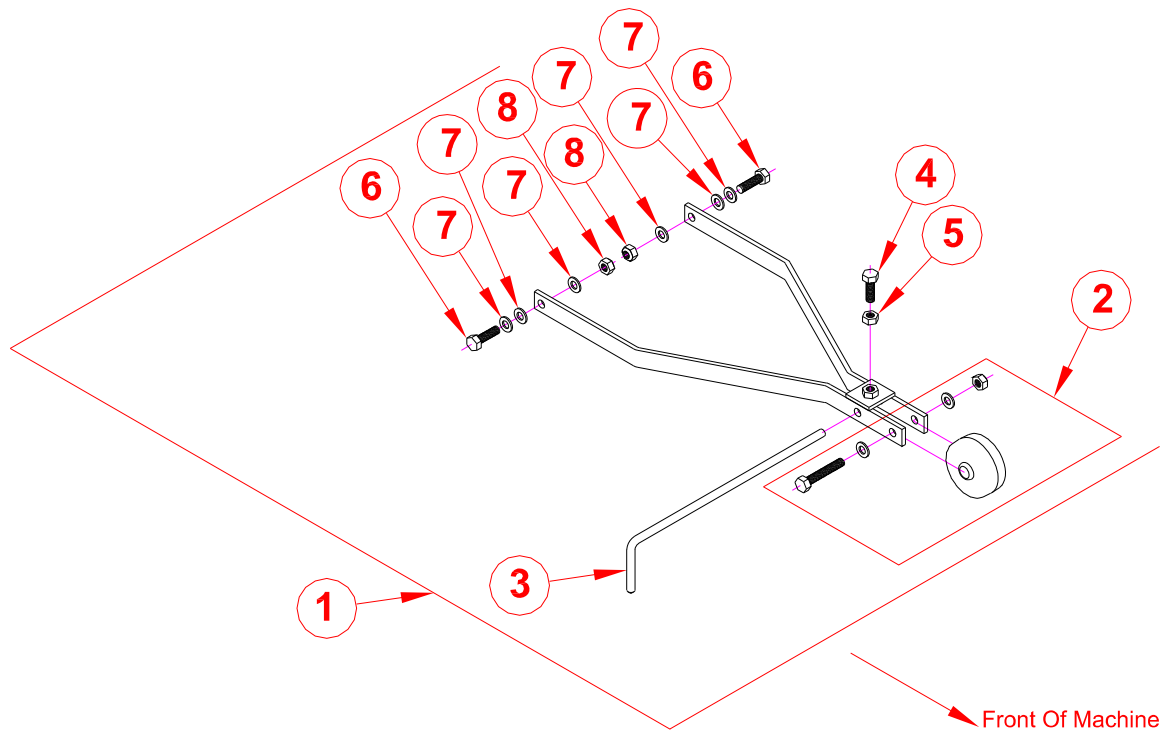


Water Control Group

Item	UPC No	Part No	Description	QTY	Type	NOTES
1	00310351798	232356	WATER TANK COMPLETE C1318P/CS451	1	S	Includes: Water Tank and Stopper (Cap)
2	00310006560	082794	STOPPER WATER TANK C13/C13P18/C1318P	1	S	
3	00310024053	232121	VALVE & CONNECTOR ASSY	1	S	Includes: Valve Assembly w/Hose Adapter (1), Male Quick Detach x 3/4" Garden Hose (1), Female Quick Detach (1) x 3/4" Garden Hose, Hex Bushing 3/4" Garden Hose x 1/2 FPT (1), and Reducing Bushing 1/2 MPT x 1/4MPT (1) NOTE: Valve Assembly w/ Hose Adapter, Male Quick Detach x 3/4" Garden Hose, and Female Quick Detach x 3/4" Garden Hose are not sold separately
4	70184650465	9600014	FIT BARB HOSE 1/4MPTX1/2	1	S	
5	00310004233	072286	FIT HOSE Y	1	S	
6	70184681299	082998	NOZZEL WATER (2) C13P18/C1318P	1	S	Set of two (2) Nozzles
7	70184674516	227126	CLAMP HOSE WORM 7/32"TO 5/8 x 5/16"W	1	S	
8	70184683507	0042521	TUBE 1/2ID X 3/4OD 48"LNG	1	S	
9	70184628020	238067	REDUCER FIT 3/4MGH x 1/2FMPT	1	S	
10	70184643377	232354	BUSHING HEX 1/2MPT x 3/8 FPT	1	S	
11	70184643378	232355	NUT PIPE LOCK 3/8 BRASS	2	S	
12	70184650620	101868	WASHER HOSE 1.00OD X .625	1	W	
13	70184650637	121273	SWIVEL HOSE 3/8MPTX3/4GHT	1	S	Does Not Include Hose Washer

Type: S = Service Part, W = Wear Part, All Parts Are Sold As Individual (each) Unless Noted Otherwise

Front Pointer Group



Item	UPC No	Part No	Description	QTY	Type	NOTES
1	00310024051	232127	POINTER ASSY C13PC18/C13P18/C1318P	1	S	Includes: Front Pointer Rod, Pointer Frame, Wheel, and Hardware
2	00310004622	232126	WHEEL POINTER W/HARDWARE C13P18/C1318P	1	S	Front Wheel and Hardware
3	00310004244	232125	POINTER ROD C13P18/C1318P/C13SP18	1	W	Front Pointer Rod Only
4	70184627482	237242	SCR M10 X 50 1.5 DIN933	1	S	Sold as Each
5	70184681615	27006	NUT M10 1.5 DIN934	1	S	Sold as Each
6	70184681605	27030	SCR M10 X 30 1.5 DIN933	2	S	Sold as Each
7	70184681610	27504	WASHER M10 DIN125	6	S	Sold as Each
8	70184628215	239007	NUT M10 1.5 DIN985 LOCK	2	S	Sold as Each

Type: S = Service Part, W = Wear Part, All Parts Are Sold As Individual (each) Unless Noted Otherwise