



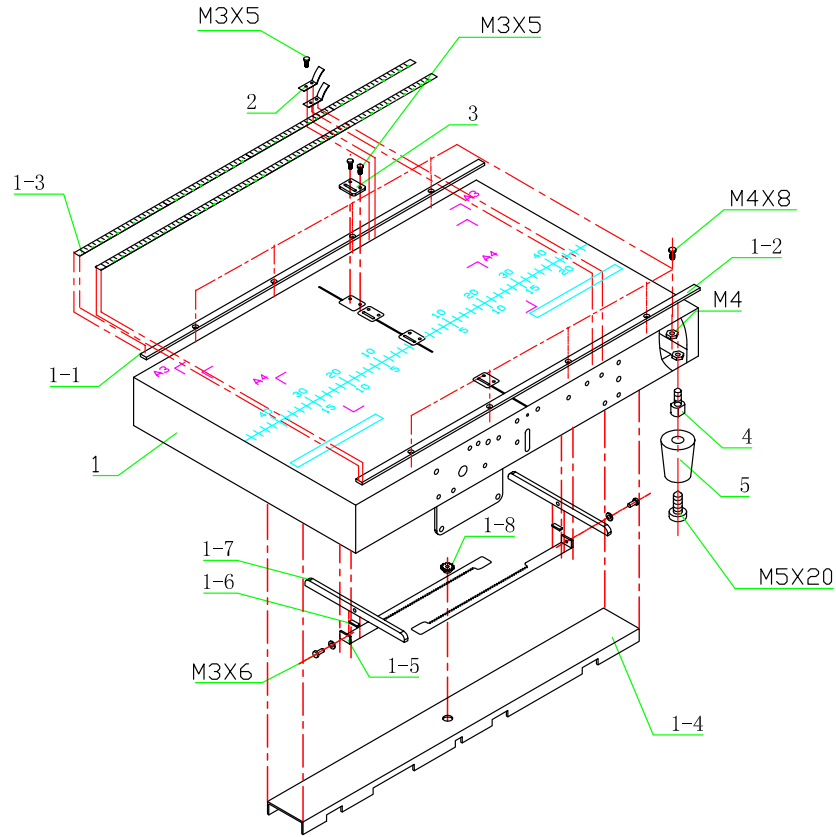
CORPORATION

1-800-223-2508

www.mbmcorp.com

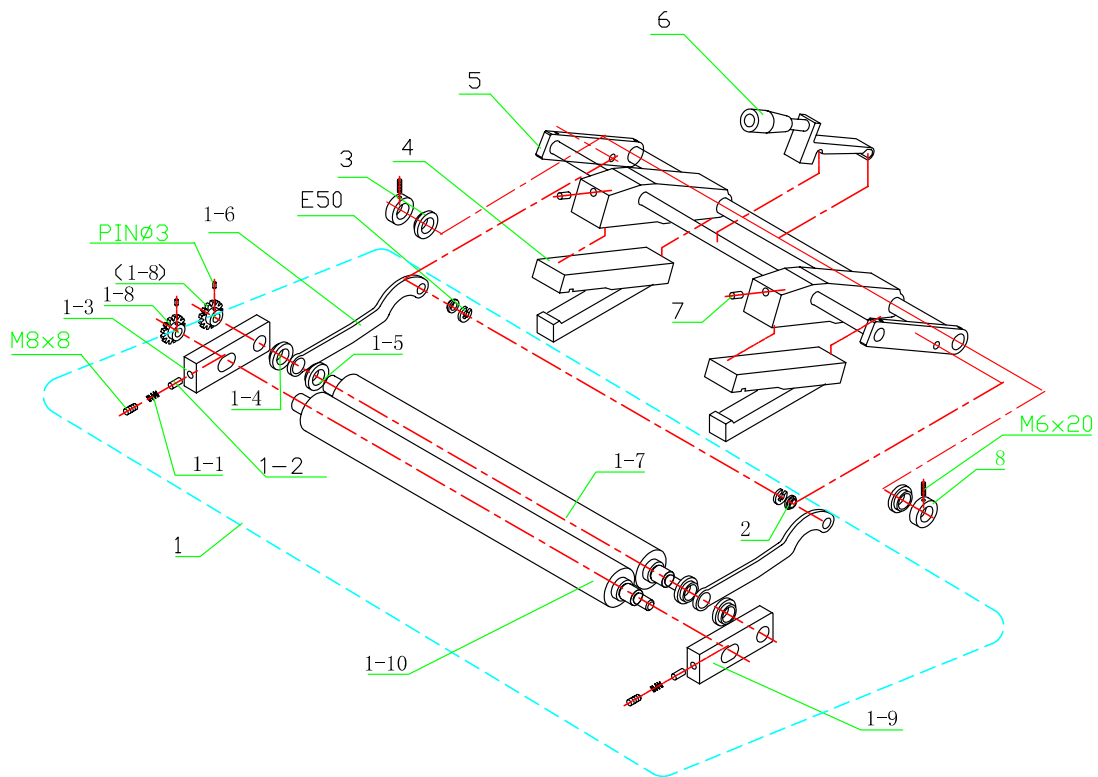
BOOKLETMAKER Jr. Parts Catalogue

1. Base Section



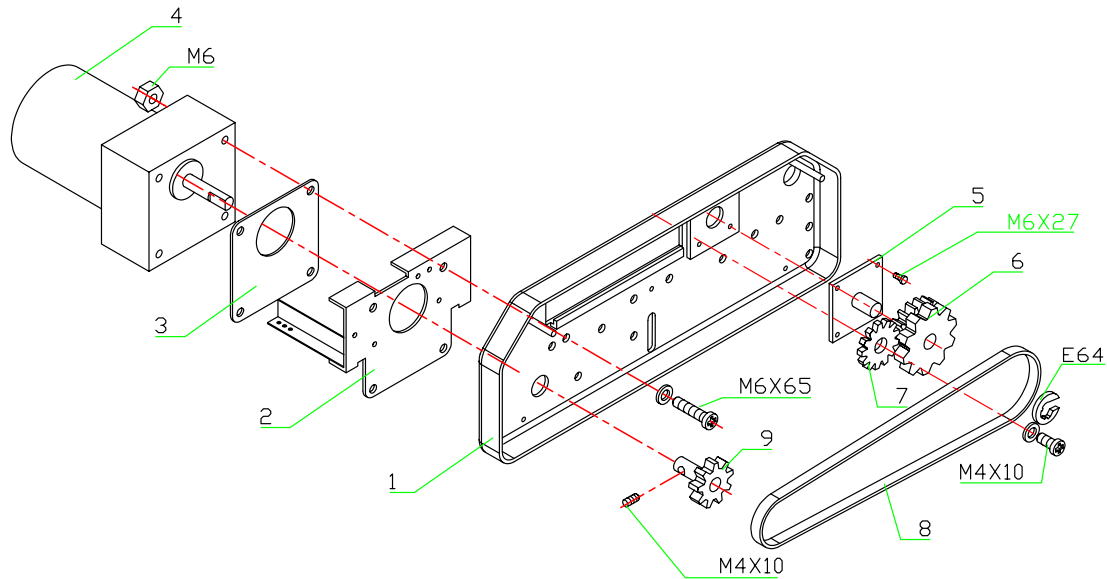
No.	PARTS No.	DESCRIPTION	Q' TY	REMARKS
1	HME25-00100 (B)	Base Assy.	1	
1-1	HME25-08100	Plate	1	
1-2	HME25-05500	Plate	1	Should be ordered together with Parts No. HME25-00100 (B). Order separated is not allowed
1-3	HME25-04800	Scale	2	
1-4	HME25-02200	Bracket	1	
1-5	HME25-06300	Rack	2	
1-6	HME25-07600	Felt	2	
1-7	HME25-05300	Side Guide	2	
1-8	HME25-06400	Pinion	1	
2	HME25-06200	Spring Plate	4	
3	HME25-06600	Anvil	4	
4	HME25-S262	Screw	4	
5	HME25-02400	Rubber Foot	4	

2. Stapling & Folding Section



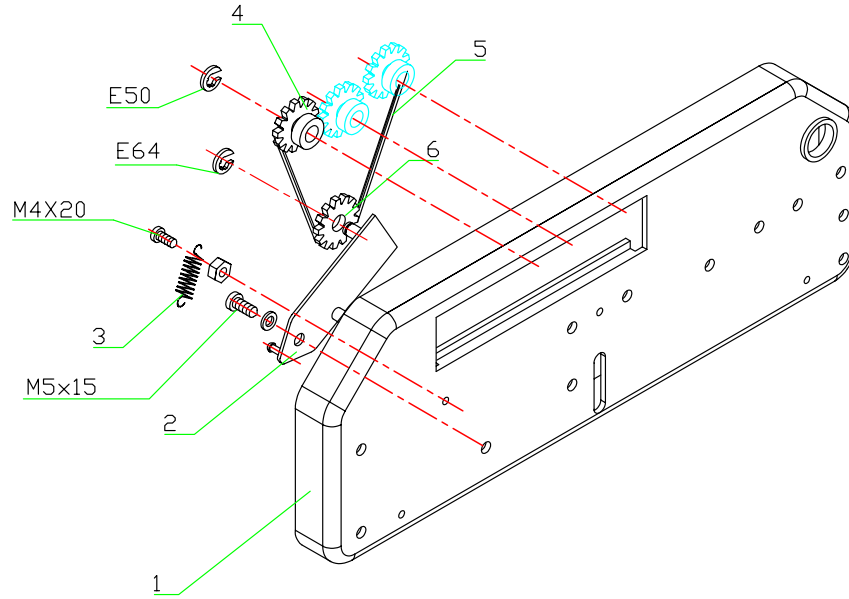
No.	PARTS No.	DESCRIPTION	Q' TY	REMARKS
1	HME25.1	Folding Assy	1	
1-1	HME25-04600	Spring C	2	
1-2	HME25-04700	Stopper	2	
1-3	HME25-00400	Slider B	1	Should be ordered together with Parts No. HME25.1. Order separated is not allowed.
1-4	HME25-03800	Collar	2	
1-5	HME25-03700	Lever Collar (Big)	2	
1-6	HME25-03900	Lever	2	
1-7	HME25-00300	Roller	1	
1-8	HME25-03000	Sprocket IV	2	
1-9	HME25-01300	Slider F	1	
1-10	HME25-00500	Roller	1	
2	HME25-04000	Lever Collar (Small)	2	
3	HME25-04500	Collar	2	
4	HME25-06500	Stapler Head	2	
5	HME25.3	Stapler Assy	1	
6	HME25-01100	Handle	1	
7	HME25-05200	Ball Retainer	2	
8	HME25-04400	Bush	2	

3. Driving Section I



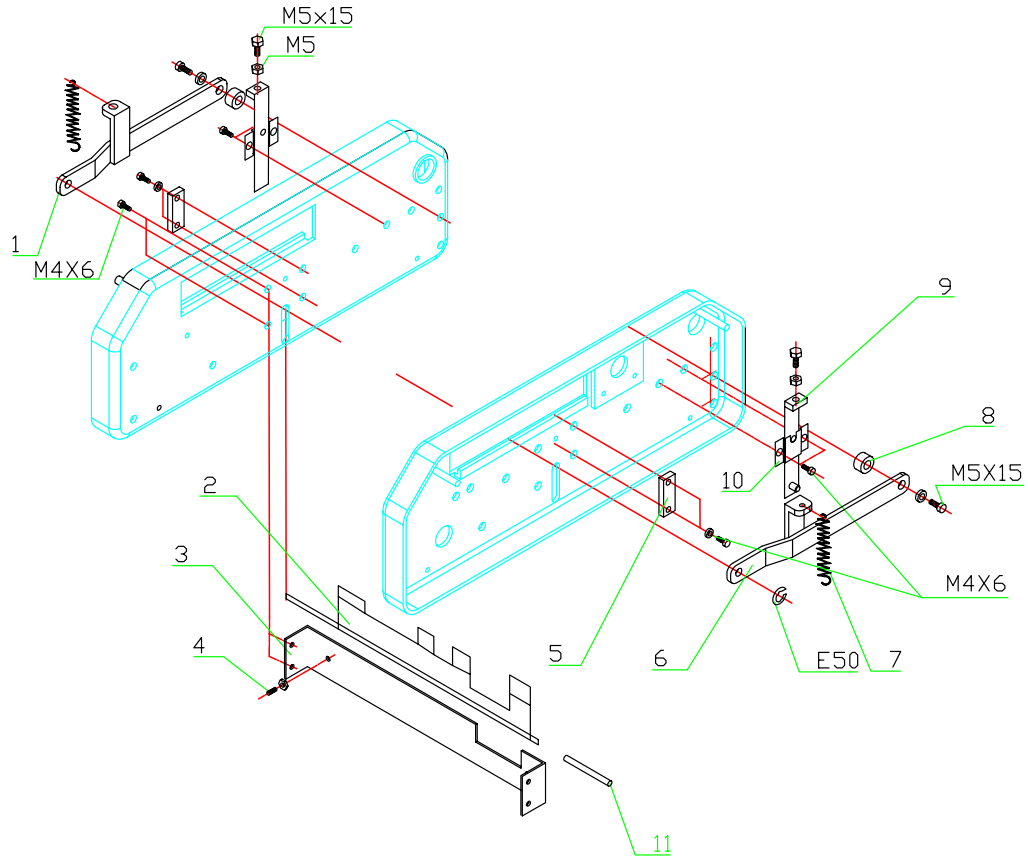
No.	PARTS No.	DESCRIPTION	Q' TY	REMARKS
1	HME25-00600	Frame F	1	
2	HME25-02000	Plate Assy	1	
3	HME25-02700	Plate	1	
4	HME25-09900	Motor (110V)	1	
5	HME25-01800	Shaft Bracket	1	
6	HME25-01600	Double-sprocket	1	
7	HME25-01400	Gear I	1	
8	C-6P04C × 66	Chain I	1	
9	HME25-01500	Sprocket I	1	

4. Dviving Section II



No.	PARTS No.	DESCRIPTION	Q' TY	REMARKS
1	HME25-00200	Frame B	1	
2	HME25-03400	Block	1	
3	HME25-03300	Spring T	1	
4	HME25-02900	Sprocket III	1	
5	C-6P04C × 40	Chain II	1	
6	HME25-03600	Sprocket V	1	

5. Folding Blade Section



No.	PARTS No.	DESCRIPTION	Q' TY	REMARKS
1	HME25-02100	Lever B	1	
2	HME25-05900	Folding Blade	1	
3	HME25-01000	Reinforcing Plate	1	
4	HME25-05200	Ball Retainer	2	
5	HME25-08000	Stopper	2	
6	HME25-01900	Lever F	1	
7	HME25-02500	Spring T	2	
8	HME25-06100	Holder	2	
9	HME25-03100	Block	2	
10	HME25-03200	Bracket	2	
11	HME25-07100	Shaft	1	

