

TABLE OF CONTENTS

HTXG6DF Ride-On Trowel

Explanation of Code in Remarks Column.....	4
Suggested Spare Parts	5

Component Drawings

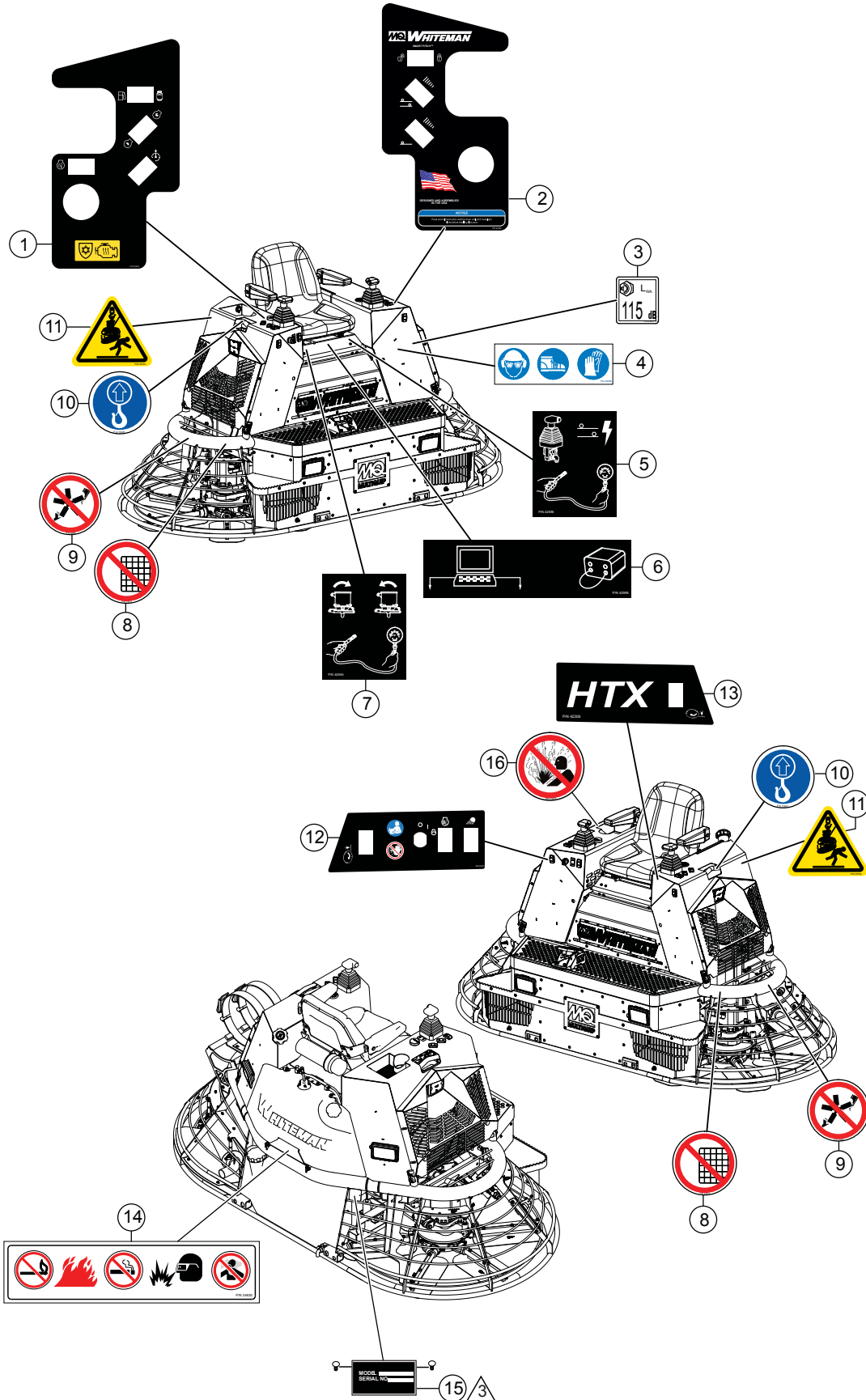
Nameplate and Decals Assembly.....	6–7
Frame and Fittings Assembly	8–9
Splash Guard Panel Assembly	10–11
Left Frame Console Assembly.....	12–13
Right Frame Console Assembly	14–15
Platform Assembly.....	16–17
Hydraulic Cooler Cowling Assembly.....	18–19
Seat Frame Assembly	20–21
Seat Frame — Document Holder Assembly....	22–23
Electrical Control Panel Assembly.....	24–25
Pivot Assembly	26–27
Hydraulic Steering Assembly.....	28–29
Hydraulic Cylinder Assembly.....	30–31
Hydraulic Cooler Assembly (Left and Right)....	32–33
Pump Mounting Bracket Assembly.....	34–35
Pump Fittings Assembly	36–37
Pump Levers Assembly	38–39
Charge Pump Assembly.....	40–41
Hydraulic Hose Kit Assembly Complete	42–43
Hyd. Hose Assembly (P. Block Ports C1~C4) ..	44–45
Hyd. Hose Assembly (L/R Steering Val. #1)	46–47

Hyd. Hose Assembly (L/R Steering Val. #2)	48–49
Hyd. Hose Assembly (P. Blk/Frame/Tnk/Pmp)...	50–51
Hyd. Hose Assembly (Test Ports)	52–53
Hyd. Hose Assembly (P. Block/Cooler/Pump) ..	54–55
Hyd. Hose Assembly (Cooler/Motors/Pump) ...	56–57
Hyd. Hose Assembly (P. Blk/P. Stker/Pmp/Filter) ...	58–59
Pitch Block Assembly (Fittings)	60–61
Pitch Block Assembly (Valves)	62–63
Hydraulic Oil Expansion Tank Assembly	64–65
Filter Assembly	66–67
Test Port Assembly.....	68–69
Left-Hand Valve Assembly.....	70–71
Right-Hand Valve Assembly	72–73
Stabilizer Assembly	74–75
6-Blade Spider Assembly (Left-Side)	76–77
6-Blade Spider Assembly (Right-Side)	78–79
Spray Assembly.....	80–81
Engine Mounting Assembly (Left).....	82–83
Engine Mounting Assembly (Right)	84–85
Exhaust Assembly	86–87
Air Cleaner Assembly	88–89
Fuel System Assembly	90–91
Fuel Pump and Fuel Filter Assembly.....	92–93
Battery Assembly.....	94–95
Radiator Mounting Hardware Assembly	96–97
LPG Fuel Components Assembly	98–99
Harness Assembly.....	100–101

NOTICE

Specifications and part numbers are subject to change without notice.

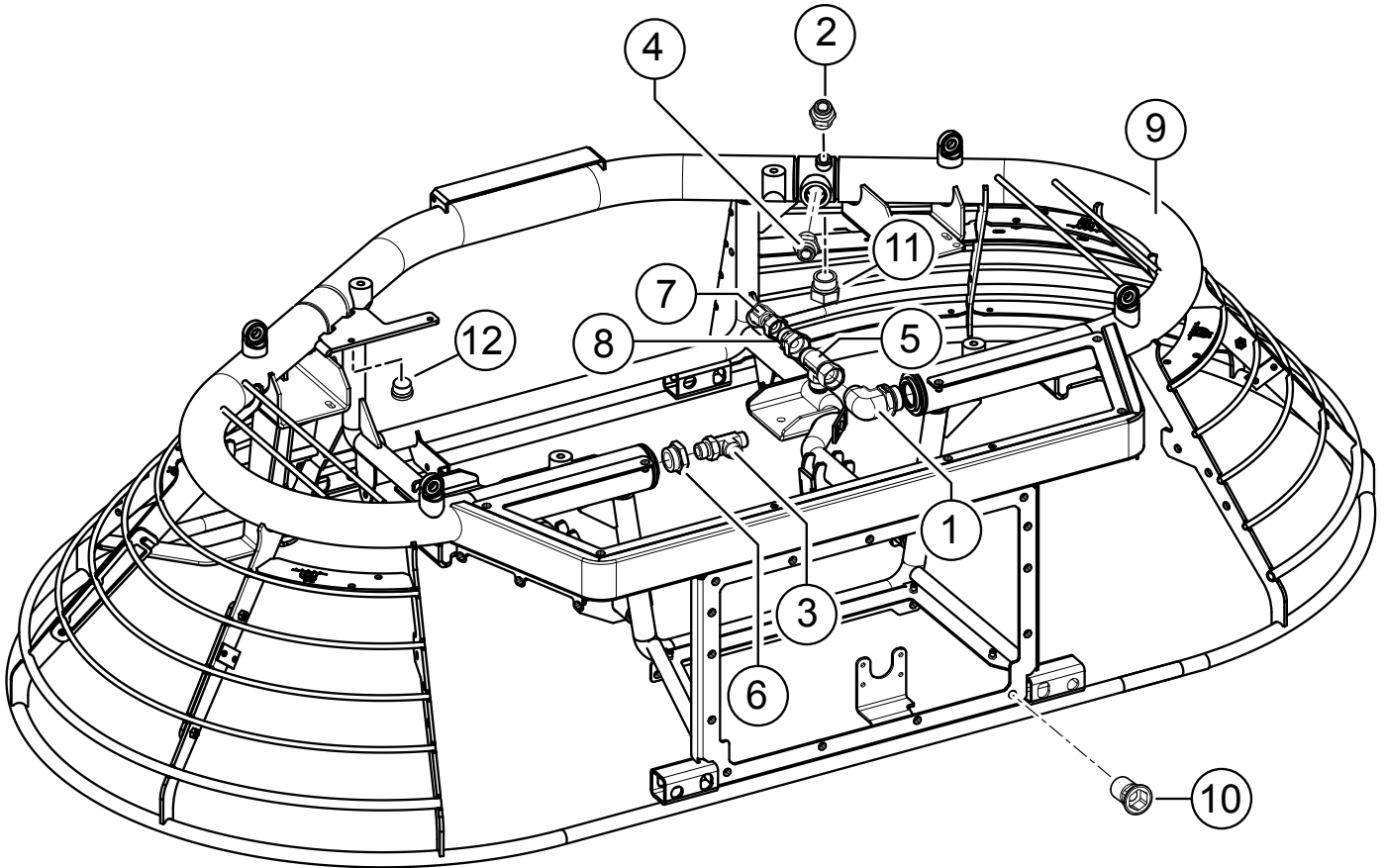
NAMEPLATE AND DECALS ASSY.



NAMEPLATE AND DECALS ASSY.

<u>NO.</u>	<u>PART NO.</u>	<u>PART NAME</u>	<u>QTY.</u>	<u>REMARKS</u>
1	42305	DECAL ISO, RH CONSOLE TOP	1	
2	42304	DECAL ISO, LH CONSOLE TOP	1	
3	23803-115	DECAL ISO, GUARANTEED SND PWR LVL, 1.41" X 1.57"	1	
4	36099	DECAL ISO, PROTECTIVE CLOTHING, 3.50" X 1.13"	1	
5	42596	DECAL ISO, STEERING/CHARGE OR PITCH	1	
6	42595	DECAL ISO, SERVICE TOOL & SET UP JUMPER	1	
7	42594	DECAL ISO, MOTOR PORTS	1	
8	23874	DECAL ISO, DO NOT REMOVE GUARDS HZD, 2.00" DIA	2	
9	23698	DECAL ISO, ROTATING BLADE HAZARD, 2.00" DIA	2	
10	34626	DECAL ISO, LIFTING POINT 2.00" DIA	2	
11	23700	DECAL ISO, LIFTING/CRUSH, 2.4" X 2.0" DIA	2	
12	42307	DECAL ISO, RH CONSOLE TOP	1	
13	42306	DECAL ISO, LH CONSOLE FRONT OVERLAY	1	
14	34630	DECAL, FIRE, EXPLOSION, SMOKING HAZ 6.50" X 1.40"	1	
15	13800	SERIAL TAG	1 CONTACTMQPARTS
16	23810	DECAL ISO, INHALATION HAZARD, 2.00" DIA	1	

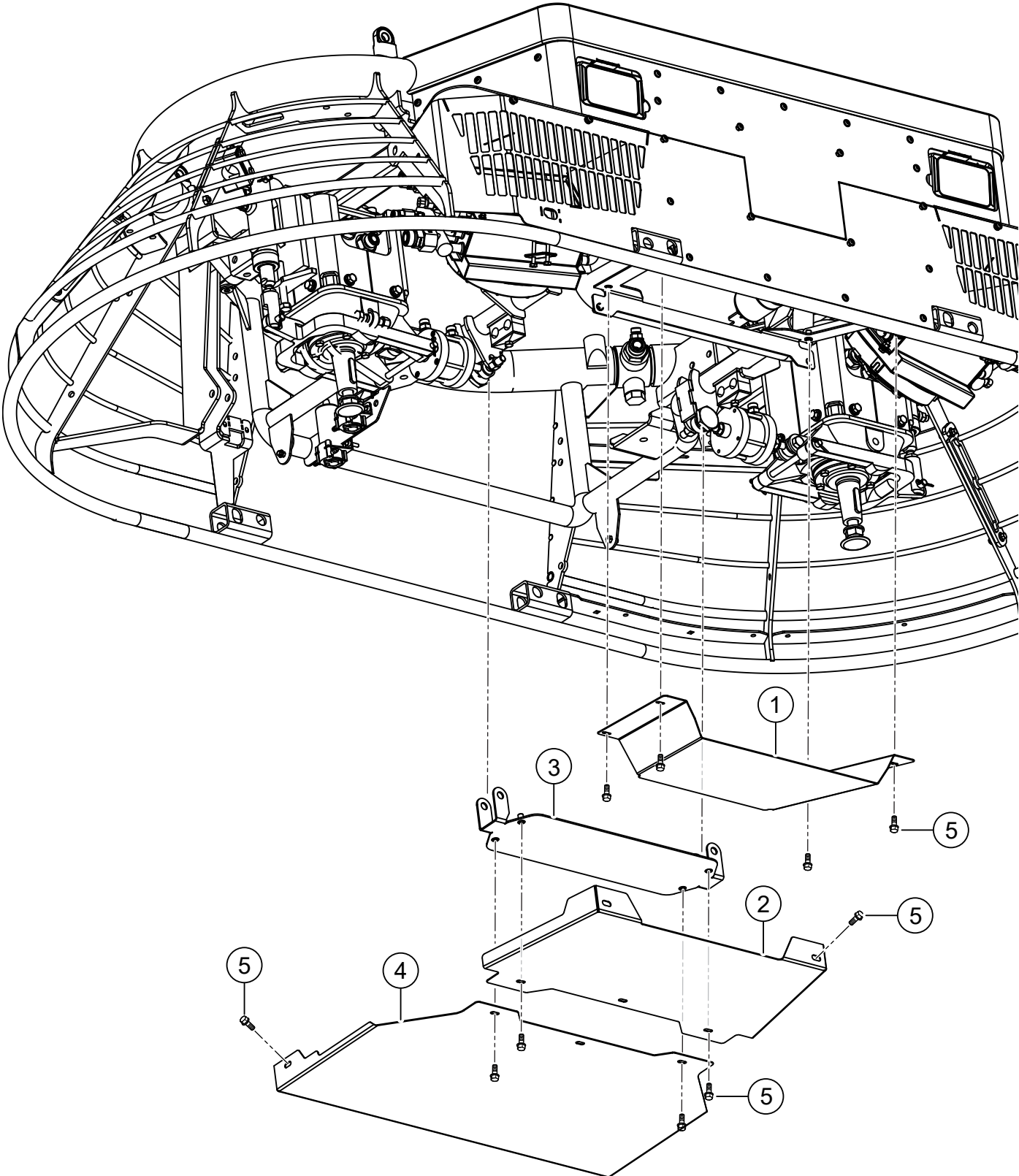
FRAME AND FITTINGS ASSY.



FRAME AND FITTINGS ASSY.

<u>NO.</u>	<u>PART NO.</u>	<u>PART NAME</u>	<u>QTY.</u>	<u>REMARKS</u>
1	32339	FITTING, 90 16MORFS x 20MOR	1	
2	32341	FITTING, STR -6MORFS x -6MOR	1	
3	32365	FITTING, TEE 10MORFS x 12MOR	1	
4	32423	FITTING, STR 12MORFS x 16MOR	1	
5	32427	FITTING, TEE 16FORFSx16MORFS	1	
6	32469	FITTING, STR -12FOR x -20MOR	1	
7	32491	FITTING, 45 12FORFS x 12MORFS	1	
8	32492	FITTING, STR 16FORFS x 12MORFS	1	
9	42760-SK	MAIN FRAME KIT, HTXG6DF	1	
10	42496	RIVNUT, HALF HX BODY, LG FLANGE, M6X1.0 ISO	1	
11	23271	FITTING, PLUG 12MO MAG	1	
12	29272	PLUG, 08MOR	1	

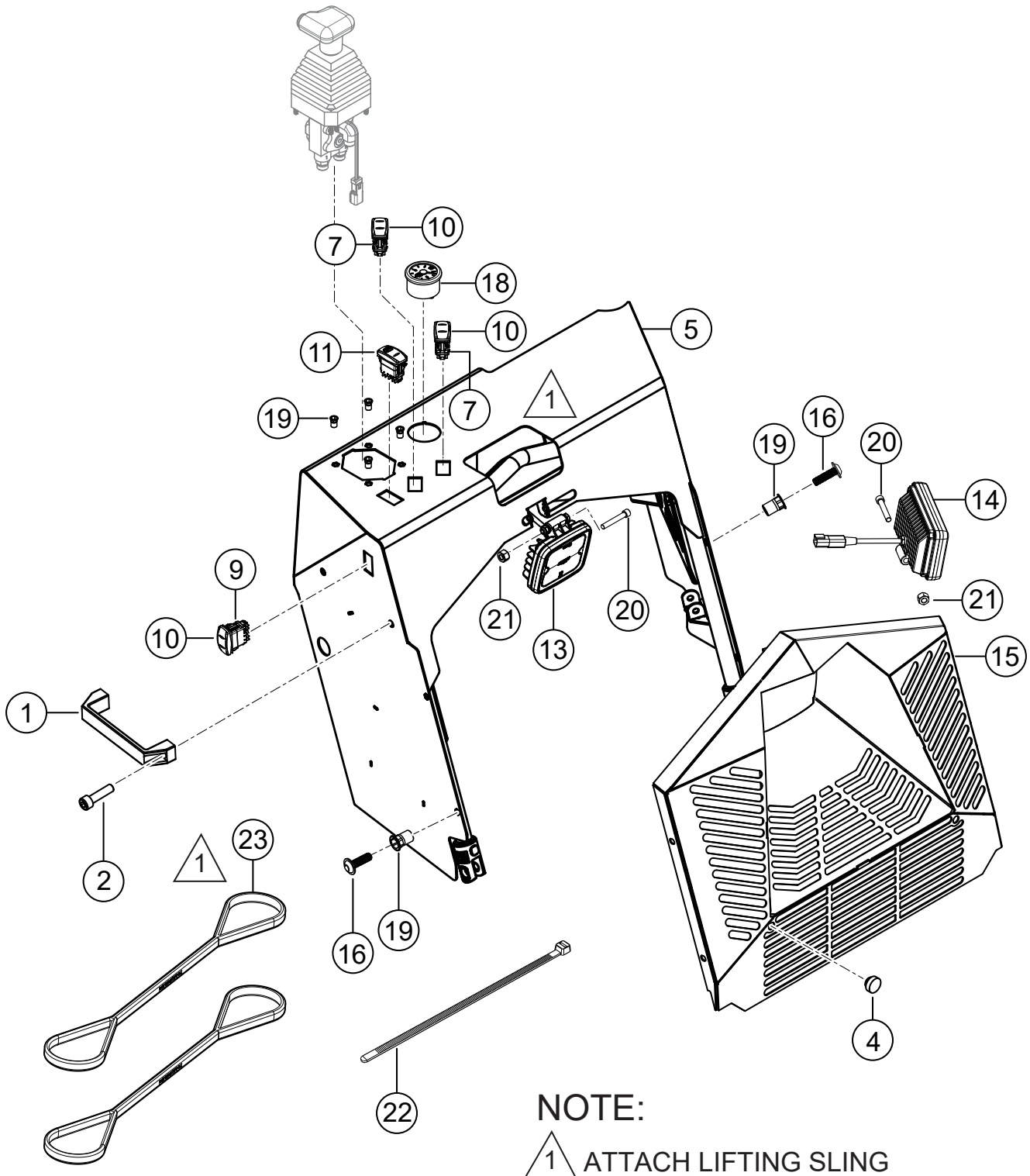
SPLASH GUARD PANEL ASSY.



SPLASH GUARD PANEL ASSY.

<u>NO.</u>	<u>PART NO.</u>	<u>PART NAME</u>	<u>QTY.</u>	<u>REMARKS</u>
1	42383	PANEL, FRONT SPLASH GUARD	1	
2	42382	PANEL, MID SPLASH GUARD	1	
3	42406	BRACKET ASSY., CENTER SPLASH GUARD	1	
4	42381	PANEL, REAR SPLASH GUARD	1	
5	42542	SCREW, HFS ZP M6-1.0 X 16	12	

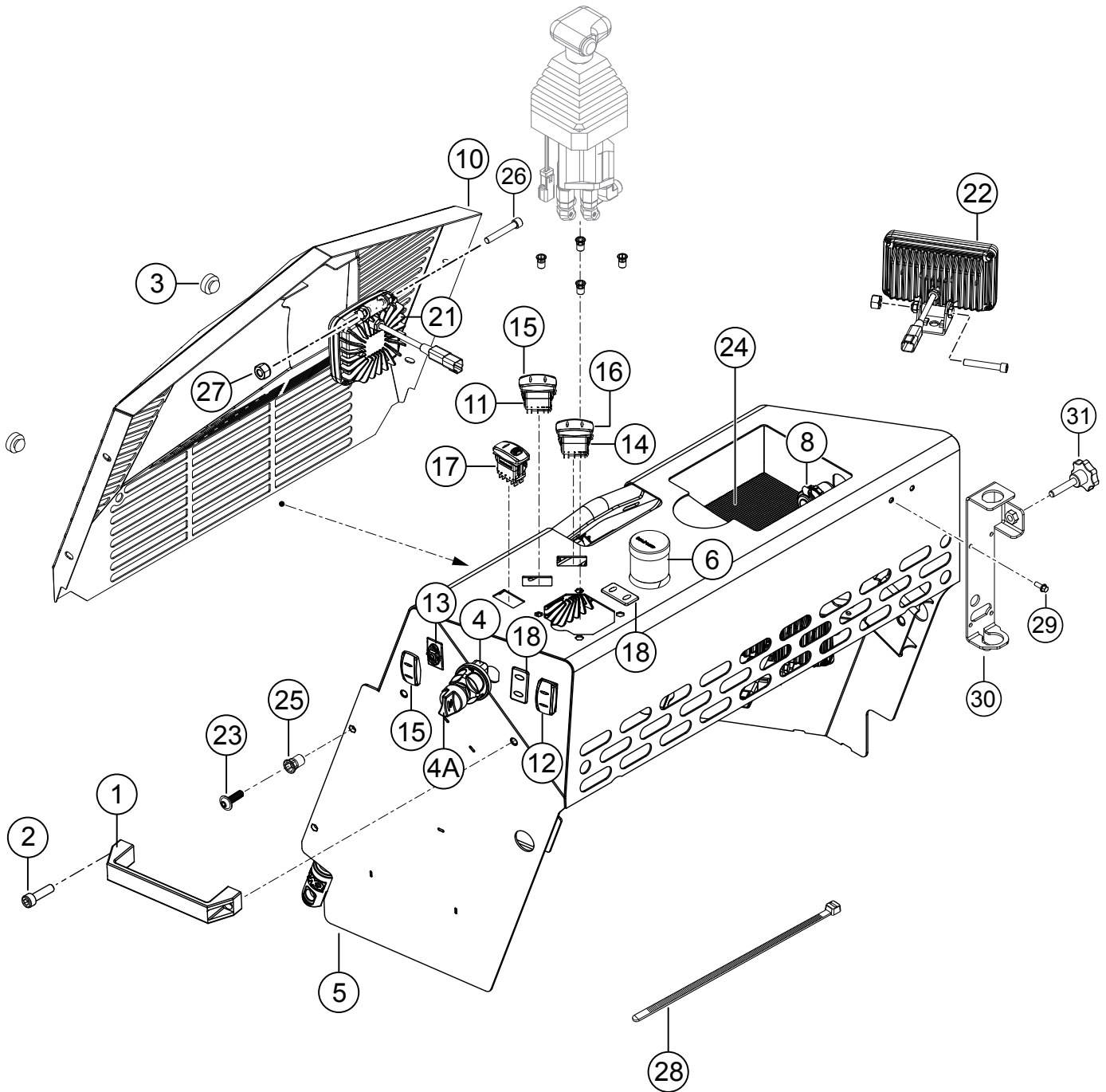
LEFT FRAME CONSOLE ASSY.



LEFT FRAME CONSOLE ASSY.

<u>NO.</u>	<u>PART NO.</u>	<u>PART NAME</u>	<u>QTY.</u>	<u>REMARKS</u>
1	20674	HANDLE, GRAB	1	
2	24244	SCREW, SHC M8-1.25 X 20MM	2	
4	21597	BUMPER, STEM	2	
5	42033	CONSOLE, GEN 3 LEFT SEAT FRAME	1	
7	42178-001	SWITCH BASE, 10 TERM, MOM ON-OFF- MOM ON	2	
9	42178-003	SWITCH BASE, CARLING CONTURA SERIES	1	
10	42179-001	ACTUATOR, CARLING CONTURA V-SERIES	3	
11	42180-002	SWITCH, LOCK ROCKER, CONT V-SERIES	1	
13	42262	LIGHT, LED 20W 4 EMITTERS 60°	1	
14	42263	LIGHT, LED 20W 6 EMITTERS 60°	1	
15	42324	COVER, GEN 3 LEFT END W/A	1	
16	42325	SCREW, BHSC, M6-1.0 X 20, FLANGED	4	
18	42424	GAGE, FUEL	1	
19	42496	RIVNUT, HALF HX BODY, LG FLANGE	8	
20	2186	SCREW, SHC, 5/16-18 X 2-1/4" PLTD	2	
21	5283	NUT, NYLOC, 5/16-18	2	
22	42315	TIE, CABLE ASSY.	4	
23	23165	SLING, LIFTING	2	

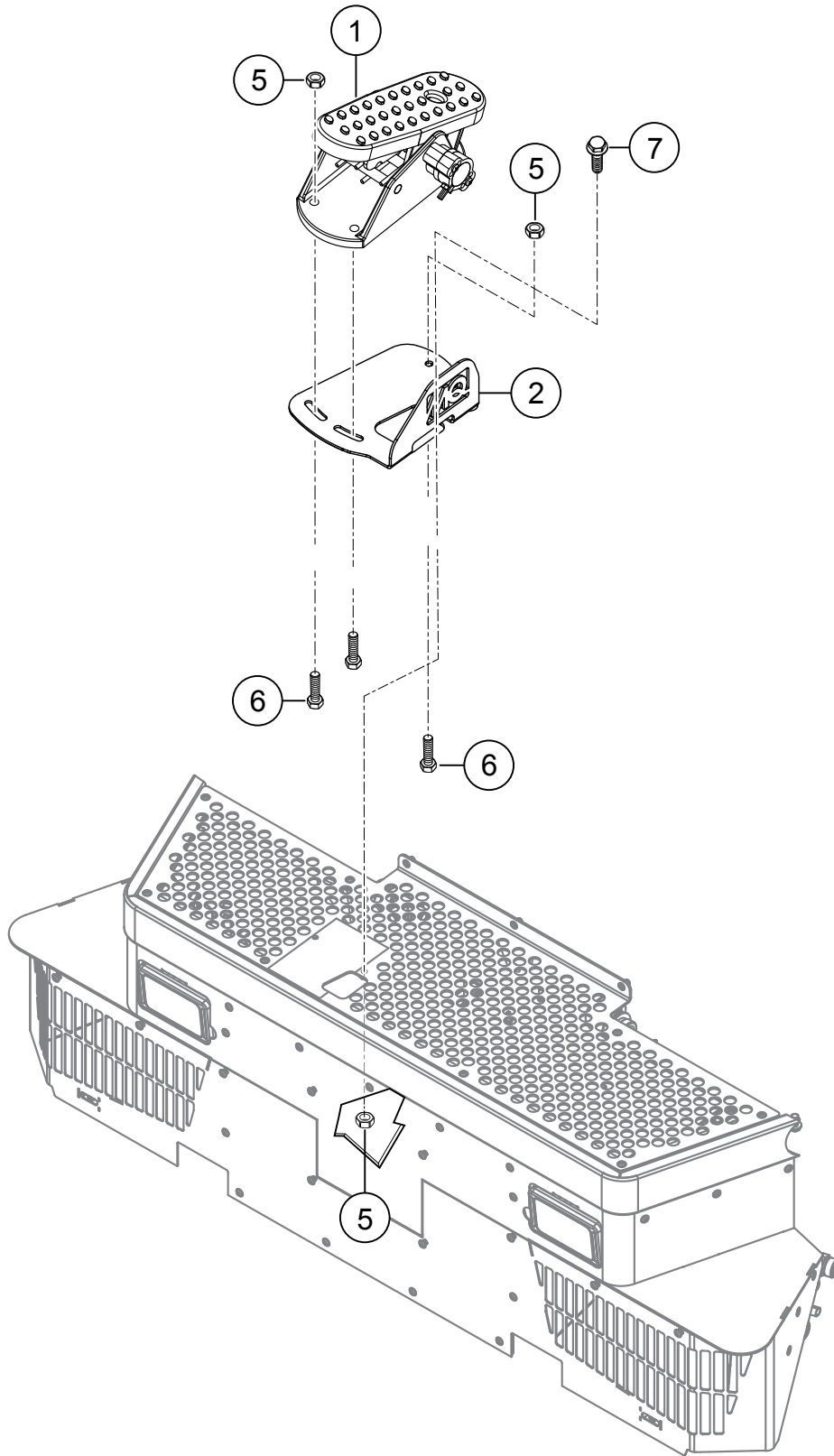
RIGHT FRAME CONSOLE ASSY.



RIGHT FRAME CONSOLE ASSY.

<u>NO.</u>	<u>PART NO.</u>	<u>PART NAME</u>	<u>QTY.</u>	<u>REMARKS</u>
1	20674	HANDLE, GRAB	1	
2	24244	SCREW, SHC M8-1.25 X 20MM	2	
3	21597	BUMPER,STEM	2	
4	23959	SWITCH, IGNITION.....	1	INCLUDESITEMSW/\$
4A\$	23959-01	KEY, IGNITION SWITCH	1	
5	42032	CONSOLE, GEN 3 RIGHT SEAT FRAME	1	
6	42070	DISPLAY, J1939-MURPHY PV25	1	
8	42780	ACCESSORY POWER PORT, USB POWER	1	
10	42904	COVER, GEN 3 RIGHT END	1	
11	42178-001	SWITCH BASE, 10 TERM, MOM ON-OFF1	1	
12	42178-002	SWITCH BASE, 10 TERM, ON-OFF	1	
13	42178-003	SWITCH BASE, CARLING CONTURA SERIES	1	
14	42178-004	SWITCH BASE, CARLING CONTURA SERIES	1	
15	42179-001	ACTUATOR, CARLING CONTURA V-SERIES	2	
16	42179-002	ACTUATOR, CARLING CONTURA V-SERIES	1	
17	42180-001	SWITCH, LOCK ROCKER, CONT V-SERIES	1	
18	42181-001	INDICATOR, CONTURA VP SERIES	2	
21	42262	LIGHT, LED 20W 4 EMITTERS 60°	1	
22	42263	LIGHT, LED 20W 6 EMITTERS 60°	1	
23	42325	SCREW, BHSC, M6-1.0 X 20, FLANGED	4	
24	42552	MAT, RUNNER ACCESORY TRAY	1	
25	42496	RIVNUT, HALF HX BODY, LG FLANGE, M6 X 1.0 ISO	8	
26	2186	SCREW, SHC 5/16-18 X 2-1/4" PLTD	2	
27	5283	NUT, NYLOC 5/16-18	2	
28	42315	TIE, CABLE, ASSY.	6	
29	42542	SCREW, HFS, ZP, M6-1.0 X 16	4	
30	42838	HOLDER, UMBRELLA WELDED	1	
31	42839	SCREW, THUMB M10-1.5 X 50	1	

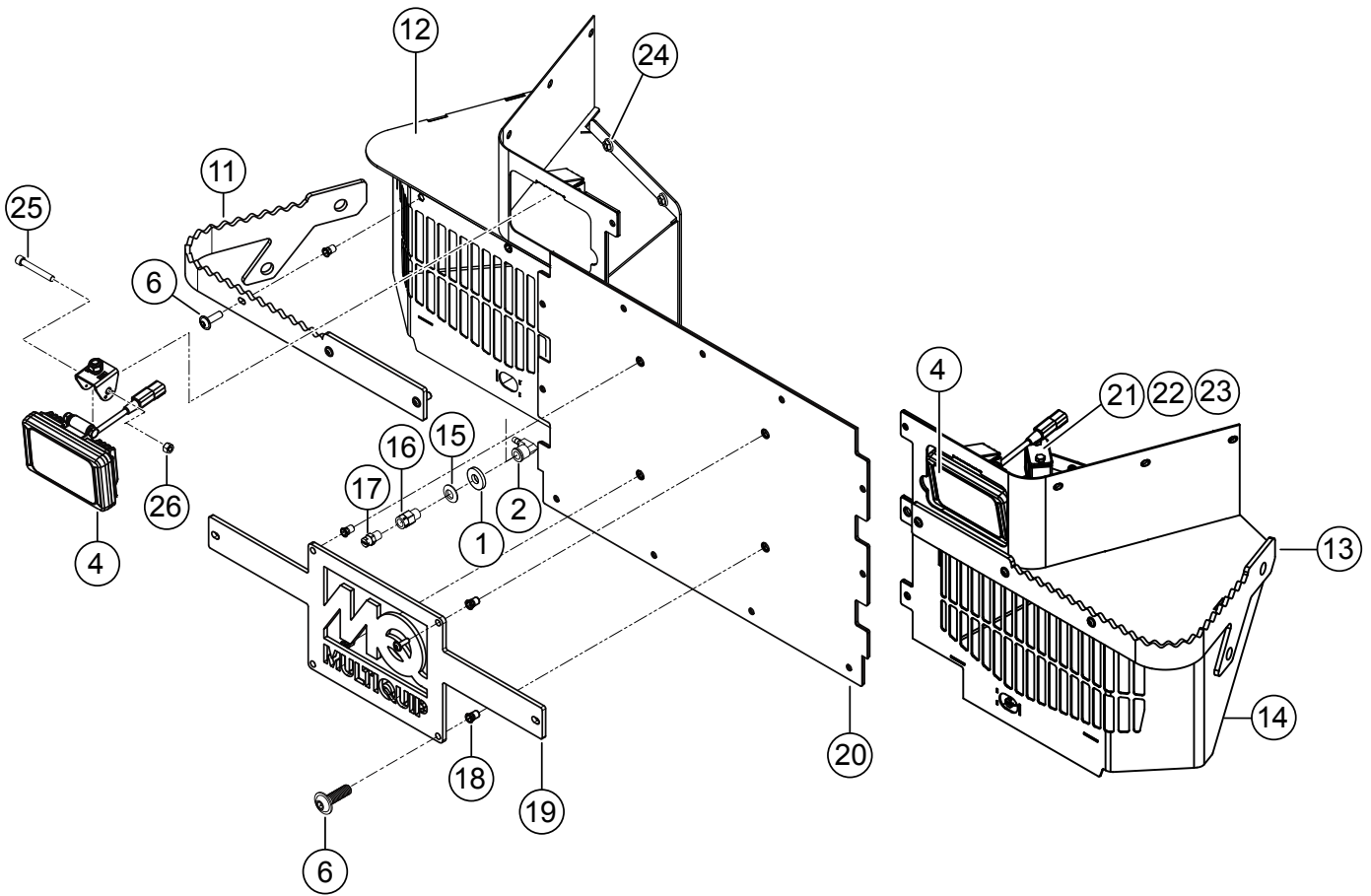
PLATFORM ASSY.



PLATFORM ASSY.

<u>NO.</u>	<u>PART NO.</u>	<u>PART NAME</u>	<u>QTY.</u>	<u>REMARKS</u>
1	42197	PEDAL, FOOT	1	
2	42491	FOOT PEDAL, EXT.	1	
5	42344	NUT, NYLOC M8-1.25, CLASS 8.8	5	
6	1605	SCREW, HHC M8-1.25 X 25MM	3	
7	42436	SCREW, HFS, ZP, M8-1.25 X 25MM, CLASS 8.8	2	

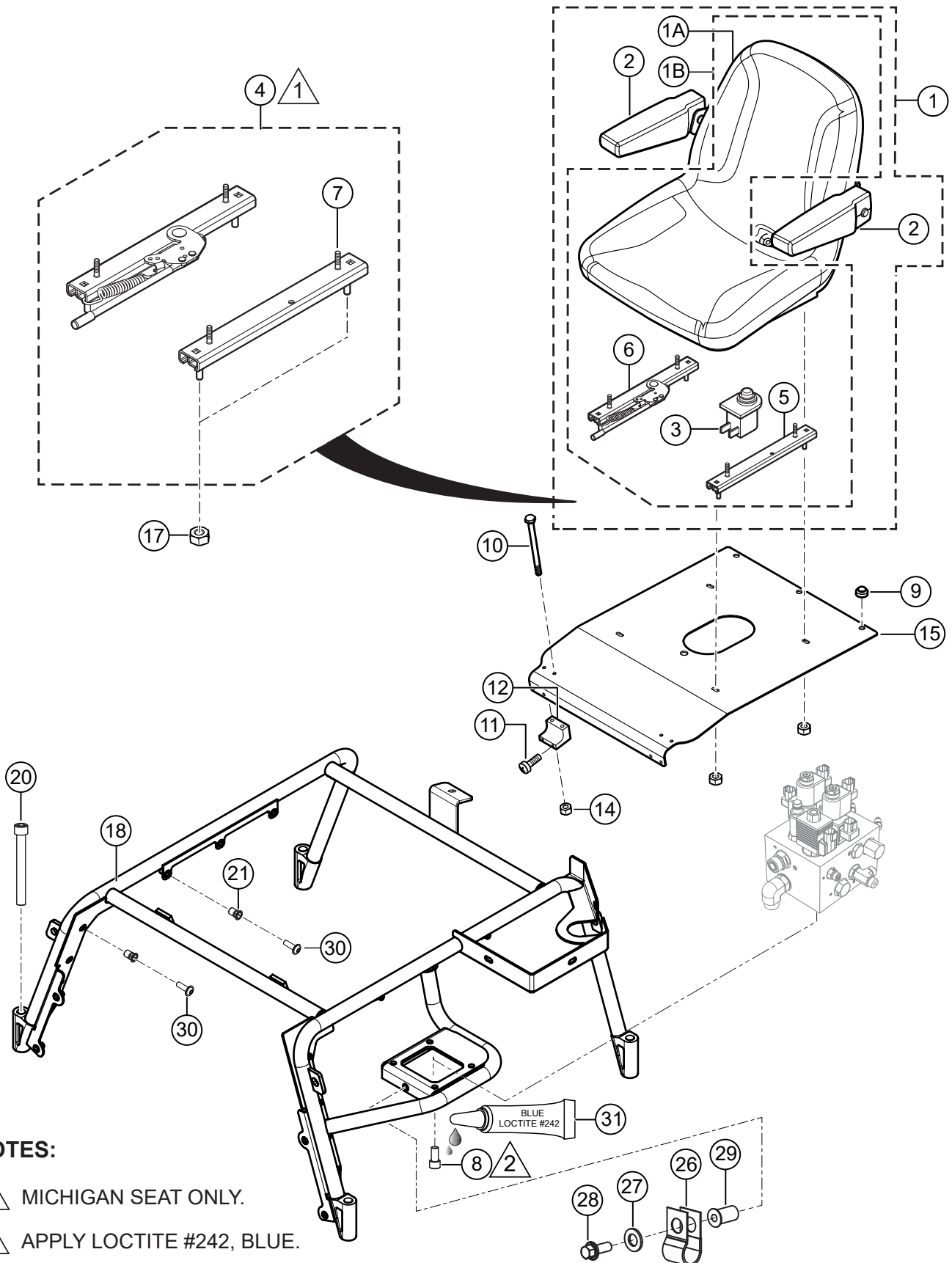
HYDRAULIC COOLER COWLING ASSY.





HYDRAULIC COOLER COWLING ASSY.

<u>NO.</u>	<u>PART NO.</u>	<u>PART NAME</u>	<u>QTY.</u>	<u>REMARKS</u>
1	16630	WASHER, FLAT, SAE 1/2 HI STREN	2	
2	2912	FITTING, BRASS 90 4BARB-1/4FP	2	
4	42263	LIGHT, LED 20W 6 EMITTERS 60°	2	
6	42325	SCREW, BHSC, M6-1.0 X 20, FLANGED	10	
11	42666	BADGE, RIGHT FOOT PLATFORM	1	
12	42660	MODULE, RIGHT HYDRAULIC COOLER	1	
13	42668	BADGE, LEFT FOOT PLATFORM	1	
14	42661	MODULE, LEFT HYDRAULIC COOLER	1	
15	2898	WASHER, BONDED NEOPRENE 1" X 1/2"	2	
16	42637	CHECK VALVE, 1/4 MNPT X 1/4 FNPT 3 PSI	2	
17	392292	NOZZLE, SPRAY	2	
18	42496	RIVNUT FASTENER, HALF HEX, M6 X 1	10	
19	42667	BADGE, MIDDLE FOOT PLATFORM	1	
20	42665	PANEL, FRONT FOOT PLATFORM	1	
21	32521	PLATE TOP, 2 BOLT #4	1	
22	32522	CLAMP MID-SECTION-2 BOLT #4	1	
23	32523	SCREW, HHC, M6-1 X 45MM	2	
24	42352	NUT, HEX, SERRATED-FLANGE, M6-1.0	8	
25	2186	SCREW, SHC 5/16-18 X 2-1/4" PLTD	2	
26	5283	NUT, NYLOC, 5/16-18	2	

SEAT FRAME ASSY.



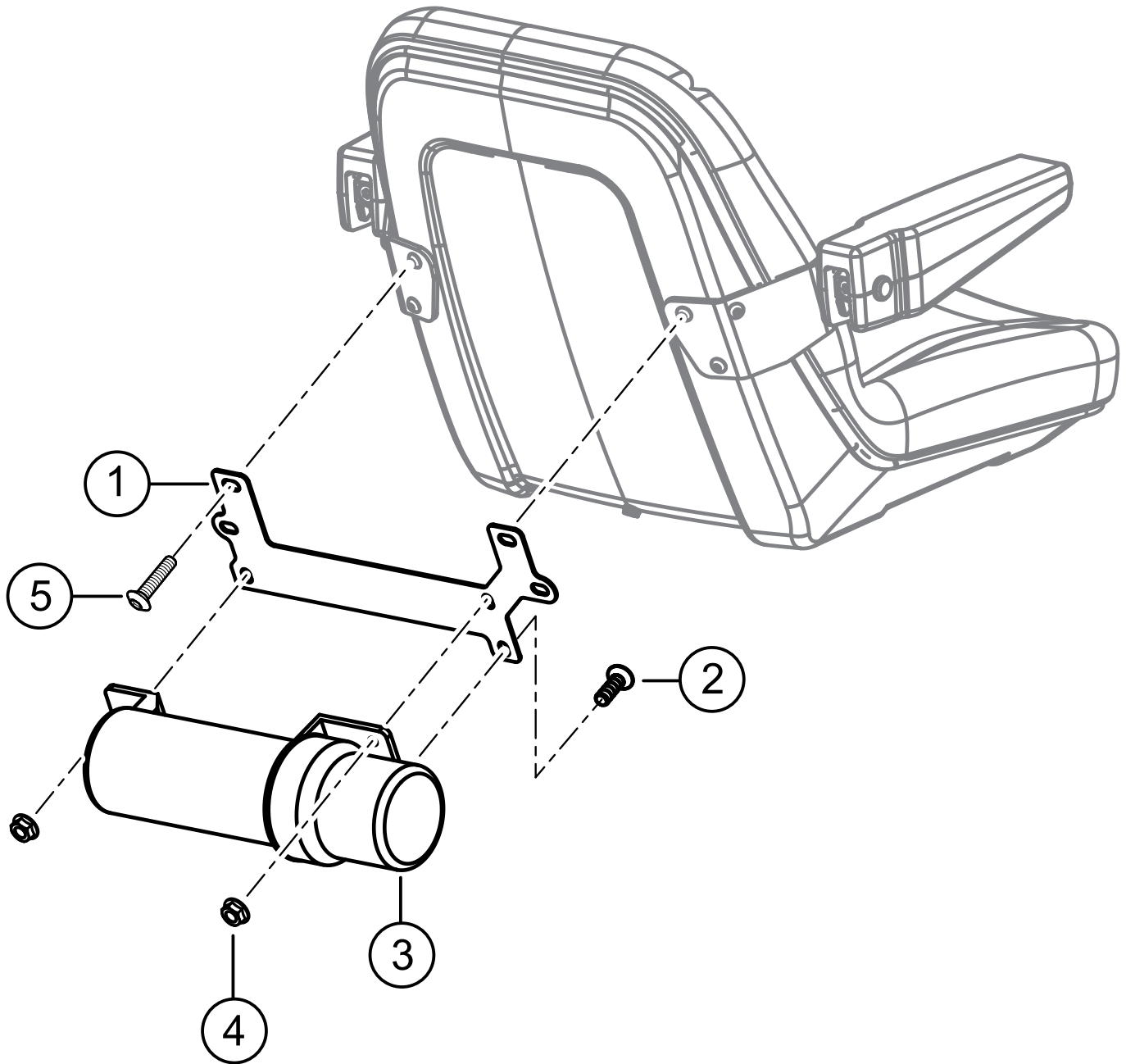
NOTES:

-  1 MICHIGAN SEAT ONLY.
-  2 APPLY LOCTITE #242, BLUE.

SEAT FRAME ASSY.

<u>NO.</u>	<u>PART NO.</u>	<u>PART NAME</u>	<u>QTY.</u>	<u>REMARKS</u>
1	21852-S	SEAT, ADJUSTABLE W/ ARMS, MICHIGAN	1.....	INCLUDES ITEMS W/\$ NO LONGER AVAILABLE
1	32960-SK	SEAT, ADJUSTABLE W/ ARMS, SEARS	1.....	INCLUDES ITEMS W/+
1A\$	21860	SEAT, BASIC MICHIGAN.....	1.....	NO LONGER AVAILABLE
1B+	32963-SK	SEAT, ADJUSTABLE WO ARMS, SEARS	1.....	INCLUDES ITEMS W/%
2\$	21868	ARM REST KIT, MICHIGAN	1	
2+	34792	ARM REST KIT, SEARS	1	
3\$	21870	KILL SWITCH, DELTA SYSTEMS 6440-62	1.....	REPLACES P/N 32980
3+%	32962	KILL SWITCH, SEARS	1	
4	21865	SEAT ADJUSTER KIT, MICHIGAN	1.....	INCLUDES ITEMS W/#
5+%	32964	SEAT ADJUSTER LH, SEARS	1	
6+%	32965	SEAT ADJUSTER RH, SEARS	1	
7#	0400 B	SCREW, HHC 5/16-8 X 1/2"	4	
8	17119	SCREW, SHC 3/8-16 X 3/4"	4	
9	21597	BUMPER STEM 1.0"D X .5S X .31	3	
10	25307	SCREW, HHC M6-1.0 X 50 MM	4	
11	12287	SCREW, THP 1/4-20 X 3/4" SS	4	
12	20685	BLOCK, OPERATOR SEAT PIVOT	2	
14	42352	NUT, HEX, SERRATED-FLANGE, M6-1.0	4	
15	42069	PLATE SEAT	1	
17	49071	NUT, FLANGED, 5/16-18 SERRATED	4	
18	45572	SEAT FRAME.....	1.....	INCLUDES ITEMS W/@
20	42437	SCREW, HHC M14, 2.0 X 100, CLASS 10.9	4	
21@	42496	RIVNUT, HALF HX BODY, LG FLANGE, M6 X 1.0	19	
26	8125	CLAMP, HOSE LOOP, 5/8" DIA, X .406 HOLE	1	
27	25591	WASHER, M8	1	
28	42542	SCREW, HHF, ZP M6-1.0 X 16	1	
29	49144	INSERT, M6-1, .165-.26 GRIP	1	
30	42325	SCREW, BHSC, M-1.0 X 20, FLANGED	8	
31	1477	LOCTITE #242 BLUE .5CC BOTTLE	AR	

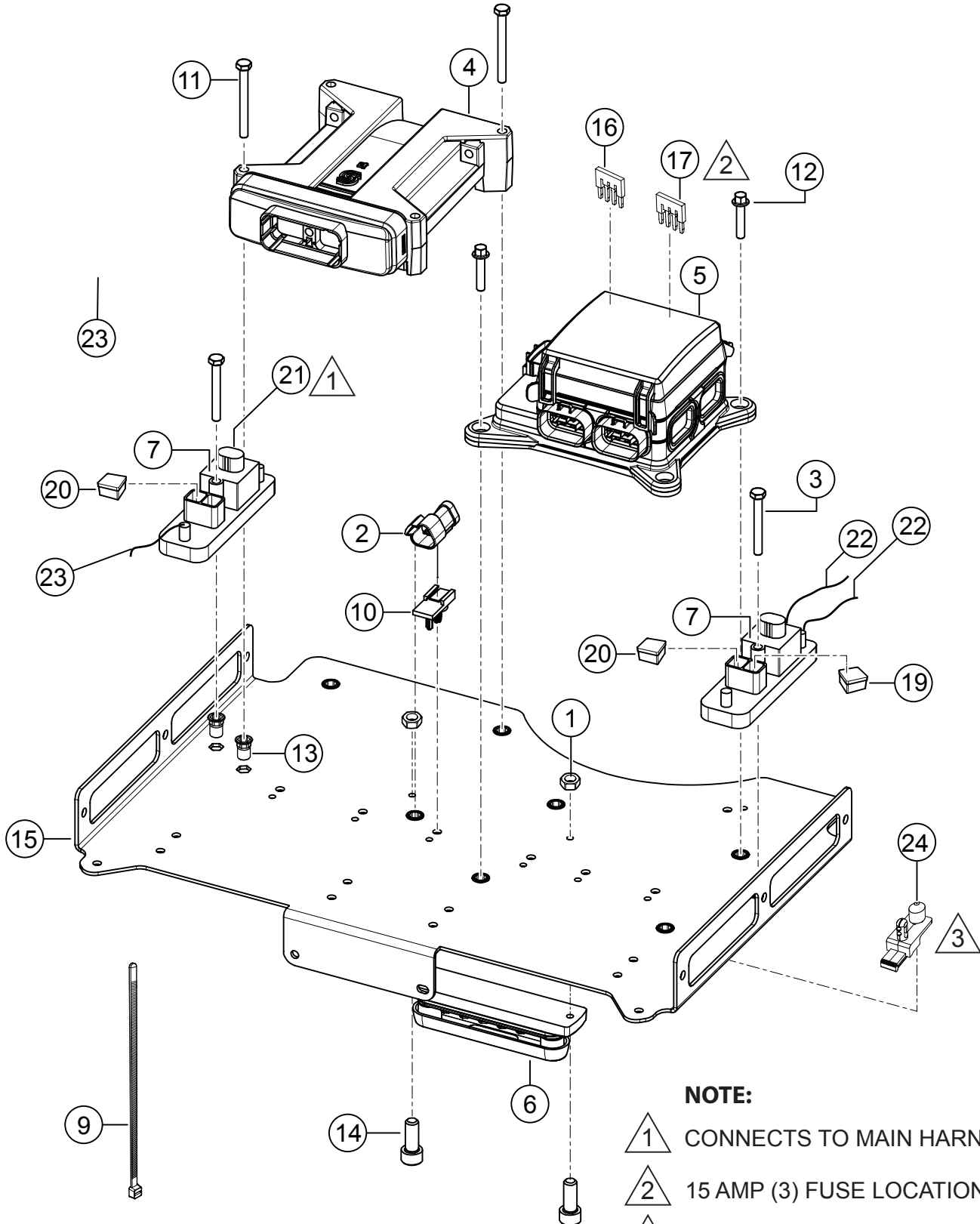
SEAT FRAME — DOCUMENT HOLDER ASSY.



SEAT FRAME — DOCUMENT HOLDER ASSY.

<u>NO.</u>	<u>PART NO.</u>	<u>PART NAME</u>	<u>QTY.</u>	<u>REMARKS</u>
1	42541	BRACKET, DOCUMENT HOLDER	1	
2	29712	BOLT, CARRIAGE, 1/4-20 X 3/4"	3	
3	23297	MANUAL HOLDER, PICTOGRAPH	1	
4	49070	NUT, FLANGED, 1/4-20 SERRATED PLTD	3	
5	21869	SCREW,CAP 5/16-18 x 5/8" SELF TAP BUTTON	6	

ELECTRICAL CONTROL PANEL ASSY.



NOTE:

△ 1 CONNECTS TO MAIN HARNESS.

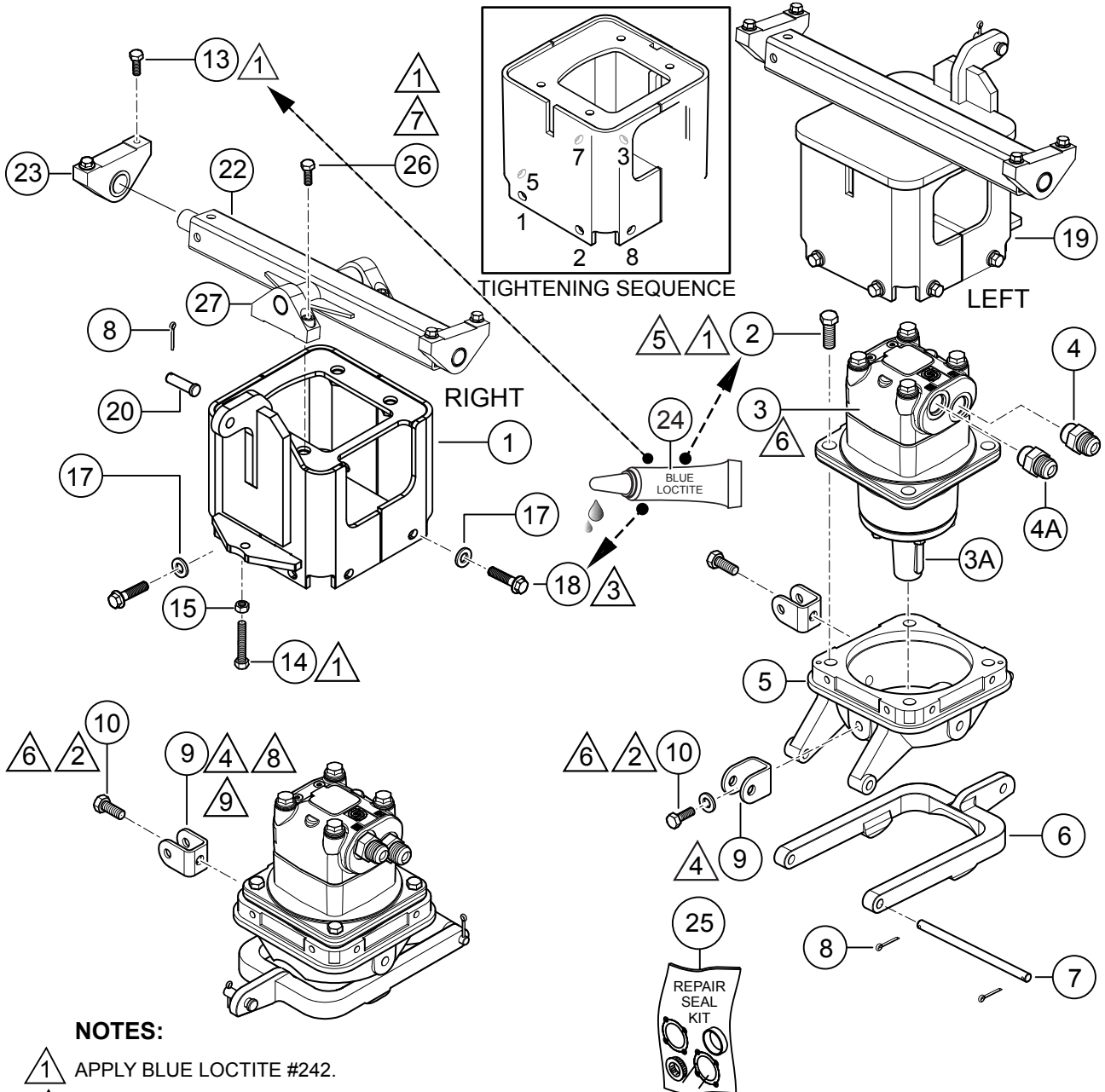
△ 2 15 AMP (3) FUSE LOCATION.

△ 3 INSERT ALONG MIDDLE HOLES.

ELECTRICAL CONTROL PANEL ASSY.

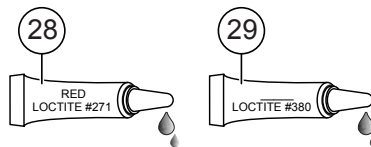
<u>NO.</u>	<u>PART NO.</u>	<u>PART NAME</u>	<u>QTY.</u>	<u>REMARKS</u>
1	1618	NUT, NYLOC 10-24	2	
2	22815	RECEP., RED. 120 OHM, DEUTSCH 3 POS.	1	
3	25307	SCREW, HHC M6-1.0 X 50MM	2	
4	42072	CONTROLLER, MC 050-120	1	
5	42119	FUSE BOX	1	
6	42124	BUSBAR, 10 POS, W\COVER	1	
7	42140	MODULE, POWER RELAY	2	
9	42315	TIE, CABLE ASSEMBLY	9	
10	42328	CLIP, MOUNTING DEUTCH 2 PIN	1	
11	42339	SCREW, HHC, ZP, M6-1.0 x 60, CLASS 8.8	4	
12	42347	SCREW, HFS, ZP, M6-1.0 x 30, CLASS 8.8	4	
13	42496	RIVNUT, HALF HX BODY, LG FLANGE	10	
14	923144	SCREW, SHC 10-24 X 1/2"	2	
15	42163	ELECTRICAL PANEL	1	
16	42438-05	FUSE, 5 AMP, ATM	1	
17	42438-15	FUSE, 15 AMP, ATM	4	
19	22725-200	FUSE, 20 AMP J CASE	1	
20	22725-600	FUSE, 60 AMP J CASE	2	
21	42917	HARNESS, MAIN	1	
22	42433	CABLE, BAT POSITIVE, 8GA, 8"	2	
23	42434	CABLE, BAT POSITIVE, 8GA 21"	1	
24	42314	CLIP, MOUNTING DELPHI 2 PIN	5	

PIVOT ASSY.



NOTES:

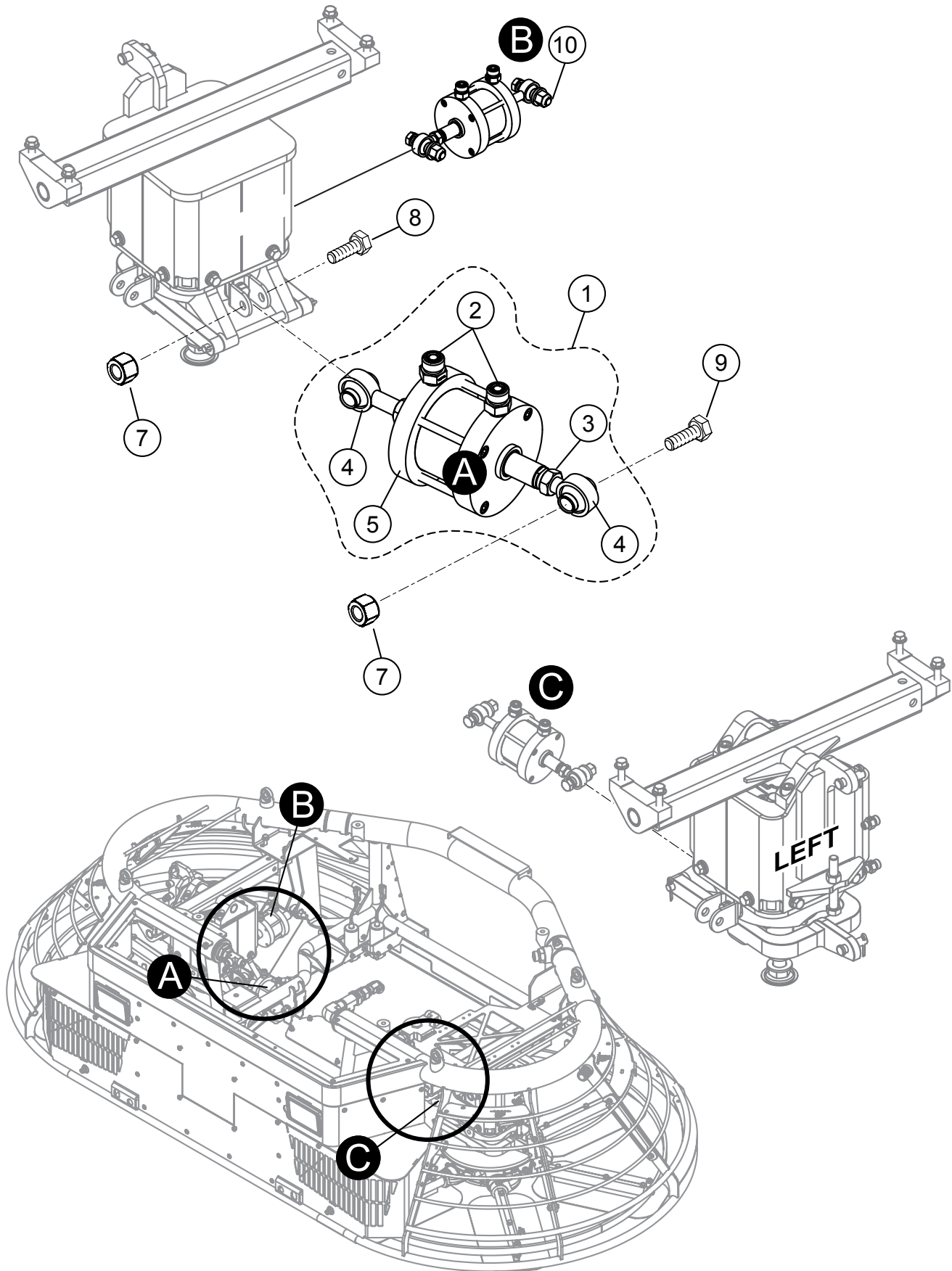
- ① APPLY BLUE LOCTITE #242.
- ② APPLY RED LOCTITE #271.
- ③ APPLY MINIMAL AMOUNT OF LPS ANTI-SEIZE GREASE TO THREADS OF SCREW (ITEMS 18).
HAND START SCREWS. FOLLOWING TIGHTENING SEQUENCE (SEE DIAGRAM ABOVE).
TORQUE SCREW ASSEMBLY (FIRST PASS) TO A VALUE OF 21 FT-LBS (28.47 N·m). FOLLOW
SAME SEQUENCE FOR FINAL TORQUE OF 41 FT-LBS (55.59 N·m).
- ④ CLEAN WITH NON-PETROLEUM BASE CLEANER BEFORE INSTALLING ITEMS 9 AND 10.
- ⑤ TORQUE BOLTS TO 125FT-LB (169.48 N.m.)
- ⑥ TORQUE BOLTS TO 57FT-LB (77.28 N.m.)
- ⑦ TORQUE BOLTS TO 76FT-LB (103.04 N.m.)
- ⑧ APPLY _____ LOCTITE #380.
- ⑨ APPLY _____ LOCTITE #7469.



PIVOT ASSY.

<u>NO.</u>	<u>PART NO.</u>	<u>PART NAME</u>	<u>QTY.</u>	<u>REMARKS</u>
1	42579	HOUSING, 2DOF MOTOR, RIGHT SIDE	1	
2	21376	SCREW, HHC 5/8-11 X 1-1/2"	8	
3	21855	MOTOR, HYD SAUER-DANFOSS.....	2.....	INCLUDES ITEMS W/\$
3A\$	11009878	SHAFT/BEARING HYD. MOTOR DANFOSS	2	
4	32357	FITTING, STR 10MORFS x -12MOR	2	
4A	32343	FITTING, STR -12MORFS X -12MOR	2	
5	20643	HOUSING, LOWER MOTOR HSG	2	
6	22738	YOKE, PITCH-MACHINED	2	
7	21022	PIN, YOKE PIVOT	2	
8	0183	PIN, COTTER 1/8D X 1-1/4"	8	
9	20787	CLEVIS, STEERING CYLINDER	3	
10	2691	SCREW, SCREW, HHC 1/2-13 X 1"	3	
13	22106	SCREW, HHFS 3/8-16 X 1-1/4" ZN	8	
14	25002	SCREW, HHC 1/2-13 X 3-1/2" TAP	2	
15	968011	NUT, HEX FINISH 1/2-13	2	
17	21707	WASHER, FLAT 3/8 NORDLOC	16	
18	22228	SCREW, HHF 3/8-16 X 1.00" GRD 8	16	
19	42585	HOUSING, MOTOR, LEFT SIDE	1	
20	22409	PIN, CLEVIS .50 X 1.50" STEEL ZINC PLTD	4	
22	42240	TRUNNION, SQ. DOUBLE DOF	1	
23	11555	PIVOT BLOCK ASSY., MOTOR MT W/BUSH	4	
24	1477	LOCTITE, BLUE #242 BLUE .5CC BOTTLE	AR	
25	32113	KIT, SEAL 151B0161-OMTW315, 400	2	
26	17333	SCREW, SHC, M12 - 1.75 X 45" SS	4	
27	42280	BLOCK, MOTOR MOUNT 2DOF PIVOT ASSY. 2.....		RIGHT SIDE ONLY
28	19379-014	LOCTITE, _____ #271	AR	
29	29562	LOCTITE, _____ #380	AR	

HYDRAULIC STEERING ASSY.



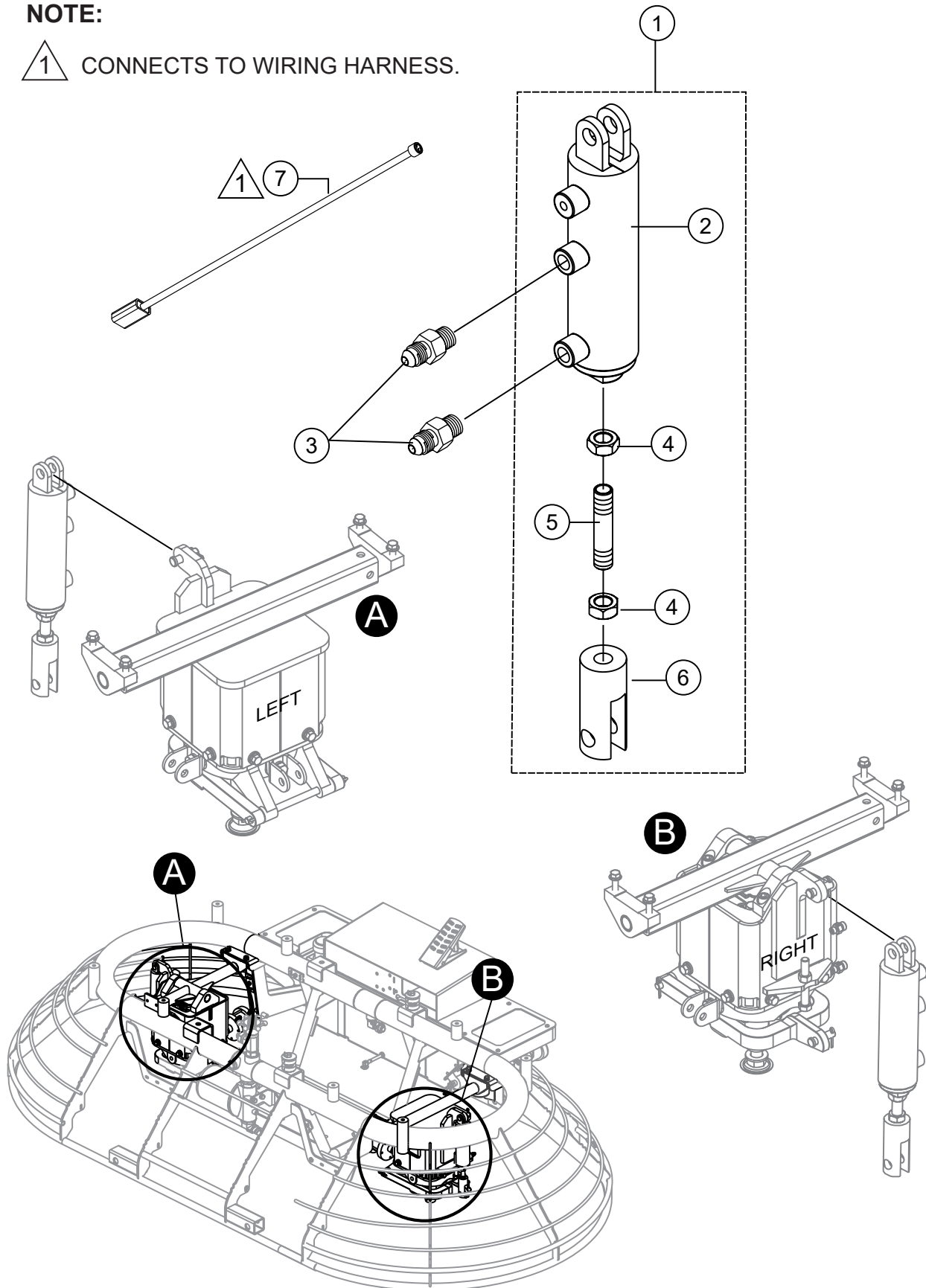
HYDRAULIC STEERING ASSY.

<u>NO.</u>	<u>PART NO.</u>	<u>PART NAME</u>	<u>QTY.</u>	<u>REMARKS</u>
1	42226	CYLINDER HYD. STEERING	2.....	INCLUDES ITEMS W/#
2#\$	32350	FITTING, STR -6MORFS X 1/4MP	6	
3#\$	11146	NUT, HEX JAM 1/2-20 PLATED	6	
4#\$	21944	ROD END, 1/2-20 M RH W/CUSTOM BALL	6	
5#\$	12056	CYL. 2.5" BORE X 1.5" STROKE X .75 ROD	3	
7#\$	10176	NUT, NYLOC 1/2-13	6	
8#\$	12318	SCREW, HHC 1/2-13 X 2-3/4"	2	
9#\$	13178	SCREW, HHC 1/2-13 X 2-1/4"	4	
10	42317	CYLINDER, HYD. STEERING	1.....	INCLUDES ITEMS W/\$

HYDRAULIC CYLINDER ASSY.

NOTE:

 CONNECTS TO WIRING HARNESS.



HYDRAULIC CYLINDER ASSY.

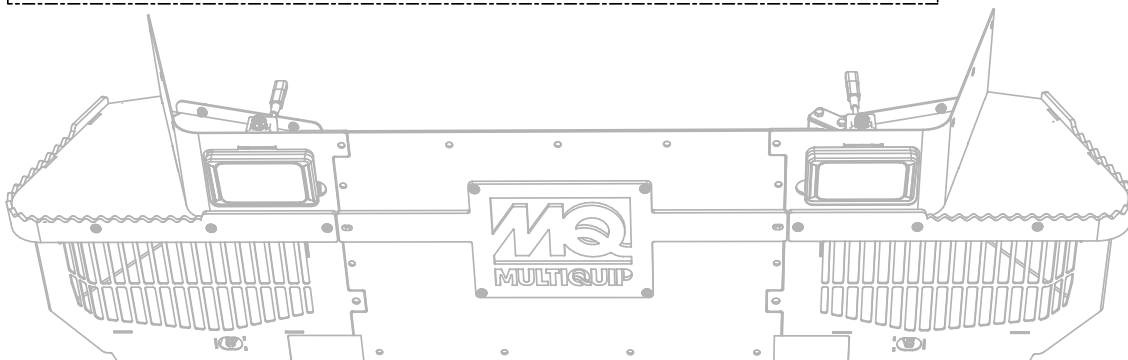
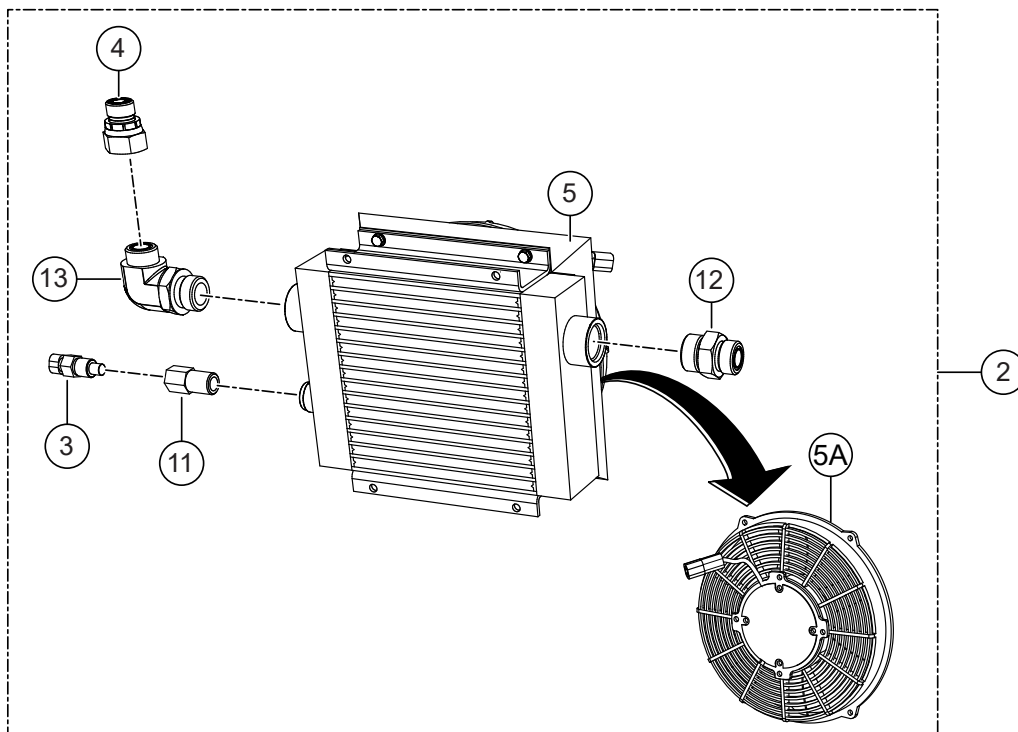
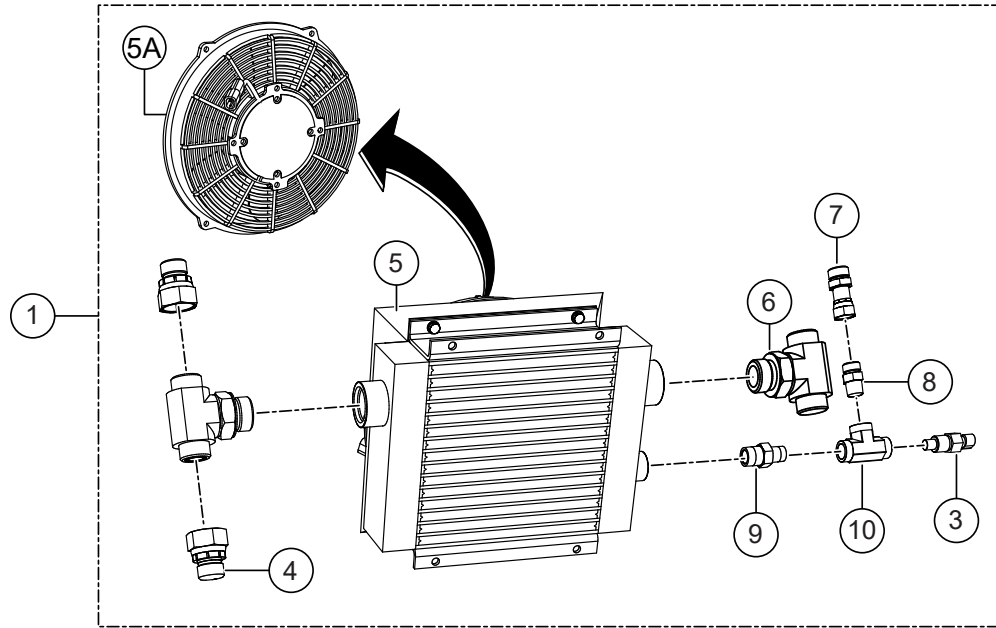
<u>NO.</u>	<u>PART NO.</u>	<u>PART NAME</u>	<u>QTY.</u>	<u>REMARKS</u>
1	32706-SK	KIT, HYDRAULIC PITCH CYLINDER.....	2.....	INCLUDESITEMSW#
2#	32673	CYLINDER, POSITION PITCH	2	
3	32340	FITTING, STR -4MORFS X -4MOR, RIGHT SIDE	2	
4#	11146	NUT, HEX JAM 1/2-20 PLATED	4	
5#	22279	SCREW, SHS 1/2-20 X 2.50"	2	
6#	23956	CLEVIS, SERVICE	2	
7	42035	PIGTAIL, PITCH CYLINDER WIRE ASSY.	2	

NOTICE

ITEM 1 P/N 32706-SK

UPDATE TO LATEST VERSION OF FIRMWARE.

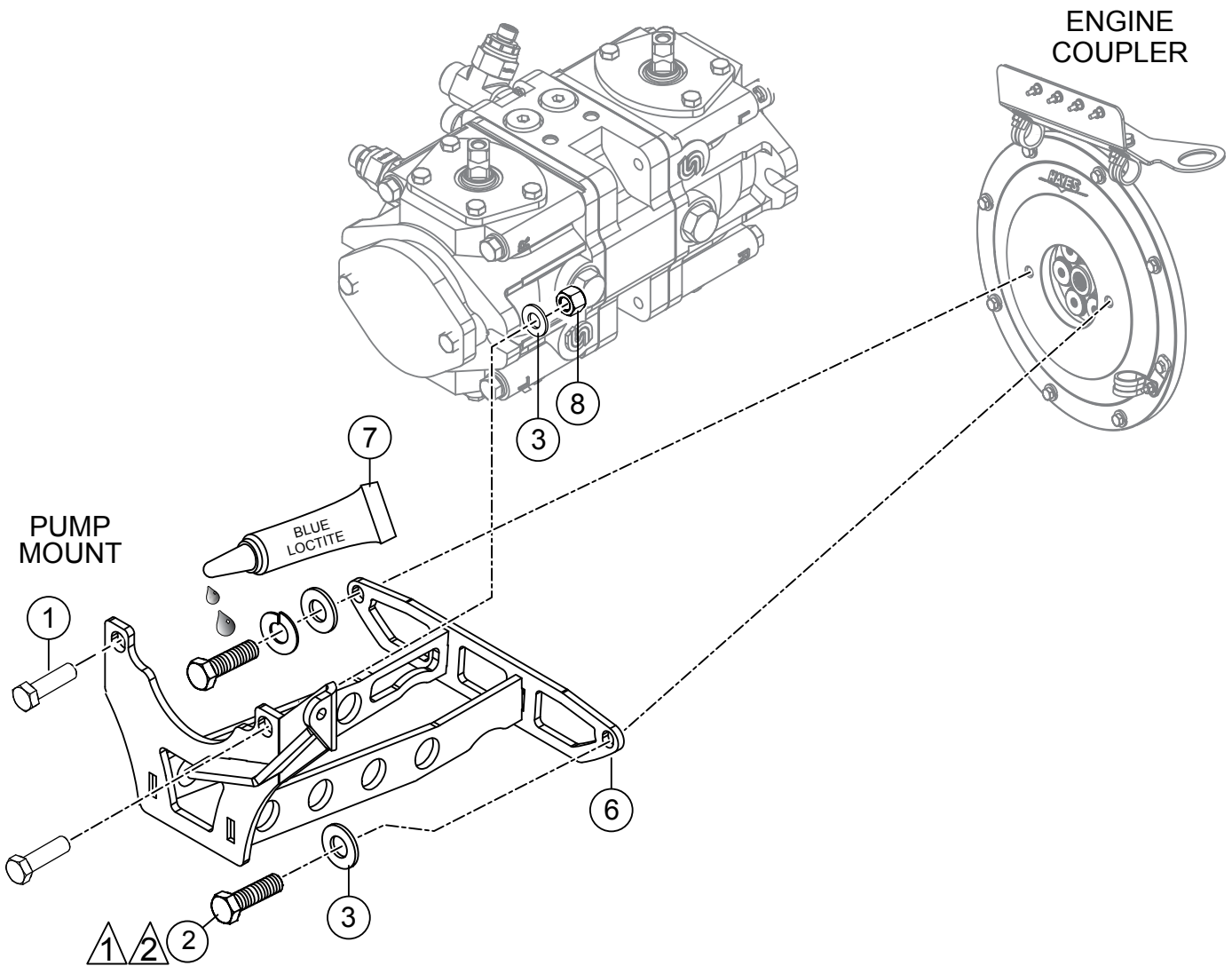
HEAT EXCHANGER ASSY. (LEFT AND RIGHT)





HEAT EXCHANGER ASSY. (LEFT AND RIGHT)

<u>NO.</u>	<u>PART NO.</u>	<u>PART NAME</u>	<u>QTY.</u>	<u>REMARKS</u>
1	42749	HEAT EXCHANGER, ROTOR LOOP, LEFT	1.....	INCLUDES ITEMS W/#
2	42750	HEAT EXCHANGER, CASE DRAIN, RIGHT	1.....	INCLUDES ITEMS W/\$
3#\$	22746	SENSOR,TEMPERATURE-HYD OIL	2	
4#\$	32705	FITTING, ADPT.,-12FORFSS x -10MORFS	3	
5#\$	42617	HEAT EXCHANGER, GEN. 3 HYD DRIVE	2.....	INCLUDES ITEMS W/@
5A#\$@	42617-01	FAN/MOTOR ASSY., 34A 12VDC	2	
6#	32702	FITTING,TEE -12MORFSX -12MORFS X -16MORB	2	
7#	32703	FITTING, ADAPTER, -6MORFSx-6FORFSx.094"	1	
8#	32707	FITTING, 6MORFS X 06MP STR	1	
9#	32723	FITTING, 1/2-14 MNPT x 3/8-18 MNPT	1	
10#	366735	FITTING, TEE 3/8FP - 3/8FP - 3/8FP	1	
11\$	32701	FITTING,ADAPTER 1/2-14 MNPTx3/8-18 FNPT	1	
12\$	32704	FITTING,ADAPTER -16MORB X -12MORFS	1	
13\$	42974	FITTING, 90 16 MOR x 12 MORFS	1	

PUMP MOUNTING BRACKET ASSY.



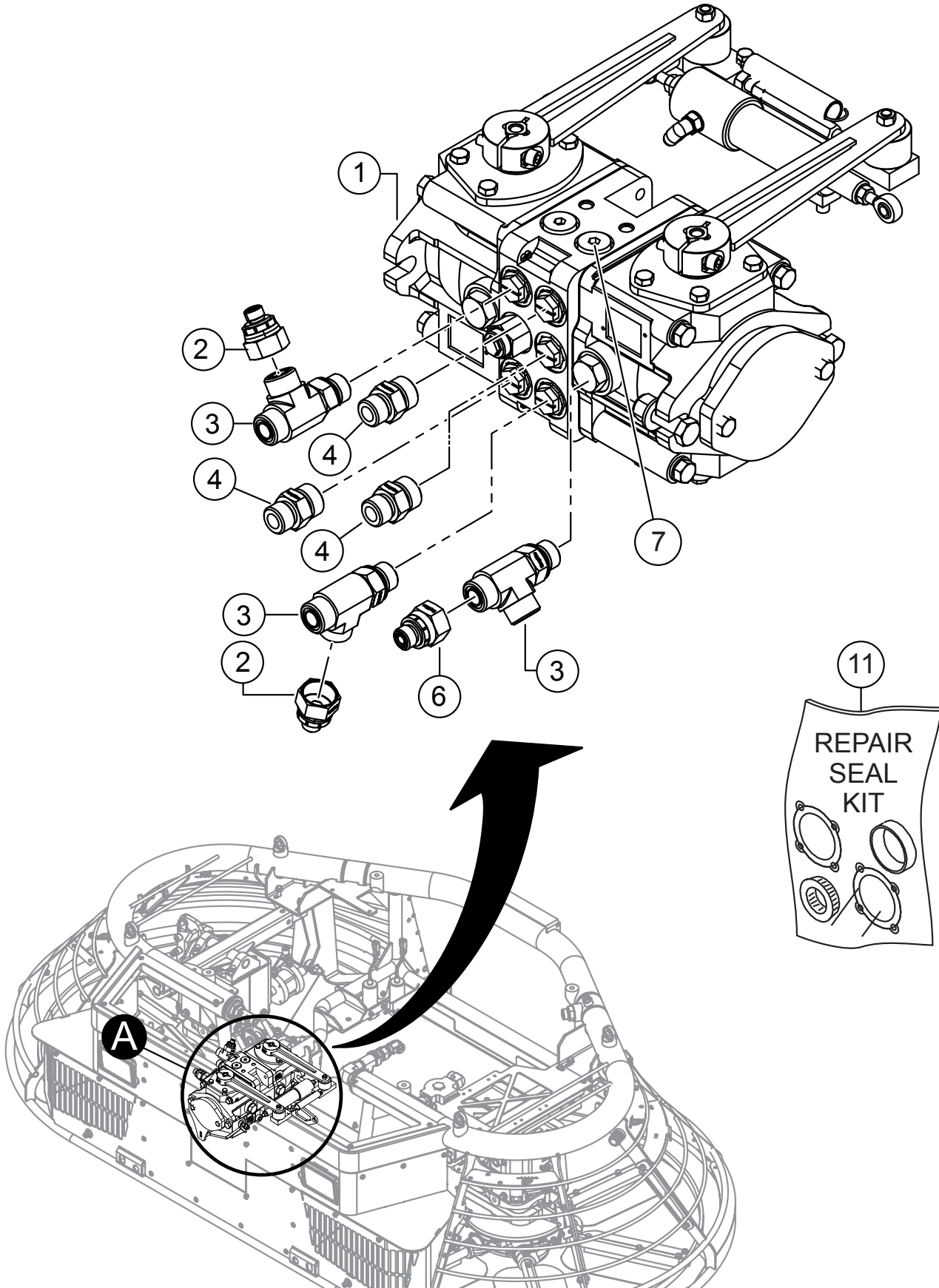
NOTES:

-  APPLY BLUE LOCTITE™
-  TORQUE TO 46 FT-LBS 62.3 N·m

PUMP MOUNTING BRACKET ASSY.

<u>NO.</u>	<u>PART NO.</u>	<u>PART NAME</u>	<u>QTY.</u>	<u>REMARKS</u>
1	3242	SCREW, HHC 1/2-13 X 1-3/4"	2	
2	5218	SCREW, HHC 1/2-13 X 1-1/2"	2	
3	16630	WASHER, FLAT SAE 1/2 HI STRENGTH	4	
6	42158	SUPPORT, HYDRAULIC PUMP	1	
7	1477	LOCTITE, BLUE #242	AR	
8	10176	NUT, NYLOC 1/2-13	2	

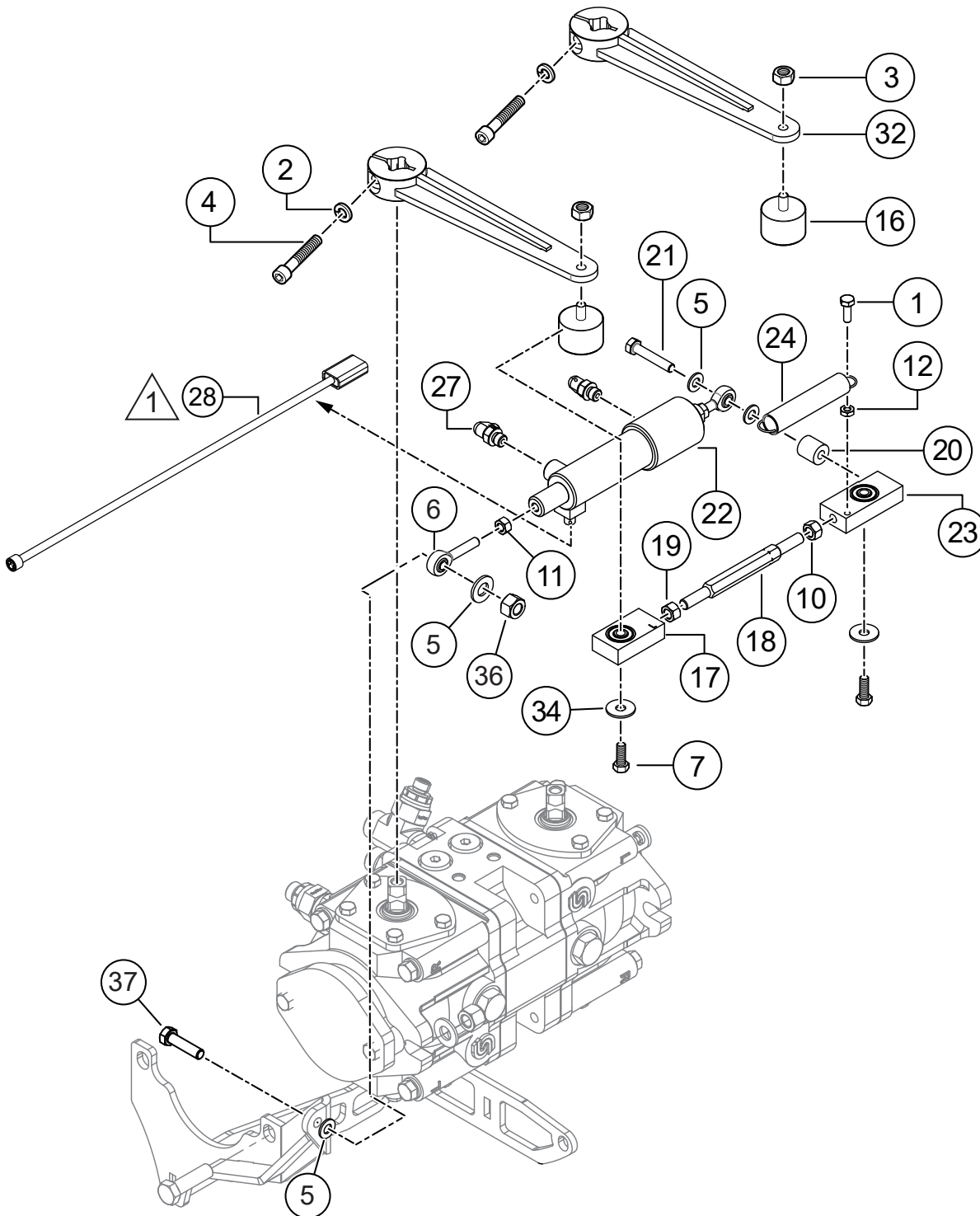
PUMP FITTINGS ASSY.



PUMP FITTINGS ASSY.

<u>NO.</u>	<u>PART NO.</u>	<u>PART NAME</u>	<u>QTY.</u>	<u>REMARKS</u>
1	32283	PUMP ASM,TANDEM-M25 W/O GP	1	
2	32429	FITTING, STR 10FORFS x 4MORFS	2	
3	32360	FITTING, TEE-R -10MORFS x -10MOR	3	
4	32342	FITTING, STR -10MORFS x -10MOR	3	
6	32355	FITTING, STR -6MORFS x -10FORS	1	
7	22177	VALVE, PRES. RELIEF, 300 BAR	2	
11	32114	REPAIR/SEAL KIT, SAUER M25	2	

PUMP LEVERS ASSY.



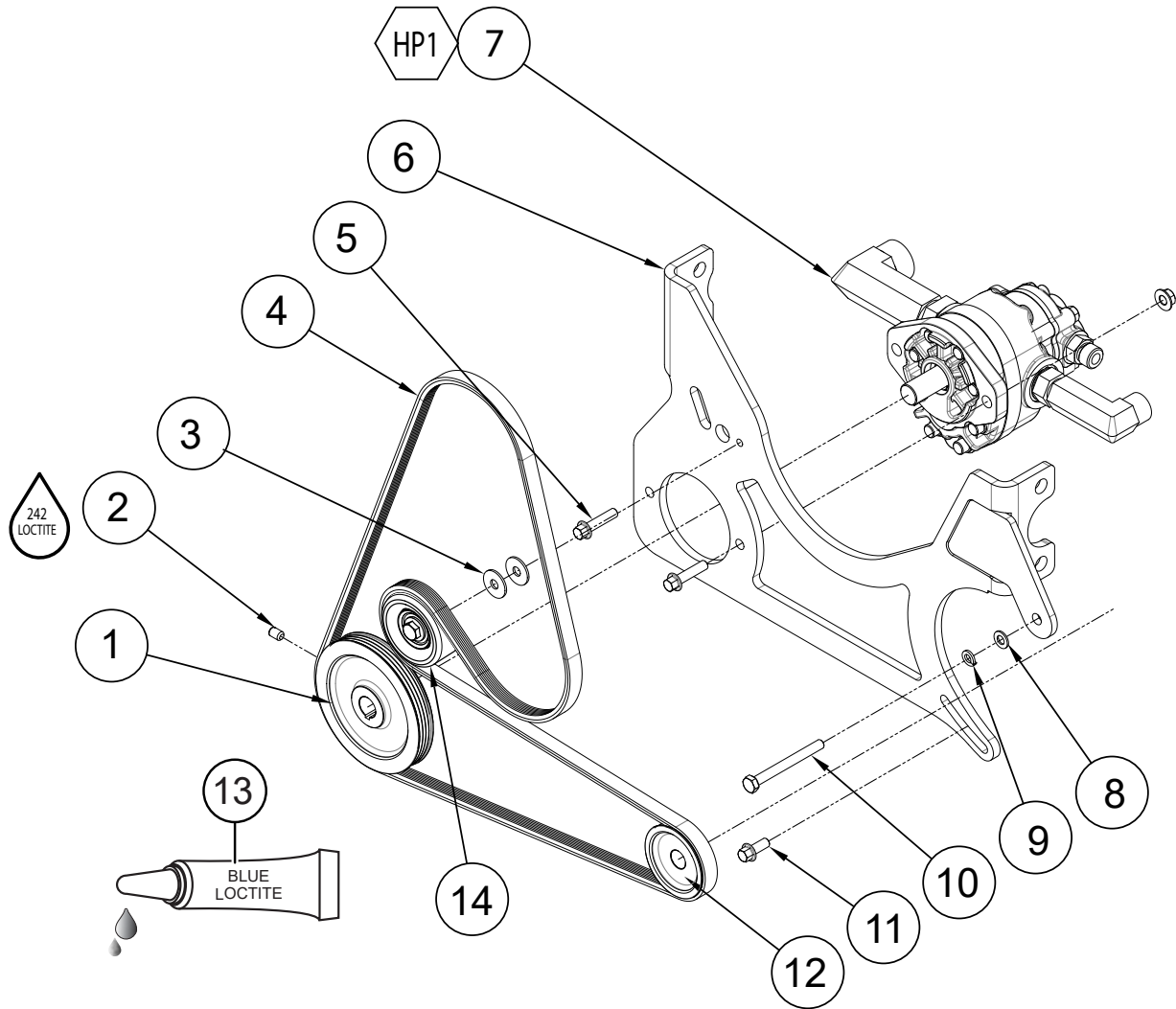
NOTE:

 CONNECTS TO WIRING HARNESS.

PUMP LEVERS ASSY.

<u>NO.</u>	<u>PART NO.</u>	<u>PART NAME</u>	<u>QTY.</u>	<u>REMARKS</u>
1	0131 A	SCREW, HHC 1/4-20 X 3/4"	1	
2	0161 C	WASHER, LOCK 5/16 MED	2	
3	0161 D	NUT, HEX FINISH 5/16-18	2	
4	0243	SCREW, SHC 5/16-18 X 1-3/4"	2	
5	0300 B	WASHER, FLAT, SAE 5/16"	4	
6	1723	ROD END, 5/16-24 MALE RH	2	
7	2623	SCREW, HHC 5/16-18 X 1.25"	2	
10	5023 B	NUT, HEX FINISH 3/8-24 PLAIN	1	
11	6014 C	NUT, HEX FINISH 5/16-24	2	
12	07034-004	NUT, HEX JAM 1/4-20	1	
16	21231	ISOLATOR PLATE STUD 5/16	2	
17	21267	BEARING BLOCK ASSEMBLY, PUMP CONTROL LH	1	
18	21301	ROD, PUMP ACTUATOR M25	1	
19	21342	NUT, HEX FINISH 3/8-24 PLAIN	1	
20	21391	SPACER, .75OD X .318ID X .75L	1	
21	22024	SCREW, HHC 5/16-24 X 1-3/4" GR 5 ZINC	1	
22	32674	CYLINDER, PUMP STROKING #661563	1	
23	22650	BEARING, BLOCK ASSEMBLY PUMP CONTROL RH-LG	1	
24	22716	SPRING, EXT. .75OD X 4.50" X .062	1	
27	32347	FITTINGS, 90 -4MORFS X -4MOR	2	
28	42035	WIRE ASSEMBLY, SMART CYLINDER PIGTAIL 4-PIN	1	
32	42142	NUT, HEX FINISH 5/16-18	2	
34	933213	WASHER, FENDER 5/16 X 1 ZINC	2	
36	2656	NUT, NYLOC 5/16-24	1	
37	10181	SCREW, HHC, 5/16-24 X 1-1/4"	1	

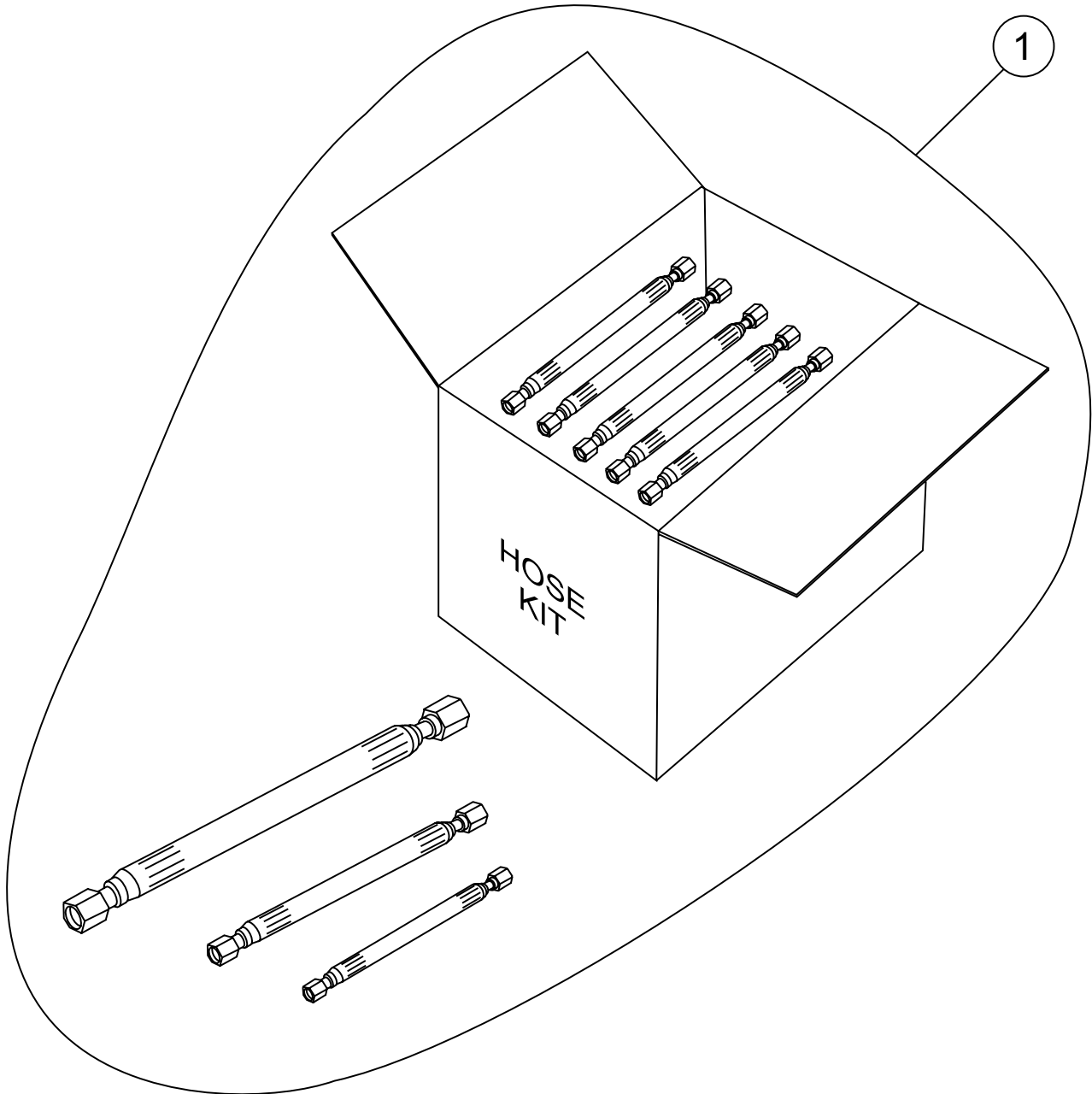
CHARGE PUMP ASSY.



CHARGE PUMP ASSY.

<u>NO.</u>	<u>PART NO.</u>	<u>PART NAME</u>	<u>QTY.</u>	<u>REMARKS</u>
1	42184	PULLEY, CHARGE PUMP	1	
2	38052	SCREW, SHSCU M8-1.25 X 12 DIN916	1	
3	933213	WASHER, FENDER 5/16 X 1 ZINC	2	
4	42054	BELT, MICRO-V AT	1	
5	42345	SCREW, HHFS M8-1.25 X 35MM	2	
6	42320	ENGINE ACCESSORY W / A HTX	1	
7	42373	CHG PUMP FITTING ASM, HTXG6	1	
8	25591	WASHER, FLAT M8 PLATED	1	
9	42358	WASHER, SPLIT LOCK, M8	1	
10	42338	SCREW, HHC, M8-1.25 X 80	1	
11	42343	SCREW, HFS, ZP M8-1.25X20, CLASS 8.8	1	
12	42300	PULLEY, 11SI ALTERNATOR, 3 GROOVE	1	
13	1477	LOCTITE, BLUE #242	AR	
14	42009-02	PULLEY, CHARGE PUMP	1	

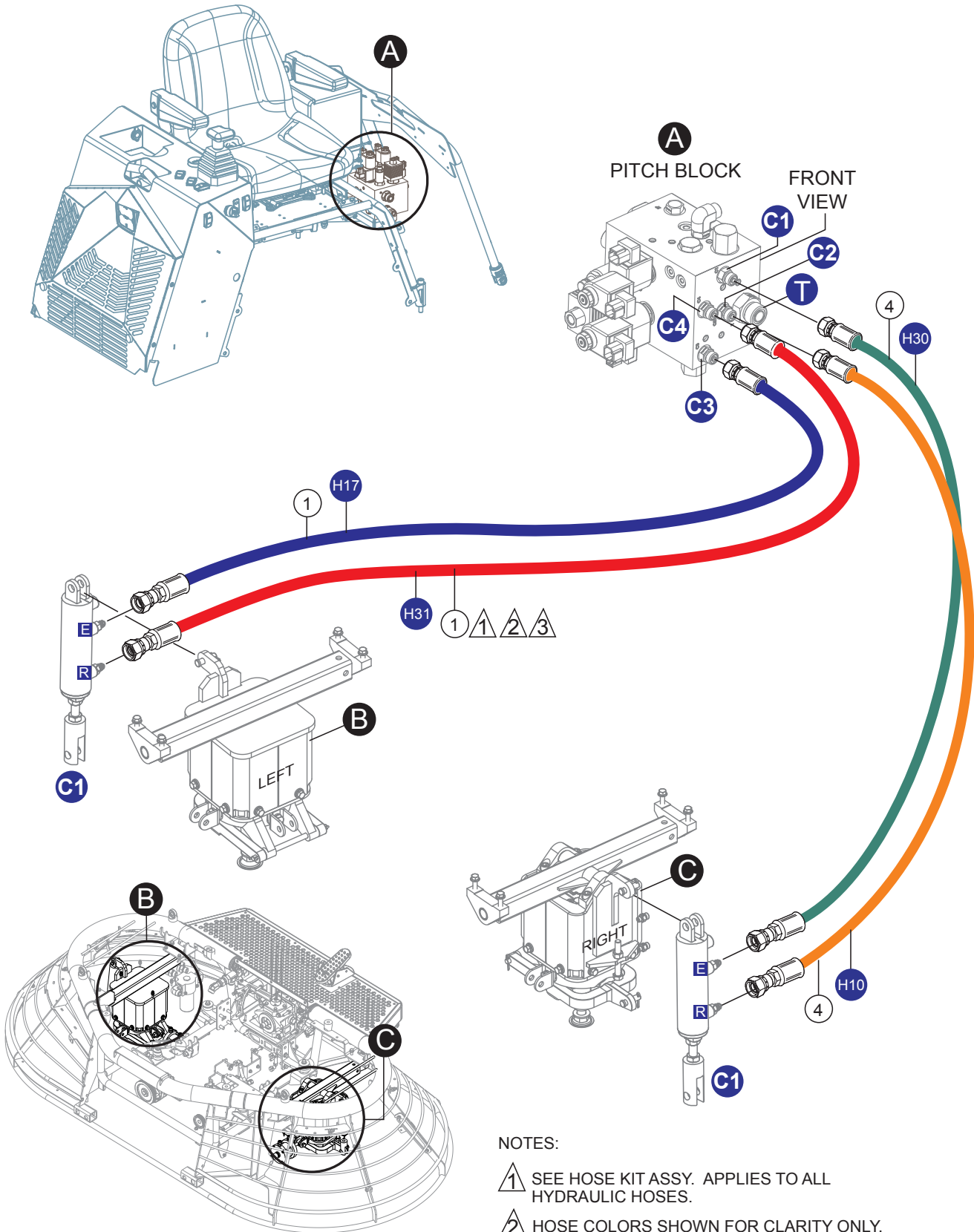
HYDRAULIC HOSE KIT ASSY. COMPLETE



HYDRAULIC HOSE KIT ASSY. COMPLETE

NO.	PART NO.	PART NAME	QTY.	REMARKS
1	32490	HOSE KIT ASSY.....	1.....	INCLUDES ITEMS BELOW
	32301	HOSE ASM,5/8"IDx47"10FORFSx10FORFS90 5K	1	
	32302	HOSE ASM,1.0"IDx26.00"16FORFSx16FORFS90°	1	
	32303	HOSE ASM,5/8IDx23"10FORFS x10FORFS90	1	
	32304	HOSE ASM,5/8IDx36"10FORFSx10FORFS45	1	
	32305	HOSE ASM,5/8"IDx22"10FORFSx10FORFS	1	
	32306	HOSE ASM,3/4IDx35"10FORFSx12FORFS90	1	
	32307	HOSE ASM,3/4IDx35.5"12FORFSx12FORFS45	1	
	32307	HOSE ASM,3/4IDx35.5"12FORFSx12FORFS45	1	
	32308	HOSE ASM,1/2"IDx26.62"10FORFSx8FORFS90HS	1	
	32313	HOSE ASM,1/4"IDx87.00"4FORFSx4FORFS	1	
	32314	HOSE ASM,3/4IDx64"10FORFSx12FORFS90	1	
	32315	HOSE ASM, 3/8"ID x 58.00" -6FOR x -6FOR45	1	
	32316	HOSE ASM,3/8"IDx58.50"6FORFSx6FORFS45	1	
	32316	HOSE ASM,3/8"IDx58.50"6FORFSx6FORFS45	1	
	32317	HOSE ASM,3/8IDx58"6FORFSx6FORFS45	1	
	32318	HOSE ASM,1/4IDx11"4FORFSx6FORFS45	1	
	32319	HOSE ASM,1/4"IDx61"4FORFSx4FORFS45	1	
	32320	HOSE ASM,3/8IDx66"6FORFSx6FORFS45	1	
	32321	HOSE ASM,3/8IDx63"6FORFSx6FORFS45	1	
	32323	HOSE ASM,3/8IDx38.00"6FORFSx6FORFS	1	
	32324	HOSE ASM,3/8IDx33"6FORFSx6FORFS	1	
	32326	HOSE ASM,3/8IDx39"6FORFSx6FORFS90	1	
	32327	HOSE ASM,3/8IDx14"6FORFSx6FORFS90	1	
	32328	HOSE ASM,1/4IDx19"4FORFSx4FORFS90	1	
	32334	HOSE ASM,5/8IDx24.5"10FORFSx10FORFS45	1	
	32335	HOSE ASM,5/8IDx17"10FORFSx10FORFS90	1	
	32336	HOSE ASM,5/8IDx48"10FORFSx10FORFS90	1	
	32408	HOSE ASM,3/8"IDx122"6FORFSx6FORFS	1	
	32408	HOSE ASM,3/8"IDx122"6FORFSx6FORFS	1	
	32409	HOSE ASM,1/4"IDx87"4FORFSx4FORFS	1	
	32410	HOSE ASM,1/4"IDx61" 4FORFSx4FORFS	1	
	32411	HOSE ASM,3/4IDx23.5"12FORFSx12FORFS45	1	
	32412	HOSE ASM,3/8"IDx21.5"6FORFS45x4FORFSSTR	1	
	32413	HOSE ASM,3/8IDx13"6FORFSx6FORFS45	1	
	32414	HOSE ASM,3/8IDx77"6FORFSx6FORFS	1	
	32415	HOSE ASM,1/4IDx22"4FORFSx4FORFS90 5K	1	
	32416	HOSE ASM,1/4IDx27"4FORFSx4FORFS90 5K	1	
	32417	HOSE ASM,1/4"IDx21"4FORFSx6FORFS	1	
	32418	HOSE ASM,1/4"IDx36"4FORFSx6FORFS	1	
	32419	HOSE ASM,3/8IDx40.5"6FORFSx6FORFS90	1	
	32420	HOSE ASM,5/8IDx34"10FORFSx10FORFS90	1	
	32465	HOSE ASM,3/4"IDx23.50"10FORFS90x12FORFS	1	

HYD. HOSE ASSY. (P. BLOCK PORTS C1 ~C4)



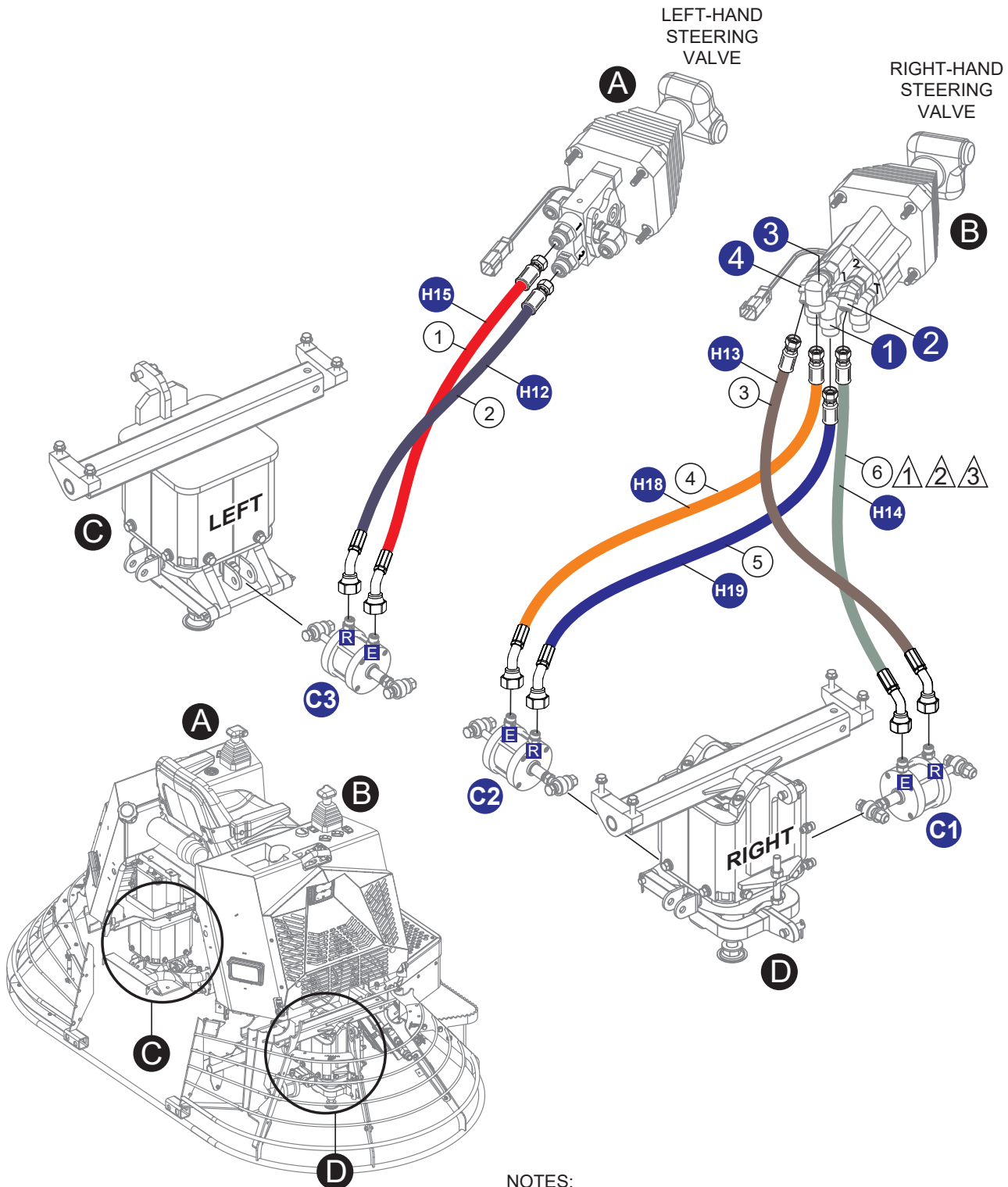
NOTES:

- ① SEE HOSE KIT ASSY. APPLIES TO ALL HYDRAULIC HOSES.
- ② HOSE COLORS SHOWN FOR CLARITY ONLY.
- ③ REFERENCE DRAWING 42000L FOR HOSE REFERENCE DESIGNATOR.

HYD. HOSE ASSY. (P. BLOCK PORTS C1 ~C4)

<u>NO.</u>	<u>PART NO.</u>	<u>PART NAME</u>	<u>QTY.</u>	<u>REMARKS</u>
1	32319	HOSE ASM,1/4"IDx61"4FORFSx4FORFS45	2	HOSE 17, 31
4	32313	HOSE ASM,1/4"IDx87.00"4FORFSx4FORFS	2	HOSE 10, 30

HYD. HOSE ASSY. (LH-RH STEERING VALVES #1)



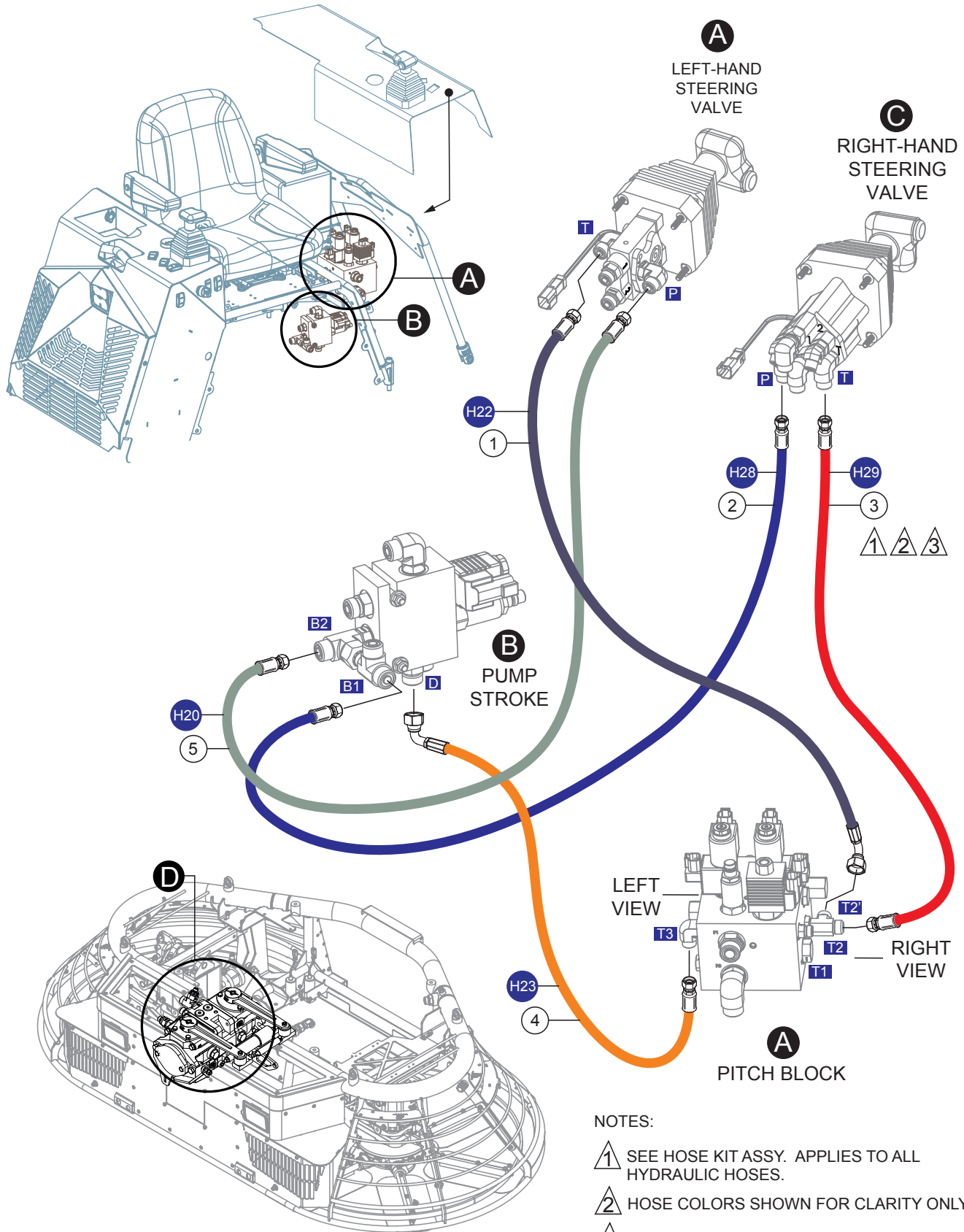
NOTES:

- ① SEE HOSE KIT ASSY. APPLIES TO ALL HYDRAULIC HOSES.
- ② HOSE COLORS SHOWN FOR CLARITY ONLY.
- ③ REFERENCE DRAWING 42000L FOR HOSE REFERENCE DESIGNATOR.

HYD. HOSE ASSY. (LH-RH STEERING VALVES #1)

<u>NO.</u>	<u>PART NO.</u>	<u>PART NAME</u>	<u>QTY.</u>	<u>REMARKS</u>
1	32317	HOSE ASM, 3/8" ID x 58" 6FORFSx6FORFS45	1	
2	32315	HOSE ASM, 3/8" ID x 58.00" -6FOR x -6FOR45	1	
3	32316	HOSE ASM, 3/8" ID x 58.50" 6FORFSx6FORFS45	1	
4	32320	HOSE ASM, 3/8" ID x 66" 6FORFSx6FORFS45	1	
5	32321	HOSE ASM, 3/8" ID x 63" 6FORFSx6FORFS45	1	
6	32316	HOSE ASM, 3/8" ID x 58.50" 6FORFSx6FORFS45	1	

HYD. HOSE ASSY. (LH-RH STEERING VALVES #2)



NOTES:

- ① SEE HOSE KIT ASSY. APPLIES TO ALL HYDRAULIC HOSES.
- ② HOSE COLORS SHOWN FOR CLARITY ONLY.
- ③ REFERENCE DRAWING 42000L FOR HOSE REFERENCE DESIGNATOR.

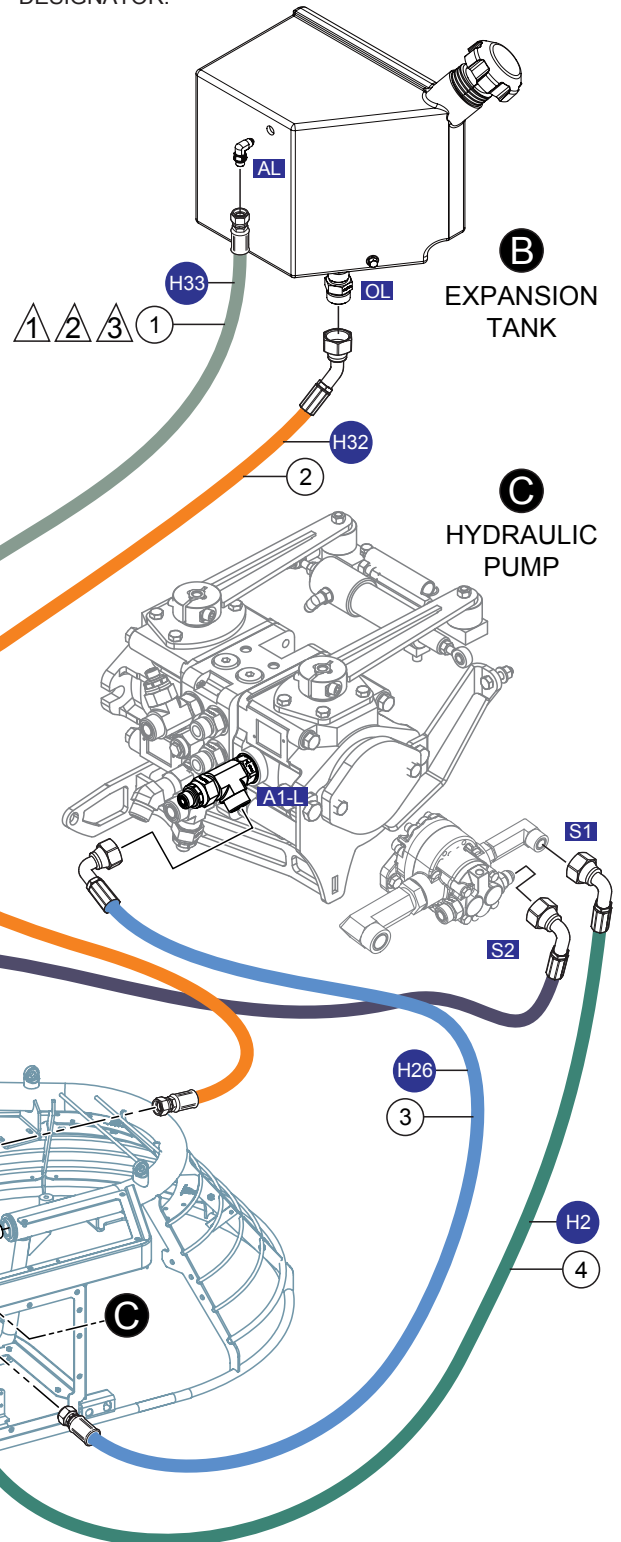
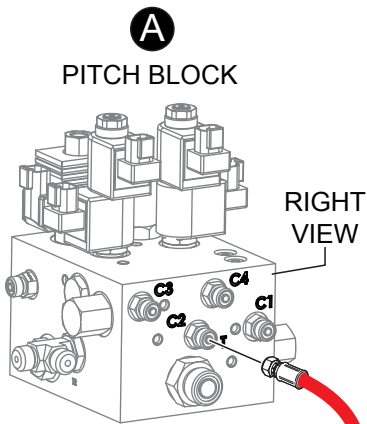
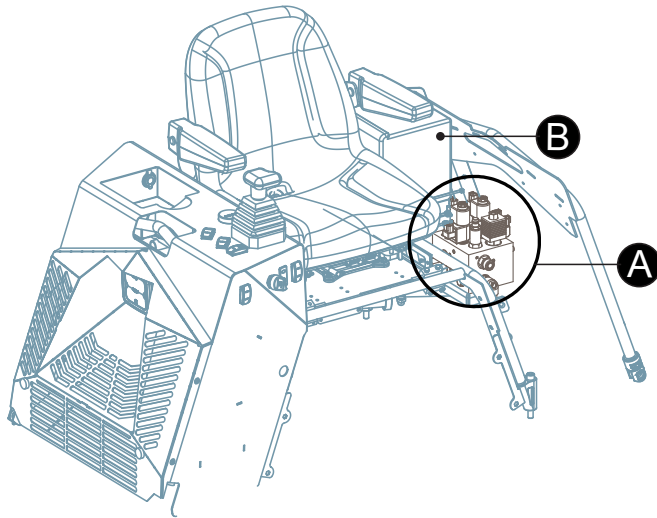
HYD. HOSE ASSY. (LH-RH STEERING VALVES #2)

<u>NO.</u>	<u>PART NO.</u>	<u>PART NAME</u>	<u>QTY.</u>	<u>REMARKS</u>
1	32326	HOSE ASM, 3/8" ID x 39" 6FORFSx6FORFS90	1	
2	32408	HOSE ASM, 3/8" ID x 122" 6FORFSx6FORFS	1	
3	32408	HOSE ASM, 3/8" ID x 122" 6FORFSx6FORFS	1	
4	32327	HOSE ASM, 3/8" ID x 14" 6FORFSx6FORFS90	1	
5	32323	HOSE ASM, 3/8" ID x 38.00" 6FORFSx6FORFS	1	

HYD. HOSE ASSY. (P. BLOCK/FRAME/TANK/PUMP)

NOTES:

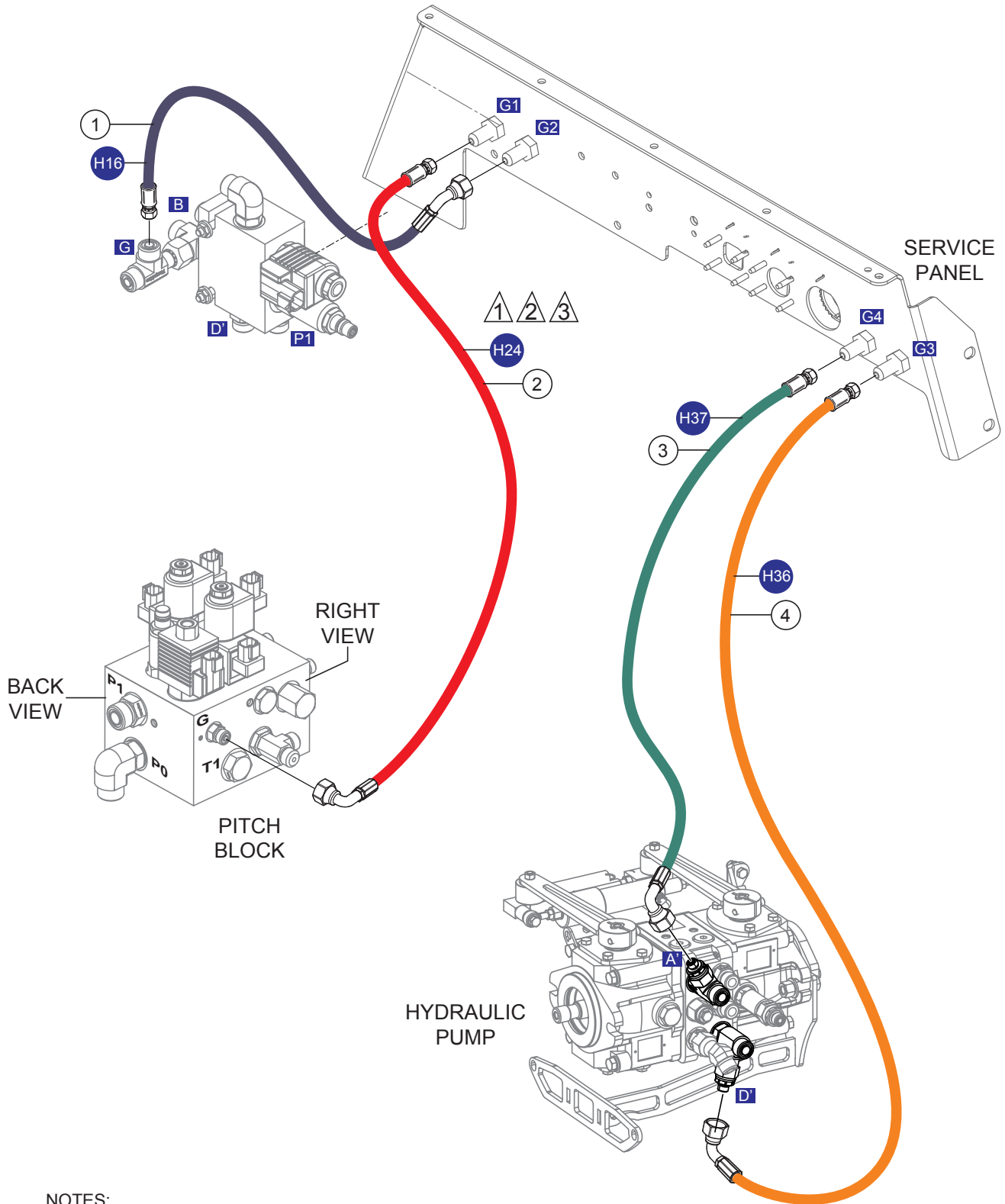
- ① SEE HOSE KIT ASSY APPLIES TO ALL HYDRAULIC HOSES.
- ② HOSE COLORS SHOWN FOR CLARITY ONLY.
- ③ REFERENCE DRAWING 42000L FOR HOSE REFERENCE DESIGNATOR.



HYD. HOSE ASSY. (P. BLOCK/FRAME/TANK/PUMP)

<u>NO.</u>	<u>PART NO.</u>	<u>PART NAME</u>	<u>QTY.</u>	<u>REMARKS</u>
1	32412	HOSE ASM, 3/8" ID x 21.5"6FORFS45x4FORFSSTR	1	
2	32411	HOSE ASM, 3/4" ID x 23.5"12FORFSx12FORFS45	1	
3	32693	HOSE ASM,3/4IDx22"10FORFSx12FORFS90	1	
4	32302	HOSE ASM, 1.0" ID x 26.00" 16FORFSx16FORFS90	1	
5	32465	HOSE ASM, 3/4" ID x 23.50" 10FORFS90x12FORFS	1	
6	32336	HOSE ASM, 5/8" ID x 48" 10FORFSx10FORFS90	1	

HYD. HOSE ASSY. (TEST PORTS)



NOTES:

- ① SEE HOSE KIT ASSY. APPLIES TO ALL HYDRAULIC HOSES.
- ② HOSE COLORS SHOWN FOR CLARITY ONLY.
- ③ REFERENCE DRAWING 42000L FOR HOSE REFERENCE DESIGNATOR.

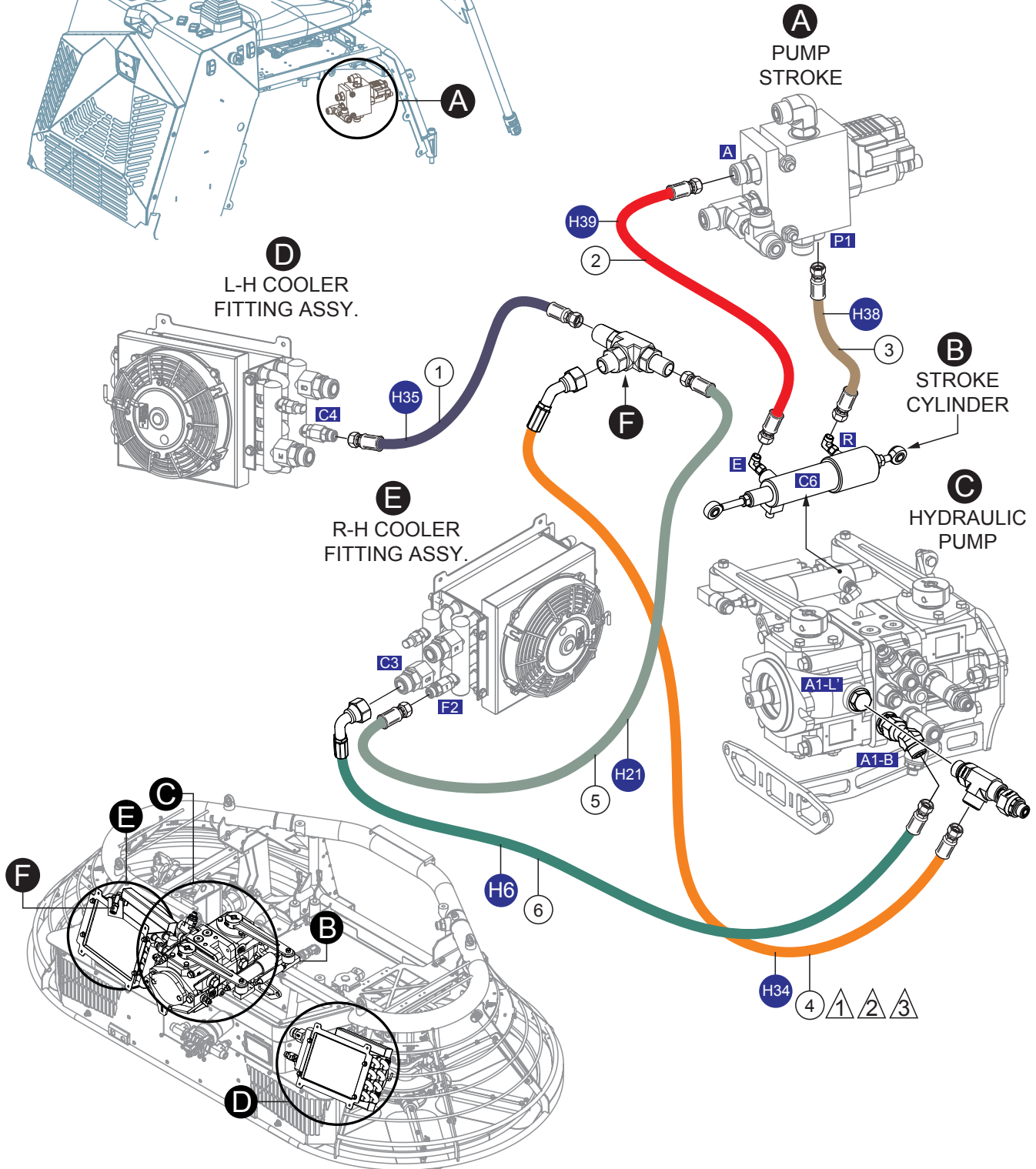
HYD. HOSE ASSY. (TEST PORTS)

<u>NO.</u>	<u>PART NO.</u>	<u>PART NAME</u>	<u>QTY.</u>	<u>REMARKS</u>
1	32318	HOSE ASM, 1/4" ID x 11" 4FORFSx6FORFS45	1	
2	32328	HOSE ASM, 1/4" ID x 19" 4FORFSx4FORFS90	1	
3	32416	HOSE ASM, 1/4" ID x 27" 4FORFSx4FORFS90 5K	1	
4	32415	HOSE ASM, 1/4" ID x 22" 4FORFSx4FORFS90 5K	1	

HYD. HOSE ASSY. (P. BLOCK/COOLER/PUMP)

NOTES:

- ⚠ SEE HOSE KIT ASSY. FIGURE. APPLIES TO ALL HYDRAULIC HOSES.
- ⚠ HOSE COLORS SHOWN FOR CLARITY ONLY.
- ⚠ REFERENCE DRAWING 42000L FOR HOSE REFERENCE DESIGNATOR.



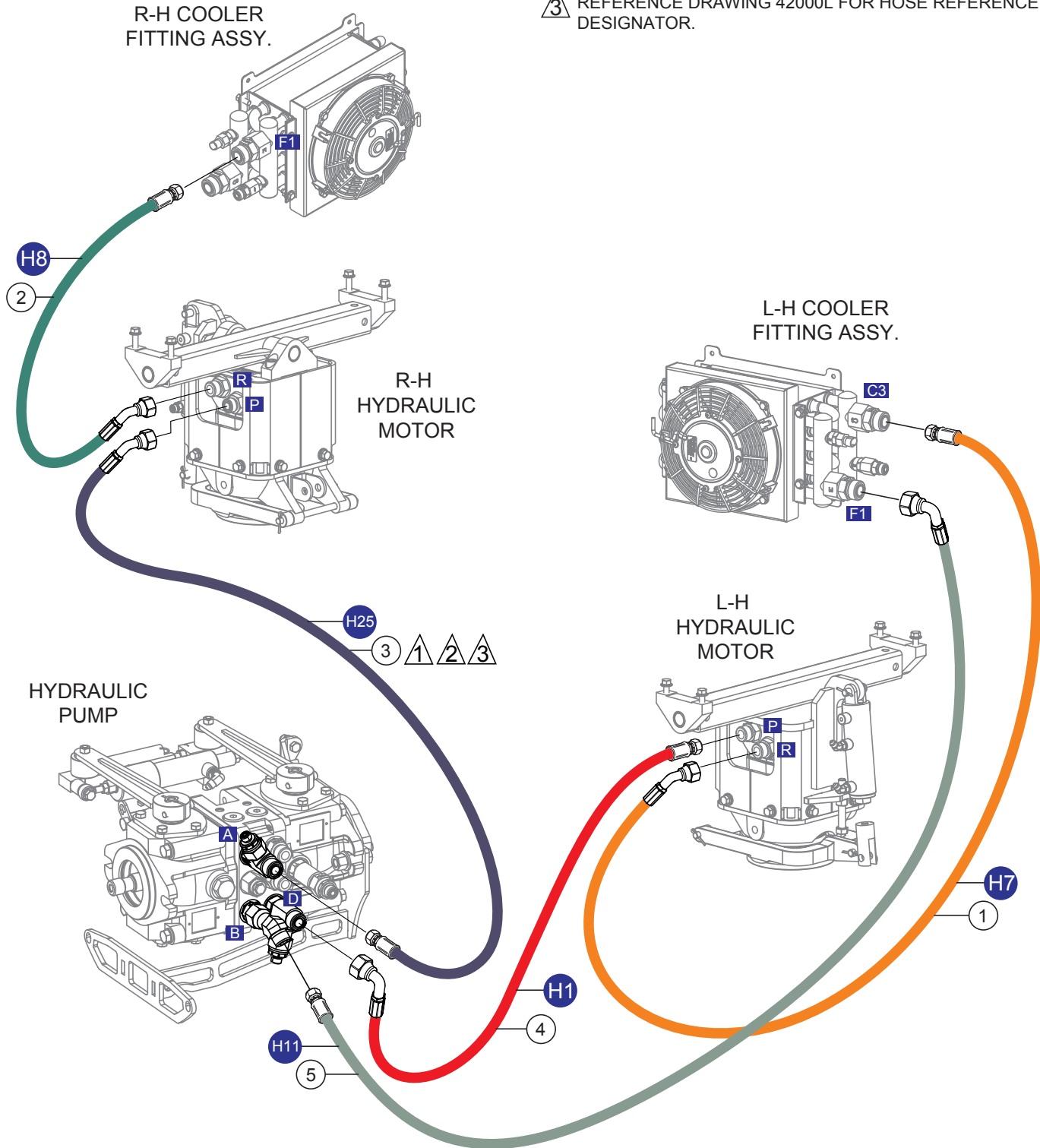
HYD. HOSE ASSY. (P. BLOCK/COOLER/PUMP)

<u>NO.</u>	<u>PART NO.</u>	<u>PART NAME</u>	<u>QTY.</u>	<u>REMARKS</u>
1	32414	HOSE ASM, 3/8" ID x 77" 6FORFSx6FORFS	1	
2	32418	HOSE ASM, 1/4" ID x 36" 4FORFSx6FORFS	1	
3	32417	HOSE ASM, 1/4" ID x 21" 4FORFSx6FORFS	1	
4	32413	HOSE ASM, 3/8" ID x 13" 6FORFSx6FORFS45	1	
5	32324	HOSE ASM, 3/8" ID x 33" 6FORFSx6FORFS	1	
6	32306	HOSE ASM, 3/4" ID x 35" 10FORFSx12FORFS90	1	

HYD. HOSE ASSY. (COOLER/MOTORS/PUMP)

NOTES:

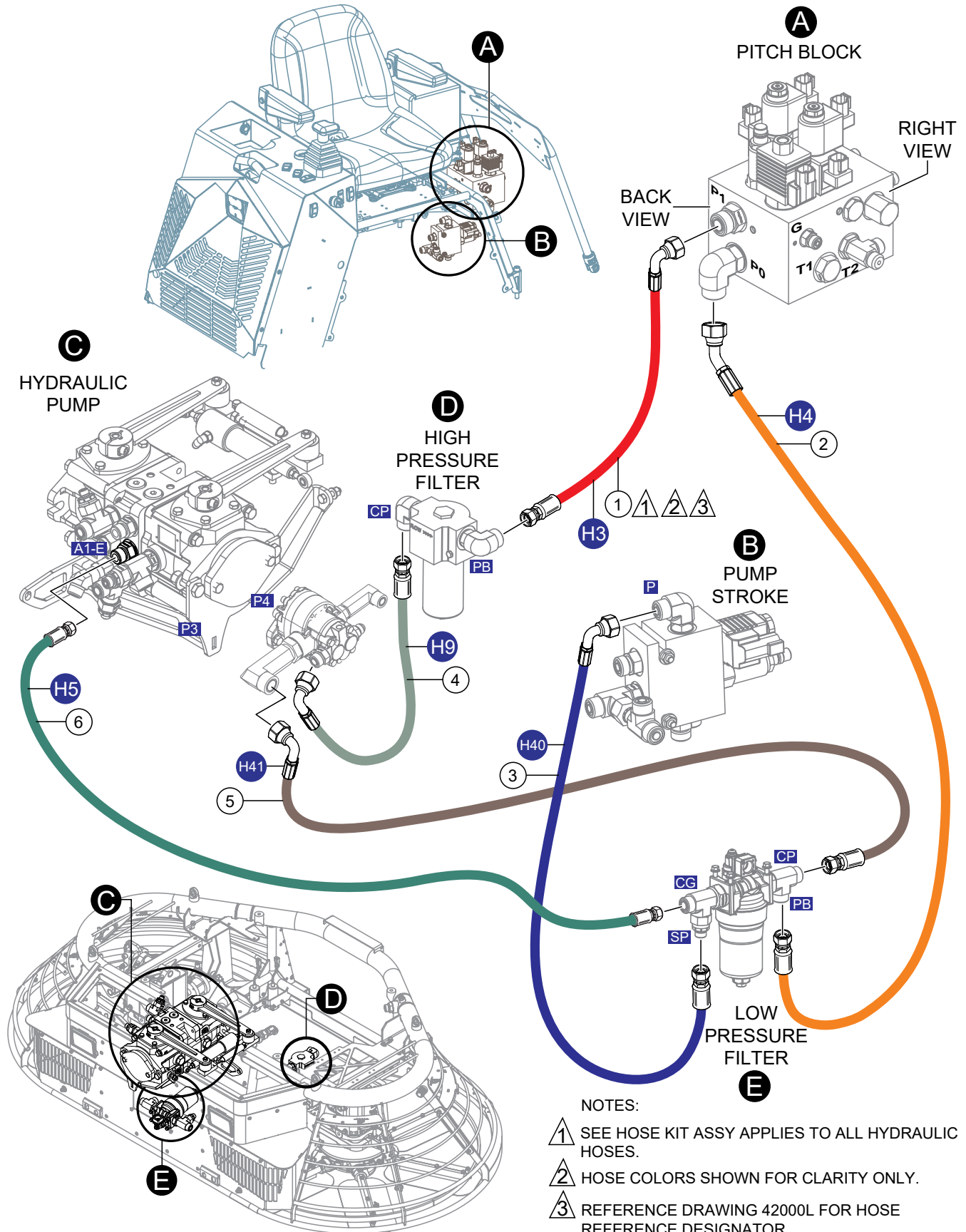
- ① SEE HOSE KIT ASSY APPLIES TO ALL HYDRAULIC HOSES.
- ② HOSE COLORS SHOWN FOR CLARITY ONLY
- ③ REFERENCE DRAWING 42000L FOR HOSE REFERENCE DESIGNATOR.



HYD. HOSE ASSY. (COOLER/MOTORS/PUMP)

<u>NO.</u>	<u>PART NO.</u>	<u>PART NAME</u>	<u>QTY.</u>	<u>REMARKS</u>
1	32307	HOSE ASM, 3/4" ID x 35.5" 12FORFSx12FORFS45	1	
2	32307	HOSE ASM, 3/4" ID x 35.5" 12FORFSx12FORFS45	1	
3	32334	HOSE ASM, 5/8" ID x 24.5" 10FORFSx10FORFS45	1	
4	32301	HOSE ASM, 5/8" ID x 47" 10FORFSx10FORFS90 5K	1	
5	32314	HOSE ASM, 3/4" ID x 64" 10FORFSx12FORFS90	1	

HYD. HOSE ASSY. (P. BLOCK/P. STROKER/PUMP/FILTER)



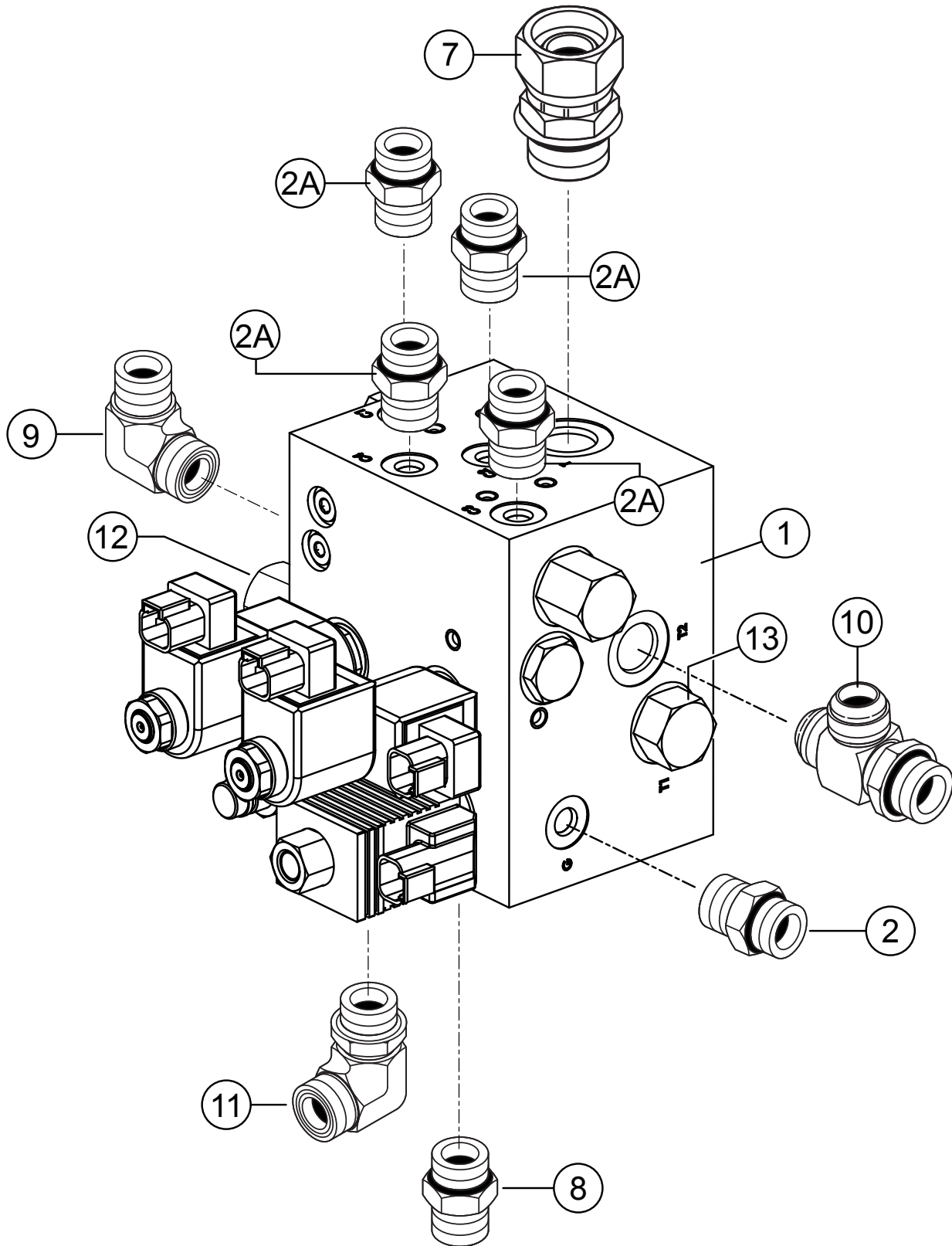
NOTES:

- ① SEE HOSE KIT ASSY APPLIES TO ALL HYDRAULIC HOSES.
- ② HOSE COLORS SHOWN FOR CLARITY ONLY.
- ③ REFERENCE DRAWING 42000L FOR HOSE REFERENCE DESIGNATOR.

HYD. HOSE ASSY. (P. BLOCK/P. STROKER/PUMP/FILTER)

<u>NO.</u>	<u>PART NO.</u>	<u>PART NAME</u>	<u>QTY.</u>	<u>REMARKS</u>
1	32303	HOSE ASM, 5/8" ID x 23" 10FORFS x10FORFS90	1	
2	32304	HOSE ASM, 5/8" ID x 36" 10FORFSx10FORFS45	1	
3	32419	HOSE ASM, 3/8" ID x 40.5" 6FORFSx6FORFS90	1	
4	32308	HOSE ASM, 1/2" ID x 26.62" 10FORFSx8FORFS90HS	1	
5	32420	HOSE ASM, 5/8" ID x 34" 10FORFSx10FORFS90	1	
6	32305	HOSE ASM, 5/8" ID x 22" 10FORFSx10FORFS	1	

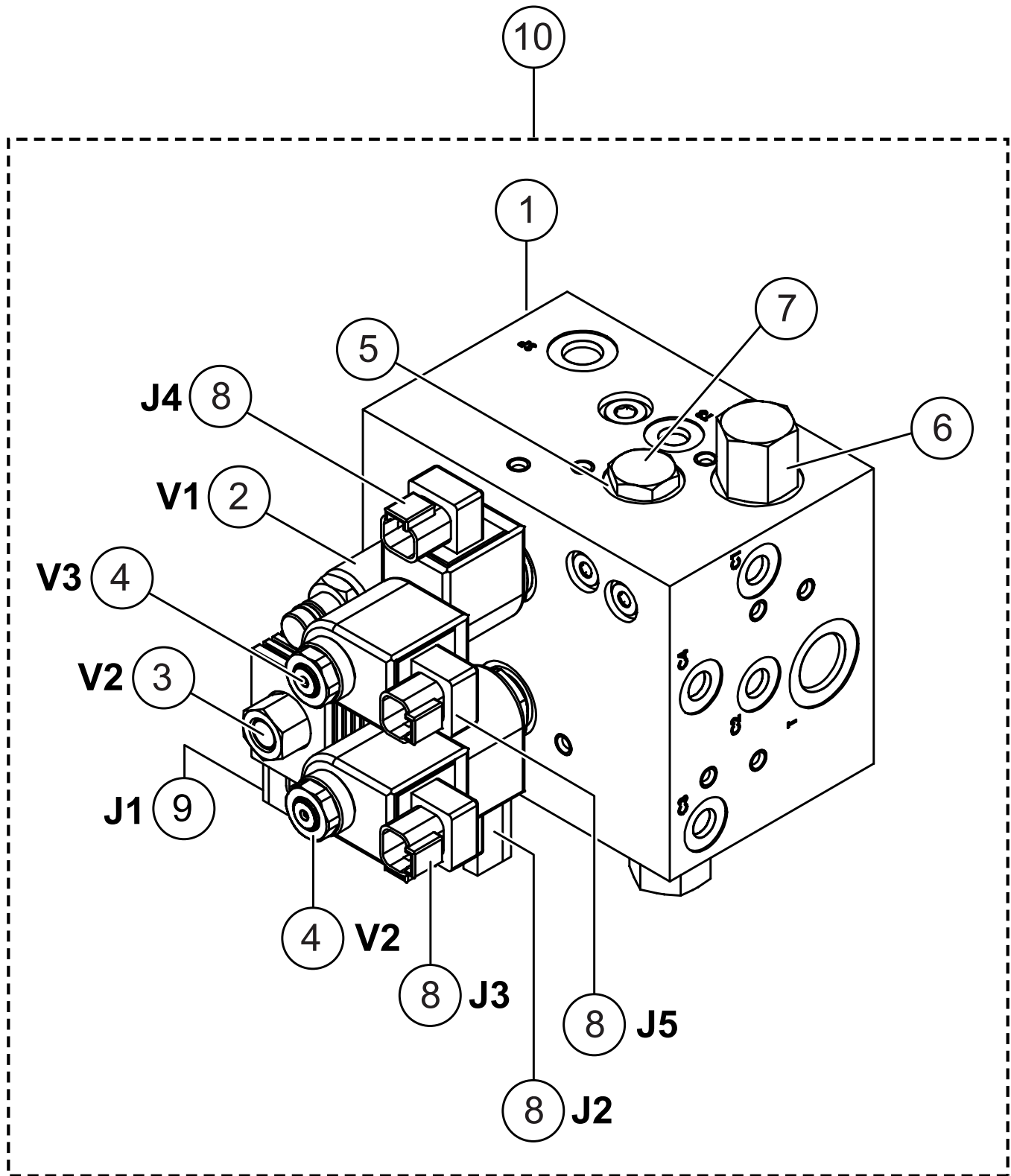
PITCH BLOCK ASSY. (FITTINGS)



PITCH BLOCK ASSY. (FITTINGS)

<u>NO.</u>	<u>PART NO.</u>	<u>PART NAME</u>	<u>QTY.</u>	<u>REMARKS</u>
1	22233	PITCH BLOCK-HIC	1	
2	32340	FITTING, STR -4MORFS x -4MOR	1	
2A	32345	FITTING, 45-4MORFS X -4MOR	4	
7	32357	FITTING, STR -10MORFS x -12MOR	1	
8	32342	FITTING, STR -10MORFS x -10MOR	1	
9	32354	FITTING, 90 -6MORFS x -6MOR	1	
10	32351	FITTING, TEE 6MORFSx8MOR	1	
11	32358	FITTING, 90 -10MORFS x -10MOR	1	
12	32467	FITTING, PLUG - ORING - 6	1	
13	32468	FITTING, PLUG - ORING - 10	1	

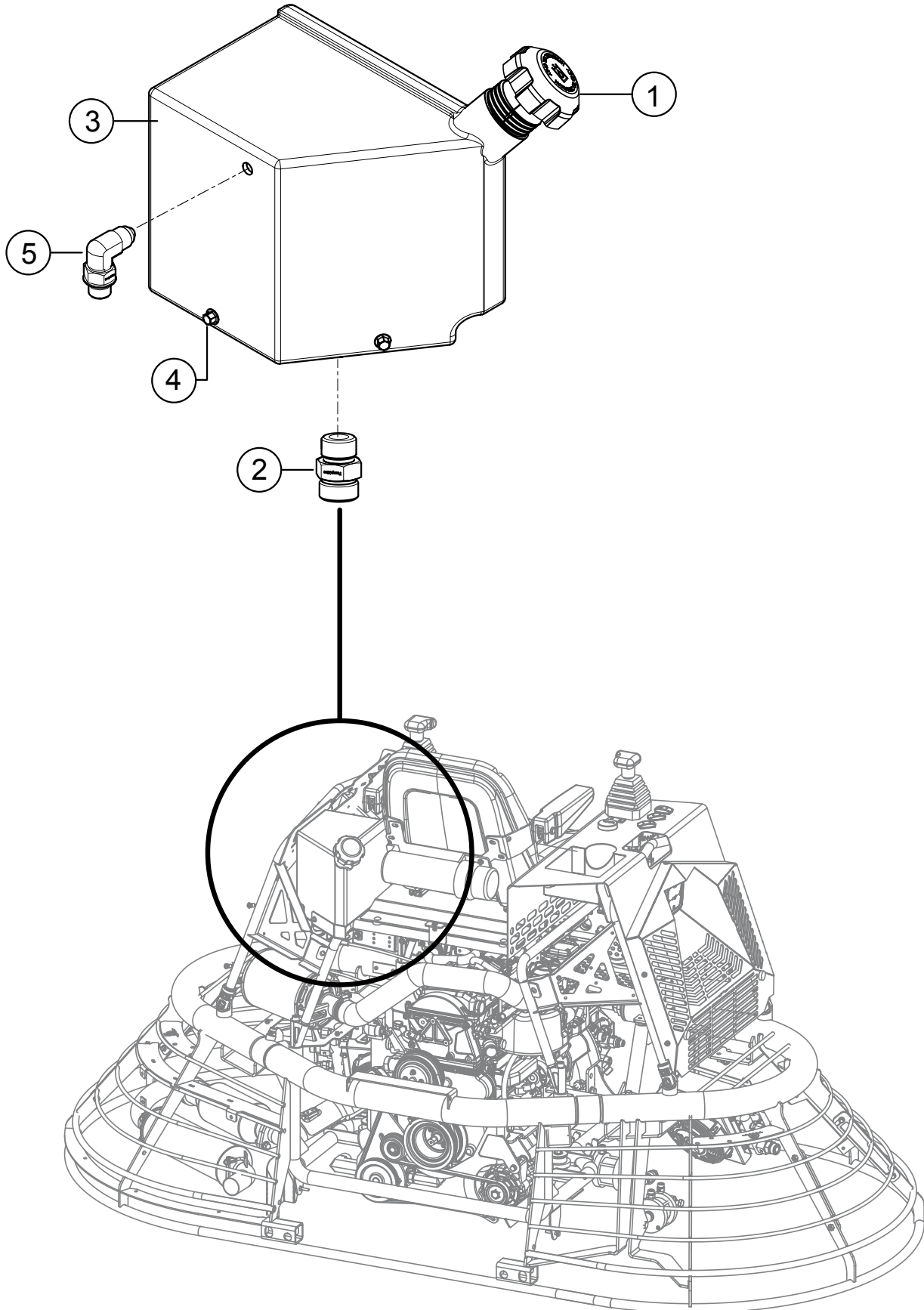
PITCH BLOCK ASSY. (VALVES)



PITCH BLOCK ASSY. (VALVES)

<u>NO.</u>	<u>PART NO.</u>	<u>PART NAME</u>	<u>QTY.</u>	<u>REMARKS</u>
1\$		BODY	1.....	NOT SERVICED SEPARATELY
2\$	22233-7	RELIEF VALVE	1	
3\$	22233-1	BYPASS VALVE CARTRIDGE	1	
4\$	22233-3	PITCH VALVE CARTRIDGE	2	
5\$	22233-5	CHECK VALVE	2	
6\$	22233-6	FLOW CONTROL VALVE	2	
7\$		PISTON.....	2.....	NOT SERVICED SEPARATELY
8\$	22233-4	PITCH VALVE COIL	4	
9\$	22233-2	BYPASS VALVE COIL	1	
10	22233	PITCH BLOCK ASSEMBLY	1.....	INCLUDES ITEMS W/\$

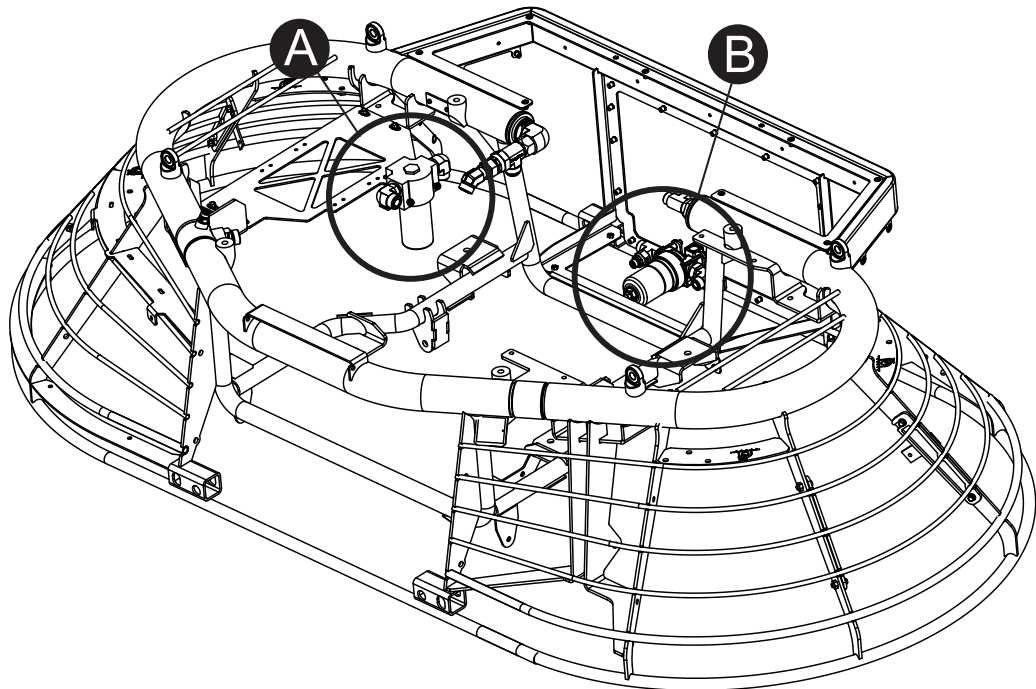
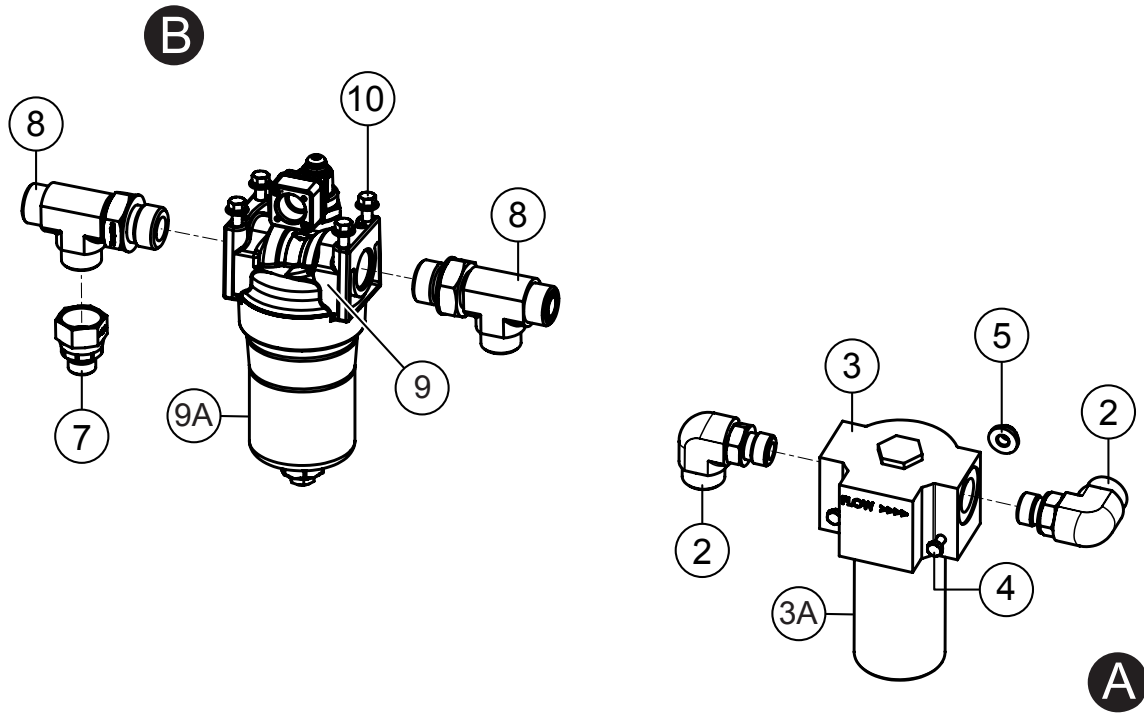
HYDRAULIC OIL EXPANSION TANK ASSY.



HYDRAULIC OIL EXPANSION TANK ASSY.

<u>NO.</u>	<u>PART NO.</u>	<u>PART NAME</u>	<u>QTY.</u>	<u>REMARKS</u>
1	42551	RACHET CAP, TOP VENT	1	
2	32343	FITTING, STR -12MORFS x -12MOR	1	
3	42090	TANK, GEN 3 HYDRAULIC EXPANSION	1	
4	42342	SCREW, HFS, ZP, M8-1.25 x 16, CLASS 8.8	3	
5	32347	FITTING, 90 -4MORFS x -4MOR	1	

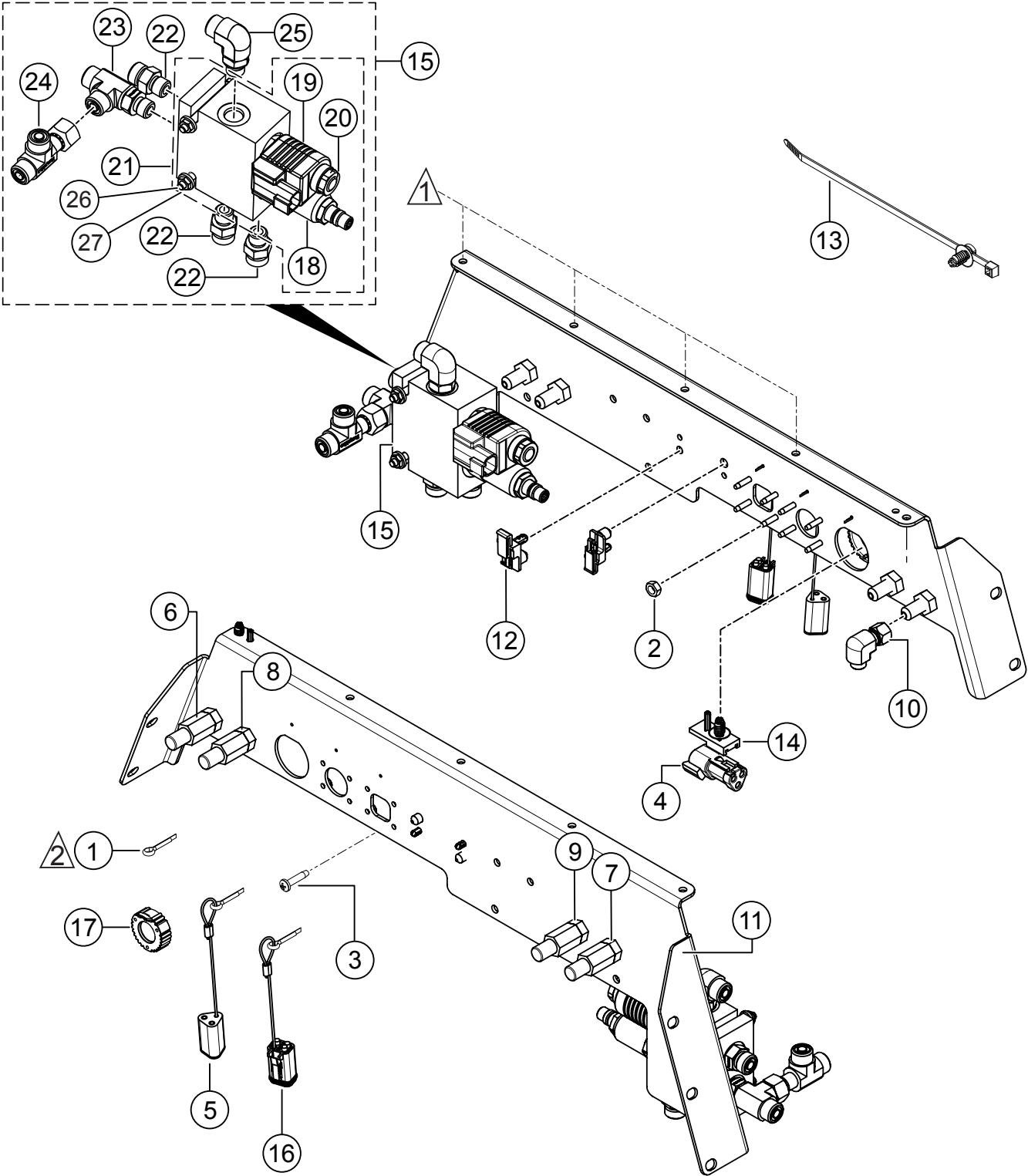
FILTER ASSY.



FILTER ASSY.

<u>NO.</u>	<u>PART NO.</u>	<u>PART NAME</u>	<u>QTY.</u>	<u>REMARKS</u>
2@	32363	FITTING, 90° 12MOR x 10MORFS	1	
3@	42127	FILTER, HYD.-PRES. W/ INDICATOR	1	
3A@	42127-1	ELEMENT, HIGH PRESSURE FILTER	1	
4@	42339	SCREW, HHC, ZP, M6-1.0 x 60, CLASS 8.8	2	
5@	42352	NUT, HEX, SERRATED-FLANGE, M6 -1 .0	2	
7\$	32355	FITTING, STR -6MORFS x -10FORS	1	
8\$	32365	FITTING, TEE 10MORFSx12MOR	2	
9\$	32433	FILTER, HYD. MED PRES W/INDICATOR	1	
9A\$	32433-1	ELEMENT, MEDIUM PRESSURE FILTER	1	
10\$	34364	SCREW, HHFS, 1/4-20 X 1/2", GR5	4	

TEST PORT ASSY.



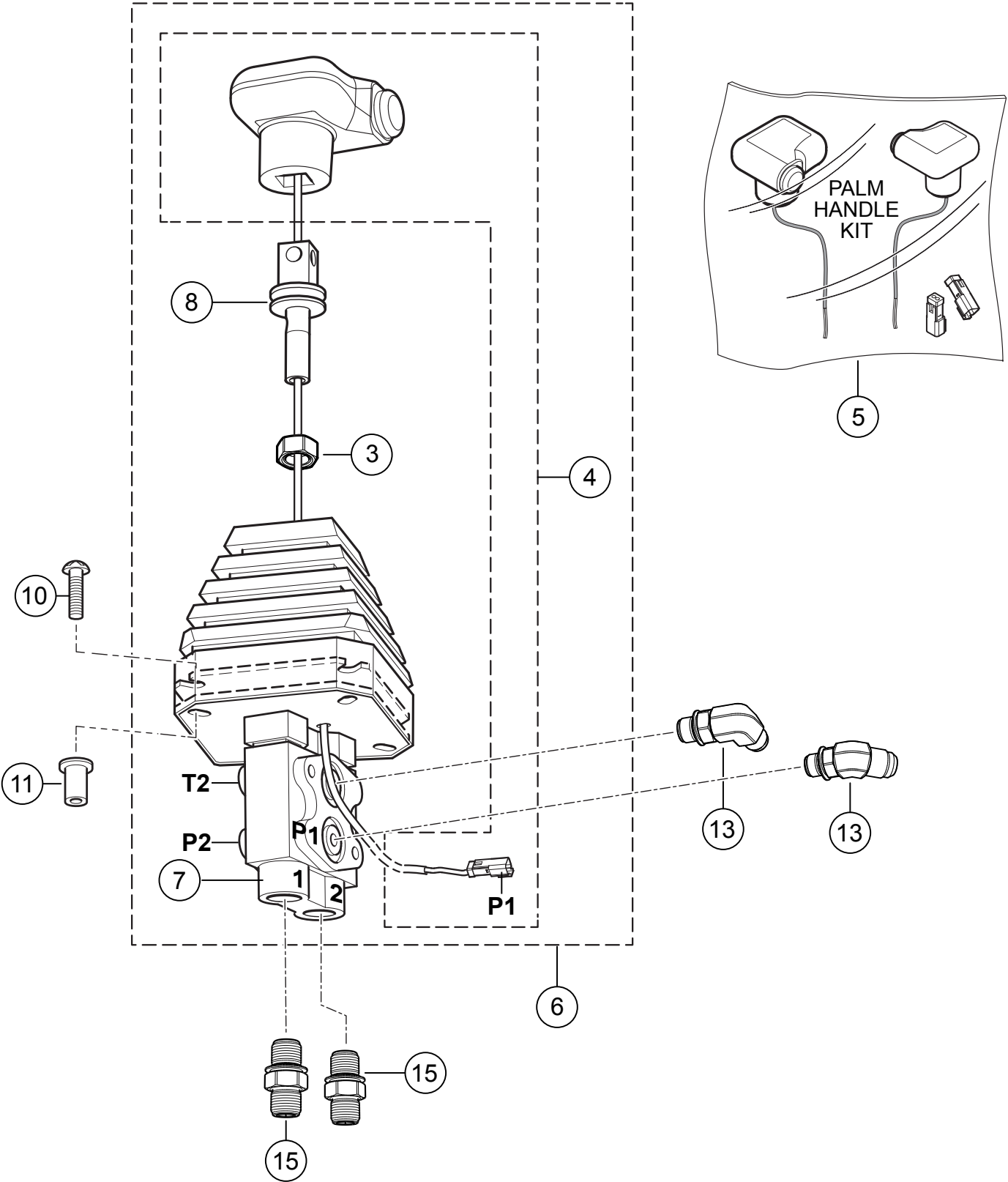
NOTES:

- 1 INSERT INTO HOLES INDICATED FROM BOTTOM SIDE OF FLANGE.
- 2 ATTACH LANYARD FROM ITEM# 17 THRU PRIOR TO INSTALLING.

TEST PORT ASSY.

<u>NO.</u>	<u>PART NO.</u>	<u>PART NAME</u>	<u>QTY.</u>	<u>REMARKS</u>
1	5117	PIN, COTTER 1/16D x 1/2"	1	
2	13287	NUT, NYLOC 8-32	8	
3	15175	SCREW, PAN HEAD 8-32 X 3/4"	8	
4	22815	RECEPTACLE, RES. 120 OHM, DEUTSCH DT 3 POS	1	
5#	23913	LANYARD, 3-WAY PLUG, DT SERIES	1	
6	32446	FITTING,SERVICE PORT -4MJ BLKHEAD	1	
7	32446	FITTING,SERVICE PORT -4MJ BLKHEAD	1	
8	32446	FITTING,SERVICE PORT -4MJ BLKHEAD	1	
9	32446	FITTING,SERVICE PORT -4MJ BLKHEAD	1	
10	32519	FITTING, 90 4FORFS x 4MORFS	1	
11	42125	PANEL, GEN 3 RIDER SERVICE	1	
12	42314	CLIP, MOUNTING DELPHI 2 PIN	2	
13	42315	TIE, CABLE ASSEMBLY, FIR TREE MOUNT AND CABLE	4	
14	42328	CLIP, MOUNTING DEUTCH 2 PIN	1	
15	42377	BLOCK FITTING ASSEMBLY, ST&PUMP STROKER	1	
16	42440	LANYARD, 4-WAY PLUG, DT SERIES	1	
17	42442	CON. CAP, DEUTSCH, HD10, 9 PIN WLANYARD	1	
18#\$	22831	VALVE, PRESSURE, REDUCING	1	
19#\$	22283	COIL, STROKER VALVE	1	
20#\$	22835	VALVE, PROPORTIONAL	1	
21#\$	32282	VALVE ASSEMBLY, STEERING/PUMP STROKER	1.....	INCLUDESITEMSW\$
22#	32341	FITTING, STR -6MORFS X -6MOR	3	
23#	32353	FITTING, TEE 6MORFS X -6MOR	1	
24#	32426	FITTING, TEE 6MORFS X 6GORFS	1	
25#	32354	FITTING, 90°, -6MORFS X -6MOR	1	
26#	42339	SCREW, HHC, ZP, M6-1.0 X 60, CLASS 8.8	2	
27#	42352	NUT, HEX, SERRATED-FLANGE, M6-1.0	2	

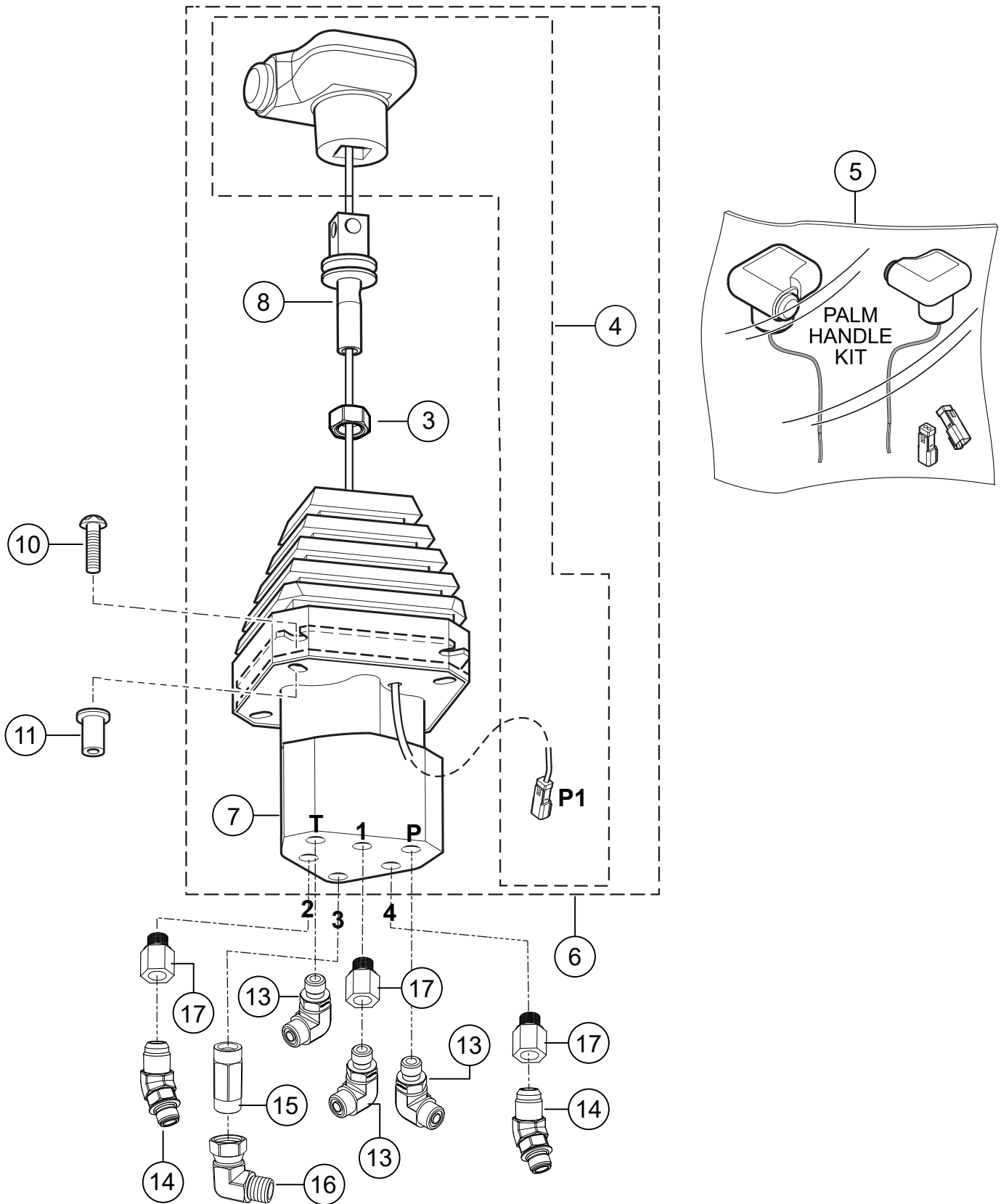
LEFT-HAND VALVE ASSY.



LEFT-HAND VALVE ASSY.

<u>NO.</u>	<u>PART NO.</u>	<u>PART NAME</u>	<u>QTY.</u>	<u>REMARKS</u>
3#%	16083	NUT, HEX M12-1.75 NO PLATE	1	
4#%	20150	KIT, PALM HANDLE LEFT, W/SWITCH	1	
5	20165	KIT, PALM HNDL W/TOGGLE SWITCH	1	
6%	20831	VALVE, LH STRG W/SWITCH ASSEMBLY	1.....	INCLUDES ITEMS W/#
7#%	20833	VALVE, LH STEERING	1	
8#%	21053	ADAPTOR, LH PALM HANDLE	1	
10	42325	SCREW, BHSC, M6-1.0 X 20, FLANGED	4	
11	42496	RIVNUT FAST., HALF HEX LNG FLNG, M6X1	4	
13%	32354	FITTING, 90 -MORFS X -6MOR	2	
15%	32341	FITTING, STR -6MORFS X -6MOR	2	

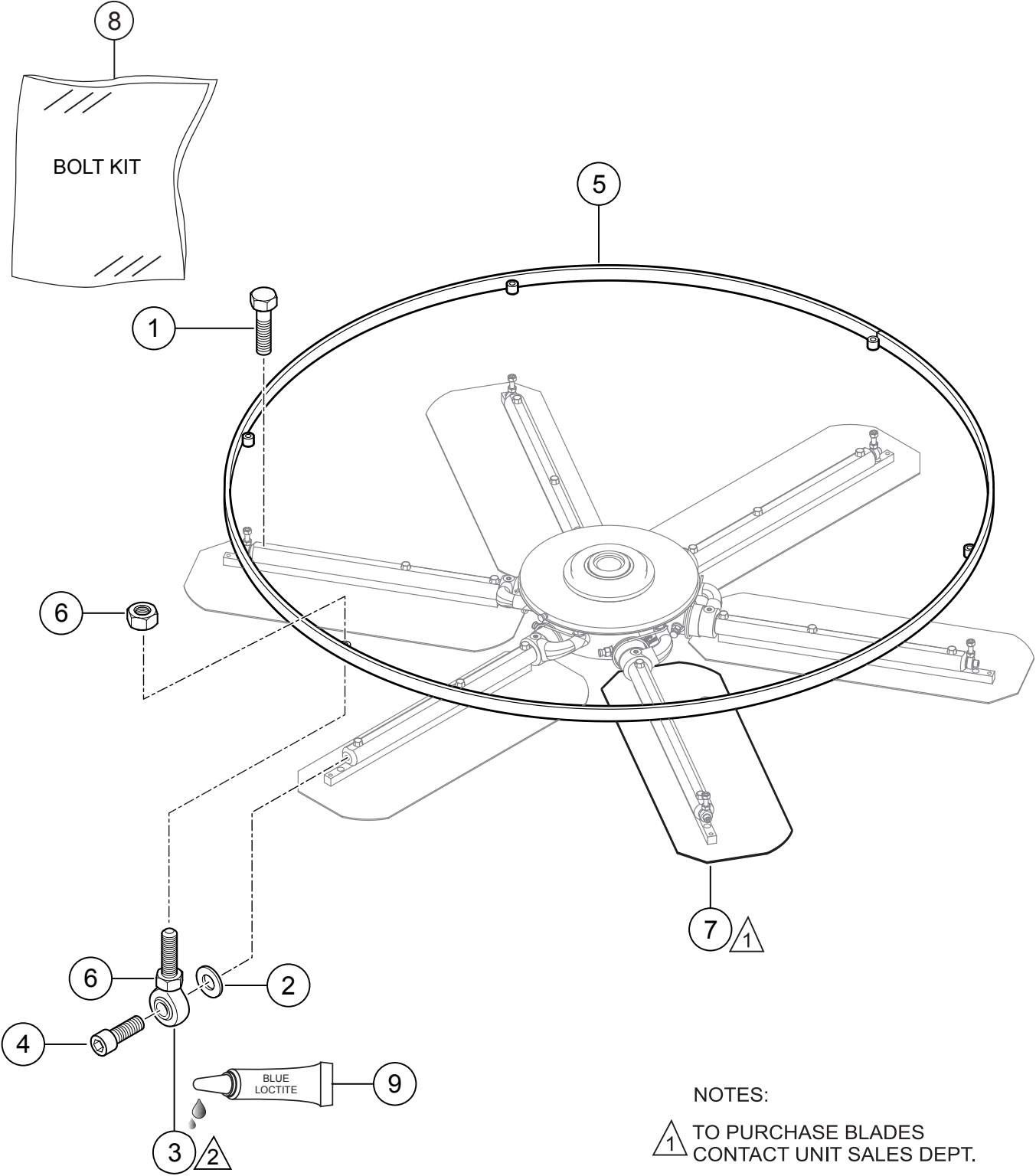
RIGHT-HAND VALVE ASSY.



RIGHT-HAND VALVE ASSY.

<u>NO.</u>	<u>PART NO.</u>	<u>PART NAME</u>	<u>QTY.</u>	<u>REMARKS</u>
3#%	16083	NUT, HEX M12-1.75 NO PLATE	1	
4#%	20155	KIT, PALM HANDLE RIGHT, W/SWITCH	1	
5	20165	KIT, PALM HANDLE W/TOGGLE SWITCH	1	
6%	20829	VALVE, RH STEERING W/SWITCH ASSY.....	1	INCLUDES ITEMS W/#
7#%	20832	VALVE, RH STEERING	1	
8#%	20834	ADAPTER, PALM HANDLE	1	
10	42325	SCREW, BHSC, M6-1.0 X 20, FLANGED	4	
11	42496	RIVNUT, M6 X 1	4	
13%	32354	FITTING, 90 -6MORFS X 6 MOR	3	
14%	32431	FITTING, 45 6MORFS X 6 MOR	2	
15%	32454	FITTING, STR 6MORFS X 6MORFS LONG	1	
16%	32256	FITTING, 90 6FORFS X 6MORFS	1	
17%	21114	FITTING, STR 6FO-6MO STX-55J6	3	

STABILIZER ASSY.



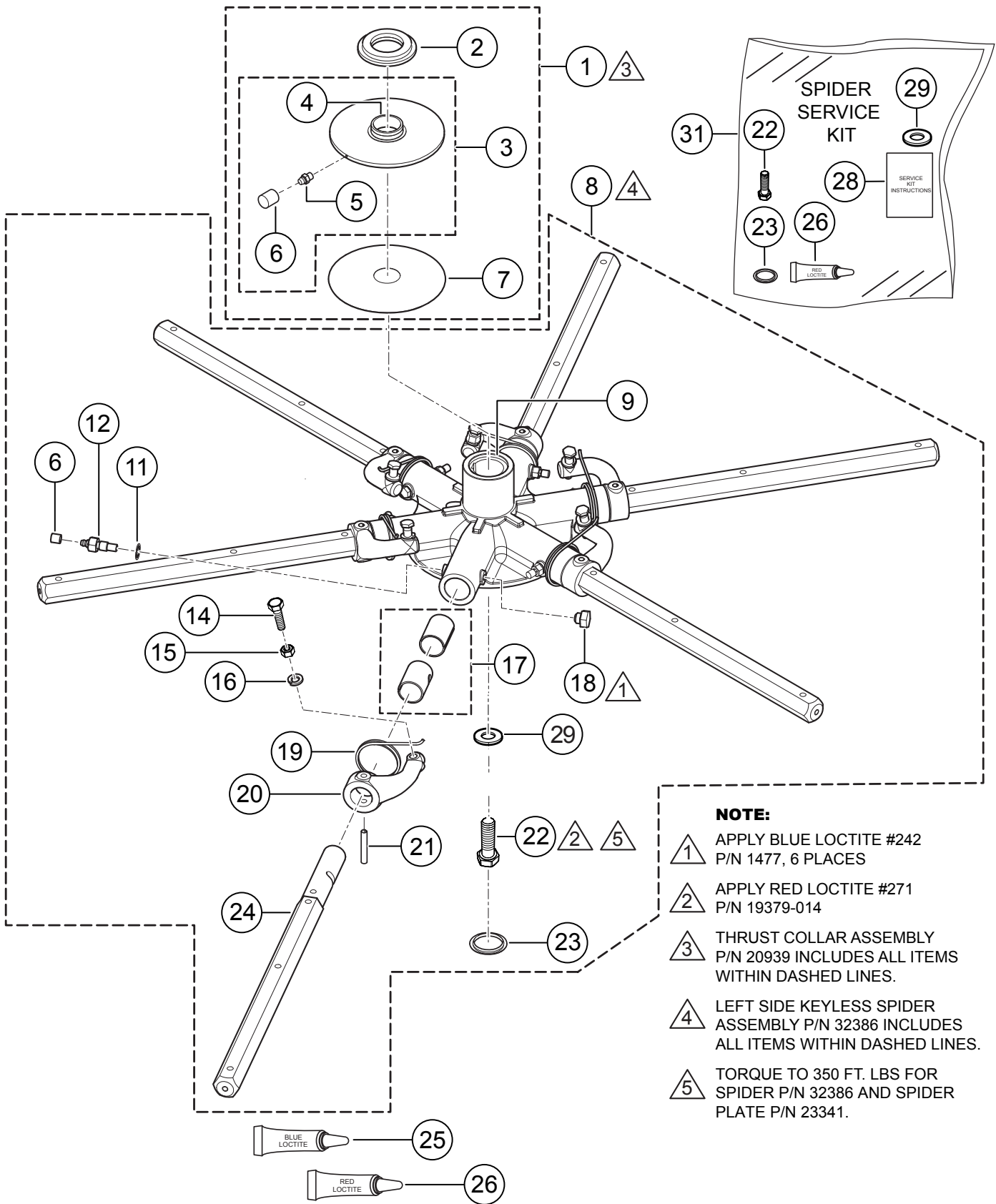
NOTES:

- $\triangle 1$ TO PURCHASE BLADES
CONTACT UNIT SALES DEPT.
- $\triangle 2$ APPLY BLUE LOCTITE #242.

STABILIZER ASSY.

<u>NO.</u>	<u>PART NO.</u>	<u>PART NAME</u>	<u>QTY.</u>	<u>REMARKS</u>
1\$	22174	SCREW, HHFS 5/16-18 X 1-3/4" GR5	38	
2	0300 B	WASHER, FLAT SAE 5/16"	12	
3	1723	ROD END 5/16-24 MALE RH	12	
4	1237	SCREW, SHC 5/16-18 X 7/8" NYLOC	12	
5	32391	RING W/A, BLADE STABILIZER	2	
6	6014 C	NUT, HEX FINISH 5/16-24	24	
7		BLADE ASSEMBLY	12.....	CONTACT UNIT SALES
8	23643	KIT, BOLT SAE BLADE.....	1.....	INCLUDES ITEMS W/\$
9	1477	LOCTITE #242 BLUE .5CC BOTTLE	AR	

6-BLADE SPIDER ASSY. (LEFT-SIDE)



NOTE:

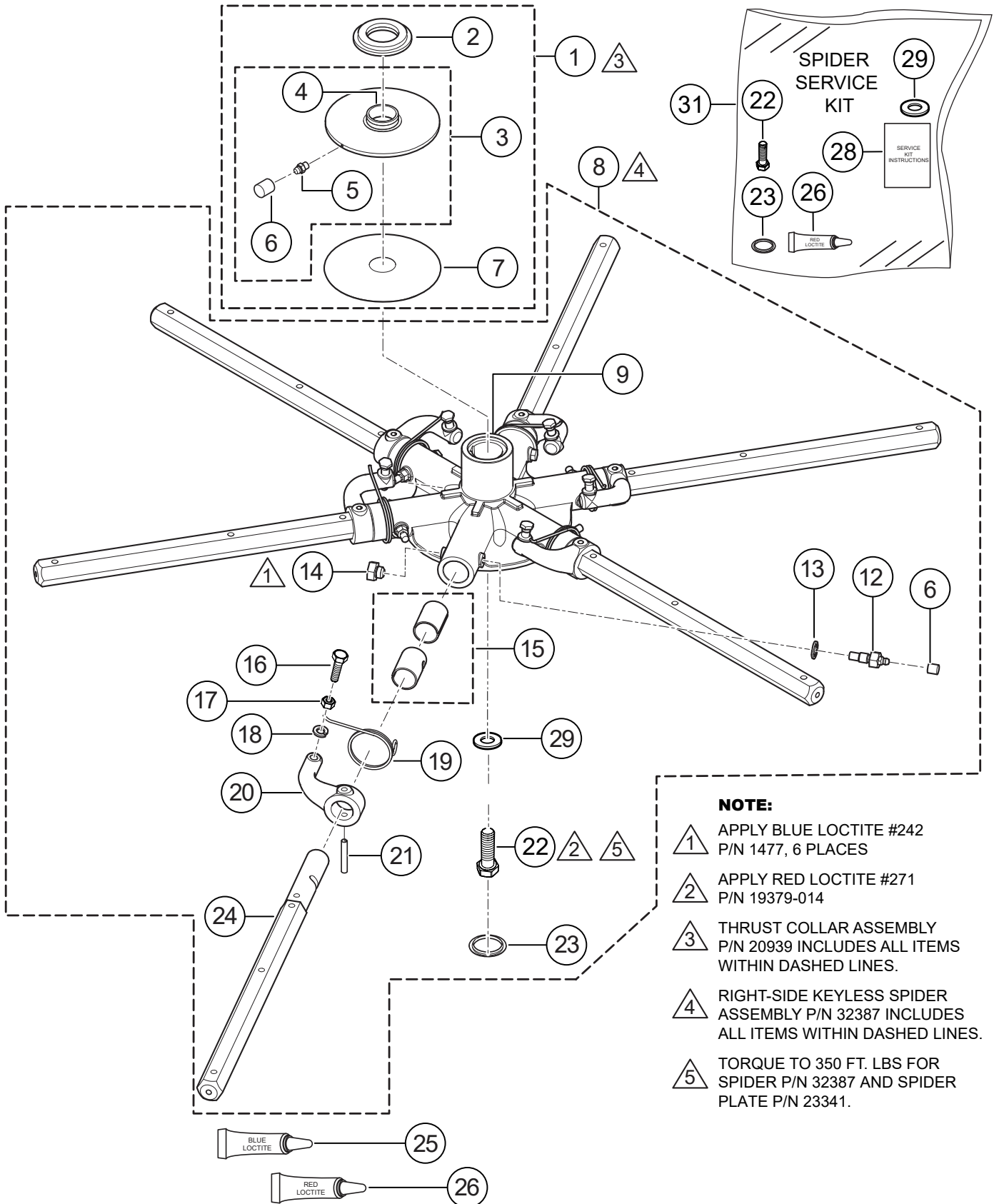
- ▲1 APPLY BLUE LOCTITE #242
P/N 1477, 6 PLACES
- ▲2 APPLY RED LOCTITE #271
P/N 19379-014
- ▲3 THRUST COLLAR ASSEMBLY
P/N 20939 INCLUDES ALL ITEMS
WITHIN DASHED LINES.
- ▲4 LEFT SIDE KEYLESS SPIDER
ASSEMBLY P/N 32386 INCLUDES
ALL ITEMS WITHIN DASHED LINES.
- ▲5 TORQUE TO 350 FT. LBS FOR
SPIDER P/N 32386 AND SPIDER
PLATE P/N 23341.

6-BLADE SPIDER ASSY. (LEFT-SIDE)

<u>NO.</u>	<u>PART NO.</u>	<u>PART NAME</u>	<u>QTY.</u>	<u>REMARKS</u>
1	20939	THRUST COLLAR ASSEMBLY	1.....	INCLUDES ITEMS W/@
2@	12779	BEARING, 85MM X 130MM, FLANGED	1	
3@	12315	THRUST COLLAR W/BUSHING	1.....	INCLUDES ITEMS W/\$
4@\$	12316	BUSHING, THRUST COLLAR	1	
5@\$	2621	ZERK, GREASE STR 1/4-28	1	
6@\$	1162 A	CAP, GREASE ZERK #2	7	
7@	12250	PLATE, WEAR	1	
8	32386	SPIDER ASSY., KIT, 6 BLD TAPERED, LS.....	1.....	INCLUDES ITEMS W/#
9#%	23341	SPIDER 6 BLD SERVICE KIT	1.....	INCLUDES ITEMS W/%
11#	1875	WASHER, INT. SHKP. 3/8"	6	
12#	1322	SCREW, RETAINING	6	
14#	21031	SCREW, HHC RND 7/16-14 UNC SPCL GR8	6	
15#	07034-007	NUT, HEX JAM 7/16-14	6	
16#	2955	WASHER, LOCK 7/16 MED	6	
17#	11039	BUSHING, ARM 2 PIECE	12	
18#%	11602	SCREW, HHC 3/8-16 X 1/4"	6	
19#	9111	SPRING, LS ARM RETURN, SMALL BOSS	6	
20#	21049-1	LEVER, TROWEL ARM, LS SILVER	6	
21#	32045	PIN, COILED SPRING 5/16-2.00"	6	
22#%&	32778	SCREW, HHC 3/4-16 X 2-1/4", GRD8	2	
23#%&	20121	PLUG, SPIDER SNAP IN	2	
24#	32383-1	ARM, TROWEL, HD EXTENDED SILVER	6	
25#%	1477	LOCTITE #242 BLUE .5CC BOTTLE	1	
26#%&	19379-014	LOCTITE #271 RED, ANAEROBIC	2	
28%&	32771	INSTRUCTIONS, TAPERED SPIDER KIT	1.....	TO OBTAIN COPY SEE BELOW
29#%&	933247	WASHER, FLAT SAE 3/4 GRD9	2	
31	32386-SK	KIT, SERVICE, LEFT-HAND SPIDER	1.....	INCLUDES ITEMS W/&

TO OBTAIN A COPY OF INSTRUCTIONS P/N 32771 GO TO — SERVICE.MULTIQUIP.COM/PDFS/HTX-STX_UNIVERSAL_TAPERED_KEYLESS_SPIDER_INSTALLATION_INSTRUCTIONS_REV_0.PDF

6-BLADE SPIDER ASSY. (RIGHT-SIDE)



NOTE:

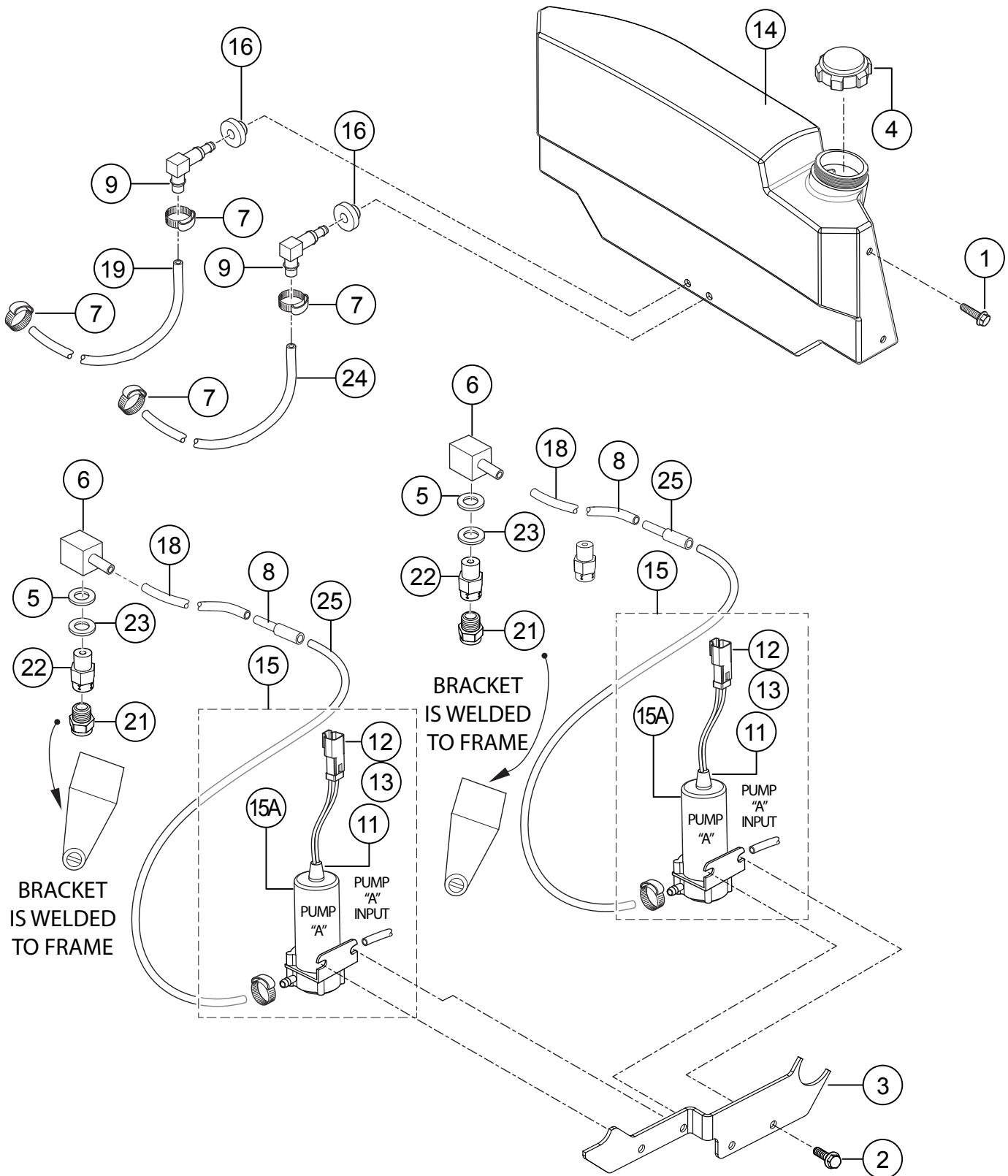
- ▲ 1 APPLY BLUE LOCTITE #242
P/N 1477, 6 PLACES
- ▲ 2 APPLY RED LOCTITE #271
P/N 19379-014
- ▲ 3 THRUST COLLAR ASSEMBLY
P/N 20939 INCLUDES ALL ITEMS
WITHIN DASHED LINES.
- ▲ 4 RIGHT-SIDE KEYLESS SPIDER
ASSEMBLY P/N 32387 INCLUDES
ALL ITEMS WITHIN DASHED LINES.
- ▲ 5 TORQUE TO 350 FT. LBS FOR
SPIDER P/N 32387 AND SPIDER
PLATE P/N 23341.

6-BLADE SPIDER ASSY. (RIGHT-SIDE)

<u>NO.</u>	<u>PART NO.</u>	<u>PART NAME</u>	<u>QTY.</u>	<u>REMARKS</u>
1	20939	THRUST COLLAR ASSEMBLY	1.....	INCLUDES ITEMS W/@
2@	12779	BEARING, 85MM X 130MM, FLANGED	1	
3@	12315	THRUST COLLAR W/BUSHING	1.....	INCLUDES ITEM W/\$
4@\$	12316	BUSHING, THRUST COLLAR	1	
5@	2621	ZERK, GREASE ZERK #2	6	
6#@	1162 A	CAP, GREASE ZERK #2	7	
7@	12250	PLATE, WEAR	1	
8	32387	SPIDER ASSY., KIT, 6BLD TAPERED, RS	1.....	INCLUDES ITEMS W/#
9#%	23341	SPIDER STX/HTX 6BLD. SERVICE KIT.....	1.....	INCLUDES ITEMS W/%
12#	1322	SCREW, RETAINING	6	
13#	1875	WASHER, INT. SHKP. 3/8"	6	
14#%	11602	SCREW, HHC 3/8-16 X 1/4"	6	
15#	11039	BUSHING ARM 2 PIECE	12	
16#	21031	SCREW, HHC RND' 7/16-14 UNC SPCL GR8	6	
17#	07034-007	NUT, HEX JAM 7/16-14	6	
18#	2955	WASHER, LOCK, 7/16" MED.	6	
19#	2143	SPRING, RS ARM RETURN, SMALL BOSS	6	
20#	21050-1	LEVER, TROWEL ARM HYD. RS. SILVER	6	
21#	32045	PIN, COILED SPRING 5/16 X 2"	6	
22#%!	32778	SCREW, HHC 3/4-16 X 2-1/2" GRD8	2	
23#!	20121	PLUG, SPIDER SNAP IN	2	
24#	32383-1	ARM, TROWEL, 6 BLADE SILVER	6	
25#%	1477	LOCTITE #242 BLUE .5CC BOTTLE	1	
26#%!	19379-014	LOCTITE #271 RED, ANAEROBIC	2	
28#%!	32771	INSTRUCTIONS, TAPERED SPIDER KIT	1.....	TO OBTAIN COPY SEE BELOW
29#%!	933247	WASHER, FLAT SAE 3/4 GRD 9YZ	2	
31	32387-SK	KIT, SERVICE, RIGHT-HAND SPIDER.....	1.....	INCLUDES ITEMS W/!

TO OBTAIN A COPY OF INSTRUCTIONS P/N 32771 GO TO — SERVICE.MULTIQUIP.COM/PDFS/HTX-STX_UNIVERSAL_TAPERED_KEYLESS_SPIDER_INSTALLATION_INSTRUCTIONS_REV_0.PDF

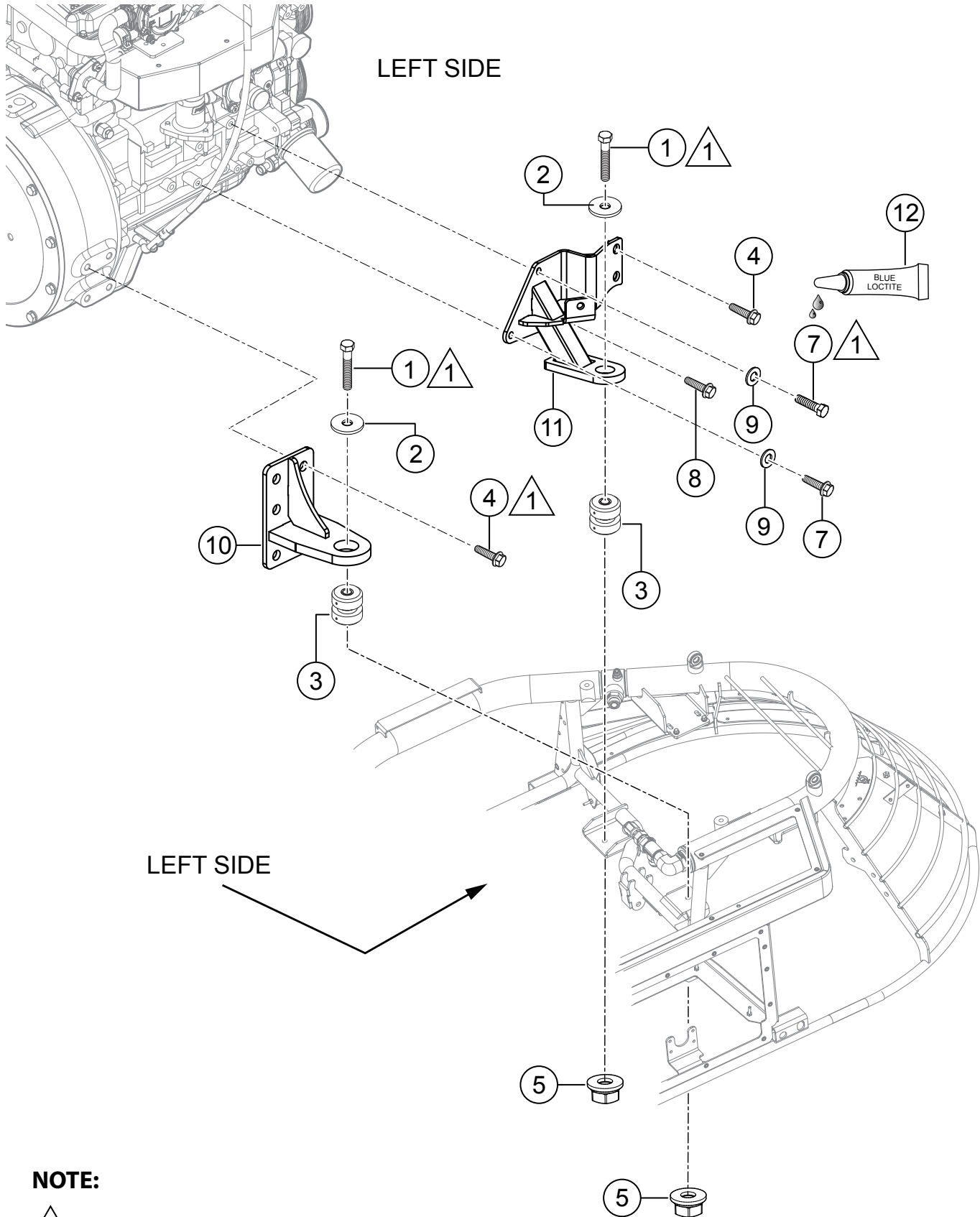
SPRAY ASSY.



SPRAY ASSY.

<u>NO.</u>	<u>PART NO.</u>	<u>PART NAME</u>	<u>QTY.</u>	<u>REMARKS</u>
1	42343	SCREW, HFS, ZP, M8-1.25 x 20", CLASS 8.8	4	
2	17108	SCREW, SHC M6-1.00 X 20	4	
3	42330	BRACKET, SPRAY PUMP MOUNT	1	
4	42435	CAP, RETARDANT TANK LANYARD, 3.5"	1	
5	2898	WASHER, ROUNDED NEOPRENE 1 X 1/2"	2	
6	2912	FITTING, 90°	2	
7	2918	CLAMP HOSE .475-.536 ID	4	
8	10022	FITTING, PLASTIC-TEE 1/4 BARB	2	
9	29677	FITTING, 90° FUEL	2	
11#	12171	SEAL, WPACK 16-18 (GRN)	4	
12#	12176	CONNECTOR, WPACK 2 PIN SHROUD	2	
13#	12179	TERMINAL, WPACK MALE 14-16 GA	4	
14	42293	TANK, GEN 3 RIDER RETARDANT	1	
15	23434	PUMP, SPRAY W/CONNECTORS.....	2.....	INCLUDES ITEMS W/#
15A#	12548	PUMP, SPRAY	2	
16	19633	BUSHING, RUBBER FUEL	2	
18	60001	HOSE, .25" ID X .375" OD TYGON 7FT 5IN	8.....	1PC=1FT
19	60002	HOSE, .375" ID X .5" OD TYGON 15IN.....	2.....	1PC=1FT
21	392292	NOZZLE, SPRAY	2	
22	42637	CHECK VALVE, 1/4 MNPT X 1/4FNPT 3PSI	2	
23	16630	WASHER, FLAT SAE, 1/2 HI STREN	2	
25	60002	HOSE, PVC CLEAR .375 DIA. X .50 DIA.	2.....	1PC=1FT

ENGINE MOUNTING ASSY. (LEFT)



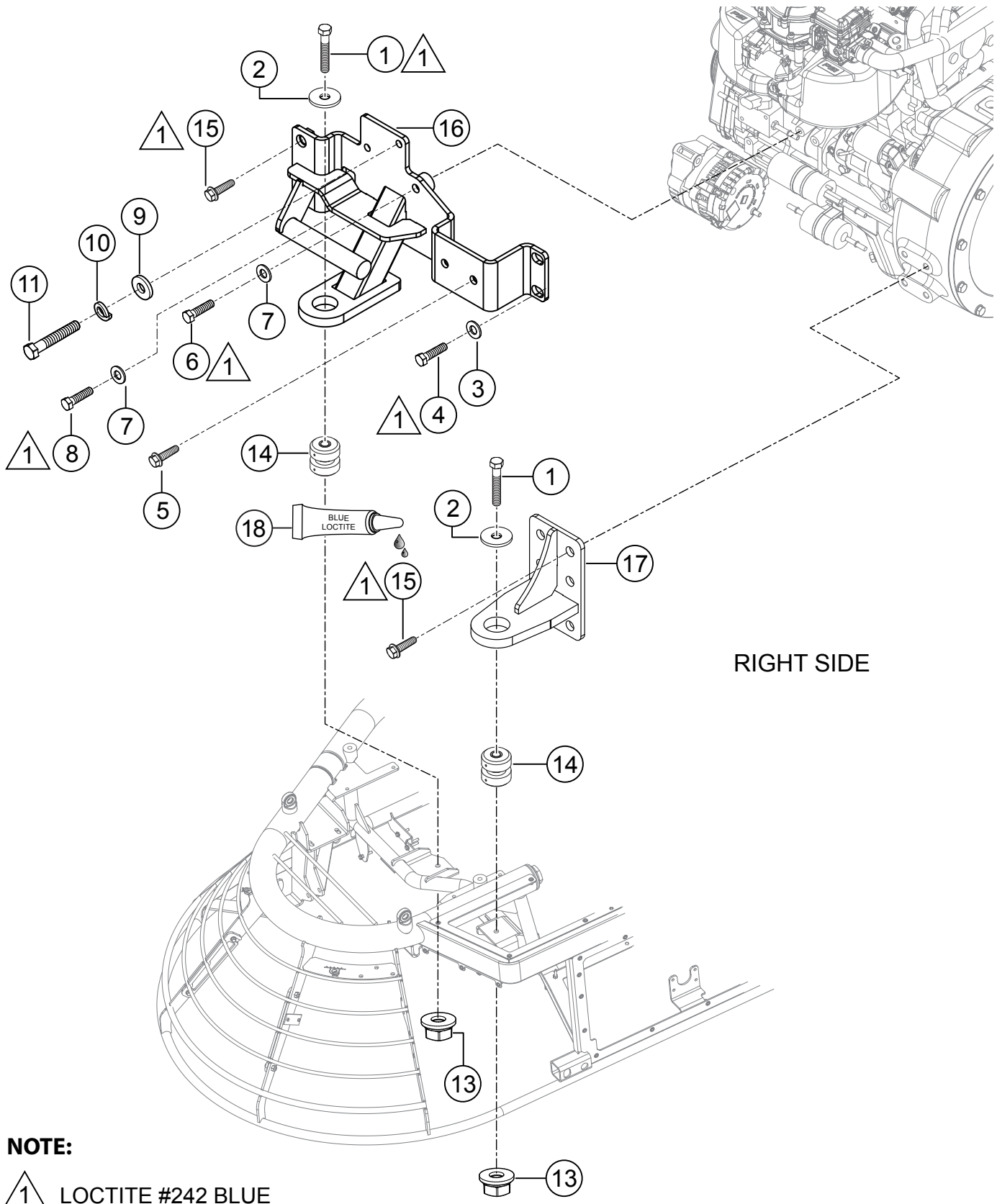
NOTE:

1 LOCTITE #242 BLUE

ENGINE MOUNTING ASSY. (LEFT)

<u>NO.</u>	<u>PART NO.</u>	<u>PART NAME</u>	<u>QTY.</u>	<u>REMARKS</u>
1	9176	SCREW, HHF M12-1.75 x 80MM GR10.9 PATCH	2	
2	20743	WASHER, ISO SNUB KROFUND DYN 148099-18	2	
3	23201-2	ISOLATOR, ARMOR PLATED UNIVERSAL RED	2	
4	42350	SCREW, HFS, ZP, M12-1.75 x 30", CLASS 8.8	6	
5	42451	NUT, HEX, SERRATED-FLANGE, M12 -1 .75	2	
7	42335	SCREW, HHC, ZP, M10-1.25 x 20", CLASS 8.8	2	
8	42343	SCREW, HFS, ZP, M8-1.25 x 20", CLASS 8.8	1	
9	940358	WASHER, FLAT, 10MM ID x 20MM OD, ZP	2	
10	42215	MOUNT, W/A, FRONT ENG HAYES	1	
11	42007	MOUNT, ENGINE, LEFT SIDE W/A	1	
12	1477	LOCTITE #242, BLUE .5CC BOTTLE	AR	

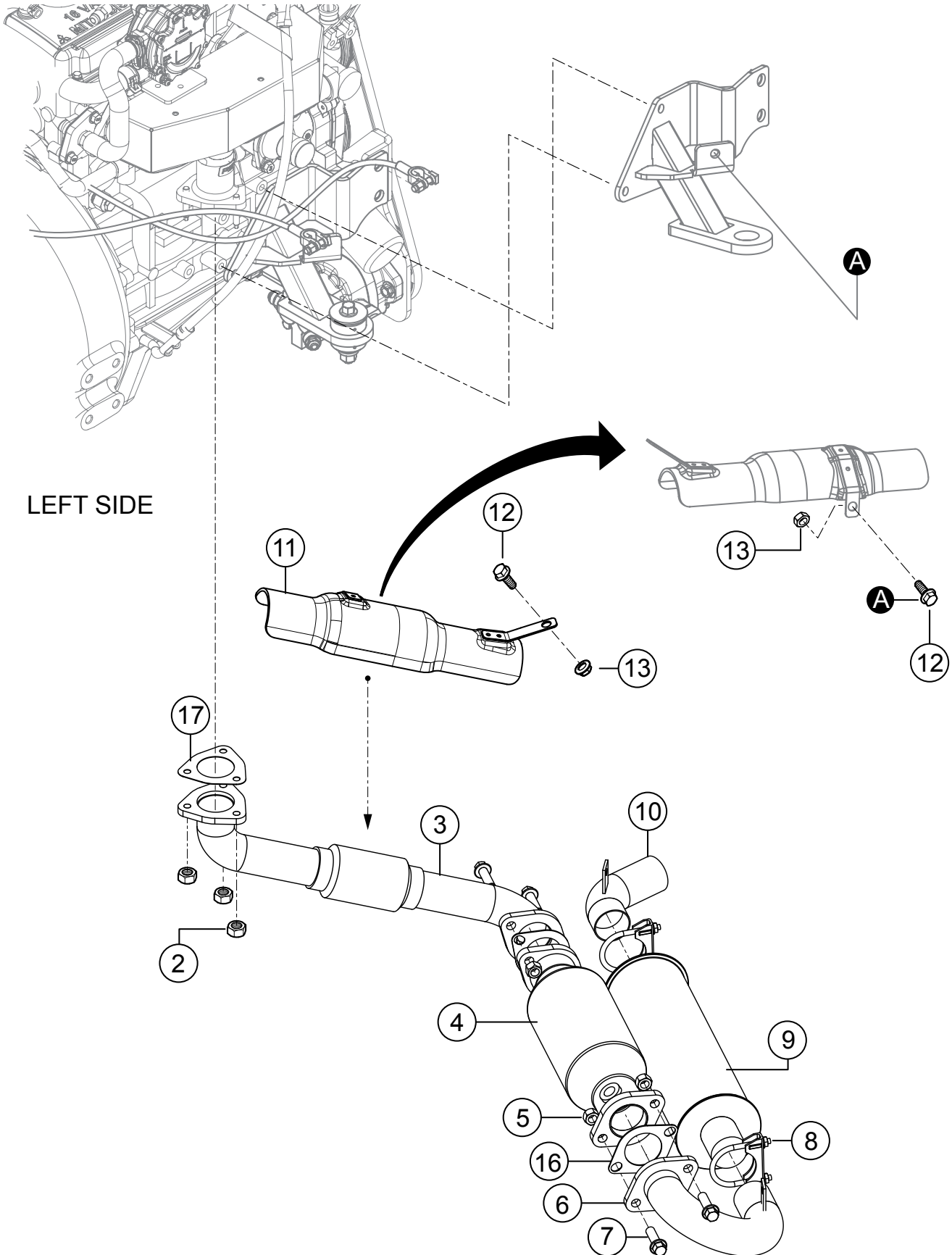
ENGINE MOUNTING ASSY. (RIGHT)



ENGINE MOUNTING ASSY. (RIGHT)

<u>NO.</u>	<u>PART NO.</u>	<u>PART NAME</u>	<u>QTY.</u>	<u>REMARKS</u>
1	9176	SCREW, HHF M12-1.75 x 80MM GR10.9 PATCH	2	
2	20743	WASHER, ISO SNUB KROFUND DYN 148099-18	2	
3	0447	WASHER, FLAT 1/2" SAE	2	
4	42356	SCREW, HHC, ZP, M12-1.25 x 25, CLASS 8.8	2	
5	42343	SCREW, HFS, ZP, M8-1.25 X 20, CLASS 8.8	2	
6	42336	HHC, ZP, M10-1.25 x 35", CLASS 8.8	2	
7	940358	WASHER, FLAT, 10mm ID x 20mm OD, ZP	3	
8	42335	SCREW, HHC, ZP, M10-1.25 x 20", CLASS 8.8	1	
9	23942-097	WASHER M6	2	
10	42357	WASHER, SPLIT LOCK, M6	2	
11	42339	SCREW, HHC, ZP, M6-1.0 x 60", CLASS 8.8	2	
13	42451	NUT, HEX, SERRATED-FLANGE, M12 -1 .75	2	
14	23201-2	ISOLATOR, ARMOR PLATED UNIVERSAL RED	2	
15	42350	SCREW, HFS, ZP, M12-1.75 x 30", CLASS 8.8	6	
16	42006	MOUNT, ENGINE, RIGHT SIDE	1	
17	42215	MOUNT, FRONT ENG HAYES	1	
18	1477	LOCTITE #242, BLUE .5CC BOTTLE	AR	

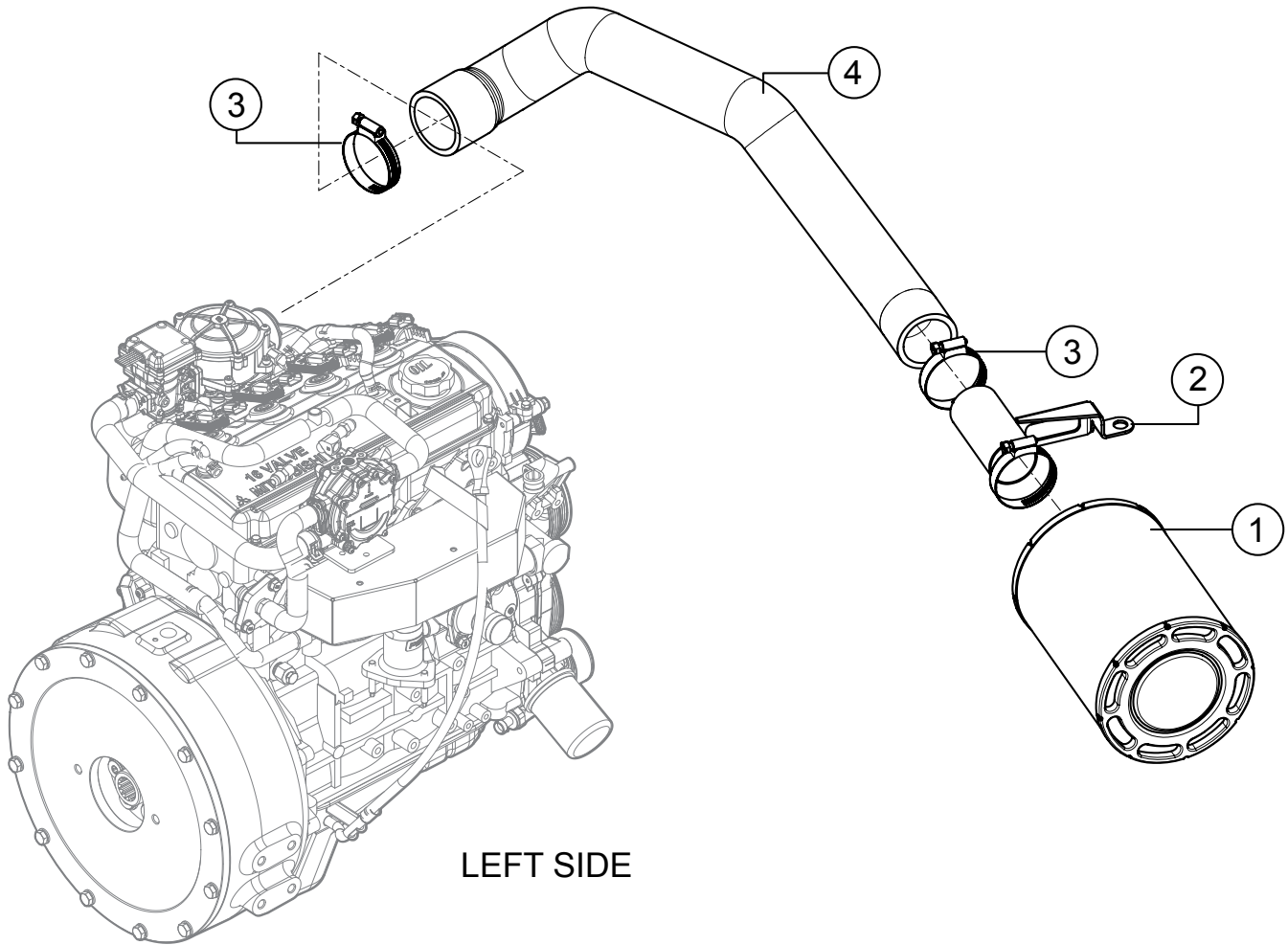
EXHAUST ASSY.



EXHAUST ASSY.

<u>NO.</u>	<u>PART NO.</u>	<u>PART NAME</u>	<u>QTY.</u>	<u>REMARKS</u>
2	20440	NUT, HEX LOCK M8-1.25 THIN HHN	3	
3	43130	EXHAUST, HDR TO CAT	1	
4	42009-07	CATALYTIC CONVERTER, PSI 2.4L ENG	1	
5	42443	NUT, HEX LOCK M12-1.75 DEFORMED	4	
6	42448	EXHAUST, CAT TO MUF W/A	1	
7	42351	SCREW, HFS, ZP, M12-1.75 x 40, CLASS 8.8	4	
8	12597	CLAMP, 2" MUFFLER, SADDLE	2	
9	42087	MUFFLER, PSI 2.4L	1	
10	42461	EXHAUST, MUFFLER EXT.	1	
11	42488-SK	SHIELD, EXHAUST HEADER HEAT	1	
12	23767	SCREW, HHF, M10-1.25 X 20MM	2	
13	42353	NUT, HEX SERRATED FLANGE M10-1.5	2	
16	42009-45	GASKET, EXHAUST 2 BOLTS 3.43" C.D.	2	
17	42009-10	GASKET, EXHAUST HEADER	1	

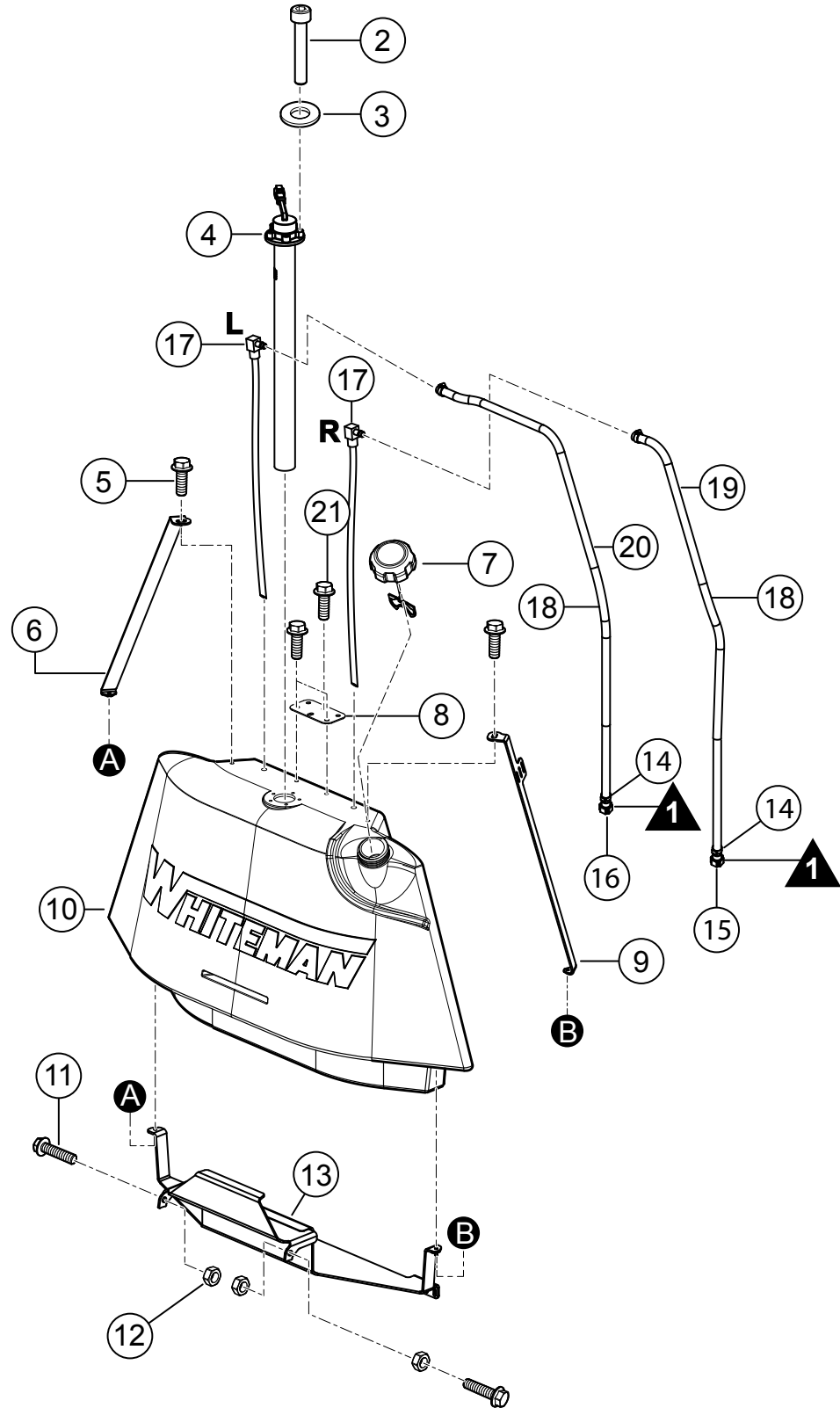
AIR CLEANER ASSY.



AIR CLEANER ASSY.

<u>NO.</u>	<u>PART NO.</u>	<u>PART NAME</u>	<u>QTY.</u>	<u>REMARKS</u>
1	42037	FILTER, AIR, DONALDSON, D065008	1	
2	42493	BRACKET, AIR FILTER COUPLER	1	
3	10434	CLAMP, HOSE WORM #32	3	
4	42231	HOSE, AIR-INTAKE	1	

FUEL SYSTEM ASSY.



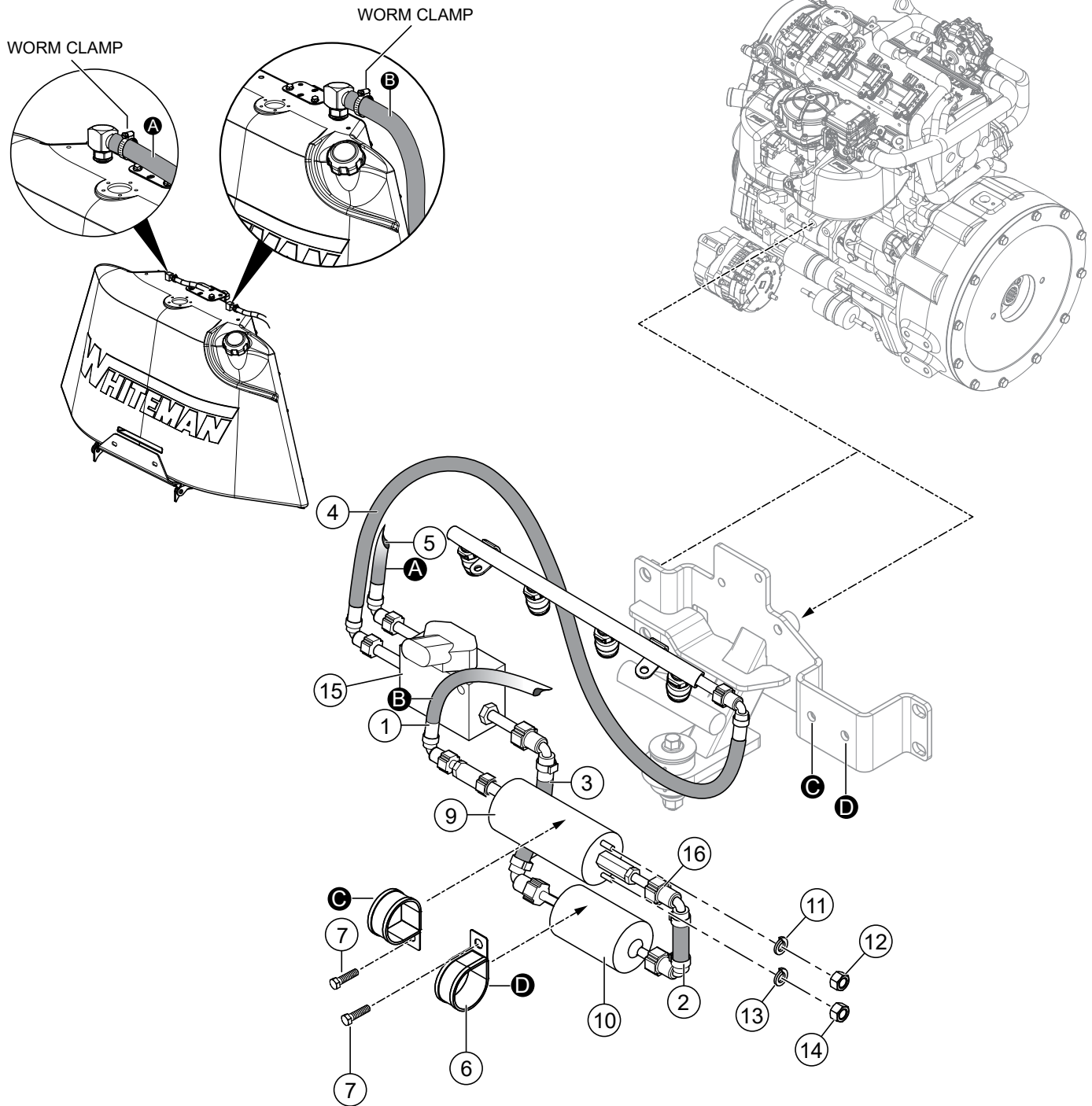
NOTE:

1 SEE FUEL PUMP /FUEL FILTER ASSY

FUEL SYSTEM ASSY.

<u>NO.</u>	<u>PART NO.</u>	<u>PART NAME</u>	<u>QTY.</u>	<u>REMARKS</u>
2@	37325	SCREW, SHC M5 - 0.8 X 30MM	5	
3@	28922-058	WASHER M5	5	
4@	42423	SENDING UNIT, FUEL	1	
5@	42342	SCREW, HFS, ZP, M8-1.25 x 16, CLASS 8.8	4	
6@	42426	BRACKET, FUEL TANK STRAP, RIGHT	1	
7@	42446	CAP, FUEL	1	
8@	42292	PLATE, FUEL TANK TETHER	1	
9@	42425	BRACKET, FUEL TANK STRAP, LEFT	1	
10@	42105	TANK, GEN. 3 GASOLINE, 10 GAL	1	
11@	42343	SCREW, HFS, ZP, M8-1.25 x 20, CLASS 8.8	2	
12@	42344	NUT, NYLOC, M8-1.25, CLASS 8.8	2	
13@	42429	BRACKET, FUEL TANK, WELDMENT	1	
14@	37822	CLAMP, 15.3 OETIKER STEPLESS EAR	4	
15@	42458	FITTING, FUEL, .312, 90° SAE	1	
16@	42457	FITTING, FUEL, .312, STRAIGHT SAE	1	
17@	42501	LINE FUEL TANK PICKUP	2	
18@	42459	HOSE, RUBBER FUEL, SAE J2260 CAT. 1	8	
19@	42452	LINE, FUEL INLET	1	
20@	42456	LINE, FUEL OUTLET	1	
21	42542	SCREW, HFS, ZP, M6-1.0 X 16	3	

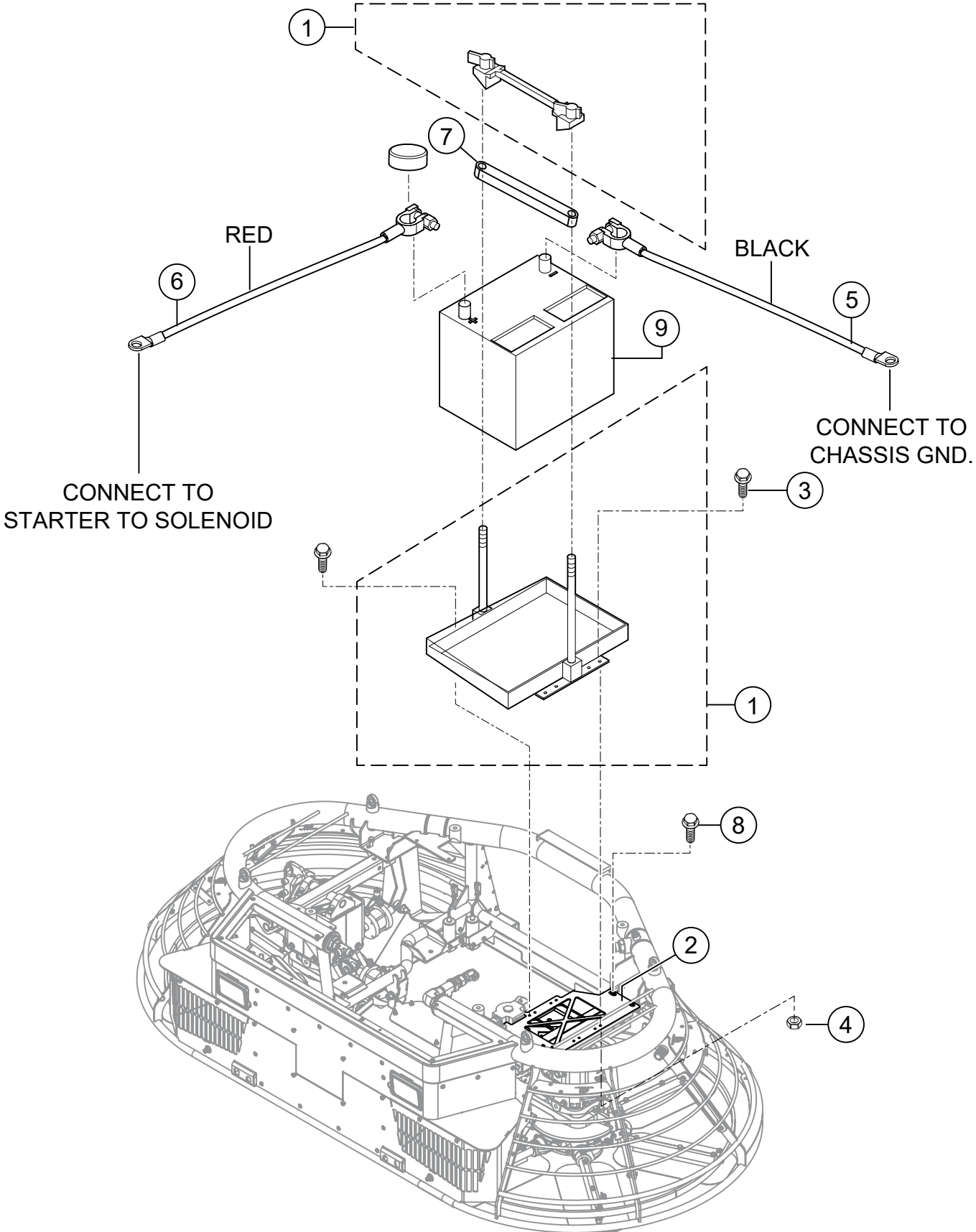
FUEL PUMP AND FUEL FILTER ASSY.



FUEL PUMP AND FUEL FILTER ASSY.

<u>NO.</u>	<u>PART NO.</u>	<u>PART NAME</u>	<u>QTY.</u>	<u>REMARKS</u>
1	42452	LINE, FUEL INLET.....	4.....	1PC=1FT
2	42453	LINE, PUMP TO FILTER.....	1.....	1PC=1FT
3	42454	LINE, FILTER TO MANIFOLD.....	1.....	1PC=1FT
4	42455	LINE, MANIFOLD TO RAIL.....	1.....	1PC=1FT
5	42456	LINE, FUEL RETURN.....	4.....	1PC=1FT
6	19473	CLAMP, HOSE WORM #2 1/4 TO 5/8	2	
7	42343	SCREW, HFS, ZP, M8-1.25 X 20, CLASS 8.8	2	
9	42009-04	PUMP, FUEL	1	
10	42009-03	FILTER, FUEL	1	
11	32663	WASHER, SPLIT LOCK, M5	1	
12	940150	NUT, HEX FULL, M5-0.8P	1	
13	32662	WASHER, SPLIT LOCK, M4	1	
14	32664	NUT, HEX, M4	1	
15	42009-05	MANIFOLD, W/F/TEM	1	
16	42009-63	FITTING, QUICK 90° 5/16"	8	

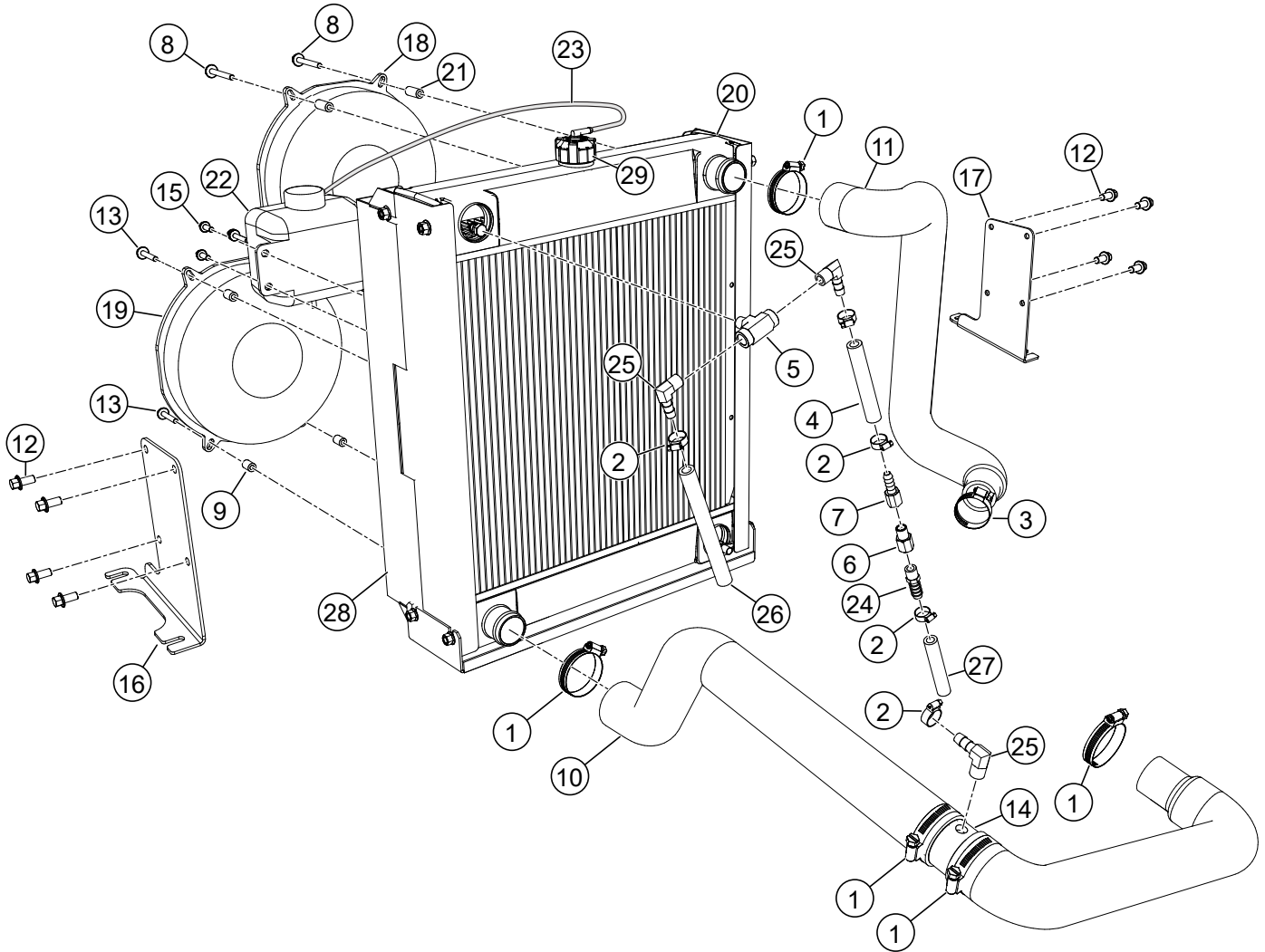
BATTERY ASSY.



BATTERY ASSY.

<u>NO.</u>	<u>PART NO.</u>	<u>PART NAME</u>	<u>QTY.</u>	<u>REMARKS</u>
1	29661	KIT, W/TOP/STUDS/NUTS/TRAY	1	
2	42296	PLATE, BATTERY	1	
3	42347	SCREW, HFS, ZP, M6-10 x 30, CLASS 8.8	4	
4	42352	NUT, HEX, SERRATED-FLANGE, M6-10	4	
5	12278	CABLE, BATTERY NEG 4 GA X 32 X 3/8	1	
6	19303	CABLE, BATTERY POS 4 GA X 48" POST	1	
7	23274	TIE DOWN BAR, BATTERY	1	
8	42343	SCREW, HFS, ZP, M6-1.25 X 20, CLASS 8.8	4	
9		BATTERY, OPTIMA 8022-091	1.....	USE OPTIMA P/N 8022-091

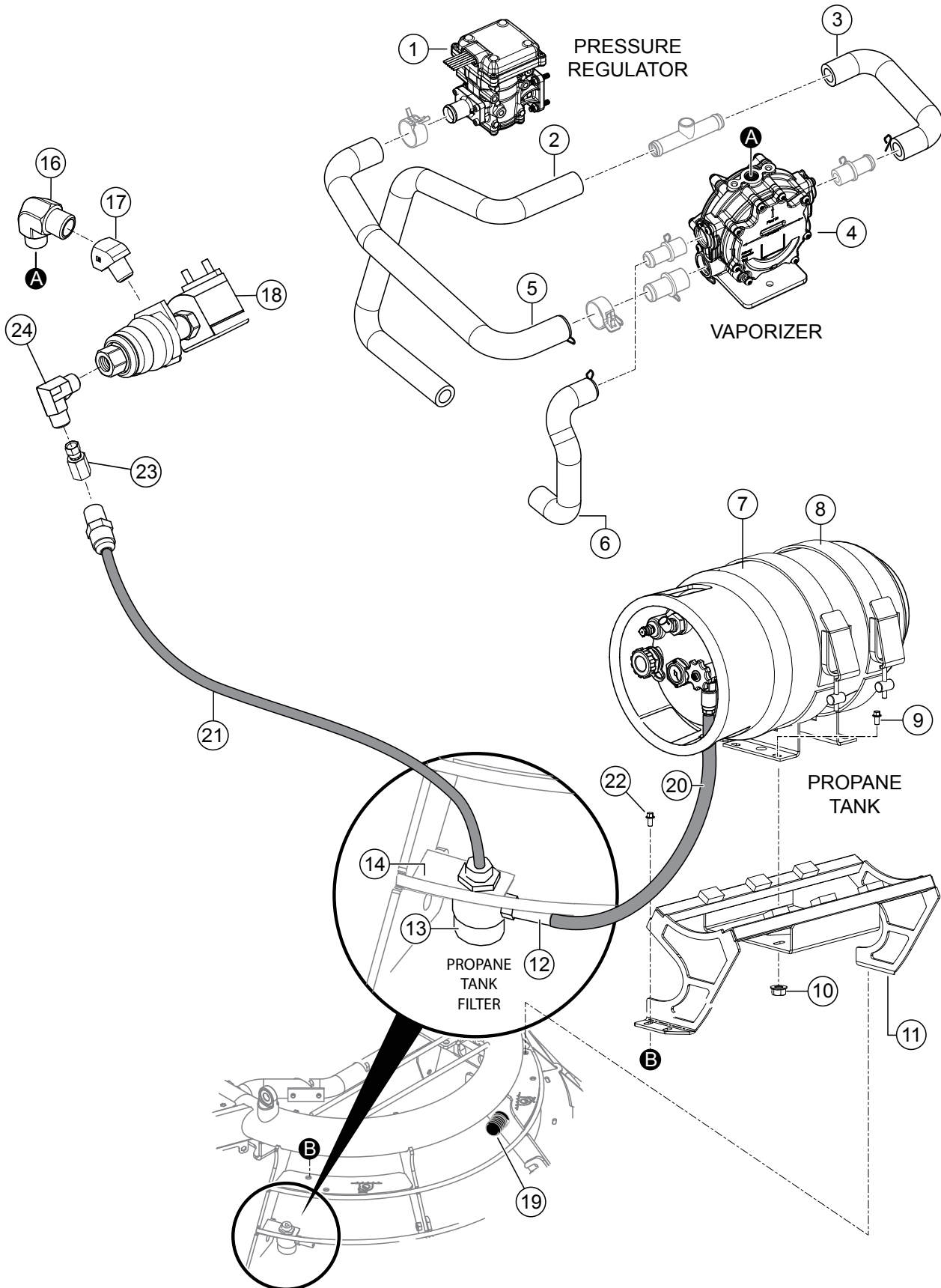
RADIATOR MOUNTING HARDWARE ASSY.



RADIATOR MOUNTING HARDWARE ASSY.

<u>NO.</u>	<u>PART NO.</u>	<u>PART NAME</u>	<u>QTY.</u>	<u>REMARKS</u>
1	10434	CLAMP, HOSE WORM #32	5	
2	15538	CLAMP, HOSE WORM # 6	5	
3	26405	CLAMP, HOSE WORM # 20	1	
4	30025	HOSE, HOT WATER, .375 DIA, 200 PSI, 0.33 FT.....	1.....	1PC=1FT
5	32587	FITTING, BRASS TEE 1/4MP BRANCH	1	
6	32591	FITTING, BRASS 1/4MNPT x .0625 ORIFICE	1	
7	32599	FITTING, BRASS 1/4FNPT x 6 BARB	1	
8	32796	SCREW, HFS M6-1x50MM	4	
9	38063	SPACER, .50 OD X .26 ID X .70	4	
10	42115	HOSE, LOWER RADIATOR	1	
11	42116	HOSE, UPPER RADIATOR	1	
12	42342	SCREW, HFS, ZP, M8-1.25 x 16, CLASS 8.8	8	
13	42354	SCREW HFS, M6-1.0 X 35 CLASS 8.8	4	
14	42439	DRAIN, UNIVERSAL 1.75" HOSE	1	
15	42542	SCREW HFS, ZP, M6-1.0 X 16	4	
16	42910	MOUNT, RADIATOR ASSEMBLY - FRONT	1	
17	42911	MOUNT, RADIATOR ASSEMBLY - BACK	1	
18	42915	ELECTRIC FAN, 11" BRUSHLESS	1	
19	42915	ELECTRIC FAN, 11" BRUSHLESS	1	
20	42926	RADIATOR, DUAL FAN	1	
21	42927	SPACER, .50 OD X .26 ID X 1.13	4	
22	42928	BOTTLE, RADIATOR OVERFLOW, 2 QUART	1	
23	60001	HOSE, .375 O.D. x .25 I.D. CLEAR PVC 1.33 FT	2.....	1PC=1FT
24	370456	FITTING, BRASS 6BARB-1/4MP	1	
25	370582	FITTING, BRASS 90 6BARB - 1/4 MP	3	
26	30025	HOSE, HOT WATER, .375 DIA, 200 PSI, 1.67 FT.....	2.....	1PC=1FT
27	30025	HOSE, HOT WATER, .375 DIA, 200 PSI, 2.17 FT.....	3.....	1PC=1FT
28	42898	SHROUD W/A, DUAL ENGINE FAN, HTXG6DF	1	
29	42926-01	CAP, RADIATOR	1	

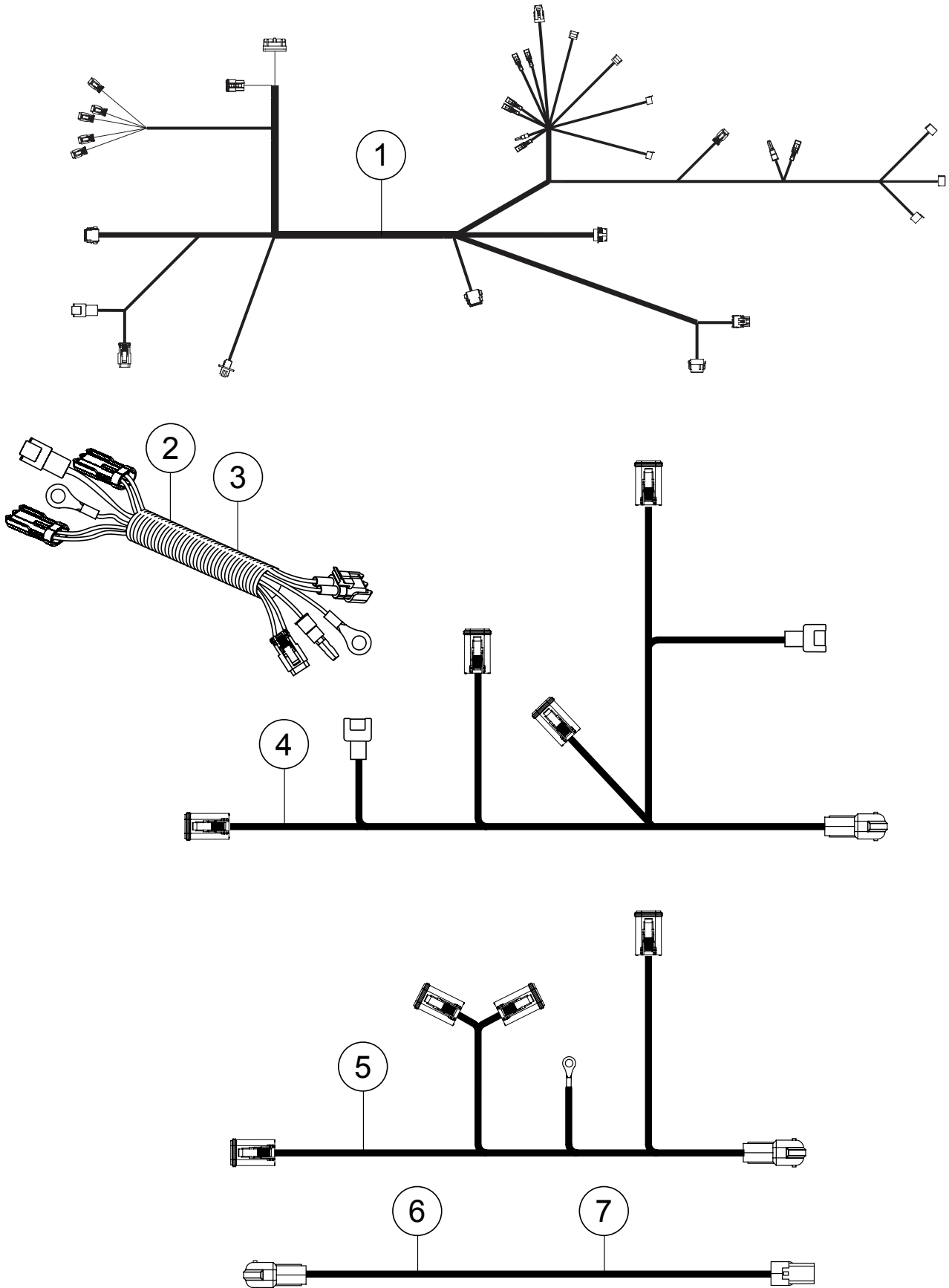
LPG FUEL COMPONENTS ASSY.



LPG FUEL COMPONENTS ASSY.

<u>NO.</u>	<u>PART NO.</u>	<u>PART NAME</u>	<u>QTY</u>	<u>REMARKS</u>
1	42009-37	EPR, SPI 2.4L	1	
2	32001131	HOSE	1	
3	32001132	HOSE	1	
4	42009-41	REGULATOR, PSI 2.4L	1	
5	32001129	HOSE	1	
6	32001130	HOSE	1	
7	30006	TANK, PROPANE, 33.5LBS.	1	
8	46126	STRAP, PROPANE TANK	1	
9	46034	SCREW, HHFS 3/8-16 X 2.00"	4	
10	21781	NUT, FLANGED 3/8-16 SERRATED PLTD	6	
11	42310	MOUNT W/A, PROPANE TANK	1	
12	42200	VALVE, PRESSURE RELIEF — LP	1	
13	42322	FILTER, PROPANE IN-LINE	1	
14	42277	MOUNT, PROPANE ASSEMBLY	1	
16	32500242	FITTING	1	
17	32502020	FITTING	1	
18	42009-38	VALVE, LOCK OFF PSI 2.4L	1	
19	30007	CONNECTOR, PROPANE TANK, FEMALE	1	
20	43046	HOSE ASM 1/4"ID LPG X 30.0" 2X 1/4MP	1	
21	43047	HOSE ASM 1/4"ID LPG X44.5" 2X 1/4MP	1	
22	42343	SCREW, HFS, M8-1.25 X 20, CLASS 8.8	4	
23	32832	FITTING, STR -4FJ x -4FP	1	
24	32833	FITTING 4MJ x 4MBSPT 90°	1	

HARNES ASSY.



HARNES ASSY.

<u>NO.</u>	<u>PART NO.</u>	<u>PART NAME</u>	<u>QTY.</u>	<u>REMARKS</u>
1	42917	HARNES, MAIN	1	
2	42136	HARNES, LH CONSOLE	1	
3	42137	HARNES, RH CONSOLE	1	
4	42387	HARNES, FOOT PLATFORM	1	
5	42432	HARNES, FUEL PUMP, PSI 2.4L	1	
6	22796	HARNES, SEAT SWITCH	1	
7	42265	HARNES, FILTER CONNECTION	1	