

**PARTS MANUAL**



*Mikasa* **SERIES**  
**MODEL MVB85H**  
**PLATE COMPACTOR**  
**(HONDA GX120UT2SM12 GASOLINE ENGINE)**

Revision #2 (05/27/20)

**THIS MANUAL MUST ACCOMPANY THE EQUIPMENT AT ALL TIMES.**

# TABLE OF CONTENTS

## MVB85H Plate Compactor

Explanation Of Code In Remarks Column.....	4
Suggested Spare Parts .....	5

### Component Drawings

Nameplate And Decals Assembly .....	6-7
Body Assembly .....	8-9
Vibrator Assembly .....	10-11
Roller Assembly .....	12-13
Clutch Assembly .....	14-15
Handle Assembly .....	16-17

## Honda GX120UT2SM12 Engine

Cylinder Head Assembly .....	18-19
Cylinder Barrel Assembly .....	20-21
Crankcase Cover Assembly .....	22-23
Crankshaft Assembly .....	24-25
Piston Assembly .....	26-27
Camshaft Assembly .....	28-29
Recoil Starter Assembly .....	30-31
Fan Cover Assembly .....	32-33
Carburetor Assembly .....	34-35
Air Cleaner Assembly .....	36-37
Muffler Assembly .....	38-39
Fuel Tank Assembly .....	40-41
Flywheel Assembly .....	42-43
Ignition Coil Assembly .....	44-45
Control Assembly .....	46-47
Decals Assembly .....	48-49

### NOTICE

Specifications and part numbers are subject to change without notice.

# EXPLANATION OF CODE IN REMARKS COLUMN

The following section explains the different symbols and remarks used in the Parts section of this manual. Use the help numbers found on the back page of the manual if there are any questions.

**NOTICE**

The contents and part numbers listed in the parts section are subject to change **without notice**. Multiquip does not guarantee the availability of the parts listed.

## SAMPLE PARTS LIST

NO.	PART NO.	PART NAME	QTY.	REMARKS
1	12345	BOLT .....	1	INCLUDES ITEMS W/%
2%		WASHER, 1/4 IN. ....		NOT SOLD SEPARATELY
2%	12347	WASHER, 3/8 IN. ...	1	MQ-45T ONLY
3	12348	HOSE .....	A/R	MAKE LOCALLY
4	12349	BEARING .....	1	S/N 2345B AND ABOVE

### NO. Column

**Unique Symbols** — All items with same unique symbol (@, #, +, %, or >) in the number column belong to the same assembly or kit, which is indicated by a note in the “Remarks” column.

**Duplicate Item Numbers** — Duplicate numbers indicate multiple part numbers, which are in effect for the same general item, such as different size saw blade guards in use or a part that has been updated on newer versions of the same machine.

**NOTICE**

When ordering a part that has more than one item number listed, check the remarks column for help in determining the proper part to order.

### PART NO. Column

**Numbers Used** — Part numbers can be indicated by a number, a blank entry, or TBD.

TBD (To Be Determined) is generally used to show a part that has not been assigned a formal part number at the time of publication.

A blank entry generally indicates that the item is not sold separately or is not sold by Multiquip. Other entries will be clarified in the “Remarks” Column.

### QTY. Column

**Numbers Used** — Item quantity can be indicated by a number, a blank entry, or A/R.

A/R (As Required) is generally used for hoses or other parts that are sold in bulk and cut to length.

A blank entry generally indicates that the item is not sold separately. Other entries will be clarified in the “Remarks” Column.

### REMARKS Column

Some of the most common notes found in the “Remarks” Column are listed below. Other additional notes needed to describe the item can also be shown.

**Assembly/Kit** — All items on the parts list with the same unique symbol will be included when this item is purchased.

Indicated by:

“INCLUDES ITEMS W/(unique symbol)”

**Serial Number Break** — Used to list an effective serial number range where a particular part is used.

Indicated by:

“S/N XXXXX AND BELOW”

“S/N XXXX AND ABOVE”

“S/N XXXX TO S/N XXX”

**Specific Model Number Use** — Indicates that the part is used only with the specific model number or model number variant listed. It can also be used to show a part is NOT used on a specific model or model number variant.

Indicated by:

“XXXXX ONLY”

“NOT USED ON XXXX”

**“Make/Obtain Locally”** — Indicates that the part can be purchased at any hardware shop or made out of available items. Examples include battery cables, shims, and certain washers and nuts.

**“Not Sold Separately”** — Indicates that an item cannot be purchased as a separate item and is either part of an assembly/kit that can be purchased, or is not available for sale through Multiquip.

## SUGGESTED SPARE PARTS

---

### MVB85H PLATE COMPACTOR WITH HONDA GX120UT2SM12 GASOLINE ENGINE

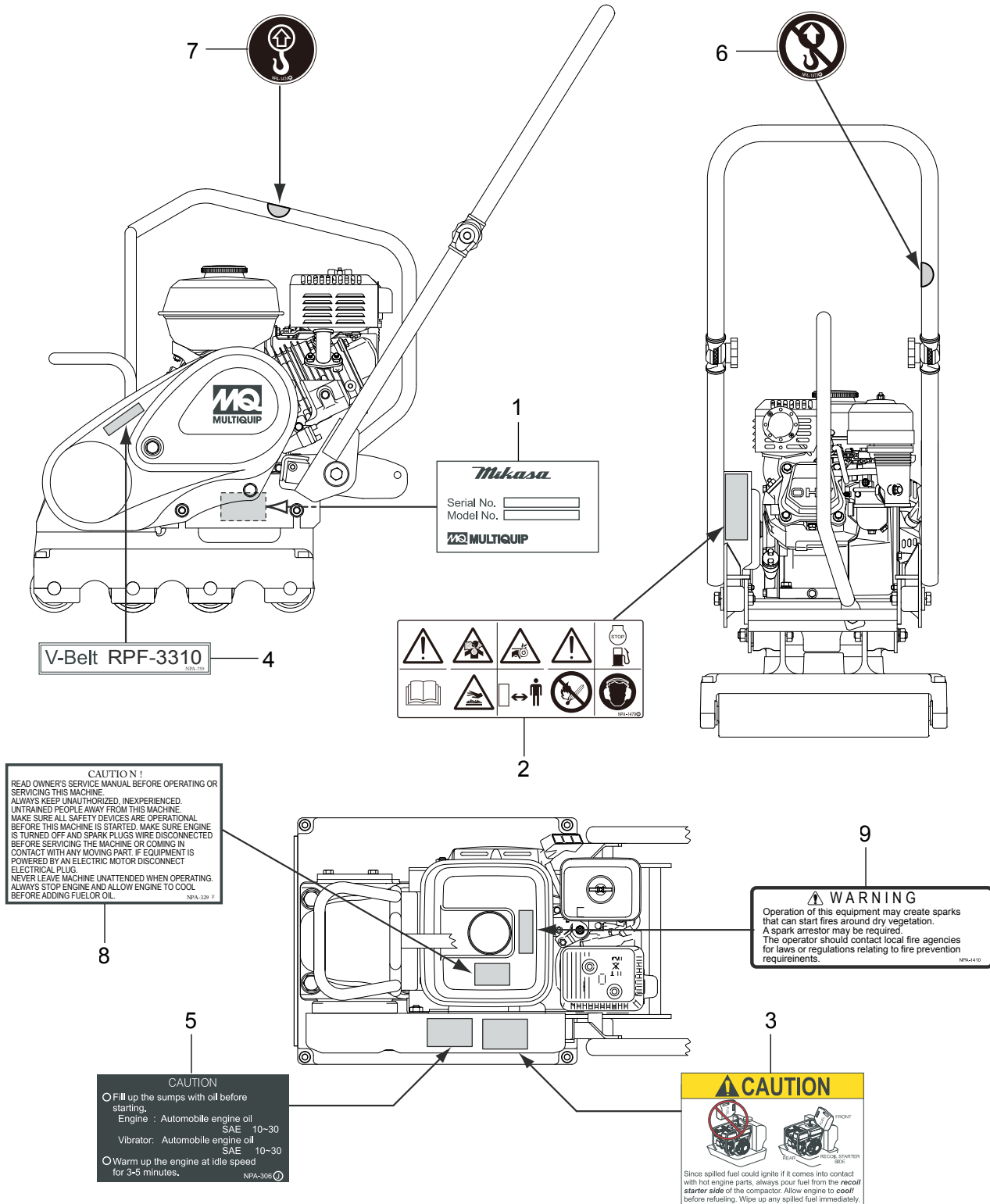
#### 1 to 5 units

Qty.	P/N	Description
3.....	070100332.....	V-BELT, RPF3330
5.....	0650140480.....	SPARK PLUG, BPR6ES
1.....	28462ZH8003.....	ROPE, RECOIL STARTER
5.....	17210ZE0505.....	ELEMENT, AIR CLEANER INNER
5.....	17218ZE0505.....	ELEMENT, AIR CLEANER OUTER
1.....	17620Z4H030.....	CAP COMPLETE, FUEL TANK
1.....	17672Z4H000.....	FUEL FILTER, FUEL TANK
4.....	939010400.....	SHOCK ABSORBER

#### **NOTICE**

Part numbers on this Suggested Spare Parts list may supersede/replace the part numbers shown in the following parts lists.

# NAMEPLATE AND DECALS ASSY.

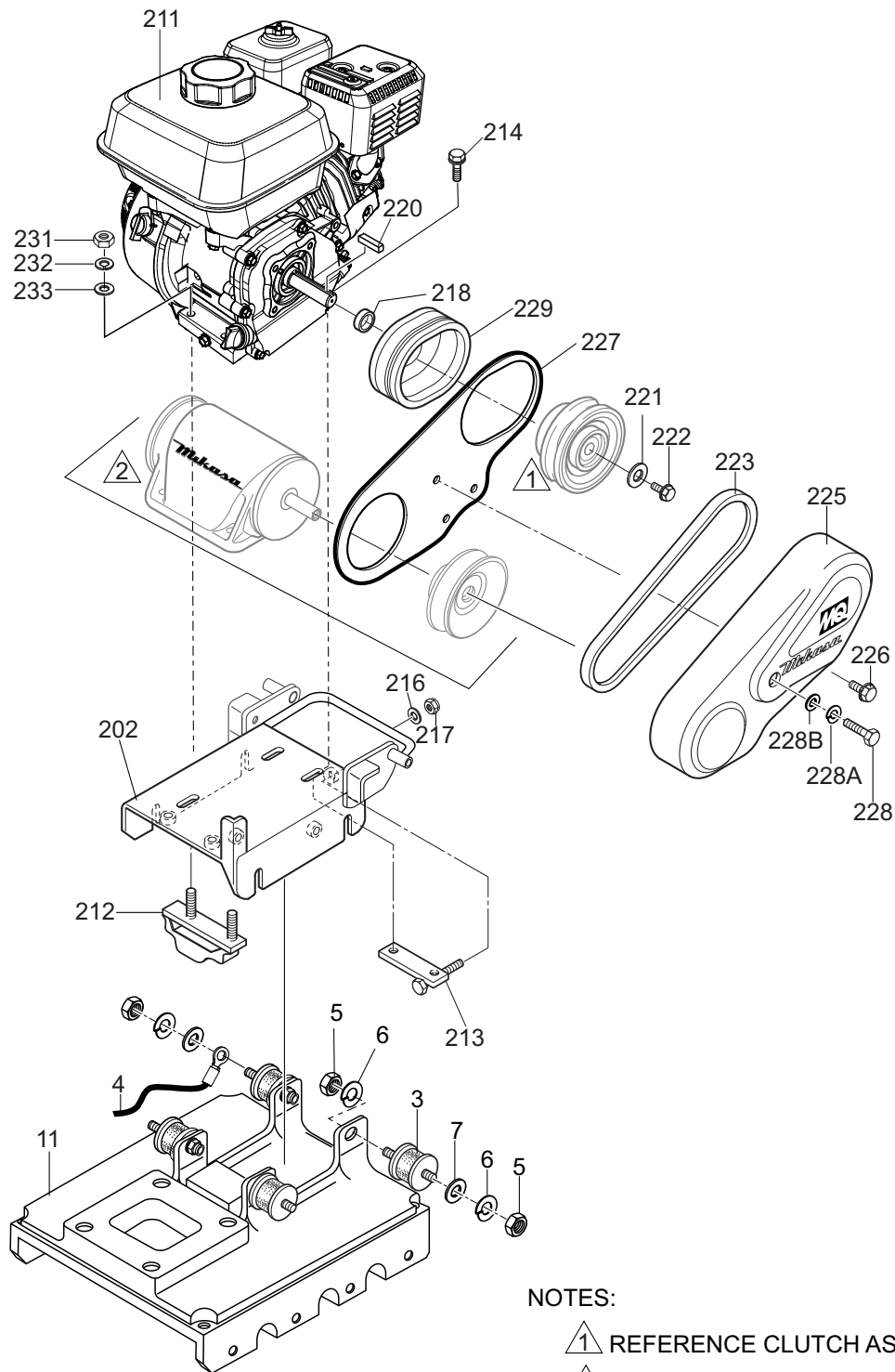


## NAMEPLATE AND DECALS ASSY.

---

<u>NO.</u>	<u>PART NO.</u>	<u>PART NAME</u>	<u>QTY.</u>	<u>REMARKS</u>
1		PLATE, SERIAL NO.....	1.....	CONTACT MQ PARTS DEPT.
2	920214790	DECAL, CAUTION (ICON).....	1.....	NPA-1479
3	920212320	DECAL, FUEL CAUTION.....	1.....	NPA1232
4	920207590	DECAL, V-BELT RPF3310.....	1.....	NPA-759
5	920203060	DECAL, CAUTION.....	1.....	NPA-306
6	920214730	DECAL, DO NOT LIFT.....	1.....	NPA-1473
7	920214740	DECAL, LIFTING POSITION.....	1.....	NPA-1474
8	920203290	DECAL, CAUTION.....	1.....	NPA-329
9	920214100	DECAL, ENGINE FIRE WARNING.....	1.....	NPA-1410

# BODY ASSY.



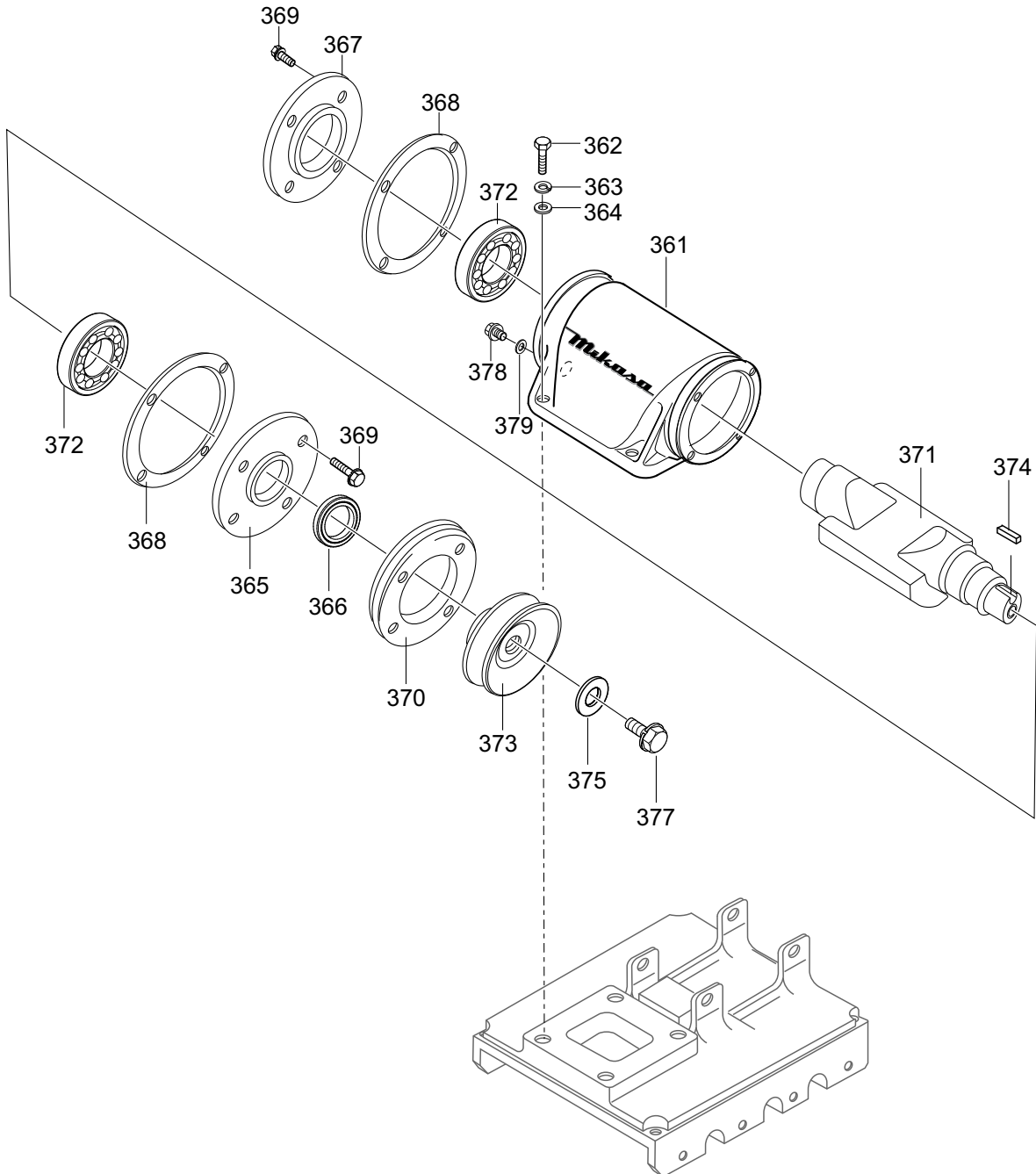
## NOTES:

- ① REFERENCE CLUTCH ASSY.
- ② REFERENCE VIBRATOR ASSY.

## BODY ASSY.

<u>NO.</u>	<u>PART NO.</u>	<u>PART NAME</u>	<u>QTY.</u>	<u>REMARKS</u>
3	939010400	SHOCK ABSORBER D45"XH41"	4	
4	959404350	EARTH WIRE	1	
5	020310080	NUT M10	8	
6	030210250	WASHER, LOCK M10	8	
7	031110160	WASHER, FLAT M10	4	
11	418118110	FRAME	1	
202	418219100	BASE	1	
211	912212011	ENGINE, HONDA GX120UT2SM12	1	
212	418457690	BOLT, ENGINE	1	
213	413436870	ENGINE NUT, REAR	1	
214	011008040	BOLT ASSY., 8X40 .....	2	REPLACES P/N 002410840
216	0401450080	WASHER, FLAT M8 SS .....	1	REPLACES P/N 031108160
217	022710809	NYLON NUT M8	1	
218	404418150	SPACER 18X25X8 CLUTCH	1	
220	0320050150	KEY	1	
221	952400130	WASHER	1	
222	011708025	BOLT ASSY., 8X25 .....	1	REPLACES P/N 002210825
223	070100312	V-BELT RPF3310	1	
225	418216470	BELT COVER, OUTSIDE.....	1	REPLACES P/N 418216460
226	002411035	BOLT ASSY., 10X35	1	
227	418216480	BELT COVER, INSIDE	1	
228	001221053	BOLT, 10X65	1	
228A	030210250	WASHER, LOCK	1	
228B	031110160	WASHER, FLAT	1	
229	418343420	COVER SEAL	1	
231	020108060	NUT M8.....	2	REPLACES P/N 020308060
232	030208200	WASHER, LOCK M8	2	
233	031108160	WASHER, FLAT M8	2	

# VIBRATOR ASSY.

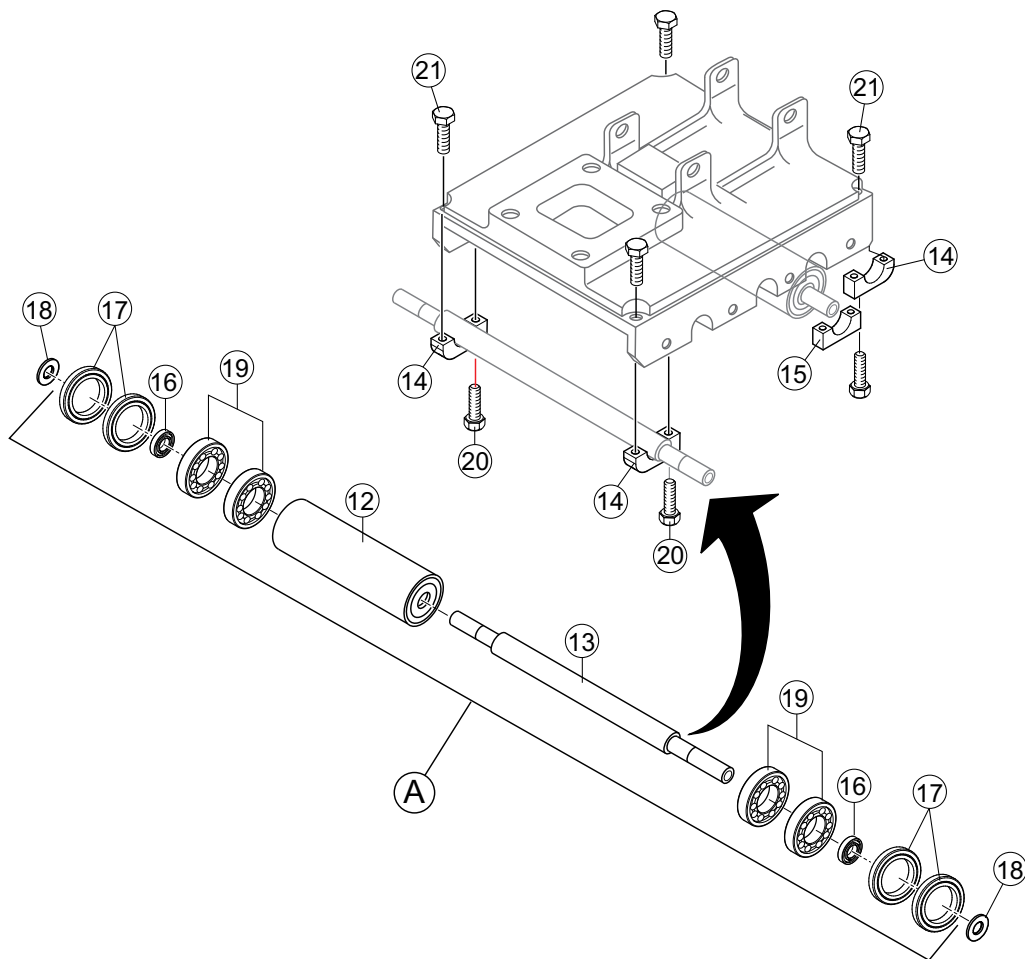


## VIBRATOR ASSY.

---

<u>NO.</u>	<u>PART NO.</u>	<u>PART NAME</u>	<u>QTY.</u>	<u>REMARKS</u>
361	418117730	VIBRATING PLATE/CASE ASSY.	1	
362	001221445	BOLT 14X45	4	
363	030214350	WASHER, LOCK M14	4	
364	031114260	WASHER, FLAT	4	
365	418464310	CASE COVER, PULLEY	1	
366	060403020	OIL SEAL, TC30458	1	
367	418456960	CASE COVER, SHUT-OFF	1	
368	418456971	PACKING	2	
369	3013820	BOLT ASSY. 8X20.....	8	REPLACES P/N 002400820
370	418464510	COVER, SEAL VIB	1	
371	418343400	ECCENTRIC ROTATOR SHAFT	1	
372	040406307	BEARING 6307C4	2	
373	418456981	PULLEY, VIBRATOR ASSY.	1	
374	951401920	KEY 7X7X30	1	
375	952403450	WASHER 11X35X4.5	1	
377	012010030	BOLT ASSY. 10X30.....	1	REPLACES P/N 002211030
378	953400270	PLUG, 1/4X14X10L	1	
379	953405260	PACKING 1/4"	1	

# ROLLER ASSY.

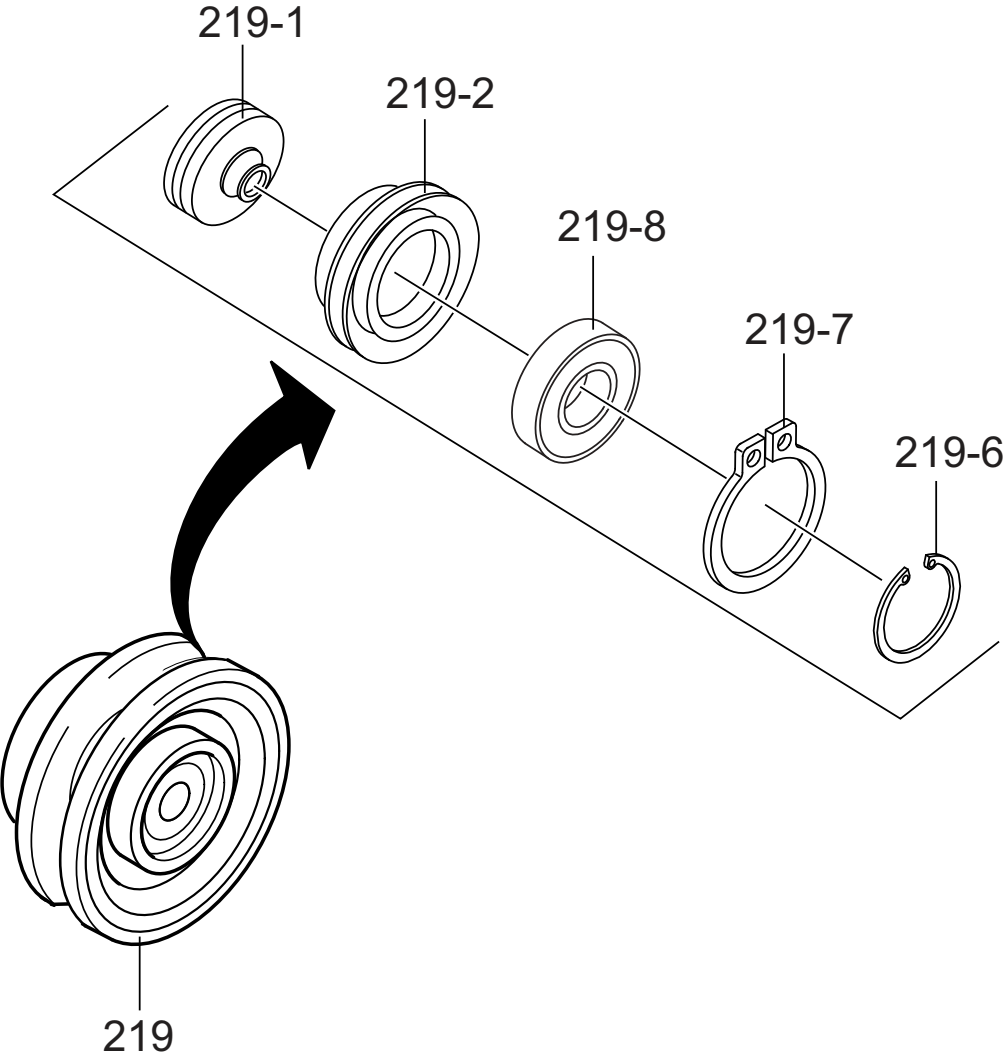


## ROLLER ASSY.

---

<u>NO.</u>	<u>PART NO.</u>	<u>PART NAME</u>	<u>QTY.</u>	<u>REMARKS</u>
A	418910090	ROLLER ASSY.....	4.....	INCLUDES ITEMS W/\$
12\$	418344260	ROLL	4	
13\$	418344270	ROLL SHAFT	4	
14	418458130	SHAFT HOLDER (END)	4	
15	418458140	SHAFT HOLDER (INSIDE)	4	
16\$	049920010	NEEDLE BEARING (INNER RING)	8	
17\$	060602050	OIL SEAL	16	
18	952402281	WASHER	8	
19\$	046006304	BEARING 6304	16	
20	001521025	BOLT, SOCKET HEAD 10X25	12	
21	001521052	BOLT, SOCKET HEAD 10X60	4	

**CLUTCH ASSY.**

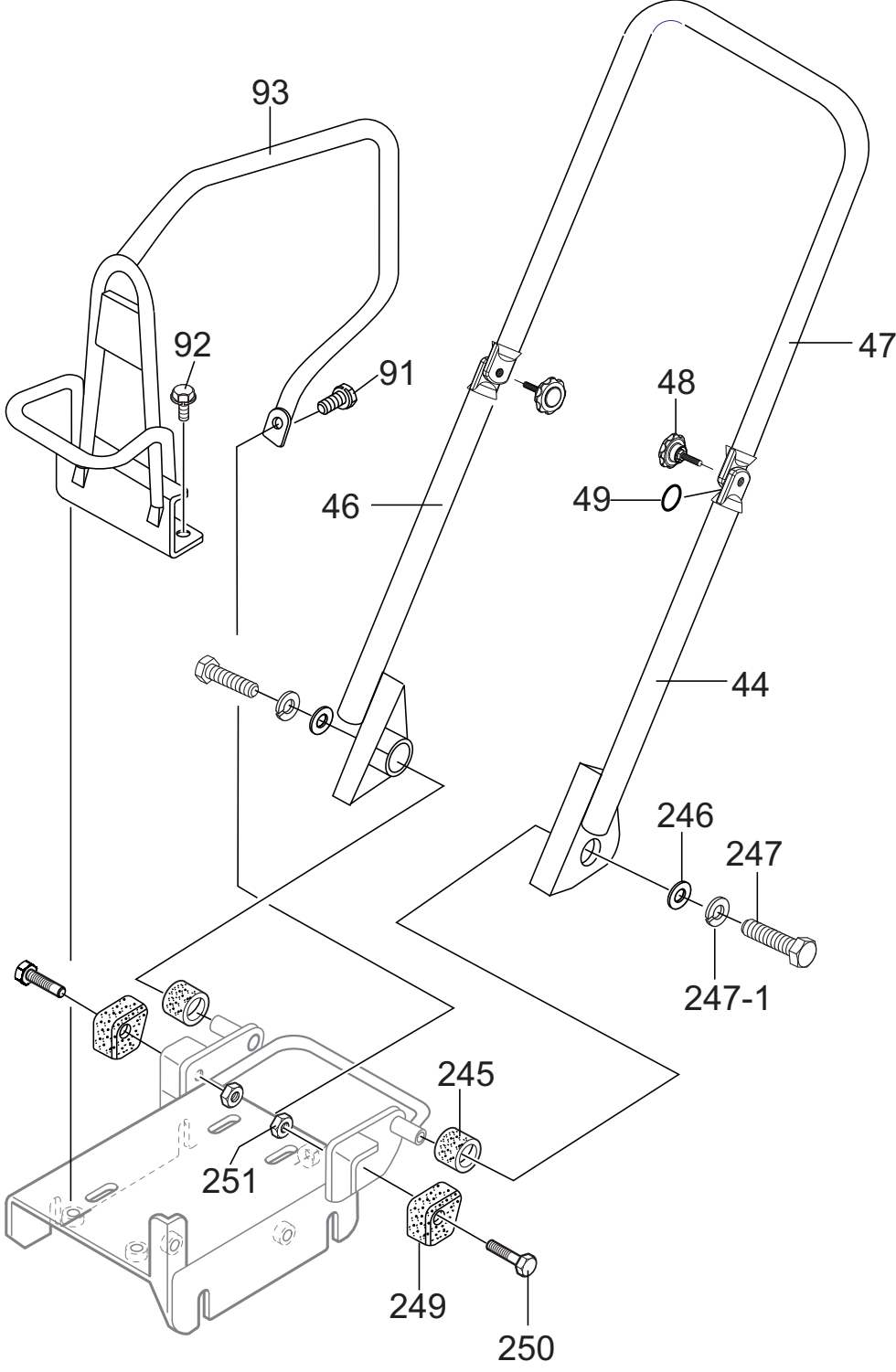


# CLUTCH ASSY.

---

<u>NO.</u>	<u>PART NO.</u>	<u>PART NAME</u>	<u>QTY.</u>	<u>REMARKS</u>
219	460446780	CLUTCH ASSY. ....	1.....	INCLUDES ITEMS W/#
219-1#	943920080	CLUTCH SHAFT	1	
219-2#	941010400	CLUTCH PULLEY	1	
219-6#	080200300	SNAP RING	1	
219-7#	080600550	SNAP RING	1	
219-8#	046006006	BEARING 6006	1	

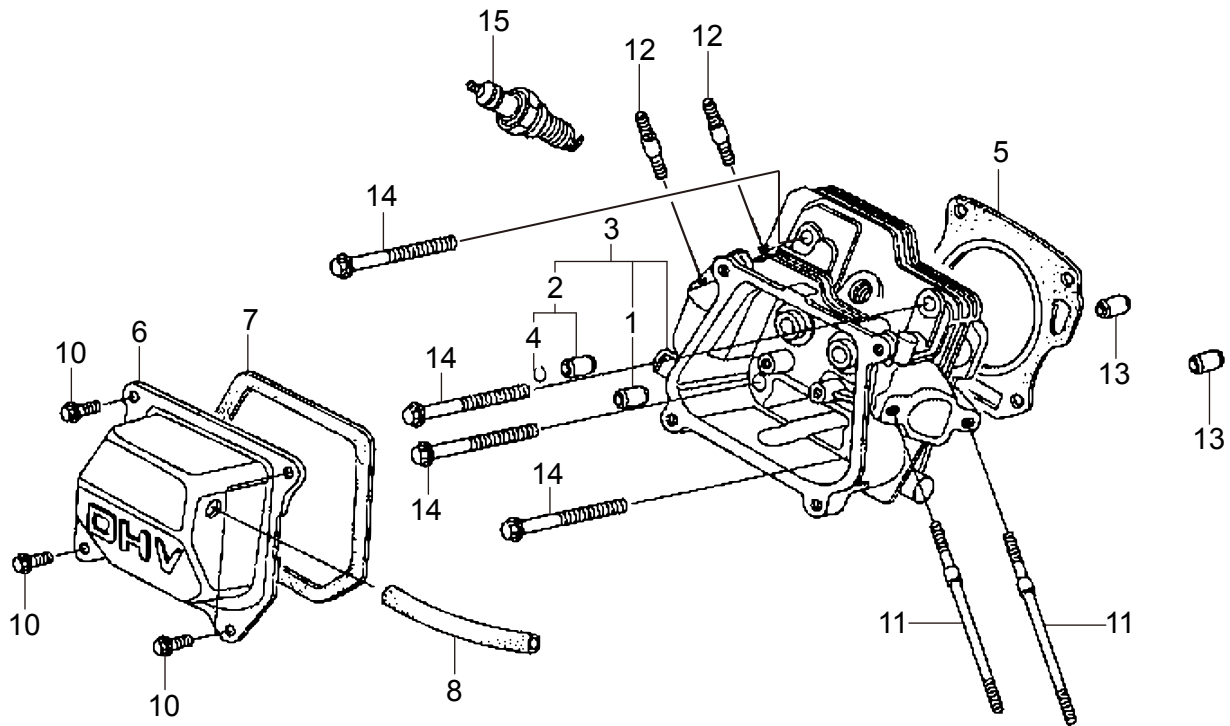
**HANDLE ASSY.**



## HANDLE ASSY.

<u>NO.</u>	<u>PART NO.</u>	<u>PART NAME</u>	<u>QTY.</u>	<u>REMARKS</u>
44	418352730	HANDLE, LOWER LEFT	1	
46	418352740	HANDLE, LOWER RIGHT	1	
47	418346400	HANDLE, UPPER	1	
48	959406961	GRIP BOLT 45X10X30	2	
49	050200080	O-RING	2	
91	012010030	BOLT ASSY., 10X30 .....	1	REPLACES P/N 002211030
92	012210025	BOLT ASSY., 10X25 .....	2	REPLACES P/N 002211025
93	418216870	HOOK	1	
245	404433430	RUBBER 20X32X28.5	2	
246	952403450	WASHER 11X35X4.5	2	
247	012210020	BOLT 10X20.....	2	REPLACES P/N 001221020
247-1	030210250	WASHER, LOCK M10	2	
249	413436720	RUBBER, HANDLE	2	
250	001520845	BOLT, SOCKET HEAD 8X45	2	
251	020308060	NUT M8	2	

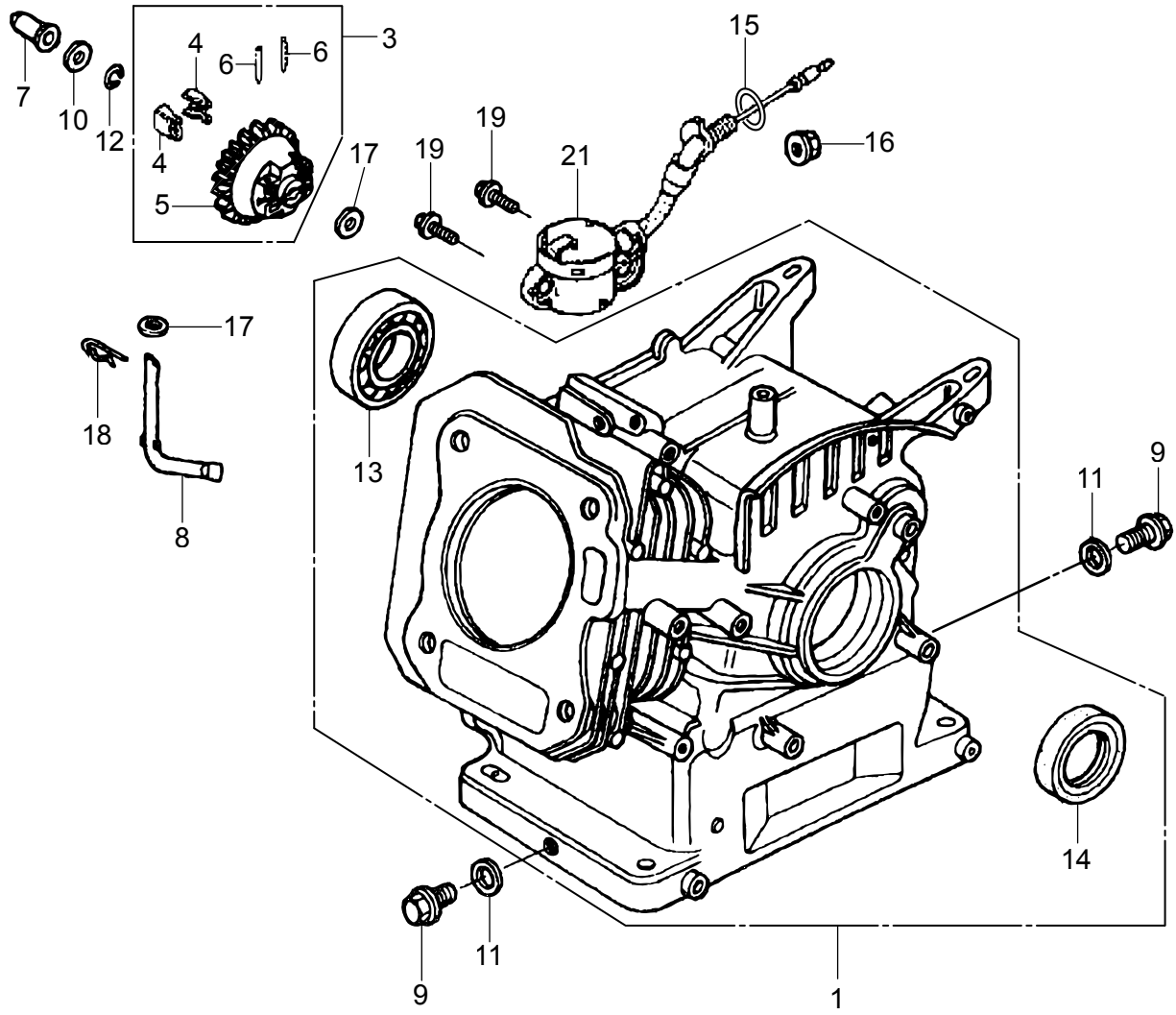
# HONDA GX120UT2SM12 ENGINE — CYLINDER HEAD ASSY.



## HONDA GX120UT2SM12 ENGINE — CYLINDER HEAD ASSY.

<u>NO.</u>	<u>PART NO.</u>	<u>PART NAME</u>	<u>QTY.</u>	<u>REMARKS</u>
1%	12204ZE1306	GUIDE, INLET VALVE (O.S.)	1	
2%	12205ZE1315	GUIDE, EXHAUST VALVE (O.S.).....	1.....	INCLUDES ITEM W/\$
3	12210ZH7415	HEAD COMPLETE, CYLINDER.....	1.....	INCLUDES ITEMS W/%
4\$%	12216ZE5300	CLIP, VALVE GUIDE	1	
5	12251Z0S801	GASKET, CYLINDER HEAD	1	
6	12310Z4M000	COVER COMPLETE, HEAD	1	
7	12391ZE1000	PACKING, HEAD COVER	1	
8	15721ZH8000	TUBE, BREATHER	1	
10	90013883000	FLANGE BOLT 6X12	4	
11	90043Z4M000	STUD BOLT 6X114	2	
12	90047ZE1000	STUD BOLT 8X32	2	
13	9430110160	KNOCK PIN 10X16	2	
14	957010805500	BOLT, FLANGE 8X55	4	
15	0650140480	SPARK PLUG, BPR6ES	1	

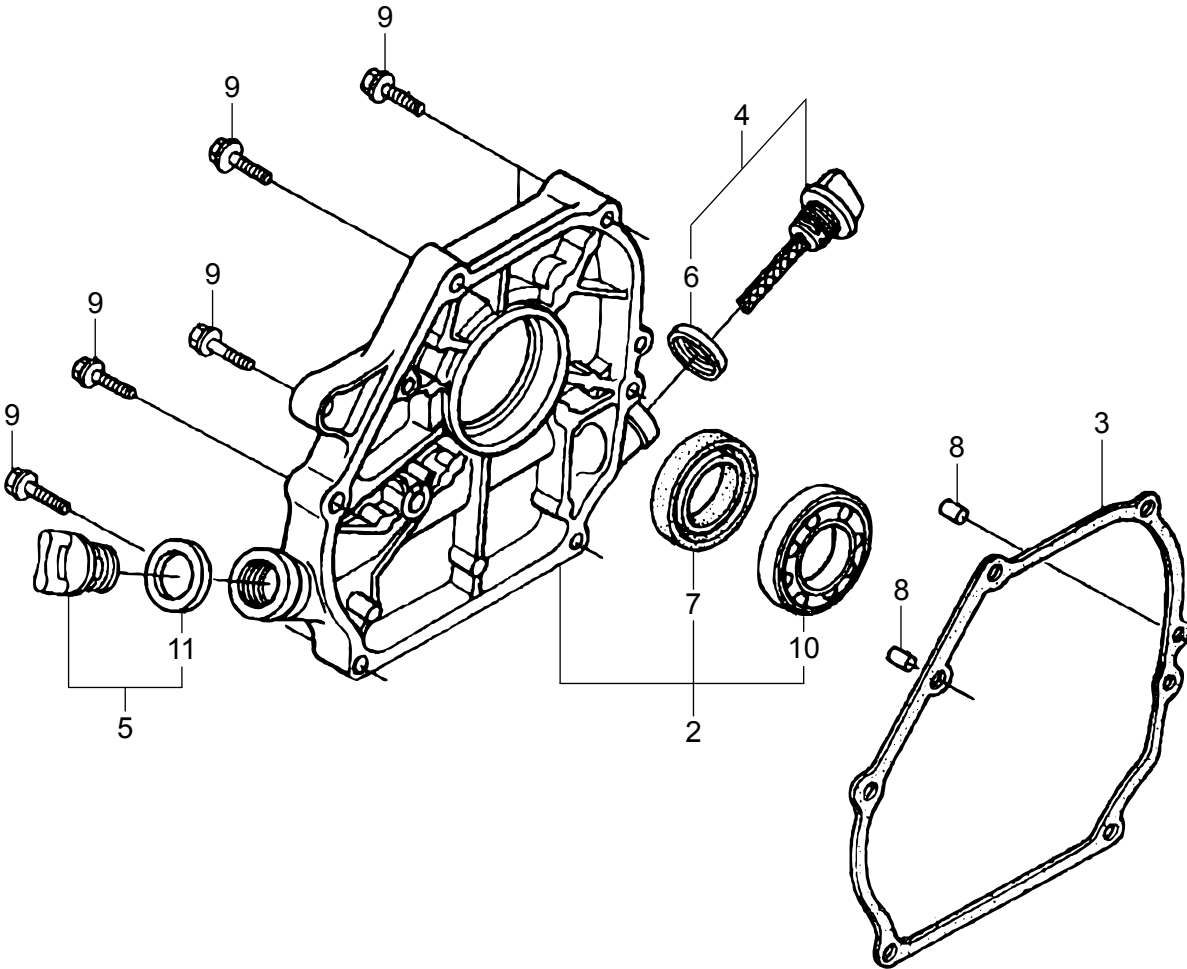
# HONDA GX120UT2SM12 ENGINE — CYL. BARREL ASSY.



## HONDA GX120UT2SM12 ENGINE — CYL. BARREL ASSY.

<u>NO.</u>	<u>PART NO.</u>	<u>PART NAME</u>	<u>QTY.</u>	<u>REMARKS</u>
1	12000Z0S416	BARREL, ASSY CYLINDER (OIL ALERT) .....	1.....	INCLUDES ITEMS W/\$
3	16510ZE1000	GOVERNOR ASSY.....	1.....	INCLUDES ITEMS W/%
4%	16511ZE1000	WEIGHT, GOVERNOR	2	
5%	16512ZE1000	HOLDER, GOVERNOR WEIGHT	1	
6%	16513ZE1000	PIN, GOVERNOR WEIGHT	2	
7	16531ZE1000	SLIDER, GOVERNOR	1	
8	16541ZE1000	SHAFT, GOVERNOR ARM	1	
9	90131ZE1000	BOLT, DRAIN PLUG	2	
10	90451ZE1000	THRUST WASHER 6MM	1	
11	90601ZE1000	WASHER, DRAIN PLUG	2	
12	90602ZE1000	CLIP, GOVERNOR HOLDER	1	
13\$	91001878003	BALL BEARING 6222	1	
14\$	91202ZE6013	OIL SEAL 22X35X6	1	
15\$	91353671003	O-RING 14MM.....	1.....	REPLACES P/N 91353671004
16	9405010000	FLANGE NUT M10	1	
17	58176	WASHER, FLAT 6MM.....	2.....	REPLACES P/N 9410106800
18	9425108000	PIN, LOCK 8MM	1	
19	957010601200	BOLT, FLANGE 6X12	2	
21	35480Z0T003	SWITCH ASSY., OIL LEVEL	1	

**HONDA GX120UT2SM12 ENGINE — CRANKCASE COVER ASSY.**



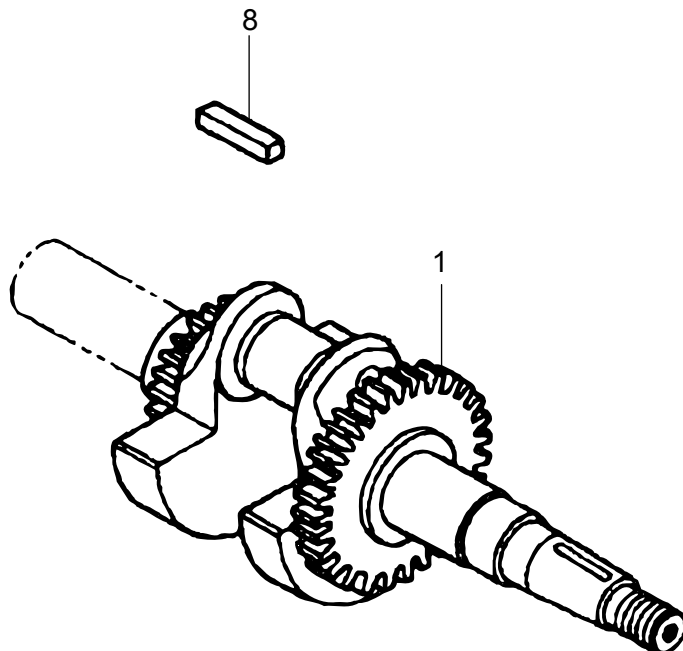
## HONDA GX120UT2SM12 ENGINE — CRANKCASE COVER ASSY.

---

<u>NO.</u>	<u>PART NO.</u>	<u>PART NAME</u>	<u>QTY.</u>	<u>REMARKS</u>
2	11300ZE0634	COVER, ASSY., CRANKCASE.....	1.....	INCLUDES ITEMS W/#
3	11381ZH7800	GASKET, CRANKCASE	1	
4	15600Z0T810	CAP ASSY., OIL FILLER .....	1.....	INCLUDES ITEMS W/\$
5	15600Z0T820	CAP ASSY., OIL FILLER .....	1.....	INCLUDES ITEMS W/%
6\$	15625Z0T800	PACKING, OIL FILLER CAP	1	
7#	91203ZE0013	OIL SEAL 22X41X6	1	
8	9430108140	KNOCK PIN 8X14	2	
9	90015883000	FLANGE BOLT 6X28	7	
10#	91001878003	BALL BEARING 6222.....	1.....	REPLACES P/N 961006205000
11%	15625Z0T800	PACKING, OIL FILLER CAP	1	

# HONDA GX120UT2SM12 ENGINE — CRANKSHAFT ASSY.

---

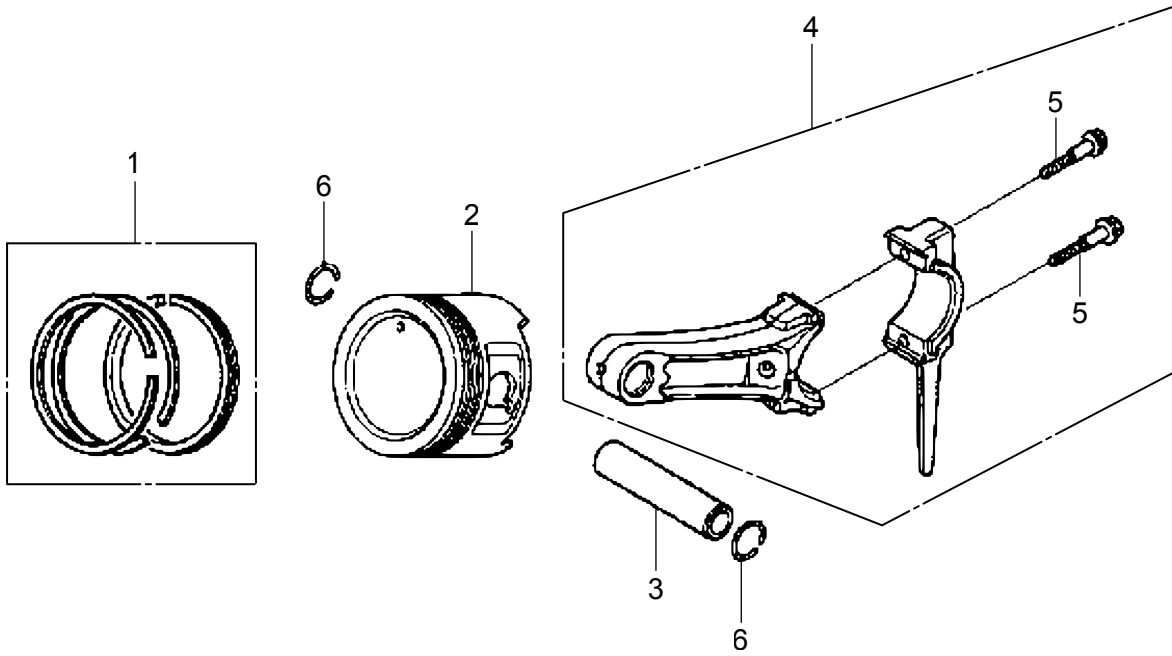


## HONDA GX120UT2SM12 ENGINE — CRANKSHAFT ASSY.

---

<u>NO.</u>	<u>PART NO.</u>	<u>PART NAME</u>	<u>QTY.</u>	<u>REMARKS</u>
1	13310Z0S880	CRANKSHAFT COMPLETE	1	
8	90741883810	KEY 5X5X33	1	

# HONDA GX120UT2SM12 ENGINE — PISTON ASSY.

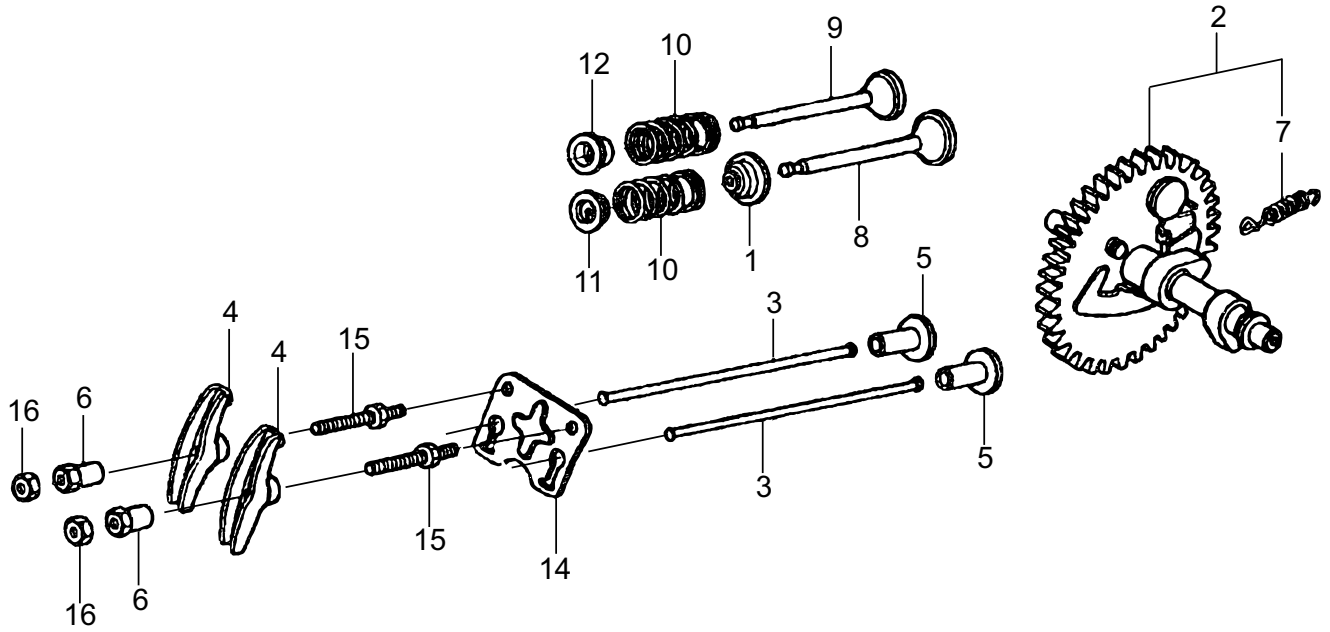


## HONDA GX120UT2SM12 ENGINE — PISTON ASSY.

---

<u>NO.</u>	<u>PART NO.</u>	<u>PART NAME</u>	<u>QTY.</u>	<u>REMARKS</u>
1	13010Z4F004	RING SET, PISTON (STD)	1	
1	13011Z4F004	RING SET, PISTON (0.25)	1	
1	13012Z4F004	RING SET, PISTON (0.50)	1	
1	13013Z4F004	RING SET, PISTON (0.75)	1	
2	13101ZH7020	PISTON (STD)	1	
2	13102ZH7020	PISTON (0.25)	1	
2	13103ZH7020	PISTON (0.50)	1	
2	13104ZH7020	PISTON (0.75)	1	
3	13111ZE0000	PIN, PISTON	1	
4	13200Z0S800	ROD ASSY., CONNECTING.....	1.....	INCLUDES ITEM W/\$
5\$	90001ZE1000	BOLT, CONNECTING ROD	2	
6	90551ZE0000	CLIP, PISTON PIN 13MM	2	

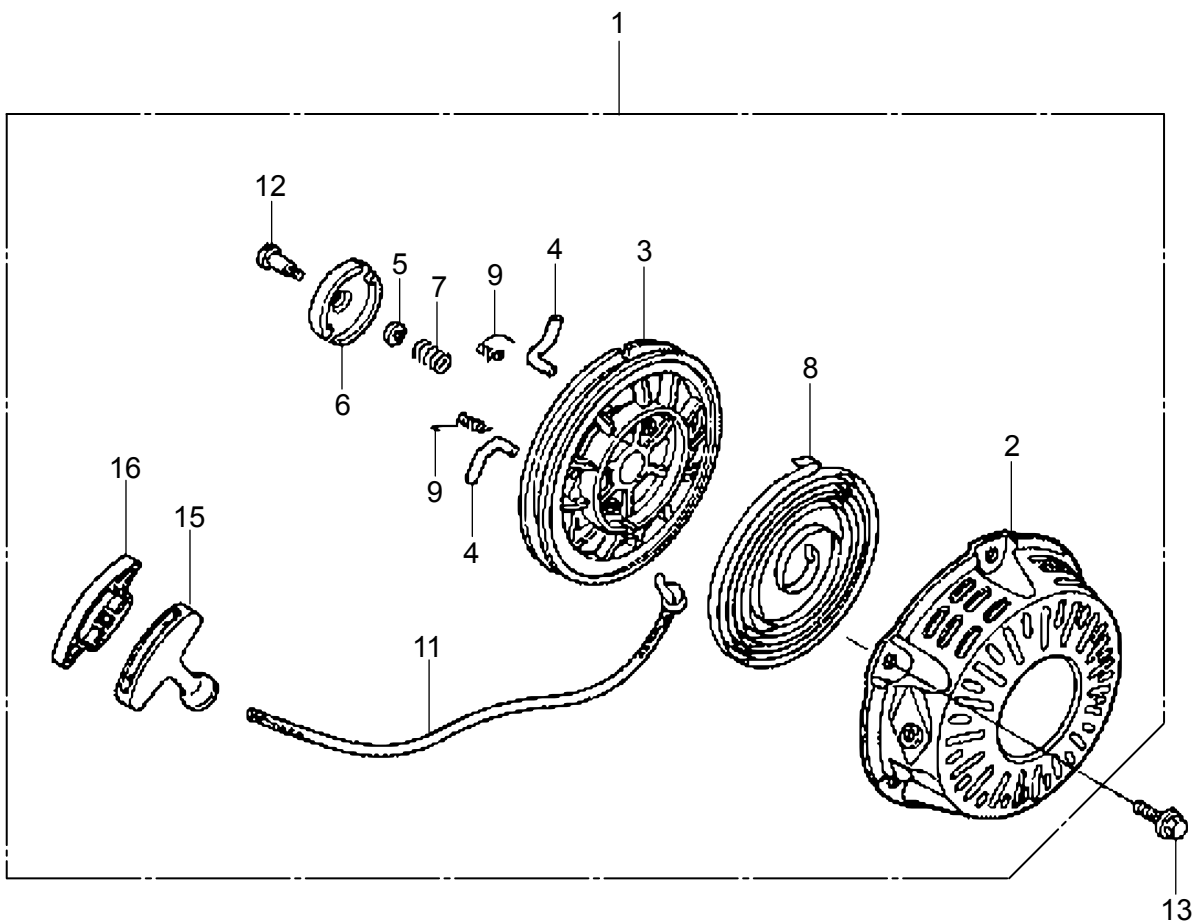
# HONDA GX120UT2SM12 ENGINE — CAMSHAFT ASSY.



## HONDA GX120UT2SM12 ENGINE — CAMSHAFT ASSY.

<u>NO.</u>	<u>PART NO.</u>	<u>PART NAME</u>	<u>QTY.</u>	<u>REMARKS</u>
1	12209Z4M801	SEAL, VALVE STEM	1	
2	14100ZE0812	CAMSHAFT ASSY.....	1	INCLUDES ITEM W/\$
3	14410ZE0010	ROD COMPLETE, PUSH	2	
4	14431ZE1000	ARM, VALVE ROCKER	2	
5	14441ZE1010	VALVE LIFTER	2	
6	14451ZE1013	PIVOT, ROCKER ARM	2	
7\$	14568ZE1000	SPRING, WEIGHT RETURN	1	
8	14711Z4H000	VALVE, INTAKE	1	
9	14721Z4H000	VALVE, EXHAUST	1	
10	14751ZF1000	SPRING, VALVE	2	
11	14771ZE1000	RETAINER, INTAKE VALVE	1	
12	14771ZE1000	RETAINER, EXHAUST VALVE	1	
14	14791ZE0010	PLATE, PUSH ROD GUIDE	1	
15	90012ZE0010	BOLT, PIVOT, 8MM	2	
16	90206ZE1000	NUT, PIVOT ADJUSTING	2	

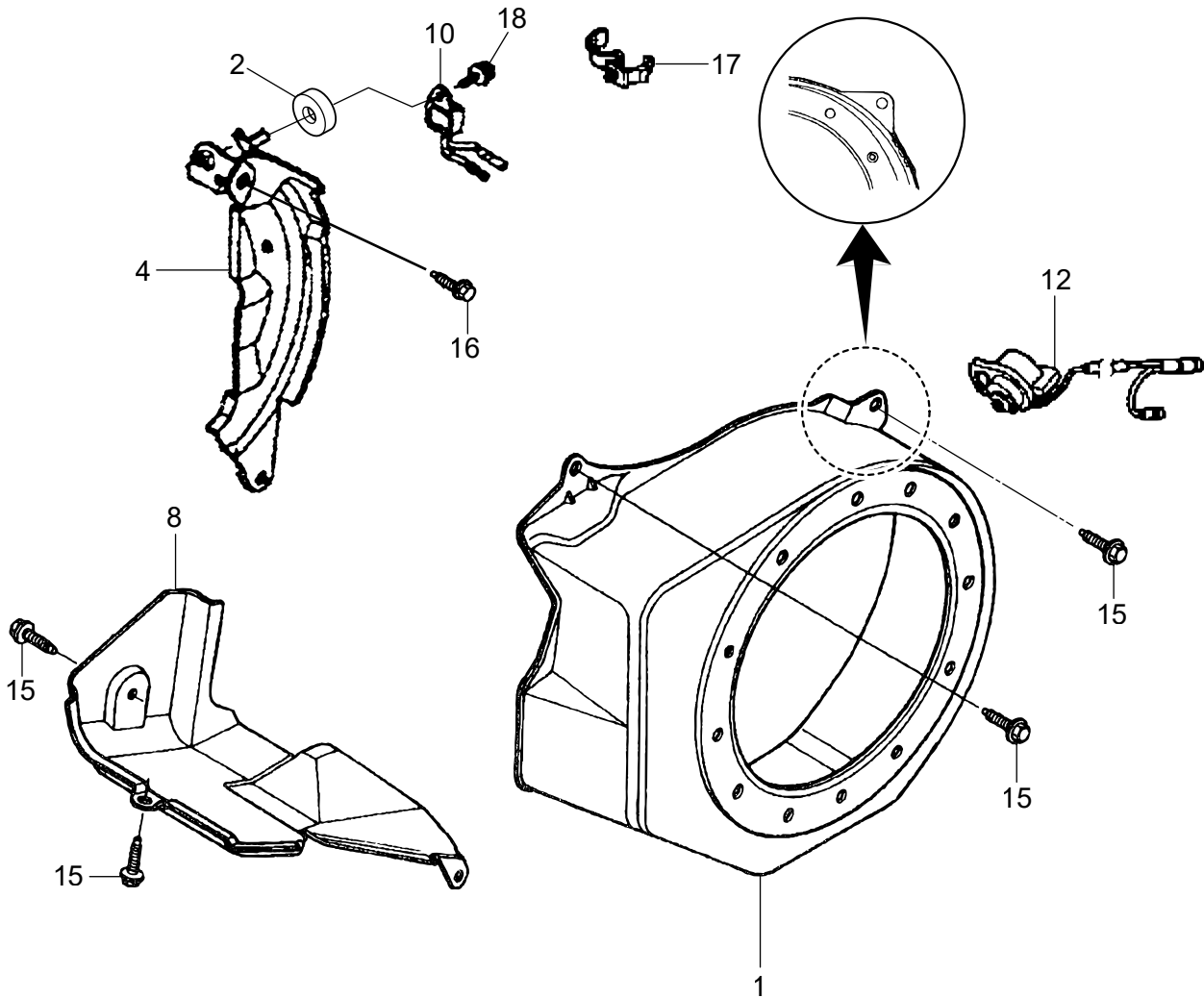
# HONDA GX120UT2SM12 ENGINE — RECOIL STARTER ASSY.



## HONDA GX120UT2SM12 ENGINE — RECOIL STARTER ASSY.

<u>NO.</u>	<u>PART NO.</u>	<u>PART NAME</u>	<u>QTY.</u>	<u>REMARKS</u>
1	28400Z4M305ZD	STARTER ASSY., RECOIL .....	1.....	INCLUDES ITEMS W/\$
2\$	28410Z4M003ZD	CASE COMPLETE, RECOIL STARTER	1	
3\$	28421Z0T003	REEL, RECOIL STARTER	1	
4\$	28422ZH8801	RATCHET, STARTER	2	
5\$	28431ZH8801	PLATE, FRICTION	1	
6\$	28433ZH8801	RATCHET GUIDE	1	
7\$	28441ZH8801	FRICTION SPRING	1	
8\$	28442ZH8003	SPRING, RECOIL STARTER	1	
9\$	28443ZH8801	SPRING, RETURN	2	
11\$	28462ZH8003	ROPE, RECOIL STARTER	1	
12\$	90003ZH8801	SET SCREW	1	
13	90008ZE2003	BOLT, FLANGE 6X10	3	
15\$	28461Z4M305	KNOB, RECOIL STARTER	1	
16\$	28463Z4M003	KNOB, REINFORCEMENT	1	

# HONDA GX120UT2SM12 ENGINE — FAN COVER ASSY.



## HONDA GX120UT2SM12 ENGINE — FAN COVER ASSY.

---

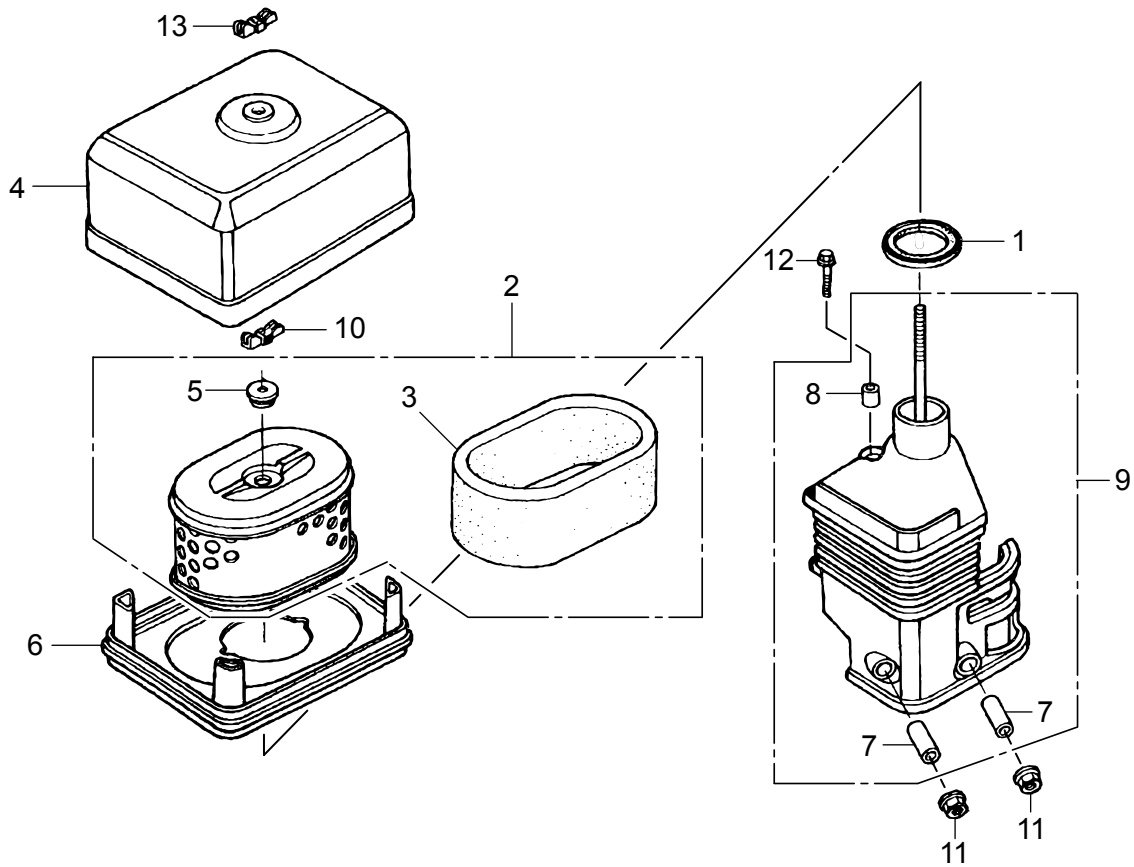
<u>NO.</u>	<u>PART NO.</u>	<u>PART NAME</u>	<u>QTY.</u>	<u>REMARKS</u>
1	19610ZE0000ZE	COVER COMPLETE, FAN BLACK	1	
2	11347371300	GROMMET	1	
4	19611ZH7810	PLATE COMPLETE, SIDE (OIL ALERT)	1	
8	19630ZH7000	SHROUD COMPLETE	1	
10	34150ZH7023	ALERT UNIT, OIL	1	
12	35120Z0T851	SWITCH ASSY., E/G STOP	1	
15	90013883000	FLANGE BOLT 6X12	6	
16	90022888010	FLANGE BOLT 6X20	1	
17	90601ZH7013	CLIP, HARNESS	1	
18	957010600800	FLANGE BOLT 6X8	1	



# HONDA GX120UT2SM12 ENGINE — CARBURETOR ASSY.

<u>NO.</u>	<u>PART NO.</u>	<u>PART NAME</u>	<u>QTY.</u>	<u>REMARKS</u>
1#%	16010ZE1812	GASKET SET	1	INCLUDES ITEMS W/@
2#	16011ZE0005	FLOAT VALVE SET	1	
3#	16013Z0SB01	FLOAT SET	1	
4@#	16015Z4M911	CHAMBER SET, FLOAT .....	1	INCLUDES ITEM W/%, &
6#	16016ZH7W01	SCREW SET, PILOT	1	
7@#&	16024Z5T901	SCREW SET, DRAIN .....	1	INCLUDES ITEM W/%
8@#	16028Z5T901	SCREW SET .....	1	INCLUDES ITEM W/%
9#	16044ZE0005	CHOKE SET	1	
10	16100Z4H921	CARBURETOR ASSY.....	1	INCLUDES ITEMS W/#
11#	16124ZE0005	SCREW, THROTTLE STOP	1	
12#	16166ZK7S91	NOZZLE, MAIN	1	
13@#	16075GHBB00	O-RING.....	1	INCLUDES ITEM W/%
				REPLACES P/N 16955283000
14	16211ZE0000	INSULATOR, CARBURETOR	1	
15	16212ZH7800	PACKING, INSULATOR	1	
16	16220ZE1020	SPACER COMPLETE, CARBURETOR	1	
17	16221ZH8801	PACKING, CARBURETOR	1	
18	16610ZE1000	CHOKE LEVER COMPLETE .....	1	INCLUDES ITEM W/\$
20#	16953ZE1812	LEVER, COCK	1	
21#	16954ZE1812	PLATE, LEVER SETTING	1	
22#	16956ZE1811	SPRING, COCK LEVER	1	
23@#	16957ZE1812	PACKING, FUEL COCK .....	1	INCLUDES ITEM W/%
24#	16967ZE0811	CUP, FUEL STRAINER	1	
25#	93500030060H	SCREW 3X6	2	
26\$	9430520122	SPRING PIN 2X12	1	
29#	99101ZK70600	MAIN JET #60	1	
30@#	99204ZE00350	PILOT, JET SET #35 .....	1	INCLUDES ITEM W/%
43#	16959Z5T901	FILTER, CUP	1	

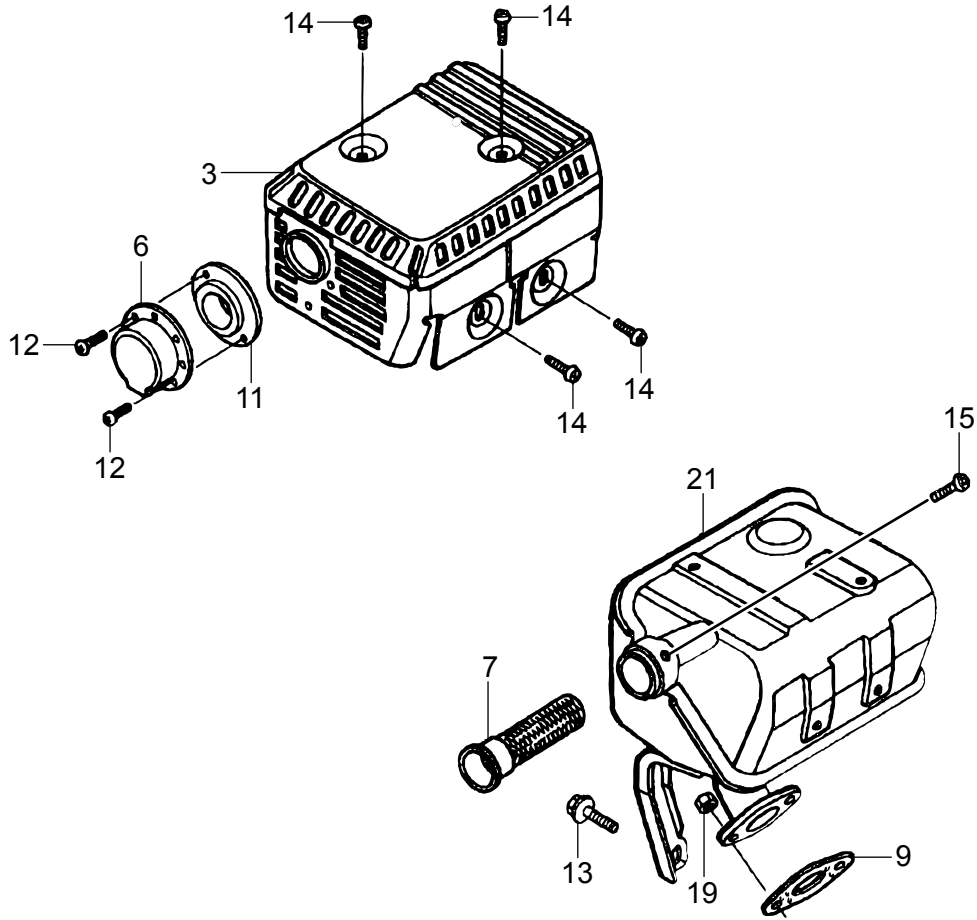
# HONDA GX120UT2SM12 ENGINE — AIR CLEANER ASSY.



## HONDA GX120UT2SM12 ENGINE— AIR CLEANER ASSY.

<u>NO.</u>	<u>PART NO.</u>	<u>PART NAME</u>	<u>QTY.</u>	<u>REMARKS</u>
1	16271ZE1000	PACKING, ELBOW	1	
2	17210ZE0505	ELEMENT, AIR CLEANER .....	1.....	INCLUDES ITEMS W/#
3#	17218ZE0505	OUTER ELEMENT	1	
4	17231Z4H820	COVER, AIR CLEANER	1	
5#	17232891000	GROMMET, AIR CLEANER	1	
6	17235Z4M830	NOSE, SILENCER	1	
7%	17238ZE7010	COLLAR, AIR CLEANER	2	
8%	17239ZE1000	COLLAR (B), AIR CLEANER	1	
9	17410Z4H000	ELBOW COMPLETE, AIR CLEANER .....	1.....	INCLUDES ITEMS W/%
10	90325044000	NUT, TOOL BOX SETTING	1	
11	9405006000	FLANGE NUT 6MM	2	
12	957010602000	FLANGE BOLT 6X20	1	
13	90300Z1V000	NUT, AIR CLEANER	1	

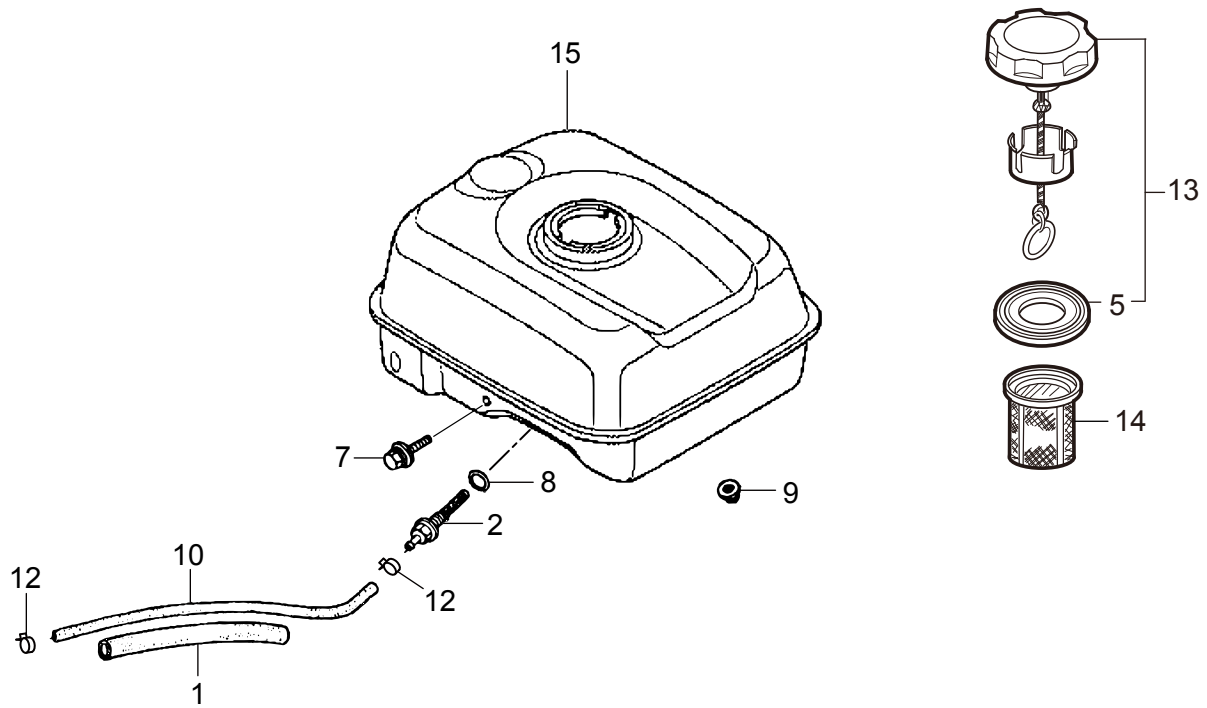
# HONDA GX120UT2SM12 ENGINE — MUFFLER ASSY.



## HONDA GX120UT2SM12 ENGINE — MUFFLER ASSY.

<u>NO.</u>	<u>PART NO.</u>	<u>PART NAME</u>	<u>QTY.</u>	<u>REMARKS</u>
3	18320Z4M000	PROTECTOR COMPL., MUFFLER (STD)	1	
6	18340ZE1010	DEFLECTOR COMPLETE	1	
7	18355ZE1000	ARRESTER, SPARK	1	
9	18381Z0T801	GASKET, MUFFLER	1	
11	18522ZE1000	GUIDE, MUFFLER	1	
12	90002Z0T800	SCREW, TAPPING, 4X8	2	
13	90016ZE1000	FLANGE BOLT 6X13	1	
14	90050ZE1000	SCREW, TAPPING, 5X8	4	
15	90055ZE1000	SCREW, TAPPING, 4X6	1	
19	020108060	NUT 8MM.....	2	REPLACES P/N 94001080000S
21	18310Z4MV51	MUFFLER COMPLETE	1	

# HONDA GX120UT2SM12 ENGINE — FUEL TANK ASSY.

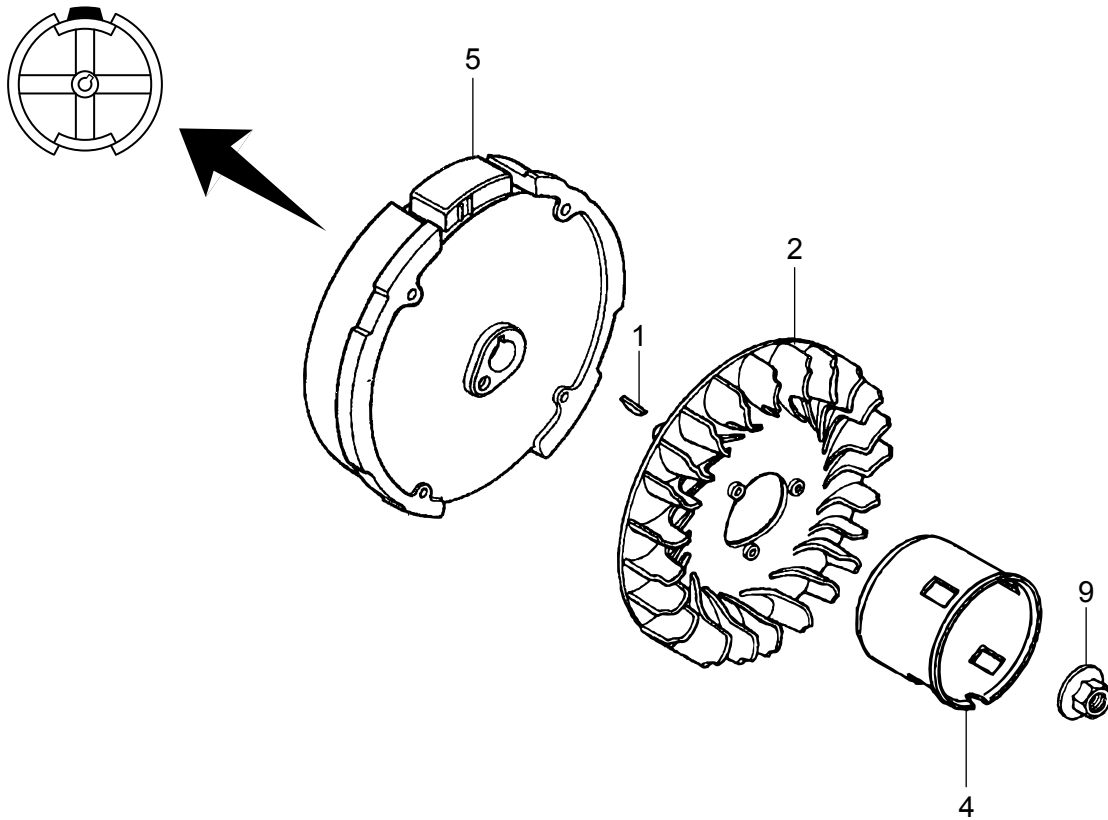


## HONDA GX120UT2SM12 ENGINE — FUEL TANK ASSY.

<u>NO.</u>	<u>PART NO.</u>	<u>PART NAME</u>	<u>QTY.</u>	<u>REMARKS</u>
1	16854ZH8000	RUBBER, SUPPORT (107MM)	1	
2	16955ZE1010	JOINT, FUEL TANK	1	
5%	17631Z0T801	PACKING, FUEL FILLER CAP	1	
7	90004ZH7003	FLANGE BOLT, 6X29	1	
8	91353671003	O-RING, 14MM.....	1.....	REPLACES P/N 91353671004
9	9405006000	FLANGE NUT, 6MM	2	
10	91424Z4F802	TUBE, FUEL 4.5X140	1	
12	950024080008	CLAMP, TUBE (D8)	2	
13	17620Z4H900	CAP COMPLETE, FUEL TANK.....	1.....	INCLUDES ITEM W/% REPLACES P/N 17620Z4H030
14	17672Z4H000	FUEL FILTER, FUEL TANK	1	
15	17510Z4H000ZB	FUEL TANK COMPLETE, NH1, BLK	1	

# HONDA GX120UT2SM12 ENGINE— FLYWHEEL ASSY.

---



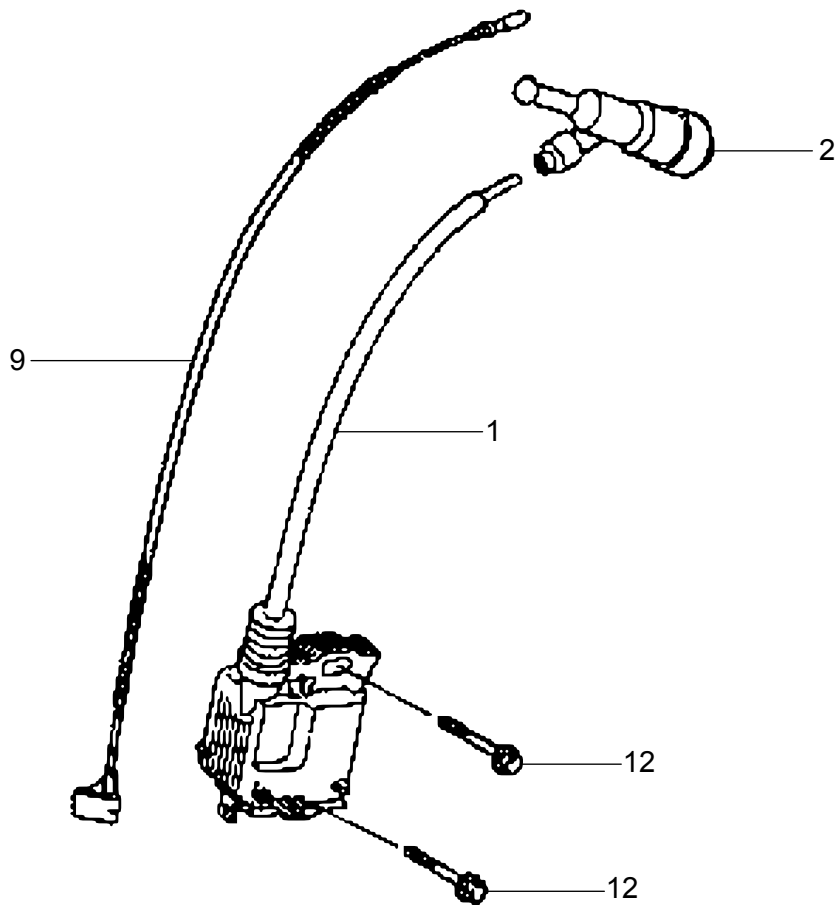
## HONDA GX120UT2SM12 ENGINE — FLYWHEEL ASSY.

---

<u>NO.</u>	<u>PART NO.</u>	<u>PART NAME</u>	<u>QTY.</u>	<u>REMARKS</u>
1	13331357000	WOODRUFF KEY 25X18	1	
2	19511ZE0000	COOLING FAN	1	
4	28451ZH7801	STARTER, PULLEY	1	
5	31100ZE0020	FLYWHEEL COMPLETE	1	
9	90201Z0T800	NUT, SPECIAL 14MM	1	

# HONDA GX120UT2SM12 ENGINE— IGNITION COIL ASSY.

---

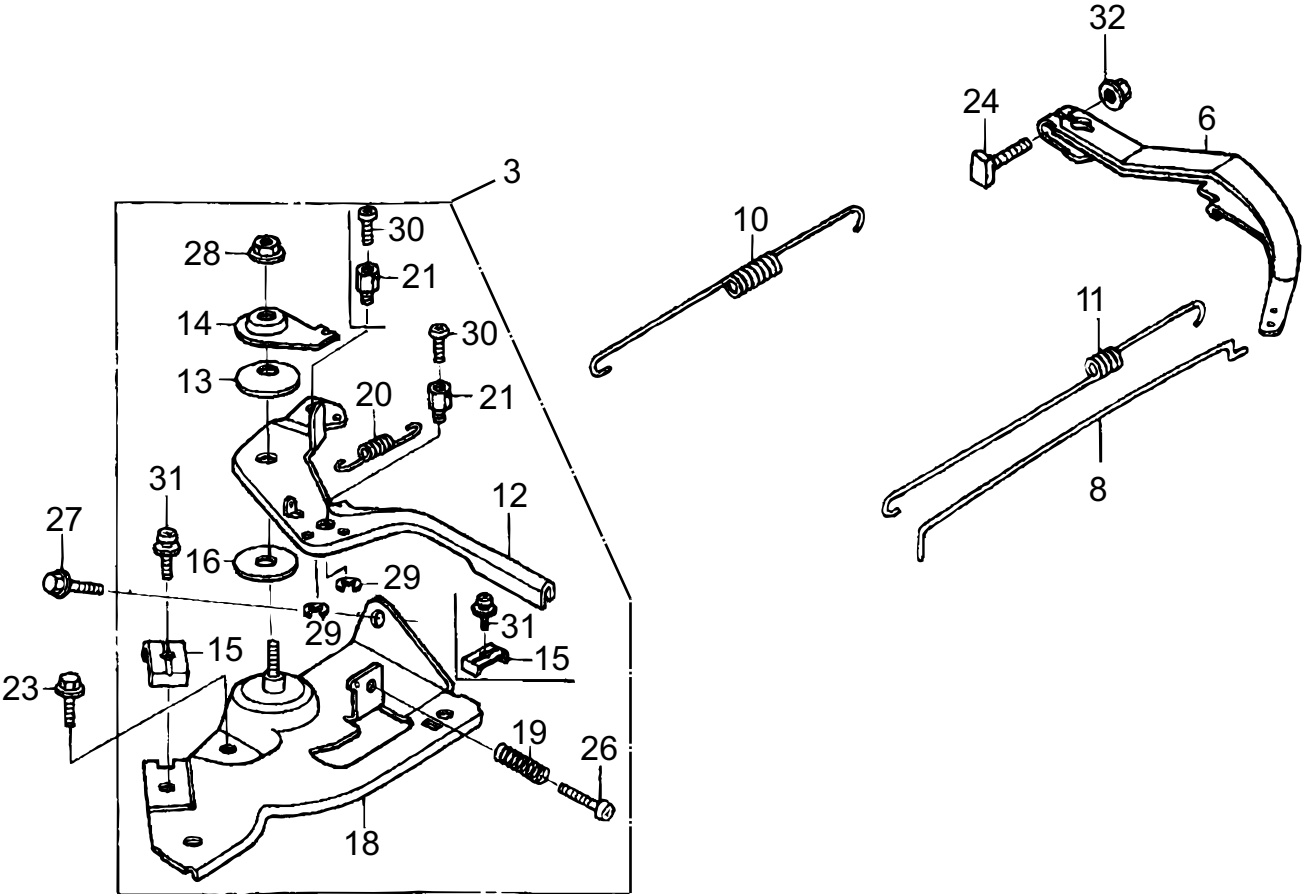


# HONDA GX120UT2SM12 ENGINE— IGNITION COIL ASSY.

---

<u>NO.</u>	<u>PART NO.</u>	<u>PART NAME</u>	<u>QTY.</u>	<u>REMARKS</u>
1	30500Z0T802	COIL ASSY., IGNITION	1	
2	30700Z0T811	CAP ASSY., NOISE SUPPRESSOR	1	
9	36101ZE1010	CORD, STOP SWITCH 370MM	1	
12	957010602500	FLANGE BOLT 6X25 .....	2.....	REPLACES P/N 90121952000

**HONDA GX120UT2SM12 ENGINE— CONTROL ASSY.**

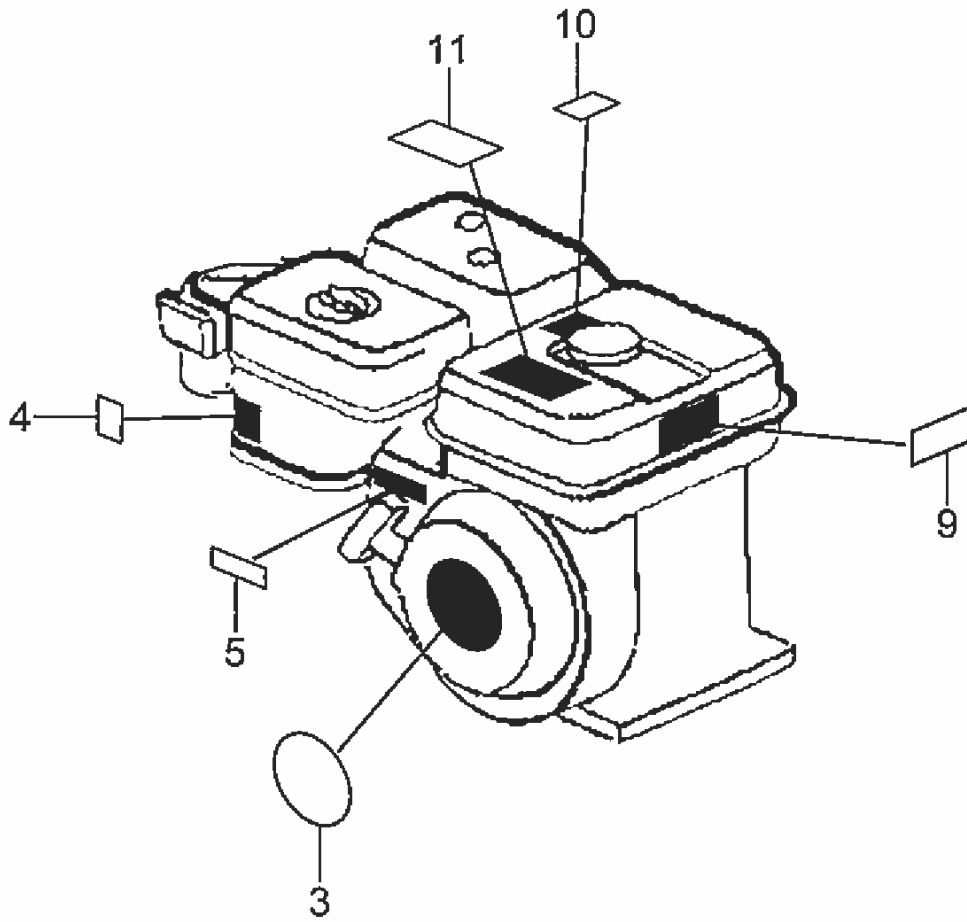


## HONDA GX120UT2SM12 ENGINE— CONTROL ASSY.

<u>NO.</u>	<u>PART NO.</u>	<u>PART NAME</u>	<u>QTY.</u>	<u>REMARKS</u>
3	16500Z4HU50	CONTROL ASSY.....	1.....	INCLUDES ITEMS W/#
6	16551ZE0010	ARM, GOVERNOR	1	
8	16555ZE0000	ROD, GOVERNOR	1	
10	16561ZE0030	SPRING, GOVERNOR	1	
11	16562ZE0020	SPRING, THROTTLE RETURN	1	
12#	16571Z4H000	LEVER, CONTROL	1	
13#	16574ZE1000	SPRING, LEVER	1	
14#	16575ZH8000	WASHER, CONTROL LEVER	1	
15#	16576891000	HOLDER, CABLE	2	
16#	16578ZE1000	SPACER, CONTROL LEVER	1	
18#	16580Z4H810	BASE CONTROL	1	
19#	16584883300	SPRING, CONTROL ADJUSTING	1	
20#	16592ZE1810	SPRING, CABLE RETURN	1	
21#	16594883010	HOLDER, WIRE	2	
23	90013883000	BOLT, FLANGE 6X12	1	
24	90015ZE5010	BOLT, GOVERNOR ARM	1	
26#	93500050250H	SCREW, PAN 5X25	1	
27	90022888010	BOLT, FLANGE 6X20	1	
28#	90114SA0000	NUT, SELF-LOCK 6MM	1	
29#	90605230000	CIRCLIP, 5 MM	2	
30#	0043504060	SCREW 4X6 .....	2.....	REPLACES P/N 93500040060H
31#	0202005T125	SCREW, PAN 5X16 .....	2.....	REPLACES P/N 93500050160A
32	9405006000	NUT, FLANGE 6MM	1	

# HONDA GX120UT2SM12 ENGINE— DECALS ASSY.

---



## HONDA GX120UT2SM12 ENGINE— DECALS ASSY.

---

<u>NO.</u>	<u>PART NO.</u>	<u>PART NAME</u>	<u>QTY.</u>	<u>REMARKS</u>
3	87521Z4H000	EMBLEM (GX120UT)	1	
4	87528Z4M000	MARK, CHOKE	1	
5	87532ZH7000	MARK, THROTTLE INDICATION	1	
9	87516Z4H010	MARK, OP CAUTION (ENGLISH)	1	
10	87539Z4M000	MARK, EX. CAUTION (ENGLISH)	1	
11	87539Z4M800	MARK, EX. CAUTION (PICTOGRAPH)	1	