



HOMEOWNER'S CARE AND OPERATION INSTRUCTIONS

STANDARD SERIES



36" B-VENTED GAS APPLIANCES
P/N 725,008M REV. F 05/2004

MODELS

Millivolt Models

B-40RMN

B-40RMP

Electronic Models

B-40REN

B-40REP

RETAIN THESE INSTRUCTIONS
FOR FUTURE REFERENCE



WH Report No. J20006722

WARNING: IF THE INFORMATION IN THIS MANUAL IS NOT FOLLOWED EXACTLY, A FIRE OR EXPLOSION MAY RESULT CAUSING PROPERTY DAMAGE, PERSONAL INJURY OR LOSS OF LIFE.

FOR YOUR SAFETY: Do not store or use gasoline or other flammable vapors or liquids in the vicinity of this or any other appliance.

FOR YOUR SAFETY: What to do if you smell gas:

- DO NOT light any appliance.
- DO NOT touch any electrical switches.
- DO NOT use any phone in your building.
- Immediately call your gas supplier from a neighbor's phone.

Follow your gas suppliers instructions.

- If your gas supplier cannot be reached, call the fire department.

Installation and service must be performed by a qualified installer, service agency or the gas supplier.

AVERTISSEMENT: ASSUREZ-VOUS DE BIEN SUIVRE LES INSTRUCTIONS DONNÉ DANS CETTE NOTICE POUR RÉDUIRE AU MINIMUM LE RISQUE D'INCENDIE OU POUR ÉVITER TOUT DOMMAGE MATÉRIEL, TOUTE BLESSURE OU LA MORT.

POUR VOTRE SÉCURITÉ: Ne pas entreposer ni utiliser d'essence ni d'autre vapeurs ou liquides inflammables dans le voisinage de cet appareil ou de tout autre appareil.

POUR VOTRE SÉCURITÉ: Que faire si vous sentez une odeur de gaz:

- Ne pas tenter d'allumer d'appareil.
- Ne touchez à aucun interrupteur. Ne pas vous servir des téléphones se trouvant dans le bâtiment où vous vous trouvez.
- Evacuez la pièce, le bâtiment ou la zone.
- Appelez immédiatement votre fournisseur de gaz depuis un voisin. Suivez les instructions du fournisseur.
- Si vous ne pouvez rejoindre le fournisseur de gaz, appelez le service des incendies.

L'installation et service doit être exécuté par un qualifié installateur, agence de service ou le fournisseur de gaz.

REPLACEMENT PARTS LIST

No.	DESCRIPTION	Natural		Propane	
		Part No.	Qty.	Part No.	Qty.
	Gas Fireplace Assembly	–	–	–	–
1.	Firescreen	161116	2	161116	2
2.	Rod, Screen	498169	2	498169	2
3.	Front Log	LB-97316A	1	LB-97316A	1
4.	Rear Log	LB-97317A	1	LB-97317A	1
5.	Burner	75L1101	1	75L1101	1
6.	Log Grate	LB-97307	1	LB-97307	1
7.	Burner Orifice	21L8201	1	75L1001	1
8.	Limit Switch	75L2301	1	75L2301	1

GAS CONTROLS — MILLIVOLT

No.	DESCRIPTION	Natural		Propane	
		Part No.	Qty.	Part No.	Qty.
*10.	Gas Valve - SIT	H165801	1	H165901	1
*11.	Gas Valve - Honeywell	62L0501	1	62L0501	1
12.	Pilot Assembly (SIT)	62L1201	1	62L1301	1
13.	Pilot Generator	60J7901	1	60J7901	1
14.	Electrode And Cable	74L5801	1	74L5801	1
**15.	Piezo Igniter	111061	1	111061	1
**16.	Ignition Cable	902164	1	902164	1
17.	Pilot Tube	74L5601	1	74L5601	1

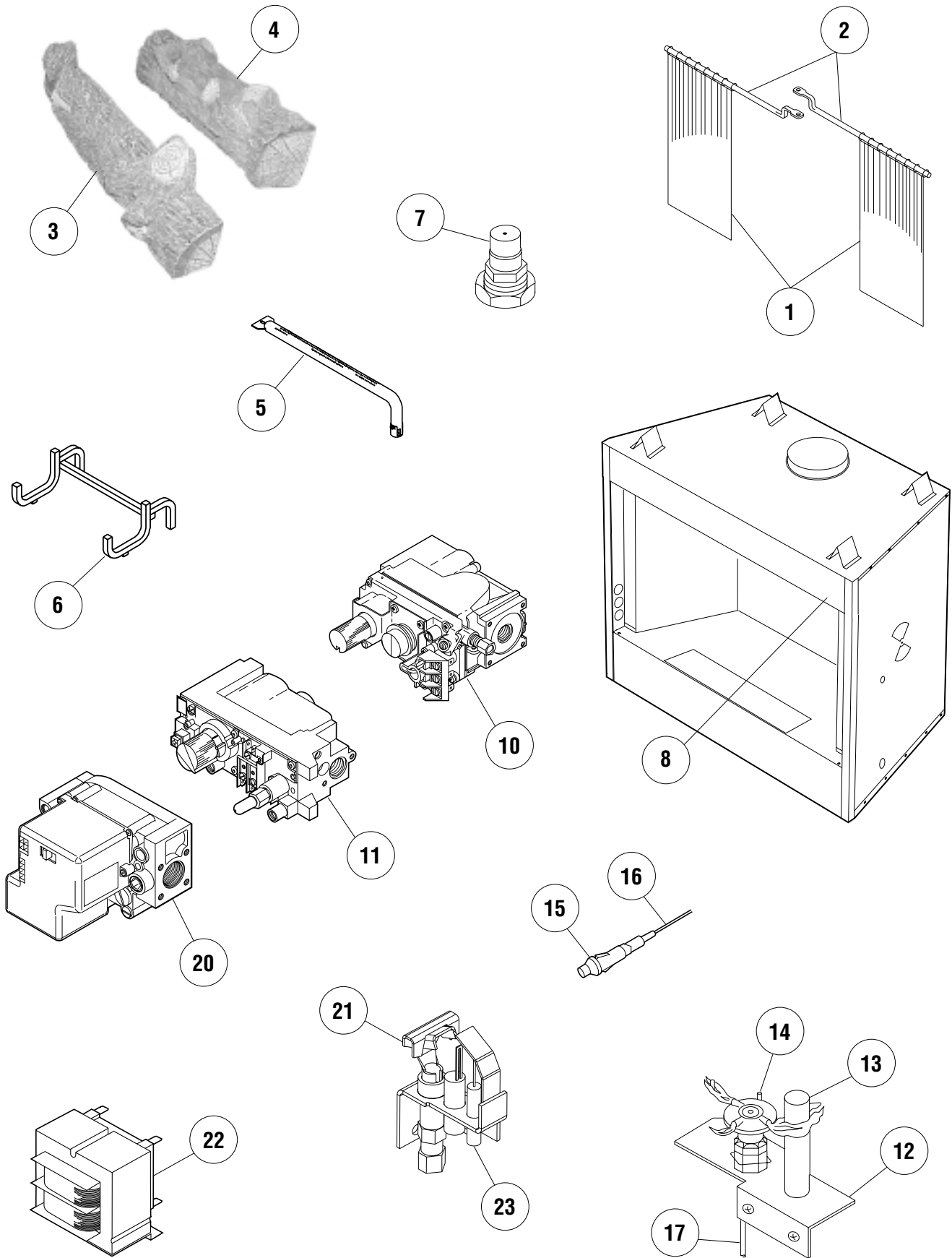
*Appliances may be fitted at the factory with either a Honeywell or SIT Millivolt gas control valve.

**For SIT gas valve equipped appliances only.

GAS CONTROLS — ELECTRONIC

No.	DESCRIPTION	Natural		Propane	
		Part No.	Qty.	Part No.	Qty.
20.	Gas Valve - Honeywell	62L1801	1	62L1901	1
21.	Pilot Assembly - Honeywell	62L1401	1	62L1501	1
22.	Transformer	42J3201	1	42J3201	1
23.	Ignitor Assembly (Kit)	87L54	1	87L54	1

REPLACEMENT PARTS



NOTE: DIAGRAMS & ILLUSTRATIONS NOT TO SCALE.

ACCESSORY COMPONENTS



Remote Control System (Standard) H0249 RCL

Standard Remote Control System (Model RCL)

The Model RCL (Standard) Remote Control System, features a simplistic on/off control function for the fireplace. This model includes a hand-held transmitter, a remote receiver with wall-mount coverplate and all hardware required to install the unit. The remote receiver can be wall or hearth mounted.

The transmitter has ON and OFF functions that are activated by pressing either button on the face of the transmitter. When a button on the transmitter is pressed, a signal light illuminates briefly to verify that a signal has been sent.

The Model RCL is designed to operate with all millivolt ignition systems, as well as electronic ignition systems. It may be installed with use for either natural or propane gas appliances. The RCL offers ease of installation and allows you to execute on-off commands to the fireplace effortlessly with one simple motion.

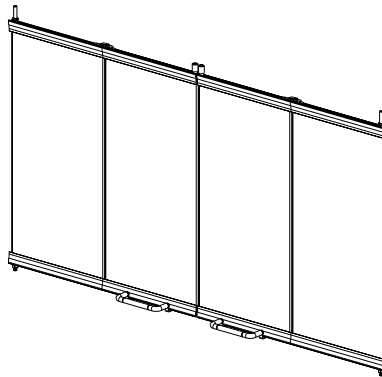
The Model RCL comes complete with detailed operating instructions.



Touch-Up Paint Kit 81L30 FTPK-B

Touch-Up Paint Kit

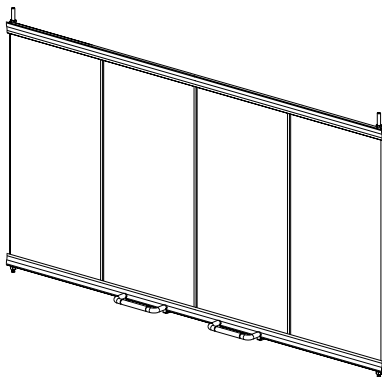
Repair of minor scratches and discoloration of the appliance black painted surfaces may be accomplished with the touch-up paint kit.



Bi-Fold Doors

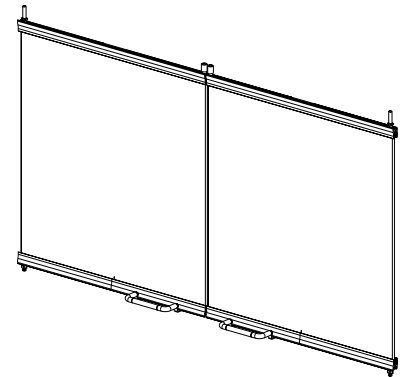
Bi-Fold Doors

Your fireplace can be fitted with beautiful bi-fold doors. Model ABF doors are available for use with these fireplace. Doors are easily fitted to the fireplace opening. Model 36 ABF doors come with standard black finish. Model 36 ABF-BB doors have a beautiful bright brass finish. Model 36 ABF-BS doors have a brushed stainless finish.



Glass Enclosure Panels 27M30 36GEP
27M31 36GEP-BB

Your fireplace can be fitted with beautiful glass enclosure panels with a bi-fold "look" (non-operable doors once installed). Model 36GEP is finished in black trim; model 36GEP-BB is finished in polished brass trim.



Twin Pane Doors 86L29 36 TPA-BB

Twin Pane Doors

Your fireplace can be fitted with beautiful twin pane doors. Model TPA doors are available for use with these fireplace. Model TPA doors are easily fitted to the fireplace opening. Model 36 TPA-BB doors have a beautiful bright brass finish.

To ensure warranty and to prevent a potential fire hazard, do not use any other doors on these appliances.



Decorative Volcanic Stone 80L42 FDVS

Decorative Volcanic Stone

The decorative volcanic stone, Model FDVS, can be used to enhance the look of your appliance. Spread the decorative volcanic stone evenly around the bottom of the firebox.