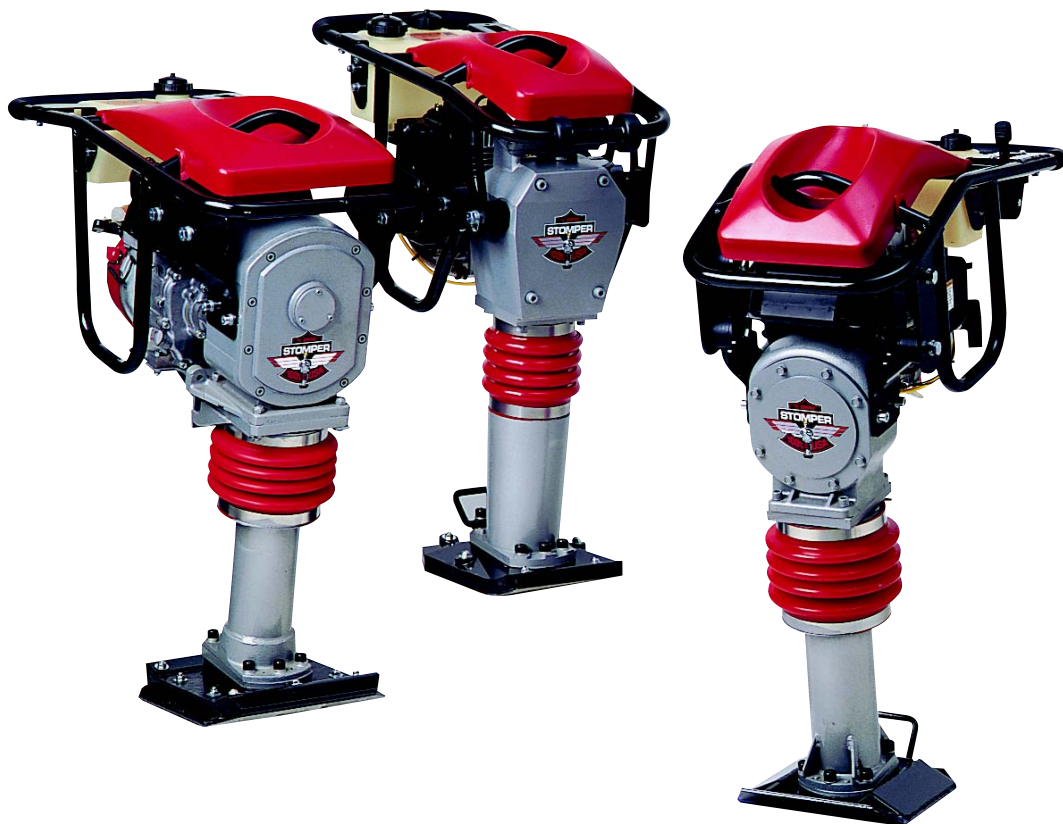




# OPERATOR/SERVICE MANUAL

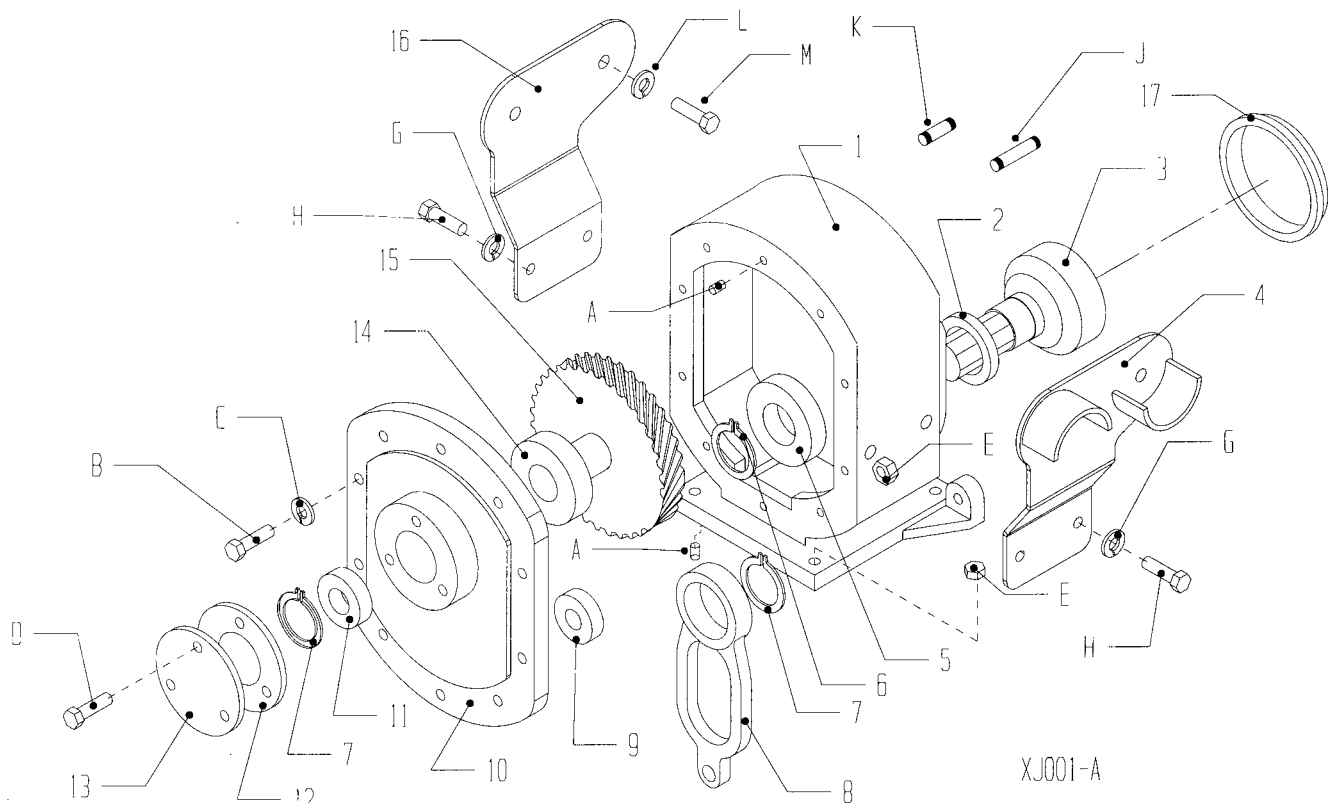
MODEL: XN650R, XN650ROI, XT728R,  
XT728ROI, XM832R, XM832ROI,  
XJ834HG, XD836Y



STOMPER® - 2 Cycle Oil Injected and Pre-Mix,  
4 Cycle and Diesel

A 100% employee-owned American manufacturer

## 8.6 Gearcase - XJ 4 Cycle



## 8.6 Gearcase - XJ 4 Cycle

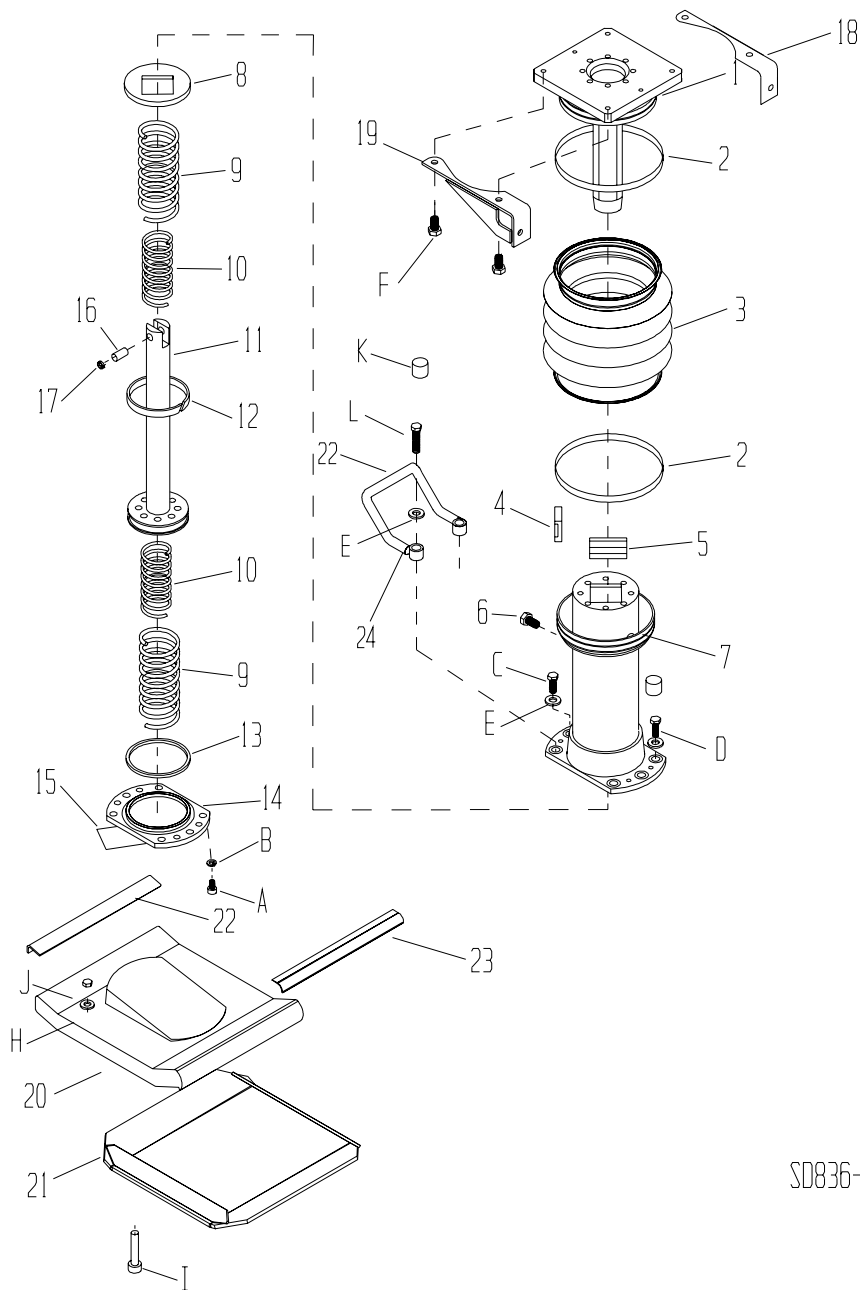
Item	Part No.	Description	Qty.
1	65072-2	Gearcase Machined Diesel	1
2	39224	Shaft Seal	1
3	39472	Clutch Shaft Weld 14T	1
4	39484-2	Bracket Handle Weldment Left	1
5	32177	Ball Bearing 6208-2RS	1
6	32305	Ring Ext Retaining 1.57	1
7	30191	Ring External 63/64	2
8	43177	Conn Rod Assembly Machined	1
9	32023	Ball Bearing .787	1
10	65073	Gearcase Cover	1
10A#	23039	Gearcase Cover Assembly	1
11	32212	Bearing 205	1
12	30189	Gasket Speed Cover	1
13	65029-2	Speed Cover	1
14	32214	Bearing 1.378	1
15	43179	Weldment Crank Gear 70T	1
16	39467-2	Bracket Handle Right	1
17	39475	Adapter Ring	1

Item	Part No.	Description	Qty.	DIN
A	80002	PINDL 1/4 x 5/8 PLN	4	-
B*	80810	SHCS M8 - 1.25 x 20 8.8 ZN	8	912
C	80812	WSHRL M8 Split ZN	10	27B
D*	80821	SHCS M5 - .8 x 16 8.8 ZN	3	912
E	80833	NUTNY M10 - 1.5 AN	4	985
G	80804	WSHRL M10 Split ZN	4	127B
H*	80886	SHCS M10 - 1.5 x 20 8.8 ZN	4	912
J	80937	STUD M10 - 1.5 x 102 8.8 ZN	1	-
K	80902	STUD M10 - 1.5 x 60 8.8 ZN	3	939FO
L	80805	WSHRL M12 Split ZN	4	127B
M	80808	HHCS M12 - 1.75 x 20 8.8 ZN	4	912

\* Loctite Required

# PN 23039-2 includes 7, 9 - 13

## 8.10 Lower Unit- XD Diesel & XJ 4 Cycle



SD836-2D



**THE SPRING RETAINING BASE PLATE RETAINS HEAVY SPRINGS UNDER COMPRESSION. FOLLOW THE INSTRUCTIONS (BASE PLATE REMOVAL LOCATED ON PAGE 53 OF THIS MANUAL) CAREFULLY OR SEVERE PERSONAL INJURY MAY OCCUR.**

## 8.10 Lower Unit- XD Diesel & XJ 4 Cycle

Item	Part No.	Description	Qty.	
1	65032-2	Guide Tube Weld	1	
2	44106	Clamp Boot	2	
3	47361	Boot Urethane	1	
4	27938	Bushing Short Square Guide	2	
5	27939	Bushing Long Square Guide	2	
6	34096	Oil Sight Plug	1	
7	65069-2	Spring Housing Diesel	1	
8	42318	Spring Spacer Cast	1	
9	42661	Blue/Blue Spring Outer	2	
10	42662	Blue/Yellow Spring Inner	2	
11	43181	Weldment Diesel Piston	1	
12	28694	Ring Piston	1	
13	32033	O-Ring 01-242 All	1	
14	65065	Shoe Plate Diesel	1	
15	55026	Decal Warning Spring	1	
16	80423	Con Rod Pin .5 x 1.25 P	1	
17	80519	Ring Internal 1/2 PLN	1	
18	65067-2	Weldment Support Guide Right	1	
19	65066-2	Weldment Support Guide Left	1	
20	47302	Shoe	1	
21	65028	Insert	6	
22	65064-2	Base Plate Weld	1	
23	42353	Stiffener Rear	1	
24	29215	Shoe Guard	1	
25	39480	Lifting Grip Weld Assembly (XJ)	1	
26^	23038	Shoe Kit	1	

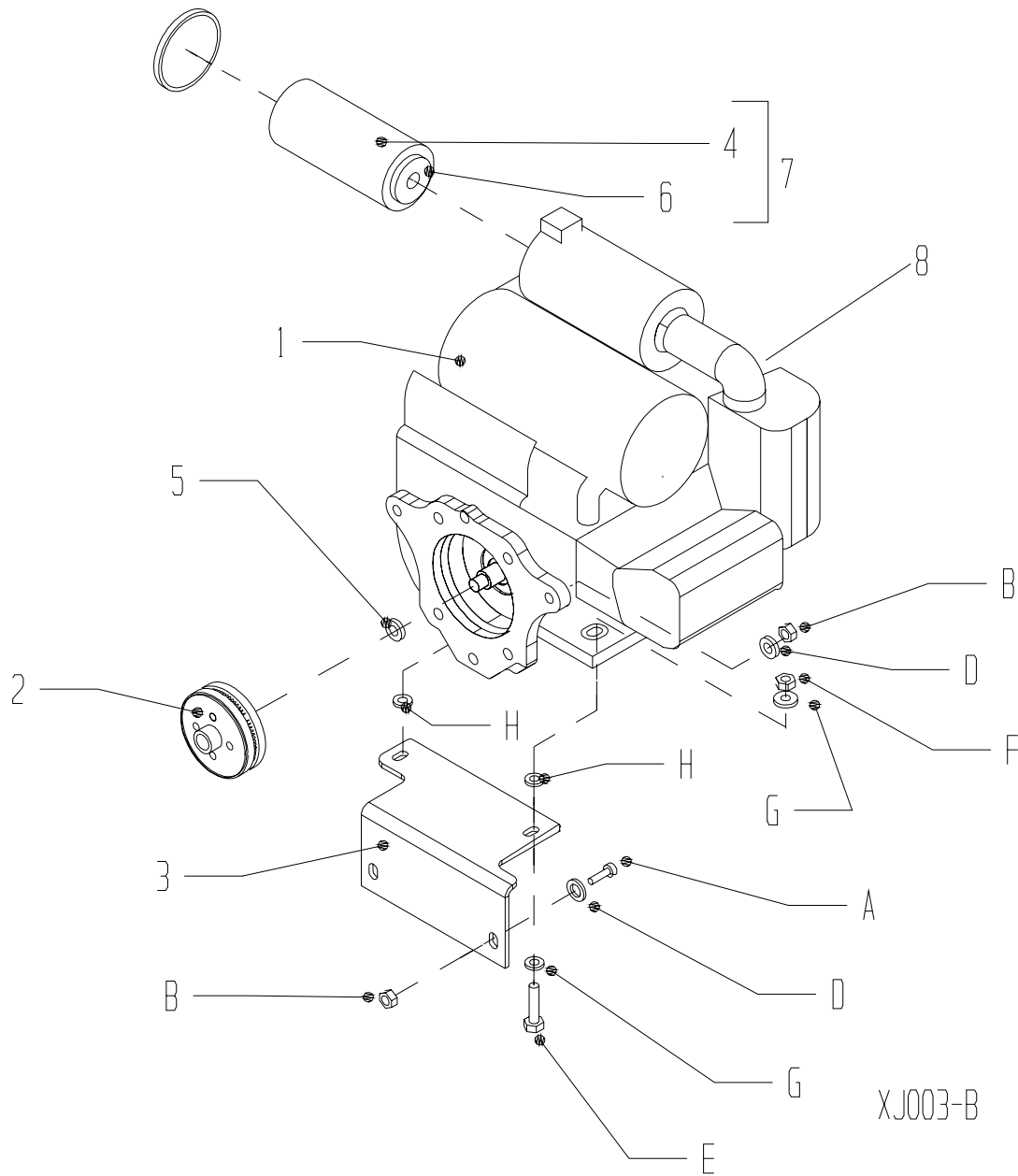
Item	Part No.	Description	Qty.	DIN
A*	80720	SHCS M8 -1.25 x 25 8.8 ZN	4	912
B	80812	WSHRL M8 Split ZN	10	127B
C*	80822	SHCS M12 -1.75 x 50 8.8 ZN	3	912
D*	80946	SHCS M12 -1.75 x 90 8.8 ZN	1	912
E	80826	WSHR M12 Split ZN	6	127B
F*	81158	HHCS M10 -1.5 x 60 8.8 ZN	4	933
H	80813	WSHR M8 x 24 OD ZN	10	9021B
I*	80823	FHSCS M8 -1.25 x 50 10.9 ZN	10	7991
J	80814	NUTNY M8 ZN	10	985
K	80765	Cap Plastic Blk	6	-
L	80943	SHCS M12 - 1.75 x 100 8.8	2	912

See Warning for Base Plate

\* Loctite Required

^ Shoe Kit (not shown) Includes Items 20, 21, 22, 23, B, C, D, H, I, L

## 8.13 Engine - XJ 4 Cycle



## 8.13 Engine - XJ 4 Cycle

---

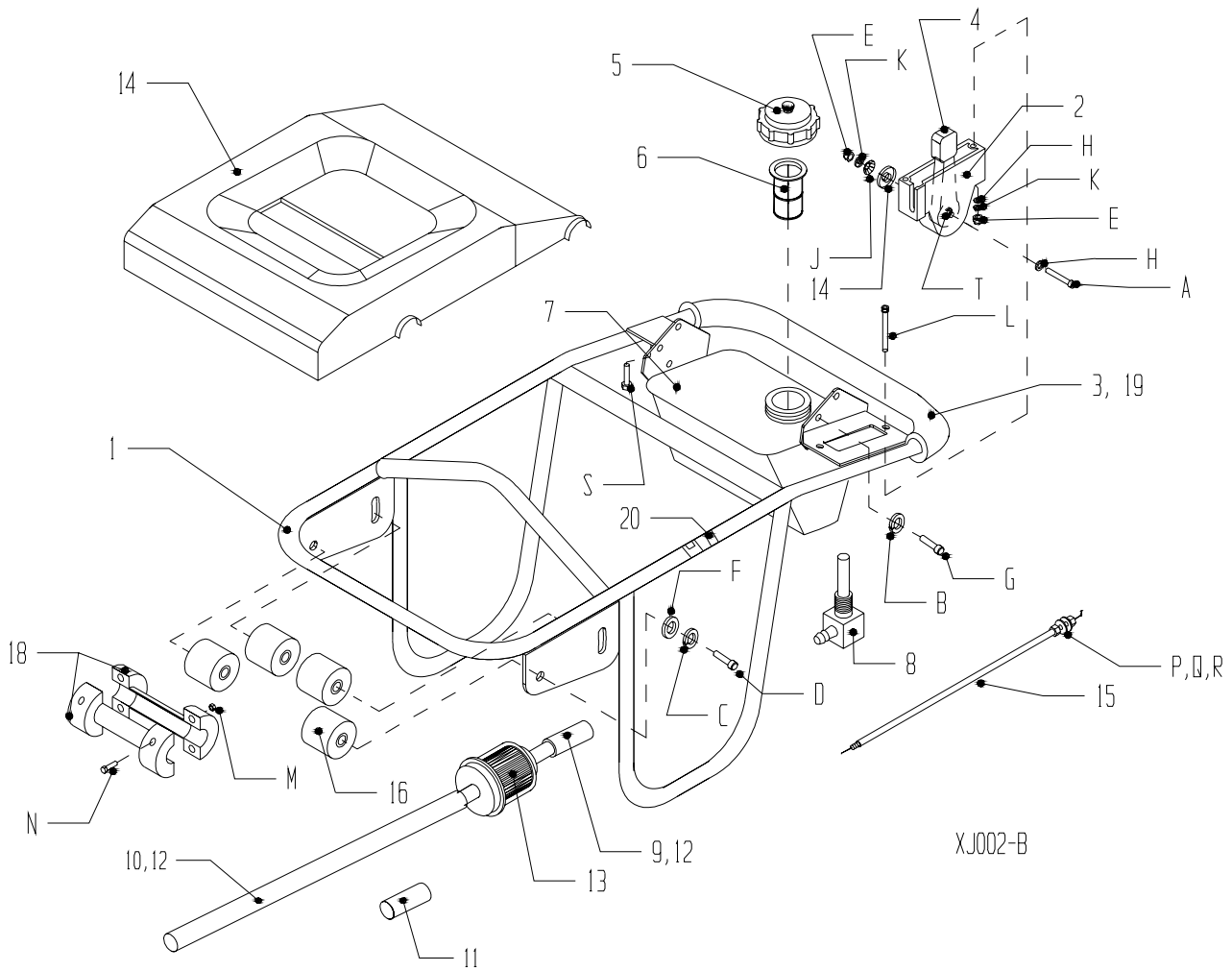
Item	Part No.	Description	Qty.
1	30567	Engine 4 Cycle Honda	1
2	30356	Clutch Assembly	1
3	39453-2	Engine Support Weldment	1
4	39490	Air Filter Outer Honda GX120	1
5	39498	Spacer Clutch	1
6	39511	Air Filter Inner Honda GX120	1
7	23152	Kit Air Filter Honda GX120	1
8#	39513	Fuel Reservoir Tip Over	1

Item	Part No.	Description	Qty.	DIN
A*	80803	SHCS M10 - 1.5 x 25 8.8 ZN	2	939
B	80833	NUTNY M10 - 1.5 ZN	6	985
D	80806	WSHR M10 Flat ZN	6	125A
E*	80892	HHCS M8 - 1.5 x 35 8.8 ZN	2	931
F*	80817	NUTNY M8 - 1.25 ZN	2	985
G	80857	WSHR M8 ZN	4	912
H	26325	WSHR 3/8 x 1.00 ZN	2	-

\* Loctite Required

# Not Shown

## 8.17 Handle and Fuel Tank - XJ 4 Cycle



## 8.17 Handle and Fuel Tank - XJ 4 Cycle

Item	Part No.	Description	Qty.
1	39661-2	Handle Assembly Weld	1
2	39386	Housing Throttle	1
3	39470	Handle Grip Black Vinyl	1
4	39387	Lever Throttle	1
5	35701	Cap Plastic Gas/Water	1
6	47219	Fuel Strainer	1
7	39474	Fuel Tank Gasoline	1
8	39056	Valve/Strainer	1
9	39526	Hose Fuel 4.5mm x 2" LG	1
10	39662	Hose Fuel 4.5mm x 14" LG	1
11	47410	Support Hose 4.25 LG	1
12	47409	Clamp Hose	3
13	39660	Fuel Filter Gas	1
14	39461	Cover - Plastic Fox	1
15^	39485	Throttle Control	1
16	65004	Shock Mount	4
17	39402	Washer Throttle	1
18**	23138	Kit Wheel Handle (optional)	1
19	39460	Tube Grip	1
20	34091	Clamp Cable	1

Item	Part No.	Description	Qty.	DIN
A	80947	HHCS M6 - 1.0 x 40 8.8 NZ	1	931
B	80812	WSHRL M8 Split ZN	6	127B
C	80805	WSHRL M12 Split ZN	4	127B
D	80808	HHCS M12 - 1.75 x 20	4	912
E	80851	NUTNY M6 - 1.0	3	985
F	80807	WSHR M12 Flat ZN	4	125A
G*	80894	SHCS M8 - 1.25 x 16 8.8 ZN	6	912
H	80856	WSHR M6 Flat	3	125A
J	80939	WSHR Belleville 1/4 ID	1	-
K	80860	WSHRL M6 ZN	2	127B
L	80940	SHCS M6 - 1 x 60 8.8 ZN	2	912
M	80850	NUTNY M5 - .8 ZN	4	-
N	80821	SHCS M5 - .8 x 16 8.8 ZN	4	-
P	80247	NUTFX 5/16 - 24 ZN	2	-
Q	80086	WSHRL 5/16 Split ZN	1	-
R	80495	WSHR 5/16 Plain ZN	1	-
S	80586	HWHST 5/16 - 18 x .50 ZN	2	-
T	80347	WSHR 1/4 WROT ZN	1	-
U	81154	PINSP 1/8 x 1-3/4 SST	1	-

\* Loctite Required

\*\*Includes 18, M & N

^Lubricate Throttle



## 8.19 Decal Identification

---

<b>Item</b>	<b>Part No.</b>	<b>Description</b>	<b>Qty.</b>
1	55336	Decal Caution Instruction	1
2	55378	Decal Throttle	1
3	55379	Decal Throttle Stompers	1
4	55322	Decal On/Off	1
5	55337	Decal Air Filter Maintenance	1
6	55345	Decal Oil Line Warning	1

# 8.19 Decal Identification

7

**CAUTION**

**FUEL OIL**

- USE DIESEL FUEL.
- CLEAN FILTER EVERY 500hrs.

**LUBE OIL**

- SAE 10W30 GRADE CC
- CHANGE LUBE OIL EVERY 100hrs.
- CLEAN FILTER EVERY 100hrs.

**STARTING**

- CHECK LUBE OIL LEVEL AND FUEL.
- FOR EAGY STARTING IN COLD WEATHER. ADD 2cc LUBE OIL TO ROCKER ARM COVER.
- WARM UP WITHOUT LOAD.

**STOPPING**

- CLOSE FUEL COCK AFTER STOPPING ENGINE.

PN 55325

8

**HOW TO START**

① Open the fuel cock

② Put the Lever in the "START" position.

③ Pull the starting handle slowly.

④ Pull until you feel resistance. Then return it slowly.

⑤ Push the decompression lever down and release.

⑥ Pull the rope hard and fast.

If the engine doesn't start, try again from ③

PN 55324

9

**NOTICE**

CONTACT THE MANUFACTURER IMMEDIATELY AT 1-800-888-9926 IF SAFETY OR HAZARD DECALS OR OWNER'S MANUAL ARE MISSING FROM THIS EQUIPMENT.

PN 55156

12



• Springs Under Compression  
• May Cause Injury  
• Consult Manual or Manufacturer Before Removing Plate.  
1-800-888-9926  
55026

10

**CHECK OIL DAILY**

USE 30 WT. MOTOR OIL

**OIL LEVEL**

**DO NOT OVERFILL**



PN 55053

11

**ON**



**OFF**

PN 55377

## 8.19 Decal Identification

---

<b>Item</b>	<b>Part No.</b>	<b>Description</b>	<b>Qty.</b>
7	55325	Decal Caution Fuel Yanmar	1
8	55324	Decal How To Start Yanmar	1
9	55156	Decal Notice	1
10	55053	Decal Check Oil Daily	1
11	55377	Decal On/Off Choke	1
12	55026	Decal Warning Spring	1