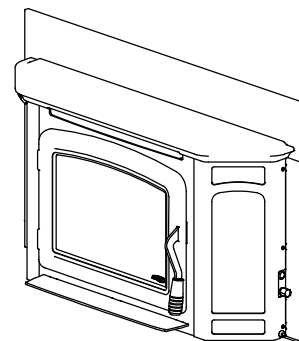


## EPA Certified Wood-Burning Fireplace Inserts

Save These Instructions  
For Future Reference

P/N 506031-02, Rev. A, 10/2012



Montlake™ 230

## Wood-Burning Fireplace Inserts Model Montlake™ ML230

With Innovative Thermal Fin Technology (TFT™)

A French manual is available upon request. Order P/N 506223-36.

Ce manuel d'installation est disponible en français, simplement en faire la demande. Numéro de la pièce 506223-36.

**NATIONAL  
FIREPLACE  
INSTITUTE**  
**NFI**  
**CERTIFIED**  
[www.nficertified.org](http://www.nficertified.org)

We recommend that our woodburning hearth products be installed and serviced by professionals who are certified in the U.S. by the National Fireplace Institute® (NFI) as NFI Woodburning Specialists or who are certified in Canada by Wood Energy Technical Training (WETT).

 Wood Energy  
Technical Training



This appliance must be properly installed and operated in order to prevent the possibility of a house fire. Please read this entire installation and operation manual before installing and using your wood fireplace insert. Failure to follow these instructions could result in property damage, bodily injury or even death. Contact your local building or fire officials to obtain a permit and information on any installation requirements and inspection requirements in your area.



### **! WARNING**

- **Hot! Do not touch! The glass and surfaces of this appliance will be hot during operation and will retain heat for a while after shutting off the appliance. Severe burns may result.**
- **Carefully supervise children in the same room as appliance.**

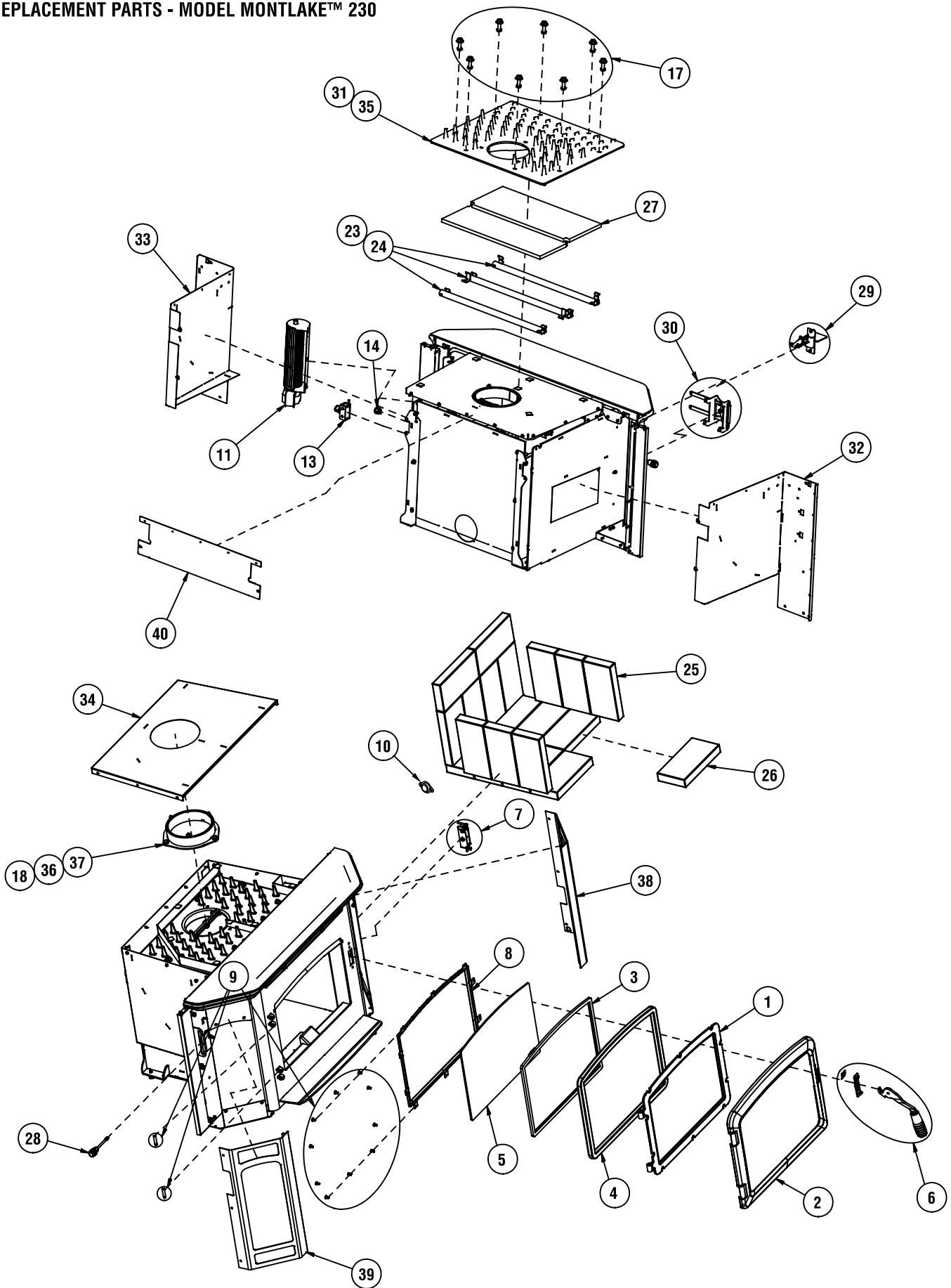
**REPLACEMENT PARTS - MODEL MONTLAKE™ 230**

Contact an Lennox Hearth Products dealer to obtain any of these parts. Never use substitute materials. Use of non-approved parts can result in poor performance and safety hazards.

| FRONT DOOR PARTS LIST |         |   |
|-----------------------|---------|---|
| Item #                | Cat. No | Description   |
| 1                     | H8365   | Inner Door Frame, Cast Iron   |
| 2                     | H8366   | Outer Door Frame, Cast Iron   |
| 3                     | H8380   | Glass Gasket 1"   |
| 4                     | H5639   | Door Gasket 7/8"  |
| 5                     | H8392   | Ceramic Glass With Gasket   |
| 6                     | H8395   | Door Handle Kit   |
| 7                     | H8397   | Door Latch Assembly (4 button head screws and latch)  |
| 8                     | H8394   | Glass, Retainer Kit   |
| 9                     | H8398   | Door Hardware Kit (includes 2 pins, door roller and 10 button head screws and door set screw) |
| BLOWER PARTS          |         |   |
| 10                    | H8682   | Snap switch   |
| 11                    | H8683   | Blower  |
|                       | H8684   | Wire Harness  |
| 13                    | H5742   | Rheostat  |
| 14                    | H8066   | Toggle Switch   |
| MISCELLANEOUS PARTS   |         |   |
|                       | 71052   | Dry Graphite (apply to door handle bushing)   |
|                       | H5633   | Anti Seize, 2 Gram Pouch  |
| 17                    | H8387   | Heat Exchanger Bolt Kit   |
| 18                    | H8388   | Flue Ring Bolt Kit  |

| MISCELLANEOUS PARTS (continued) |         |   |
|---------------------------------|---------|---|
| Item #                          | Cat. No | Description                                     |
|                                 | H8390   | Taptite Qty 8 (34055)                           |
|                                 | H8391   | Button Head Screw Qty 8 (34027)                 |
|                                 | H8685   | Control Labels                                  |
| FIREBOX PARTS                   |         |   |
| 23                              | H8367   | Secondary Tube Retainer Clips                   |
| 24                              | H8373   | Replacement Secondary Air Tube Kit              |
| 25                              | H8378   | Complete Firebrick Kit (20 bricks included)     |
| 26                              | H5612   | Firebrick 4-1/2" X 9", Each                     |
| 27                              | H8379   | Baffle Board Kit                                |
| BODY PARTS                      |         |   |
| 28                              | H8393   | Damper Rod                                      |
| 29                              | H8396   | Damper Assembly                                 |
| 30                              | H8686   | Damper Assembly Linkage                         |
| 31                              | H8369   | Cast Iron Heat Exchanger (hardware included)    |
| 32                              | H8687   | Left Side Heat Shield Assy (hardware included)  |
| 33                              | H8688   | Right Side Heat Shield Assy (hardware included) |
| 34                              | H8689   | Top Heat Shield (hardware included)             |
| 35                              | H8377   | Heat Exchanger Gasket                           |
| 36                              | H8690   | Flue collar base (hardware included)            |
| 37                              | H8691   | Flue collar insert (hardware included)          |
| 38                              | H8692   | Right side front panel                          |
| 39                              | H8693   | Left side front panel                           |
| 40                              | H8725   | Rear Heat Shield (hardware included)            |

REPLACEMENT PARTS - MODEL MONTLAKE™ 230



NOTE: DIAGRAMS & ILLUSTRATIONS ARE NOT TO SCALE.

**ACCESSORIES - MODEL MONTLAKE™ 230**

| Cat. No.                                       | Model              | Description  |
|--|--------------------|--|
| <b>TOP WARMING SURFACE KITS (ONE REQUIRED)</b> |                    |  |
| H8673  | TOP-STEEL-ML230    | Steel Top - Montlake™ 230                              |
| H8674  | TOP-CASTIRON-ML230 | Cast Top - Montlake 230                                |
| <b>DOOR TRIM KITS</b>                          |                    |  |
| H8346  | DRTRM-GV230-NKL    | Door Trim, Nickel                                      |
| H8347  | DRTRM-GV230-BRNKL  | Door Trim, Brushed Nickel                              |
| <b>SURROUND KITS (ONE REQUIRED)</b>            |                    |  |
| H8677  | ML230-FP2641       | Surround Kit, 26-1/2" X 41" Black - Montlake 230       |
| H8678  | ML230-FP2648       | Surround Kit, 26-1/2" X 48" Black - Montlake 230       |
| H8679  | ML230-FP3141       | Surround Kit, 31" X 41" Black - Montlake 230           |
| H8680  | ML230-FP3148       | Surround Kit, 31" X 48" Black - Montlake 230           |
| H8681  | ML230-FPTRIM3348   | Surround Kit, 33" X 48" Black Trimmable - Montlake 230 |
| <b>MISC.</b>                                   |                    |  |
| H8675  | ZC-SUPPRT-ML230    | ZC Support - Montlake 230                              |
| H8159  | TSPK-B             | Touch-up Spray Paint Kit, Black                        |