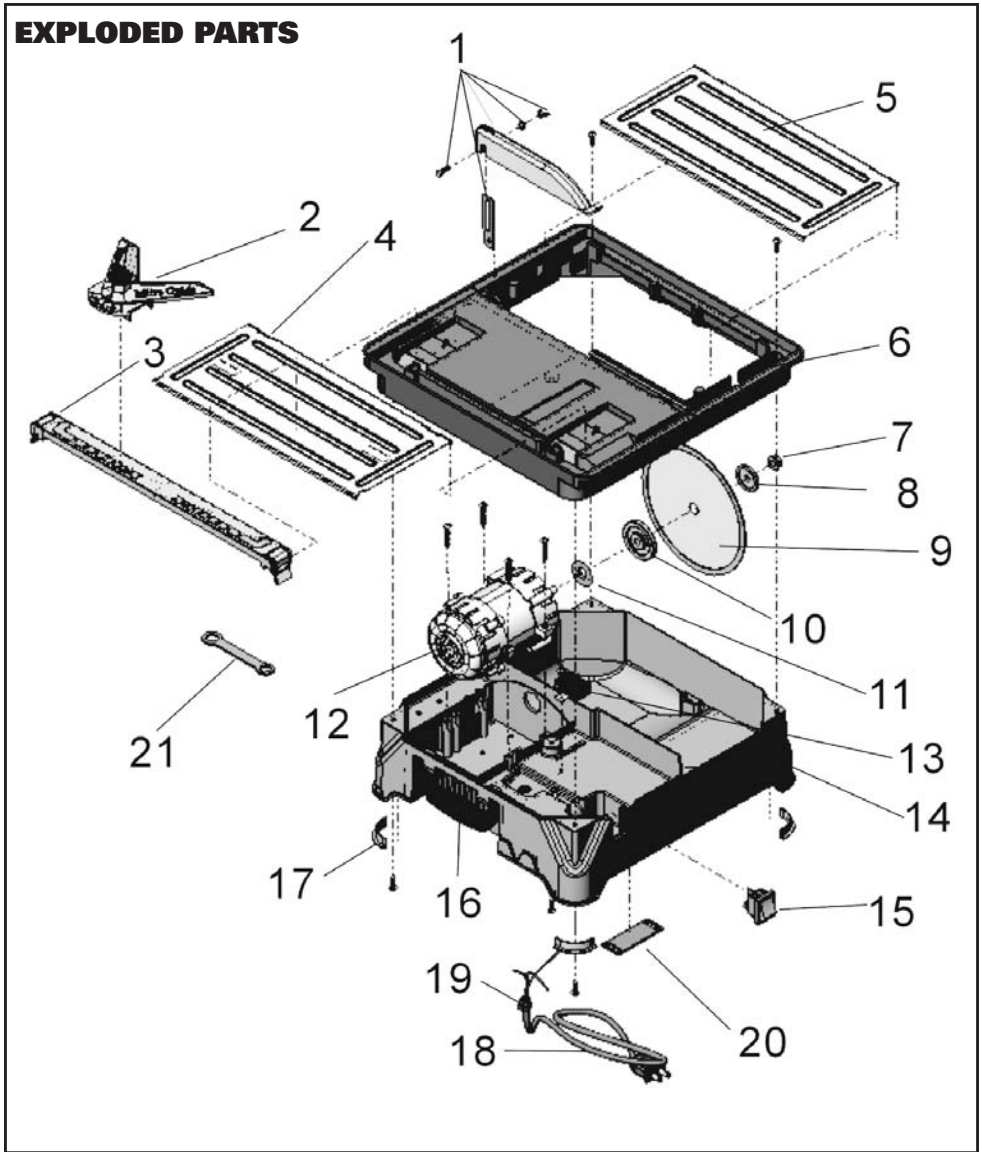


EXPLODED PARTS



QEPParts.com
888-634-4289
An iBuy Stores Company

5. DO NOT force the material into the blade. Let the blade cut at its own speed.
6. DO NOT cut material not recommended by the blade manufacturer.

TROUBLESHOOTING

OVERHEATING OF SAW:

1. Turn saw off and let it rest until motor is cool to the touch.
2. Check and clean the ventilation slots, removing blockage and dirt.

THE SAW DOES NOT START:

1. Check that power cord is properly plugged in.
2. No power from outlet.
3. Switch is damaged.

PARTS LIST

See exploded parts diagram on page 10.

PART #	DESCRIPTION
22500-1	Blade Guard Set (w/ Screw, Wing Nut, Washer & Guard Support)
22500-2	Miter Guide Set (w/ Adjustment Knob & Hex Nut)
22500-3	Rip Guide
22500-4	Left Cutting Table
22500-5	Right Cutting Table
22500-6	Upper Frame
22500-7	Blade Lock Nut
22500-8	Outer Flange
22500-9	7 in Continuous Rim Blade
22500-10	Inner Flange
22500-11	Oil Seal for Motor
22500-12	Motor (w/5 Screws)
22500-13	Capacitor (w/Screw)
22500-14	Main Frame (w/6 Screws)
22500-15	Waterproof Switch (w/ Waterproof Rubber Cover)
22500-16	Carrying Handle
22500-17	Rubber Base (4)
22500-18	Power Cord
22500-19	Strain Relief Bushing
22500-20	Power Cord Shelter
22500-21	Universal Wrench

QEPParts.com
 888-634-4289
 An iBuy Stores Company