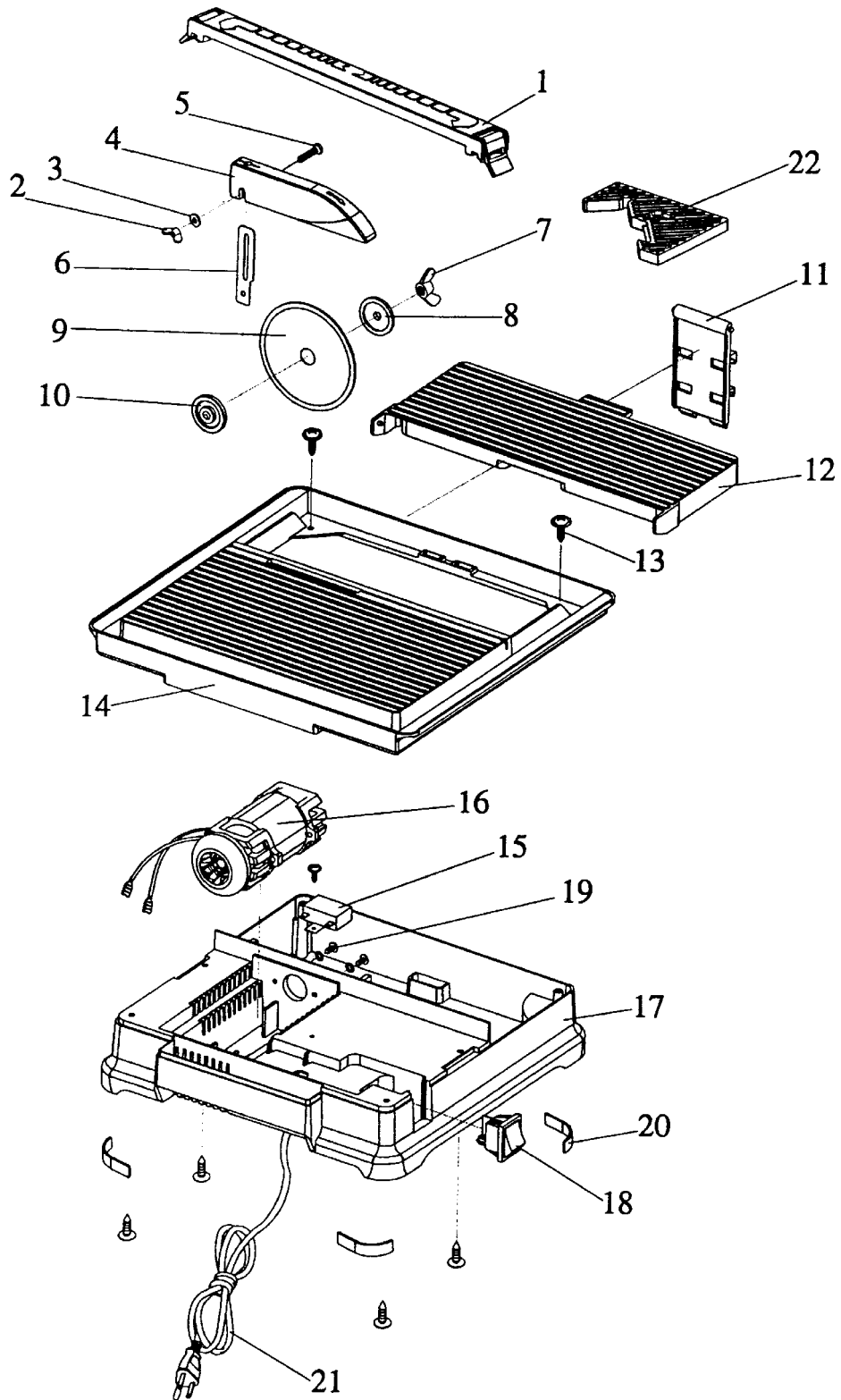


# EXPLODED VIEW



## **60084A PARTS LIST**

	<b>PARTS#</b>	<b>PARTS NAME</b>	<b>QTY.</b>
<b>1</b>	<b>60084A-1</b>	<b>Rip guide</b>	<b>1</b>
<b>2</b>	<b>60084A-2</b>	<b>Wing nut</b>	<b>1</b>
<b>3</b>	<b>60084A-3</b>	<b>Washer</b>	<b>1</b>
<b>4</b>	<b>60084A-4</b>	<b>Blade guard</b>	<b>1</b>
<b>5</b>	<b>60084A-5</b>	<b>Screw for wing nut (Guard)</b>	<b>1</b>
<b>6</b>	<b>60084A-6</b>	<b>Guard support</b>	<b>1</b>
<b>7</b>	<b>60084A-7</b>	<b>Wing nut</b>	<b>1</b>
<b>8</b>	<b>60084A-8</b>	<b>Outer washer</b>	<b>1</b>
<b>9</b>	<b>6-4003CR</b>	<b>Blade</b>	<b>1</b>
<b>10</b>	<b>60084A-10</b>	<b>Inner washer</b>	<b>1</b>
<b>11</b>	<b>60084A-11</b>	<b>Miter support</b>	<b>1</b>
<b>12</b>	<b>60084A-12</b>	<b>Right cutting table</b>	<b>1</b>
<b>13</b>	<b>60084A-13</b>	<b>Screw for cutting table</b>	<b>7</b>
<b>14</b>	<b>60084A-14</b>	<b>Left cutting table</b>	<b>1</b>
<b>15</b>	<b>60084A-15</b>	<b>Capacitor</b>	<b>1</b>
<b>16</b>	<b>60084A-16</b>	<b>Motor</b>	<b>1</b>
<b>17</b>	<b>60084A-17</b>	<b>Frame</b>	<b>1</b>
<b>18</b>	<b>60084A-18</b>	<b>Switch</b>	<b>1</b>
<b>19</b>	<b>60084A-19</b>	<b>Screw for motor</b>	<b>2</b>
<b>20</b>	<b>60084A-20</b>	<b>Rubber stand</b>	<b>4</b>
<b>21</b>	<b>60084A-21</b>	<b>Electrical cord</b>	<b>1</b>
<b>22</b>	<b>60084A-22</b>	<b>45° Angle cutting guide</b>	<b>1</b>