

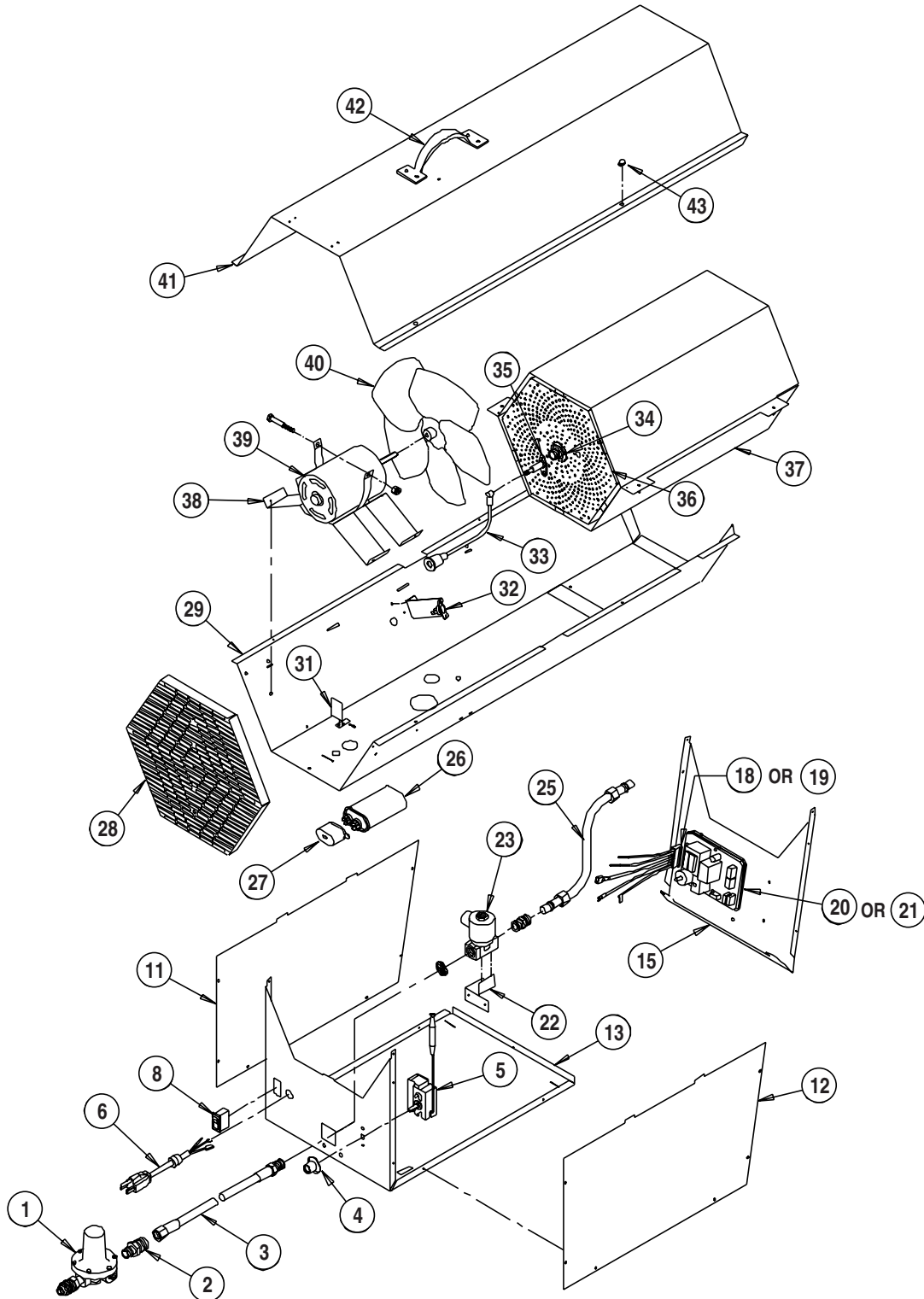


# ***TRADESMAN***

## ***Portable Forced Air Heaters***

# Portable Forced Air Heaters

## MODEL CP400B NON-DIAGNOSTIC



# Portable Forced Air Heaters



## PARTS IDENTIFICATION

<b>Item</b>	<b>Description</b>	<b>Model CP400B Non-Diagnostic</b>
1	Regulator, w/ POL	130-22315
2	Hose Adapter, regulator outlet	310-21997
3	Hose, Fixed X Swivel, 3/8in. x 10 ft	400-21841
	Hose, Fixed x Swivel, 3/8in. x 15 ft. (Canada)	400-22278
4	Thermostat Knob	130-22214
5	Thermostat	120-22213
6	Power Cord	120-05795
8	Switch, On/Off	120-03834
11	Case, Right Side	271-08017
12	Case, Left Side	271-08016
13	Case, Bottom and Back	271-22292
15	Case, Front	271-22291
18	Wire Harness, AGA	120-07028
19	Wire Harness, CGA (Canada)	120-22307
20	Direct Spark Ignition Control, AGA	120-07637
21	Direct Spark Ignition Control, CGA (Canada)	120-22304
22	Bracket, Solenoid Mount	225-22295
23	Solenoid Valve with Screen, 120V	400-08022
25	Tube, Formed Copper	410-22225
26	Capacitor	120-04720
27	Capacitor Boot	120-04938
28	Air Inlet Guard	225-06307
29	Case, Barrel Bottom	271-22290
31	Switch, Air Proving with Bracket	400-22526
32	Switch, Backflash Assembly, Manual Reset	400-22294
33	Wire, Igniter	120-20409
34	Orifice with Retaining Rings	550-20410
35	Igniter with Fasteners	500-20312
36	Burner Plate	240-06314
37	Combustion Chamber (2 required)	260-06311
38	Bracket, Motor Mount with Bolt	550-06717
39	Motor	120-04719
40	Fan	130-22302
41	Case, Top	271-08013
42	Handle	130-03941
43	Nut, Acorn	130-03938

N/A - Not Applicable