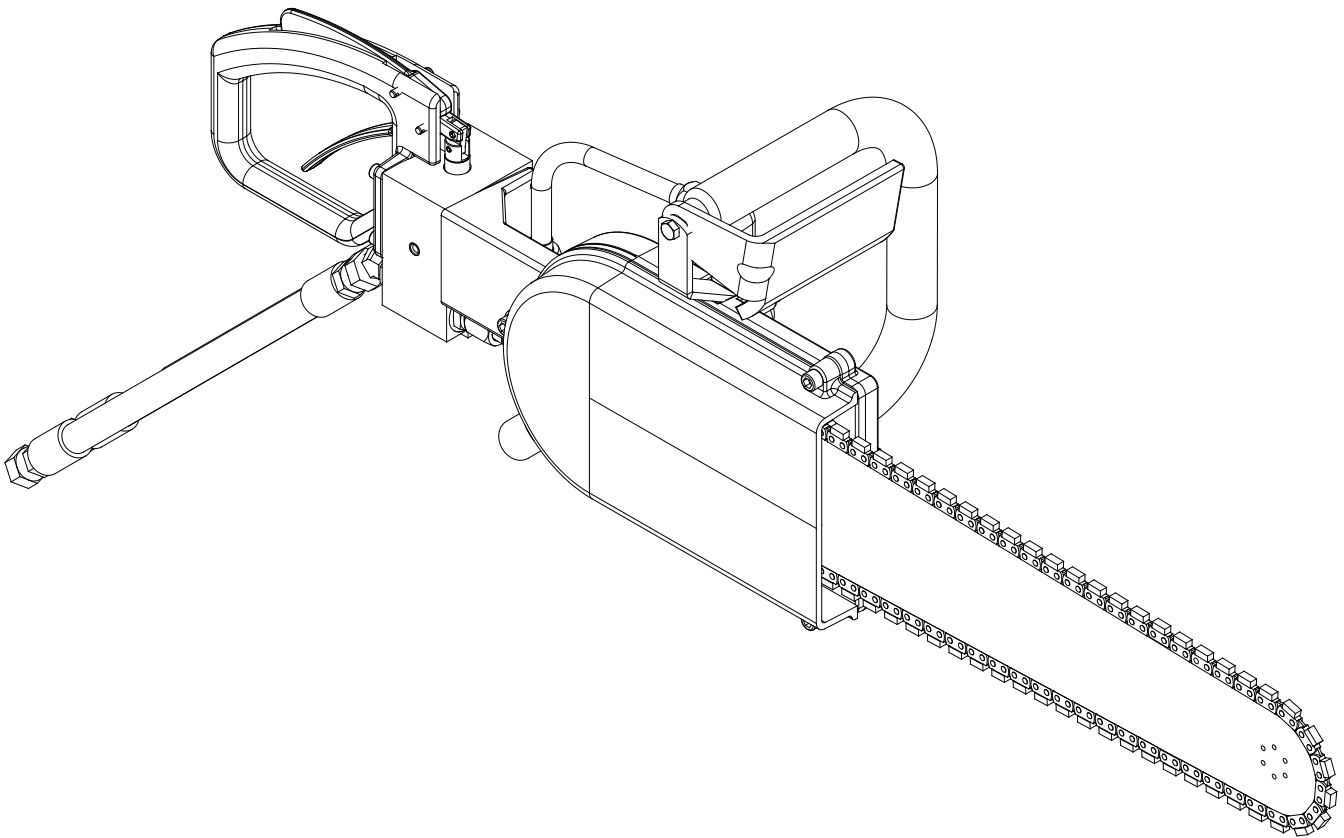




# C150 CAST FRAME 8 GPM & 12 GPM HYDRACUTTER INSTRUCTIONS

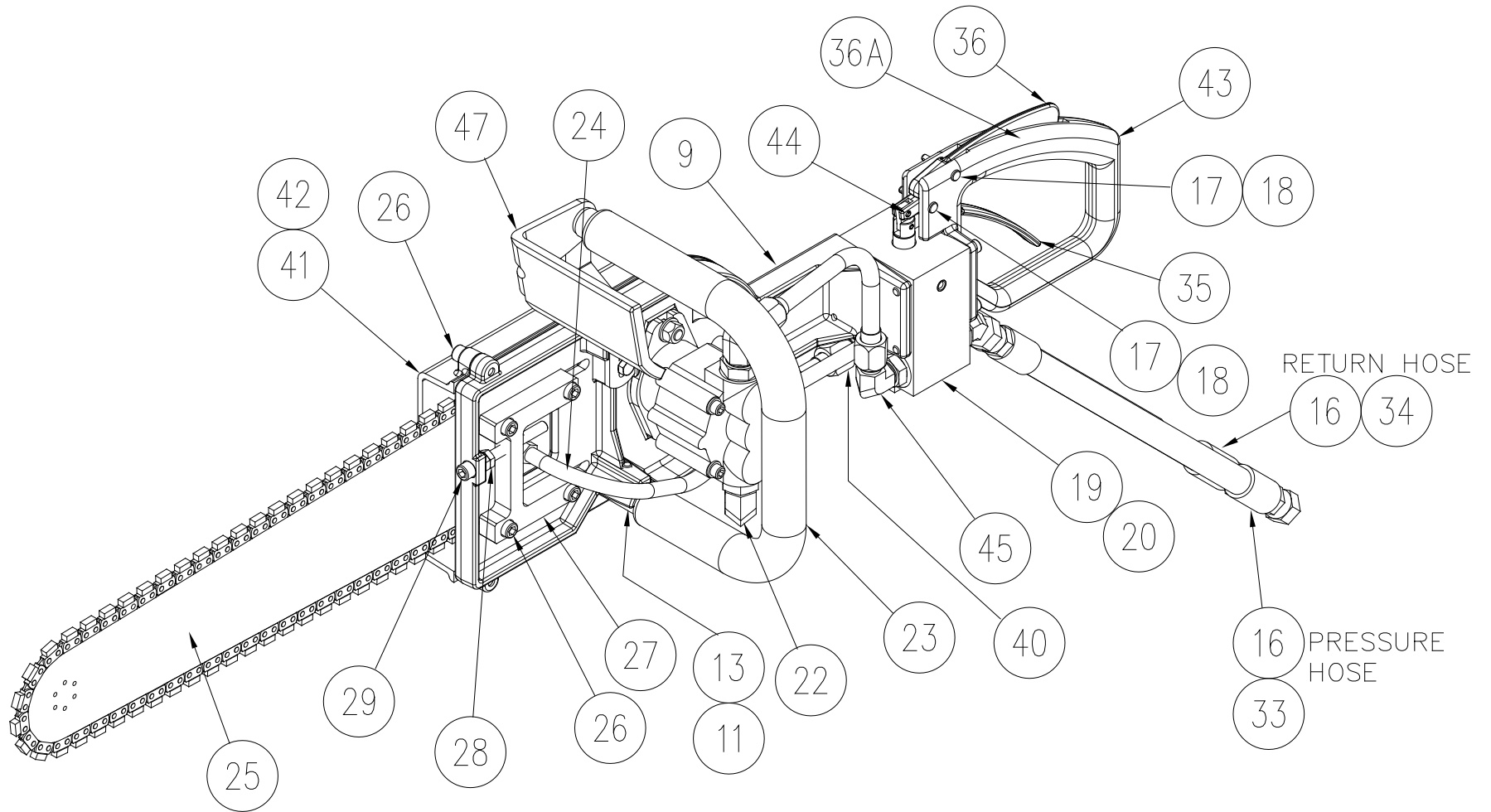


## 7 PARTS LIST

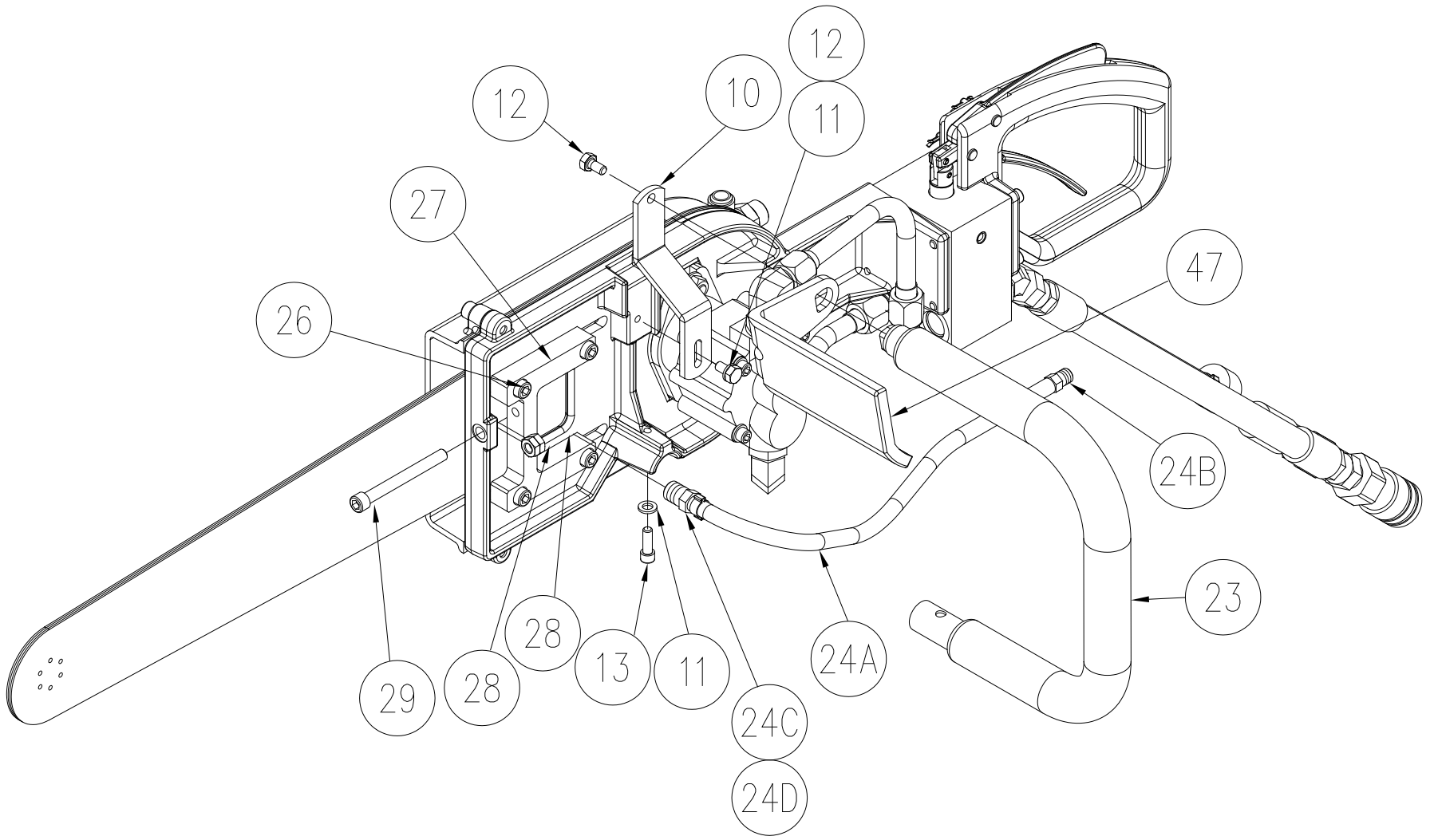
The following parts list applies to the 8gpm C150 HydraCutter only. The parts list for the hydraulic power source is in the separate manual supplied for this item. Each item number on the following parts list can be matched with the item number shown on the Figure 7-1 assembly drawing.

Item Number	Part Number	Quantity	Description
1	1917149	1	BAR CLAMP
2	5800798	4	BAR MOUNTING SCREW 5/16-18 X 3/4
3	5807195	1	TRANTORQUE
4	1907135	1	DRIVE SPROCKET 4" (STD CHAIN)
	1914801		DRIVE SPROCKET 4" (HD CHAIN)
5	7404780	1	FELT GASKET FOR MOTOR SHAFT
6	5806313	2	FLAT HEAD SCREW 3/8-16 X 1
7	5806406	2	SAE FLAT WASHER 3/8
8	5806368	2	LOCKNUT 3/8-16
9	1914511	1	C150 CAST SAW FRAME-BLUE
10	1911303	1	MINISAW/C150 HANDLE BAR ZCC
11	5806393	2	SAE FLAT WASHER 1/4
12	5806202	2	HHCS 1/4-20 X 1/2
13	5806317	1	SHCS 1/4-20 X 3/4
16	1697502	2	12" HOSE WHIP
17	5819965	1	CLEVIS PIN 1/4 X 1-1/4
18	5806429	2	PIN,COTTER 3/32 X 1/2
19	6014930	1	VALVE 3 PORT ASSY '15
20	7404676	1	VALVE SEAL KIT
21	5604554	2	ADAPTER 90D 3/4SAEM X 3/4 JICM (8 GPM MOTOR)
	5604541		ADAPTER 90D 7/8SAEM X 3/4 JICM)12 GPM MOTOR)
22	5604685	2	ADAPTER 45D 3/4SAEM X 3/4 JICM
23	1911210	1	MINI/C150 HANDLE & GRIP ASSY
24A	5901820	13.5"	HOSE 1/4" PUSH LOCK "BLACK"
24B	5619947	1	ADAPTER 1/4 HOSE BARB X 1/8"NPTM
24C	5600966	1	FITTING 1/4NPTM X 1/4BARB
24D	5806140	1	CLAMP, STEPLESS EAR 1/2" SS
25	1927015	1	15" BAR (MC1 CHAIN)
	1945615		15" BAR (MC3 CHAIN)
	1927020	1	20" BAR (MC1 CHAIN)
	1945620		20" BAR (MC3 CHAIN)
26	5806312	7	SHCS 5/16 X 1 CZP
27	1914550	1	C-150 CAST BAR TENSIONER
28	5805590	2	JAM NUT
29	5806311	1	SHCS 5/16-18 X 3 FULLY THREADED
30	1917148	1	BAR ADAPTER
31	7407160	1	HOSE WASHER WITH FILTER
32A	5901820	12"	HOSE 1/4" PUSH LOCK "BLACK"

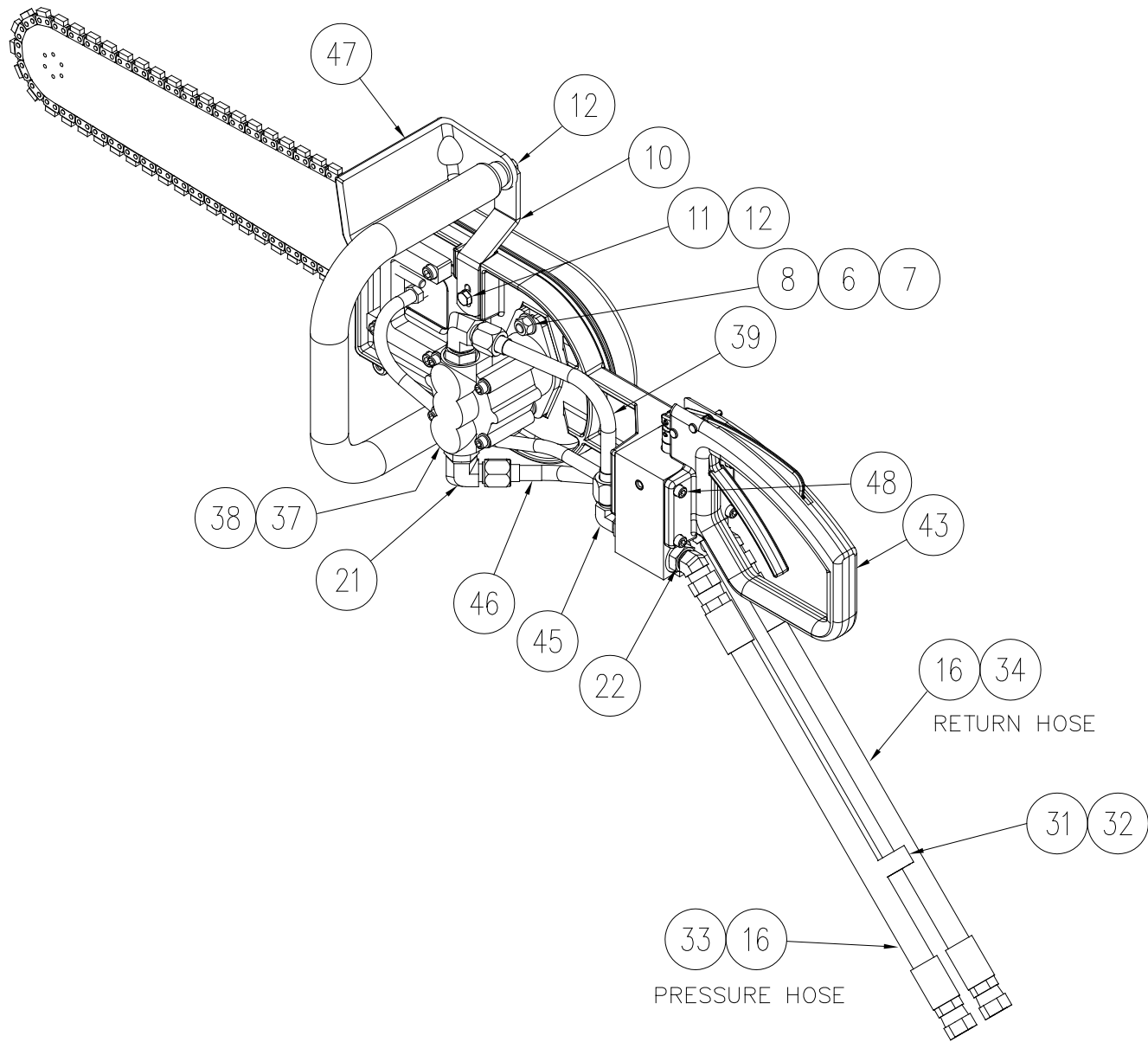
32B	5619948	1	ADAPTER 45D 1/4 HOSE BARB X 1/8"NPTM
32C	5607162	1	FITTING 3/4GHF X 1/4BARB
32D	5806140	1	CLAMP, STEPLESS EAR 1/2" SS
33	6001886	1	COUPLING 1/2" FEMALE
34	6001885	1	COUPLING 1/2" MALE
35	1914506	1	C150/S-SAW CAST TRIGGER BLK
36A	1914516	1	C150/S-SAW CAST TRIGGER LOCK BLK
36B	5819950	1	TRIGGER LOCK COMPRESSION SPRING
37	6506732	1	MOTOR HYD C150 (8 GPM)
	6593250		MOTOR HYD C150 (12 GPM)
38	7404808	1	HYDRAULIC MOTOR SEAL KIT
39	6019301	1	C150 CAST HYDRA PRESSURE TUBE (8 GPM MOTOR)
	6019312		C150 CAST HYDRAPRESSURE TUBE(12 GPM MOTOR)
40	5604554	1	ADAPTER 3/4 SAEM X 3/4 JICM
41	1914301	1	C150 CAST COVER BLUE
42	6205693	1	DECAL "HYDRACUTTER" (8 GPM SAW)
	6219277		DECAL "HYDRACUTTER" (12 GPM SAW)
43	1914521	1	C150/S-SAW CAST HANDLE-BLUE
44	5804651	1	PIN, SLOTTED ROLL 5/32 X 5/8
45	5604684	1	ADAPTER 90D 3/4SAEM X 3/4 JICM
46	1914306	1	C150 CAST HYDRA RETURN TUBE (8 GPM MOTOR)
	1914316		C150 CAST HYDRARETURN TUBE(12 GPM MOTOR)
47	1911928	1	SAW HAND GUARD "CE" & MINI BLK
48	5819970	4	SHCS 1/4-20 X 3 CZP
49	6205652	1	DECAL "8 GPM"
	6219274		DECAL "12 GPM"
	5804769	1	"L" HANDLE HEX WRENCH 1/4 "
	5804768	1	"T" HANDLE HEX WRENCH 1/4"
	1906150	2	TIP CLEANER
	1920549	1	C150 CAST DRIVE SPROCKET LOCK HANDLE



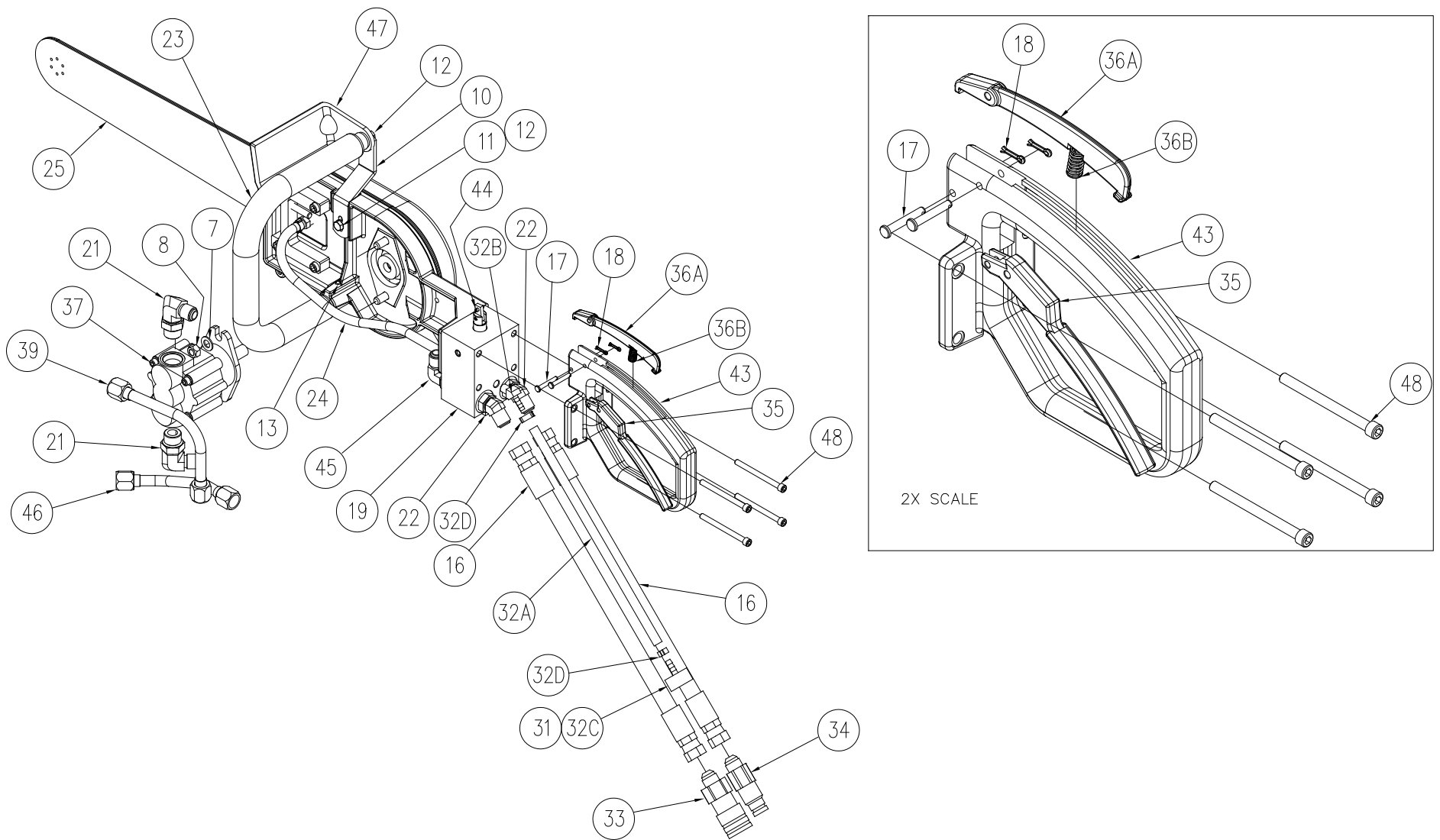
**FIGURE 7-1A**  
**C150 CAST ASSEMBLY**



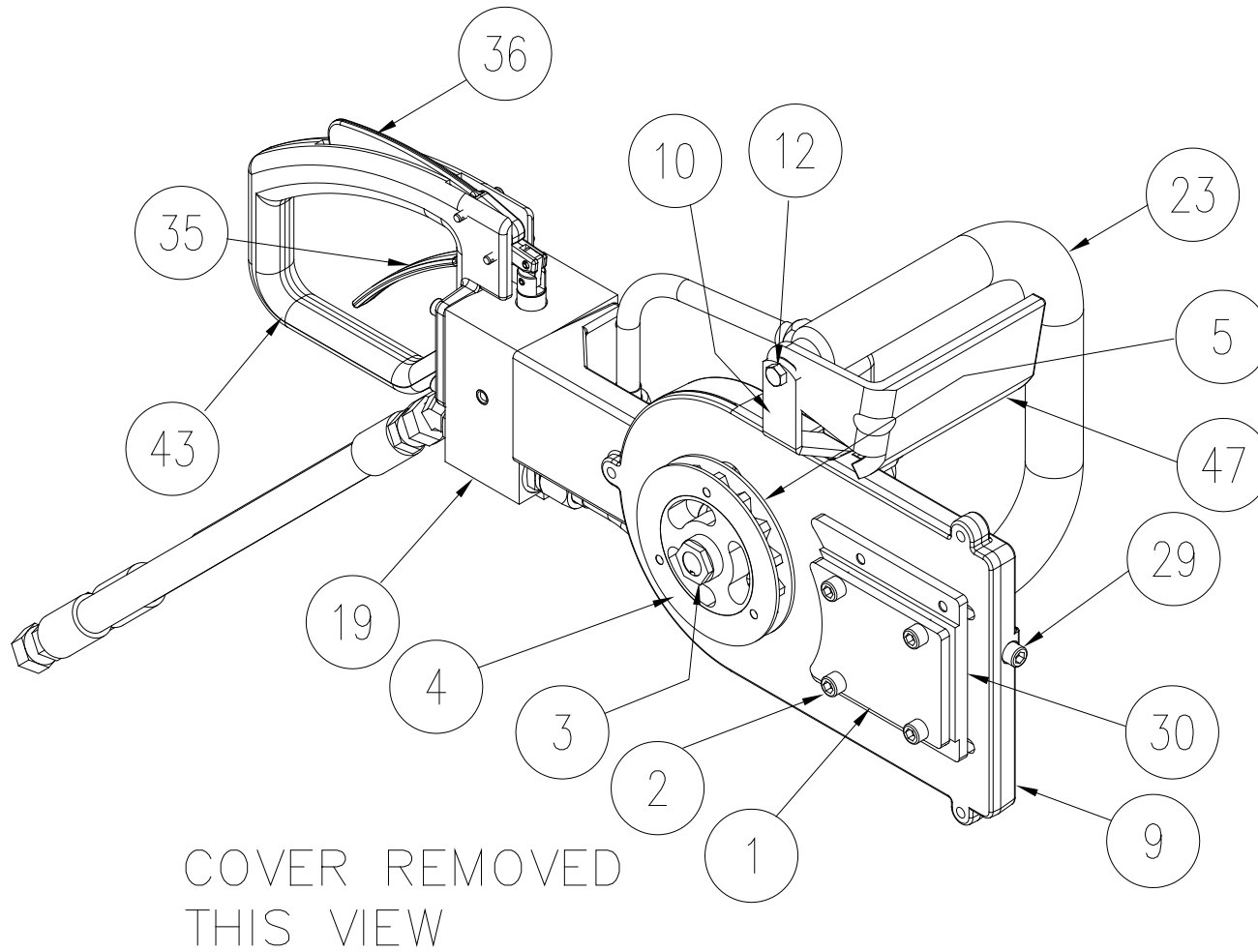
**FIGURE 7-1B**  
**C150 CAST ASSEMBLY-Exploded View**



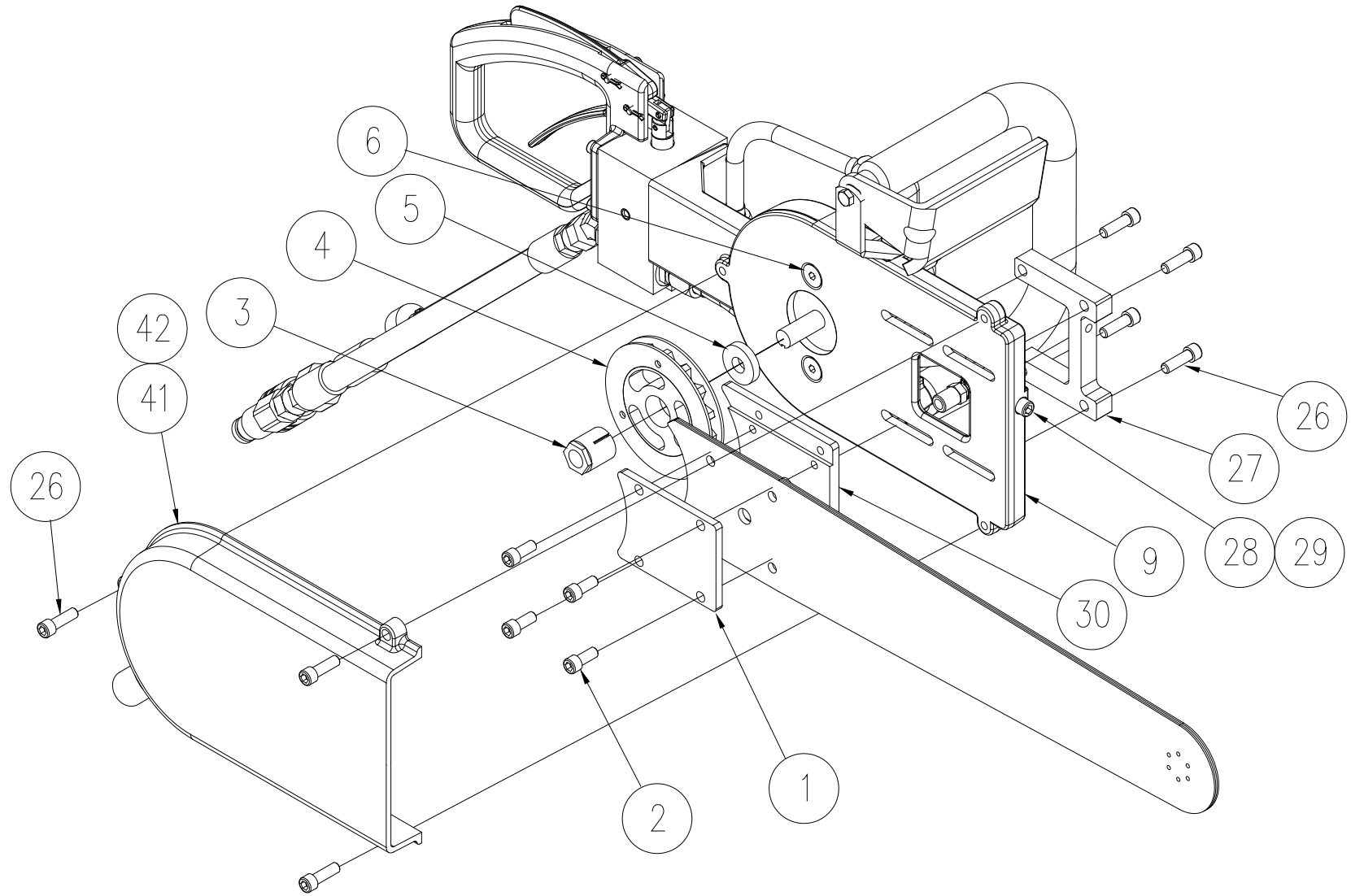
**Figure 7-2A.**  
**C150 Cast Assembly**



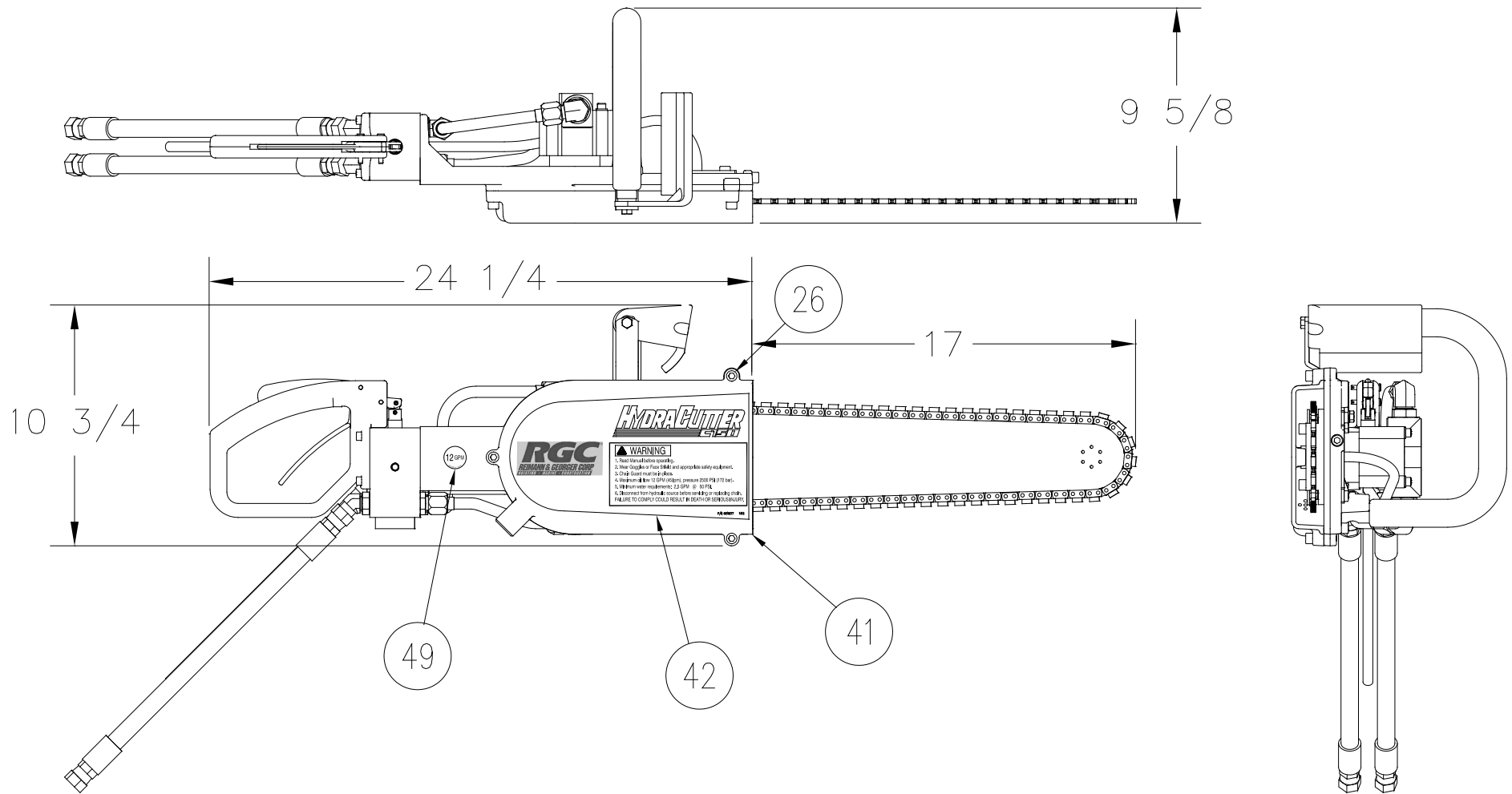
**Figure 7-2B.**  
**C150 Cast Assembly-Exploded View**



**Figure 7-3A.**  
**C150 Cast Assembly**



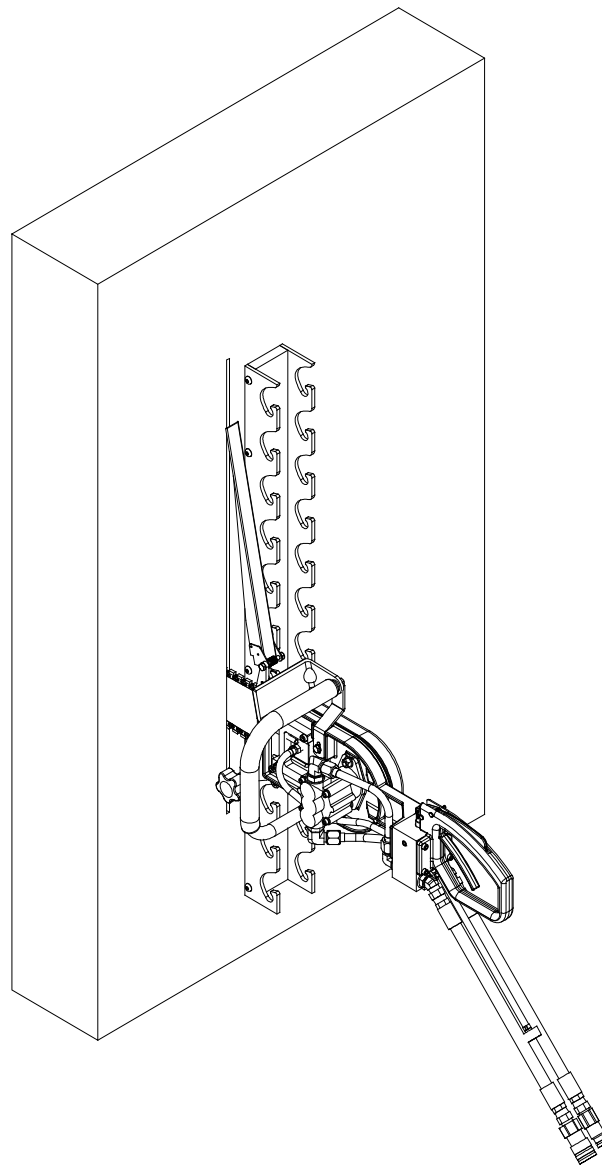
**Figure 7-3B.**  
**C150 Cast Assembly- Exploded view**



**Figure 7-4.**  
**C150 Cast Assembly**

**RGC**<sup>®</sup>  
**REIMANN & GEORGER CORP.**  
**HOISTING - MARINE - CONSTRUCTION**

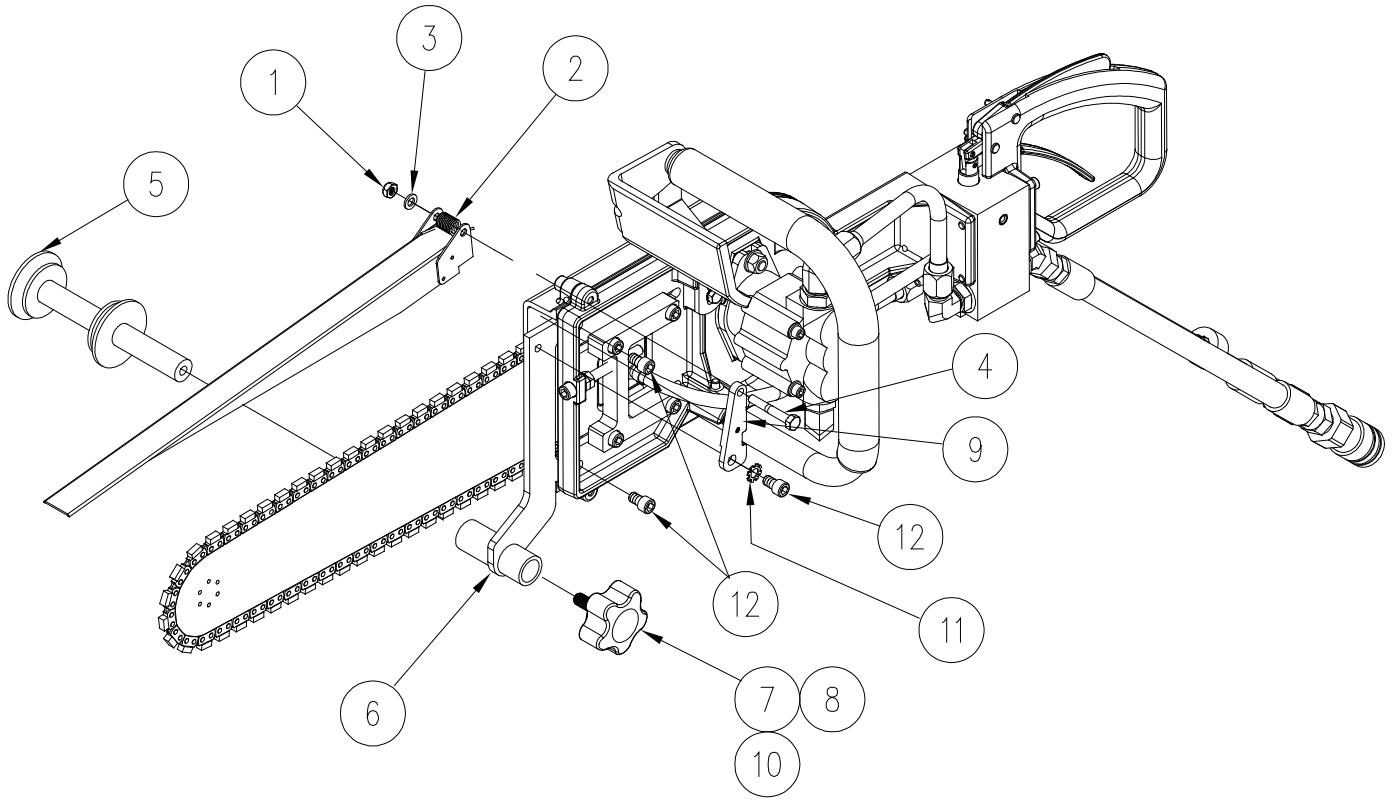
# C150 CAST SPEEDHOOK



## 5 PARTS LIST

Each item number on this parts list can be matched with the item number shown on the Figure 5-1 assembly drawing.

Item Number	Part Number	Quantity	Description
1	5806366	1	NUT HEX TOPLOCK 1/4-20 CZP
2	1970551	1	SPLASH GUARD
3	5806393	1	WASHER FLAT SAE 1/4 CZP
4	5806210	1	HHCS 1/4-20 X 1-3/4 CZP
5	1970550	1	AXLE
6	1900725	1	MOUNTING BRACKET
7	5806401	1	WASHER
8	5806402	1	WASHER SPLIT LOCK
9	1970555	1	GUARD BRACKET
10	1970559	1	KNOB
11	5806402	1	WASHER FLAT EXT TOOTH 5/16 CZP
12	5806307	3	SHCS 5/16-18 X 1/2
13	1970554	1	42" RAIL



**Figure 5-1**  
**C150 Speedhook Assembly Drawing**