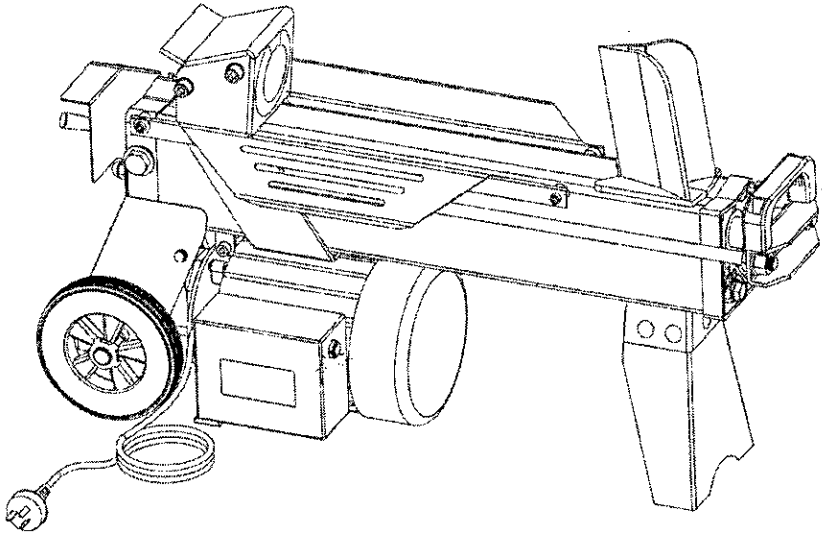




OPERATING & PARTS MANUAL

W1000

4-Ton Mini Electric Log Splitter

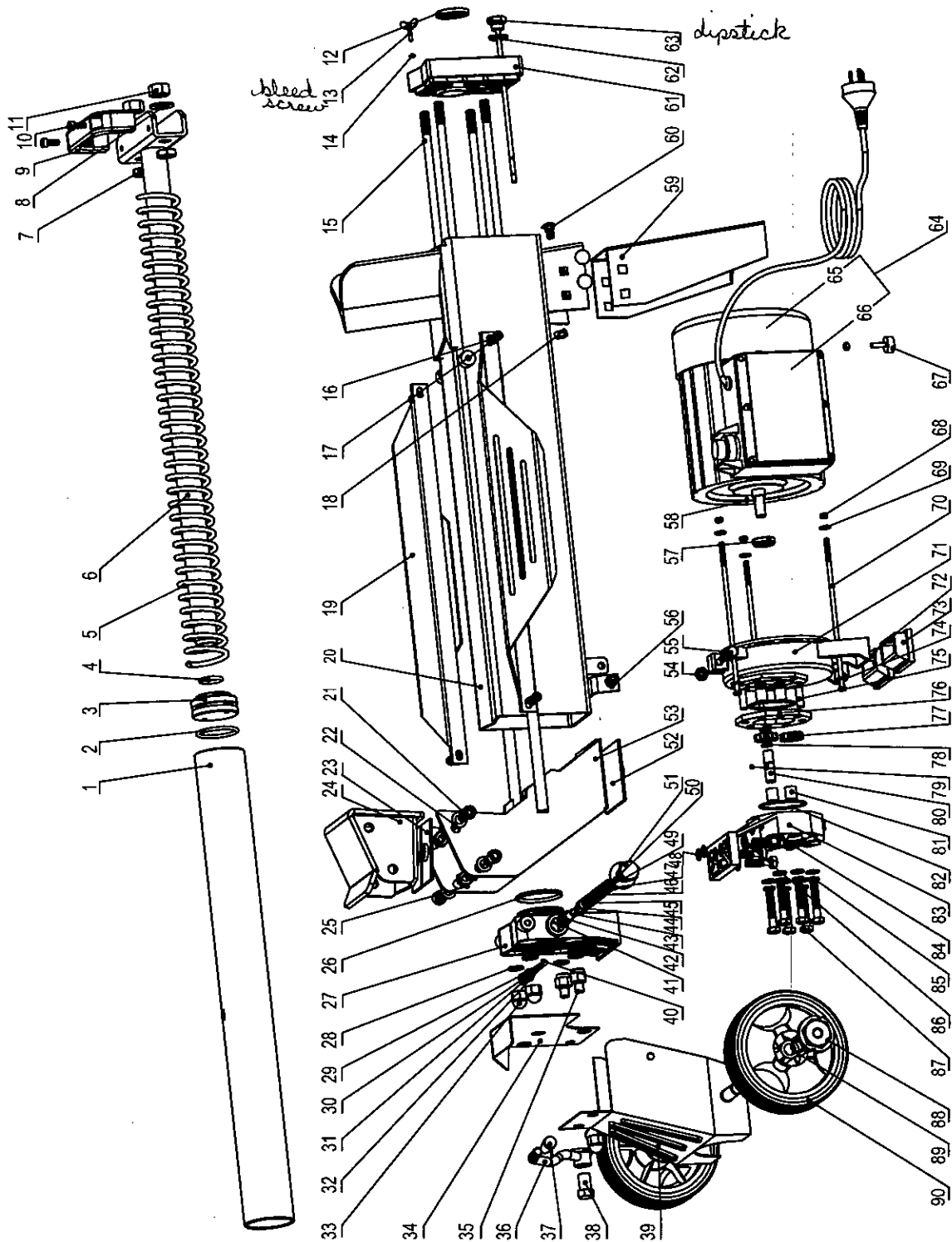


OMW1000
Rev. 9/27/06
© 2006 Ardisam, Inc.
All Rights Reserved. Printed in USA.

W1000 MINI ELECTRIC LOG SPLITTER BREAKDOWN

Earthquake

MINIMUM ORDER \$10.00



W1000 MINI ELECTRIC LOG SPLITTER PARTS LIST



Key #	Part #	Description	Qty.	Key #	Part #	Description	Qty.
1	300101	CYLINDER	1	46	300146	O-RING	5
2	300102	O-RING, PISTON	1	47	300147	O-RING	2
3	300103	PISTON	1	48	300148	SPRING, SLIDING SLEEVE	1
4	300104	O-RING	1	49	300149	SLEEVE, SLIDING	1
5	300105	SPRING	1	50	300150	WASHER	1
6	300106	POSITION ROD WELDMENT	1	51	300151	PLUG, VALVE	1
7	300107	NUT, M14	2	52	300152	INSERT, LOWER PLASTIC	1
8	300108	WASHER	2	53	300153	DRAWING WELDMENT	1
9	300109	HANDLE, ABS MOVING	1	54	300154	NUT, LOOSE M8	1
10	300110	BOLT, HEX M6X16	2	55	300155	BOLT, HEX M8X35	1
11	300111	NUT, M14	2	56	300156	WASHER	2
12	300112	SEAL, PLASTIC	1	57	300157	SEAL, MOTOR SHAFT	1
13	300113	SCREW, WING/BLEED	1	58	300158	BALL, STEEL 2.5	1
14	300114	O-RING	1	58 ⁶⁰	300159	BOLT, CARRIAGE M8X12	5
15	300115	STUB, LONG	4	60 ⁵⁹	300160	LEG, SUPPORT	1
16	300116	BOLT, HEX M6X8	6	61	300161	COVER, RIGHT CYLINDER	1
17	300117	WASHER, SPRING	4	62	300162	GASKET, DIPSTICK	1
18	300118	NUT, M8	5	63	300163	DIPSTICK	1
19	300119	PLATE, SUPPORT	2	64	300164	MOTOR W/SWITCH	1
20	300120	FRAME, TUBE/TANK, OIL	1	65	300165	MOTOR	1
21	300121	BOLT, HEX M10X25	4	66	300166	BOX, SWITCH	1
22	300122	WASHER	4	67	300167	BOLT	1
23	300123	INSERT, UPPER PLASTIC	1	68	300168	NUT	1
24	300124	LOG PUSHER WELDMENT	1	69	300169	WASHER, SPRING	3
25	300125	NUT, M10	4	70	300170	BOLT	3
26	300126	O-RING	1	71	300171	COVER, MOTOR	1
27	300127	COVER, LEFT CYLINDER	1	72	300172	SHOE, LEFT MOTOR SUPPORT	1
28	300128	GASKET, COPPER	4	73	300173	SHOE, RIGHT MOTOR SUPPORT	1
29	300129	SPRING, SAFETY VALVE	1	74	300174	WASHER	9
30	300130	SCREW, M8X8	1	75	300175	PIN	2
31	300131	BOLT, SAFETY VALVE	1	76	300176	BODY, GEAR	1
32	300132	O-RING	1	77	300177	GEAR	2
33	300133	NUT, ROUND HD M10	3	78	300178	WASHER, SNAP GEAR SHAFT	2
34	300134	GUARD, LEVER	1	79	300179	PIN	1
35	300135	NUT	2	80	300180	SHAFT, GEAR	1
36	300136	LEVER WELDMENT	1	81	300181	BEARING, SLIDING	4
37	300137	HEAD, LEVER	1	82	300182	O-RING	2
38	300138	NUT, LEVER	1	83	300183	COVER, PUMP	1
39	300139	WHEEL FRAME PLATE WELDMENT	1	84	300184	BOLT	3
40	300140	BALL, STEEL 6	1	85	300185	WASHER, SPRING	9
41	300141	CIRCLIP	1	86	300186	WASHER	9
42	300142	SPRING, RESTORE VALVE	1	87	300187	BOLT	6
43	300143	ROD, VALVE	1	88	300188	COVER, WHEEL	2
44	300144	O-RING	1	89	300189	SNAP RING, WHEEL SHAFT	2
45	300145	SLEEVE, VALVE	1	90	300190	WHEEL	2