



Illustrated Parts Breakdown
Illustration des pièces détachées

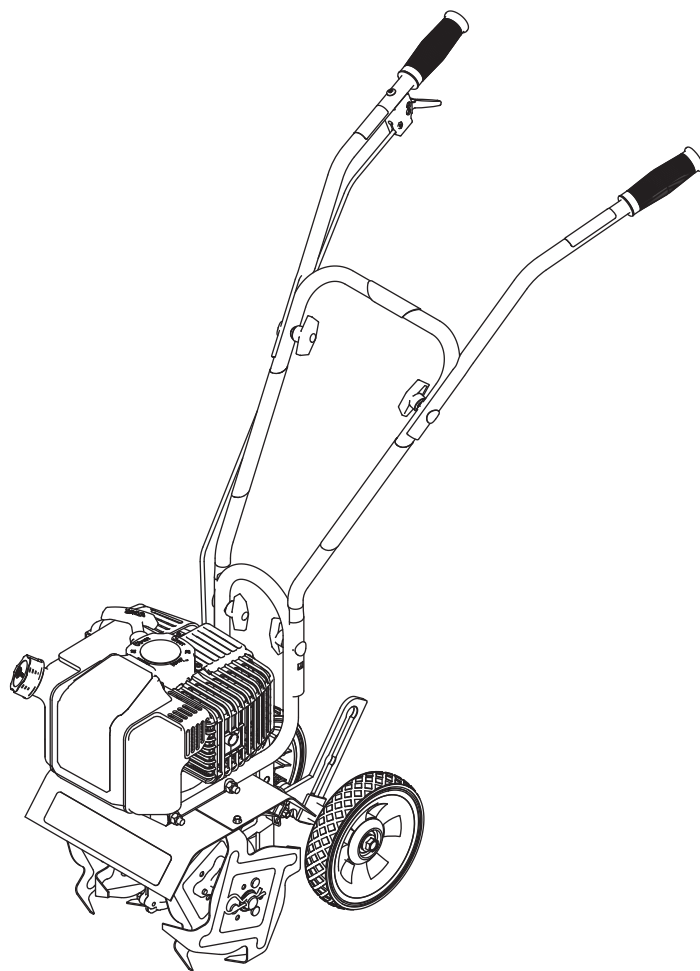
MC43™
2-Cycle Cultivator

Model Numbers, Numéros de modèle :
MC43

ENGLISH

FRANÇAIS

S/N

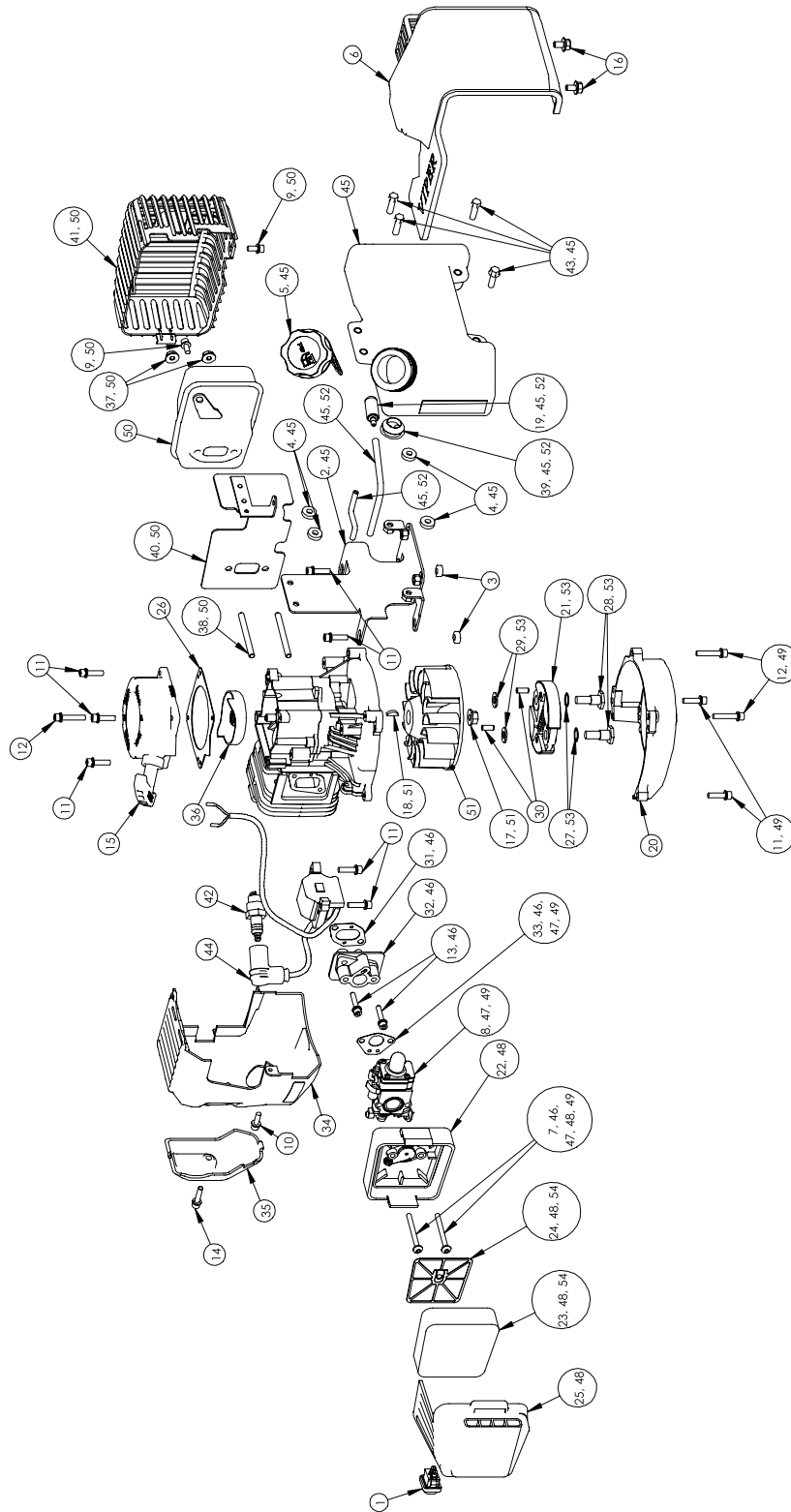


Includes Model:
Inclut le modèle, Incluye el modelo

MC43

© 2020 Ardisam
All Rights Reserved
Tous droits réservés
P/N: 35569
ECN: 12691
REV 2: 10/29/2019

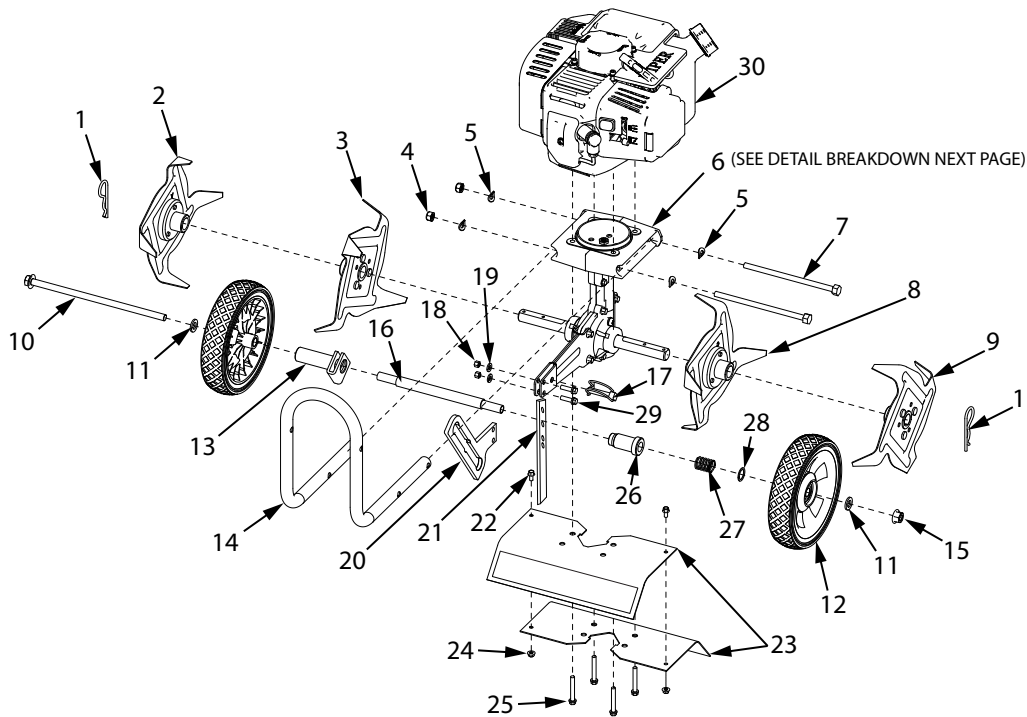
ILLUSTRATED PARTS BREAKDOWN / ILLUSTRATION DES PIÈCES DÉTACHÉES - Engine Assembly



REF. / REP.	PART NO. / N° RÉF.	DESCRIPTION	QTY. / QTÉ
1	1021	ROCKER SWITCH	1
2	10682	GAS TANK MOUNT	1
3	11189	SPACER M5X5 MM STEEL	2
4	11190	SPACER M5X4 MM NYLON	4
5	11936	GAS CAP	1
6	300332	GAS TANK SHROUD	1
7	15209	BOLT M5X52 MM W/WASHER PHILLIPS	2
8	15261	CARBURETOR	1
9	17888	BOLT M5X12 MM W/WASHER SOCKET	2
10	17945	BOLT M5X16 MM W/WASHER SOCKET	1
11	17946	BOLT M5X20 MM W/WASHER SOCKET	9
12	17952	BOLT M5X28 MM W/WASHER SOCKET	3
13	28572	BOLT M5X25 MM W/WASHER SOCKET	2
14	30306	BOLT M5X22 MM W/WASHER SOCKET	1
15	30013	RECOIL ASSEMBLY	1
16	300336	BOLT M6X10 MM FLANGE	2
17	300337	NUT M8 FLANGE	1
18	300338	KEY FLYWHEEL	1
19	3004103	FUEL FILTER	1
20	300487	MOUNT RING AND SHROUD	1
21	300413	CLUTCH ASSEMBLY WITH HARDWARE	1
22	3004150	AIR FILTER BASE	1
23	3004156	FOAM AIR FILTER	1
24	3004157	REINFORCEMENT PLATE	1
25	3004158	AIR FILTER COVER	1
26	300429	RECOIL PLATE	1
27	300449	WASHER M10 SPRING	2
28	300450	BOLT M8 SHOULDER	2
29	300462	WASHER M8	2

REF. / REP.	PART NO. / N° RÉF.	DESCRIPTION	QTY. / QTÉ
30	300467	DOWL PIN 5MM	2
31	300476	INTAKE GASKET	1
32	300478	WINDPIPE INTAKE	1
33	300479	CARBURETOR GASKET	1
34	300482BLK	ENGINE SHROUD BLACK	1
35	300483	COVER ENGINE SHROUD BLACK	1
36	300491	RECOIL CLUTCH	1
37	300492	NUT M6 FLANGE	2
38	300493	STUD M6X62 MM	2
39	300494	GROMMET FUEL TANK TWO HOLE	1
40	31760	MUFFLER HEAT SHIELD	1
41	31762	MUFFLER GUARD	1
42	35906	SPARK PLUG TORCH L7RTC	1
43	4647	BOLT M6X18 MM FLANGE	4
44	26579	IGNITION COIL	1
45	10683	KIT GAS TANK WITH FUEL LINES, GROMMET, FUEL FILTER, AND GAS CAP	1
46	11205	KIT INTAKE MANIFOLD	1
47	11334	KIT CARBURETOR REPLACEMENT	1
48	11350	KIT AIR FILTER ASSEMBLY	1
49	3004114	KIT CARBURETOR REPAIR	1
50	33350	KIT MUFFLER REPLACEMENT	1
51	11209	KIT FLYWHEEL	1
52	3004105	KIT FUEL LINES AND GROMMET	1
53	11235	KIT CLUTCH REPLACEMENT	1
54	11349	KIT AIR FILTER BLOCK REPLACEMENT	1

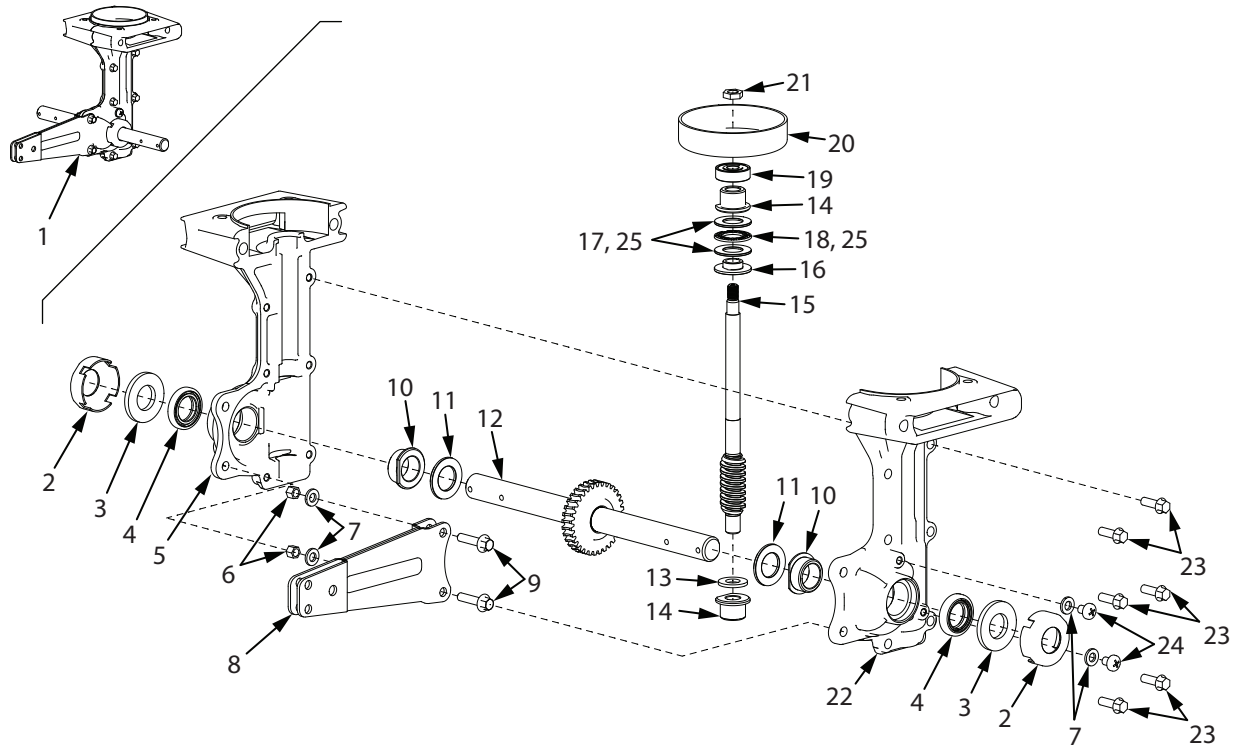
ILLUSTRATED PARTS BREAKDOWN / ILLUSTRATION DES PIÈCES DÉTACHÉES - Hood, Tines & Wheels



REF. / REP.	PART NO. / N° RÉF.	DESCRIPTION	QTY. / QTÉ
1	4652	HAIR PIN, 5/8-3/4 INCH COTTER	2
2	4601	TINE "A" RIGHT OUTSIDE	1
3	4603	TINE "B" RIGHT INSIDE	1
4	400023	NUT M8 NYLOCK	2
5	4641	WASHER M8 CURVED	4
6	26013	TRANSMISSION ASSEMBLY	1
7	46141	BOLT M8 X 1.25 X 155 HEX FLANGE	2
8	4602	TINE "C" LEFT INSIDE	1
9	4604	TINE "D" LEFT OUTSIDE	1
10	4687	BOLT M10 X 1.5 X 231 HEX FLANGE	1
11	2431	WASHER M10 NARROW FLAT	2
12	13189	WHEEL 180 X 38 MM DIAMOND TREAD GREY HUB	2
13	4678	GUIDE WHEEL TUBE	1
14	15104	HANDLEBAR LOWER	1
15	4629	NUT M10 X 1.5 CENTER LOCK HEX	1
16	4674	WHEEL TUBE	1

REF. / REP.	PART NO. / N° RÉF.	DESCRIPTION	QTY. / QTÉ
17	18039	PIN LOCK 8MM X 40MM	1
18	4650	NUT M6 NYLOCK	2
19	W1200117	WASHER M6 X 13 X 1.75 FLAT	2
20	4673	WHEEL HOLDER	1
21	4600	Drag Stake	1
22	176	BOLT M5 X 0.8 X 10 HEX FLANGE	2
23	23441	TINE SHIELD	2
24	400020	NUT M5 X 0.8 NYLOCK FLANGE	2
25	4625	BOLT M6 X 1.0 X 42 HEX FLANGE	4
26	4684	TUBE WHEEL LOCK	1
27	4685	SPRING WHEEL LOCK	1
28	13230	WASHER 21 X 16 X 1 MM	1
29	46142	BOLT M6 X 1.0 X 15 HEX FLANGE	2
30	23433	ENGINE MC43 VIPER	1

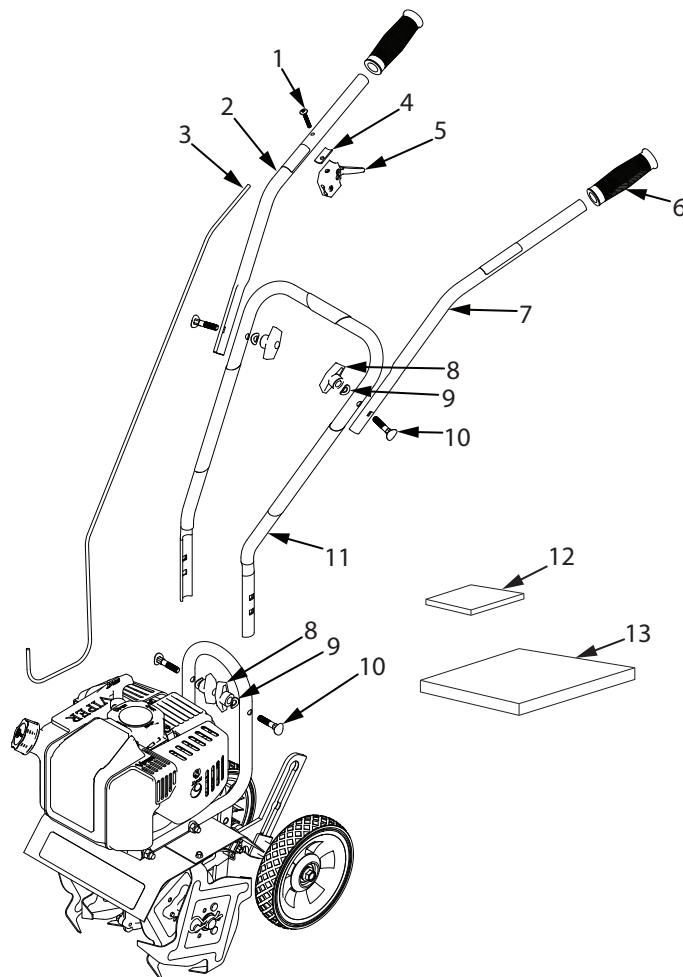
ILLUSTRATED PARTS BREAKDOWN / ILLUSTRATION DES PIÈCES DÉTACHÉES - Transmission



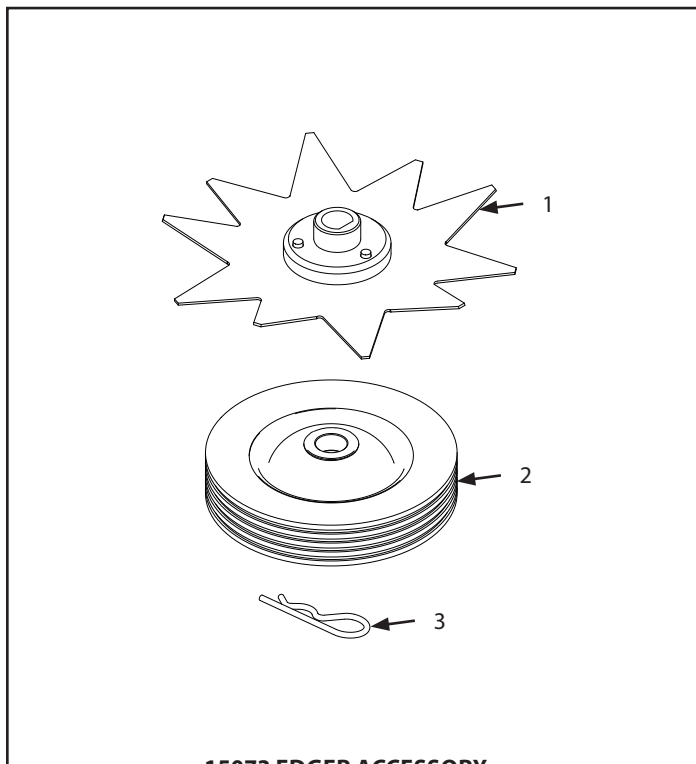
REF. / REP.	PART NO. / N° RÉF.	DESCRIPTION	QTY. / QTÉ
1	26013	TRANSMISSION ASSEMBLY	1
2	46144	DUST CAP	2
3	4606	FIBER WASHER	2
4	4646	TINE SHAFT SEAL	2
5*	---	TRANSMISSION CASTING LEFT	1
6	4650	NUT M6 NYLOCK	2
7	W1200117	WASHER M6 X 12 X 1 MM	4
8	4633	WHEEL & DRAG STAKE MOUNT	1
9	13600	BOLT M6 X 1.0 X 25 HEX FLANGE	2
10	25159	TINE SHAFT BUSHING STEEL	2
11	4610	TINE SHAFT SHIM	2
12	4651	GEAR AND TINE SHAFT ASSY	1
13	4616	BUSHING SPACER	1
14	4614	DRIVE SHAFT BUSHING BRONZE	2
15	21953	DRIVE SHAFT	1

REF. / REP.	PART NO. / N° RÉF.	DESCRIPTION	QTY. / QTÉ
16	4617	THRUST BEARING REDUCER	1
17	4618	THRUST WASHER	2
18	4619	THRUST BEARING CAGE	1
19	4623	BALL BEARING 9 X 26 X 8 MM	1
20	300414	CLUTCH DRUM	1
21	4620	JAM NUT M8	1
22*	---	TRANSMISSION CASTING RIGHT	1
23	4647	BOLT M6 X 1.0 X 18 HEX FLANGE	6
24	13447	BOLT M6 X 1.0 X 8 PHILLIPS	2
25	4615	KIT THRUST BEARING SET	1
* PURCHASE TRANSMISSION ASSEMBLY 26013			

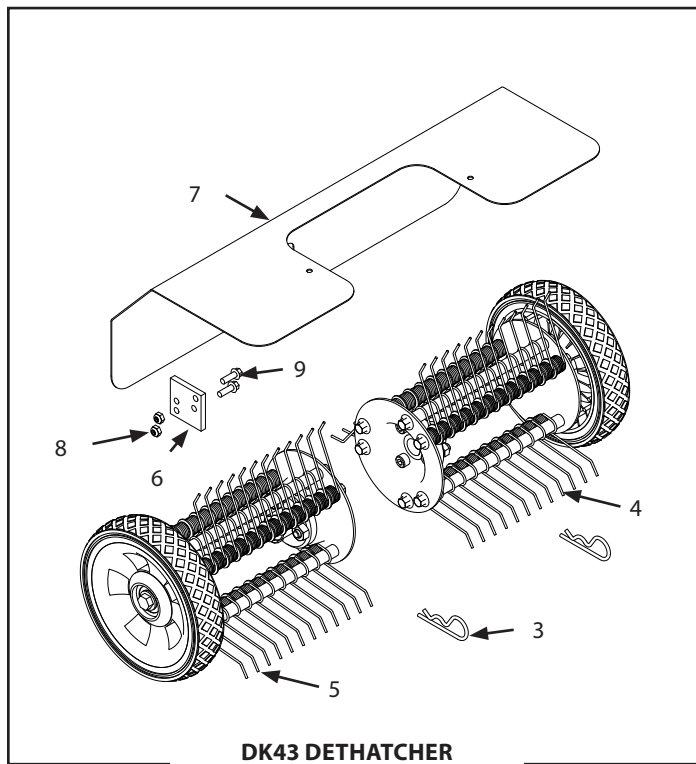
ILLUSTRATED PARTS BREAKDOWN / ILLUSTRATION DES PIÈCES DÉTACHÉES - Handlebar



REF. / REP.	PART NO. / N° RÉF.	DESCRIPTION	QTY. / QTÉ
1	4814	BOLT 10-24 X 1-1/4 PHILLIPS	1
2	23442	HANDLEBAR UPPER RIGHT	1
3	14645	THROTTLE CABLE	1
4	12633	RUBBER PAD	1
5	4809	TRIGGER ASSEMBLY SHORT THROW	1
6	4639	HANDLEBAR GRIP	2
7	23443	HANDLEBAR UPPER LEFT	1
8	4640	T-HANDLE NUT	4
9	4641	CURVED WASHER	4
10	4642	SADDLE BOLT	4
11	4693	HANDLEBAR MIDDLE	1
12	12621	HANDLEBAR PARTS PACKET	1
13	23434	MANUAL PARTS BAG	1



15073 EDGER ACCESSORY



DK43 DETHATCHER ACCESSORY

REF. / REP.	PART NO. / N° RÉF.	DESCRIPTION	QTY. / QTÉ
1	15009	BORDER EDGER TINE	1
2	46131	BORDER EDGER WHEEL	1
3	46134	HAIRPIN	3
4	4707	DETHATCHER ASSY LEFT	1
5	4708	DETHATCHER ASSY RIGHT	1
6	4676	EXTENSION PLATE	1
7	4710	DETHATCHER SHIELD	1
8	4650	NUT M6 NYLOCK	2
9	4647	BOLT M6 X 1 X 18 MM HEX	2