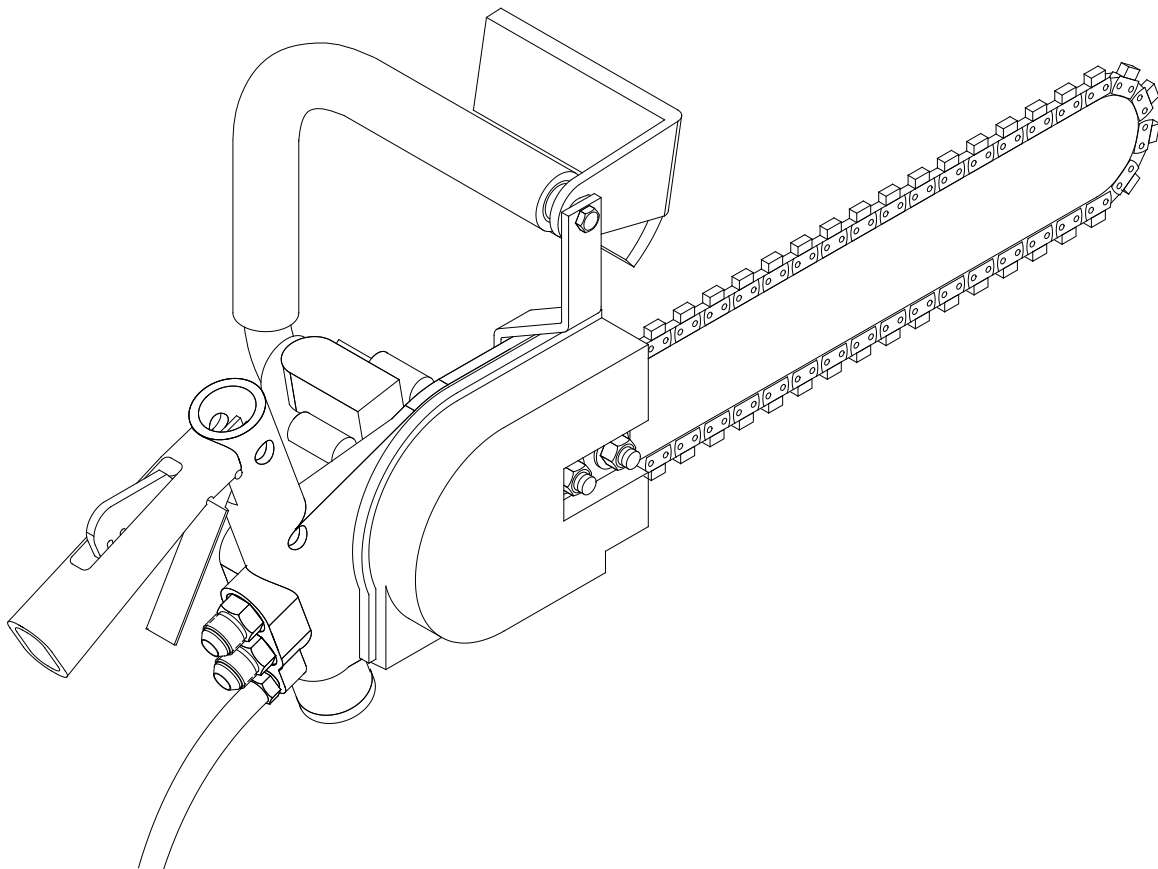


RGC[®]
REIMANN & GEORGER CORP.
HOISTING - MARINE - CONSTRUCTION

8 GPM C50 HYDRACUTTER INSTRUCTIONS



7 PARTS LIST

The following parts list applies to the 8gpm C50 HydraCutter only. The parts list for the hydraulic power source is in the separate manual supplied for this item. Each item number on the following parts list can be matched with the item number shown on the Figure 7-1, 7-2, & 7-3 assembly drawings.

Item Number	Part Number	Quantity	Description
1	1911200	1	MAIN FRAME ASSEMBLY INCLUDES ITEM NUMBERS 2-18 BELOW:
2	7404608	1	QUAD RING Q4016-366Y
3	6004625	1	VALVE HYD 3 PORT- SPOOL
4	6004627	1	VALVE HYD 3 PORT- SPOOL RETAINER
5	5804653	1	SCREW SHCS 8-32 X 1/2
6	5804641	1	SPRING COMPRESSION
7	5804654	1	SPRING COMPRESSION
8	6011943	1	VALVE BODY COVER
9	5811925	2	ROLL PIN 3/16 X 1-1/8 CZP
10	5806790	2	ROLL PIN 5/32 X 1/2
11	7404628	2	QUAD RING Q4111-366Y
12	5804680	4	ADAPTER 9/16 SAEM- 3/4 JICM
13	6011946	1	TRIGGER HANDLE/ VALVE LINK
14	5811922	1	ROLL PIN 1/8 X 3/8 CZP
15	1911913	1	TRIGGER LOCK
16	5811931	1	SPRING COMPRESSION 5/16 OD X 1-3/8 X .031WIRE
17	1911910	1	TRIGGER LEVER
18	5811928	4	SCREW FLAT HD 8-32 X 1/2 PH CZP
19	1911215	1	CHAIN HYDRACUTTER COVER
20	1911210	1	AUX. HANDLE ASSY
21	5806202	2	HHCS 1/4-20 X 1/2" CZP
22	1911303	1	AUX. HANDLE MTG BAR
23	1911928	1	HAND GUARD
24	5807195	1	TRANTORQUE 9/16 X 1
25	6511958	1	HYD MOTOR MINI HYDRACUTTER
26	5806368	2	NUT CENTERLOCK 3/8-16 CZP
27	5806313	2	3/8-16 X 1" SOC FLAT HD SCREW CZP
28	1911931	2	MINI-SAW MTG STUD 3/8-16 X 1.69"
29	5819975	2	NUT FLANGED 3/8-16 CZP (NON-SERR)
30	5806206	1	HHCS 1/4-20 X 3/4 LG CZP
31	1697502	2	1/2" X 12" HOSE WHIP
32	6711964	1	CHAIN DRIVE SPROCKET 9-TOOTH
33	5804684	2	ADAPTER 90 DEGREE 3/4 SAEM- 3/4 JICM
34	6011937	1	TUBE ASSY- PRESSURE
35	6011940	1	TUBE ASSY- RETURN

36	1911309	1	SPLASH GUARD MTG CLAMP
37	6001885	1	COUPLING MALE
38	6001886	1	COUPLING FEMALE
39	5806317	1	SHCS 1/4-20 X 3/4
40	6411952	1	SPLASH GUARD 3/16 X 8 X 8
41	5600966	1	HOSE FITTIG 1/4 NPTM X 1/4 BARB
42	5607162	1	FITTING 3/4 GHF X 1/4 BARB
43	5901820	1 FT	HOSE 1/4" PUSH LOCK "BLACK"
44	1911312	1	SPLASH GUARD MTG BRACKET
45	5811937	1	PAN HEAD SCREW 10-32 X 2-1/2 PHIL
46	7404780	1	FELT GASKET 1/2 X 1-1/4 X 1/4
47	5806111	1	NUT HEX NYLOCK 10-32 SS
48	1911922	1	CHAIN BAR TENSIONER
49	5819930	2	SCREW FLAT HD 8-32 X 3/4 PH CZP
50	5894103	2	NUT HEX NYLOCK 8-32 SS
51	5611235	1	ADAPTER 90D 1/4 TUBE PUSH-TO-CONN X 1/4NPTM
52	5620869	1	ADAPTER 90D 1/4 TUBE PUSH-TO-CONN X 1/8NPTM
53	5920843	.8FT	HOSE POLYETHYLENE 1/4 OD
54	5806393	3	WASHER FLAT SAE 1/4" CZP
55	5806406	2	WASHER FLAT SAE 3/8" CZP
56	5806241	2	SCREW PH MS 1/4-20X1/2 PHIL SS

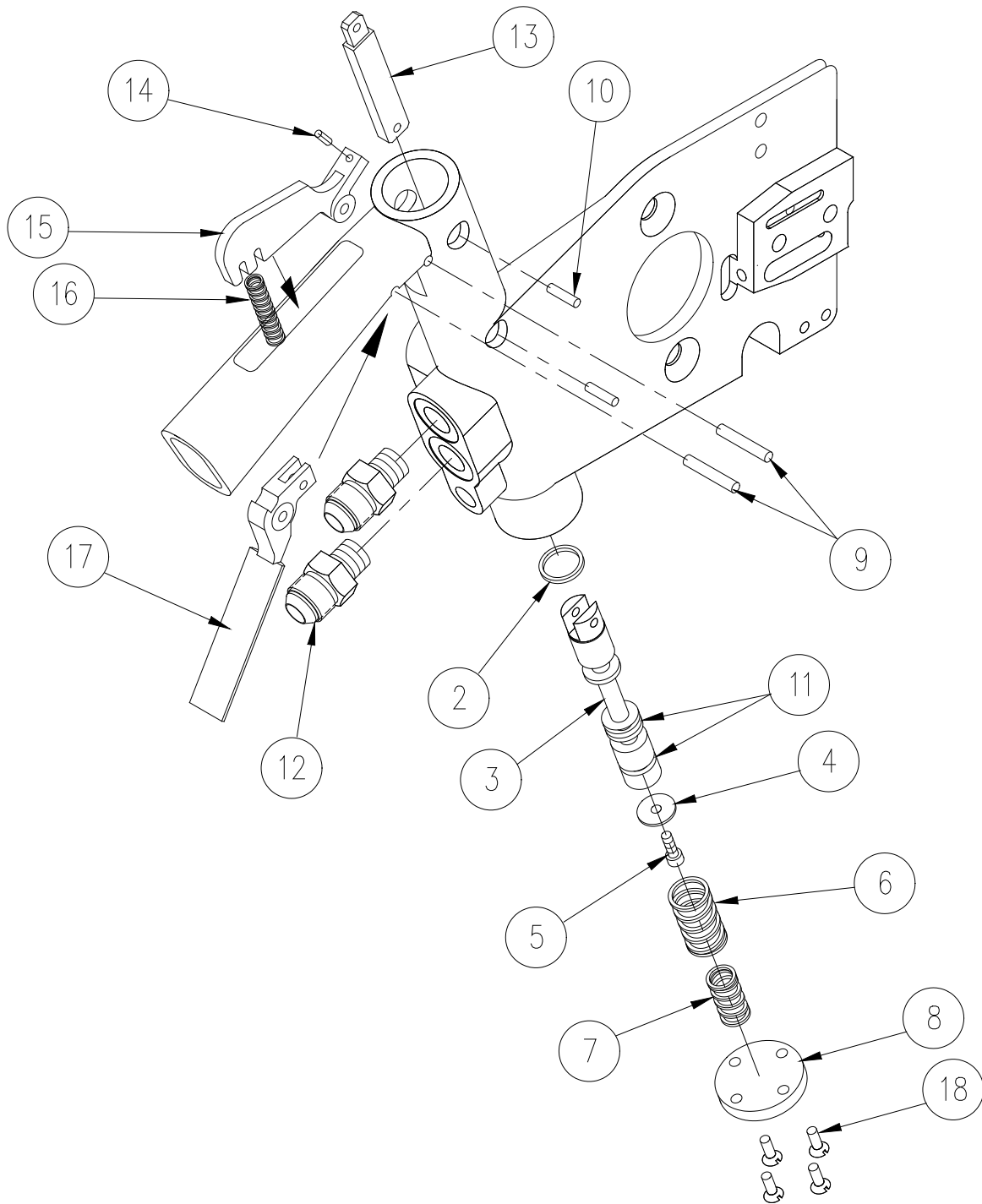


Figure 7-1.
C50 Hydracutter Main Frame & Valve Assembly

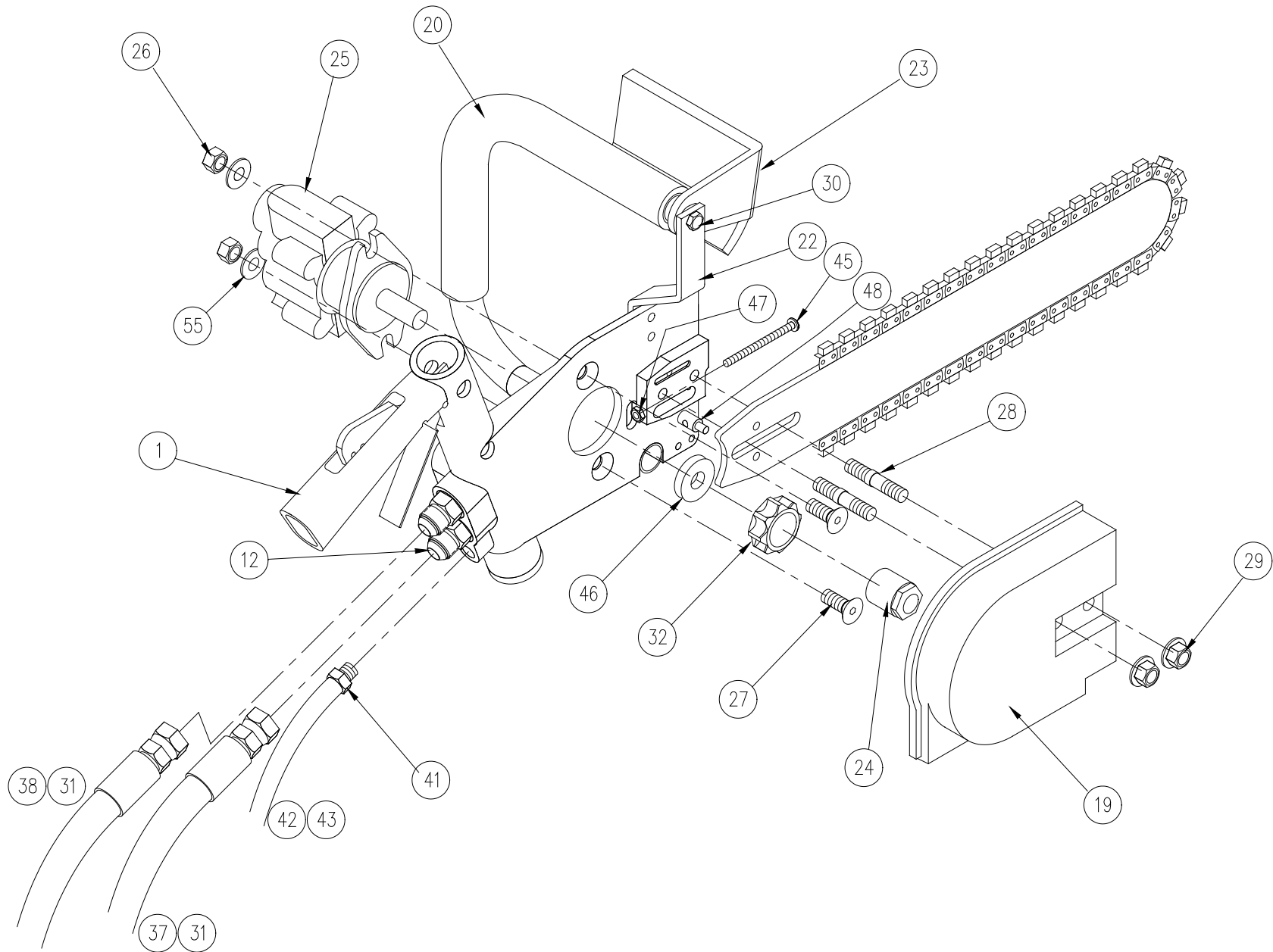


Figure 7-2.
C50 Hydracutter Assembly – Bar Side

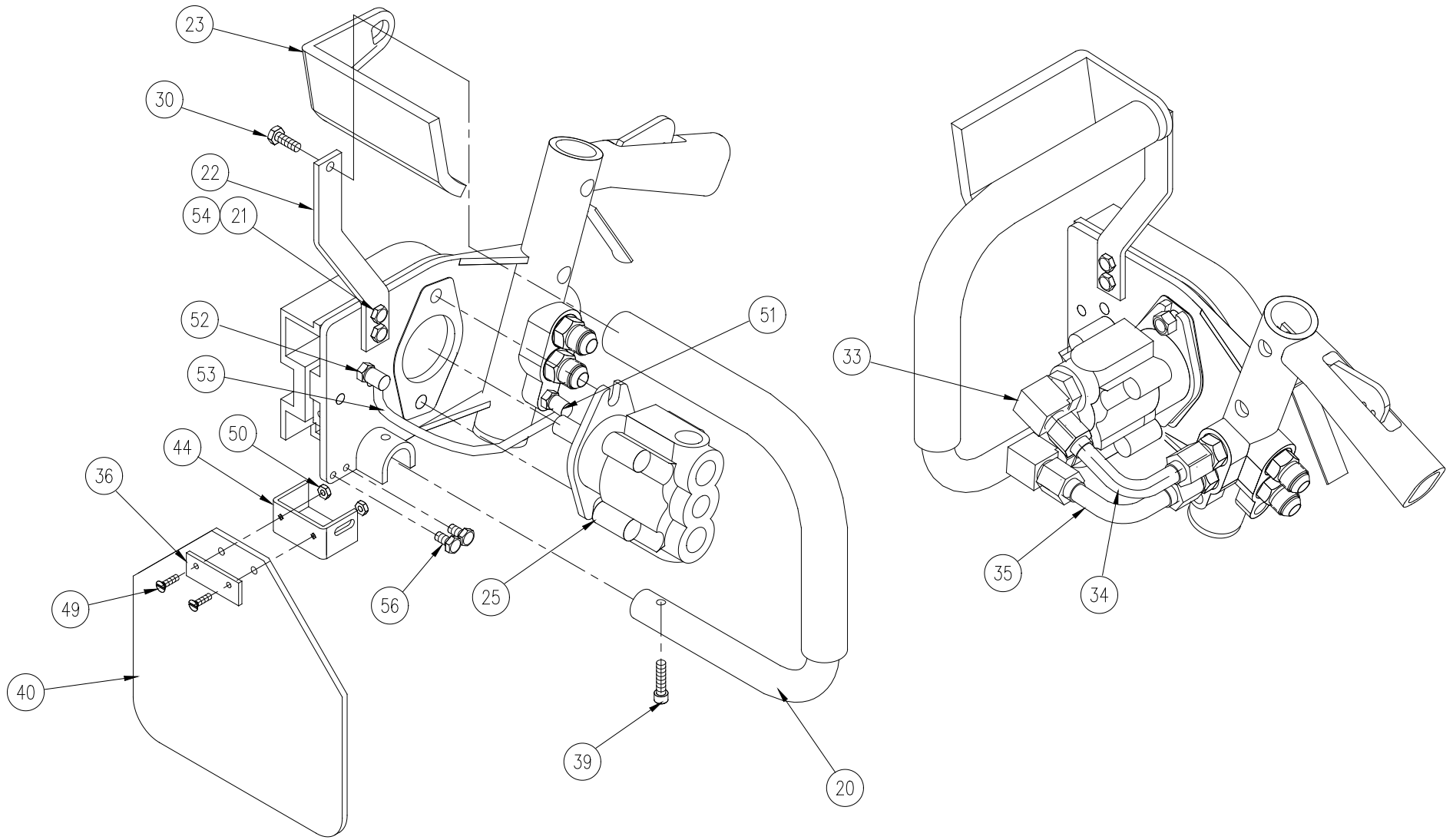


Figure 7-3.
C50 Hydracutter Assembly- Motor Side