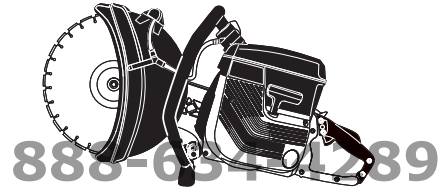


PARTNER

ConstructionParts.com



IPL, K 650 Active III, K 700 Active III, 2003-04, 106 27 55-64

ConstructionParts.com

*K 650 Active III
K 700 Active III*

Reservdelar

Spare parts

Ersatzteile

Pieces de rechange

Piezas de repuesto

Ricambi

*Peças
sobresselente*

ConstructionParts.com

888-634-4289

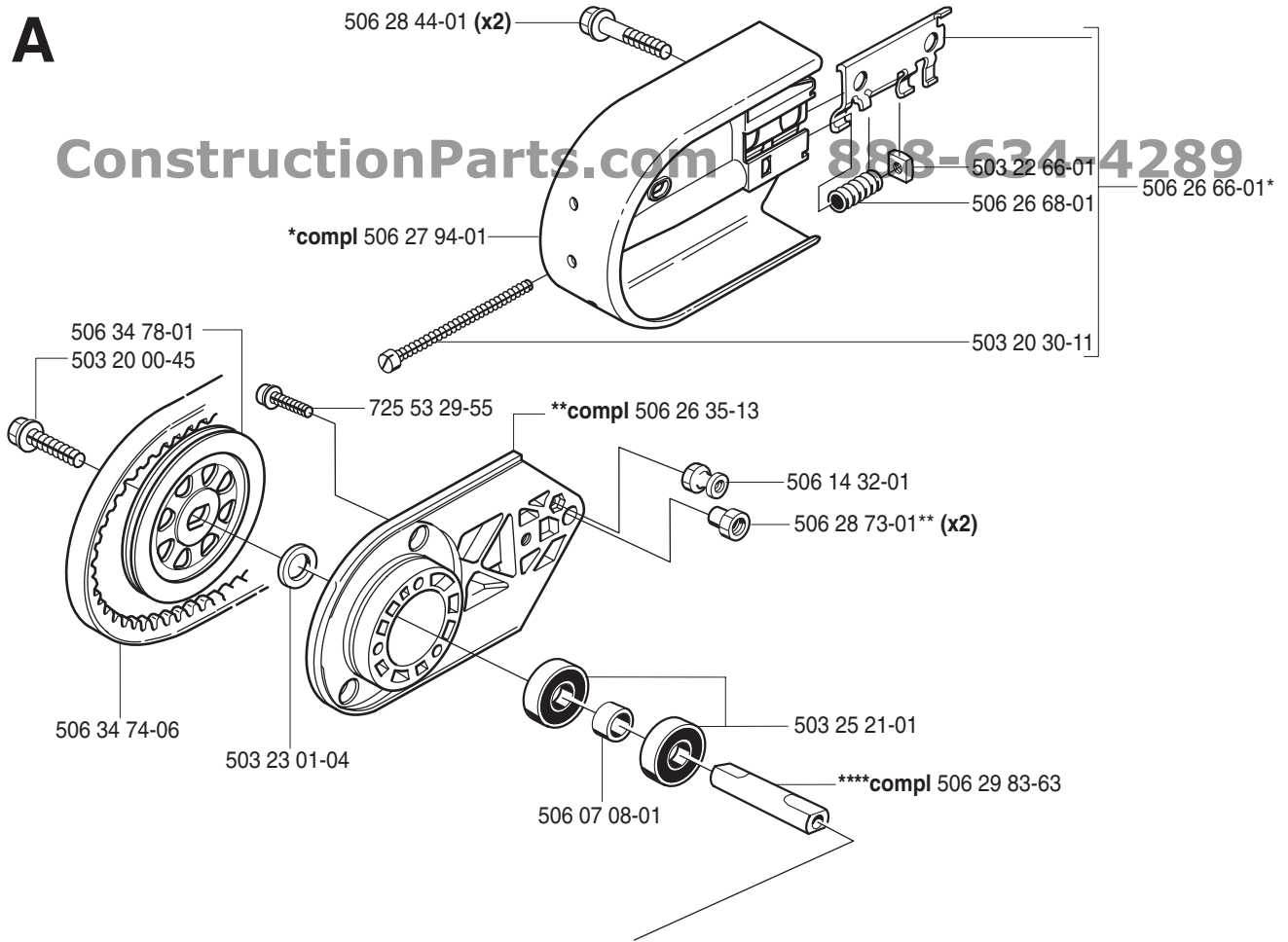
106 27 55-64

PARTNER®

No.	Pos.	Description	No.	Pos.	Description
501 22 02-01	N	Plug	503 41 18-02	J	Cable
501 22 03-01	N	Plug	503 49 10-01	D	Gasket
501 22 04-01	N	Ball	503 53 40-01	N	Nipple
501 22 05-01	N	Spring	503 55 22-01	D	Plug
501 22 08-01	N	Gasket	503 57 86-01	N	Ball
501 22 09-01	N	Diaphragm	503 57 87-01	N	Screw
501 22 12-01	N	Fuel pump diaphragm	503 57 89-01	C	Holder
501 22 13-01	N	Gasket, pump side	503 65 27-01	N	Screw
501 22 14-01	N	Cap	503 65 30-01	N	Washer
501 22 15-01	N	Screw	503 65 31-01	N	Washer
501 22 20-01	N	Lever	503 71 53-01	D	Valve decompr.
501 22 21-01	N	Shaft	503 74 43-01	C	Spring
501 22 24-01	N	Filter	503 74 44-01	C	Clutch
501 22 25-01	N	Spring	503 77 98-01	N	Valve
501 42 71-01	N	Bushing	503 84 50-01	J	Cable
501 48 50-01	N	Gasket	503 89 16-01	F	Spring
501 48 52-01	N	Screw	503 90 17-01	J	Ignition module
501 48 54-02	J	Spark plug conn. kit	504 35 72-01	C	Fuel filter
501 49 48-02	N	Diaphragm/gasket set	505 26 76-73	F	Spacer
501 63 48-01	J	Spring	505 26 94-27	F	Throttle rod
501 67 32-03	J	Pawl	505 27 75-16	J	Insulating cap
501 69 17-02	M	Comb. tool	505 27 90-60	L	Insul. flange
501 76 83-04	C	Hose	505 27 91-03	F	Throttle control
501 76 83-26	C	Hose, 245 mm	505 27 91-04	F	Throttle catch
501 81 99-01	J	Screw M5x14	505 27 95-11	F	Absorber
501 82 18-01	N	Retaining ring	505 29 56-14	F	Spring
503 12 79-02	H	Starter handle	505 30 23-33	E	Needle bearing
503 14 29-02	Q	Washer	505 30 24-15	C	Needle bearing
503 15 59-02	F	Bracket right	505 31 61-14	N	Shutter
503 20 00-01	F	Screw M6SF 5x20	505 31 64-95	N	Sealing ring
503 20 00-03	K	Screw M6SF 5x12	505 31 65-50	N	Needle
503 20 00-04	G	Screw M6SF 5x16	505 31 66-05	N	Spring
503 20 00-05	D	Screw M6SF 5x25	505 31 66-19	N	Throttle shaft
503 20 00-07	CG	Screw M6SF 5x40	505 34 11-62	D	Piston cpl 50 mm
503 20 00-08	CFG	Screw M6SF 5x30	506 02 87-01	B	Washer
503 20 00-10	F	Screw M6SF 5x55	506 02 88-30	B	Bushing
503 20 00-16	G	Screw M6SF 5x28	506 03 88-01	B	Warning label
503 20 00-43	D	Screw	506 03 95-20	B	Bushing
503 20 00-45	A	Screw	506 03 95-22	B	Bushing
503 20 02-12	B	Screw MC6SF 5x12	506 03 95-25	B	Bushing
503 20 02-16	Q	Screw MC6SF 5x16	506 07 08-01	A	Spacer
503 20 02-35	G	Screw MC6SF 5x35	506 07 11-13	C	Hose
503 20 02-90	K	Screw	506 09 56-02	P	Clamp
503 20 21-75	L	Screw	506 09 64-01	L	Gasket
503 20 25-20	J	Screw	506 09 90-01	D	Piston cpl 50 mm
503 20 30-11	A	Screw	506 09 92-12	D	Cylinder cpl
503 20 34-19	CGH	Screw	506 13 95-11	B	Washer
503 20 34-25	H	Screw	506 13 96-01	B	Screw
503 20 34-42	K	Screw	506 14 32-01	A	Catch
503 21 06-19	P	Screw	506 21 77-14	K	Cylinder cover
503 21 06-25	G	Screw	506 21 78-12	K	Filter holder
503 21 06-43	G	Screw	506 21 79-01	K	Filter cover
503 21 07-22	H	Screw	506 21 86-02	J	Flywheel compl.
503 21 28-10	FH	Screw	506 21 89-02	H	Starter housing
503 22 04-01	J	Lock nut	506 21 90-01	H	Air conductor
503 22 05-01	G	Nut	506 21 91-01	C	Grommet
503 22 65-04	FGQ	Nut	506 21 98-01	K	Air jet
503 22 66-01	A	Nut	506 22 23-01	K	Sealing
503 23 00-11	F	Washer 5.3x12	506 22 24-01	K	Sealing
503 23 00-42	JL	Washer	506 22 42-01	K	Air filter
503 23 00-73	C	Washer	506 22 44-01	F	Guide
503 23 01-04	A	Washer 15x21	506 22 45-01	F	Choke control
503 23 51-08	J	Spark plug RCJ7Y	506 22 48-01	F	Holder
503 25 00-01	CE	Ball bearing MFG SKF	506 22 63-01	K	Filter
503 25 21-01	A	Ball bear. 6202 DDU/C3	506 23 54-02	H	Decal
503 26 02-04	C	Sealing ring	506 23 61-01	C	Tank vent.
503 26 30-21	P	O-ring	506 23 83-01	N	Choke flap
503 28 90-17	D	Piston ring	506 23 93-01	K	Decal
503 40 13-02	F	Bracket left	506 24 37-13	D	Cylinder cpl
503 40 17-01	F	Contact spring	506 25 14-01	H	Washer

No.	Pos.	Description	No.	Pos.	Description
506 25 30-01	H	Spring	506 33 60-01	G	Support
506 25 59-32	C	Tank cap	506 33 61-01	G	Support
506 25 61-01	C	Tank unit	506 33 68-01	G	Spring mount
506 25 81-02	H	Starter pulley	506 33 69-01	G	Spring mount
506 25 82-01	K	Guard	506 33 94-01	C	Cap
506 25 89-01	H	Return spring	506 33 97-01	K	Decal
506 25 95-01	H	Starter device	506 33 97-02	K	Decal
506 26 28-01	F	Spring	506 33 98-01	C	Decal
506 26 30-02	F	Knob	506 34 05-12	B	Guard 12"
506 26 31-01	H	Sleeve	506 34 05-14	B	Guard 14"
506 26 35-13	A	Hausing	506 34 05-28	Q	Guard rescue 12"
506 26 41-01	C	Fuelfilter	506 34 06-01	D	Gasket
506 26 41-11	C	Fuel filter cpl	506 34 07-01	D	Deflector
506 26 63-02	BQ	Lining	506 34 28-02	C	Crankcase cpl
506 26 64-01	B	Ratchet plate	506 34 40-01	C	Gasket
506 26 65-01	B	Flange	506 34 46-01	BQ	Handle
506 26 66-01	A	Tensioner	506 34 56-01	C	Protector
506 26 68-01	A	Spring	506 34 66-01	N	Governor
506 26 85-01	L	Rubber seal	506 34 74-06	A	Belt
506 27 11-01	C	Fuel filter weight	506 34 78-01	A	Pulley
506 27 14-01	N	Screw	506 34 82-01	G	Clamp
506 27 56-01	N	Choke shaft	506 34 84-01	G	Handle
506 27 57-01	N	Felt seal	506 34 88-01	M	Gasket set
506 27 61-01	N	Cup	506 35 08-01	F	Handle right
506 27 84-31	K	Decal	506 35 09-11	F	Handle left half
506 27 84-32	K	Decal	506 35 10-01	E	Crankshaft
506 27 84-33	K	Decal	506 35 27-01	P	Spring
506 27 94-01	A	Cover	506 35 33-01	G	Absorber
506 28 39-30	K	Sealing	506 35 37-01	G	Support
506 28 40-02	B	Label	506 35 51-01	G	Handle wrap cpl
506 28 40-04	B	Label	506 35 69-04	D	Muffler
506 28 40-12	B	Label	506 35 81-01	C	Wheel cpl
506 28 40-14	B	Label	506 36 80-01	C	Spacer
506 28 44-01	A	Bolt	506 37 66-01	Q	Decal
506 28 73-01	A	Nut	720 13 07-10	C	Pin
506 28 84-01	B	Ratchet plate	721 42 58-20	F	Spring pin 4x24
506 29 21-01	C	Gasket	725 52 95-55	K	Screw MC6S 4x20
506 29 56-01	P	Nipple	725 53 29-55	B	Screw mc6s 5x16
506 29 57-01	P	Nipple	725 53 31-55	BQ	Screw mc6s 5x20
506 29 65-01	G	Absorber	735 58 18-00	F	Lock washer 2.4
506 29 75-02	Q	Handle	735 88 06-00	E	Woodruff key
506 29 76-01	Q	Harness	737 43 12-00	D	Retaining ring
506 29 83-63	A	Shaft	740 42 01-00	L	O-ring
506 29 88-01	P	Screen	740 43 13-00	H	O-ring
506 30 23-01	Q	Decal	740 48 07-03	C	O-ring
506 30 25-02	Q	Bracket			
506 30 40-11	Q	Decal			
506 30 40-12	Q	Decal			
506 30 40-13	Q	Decal			
506 31 15-01	N	Insert			
506 31 61-01	N	Cover			
506 31 74-01	C	Bushing			
506 31 77-11	P	Valve cpl			
506 31 88-01	L	Intake pipe			
506 31 96-01	G	Holder			
506 32 02-01	L	Gasket			
506 32 03-01	L	Gasket			
506 32 12-01	N	Repair kit			
506 32 15-02	LN	Carburetor cpl			
506 32 21-02	K	Decal			
506 32 22-01	Q	Decal			
506 32 48-01	B	Sleeve			
506 32 87-01	P	Y-tube			
506 32 89-03	P	Wet cutting kit			
506 32 91-01	C	Cutting arm			
506 33 16-01	C	Washer			
506 33 56-15	H	Starter rope			
506 33 57-01	G	Handle			
506 33 58-01	G	Support			
506 33 59-01	G	Support			

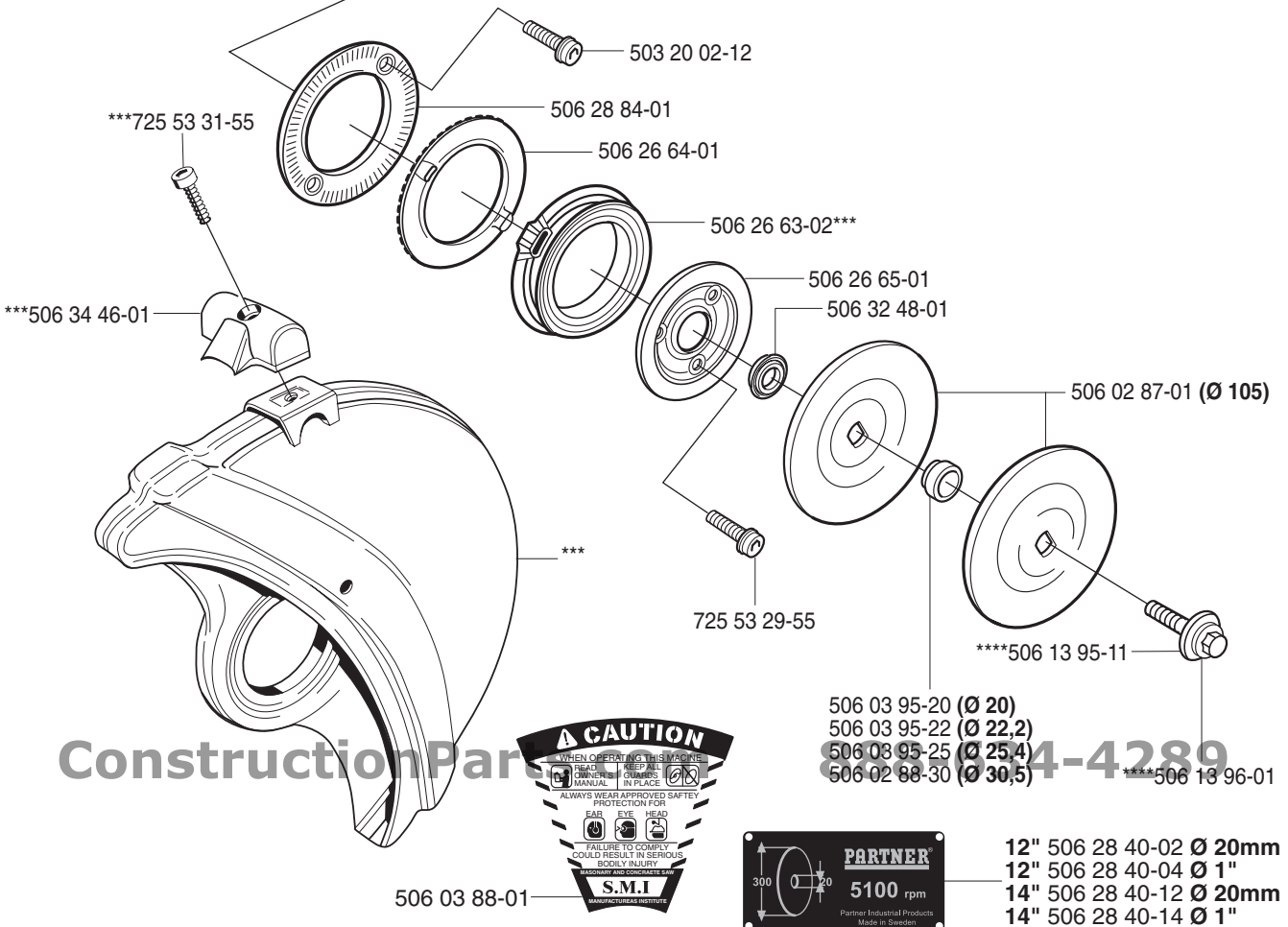
A



B

***compl 506 34 05-12 K650 (12")

***compl 506 34 05-14 K700 (14")

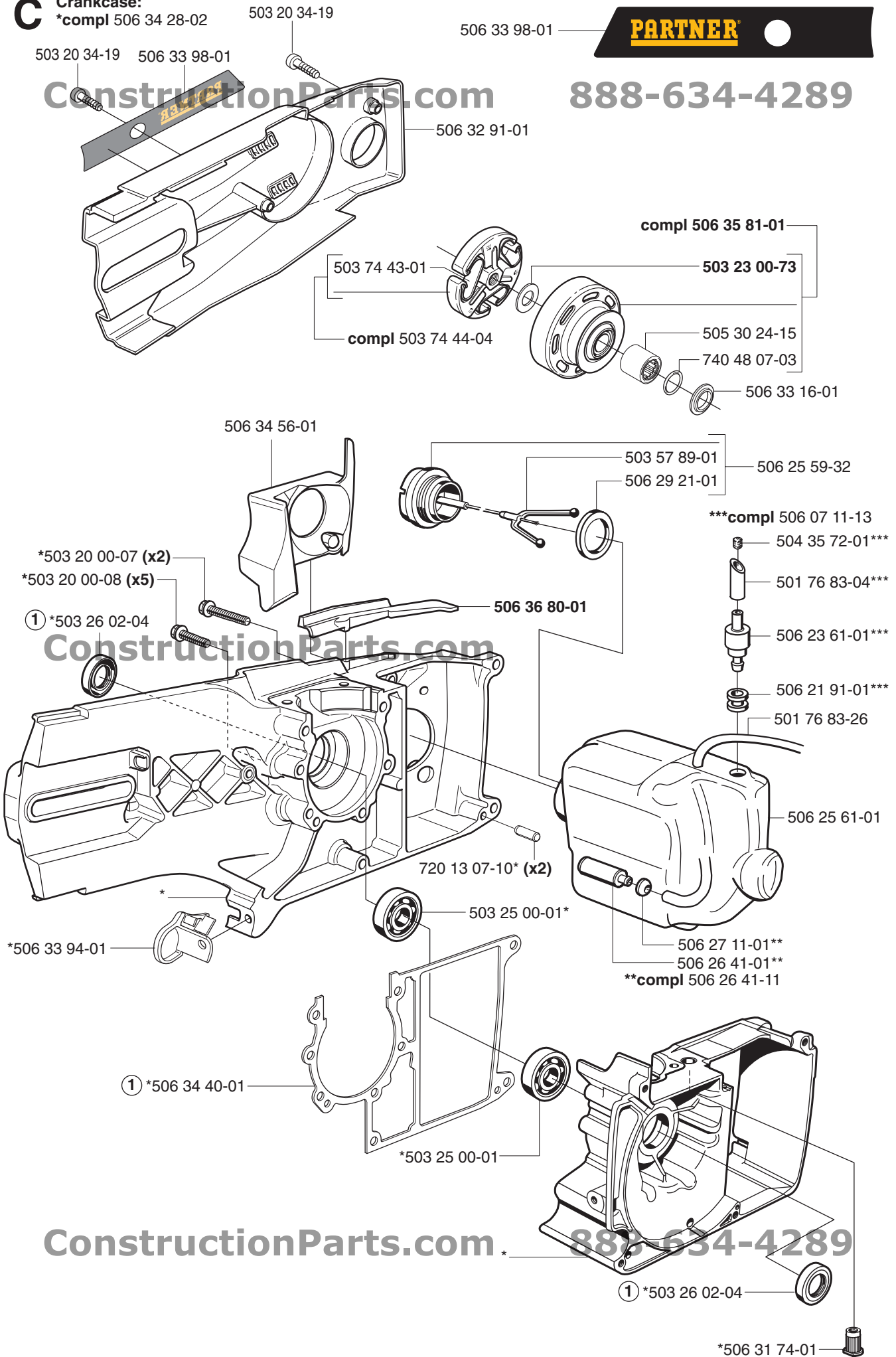


C Crankcase:
***compl 506 34 28-02**

PARTNER

ConstructionParts.com

888-634-4289

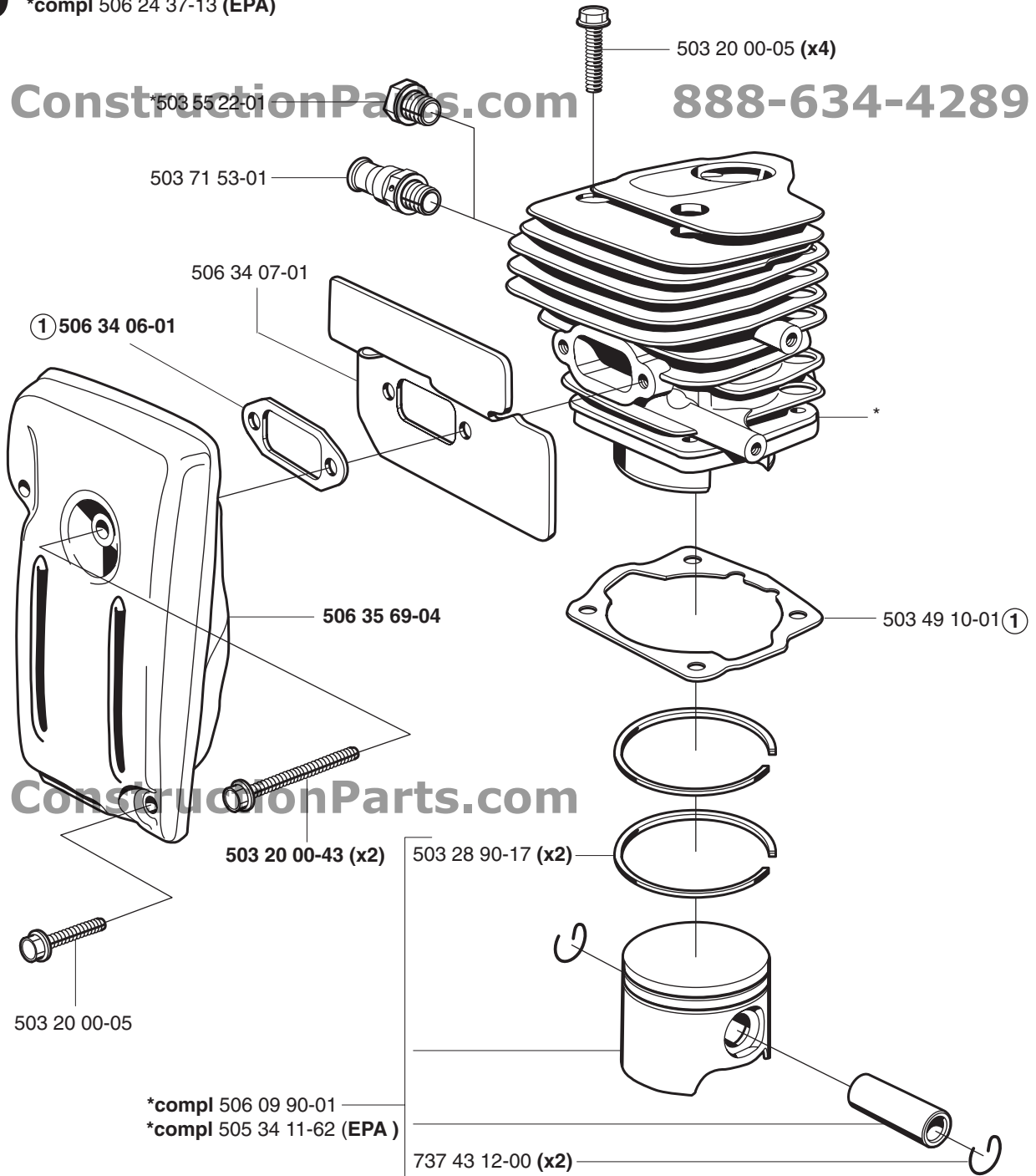


D

*compl 506 09 92-12
*compl 506 24 37-13 (EPA)

ConstructionParts.com

888-634-4289

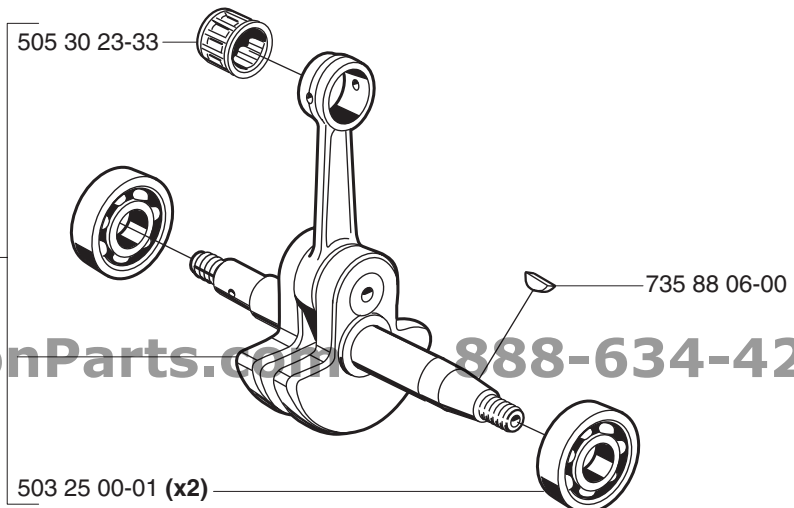


E

compl 506 35 10-01

ConstructionParts.com

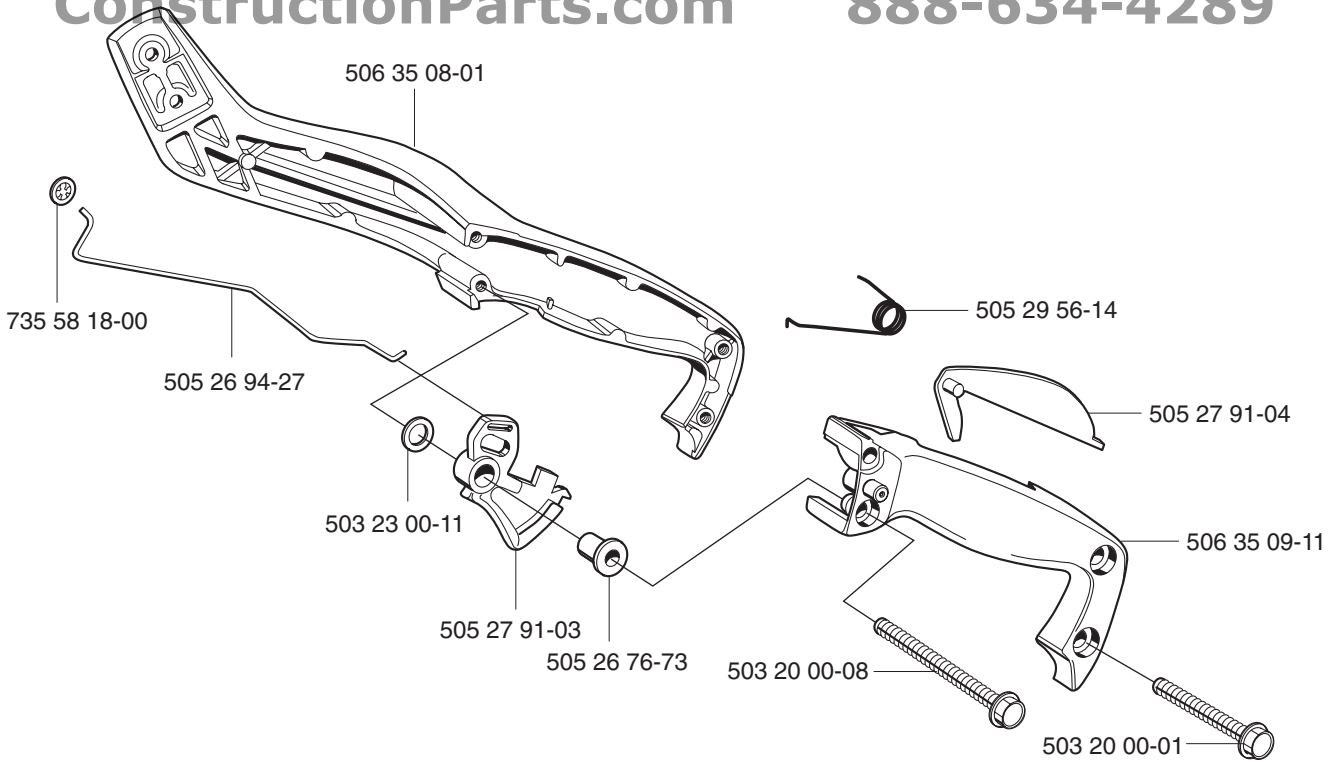
888-634-4289



F

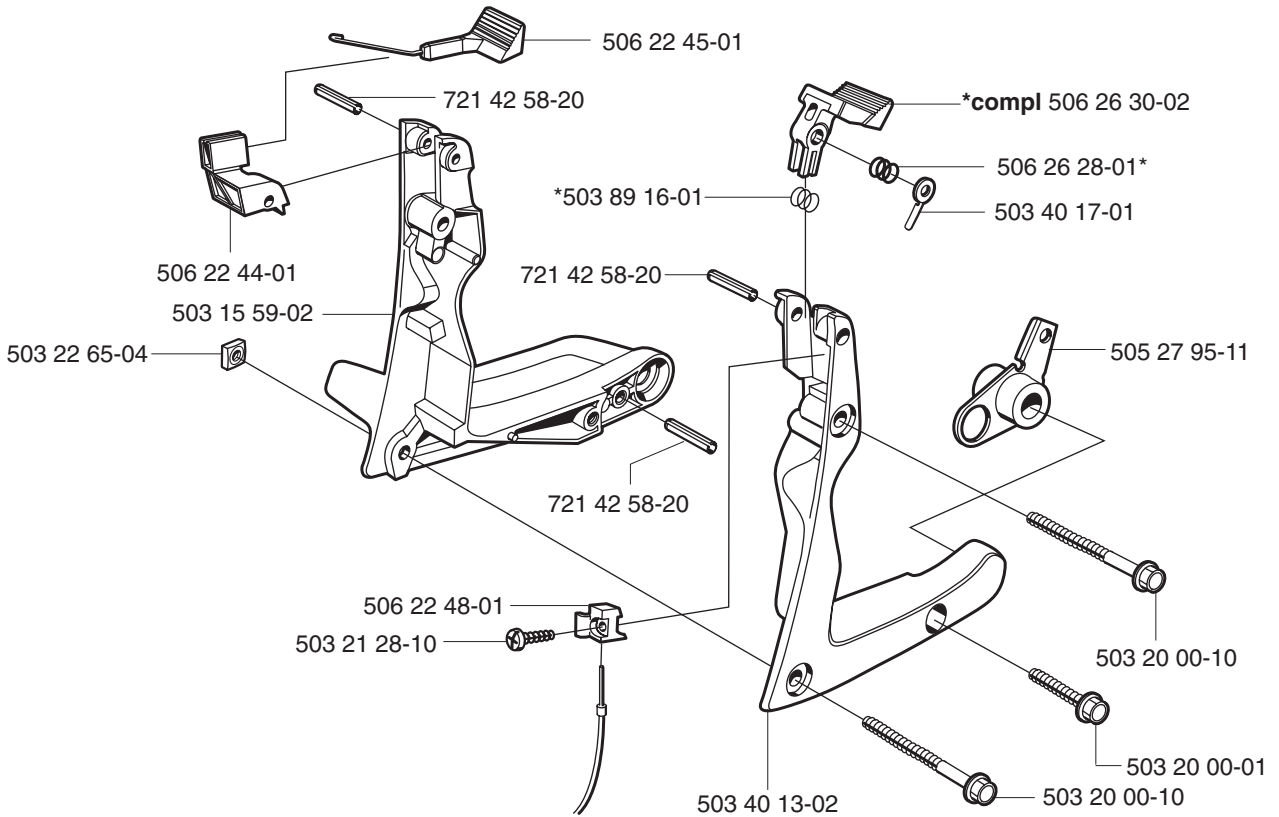
ConstructionParts.com

888-634-4289



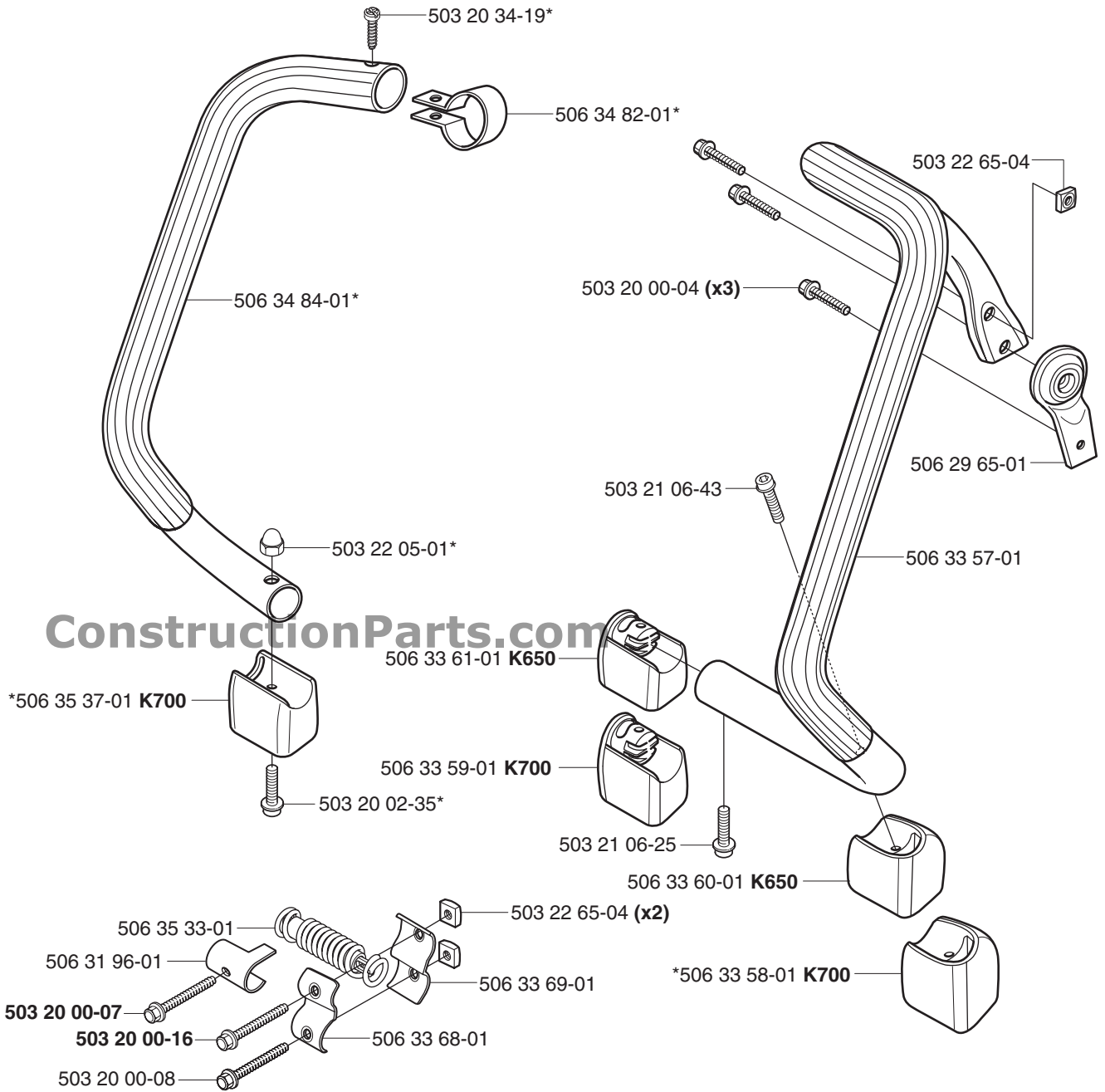
ConstructionParts.com

888-634-4289



ConstructionParts.com

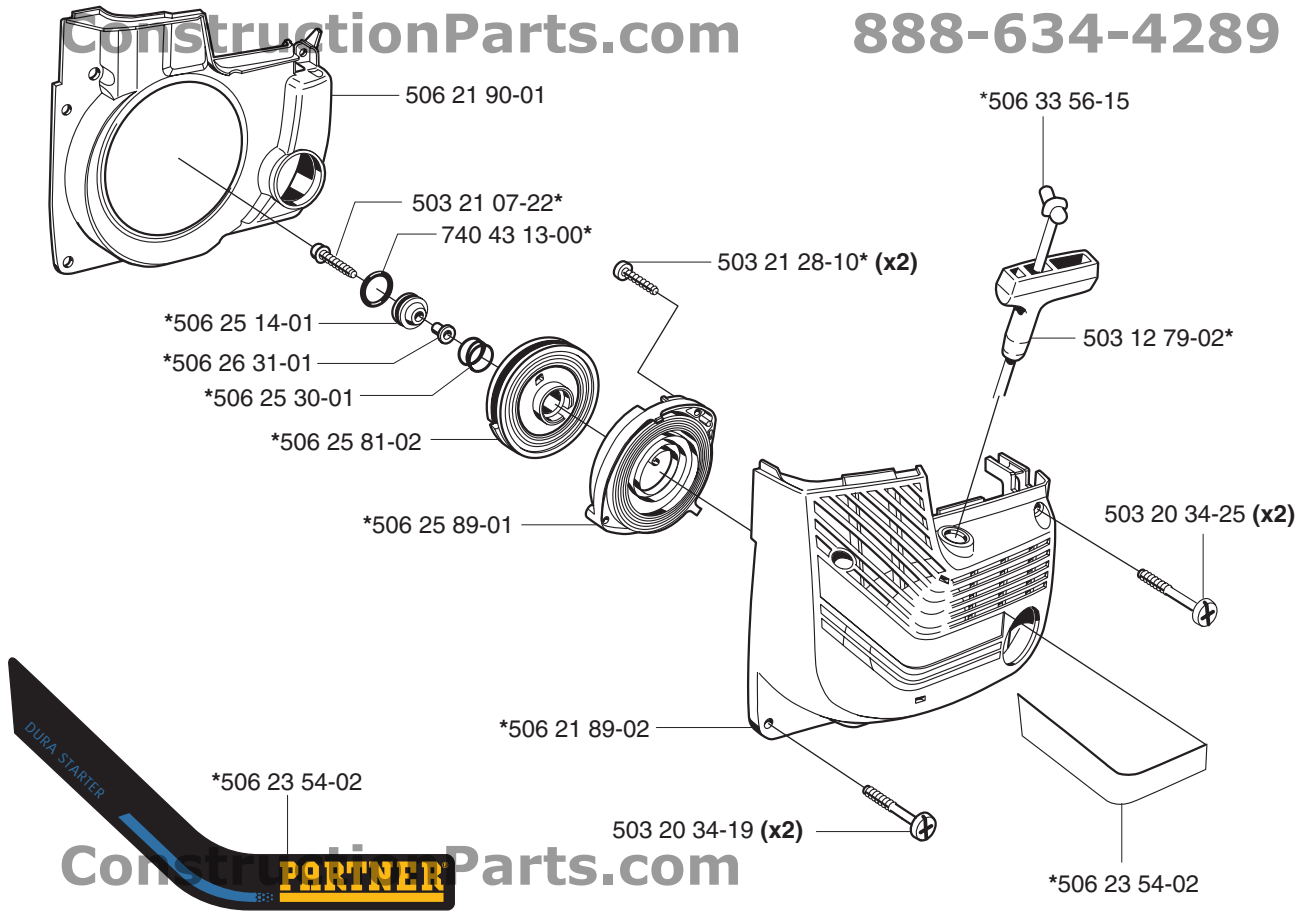
888-634-4289



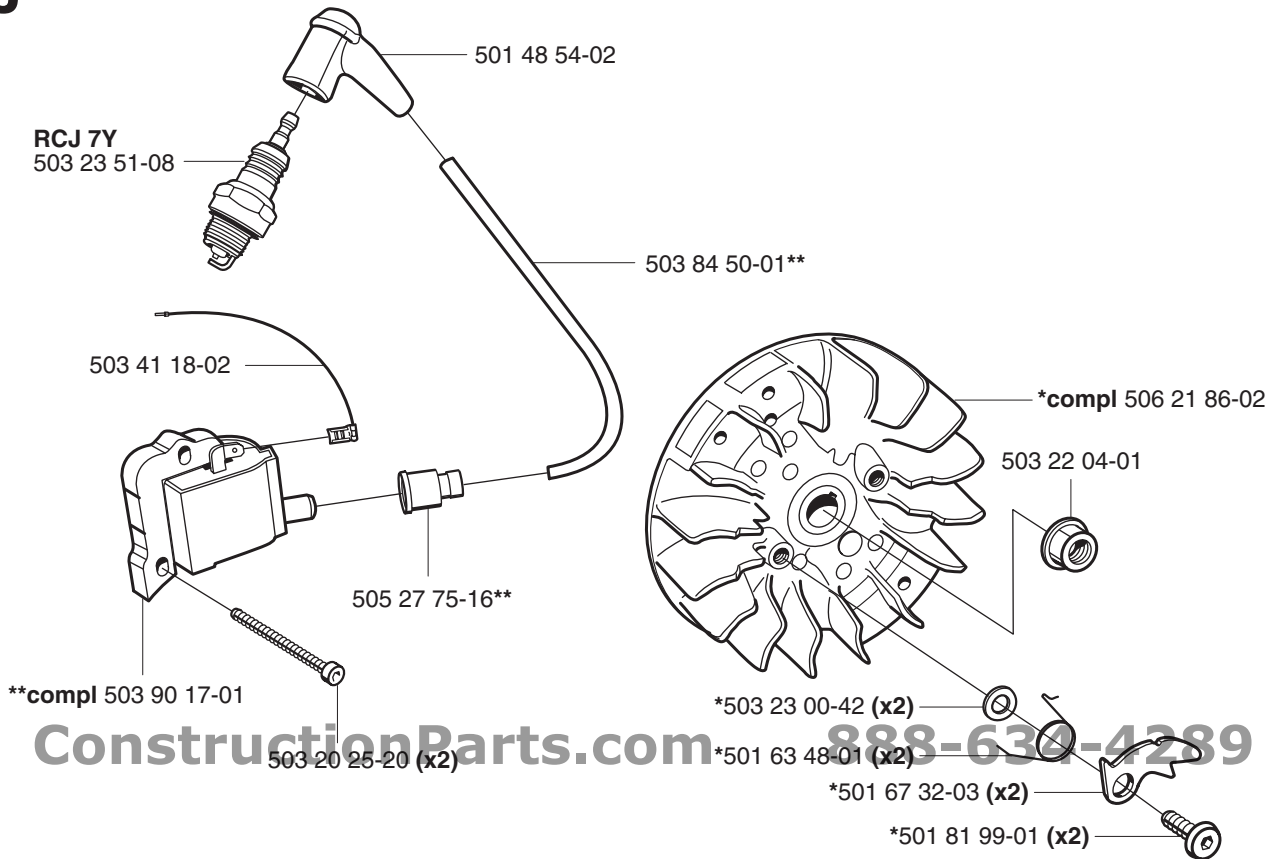
H *compl 506 25 95-01

ConstructionParts.com

888-634-4289



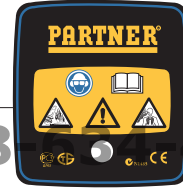
J



K

ConstructionParts.com

888-634-289



506 27 84-32
CE



506 27 84-33
EPA Canada



506 27 84-31
EPA USA



506 32 21-02

503 20 34-42

506 21 79-01

**506 25 82-01

506 22 63-01

**506 28 39-30

ConstructionParts.com

506 22 42-01

**compl 506 21 78-12

503 20 02-90

506 28 39-30*

*compl 506 21 77-14



506 23 93-01*

506 22 23-01

506 33 97-02
506 33 97-01

ConstructionParts.com

888-634-289

506 22 24-01

506 33 97-02

725 52 95-55

506 21 98-01

503 20 00-03

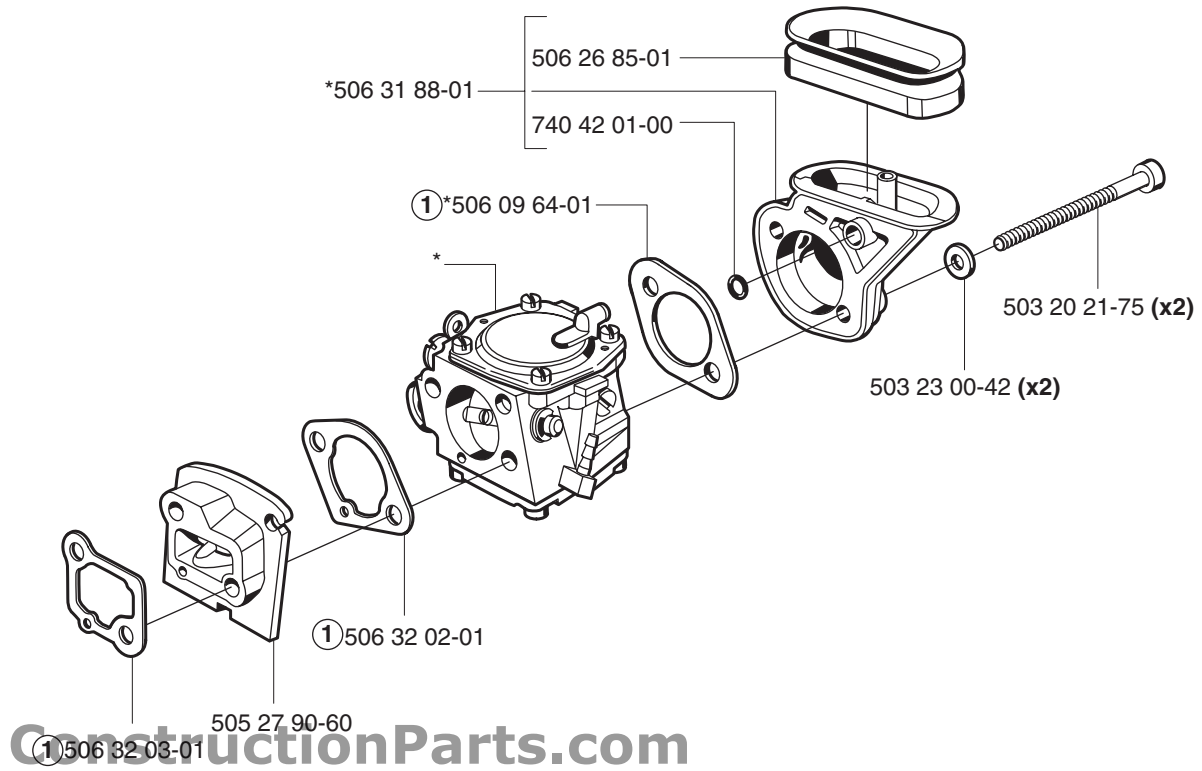
506 33 97-01



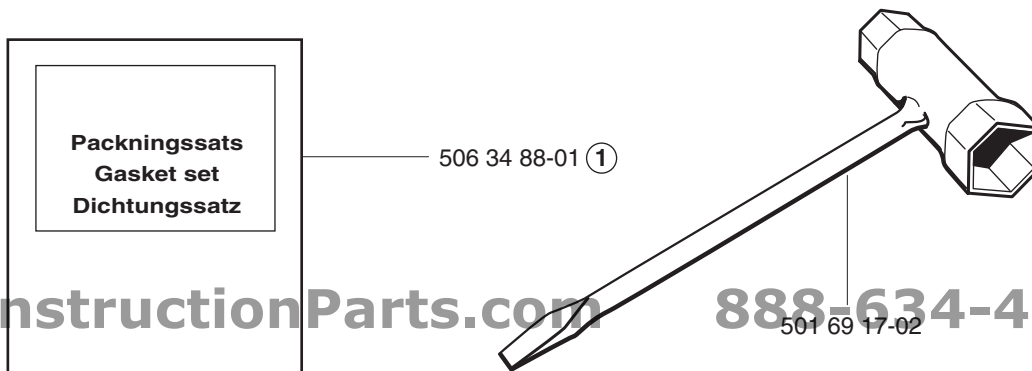
L Carburettor kit:
*compl 506 32 15-02

ConstructionParts.com

888-634-4289



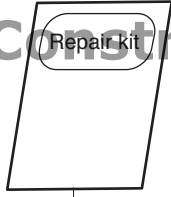
M



888-634-4289

ConstructionParts.com

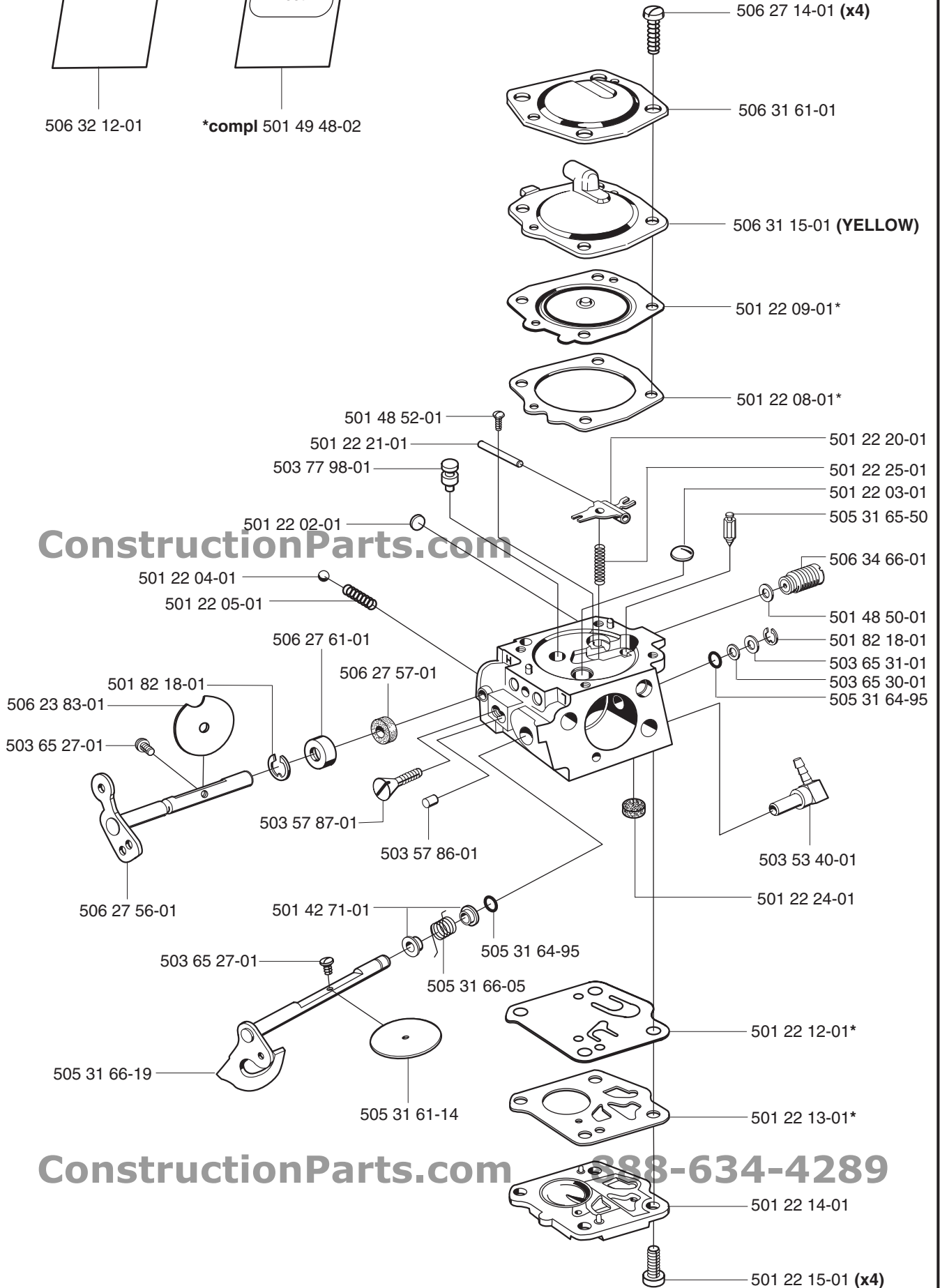
888-634-4289



506 32 12-01



*compl 501 49 48-02



ConstructionParts.com

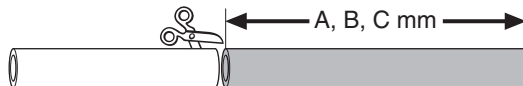
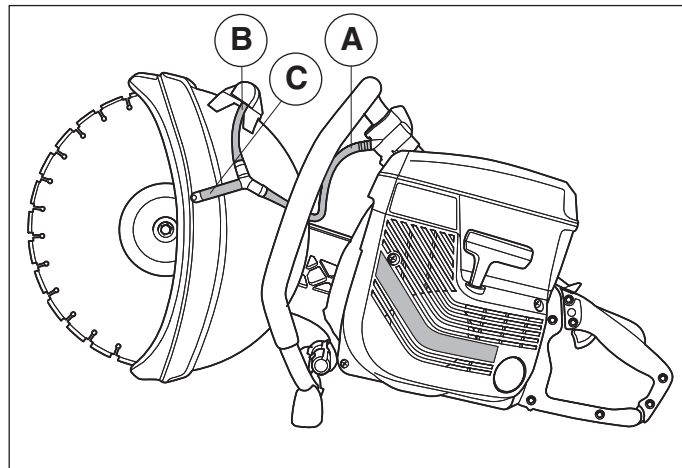
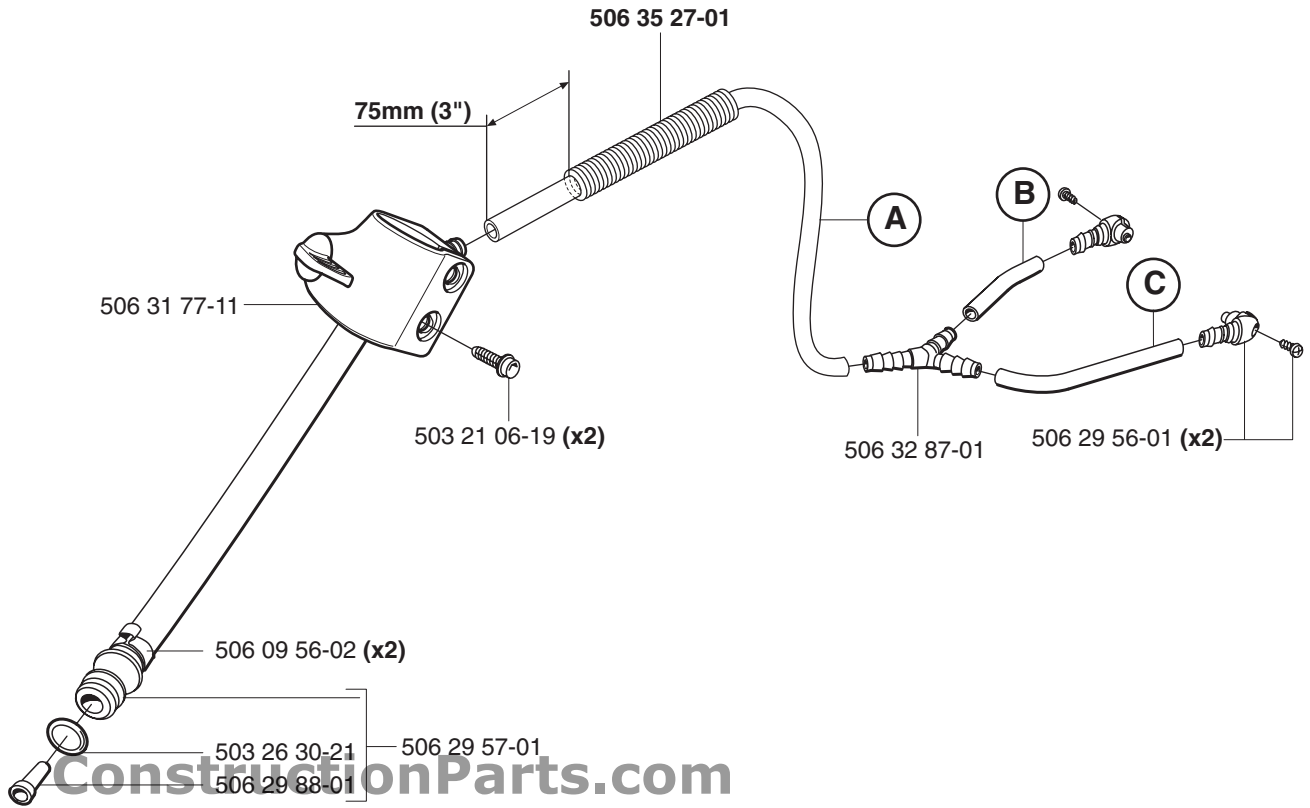
ConstructionParts.com

888-634-4289

P Wet cutting kit
 compl 506 32 89-03

ConstructionParts.com

888-634-4289



Product	A (mm)	B (mm)	C (mm)
K650A-III	240	240	45
K700A-III	240	280	45

ConstructionParts.com

888-634-4289

Q Rescue
*compl 506 34 05-28 (12")

ConstructionParts.com

888-634-4289

503 14 29-02

506 29 75-02

506 30 23-01

Rescue

725 53 31-55*

506 34 46-01*

506 26 63-02*

ConstructionParts.com

*

506 29 76-01

**503 22 65-04 (x2)

ConstructionParts.com

**compl 506 30 25-02

**503 20 02-16 (x2)

506 37 66-01

PARTNER K650 *Rescue*
max 5100 rpm
Ø20 mm - Ø300(Ø12")

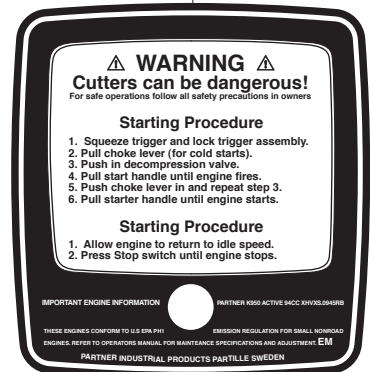
506 32 22-01

⚠ ATTENTION ⚠
This product has been modified for use by
trained fire rescue personnel only.

506 30 40-12 (CE)



506 30 40-11 (EPA USA)



506 30 40-13 (EPA Canada)



888-634-4289