



**BARTELL
GLOBAL**

**PARTS
BOOK**

REVERSIBLE HYDRAULIC PLATE COMPACTOR

BR1570



Doc. # PB-B19021
Orig. Rel. - 10/2013
Curr Rev. - 10

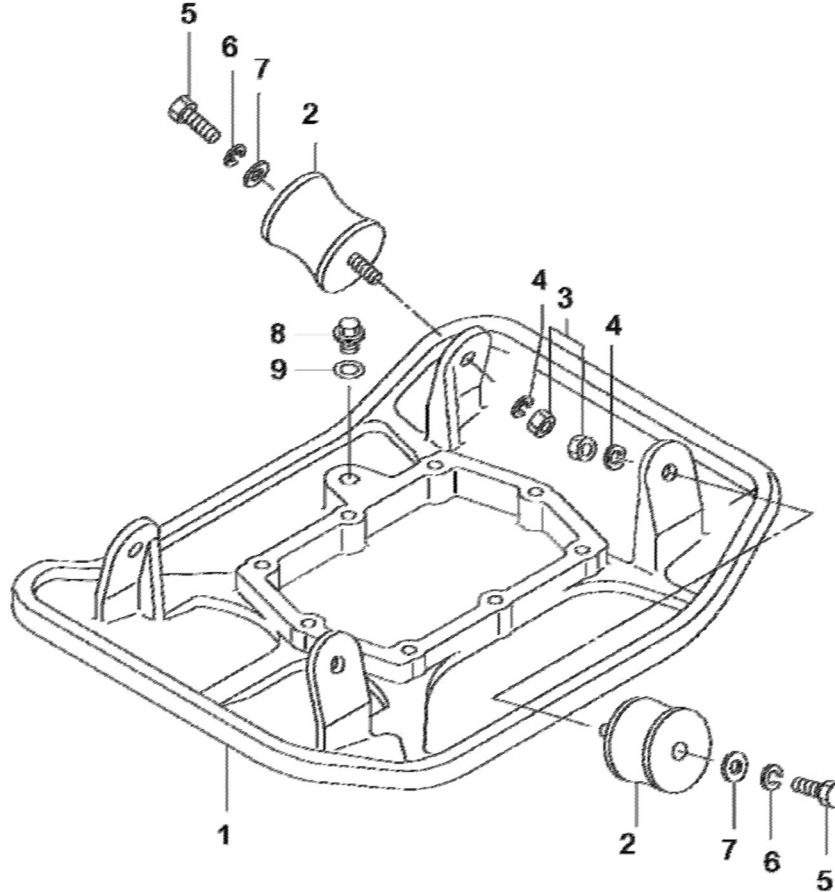


TABLE OF CONTENTS

<u>PARTS LIST 1 – REVERSIBLE HYDRAULIC PLATE COMPACTORS</u>	4
VIBRATING PLATE: BR1570	4
VIBRATING PLATE: BR1570 – PARTS LIST 1	4
<u>PARTS LIST 2 – REVERSIBLE HYDRAULIC PLATE COMPACTORS</u>	5
BODY: BR1570	5
BODY: BR1570 - PARTS LIST 2	6
<u>PARTS LIST 3 – REVERSIBLE HYDRAULIC PLATE COMPACTORS</u>	9
VIBRATOR: BR1570	9
VIBRATOR: BR1570 – PARTS LIST 3	10
<u>PARTS LIST 4 – REVERSIBLE HYDRAULIC PLATE COMPACTORS</u>	13
CONTROL: BR1570	13
CONTROL: BR1570 – PARTS LIST 4	13
<u>PARTS LIST 5 – REVERSIBLE HYDRAULIC PLATE COMPACTORS</u>	15
HAND PUMP ASSEMBLY: BR1570	15
HAND PUMP ASSEMBLY: BR1570 – PARTS LIST 5	16
<u>PARTS LIST 6 – REVERSIBLE HYDRAULIC PLATE COMPACTORS</u>	17
WHEELS: BR1570	17
WHEELS: BR1570 – PARTS LIST 6	17

PARTS LIST 1 – REVERSIBLE HYDRAULIC PLATE COMPACTORS

VIBRATING PLATE: BR1570

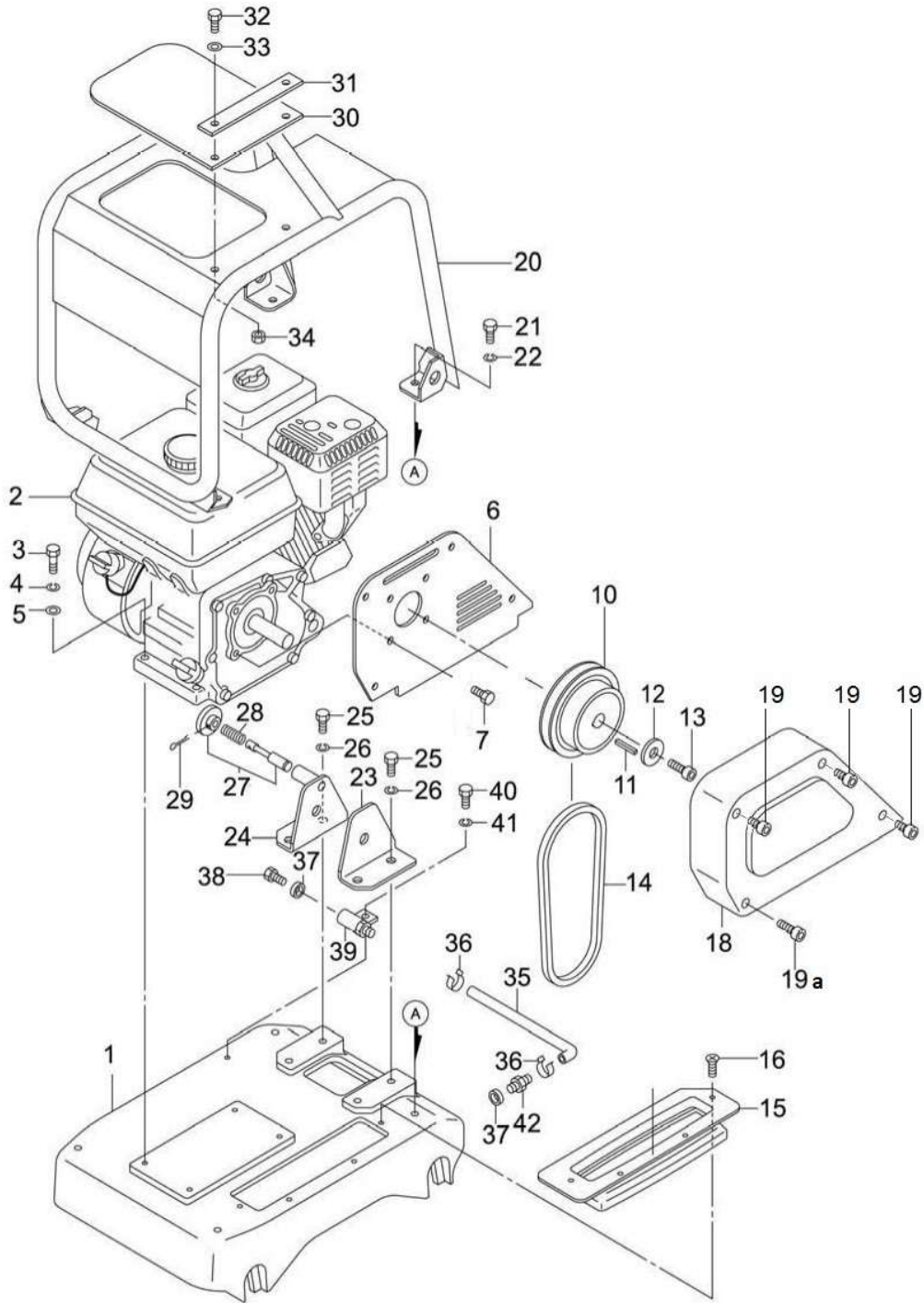


VIBRATING PLATE: BR1570 – PARTS LIST 1

Item #	Part #	Description	QTY	Remarks
1	65CPC-60-1A	VIBRATING PLATE	1	
2	651038	SHOCK ABSORBER	4	
3	11622	HEX NUT, M10-1.5	4	
4	11621	LOCKWASHER, M10	4	
5	14989	HHCS, M10-1.5x30MM	4	
6	11621	LOCKWASHER, M10	4	
7	41516	WASHER, M10	4	
8	651060	OIL PLUG, M16	1	
9	651061	OIL PLUG SEAL, M16 RUBBER WASHER	1	

PARTS LIST 2 – REVERSIBLE HYDRAULIC PLATE COMPACTORS

BODY: BR1570



BODY: BR1570 - PARTS LIST 2

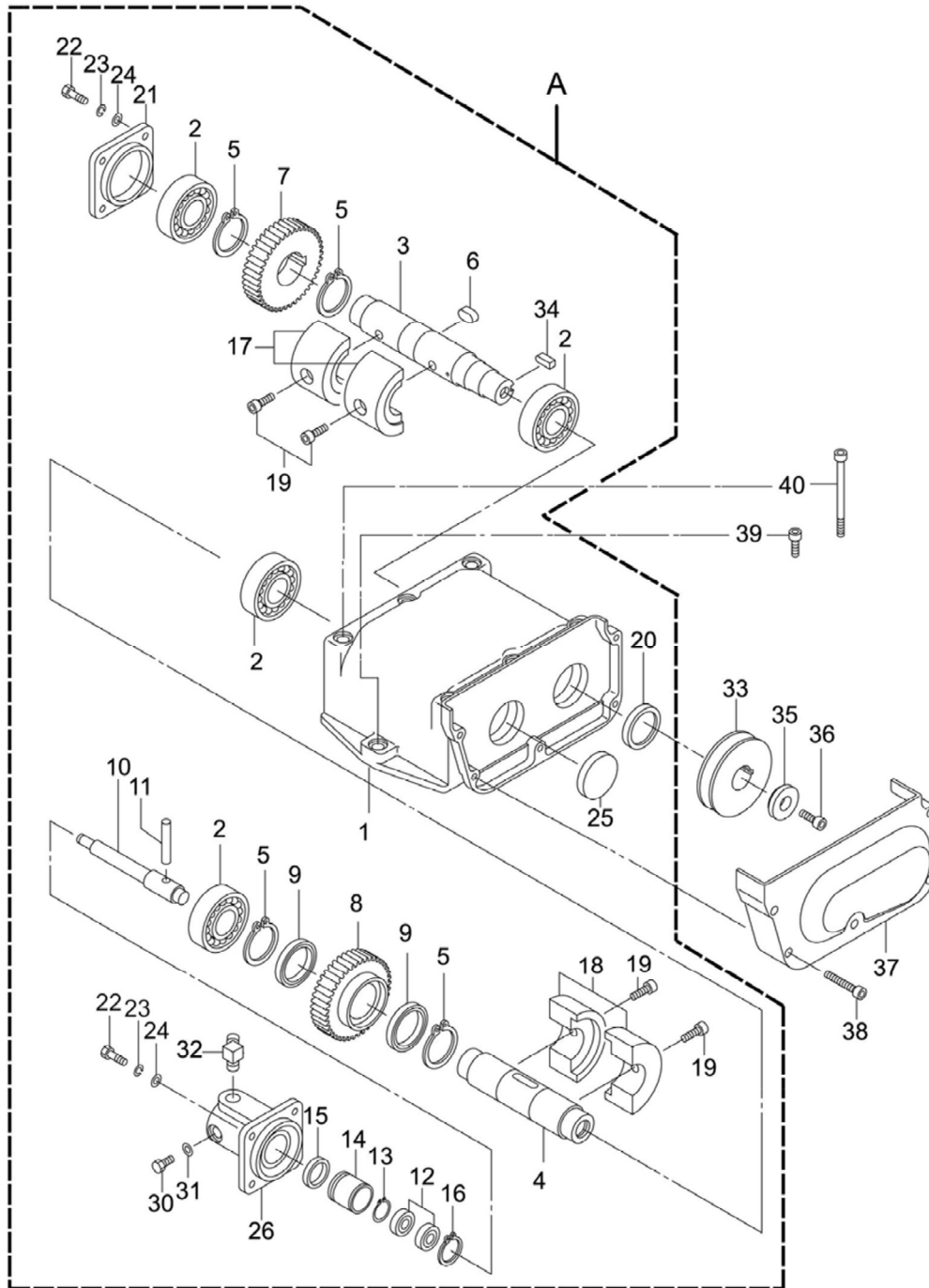
Item #	Part #	Description	QTY	Remarks
1	65CPC-60-1B	BASE	1	
2	21333-1	ENGINE, GX160	1	
3	10452	HHCS, M8-1.25x40MM LG	4	
4	11614	LOCKWASHER, M8	4	
5	11667	WASHER, M8	4	
-	11504	SPACER (under engine, not shown)	A/R	
6	65CPC-60-6B	BELT COVER BACK PLATE	1	
7	11256	FHSCS, 5/16"-24 UNF x 1"LG	4	
10	651006	CLUTCH ASSEMBLY	1	
11	10208	KEY, 3/16" SQUARE X 1-1/2"	1	
12	30042	CLUTCH WASHER	1	
13	30041	FHSCS, 5/16-24UNF x 3/4"	1	
14	15372	V-BELT, AX31	1	
15	65CPC-60-15B	DUST COVER	1	
16	50621	FHSCS M6-1.0 x 25MM	4	
18	65CPC-60-18B	BELT COVER OUT	1	
19	31105	SOCKET HEAD BOLT M8 x 1.25 x 60 mm	3	
19a	14986	SOCKET HEAD BOLT M8 x 1.25 x 30 mm	1	
20	65CPC-60-20B	GUARD FRAME	1	
21	13348	HHCS, M10-1.5x25MM	4	
22	11621	LOCKWASHER, M10	4	
23	65CPC-60-23B	STAY (L) HANDLE	1	
24	65CPC-60-24B	STAY (R) HANDLE	1	
25	14989	HHCS, M10-1.5x30MM LG	4	
26	11621	LOCKWASHER, M10	4	
27	651144	LOCK, HANDLE ASSY	1	
28	651145	SPRING, LOCKING HANDLE	1	
29	651146	SPRING PIN, M2x16	1	
30	651176	RUBBER ACCESS FLAP ASSEMBLY	1	
31				
32	30281	HHCS, M6-1.0 x 25MM	2	
33	14447	WASHER, M6	2	
34	50622	LOCKNUT, M6x1.0	2	
Parts list 2 continued next page				



Parts list 2 continued				Remarks
35	65CPC-60-35B	DRAIN HOSE	1	Kit 651178 Only
36	65CPC-60-36B	HOSE BAND 11.5D	2	Kit 651178 Only
37	65CPC-60-37B	WASHER, DRAIN PLUG	2	Kit 651178 Only
38	65CPC-60-38B	BOLT, DRAIN PLUG	1	Kit 651178 Only
39	65CPC-60-40B	HOLDER, DRAIN HOSE	1	Kit 651178 Only
40	10999	HHCS, M8-1.25 X 20MM	1	Individual or 651178 Kit
41	11614	LOCKWASHER, M8	1	Individual or 651178 Kit
42	11779	M12 X 1.5 MALE FITTING	1	Individual or 651178 Kit
35-42	651178	OIL DRAIN HOSE ASSEMBLY INCL. #35,36,37,38,39,40,41,42		INCL ITEMS 35 to 42

PARTS LIST 3 – REVERSIBLE HYDRAULIC PLATE COMPACTORS

VIBRATOR: BR1570



VIBRATOR: BR1570 – PARTS LIST 3

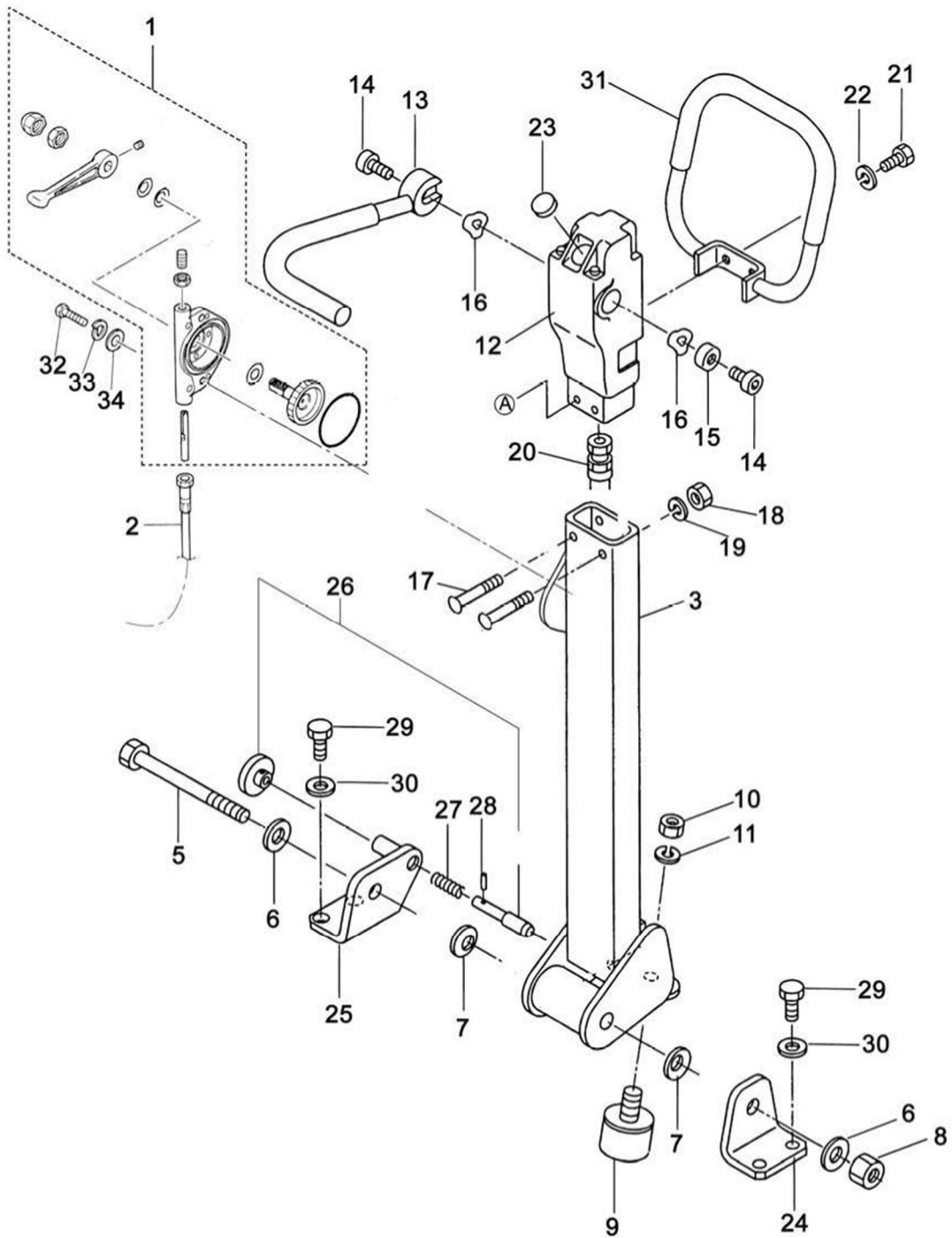
Item #	Part #	Description	QTY	Remarks
A	651020	VIBRATOR ASSEMBLY	1	
1	65CPC-95-01A	VIBRATOR CASE	1	
2	10768	BEARING 6206	4	
3	65CPC-60-3C	ROTARY SHAFT, DRIVE	1	Kit 651189 Only
4	65CPC-60-4C	ROTARY SHAFT, DRIVEN	1	Kit 651188 Only
5	31373	RETAINING RING, 35MM	4	Individual or in Kits 651188 or 651189
6	651220	KEY 10x8x19	1	Individual or in Kit 651189
7	65CPC-60-7C	GEAR (DRIVE)	1	Kit 651189 Only
8	65CPC-60-8C	GEAR (DRIVEN)	1	Kit 651188 Only
9	31126	BEARING 6807C3	2	Individual or in Kit 651188
10	65CPC-60-10C	PISTON ROD	1	Kit 651190 Only
11	651204	PIN 8x45	1	Individual or in Kit 651190
12	24242	BEARING, BALL 6000ZZ	2	Individual or in Kit 651190
13	60083	RETAINING RING, 10MM	1	Individual or in Kit 651190
14	65CPC-60-14C	PISTON, 30D	1	Kit 651190 Only
15	651074	PISTON SEAL USH-22.4x30x5	1	Individual or in Kit 651190
16	651202	STOP RING R-26	1	Individual or in Kit 651190
17	65CPC-60-17C	ECCENT ROTATOR, DRIVE	2	Kit 651189 Only
18	65CPC-60-18C	ECCENT ROTATOR, DRIVEN	2	Kit 651188 Only
19	10059	SHCS, M10-1.50x25MM	4	Individual or in Kits 651188 or 651189
20	651147	OIL SEAL, 28x45x8	1	
21	65CPC-60-21C	BEARING COVER	1	
22	10999	HHCS, M8-1.25X20MM	8	
23	11614	LOCKWASHER, M8	8	
24	11667	WASHER, M8	8	
25	651152	SEAL CAP	1	
26	65CPC-60-26C	CYLINDER	1	
30	651081	HYD BOLT M8x12T	1	
31	651080	WASHER, SEALING	1	
32	65CPC-60-32C	HYDRAULIC FITTING	1	
33	651115	PULLEY, 3.25"	1	
		Parts list 3 continued next page		



Parts list 3 continued				
34	651094	KEY 7x7x19	1	
35	65CPC-60-35C	WASHER, RETAINER	1	
36	11769	SHCS, M8-1.25x16MM	1	
37	65CPC-60-37OIL	BELT COVER (LOWER-OUT)	1	
38	11495	SOCKET HEAD BOLT M6x40t	5	
39	14989	HHCS, M10-1.5x30MM	2	
40	18556	BOLT M10x100T	6	
	651188	DRIVEN SHAFT ASSEMBLY INCL. #5,8,9,18,19	1	
	651189	DRIVE SHAFT ASSEMBLY INCL. #3,5,6,7,17,19	1	
	651190	PISTON ASSEMBLY INCL. #10,11,12,13,14,15,16	1	INCL ITEMS 10 to 16

PARTS LIST 4 – REVERSIBLE HYDRAULIC PLATE COMPACTORS

CONTROL: BR1570

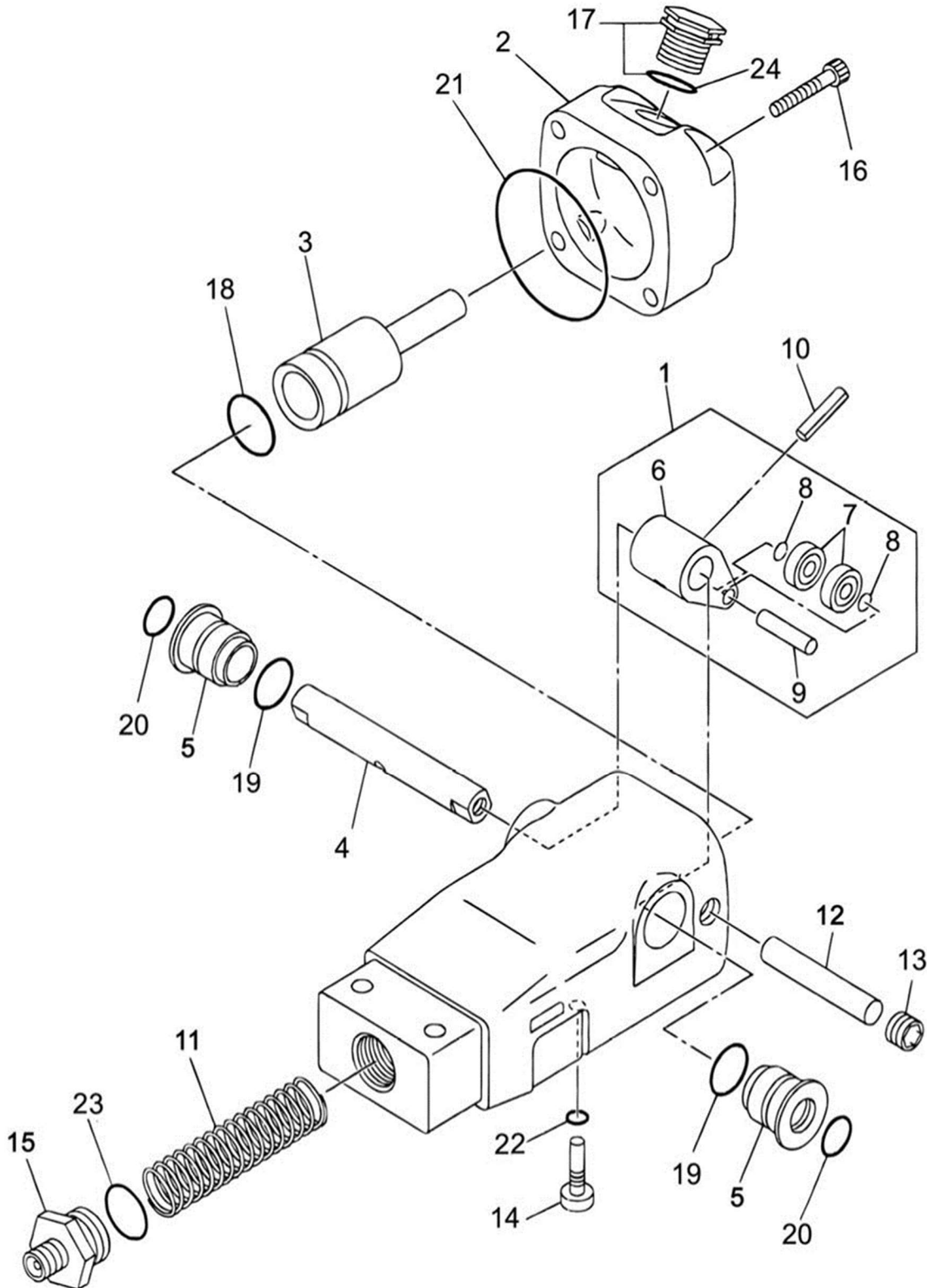


CONTROL: BR1570 – PARTS LIST 4

Item #	Part #	Description	QTY	Remarks
1	651050	THROTTLE LEVER ASSEMBLY	1	
2	651055	THROTTLE WIRE	1	
3	651245	HANDLE ASSEMBLY	1	
5	60084	HHCS, M12-1.75x130MM	1	
6	10993	WASHER, M12	2	
7	65CPC-60-7D	CONICAL SPRING WASHER M12	2	
8	10956	LOCKNUT, M12-1.75	2	
9	651037	RUBBER STOPPER	1	
10	11622	HEX NUT, M10-1.5	1	
11	11621	LOCKWASHER, M10	1	
12	651040	HANDLE PUMP ASSEMBLY	1	
13	651141	TRAVEL LEVER	1	
14	30282	SHCS, M10-1.5x20MM	2	
15	651247	COLLAR	1	
16	651223	WAVE WASHER 15.5x20x3	4	
17	10453	HHCS, M8-1.25 x 50MM	2	
18	11617	LOCKNUT, M8x1.25	2	
19	11614	LOCKWASHER, M8	2	
20	65CPC-60-20D	OIL HOSE	1	
21	10999	HHCS, M8-1.25 x 20MM	2	
22	11614	LOCKWASHER, M8	2	
23	651205	BREATHER CAP	1	
24	651213	HANDLE BRACKET (L)	1	
25	651214	HANDLE BRACKET (R)	1	
26	651144	LOCK, HANDLE ASSY	1	
27	651145	SPRING	1	
28	651146	SPRING PIN, M2x16	1	
29	14989	HHCS, M10-1.5x30MM	4	
30	11621	LOCKWASHER, M10	4	
31	651142	HANDLE GRIP	1	
32	30281	HHCS, M6-1.0 x 25MM	2	
33	14448	LOCKWASHER, M6	2	
34	14447	WASHER, M6	2	
-	651035	ON/OFF SWITCH	1	(NOT SHOWN)

PARTS LIST 5 – REVERSIBLE HYDRAULIC PLATE COMPACTORS

HAND PUMP ASSEMBLY: BR1570

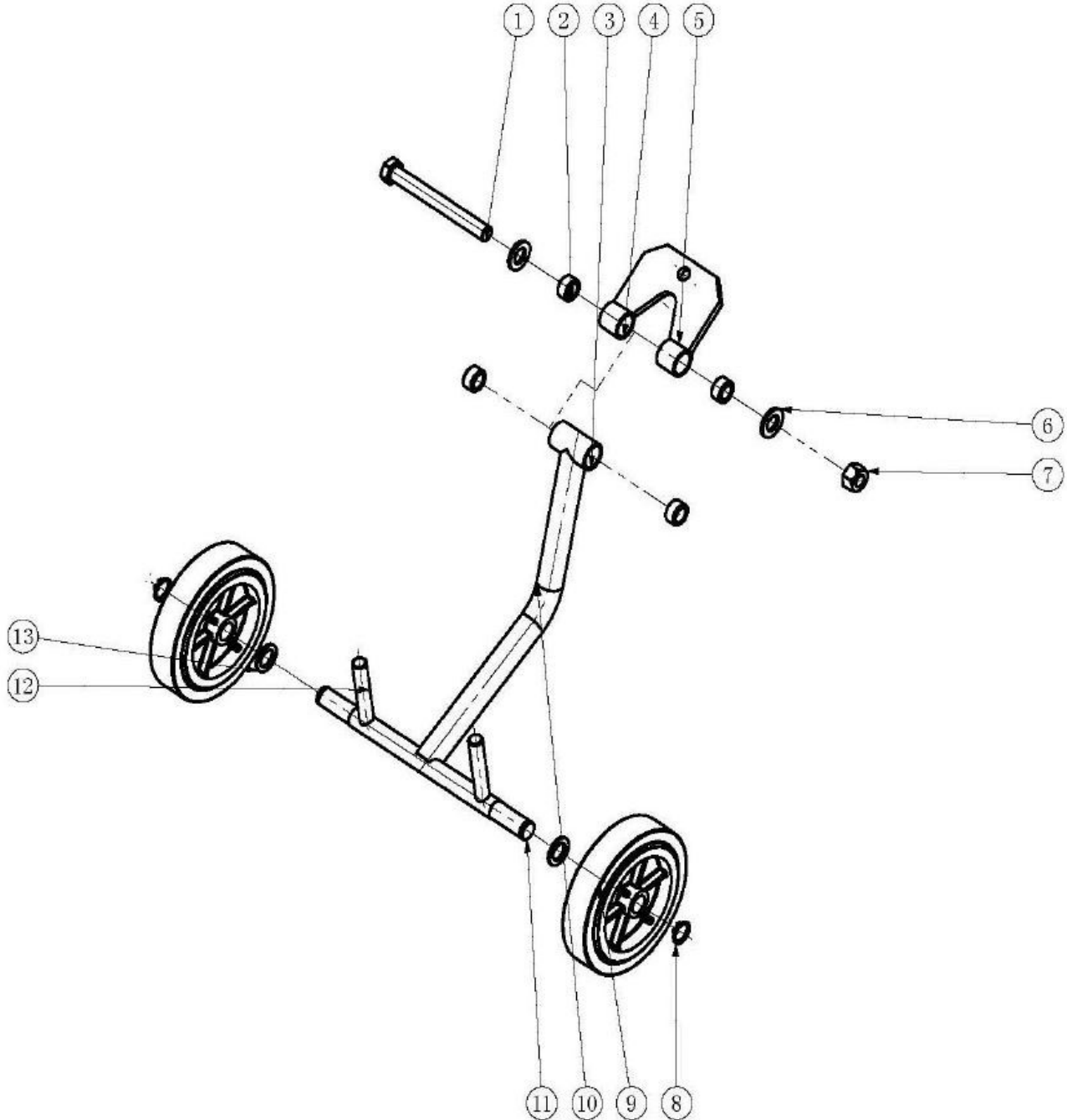


HAND PUMP ASSEMBLY: BR1570 – PARTS LIST 5

Item #	Part #	Description	QTY	Remarks
1	651130	CAM ASSEM (PUMP) INCL. #6,7,8,9	1	
2	65CPC-60-2E	COVER (HAND PUMP)	1	
3	651181	PISTON CP	1	
4	651131	CONTROL SHAFT (PUMP)	1	
5	651209	BUSHING	2	
6	65CPC-60-6E	CAM (PUMP)	1	Kit 651130 Only
7	65CPC-60-7E	BEARING 607ZZ	2	Kit 651130 Only
8	65CPC-60-8E	SPACER	2	Kit 651130 Only
9	65CPC-60-9E	PIN M7 x 30MM	1	Kit 651130 Only
10	651132	PIN M6 x 26MM	1	
11	65CPC-60-11E	SPRING (PUMP)	1	
12	65CPC-60-12E	STOPPER (PUMP)	1	
13	65CPC-60-13E	PLUG	1	
14	65CPC-60-14E	STOP PLUG	1	
15	65CPC-60-15E	HOSE JOINT	1	
16	31238	SHCS, M6-1.0X35	4	
17	651205	BREATHER (PUMP)	1	
18	65CPC-60-18E	O-RING G-25	1	Kit 651129 Only
19	65CPC-60-19E	O-RING P-20	2	Kit 651129 Only
20	65CPC-60-20E	O-RING P-15	2	Kit 651129 Only
21	65CPC-60-21E	O-RING S-67	1	Kit 651129 Only
22	65CPC-60-22E	O-RING S-8	1	Kit 651129 Only
23	65CPC-60-23E	O-RING S-22	1	Kit 651129 Only
24	65CPC-60-24E	O-RING P-18	1	Kit 651129 Only
	651129	O-RING KIT INCL. #18,19,20,21,22,23,24	1	

PARTS LIST 6 – REVERSIBLE HYDRAULIC PLATE COMPACTORS

WHEELS: BR1570





WHEELS: BR1570 – PARTS LIST 6

Item #	Part #	Description	QTY	Remarks
1	60084	HHCS, M12-1.75 x 125MM	1	
2	65CPC-60-02G	COLLAR	4	
3	65CPC-60-03G	WHEELS FRAME	1	
10			1	
11			1	
12			2	
4	65CPC-60-04G	WHEELS PLATE	2	
5			1	
6	14267	WASHER, M12	2	
7	10956	LOCKNUT, M12-1.75	1	
8	651079	RETAINING RING	2	
9	651085	WHEELS	2	
13	65CPC-60-13G	WASHER DIA 15mm	2	
	651096	WHEEL KIT ASSEMBLY	1	
	651042	RUBBER HOLDER (NOT SHOWN)	1	