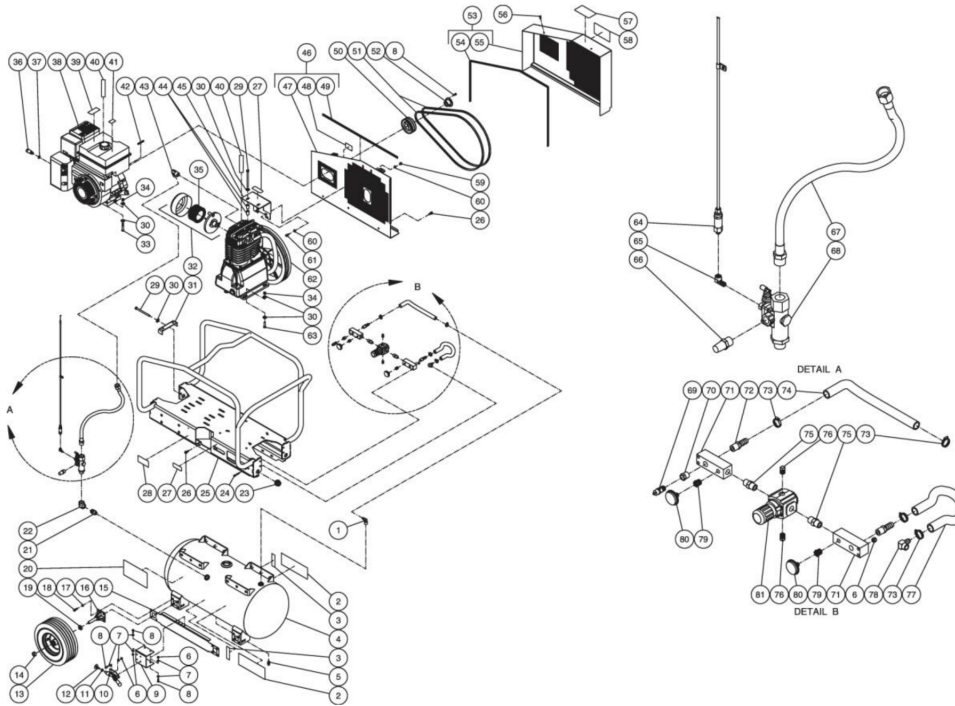




AS2-PV13-30M / AS2-PV13-30M (sn:0-99999999)

TANK ASSEMBLY



Id	Item #	Description	Quantity	Rev	Comments
1	23-0418	ELBOW	1		
2	34-0828	DECAL- LOGO	2		
3	N/A Sep.	DECAL- TANK DRAIN (SEE 34-9016)	2		
4	N/A	AIR TANK ASSEMBLY	1		
5	23-0312	DRAIN VALVES	1		
6	30-0155	LOCKNUT	12		
7	28-0002	WASHER	16		
8	27-0015	BOLT	10		
9	20-0669A01	BRAKE BRACKET	1		
10	33-0400	PUSH/PULL ACTION TOGGLE CLAMP	1		
11	30-0004	HEX NUT	1		
12	27-9550	BOLT	1		
13	14-0006	WHEEL	4		
14	33-0351	COLLAR/SHAFT	4		

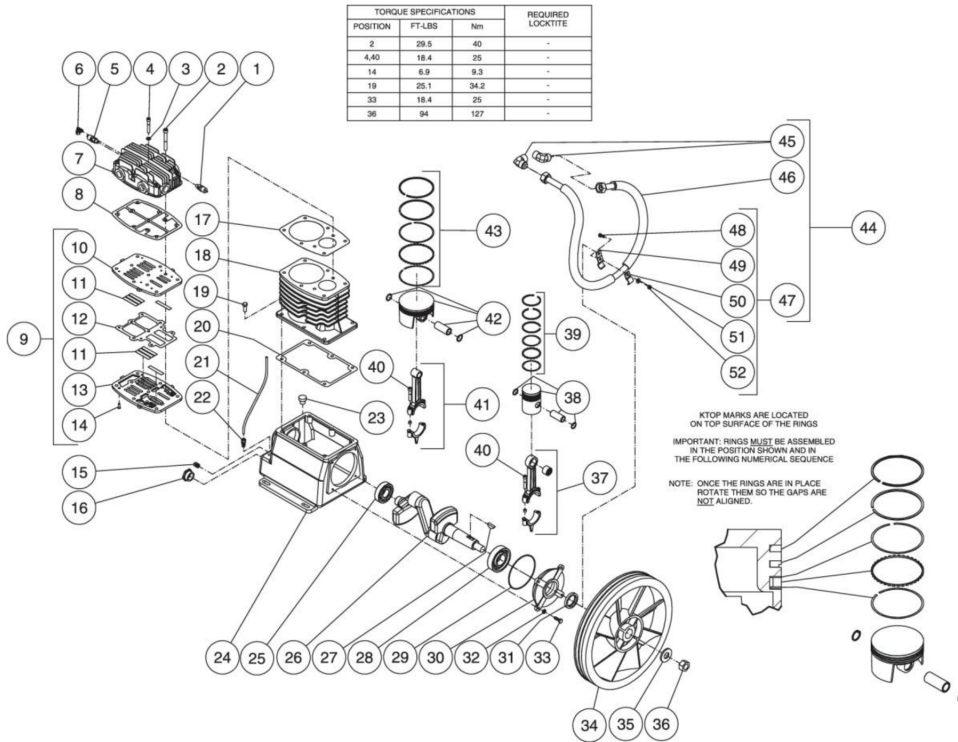
Id	Item #	Description	Quantity	Rev	Comments
15	20-0668A01	BRAKE BRACKET	1		
16	20-0861A01	AXLE STUB BRACKET	4		
17	29-0007	LOCKWASHER	16		
18	27-0067	BOLT	16		
19	28-0008	WASHER	4		
20	N/A Sep.	DECAL- DANGER/WARNING/CAUTION (SEE 34-9016)	1		
21	24-0283	NIPPLE	1		
22	24-0284	ELBOW	1		
23	24-0274	BULKHEAD FITTING	1		
24	27-0019	BOLT	4		
25	5-0250A01	BASEPLATE	1		
26	27-9524	BOLT	15		
27	N/A Sep.	DECAL- WARNING: RISK OF BURNS (SEE 34-9016)	2		
28	N/A	DECAL- DATA PLATE	1		
29	27-0133	BOLT	3		
30	28-0023	FLATWASHER	19		
31	20-0650A01	BELT TENSIONER PLATE	1		
32	19-0237	CANISTER FILTER	1		
33	27-0121	BOLT	4		
34	30-0159	LOCKNUT	8		
35	19-0226	FILTER - REPLACEMENT ONLY	1		
36	24-0142	OIL DRAIN EXTENSION	1		
37	28-0606	GASKET	1		
38	1-0090	ENGINE - 13.0 HP VANGUARD	1		
39	N/A Sep.	DECAL- WARNING: MUFFLER HOT (SEE 34-9016)	1		
40	N/A Sep.	DECAL- CHECK OIL TAPE (SEE 34-9016)	2		
41	N/A Sep.	DECAL- ENGINE FUEL (SEE 34-9016)	1		
42	43-0078	KEY	1		
43	24-0285	ELBOW	1		
44	33-0425	SPACER	4		
45	20-0860A01	SUPPORT BRACKET	1		
46	851-0363	BELTGUARD BACK ASSEMBLY (INC. 47-49)	1		
47	N/A Sep.	BELTGUARD BACK (SEE 851-0363)	1		
48	N/A Sep.	DECAL- WARNING: BELTGUARD IN PLACE (SEE 34-9016)	1		
49	33-0020	EDGING *(THREE FEET REQUIRED)	1		
50	10-0025	SHEAVE	1		
51	11-0069	DRIVE BELT	2		
52	9-0005	BUSHING	1		
53	851-0364	BELTGUARD COVER ASSEMBLY (INC. 54-55)	1		

Id	Item #	Description	Quantity	Rev	Comments
54	33-0020	EDGING *(SIX FEET REQUIRED)	1		
55	N/A Sep.	BELTGUARD COVER (SEE 851-0364)	1		
56	33-0197	FASTENER	2		
57	N/A Sep.	DECAL- OPERATING INSTRUCTIONS (SEE 34-9016)	1		
58	N/A Sep.	DECAL- MAINTENANCE INSTRUCTIONS (SEE 34-9016)	1		
59	30-0157	LOCKNUT	2		
60	28-0003	WASHER	4		
61	27-0066	BOLT	2		
62	3-0234	PUMP	1		
63	27-0119	BOLT	4		
64	33-0408	THROTTLE CONTROL	1		
65	23-0118	ELBOW	1		
66	24-0286	MUFFLER	1		
67	15-0259	HOSE	1		
68	22-0394	PILOT VALVE	1		
69	22-0267	PRESSURE RELIEF VALVE	1		
70	23-0017	BUSHING	1		
71	51-0033	MANIFOLD BLOCK	2		
72	23-0105	HOSE BARB	2		
73	42-0011	HOSE CLAMP	4		
74	15-0007	HOSE *(TWO FEET REQUIRED)	1		
75	24-0010	NIPPLE	2		
76	24-0009	PLUG	2		
77	15-0007	HOSE *(ONE FOOT REQUIRED)	1		
78	23-0050	ELBOW	1		
79	23-0111	REDUCER	2		
80	22-0271	PRESSURE GAUGE	2		
81	22-0395	ADJUSTABLE REGULATOR	1		
	34-9016	DECAL SET (INC. 3, 20, 27, 39-41, 48, 57-58)			
		*MUST ORDER IN ONE FOOT LENGTHS			



AS2-PV13-30M / AS2-PV13-30M (sn:0-99999999)

COMPRESSOR PUMP



Id	Item #	Description	Quantity	Rev	Comments
1	22-0361	HIGH PRESSURE SAFETY VALVE	1		
2	27-0880	BOLT	8		
3	N/A	WASHER	2		
4	27-0826	BOLT	2		
5	22-0362	LOW PRESSURE SAFETY VALVE	1		
6	23-0316	ELBOW	1		
7	46-1187	CYLINDER HEAD	1		
8	N/A Sep.	HEAD GASKET (SEE 70-0420 OR 70-0421)	1		
9	46-1190	VALVE PLATE ASSEMBLY	1		
10	N/A	UPPER VALVE PLATE	1		
11	N/A Sep.	VALVE PLATE (SEE 70-0421 OR 70-0431)	8		
12	N/A Sep.	VALVE PLATE GASKET (SEE 70-0420 OR 70-0421)	1		
13	N/A	BOTTOM VALVE PLATE	1		
14	N/A SEP.	SCREW	6		

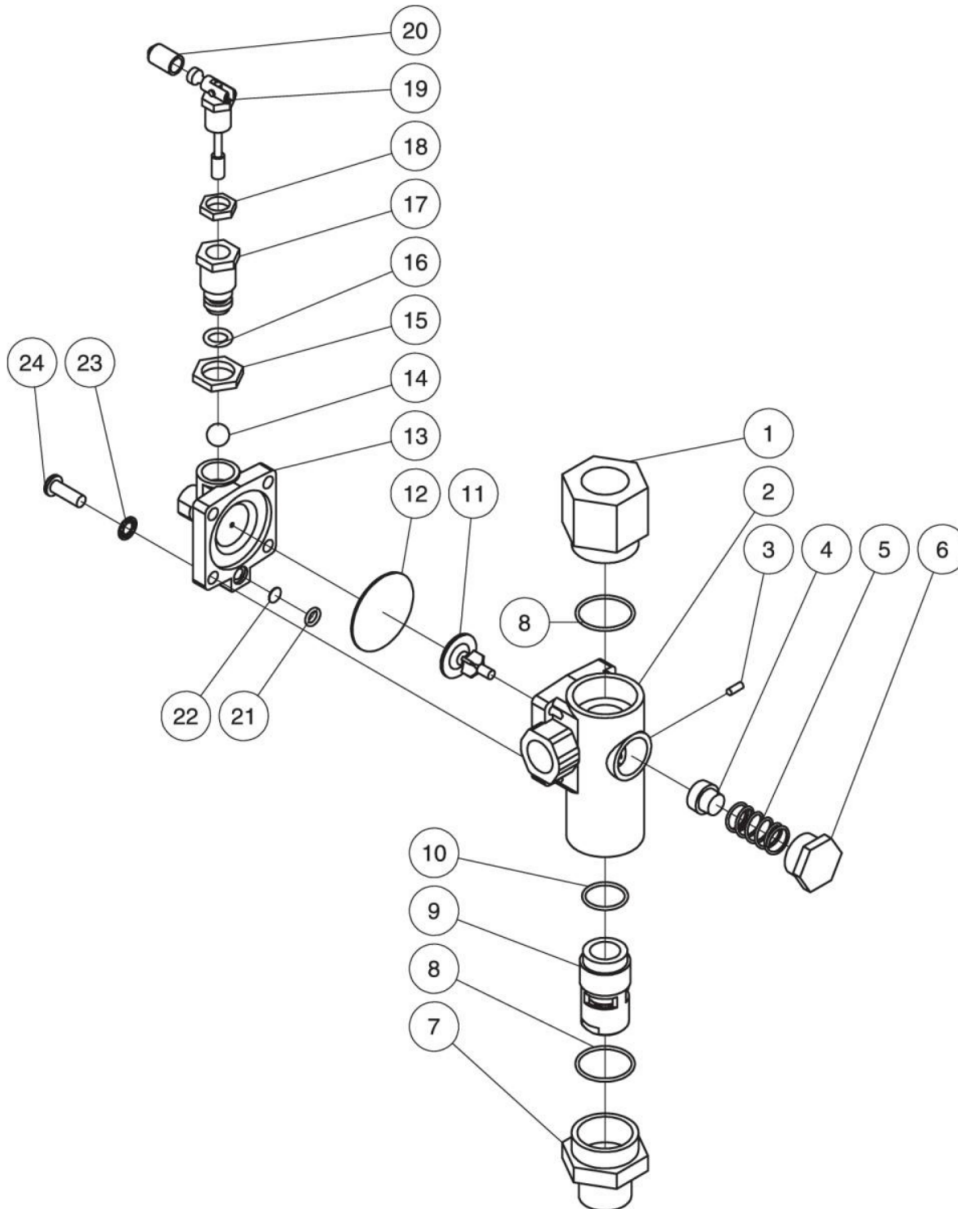
Id	Item #	Description	Quantity	Rev	Comments
15	24-0009	PLUG	1		
16	46-1098	OIL SIGHT GLASS	1		
17	N/A Sep.	CYLINDER GASKET (SEE 70-0420)	1		
18	46-1191	CYLINDER	1		
19	27-0117	BOLT	6		
20	N/A Sep.	CRANKCASE GASKET (SEE 70-0420)	1		
21	54-0034	CRANKCASE BREATHER TUBE	1		
22	23-0328	ADAPTER	1		
23	46-1121	OIL FILL PLUG	1		
24	46-1188	CRANKCASE	1		
25	48-0082	BALL BEARING	1		
26	N/A	CRANKSHAFT	1		
27	43-0117	KEY	1		
28	48-0084	BALL BEARING	1		
29	N/A Sep.	O-RING (SEE 70-0420)	1		
30	46-1189	BEARING FLANGE	1		
31	26-0291	OIL SEAL	1		
32	29-0007	LOCKWASHER	4		
33	27-0067	BOLT	4		
34	10-0132	FLYWHEEL	1		
35	N/A	CRANKSHAFT WASHER	1		
36	N/A	CRANKSHAFT NUT	1		
37	70-0423	HIGH PRESSURE CONNECTING ROD ASSEMBLY	1		
38	46-1192	HIGH PRESSURE PISTON	1		
39	70-0425	HIGH PRESSURE RING SET KIT	1		
40	N/A	BOLT	4		
41	70-0424	LOW PRESSURE CONNECTING ROD ASSEMBLY	1		
42	46-1193	LOW PRESSURE PISTON	1		
43	70-0426	LOW PRESSURE RING SET KIT	1		
44	70-0427	INTERCOOLER KIT (INC. 45, 46, 48-52)	1		
45	N/A Sep.	INTERCOOLER ELBOW (SEE 70-0427)	2		
46	N/A Sep.	INTERCOOLER LINE (SEE 70-0427)	1		
47	70-0428	INTERCOOLER HOLDER KIT (INC. 48-52)	1		
48	27-0015	BOLT	1		
49	N/A Sep.	INTERCOOLER BRACKET (SEE 70-0428)	1		
50	N/A Sep.	INTERCOOLER CLAMP (SEE 70-0428)	1		
51	28-0002	WASHER	1		
52	30-0155	LOCKNUT	1		
KIT	70-0421	GASKET/VALVE PLATE (INC. 8, 11, 12, 14)			

Id	Item #	Description	Quantity	Rev	Comments
KIT	70-0420	GASKET (INC. 8, 12, 17, 20, 29)			
KIT	70-0431	VALVE PLATE (INC. 11, 14)			



AS2-PV13-30M / AS2-PV13-30M (sn:0-99999999)

PILOT VALVE



Id	Item #	Description	Quantity	Rev	Comments
1	N/A Sep.	INLET PORT FITTING (SEE 22-0394)	1		
2	N/A Sep.	MAIN BODY (SEE 22-0394)	1		
3	N/A Sep.	SET SCREW (SEE 22-0394)	1		
4	N/A Sep.	PISTON (SEE 70-0449)	1		
5	N/A Sep.	UNLOADER VALVE SPRING (SEE 70-0449)	1		

Id	Item #	Description	Quantity	Rev	Comments
6	N/A Sep.	CAP (SEE 22-0394)	1		
7	N/A Sep.	OUTLET PORT (SEE 22-0394)	1		
8	N/A Sep.	O-RING (SEE 70-0449)	2		
9	N/A Sep.	CHECK VALVE (SEE 22-0394)	1		
10	N/A Sep.	O-RING (SEE 70-0449)	1		
11	N/A Sep.	UNLOADER STEM (SEE 70-0449)	1		
12	N/A Sep.	DIAPHRAM (SEE 70-0449)	1		
13	N/A Sep.	PILOT BODY (SEE 22-0394)	1		
14	N/A Sep.	BALL (SEE 70-0449)	1		
15	N/A Sep.	DIFFERENTIAL ADJUSTING LOCKNUT (SEE 22-0394)	1		
16	N/A Sep.	O-RING (SEE 70-0449)	1		
17	N/A Sep.	DIFFERENTIAL ADJUSTING NUT (SEE 22-0394)	1		
18	N/A Sep.	PRESSURE ADJUSTING LOCKNUTV	1		
19	N/A Sep.	PRESSURE ADJUSTING TOGGLE ASSEMBLY (SEE 70-0449)	1		
20	N/A Sep.	TOGGLE COVER (SEE 22-0394)	1		
21	N/A Sep.	O-RING (SEE 70-0449)	1		
22	N/A Sep.	SCREEN (SEE 70-0449)	1		
23	N/A Sep.	WASHER (SEE 22-0394)	4		
24	N/A Sep.	SCREW (SEE 22-0394)	4		
	70-0449	REPAIR KIT (INC. 4, 5, 8, 10-12, 14, 16, 19, 21, 22)			
	22-0394	COMPLETE PILOT VALVE (INC. 1-24)			