

PARTS LIST MANUAL

EDCO VAC 120

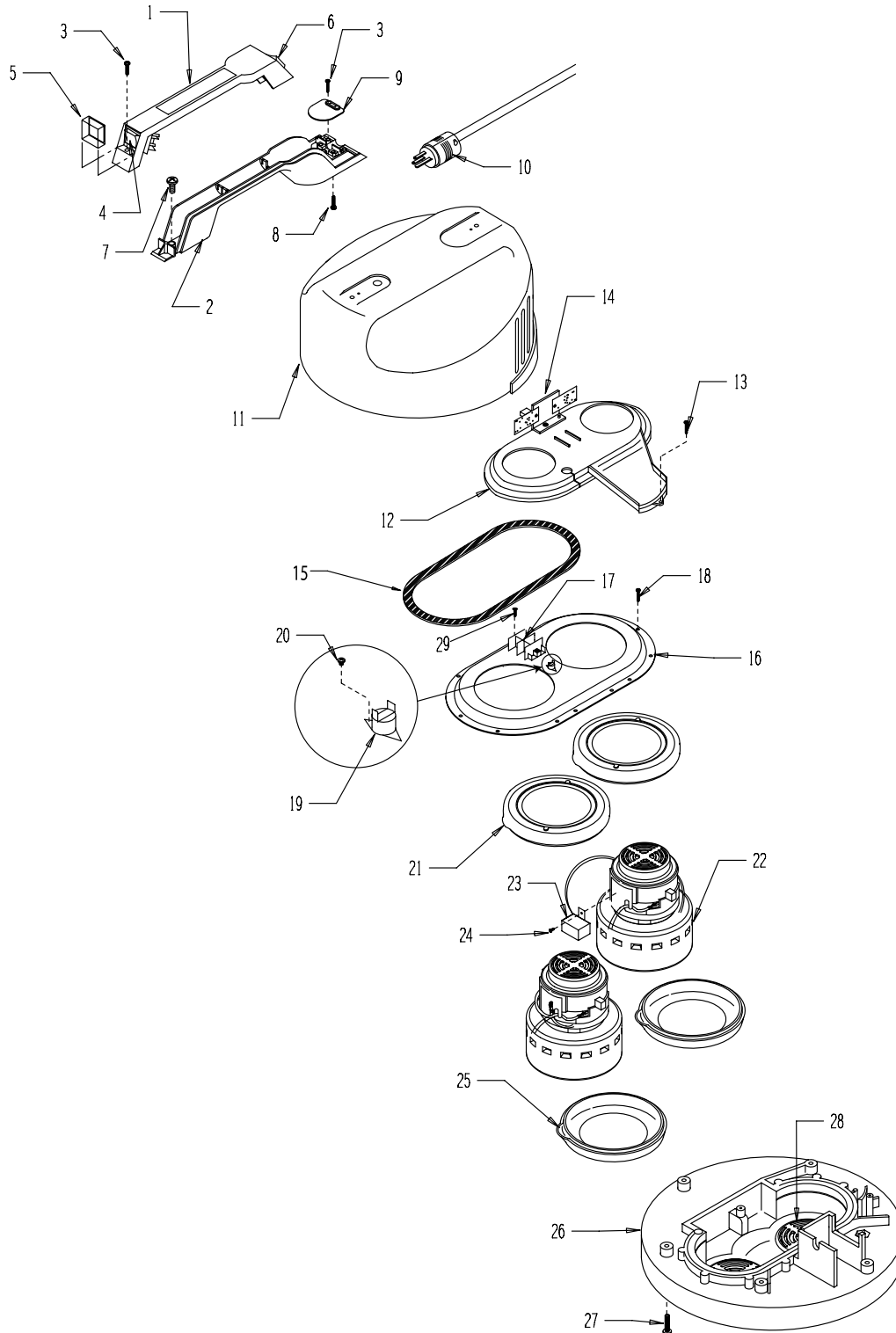
NO. 93700



**Two Speed 120 Volt AC
Electric Powered Industrial Vacuum
Dust Collector System**

ILLUSTRATION 1: POWER HEAD ASSEMBLY

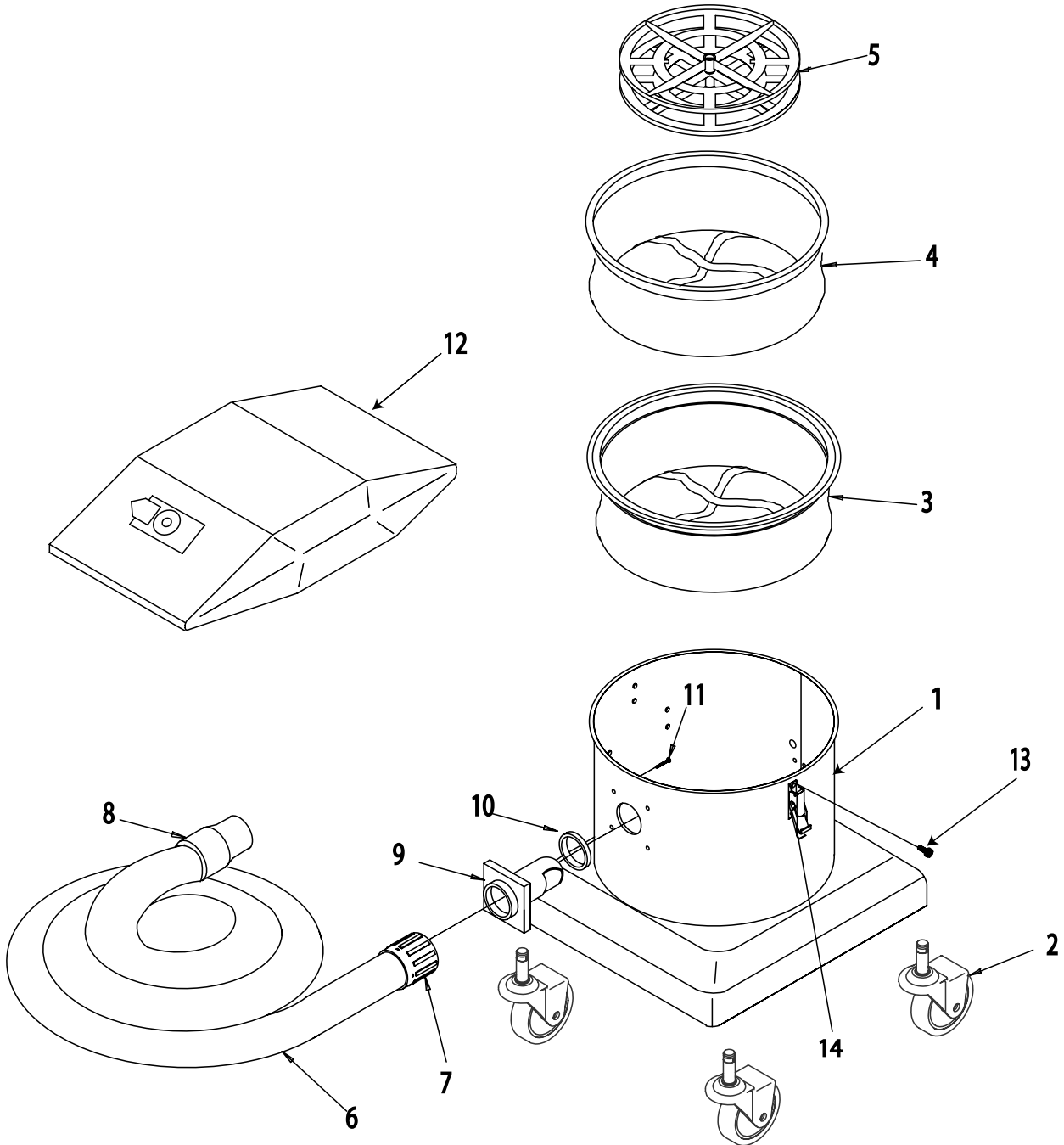
NO. 93412



PARTS LISTING - ILLUSTRATION 1: POWER HEAD ASSEMBLY

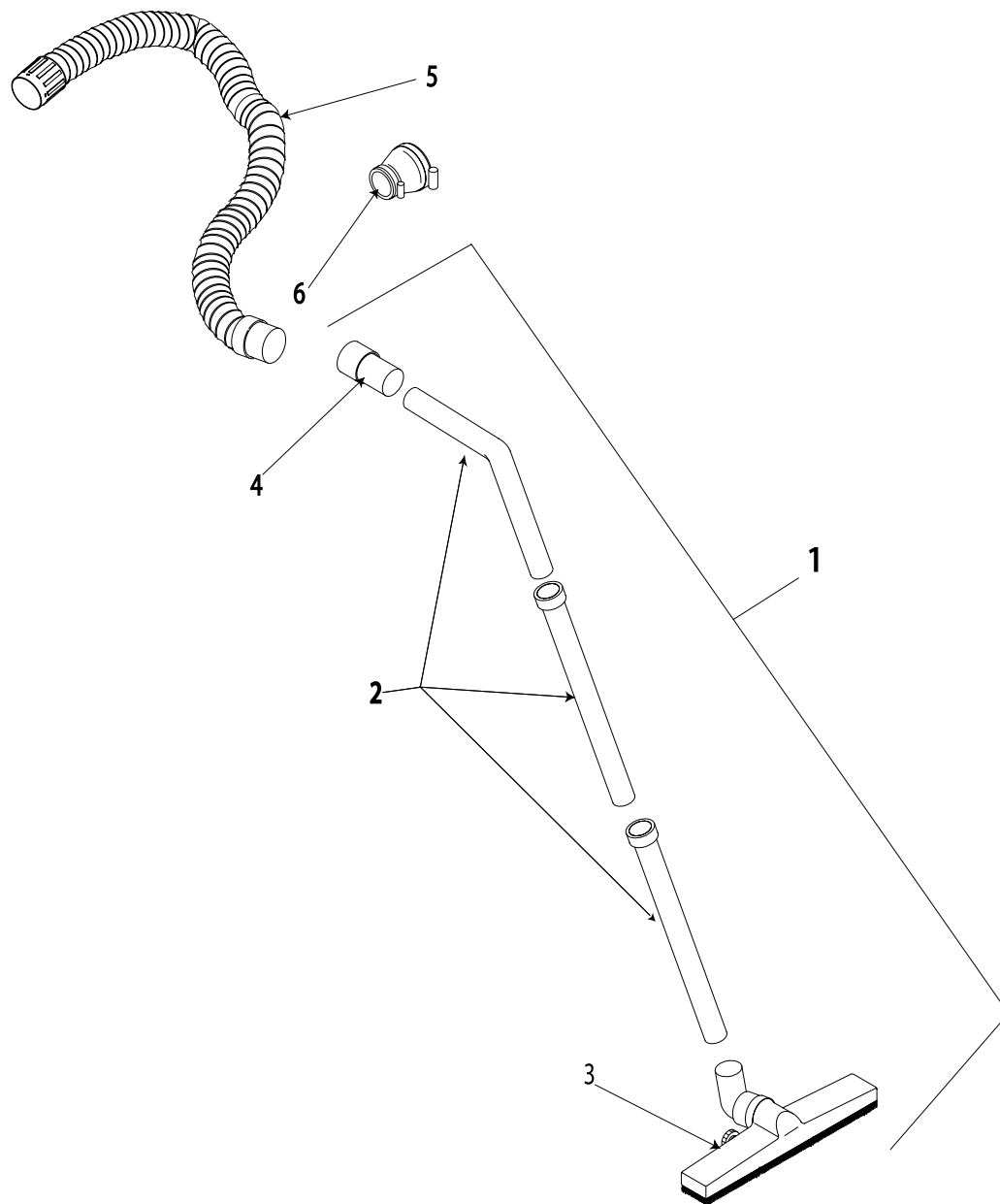
ITEM #	PART #	DESCRIPTION	QTY.
1	93426	HANDLE COVER, DUAL SWITCH	1
2	93427	HANDLE BODY MOULDING	1
3	93431	SCREW, PLASTITE NO. 6 x 5/8	3
4	93428	SWITCH, RED ROCKER ON/OFF	1
5	93430	SWITCH BOOT	2
6	93429	SWITCH, GREEN ROCKER, HI/LO	1
7	93472	SCREW, SEMS M5 x 20mm	1
8	93461	SCREW, M4 x 8mm SEMS	2
9	93476	CLAMP, CORD	1
10	93480	CORD w/ PLUG 16/3 x 41 FT.	1
11	93478	COVER MOULDING	1
12	93477	AIR SEPARATOR, DUPLEX	1
13	93467	SCREW, PLASTITE NO. 8 x 5/8	1
14	93433	SPEED CONTROL (TRIAC)	1
15	93439	GASKET, AIR SEPARATOR	1
16	93482	HOUSING, MOTOR TOP	1
17	93434	TERMINAL BLOCK	1
18	93467	SCREW, PLASTITE NO. 8 x 5/8	13
19	93436	THERMAL CUT-OUT	1
20	93469	SCREW, TAPTITE M5 x 3mm	2
21	93437	GASKET, MOTOR TOP	2
22	93411	MOTOR, 110-120V BYPASS, 1.3HP	2
23	93435	SUPPRESSOR ASSEMBLY	2
24	93473	SCREW, TAPTITE SEMS M4 x 6mm	2
25	93438	GASKET, MOTOR BOTTOM	2
26	93481	HOUSING, MOTOR BOTTOM	1
27	93466	SCREW, PLASTITE NO. 8 x 1 S.S.	6
28	93441	GUARD, FAN	2
29	93468	SCREW. SEMS M4 x 12mm	2

ILLUSTRATION 2: CONTAINER ASSEMBLY



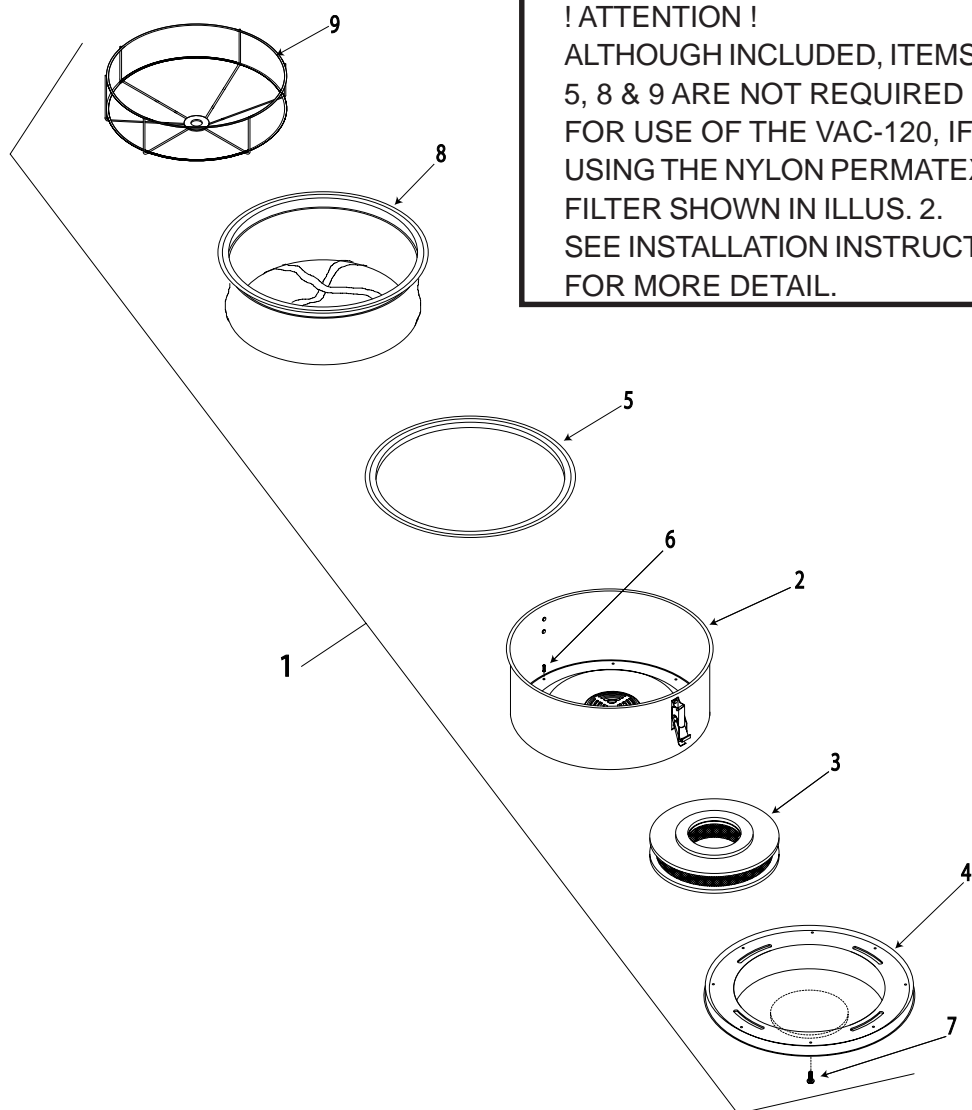
PARTS LISTING - ILLUSTRATION 2: CONTAINER ASSEMBLY			
ITEM #	PART #	DESCRIPTION	QTY.
1	93701	CONTAINER	1
2	93702	CASTER, 75mm DIA.	4
3		FILTER, NYLON PERMATEX 14"	1
	93408	w/out GRID	
	93407	with GRID (ITEM # 5)	
4	93406	FILTER, MICROTEx	1
5	93449	FILTER GRID	1
6	93706	HOSE, 2" ID x 10'L w/ CUFF (INCLUDES ITEMS 7 & 8)	1
7	93414	HOSE COLLAR, 2"	1
8	93415	HOSE CUFF, 2" to 2"	1
9	93442	FLANGE, DRY HOSE CONNECTION	1
10	93705	GASKET, FLANGE	1
11	93462	SCREW, PLASTITE NO. 8 x 1/2	4
12	93707	BAG, DISPOSABLE NVM-3B (PKG. of 10)	1
13	93455	SCREW, SEMS M5 x 10mm	4
14	93703	LATCH	2

ILLUSTRATION 3: WAND KIT, HOSE & ADAPTOR



ITEM #	PART #	DESCRIPTION	QTY.
1	93401	WAND KIT (ITEMS 2-4)	1
2	93402	WAND, STAINLESS STEEL, 3-PIECE 1-1/2"	1
3	93403	WAND BRUSH ATTACHMENT 16"	1
4	93416	CUFF, HOSE 2" TO 1-1/2"	1
5	93706	HOSE, 2" ID x 10' L w/ CUFF	1
6	15153	ADAPTOR, RUBBER 2" TO 3"	1

ILLUSTRATION 4: HEPA MICRO-FILTER ASSEMBLY



! ATTENTION !
 ALTHOUGH INCLUDED, ITEMS
 5, 8 & 9 ARE NOT REQUIRED
 FOR USE OF THE VAC-120, IF
 USING THE NYLON PERMATEX
 FILTER SHOWN IN ILLUS. 2.
 SEE INSTALLATION INSTRUCTIONS
 FOR MORE DETAIL.

ITEM #	PART #	DESCRIPTION	QTY.
1	93404	HEPA MICRO-FILTER ASSEMBLY, OPTIONAL	1
2	N/A	FILTER CANISTER, HEPA	1
3	93405	CARTRIDGE, HEPA	1
4	93499	FILTER TRAY, HEPA	1
5	93498	GASKET SEAL	1
6	N/A	THREADED INSERT	6
7	93455	SCREW, SEMS M5 x 10mm PHILLIPS	6
8	N/A	FILTER, NYLON PERMATEX 14" (SECONDARY)	1
9	93491	FILTER GRID, HEPA	1