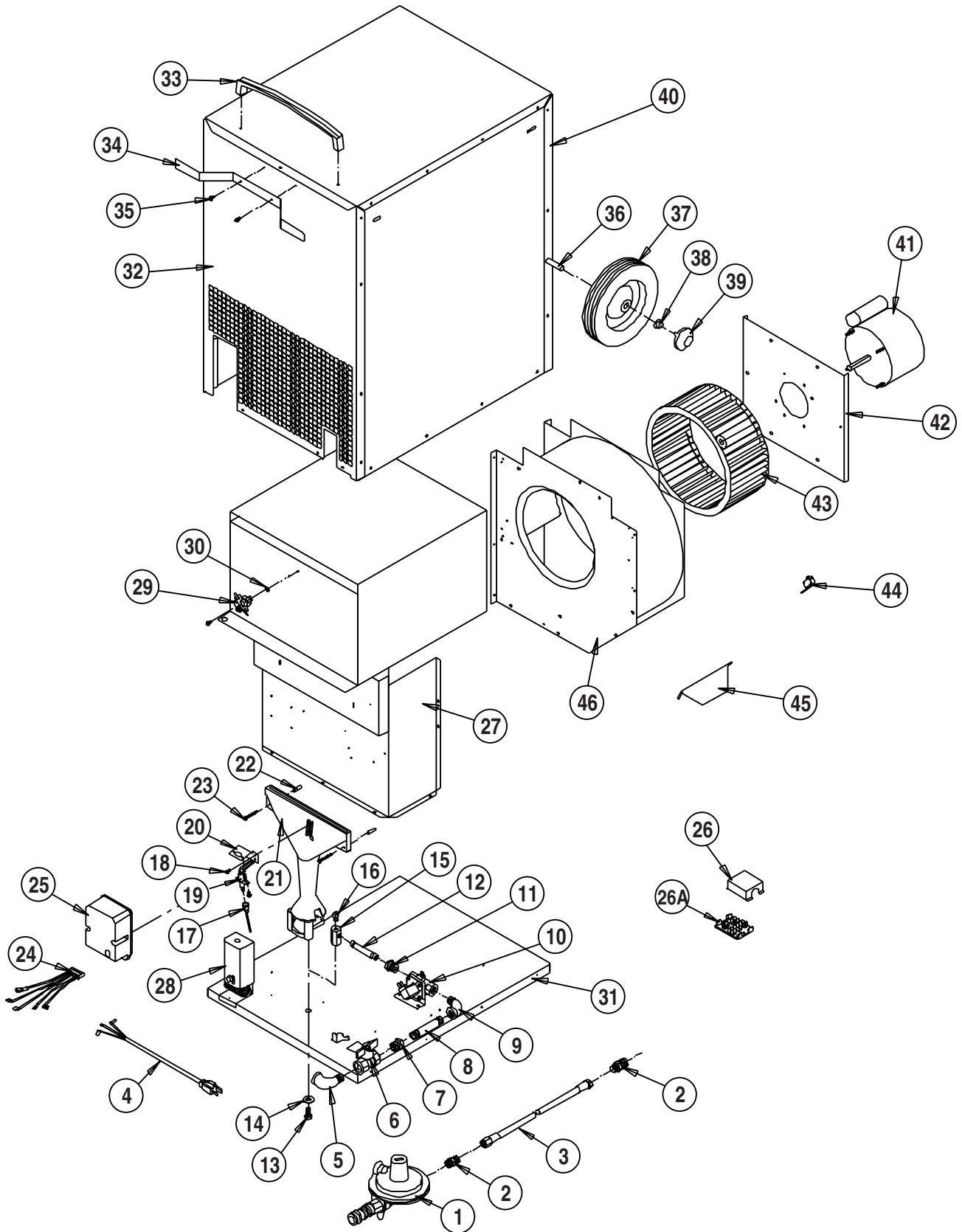




PREMIER SERIES
and Other Unit Heaters

Tent Heaters

MODELS 290A & 290B



Unit Heaters

PARTS IDENTIFICATION

Item	Description	Models	
		290A	290B
1	Regulator, L.P. Gas	400-09911	
2	Adapter, Hose	310-02894	
3	Hose, 1/2 In. x 10 Ft.	550-20704	
4	Cord, Power	120-03438	
5	EII	130-01359	
6	Valve, Manual Shut Off	130-05548	
7	Bushing	130-01195	
8	Nipple	130-03123	
9	EII	130-01175	
10	Valve, Gas Control	410-05547	
11	Bushing	130-01544	
12	Nipple	130-03114	
13	Bolt	130-02692	
14	Washer	130-01589	
15	Holder, Orifice	310-02690	
16	Orifice, Burner	310-02691	
17	Wire, Igniter	120-09348	
18	Screw	130-07288	
19	Ignitor	410-06479	
20	Bracket, Ignitor	260-06524	
21	Burner	320-03453	
22	Spacer	130-02687	
23	Screw, Burner	130-02688	
24	Harness, Wire	120-06540	
25	Control, Ignition	550-07324	
26	Cover, Terminal Box	500-02686	
26A	Board, Terminal	120-20171	
27	Chamber, Heat	420-02667	
28	Thermostat w/ Bracket	500-05568	
29	Switch, High Limit	120-07264	120-05566
30	Spacer	130-02725	
31	Base	220-05577	
32	Case, Panel, Burner End	270-05910	
33	Handle	130-06526	
34	Bracket, Hose	410-06423	
35	Screw	130-06416	
36	Axle	330-06421	
37	Wheel	130-09160	
38	Pal Nut	130-01095	
39	Cap	130-07178	
40	Case, Panel, Motor End	270-05906	
41	Motor	550-20554	
42	Bracket, Motor Mount	220-03764	
43	Fan	130-02684	
44	Switch, Air Proving	500-02680	
45	Sail, Flapper	240-02441	
46	Housing, Fan w/ Sail & Air Proving Switch	500-05570	