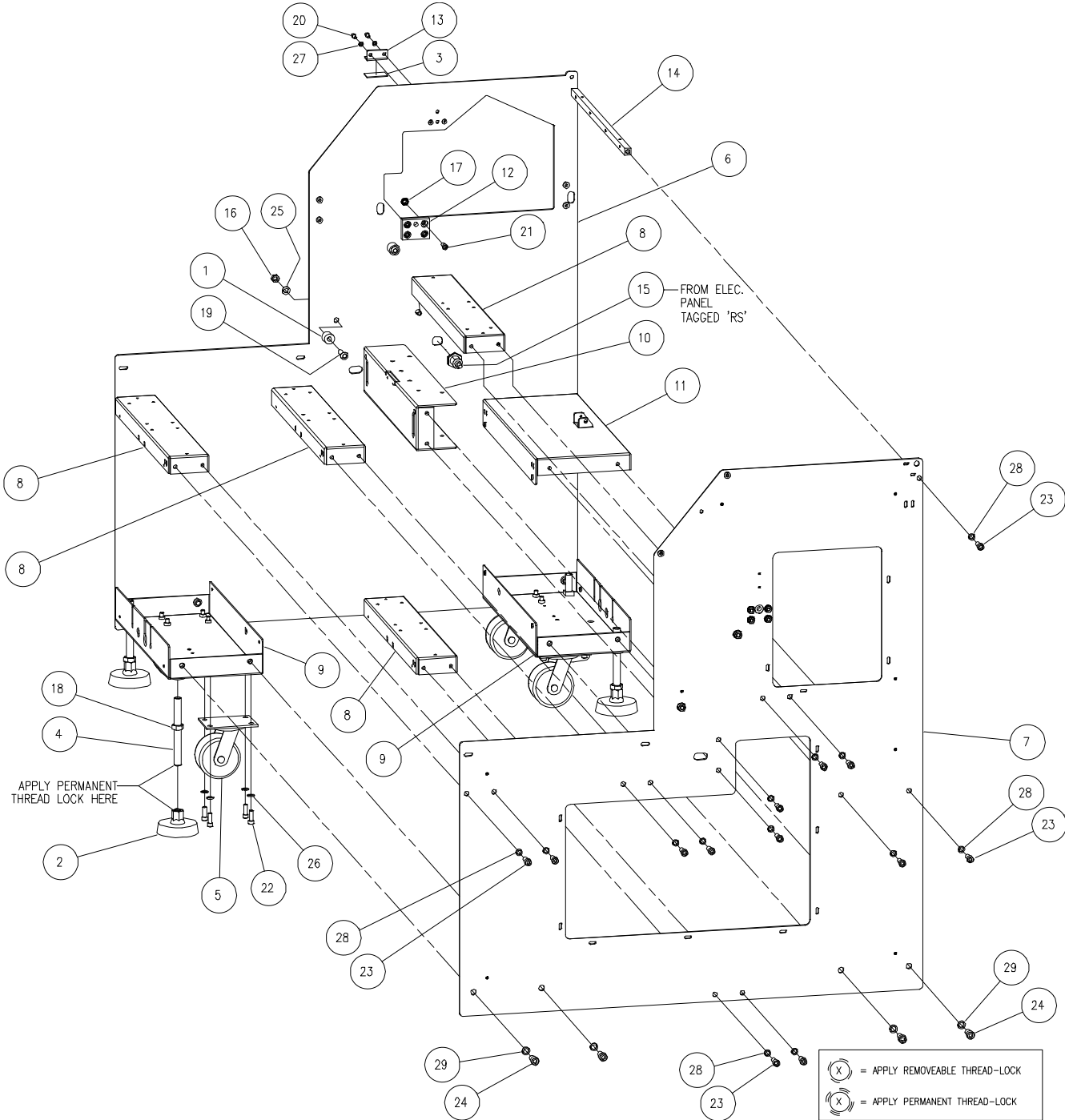


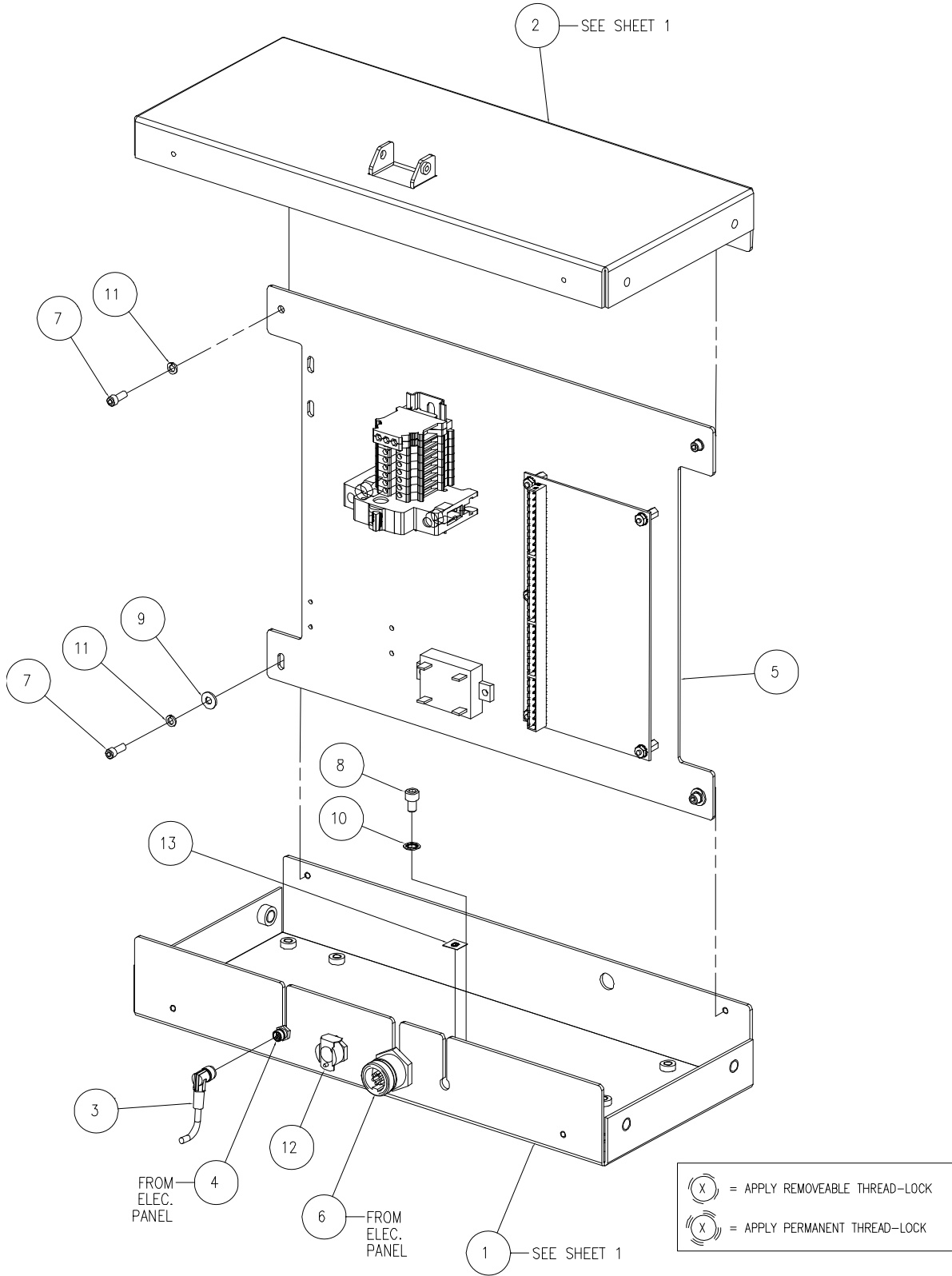
8.0 Part Lists and Wiring Diagrams

8.1 Main Assembly – 130 Model, 58000TCA (1/9) – Side Frames



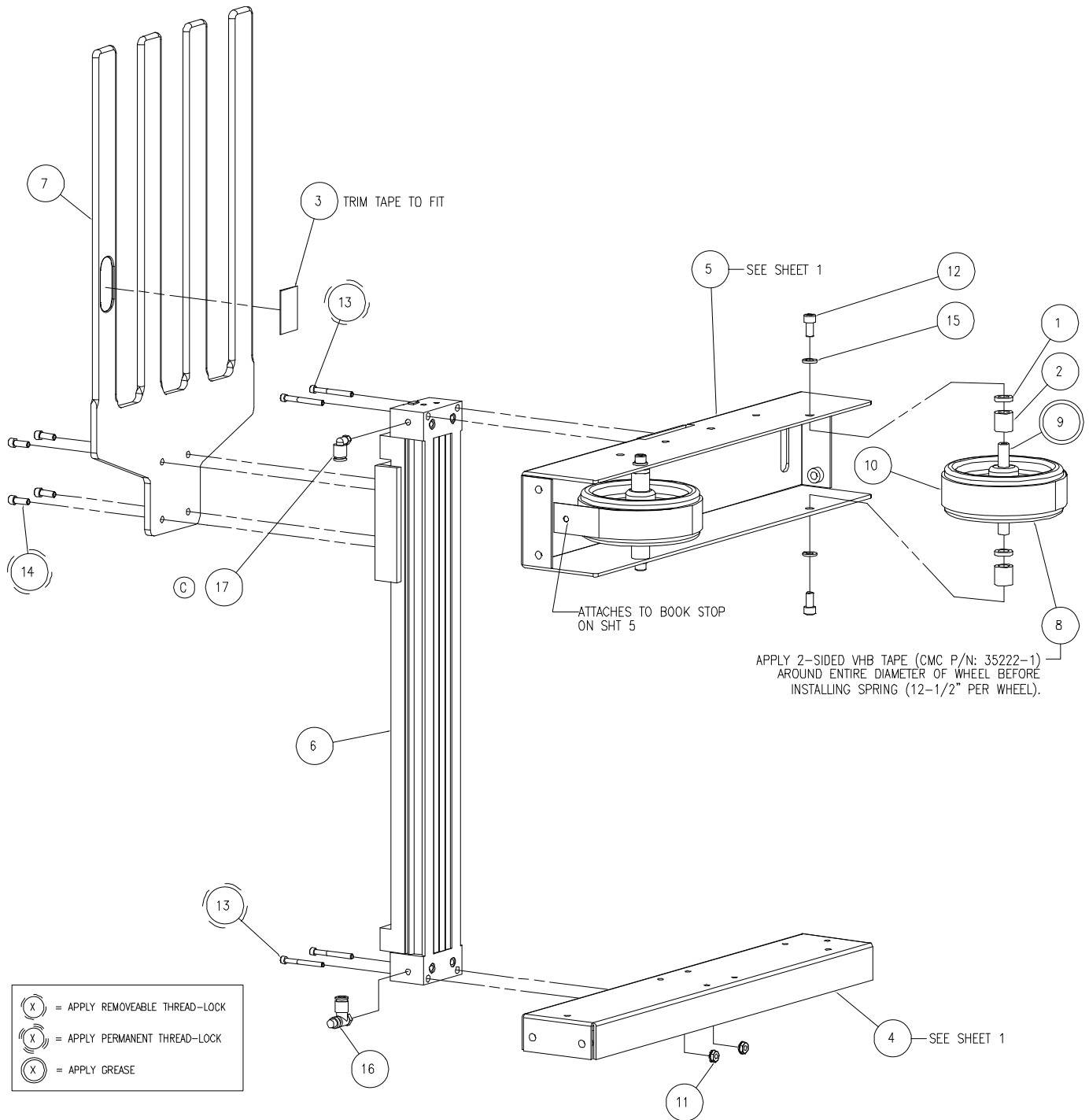
ITEM	PART NO.	DESCRIPTION	QTY
1	11288-35	WASHER/SPACER	4
2	51036	FOOT	4
3	56180_X_1PT5INCHES	REFLECTIVE TAPE - 1" WIDE X 1-1/2" LONG	1
4	56456	THREADED ROD	4
5	56805	CASTER	4
6	58001	SIDE FRAME LH	1
7	58002	SIDE FRAME RH	1
8	58003	CROSS BRACKET	4
9	58004-1	LOWER CROSS BRACKET	2
10	58005	CROSS BRACKET	1
11	58006	CROSS BRACKET - ELEC PANEL	1
12	58012	BEARING BLOCK	2
13	58029-1	REFLECTOR BRACKET	1
14	58539	TIE BAR	1
15	EE-3541-5	PROX. ASM. - ROLLER START - (RS)	REF
16	H-6417-5	NUT - 5/16-18 HEX	4
17	H-6423-4	NUT - 1/4-20 HEX KEP	8
18	H-6424-8	NUT - 1/2-13 HEX JAM	4
19	H-6910-510	SCREW - 5/16-18 X 1-1/4 BUTTON HEAD CAP	4
20	H-6918-102404	SCREW - #10-24 X 1/2 SOCKET HEAD CAP	2
21	H-6918-405	SCREW - 1/4-20 X 5/8 SOCKET HEAD CAP	8
22	H-6918-406	SCREW - 1/4-20 X 3/4 SOCKET HEAD CAP	16
23	H-6918-506	SCREW - 5/16-18 X 3/4 SOCKET HEAD CAP	26
24	H-6918-606	SCREW - 3/8-16 X 3/4 SOCKET HEAD CAP	8
25	H-7327-10	WASHER - 5/16 MEDIUM LOCK	4
26	H-7327-8	WASHER - 1/4 MEDIUM LOCK	16
27	H-7327-#10	WASHER - #10 MEDIUM LOCK	2
28	H-7329-5	WASHER - 5/16 HIGH COLLAR LOCK	26
29	H-7329-6	WASHER - 3/8 HIGH COLLAR LOCK	8

8.2 Main Assembly – 130 Model, 58000TCA (2/9) – Power Panel



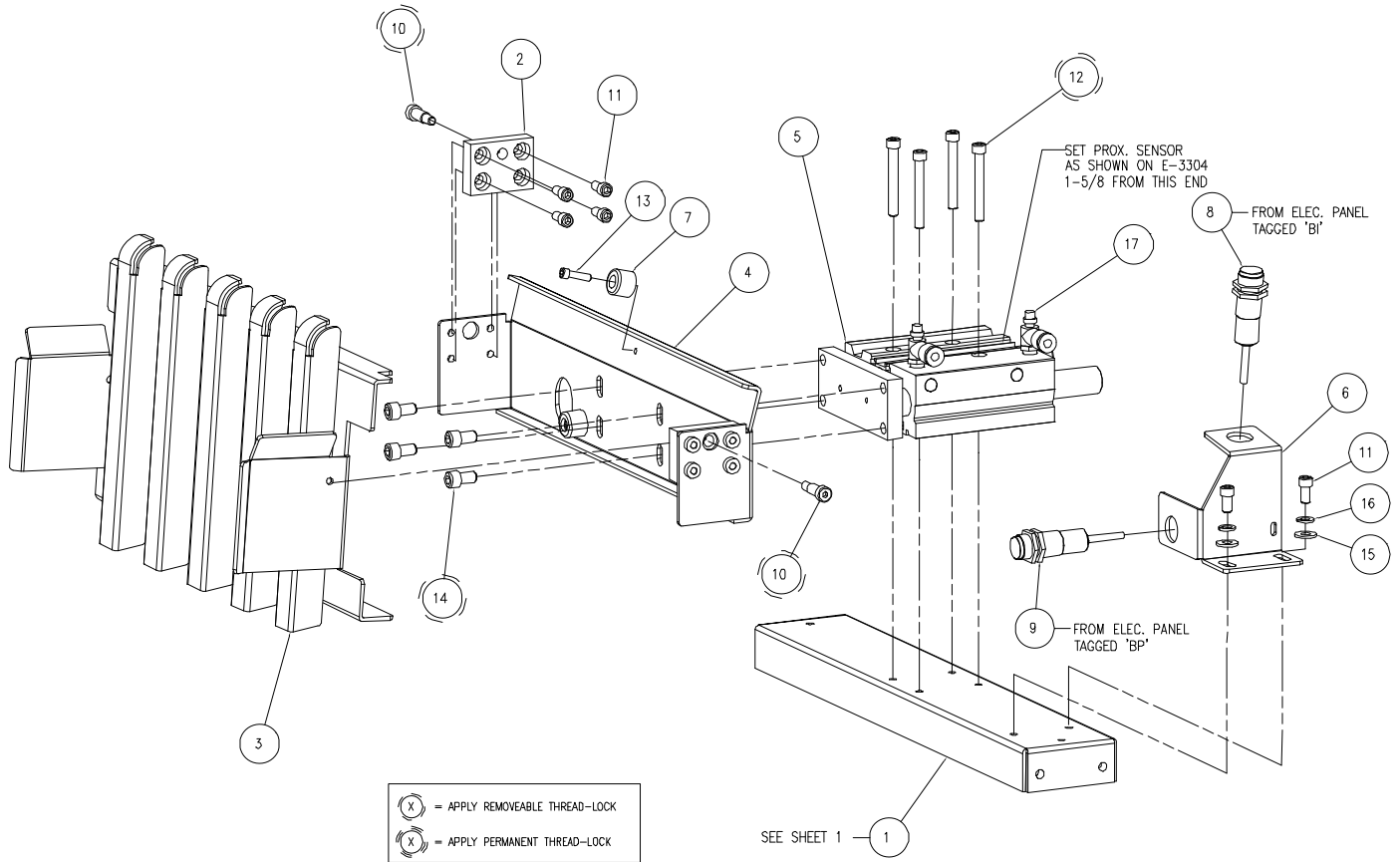
ITEM	PART NO.	DESCRIPTION	QTY
1	58004-1	LOWER CROSS BRACKET	REF
2	58006	CROSS BRACKET - ELEC PANEL	REF
3	E-3505-1	'CAN' CABLE JUMPER	1
4	EE-3460-3	PLUG ASM. - MALE, 'CAN'	REF
5	EE-3518	ELECTRICAL PANEL ASM.	1
6	EE-3550	PLUG ASM. - MALE, INCOMING POWER	REF
7	H-6918-102404	SCREW - #10-24 X 1/2 SOCKET HEAD CAP	4
8	H-6918-403	SCREW - 1/4-20 X 3/8 SOCKET HEAD CAP	1
9	H-7321-#10	WASHER - #10 SAE PLAIN	2
10	H-7324-8	WASHER - 1/4 INT TOOTH	1
11	H-7327-#10	WASHER - #10 MEDIUM LOCK	4
12	P-515	PUSH-IN CONNECTOR (1/4 FEM PASS-THRU)	1
13	S-1781-42	LABEL - GROUND	1

8.3 Main Assembly – 130 Model, 58000TCA (3/9) – Fingered Stop



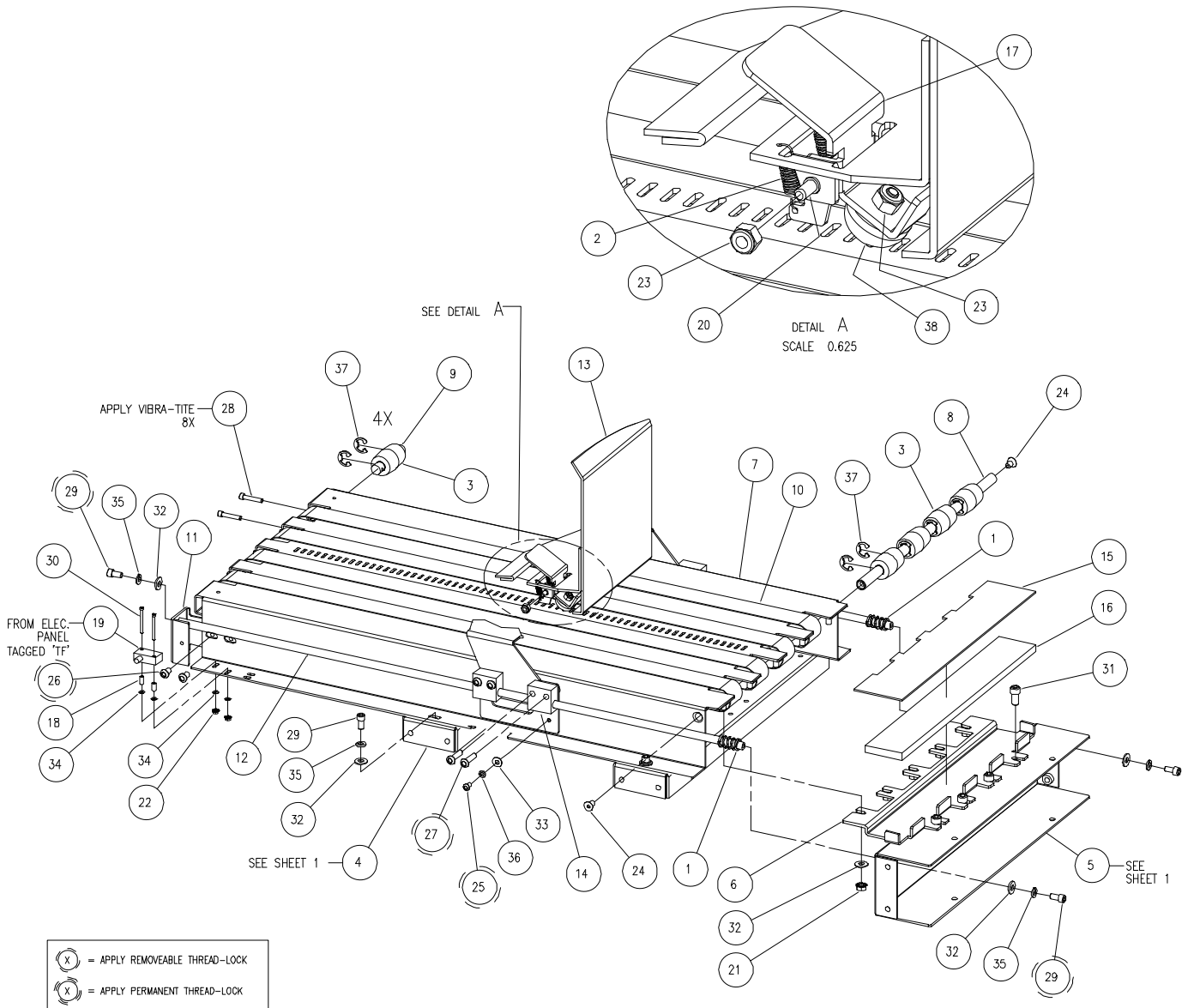
ITEM	PART NO.	DESCRIPTION	QTY
1	11288-32	WASHER/SPACER	4
2	11288-34	WASHER/SPACER	4
3	56180_X_1PT5INCHES	REFLECTIVE TAPE - 1" WIDE X 1-1/2" LONG	1
4	58003	CROSS BRACKET	REF
5	58005	CROSS BRACKET	REF
6	58026	AIR CYLINDER - RODLESS	1
7	58027	FINGERED BOOK STOP PLATE	1
8	58037	WHEEL	2
9	58038	AXLE	2
10	58039	CONSTANT FORCE SPRING	2
11	H-6423-#8	NUT - #8-32 HEX KEP	2
12	H-6918-404	SCREW - 1/4-20 X 1/2 SOCKET HEAD CAP	4
13	H-6918-83212	SCREW - #8-32 X 1-1/2 SOCKET HEAD CAP	4
14	H-6918-M514	SCREW - M5 X 14MM SOCKET HEAD CAP	4
15	H-7327-8	WASHER - 1/4 MEDIUM LOCK	4
16	P-304-1	FLOW CONTROL ELBOW-1/4 TUBE X #10-32	1
17	P-503-41032	ELBOW-1/4 TUBE X #10-32	1

8.4 Main Assembly – 130 Model, 58000TCA (4/9) – Book Pusher



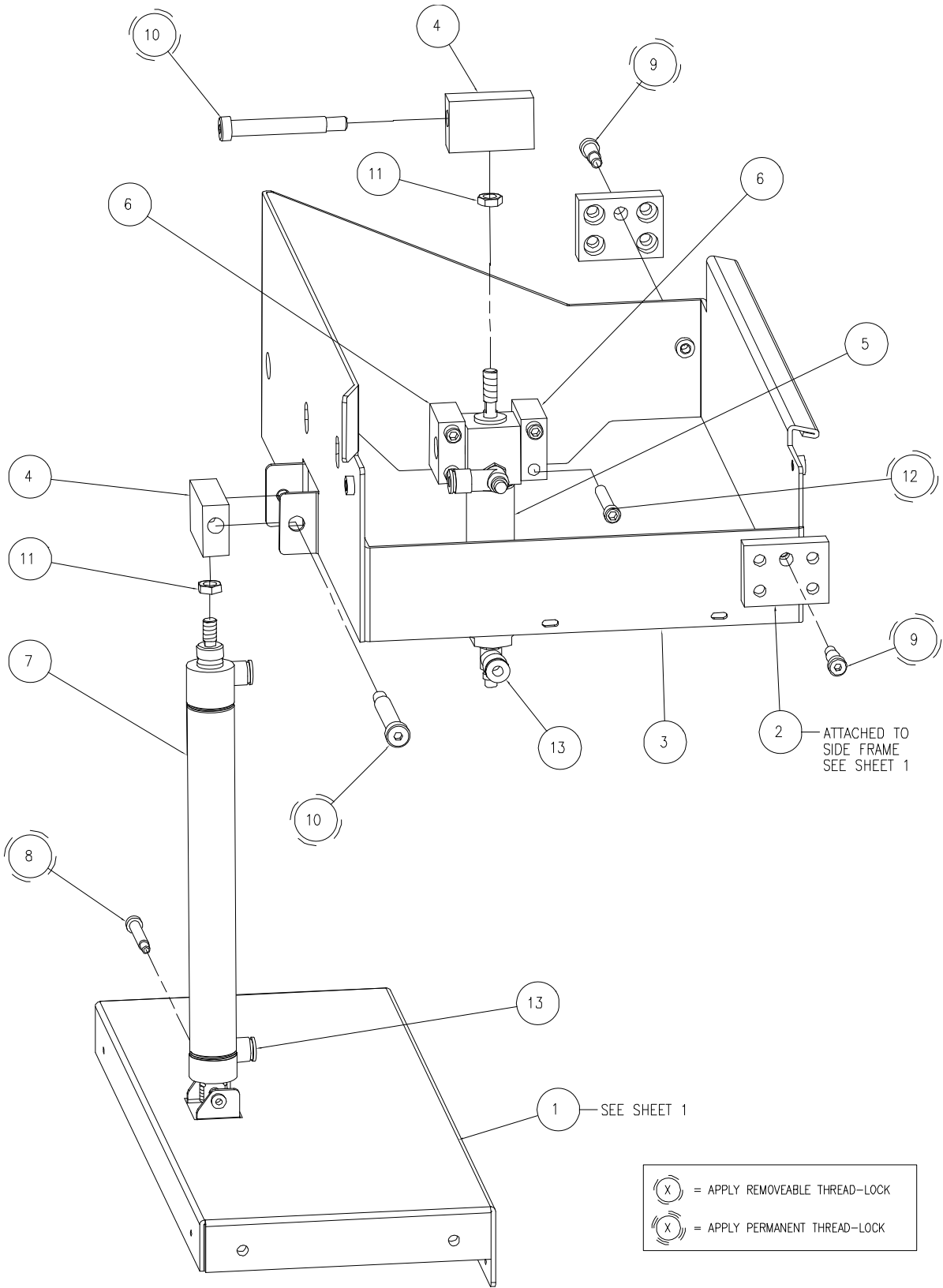
ITEM	PART NO.	DESCRIPTION	QTY
1	58003	CROSS BRACKET	REF
2	58012	BEARING BLOCK	2
3	58020	BOOK PUSHER WELDMENT	1
4	58023	CYLINDER BRACKET	1
5	58024	GUIDED AIR CYLINDER	1
6	58067	SENSOR BRACKET	1
7	A-11074	FOOT - RUBBER	2
8	EE-3541-3	PROX. ASM - BOOK IN STACKER - 'BI'	REF
9	EE-3541-4	PROX. ASM - BOOK @ PUSHER - 'BP'	REF
10	H-5254-505	SCREW - 5/16 X 5/8 SHSS	2
11	H-6918-404	SCREW - 1/4-20 X 1/2 SOCKET HEAD CAP	10
12	H-6918-416	SCREW - 1/4-20 X 2 SOCKET HEAD CAP	4
13	H-6918-102406	SCREW - #10-24 X 3/4 SOCKET HEAD CAP	2
14	H-6918-M814	SCREW - M8 X 14MM SOCKET HEAD CAP	4
15	H-7321-4	WASHER - 1/4 SAE PLAIN	2
16	H-7327-8	WASHER - 1/4 MEDIUM LOCK	2
17	P-304	FLOW CONTROL ELBOW-1/4 TUBE X 1/8 NPT	2

8.5 Main Assembly – 130 Model, 58000TCA (5/9) – Tray



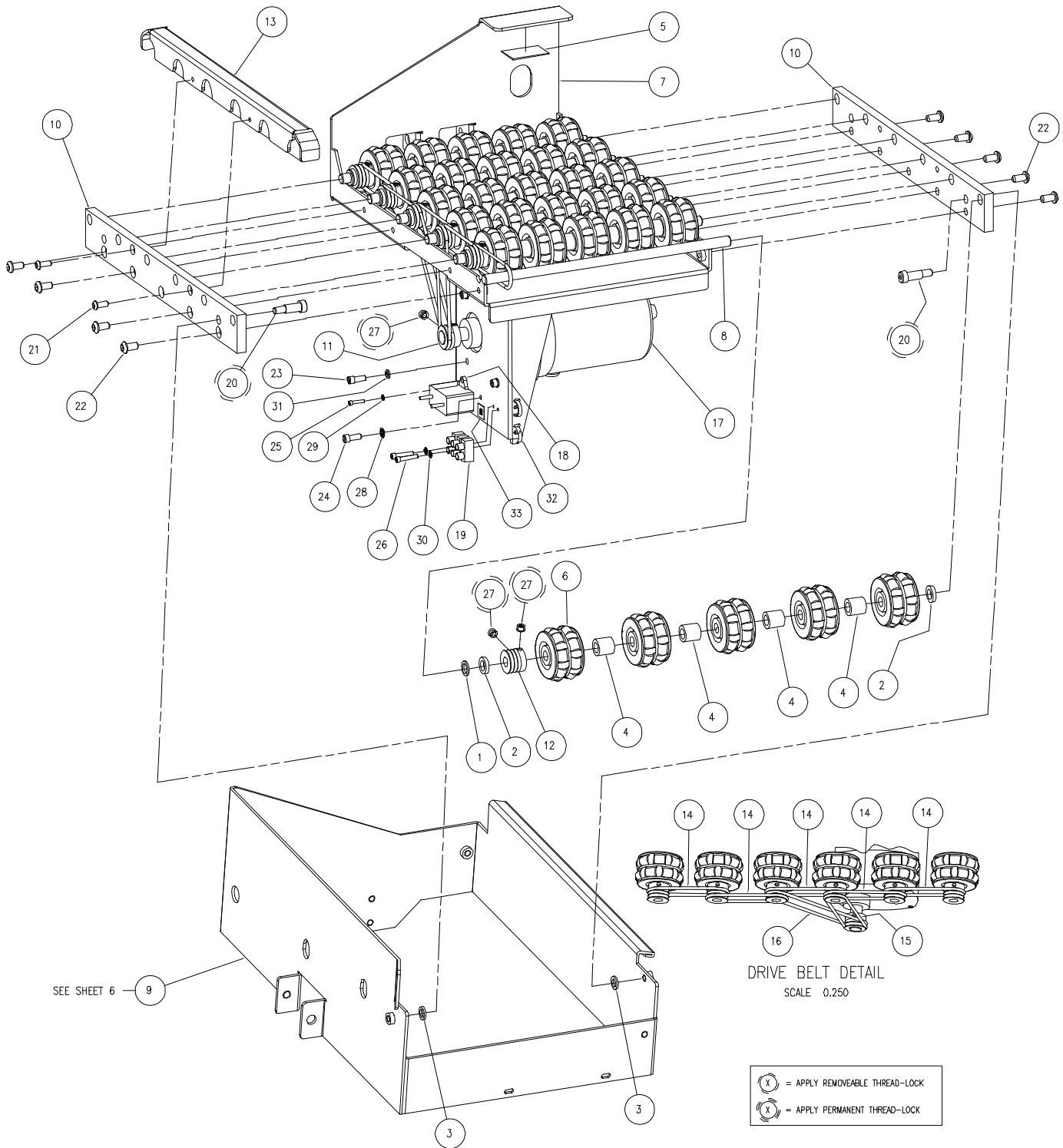
ITEM	PART NO.	DESCRIPTION	QTY
1	35048-23	SPRING	2
2	47136-19	SPRING	2
3	56669	PULLEY	8
4	58003	CROSS BRACKET	REF
5	58005	CROSS BRACKET	REF
6	58025	TRAY MOUNTING BRACKET	1
7	58028	TRAY	1
8	58030	AXLE	1
9	58031	AXLE	4
10	58032	ENDLESS BELT	4
11	58033	GUIDE ROD BRACKET	2
12	58034	TRANSPORT GUIDE ROD	2
13	58035-1	WELDMENT - BOOK STOP	1
14	58036	BEARING BLOCK	4
15	58062	PAD WITH ADHESIVE	1
16	58063	RUBBER PAD	1
17	58070	LATCH LEVER	1
18	E-1152-78	STANDOFF	2
19	EE-2952-9	PROX. ASM.- TRAY FULL	REF
20	H-5254-412	SCREW - 1/4 X 1-1/2 SHSS	1
21	H-6423-4	NUT - 1/4-20 HEX KEP	5
22	H-6423-#4	NUT - #4-40 HEX KEP	2
23	H-6442-#10	NUT - #10-24 NYLOC	2
24	H-6909-404	SCREW - 1/4-20 X 1/2" FLAT HEAD CAP	2
25	H-6910-102403	SCREW - #10-24 X 3/8 BUTTON HEAD CAP	2
26	H-6910-404	SCREW - 1/4-20 X 1/2 BUTTON HEAD CAP	4
27	H-6910-408	SCREW - 1/4-20 X 1 BUTTON HEAD CAP	8
28	H-6918-102408	SCREW - #10-24 X 1 SOCKET HEAD CAP	8
29	H-6918-404	SCREW - 1/4-20 X 1/2 SOCKET HEAD CAP	8
30	H-6918-44010	SCREW - #4-40 X 1-1/4 SOCKET HEAD CAP	2
31	H-6918-505	SCREW - 5/16-18 X 5/8 SOCKET HEAD CAP	4
32	H-7321-4	WASHER - 1/4 SAE PLAIN	13
33	H-7321-#10	WASHER - #10 SAE PLAIN	2
34	H-7321-#4	WASHER - #4 SAE PLAIN	4
35	H-7327-8	WASHER - 1/4 MEDIUM LOCK	8
36	H-7327-#10	WASHER - #10 MEDIUM LOCK	2
37	S-1193-50	E-RING - 1/2"	16
38	S-1756-1	FOOT - RUBBER	1

8.6 Main Assembly – 130 Model, 58000TCA (6/9) – Outer Tilt



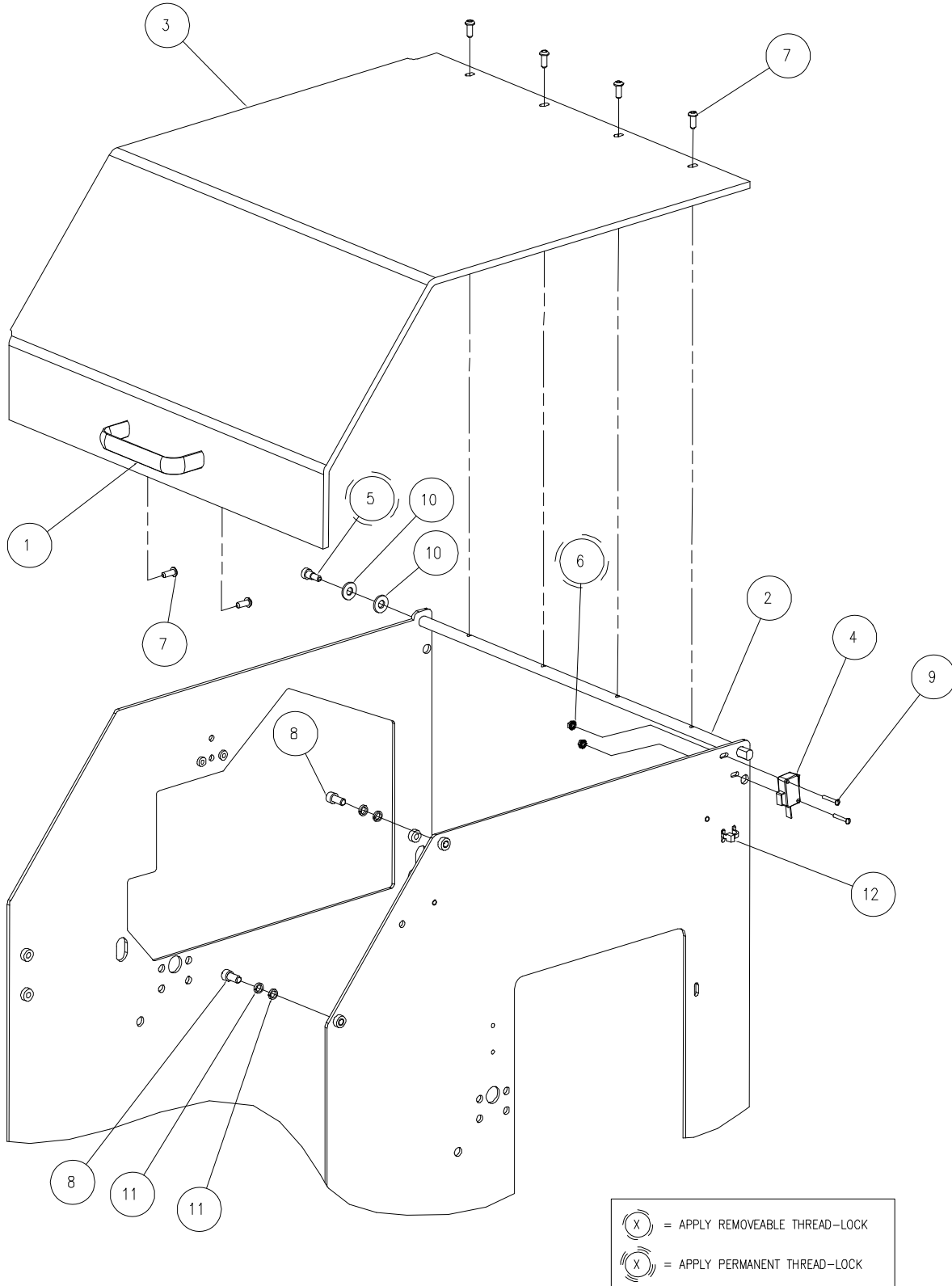
ITEM	PART NO.	DESCRIPTION	QTY
1	58006	CROSS BRACKET - ELEC PANEL	REF
2	58012	BEARING BLOCK	REF
3	58014	TILT CAGE	1
4	58015	CYLINDER END BLOCK	2
5	58016	AIR CYLINDER - TRUNNION TYPE	1
6	58017	BEARING BLOCK	2
7	58018_	AIR CYLINDER	1
8	H-5254-412	SCREW - 1/4 X 1-1/2 SHSS	1
9	H-5254-505	SCREW - 5/16 X 5/8 SHSS	2
10	H-5254-618	SCREW - 3/8 X 2-1/4 SHSS	2
11	H-6428-5	NUT - 5/16-24 HEX JAM	2
12	H-6918-414	SCREW - 1/4-20 X 1-3/4 SOCKET HEAD CAP	4
13	P-304	FLOW CONTROL ELBOW-1/4 TUBE X 1/8 NPT	4

8.7 Main Assembly – 130 Model, 58000TCA (7/9) – Inner Tilt



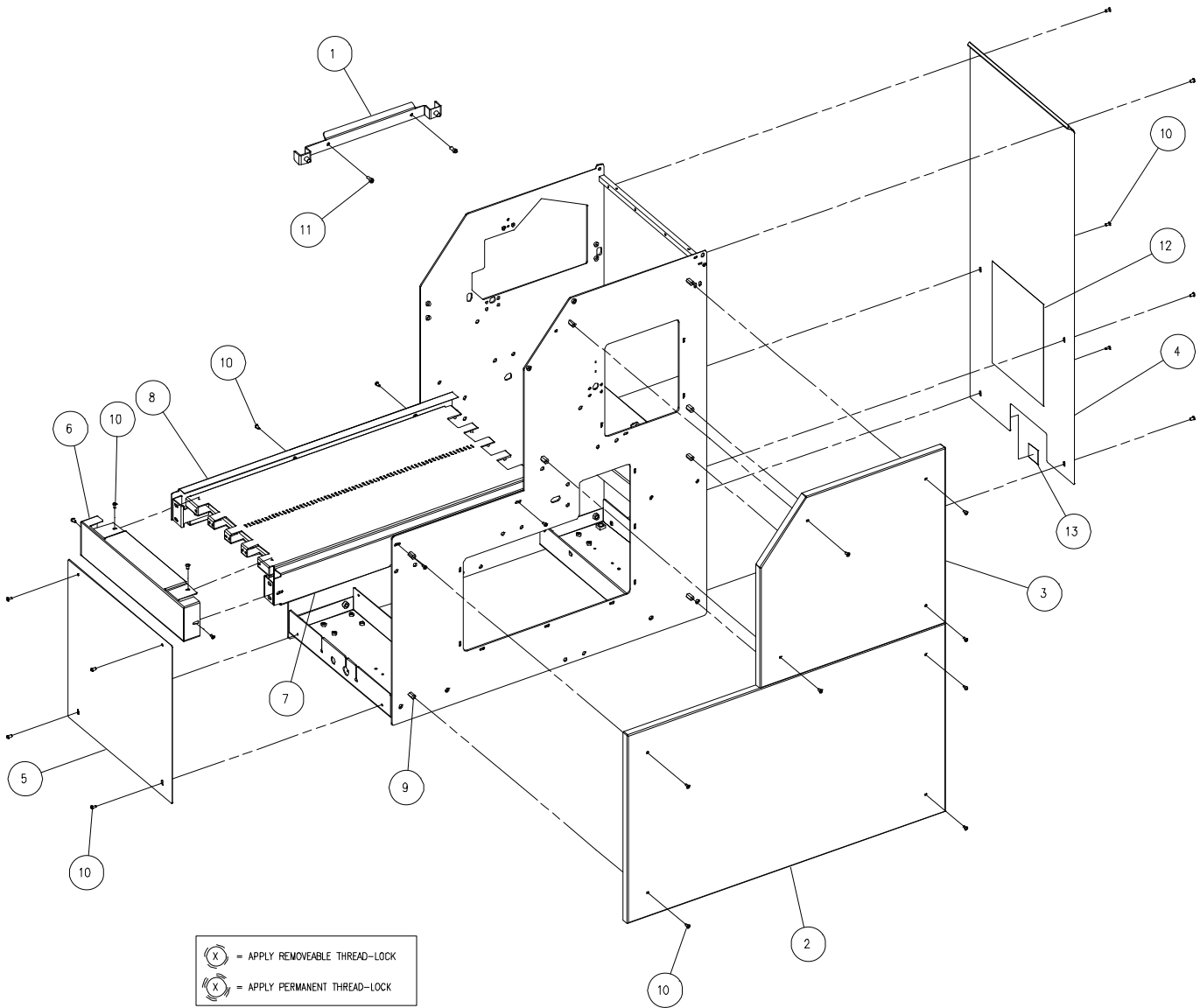
ITEM	PART NO.	DESCRIPTION	QTY
1	11288-20	WASHER/SPACER	6
2	11288-32	WASHER/SPACER	12
3	11288-33	WASHER/SPACER	2
4	11288-34	WASHER/SPACER	24
5	56180_X_1PT5INCHES	REFLECTIVE TAPE - 1" WIDE X 1-1/2" LONG	1
6	58010	MULTIDIRECTIONAL ROLLER	30
7	58011	TILT TRAY	1
8	58013	AXLE	6
9	58014	TILT CAGE	REF
10	58019	ROLLER MOUNTING BLOCK	2
11	58060	MOTOR PULLEY	1
12	58061	PULLEY	6
13	58064	BELT GUARD	1
14	58065	ROUND BELT - ENDLESS, ROLLER DRIVE	5
15	58066	ROUND BELT - ENDLESS, MOTOR DRIVE (SHORT)	1
16	58071	ROUND BELT - ENDLESS, MOTOR DRIVE (LONG)	1
17	E-1600-163	GEAR MOTOR	1
18	E-2181-4	CAPACITOR	1
19	E-2626-3	TERMINAL STRIP (3P)	1
20	H-5254-505	SCREW - 5/16 X 5/8 SHSS	2
21	H-6910-102404	SCREW - #10-24 X 1/2 BUTTON HEAD CAP	2
22	H-6910-404	SCREW - 1/4-20 X 1/2 BUTTON HEAD CAP	9
23	H-6915-103204	SCREW - #10-32 X 1/2 SOCKET HEAD CAP	4
24	H-6918-102404	SCREW - #10-24 X 1/2 SOCKET HEAD CAP	1
25	H-6918-44004	SCREW - #4-40 X 1/2 SOCKET HEAD CAP	1
26	H-6918-63206	SCREW - #6-32 X 3/4 SOCKET HEAD CAP	2
27	H-6938-102403	SCREW - #10-24 X 3/16 CUP SOC SET	14
28	H-7324-#10	WASHER - #10 INT TOOTH	1
29	H-7324-#4	WASHER - #4 INT TOOTH	1
30	H-7324-#6	WASHER - #6 INT TOOTH	2
31	H-7327-#10	WASHER - #10 MEDIUM LOCK	4
32	S-1694	TYRAP	2
33	S-1781-42	LABEL - GROUND	1

8.8 Main Assembly – 130 Model, 58000TCA (8/9) – Tilt Cover



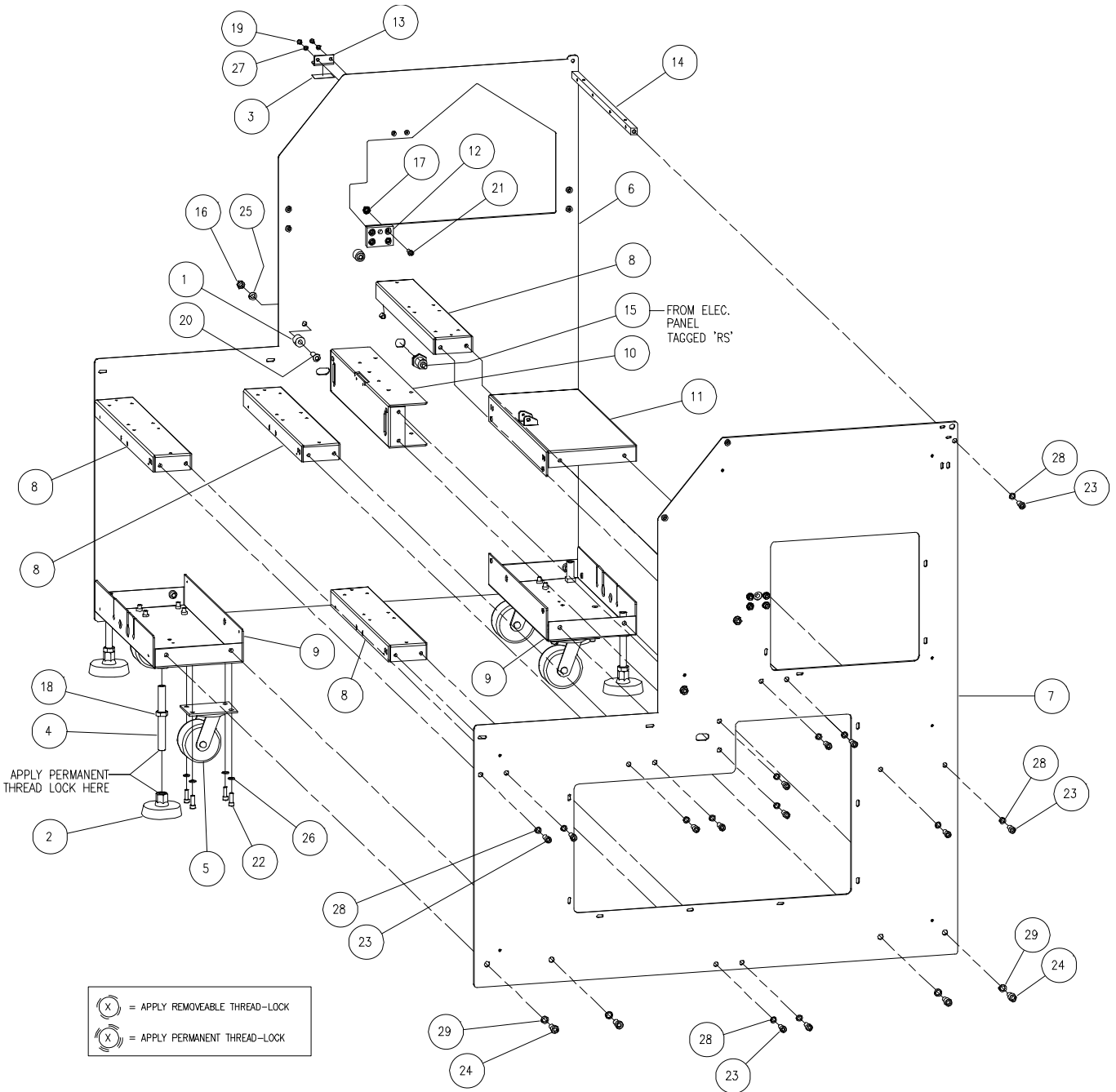
ITEM	PART NO.	DESCRIPTION	QTY
1	13940-1	HANDLE	1
2	58040	DOOR HINGE ROD	1
3	58041	TOP COVER	1
4	E-866-9	POSITIVE ACTION MICROSWITCH	1
5	H-5254-402	SCREW - 1/4 X 1/4 SHSS	1
6	H-6423-#4	NUT - #4-40 HEX KEP	2
7	H-6910-102404SS	SCREW - #10-24 X 1/2 BUT. HEAD CAP STAINLESS	6
8	H-6918-404	SCREW - 1/4-20 X 1/2 SOCKET HEAD CAP	2
9	H-6923-44012	SCREW - #4-40 X 3/4 ROUND HD MACH	2
10	H-7321-4	WASHER - 1/4 SAE PLAIN	2
11	H-7329-4	WASHER - 1/4 HIGH COLLAR LOCK	4
12	S-1694	TYRAP	1

8.9 Main Assembly – 130 Model, 58000TCA (9/9) – Covers



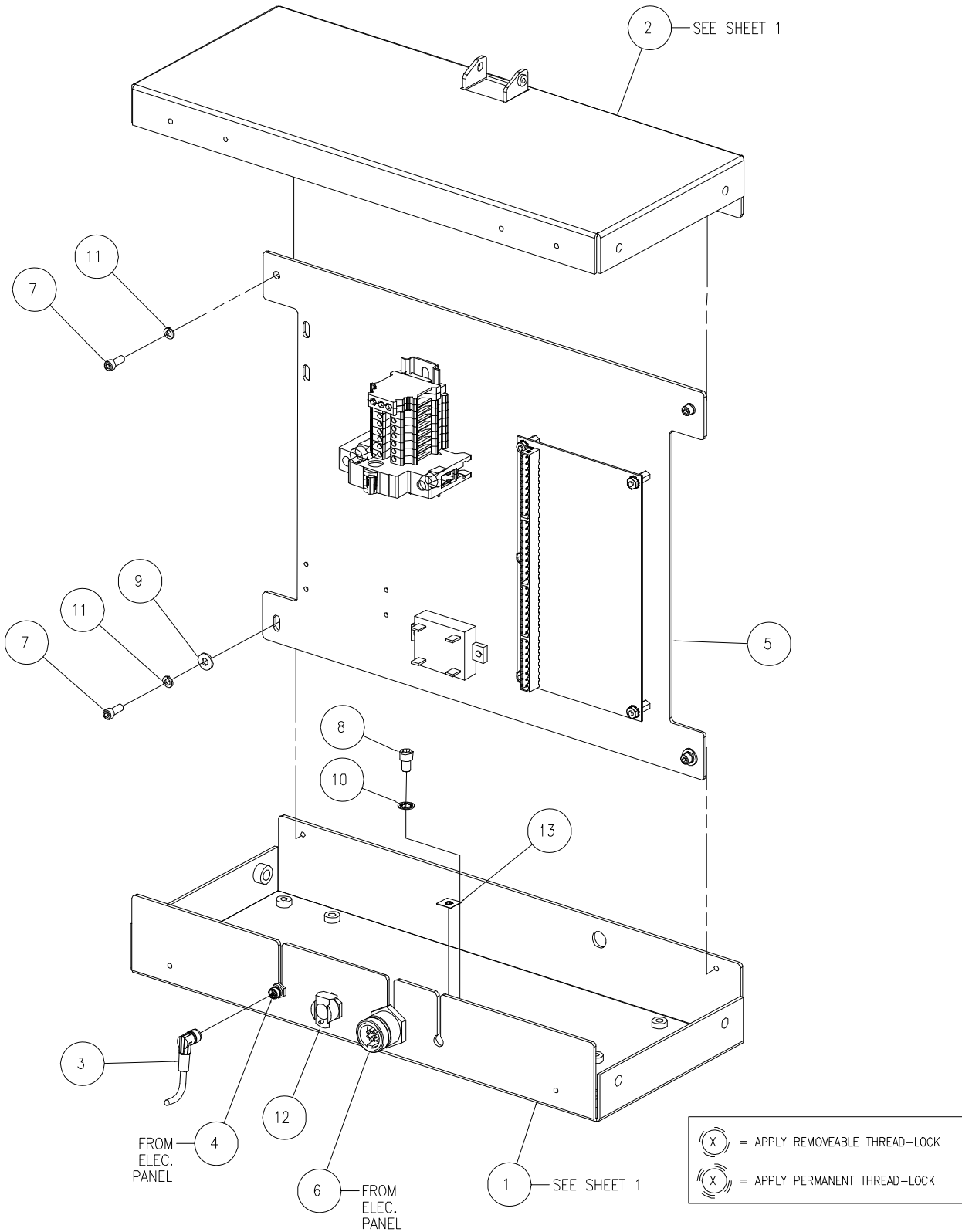
ITEM	PART NO.	DESCRIPTION	QTY
1	58007	ALIGNMENT BRACKET	1
2	58050	LOWER SIDE COVER	1
3	58051	UPPER SIDE COVER	1
4	58052	REAR COVER	1
5	58053	LOWER FRONT COVER	1
6	58054	TRANSPORT END COVER	1
7	58055	TRANSPORT SIDE COVER - RH	1
8	58056	TRANSPORT SIDE COVER - LH	1
9	E-1152-96	STANDOFF	8
10	H-6910-102403SS	SCREW - #10-24 X 3/8 BUT. HEAD CAP STAINLESS	26
11	H-6918-404	SCREW - 1/4-20 X 1/2 SOCKET HEAD CAP	2
12	S-1781-224	LABEL- POWER CONNECTION PROCEDURE	1
13	S-1781-50	LABEL - ELECTRIC SHOCK	1

8.10 Main Assembly – 330 Model, 58100TCA (1/9) – Side Frames



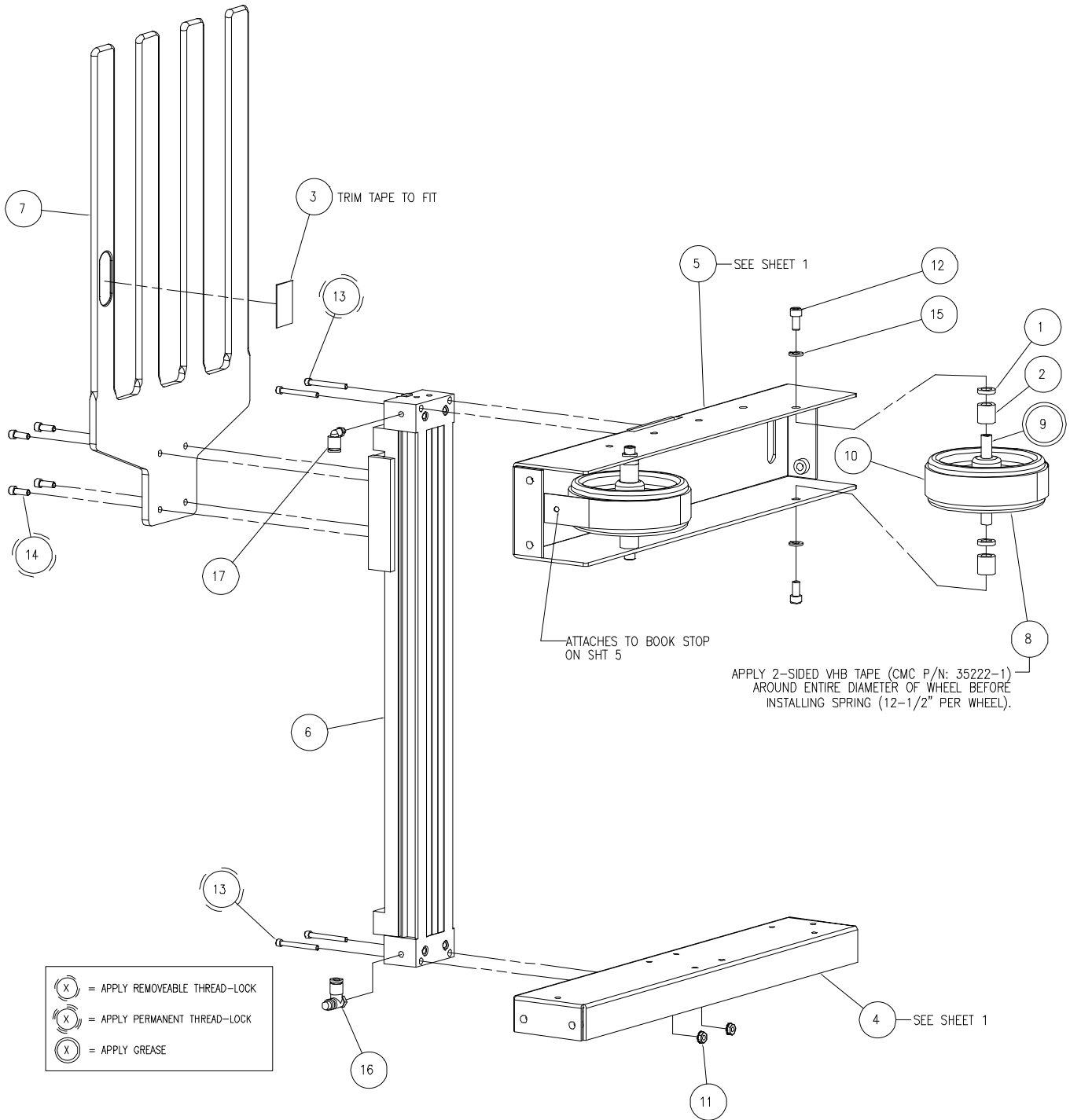
ITEM	PART NO.	DESCRIPTION	QTY
1	11288-35	WASHER/SPACER	4
2	51036	FOOT	4
3	56180_X_1PT5INCHES	REFLECTIVE TAPE - 1" WIDE X 1-1/2" LONG	1
4	56456	THREADED ROD	4
5	56805	CASTER	4
6	58001-1	SIDE FRAME LH	1
7	58002-1	SIDE FRAME RH	1
8	58003	CROSS BRACKET	4
9	58004-1	LOWER CROSS BRACKET	2
10	58005	CROSS BRACKET	1
11	58006-1	CROSS BRACKET - ELEC PANEL	1
12	58012	BEARING BLOCK	2
13	58029-1	REFLECTOR BRACKET	1
14	58539	TIE BAR	1
15	EE-3541-5	PROX. ASM. - ROLLER START - (RS)	REF
16	H-6417-5	NUT - 5/16-18 HEX	4
17	H-6423-4	NUT - 1/4-20 HEX KEP	8
18	H-6424-8	NUT - 1/2-13 HEX JAM	4
19	H-6910-102403	SCREW - #10-24 X 3/8 BUTTON HEAD CAP	2
20	H-6910-510	SCREW - 5/16-18 X 1-1/4 BUTTON HEAD CAP	4
21	H-6918-405	SCREW - 1/4-20 X 5/8 SOCKET HEAD CAP	8
22	H-6918-406	SCREW - 1/4-20 X 3/4 SOCKET HEAD CAP	16
23	H-6918-506	SCREW - 5/16-18 X 3/4 SOCKET HEAD CAP	26
24	H-6918-606	SCREW - 3/8-16 X 3/4 SOCKET HEAD CAP	8
25	H-7327-10	WASHER - 5/16 MEDIUM LOCK	4
26	H-7327-8	WASHER - 1/4 MEDIUM LOCK	16
27	H-7327-#10	WASHER - #10 MEDIUM LOCK	2
28	H-7329-5	WASHER - 5/16 HIGH COLLAR LOCK	26
29	H-7329-6	WASHER - 3/8 HIGH COLLAR LOCK	8

8.11 Main Assembly – 330 Model, 58100TCA (2/9) – Power Panel



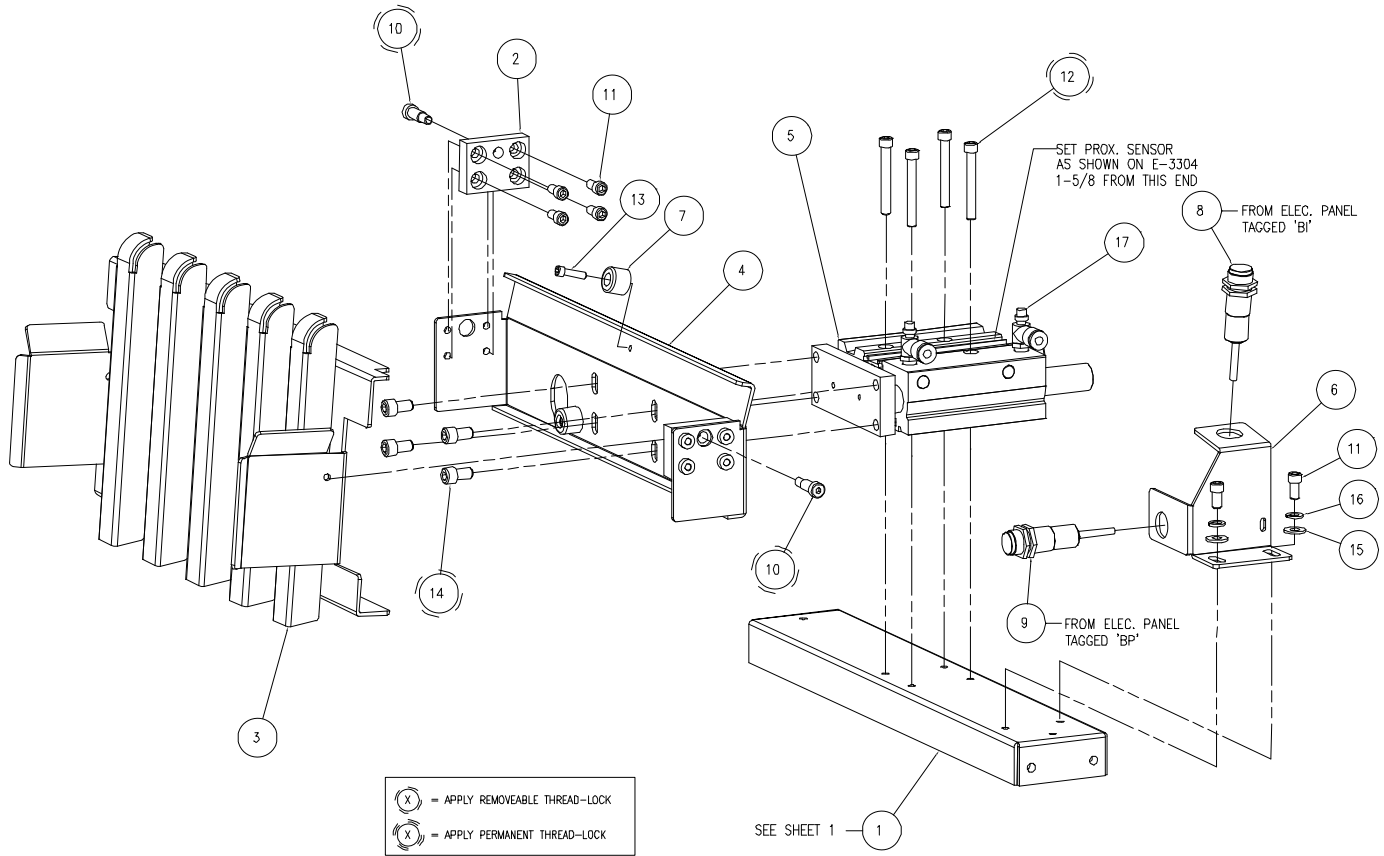
ITEM	PART NO.	DESCRIPTION	QTY
1	58004-1	LOWER CROSS BRACKET	REF
2	58006-1	CROSS BRACKET - ELEC PANEL	REF
3	E-3505-1	'CAN' CABLE JUMPER	1
4	EE-3518	ELECTRICAL PANEL ASM.	1
5	EE-3550	PLUG ASM. - MALE, INCOMING POWER	REF
6	EE-3460-3	PLUG ASM. - MALE, 'CAN'	REF
7	H-6918-403	SCREW - 1/4-20 X 3/8 SOCKET HEAD CAP	1
8	H-6918-102404	SCREW - #10-24 X 1/2 SOCKET HEAD CAP	4
9	H-7321-#10	WASHER - #10 SAE PLAIN	2
10	H-7324-8	WASHER - 1/4 INT TOOTH	1
11	H-7327-#10	WASHER - #10 MEDIUM LOCK	4
12	P-515	PUSH-IN CONNECTOR (1/4 FEM PASS-THRU)	1
13	S-1781-42	LABEL - GROUND	1

8.12 Main Assembly – 330 Model, 58100TCA (3/9) – Fingered Stop



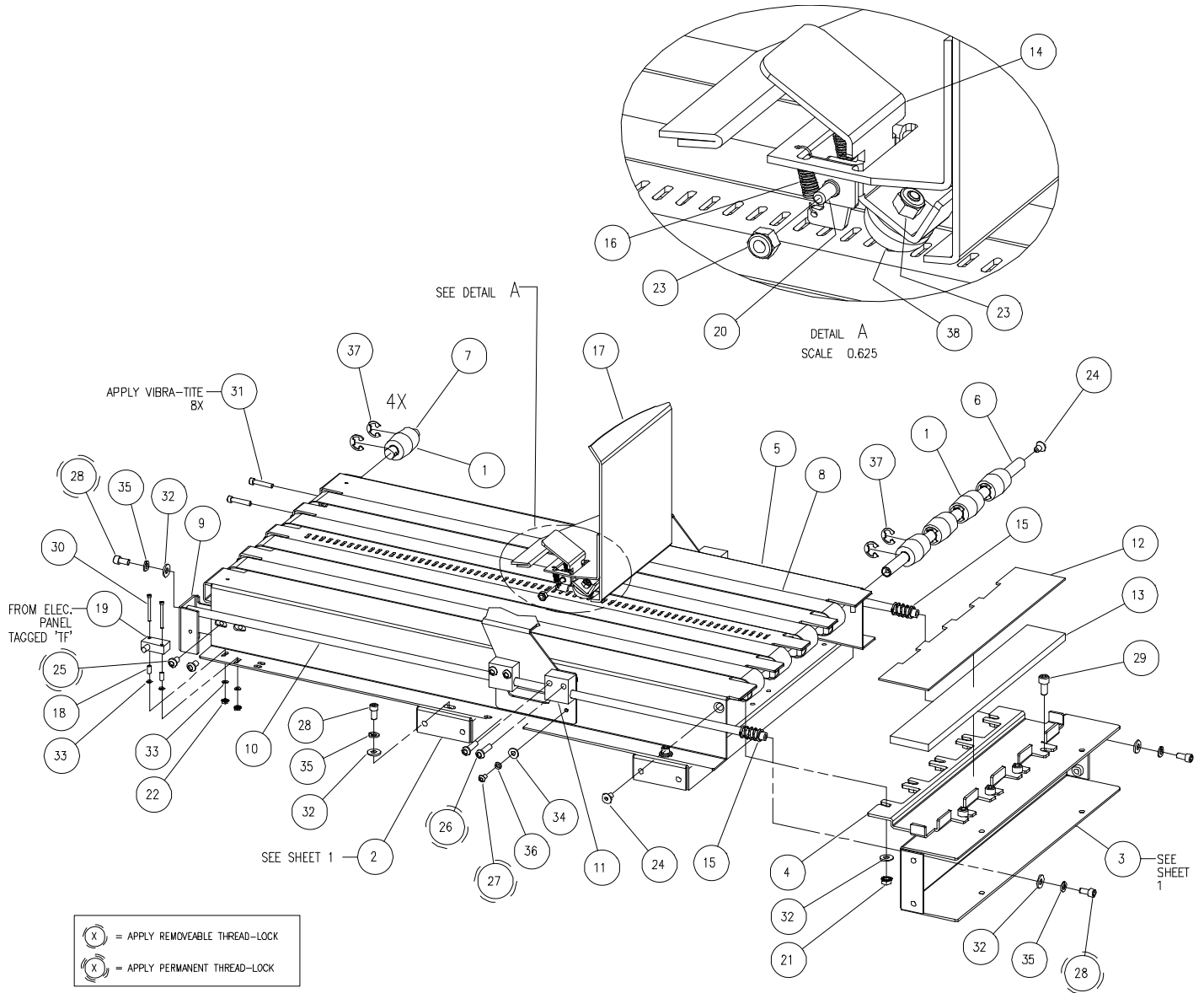
ITEM	PART NO.	DESCRIPTION	QTY
1	58003	CROSS BRACKET	REF
2	58005	CROSS BRACKET	REF
3	58026	AIR CYLINDER - RODLESS	1
4	58027	FINGERED BOOK STOP PLATE	1
5	58037	WHEEL	2
6	58038	AXLE	2
7	58039	CONSTANT FORCE SPRING	2
8	11288-32	WASHER/SPACER	4
9	11288-34	WASHER/SPACER	4
10	56180_X_1PT5INCHES	REFLECTIVE TAPE - 1" WIDE X 1-1/2" LONG	1
11	H-6423-#8	NUT - #8-32 HEX KEP	2
12	H-6918-404	SCREW - 1/4-20 X 1/2 SOCKET HEAD CAP	4
13	H-6918-83212	SCREW - #8-32 X 1-1/2 SOCKET HEAD CAP	4
14	H-6918-M514	SCREW - M5 X 14MM SOCKET HEAD CAP	4
15	H-7327-8	WASHER - 1/4 MEDIUM LOCK	4
16	P-304-1	FLOW CONTROL ELBOW-1/4 TUBE X #10-32	1
17	P-503-41032	ELBOW-1/4 TUBE X #10-32	1

8.13 Main Assembly – 330 Model, 58100TCA (4/9) – Book Pusher



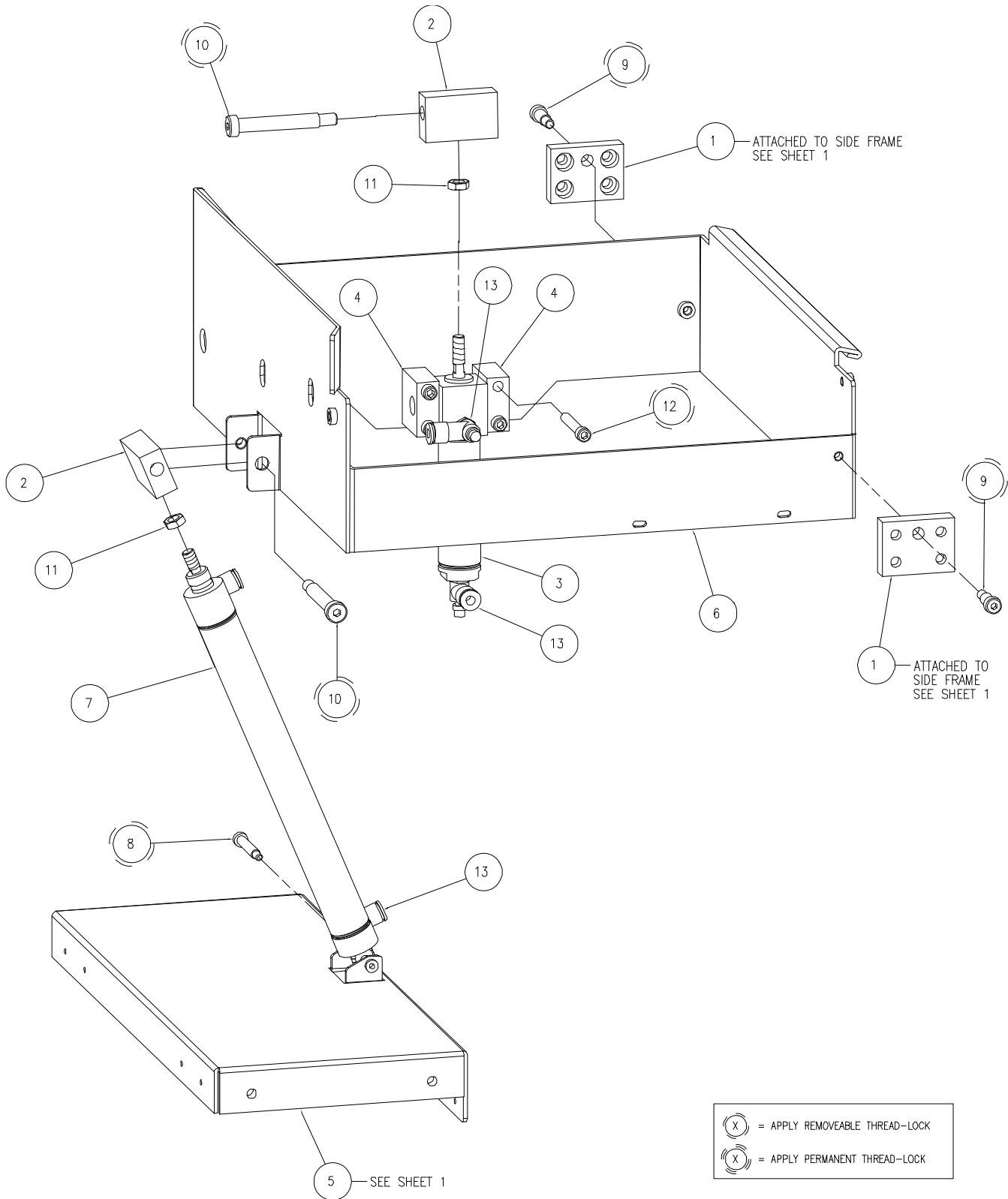
ITEM	PART NO.	DESCRIPTION	QTY
1	58003	CROSS BRACKET	REF
2	58012	BEARING BLOCK	2
3	58020	BOOK PUSHER WELDMENT	1
4	58023	CYLINDER BRACKET	1
5	58024	GUIDED AIR CYLINDER	1
6	58067	SENSOR BRACKET	1
7	A-11074	FOOT - RUBBER	2
8	EE-3541-3	PROX. ASM - BOOK IN STACKER - 'BI'	REF
9	EE-3541-4	PROX. ASM - BOOK @ PUSHER - 'BP'	REF
10	H-5254-505	SCREW - 5/16 X 5/8 SHSS	2
11	H-6918-404	SCREW - 1/4-20 X 1/2 SOCKET HEAD CAP	10
12	H-6918-416	SCREW - 1/4-20 X 2 SOCKET HEAD CAP	4
13	H-6918-102406	SCREW - #10-24 X 3/4 SOCKET HEAD CAP	2
14	H-6918-M814	SCREW - M8 X 14MM SOCKET HEAD CAP	4
15	H-7321-4	WASHER - 1/4 SAE PLAIN	2
16	H-7327-8	WASHER - 1/4 MEDIUM LOCK	2
17	P-304	FLOW CONTROL ELBOW-1/4 TUBE X 1/8 NPT	2

8.14 Main Assembly – 330 Model, 58100TCA (5/9) – Tray



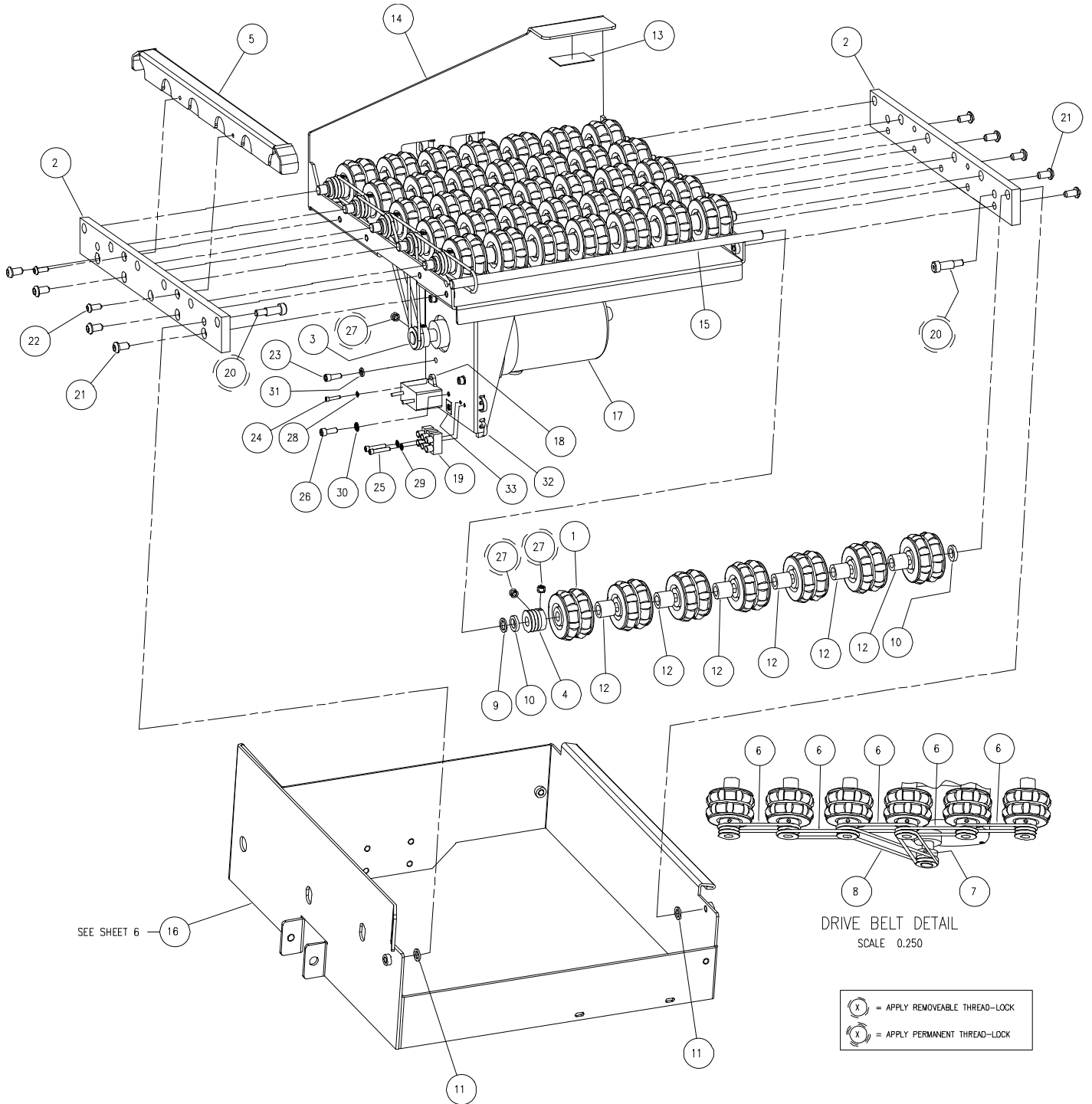
ITEM	PART NO.	DESCRIPTION	QTY
1	56669	PULLEY	8
2	58003	CROSS BRACKET	REF
3	58005	CROSS BRACKET	REF
4	58025	TRAY MOUNTING BRACKET	1
5	58028	TRAY	1
6	58030	AXLE	1
7	58031	AXLE	4
8	58032	ENDLESS BELT	4
9	58033	GUIDE ROD BRACKET	2
10	58034	TRANSPORT GUIDE ROD	2
11	58036	BEARING BLOCK	4
12	58062	PAD WITH ADHESIVE	1
13	58063	RUBBER PAD	1
14	58070	LATCH LEVER	1
15	35048-23	SPRING	2
16	47136-19	SPRING	2
17	58035-1	WELDMENT - BOOK STOP	1
18	E-1152-78	STANDOFF	2
19	EE-2952-9	PROX. ASM.- TRAY FULL	REF
20	H-5254-412	SCREW - 1/4 X 1-1/2 SHSS	1
21	H-6423-4	NUT - 1/4-20 HEX KEP	5
22	H-6423-#4	NUT - #4-40 HEX KEP	2
23	H-6442-#10	NUT - #10-24 NYLOC	2
24	H-6909-404	SCREW - 1/4-20 X 1/2" FLAT HEAD CAP	2
25	H-6910-404	SCREW - 1/4-20 X 1/2 BUTTON HEAD CAP	4
26	H-6910-408	SCREW - 1/4-20 X 1 BUTTON HEAD CAP	8
27	H-6910-102403	SCREW - #10-24 X 3/8 BUTTON HEAD CAP	2
28	H-6918-404	SCREW - 1/4-20 X 1/2 SOCKET HEAD CAP	8
29	H-6918-505	SCREW - 5/16-18 X 5/8 SOCKET HEAD CAP	4
30	H-6918-44010	SCREW - #4-40 X 1-1/4 SOCKET HEAD CAP	2
31	H-6918-102408	SCREW - #10-24 X 1 SOCKET HEAD CAP	8
32	H-7321-4	WASHER - 1/4 SAE PLAIN	13
33	H-7321-#4	WASHER - #4 SAE PLAIN	4
34	H-7321-#10	WASHER - #10 SAE PLAIN	2
35	H-7327-8	WASHER - 1/4 MEDIUM LOCK	8
36	H-7327-#10	WASHER - #10 MEDIUM LOCK	2
37	S-1193-50	E-RING - 1/2"	16
38	S-1756-1	FOOT - RUBBER	1

8.15 Main Assembly – 330 Model, 58100TCA (6/9) – Outer Tilt



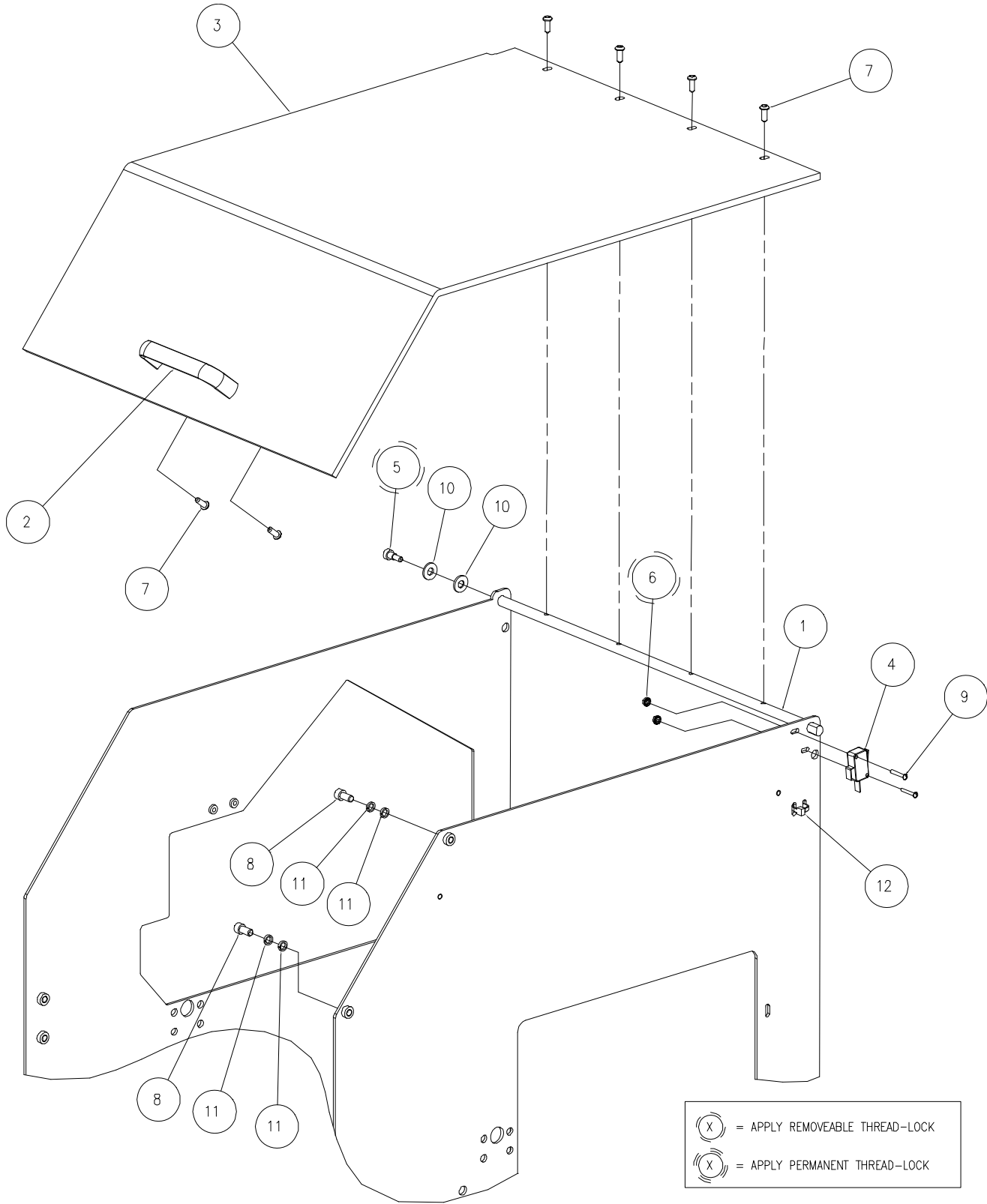
ITEM	PART NO.	DESCRIPTION	QTY
1	58012	BEARING BLOCK	REF
2	58015	CYLINDER END BLOCK	2
3	58016	AIR CYLINDER - TRUNNION TYPE	1
4	58017	BEARING BLOCK	2
5	58006-1	CROSS BRACKET - ELEC PANEL	REF
6	58014-1	TILT CAGE	1
7	58018-1	AIR CYLINDER	1
8	H-5254-412	SCREW - 1/4 X 1-1/2 SHSS	1
9	H-5254-505	SCREW - 5/16 X 5/8 SHSS	2
10	H-5254-618	SCREW - 3/8 X 2-1/4 SHSS	2
11	H-6428-5	NUT - 5/16-24 HEX JAM	2
12	H-6918-414	SCREW - 1/4-20 X 1-3/4 SOCKET HEAD CAP	4
13	P-304	FLOW CONTROL ELBOW-1/4 TUBE X 1/8 NPT	4

8.16 Main Assembly – 330 Model, 58100TCA (7/9) – Inner Tilt



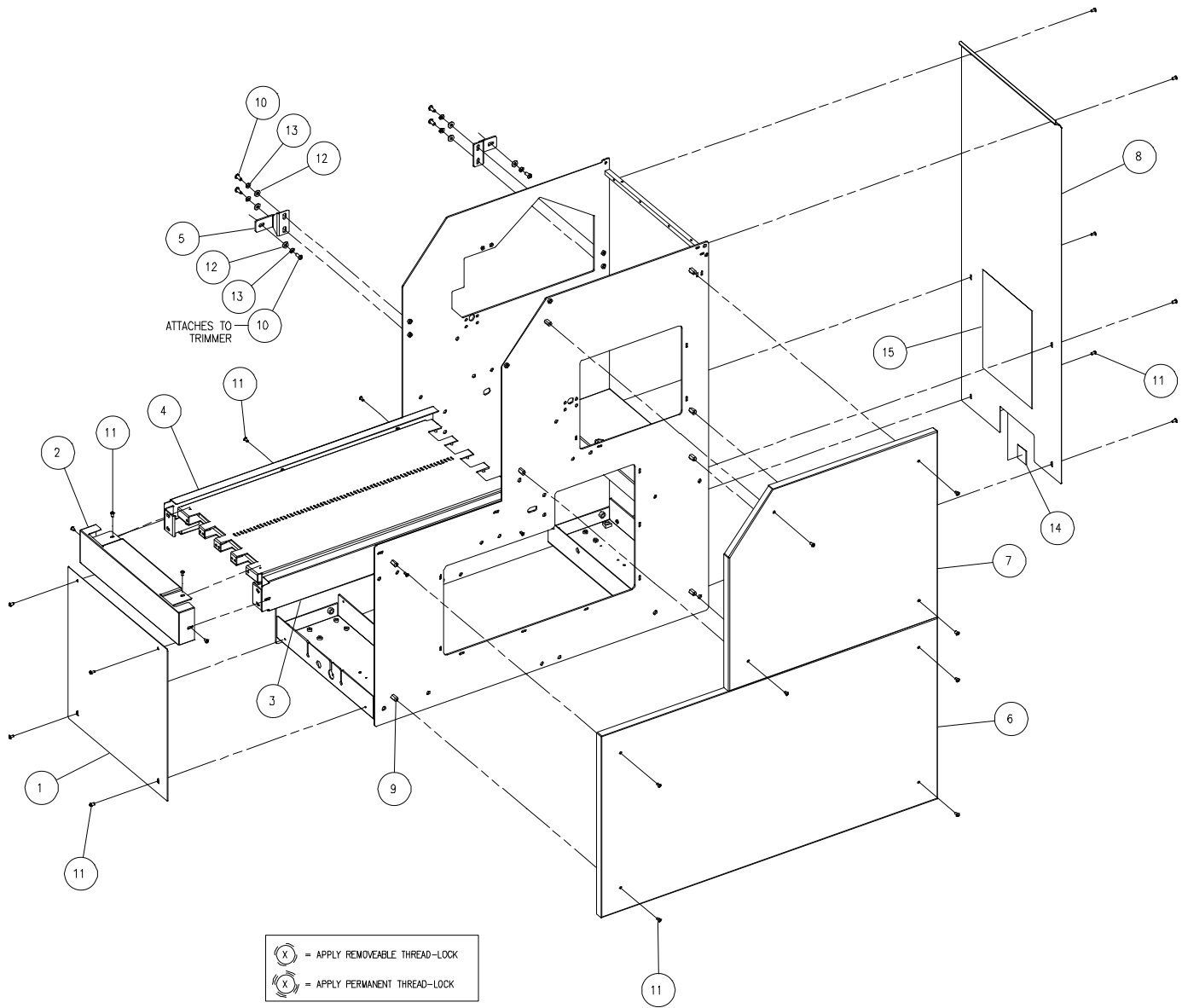
ITEM	PART NO.	DESCRIPTION	QTY
1	58010	MULTIDIRECTIONAL ROLLER	42
2	58019	ROLLER MOUNTING BLOCK	2
3	58060	MOTOR PULLEY	1
4	58061	PULLEY	6
5	58064	BELT GUARD	1
6	58065	ROUND BELT - ENDLESS, ROLLER DRIVE	5
7	58066	ROUND BELT - ENDLESS, MOTOR DRIVE (SHORT)	1
8	58071	ROUND BELT - ENDLESS, MOTOR DRIVE (LONG)	1
9	11288-20	WASHER/SPACER	6
10	11288-32	WASHER/SPACER	12
11	11288-33	WASHER/SPACER	2
12	11288-34	WASHER/SPACER	36
13	56180_X_1PT5INCHES	REFLECTIVE TAPE - 1" WIDE X 1-1/2" LONG	1
14	58011-1	TILT TRAY	1
15	58013-1	AXLE	6
16	58014-1	TILT CAGE	REF
17	E-1600-163	GEAR MOTOR	1
18	E-2181-4	CAPACITOR	1
19	E-2626-3	TERMINAL STRIP (3P)	1
20	H-5254-505	SCREW - 5/16 X 5/8 SHSS	2
21	H-6910-404	SCREW - 1/4-20 X 1/2 BUTTON HEAD CAP	9
22	H-6910-102404	SCREW - #10-24 X 1/2 BUTTON HEAD CAP	2
23	H-6915-103204	SCREW - #10-32 X 1/2 SOCKET HEAD CAP	4
24	H-6918-44004	SCREW - #4-40 X 1/2 SOCKET HEAD CAP	1
25	H-6918-63206	SCREW - #6-32 X 3/4 SOCKET HEAD CAP	2
26	H-6918-102404	SCREW - #10-24 X 1/2 SOCKET HEAD CAP	1
27	H-6938-102403	SCREW - #10-24 X 3/16 CUP SOC SET	14
28	H-7324-#4	WASHER - #4 INT TOOTH	1
29	H-7324-#6	WASHER - #6 INT TOOTH	2
30	H-7324-#10	WASHER - #10 INT TOOTH	1
31	H-7327-#10	WASHER - #10 MEDIUM LOCK	4
32	S-1694	TYRAP	2
33	S-1781-42	LABEL - GROUND	1

8.17 Main Assembly – 330 Model, 58100TCA (8/9) – Tilt Cover



ITEM	PART NO.	DESCRIPTION	QTY
1	58040	DOOR HINGE ROD	1
2	13940-1	HANDLE	1
3	58041-1	TOP COVER	1
4	E-866-9	POSITIVE ACTION MICROSWITCH	1
5	H-5254-402	SCREW - 1/4 X 1/4 SHSS	1
6	H-6423-#4	NUT - #4-40 HEX KEP	2
7	H-6910-102404	SCREW - #10-24 X 1/2 BUTTON HEAD CAP	6
8	H-6918-404	SCREW - 1/4-20 X 1/2 SOCKET HEAD CAP	2
9	H-6923-44012	SCREW - #4-40 X 3/4 ROUND HD MACH	2
10	H-7321-4	WASHER - 1/4 SAE PLAIN	2
11	H-7329-4	WASHER - 1/4 HIGH COLLAR LOCK	4
12	S-1694	TYRAP	1

8.18 Main Assembly – 330 Model, 58100TCA (9/9) – Covers



ITEM	PART NO.	DESCRIPTION	QTY
1	58053	LOWER FRONT COVER	1
2	58054	TRANSPORT END COVER	1
3	58055	TRANSPORT SIDE COVER - RH	1
4	58056	TRANSPORT SIDE COVER - LH	1
5	58073	STACKER MOUNTING BRACKET	2
6	58050-1	LOWER SIDE COVER	1
7	58051-1	UPPER SIDE COVER	1
8	58052-1	REAR COVER	1
9	E-1152-96	STANDOFF	8
10	H-6910-405	SCREW - 1/4-20 X 5/8 BUTTON HEAD CAP	6
11	H-6910-102403	SCREW - #10-24 X 3/8 BUTTON HEAD CAP	26
12	H-7321-4	WASHER - 1/4 SAE PLAIN	6
13	H-7327-8	WASHER - 1/4 MEDIUM LOCK	6
14	S-1781-50	LABEL - ELECTRIC SHOCK	1
15	S-1781-224	LABEL- POWER CONNECTION PROCEDURE	1

ITEM	PART NO.	DESCRIPTION	QTY
1	58009-1	PANEL - ELECTRICAL	1
2	EE-3508-1	PC ASSEMBLY - I/O,TC	1
3	E-2068-8	TERMINAL BLOCK - #10 AWG	7
4	E-1977-26	TERMINAL RAIL - 4" LONG	1
5	E-1453-6	SHRINK TUBING - 1" LONG	2
6	E-2507-3	FIXED BRIDGE - 3 POLE	2
7	E-2070-1	END BRACKET	1
8	E-1356-()	MARKING STRIP - TERMINAL BLOCK	2
9	E-2864	PLATE - TERMINAL BLOCK SEPARATOR	1
10	E-3264-2	CIRCUIT BREAKER - 1.6A , RAIL MOUNT (CB1)	1
11	EE-3550	PIGTAIL ASM. - 7 POS. MAIN POWER	1
12	EE-3460-3	PLUG PIGTAIL ASM. - 3 POS. MALE "CAN"	1
13	EE-3540	CABLE ASSEMBLY - UPPER DOOR INTERLOCK SW.	1
14	EE-2949-7	CABLE ASSEMBLY - ROLLER MOTOR	1
15	EE-3531-15	PLUG ASM. - AIR SOL.,TRAY LIFT (#1)	1
16	EE-3531-16	PLUG ASM. - AIR SOL., TRAY DUMP (#2)	1
17	EE-3531-17	PLUG ASM. - AIR SOL., PUSHER OUT (#3)	1
18	EE-3531-18	PLUG ASM. - AIR SOL., FINGERS DOWN (#4)	1
19	EE-3531-19	PLUG ASM. - AIR SOL., PUSHER IN (#5)	1
20	EE-3541-3	PHOTO-SW. ASM. - BOOK IN TILT TRAY "BI"	1
21	EE-3541-4	PHOTO-SWITCH ASM. - BOOK @ PUSHER "BP"	1
22	EE-3541-5	PHOTO-SWITCH ASM. - BOOK ENTERING STACKER	1
23	EE-2952-18	PROX. ASM. - TRAY FULL "TF"	1
24	EE-2397-5	PROX. ASM. - PUSHER CENTER (NPN)	1
25	E-2066-10	CONNECTOR - 10 POS PLUG-IN PCB	2
26	E-709-R	WIRE - #18GA. RED MTW (49" TOTAL)	1
27	E-1152-56	STAND-OFF - 1/2" LONG	5
28	H-6910-63203	SCREW, #6-32NC X 3/8" BUT HD CAP	5
29	H-6910-83203	SCREW, #8-32NC X 3/8" BUT HD CAP	4
30	H-7324-#8	WASHER, #8 INT. TOOTHLOCK	6
31	H-6910-83212	SCREW, #8-32NC X 1-3/4" BUT HD CAP	4
32	H-6423-#6	NUT - #6-32 HEX (KEP)	5
33	E-2064-2	RELAY - SOLID STATE	1
34	E-519	NUT - CONDUIT LOCK	1
35	E-1214-65	CONNECTOR - 1/4" FULLY INS. Q.D.	3
36	58008	MANIFOLD ASSEMBLY - AIR (STACKER)	1
37	E-1584-()	LABEL - ASM. NO./REV. LEVEL	1
38	S-1694	TYRAP - WIRE	1
39	P-511	SILENCER - 1/4" NPT	2
40	P-503-402	ELBOW - 1/4" TUBE TO 1/4" NPT	1
41	E-2066-8	CONNECTOR - 8 POS PLUG-IN PCB	2
42	E-2068-3	TERMINAL BLOCK - GROUNDING	1
43	EE-1888-28	IC - PROGRAMMED, STACKER TC	1

