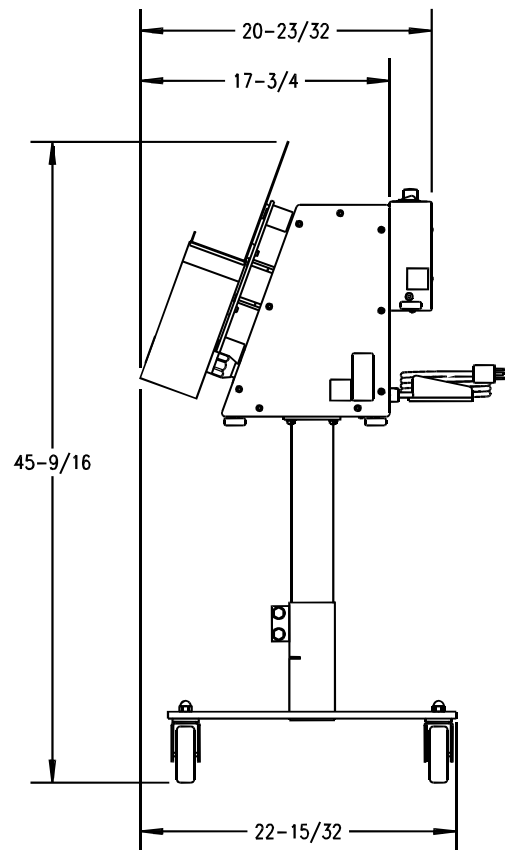
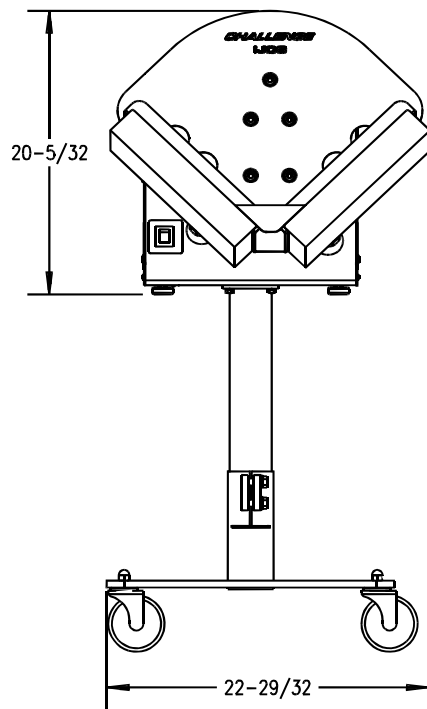
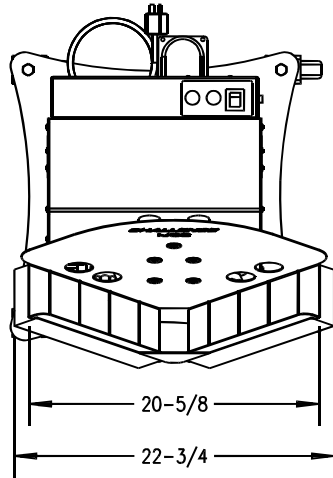
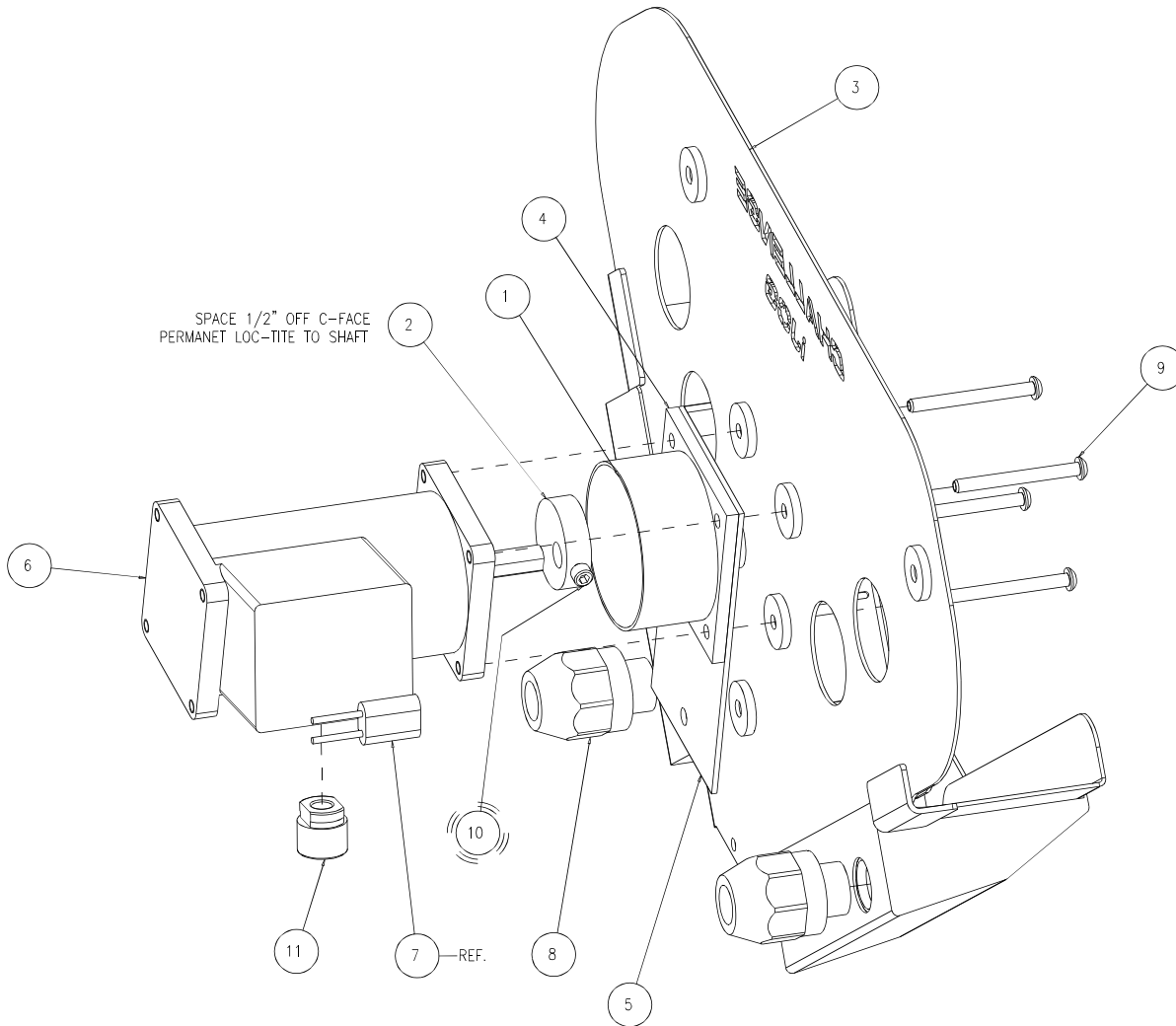


8.0 Parts List

8.1 Footprint



8.2 66000-2 Main Assembly- iJOG with Air Sht. 1

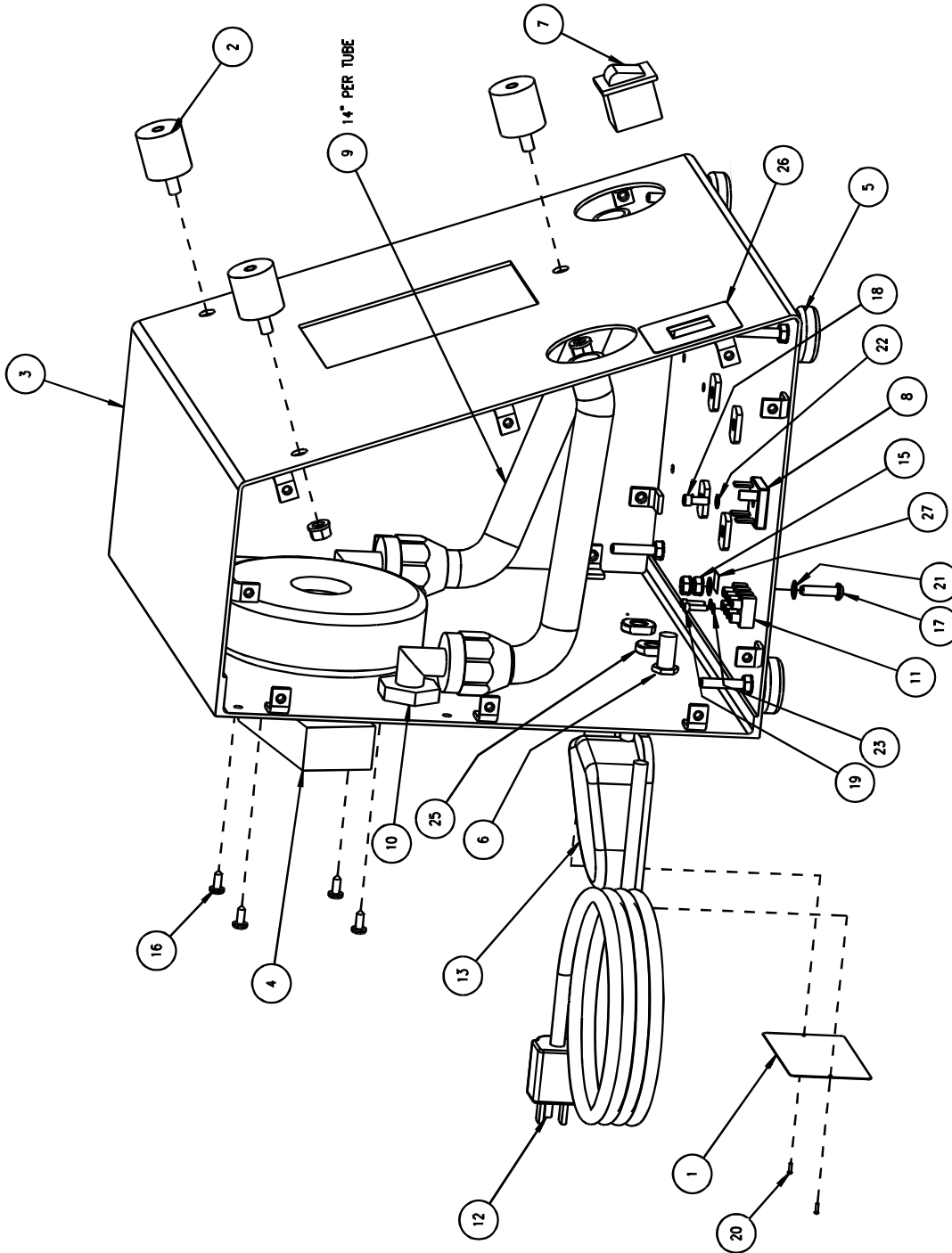


Main Assembly- iJOG with Air

66000-2 Sht. 1

ITEM	PART NO.	DESCRIPTION	QTY
1	66004-1	TUBE 1	
2	66005-1	ECCENTRIC WEIGHT	1
3	66011-1	JOGGING TRAY	1
4	66024	REINFORCEMENT PLATE	1
5	66025	REINFORCEMENT PLATE	1
6	E-1600-201	3500 RPM DC MOTOR	1
7	E-1736-2	QUENCHARC	1
8	E-2191-2	3/4 CONDUIT FITTING	2
9	H-6910-420SS	SCREW - 1/4-20 X 2-1/2 BUT. HEAD CAP STAINLESS	4
10	H-6918-403	SCREW - 1/4-20 X 3/8 SOCKET HEAD CAP	1
11	S-1350-16	STRAIN RELIEF BUSHING	1

8.3 66000-2 Main Assembly- iJOG with Air Sht. 2

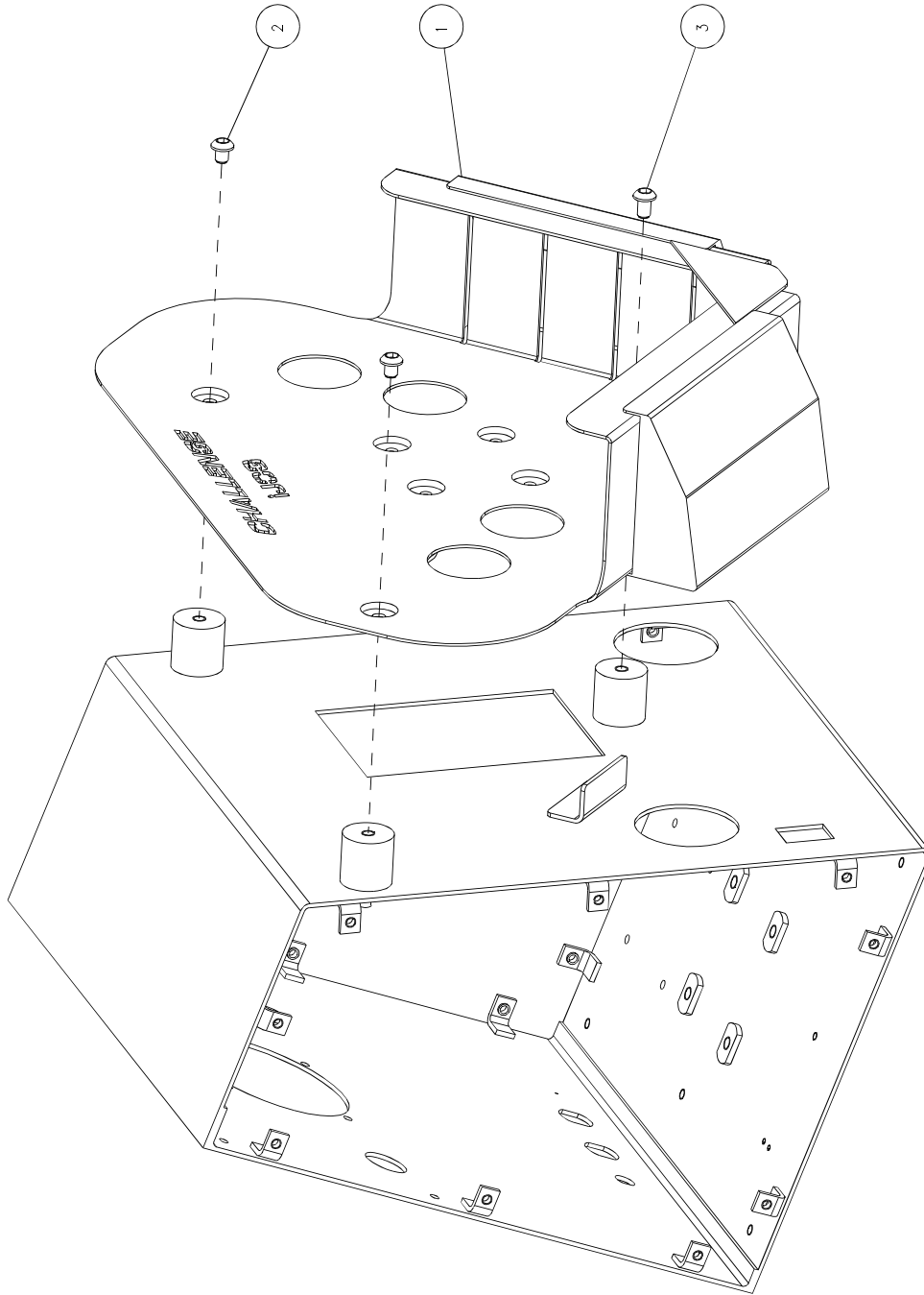


Main Assembly- iJOG with Air

66000-2 Sht. 2

ITEM	PART NO.	DESCRIPTION	QTY
1	14050	SERIAL PLATE	1
2	40016-8	MOUNT - VIBRATION	3
3	66001-1	BASE WELDMENT	1
4	66007	VACUUM MOTOR	1
5	66016	LEVELING PAD	4
6	E-530-13	FUSE HOLDER- FUSE W/CAP (INCHES)	1
7	E-1140-17	ROCKER SWITCH	1
8	E-1143	BRIDGE RECTIFIER	1
9	E-2189-2	TUBING- CORRUGATED FLEXIBLE	1
10	E-2190-2	3/4 CONDUIT FITTING	2
11	E-2626-4	TERMINAL STRIP (4P)	1
12	EE-3191	POWER CORD - 120V	1
13	EE-3192	FOOT SWITCH ASSEMBLY	1
14	H-6417-5	NUT - 5/16-18 HEX	3
15	H-6423-4	NUT - 1/4-20 HEX KEP	6
16	H-6899-1004	"SCREW - #10 X 1/2 PHIL PAN SELF-TAP,F"	4
17	H-6910-408	SCREW - 1/4-20 X 1 BUTTON HEAD CAP	1
18	H-6918-102404	SCREW - #10-24 X 1/2 SOCKET HEAD CAP	1
19	H-6918-63204	SCREW - #6-32 X 1/2 SOCKET HEAD CAP	2
20	H-6924-004	SCREW - #0 X 1/4 DRIVE SCREW	2
21	H-7324-8	WASHER - 1/4 INT TOOTH	2
22	H-7324-#10	WASHER - #10 INT TOOTH	1
23	H-7324-#6	WASHER - #6 INT TOOTH	2
24	H-7327-10	WASHER - 5/16 MEDIUM LOCK	3
25	S-1350-16	STRAIN RELIEF BUSHING	2
26	S-1781-164	POWER LABEL	1
27	S-1781-42	LABEL - GROUND	1

8.4 66000-2 Main Assembly- iJOG with Air Sht. 3

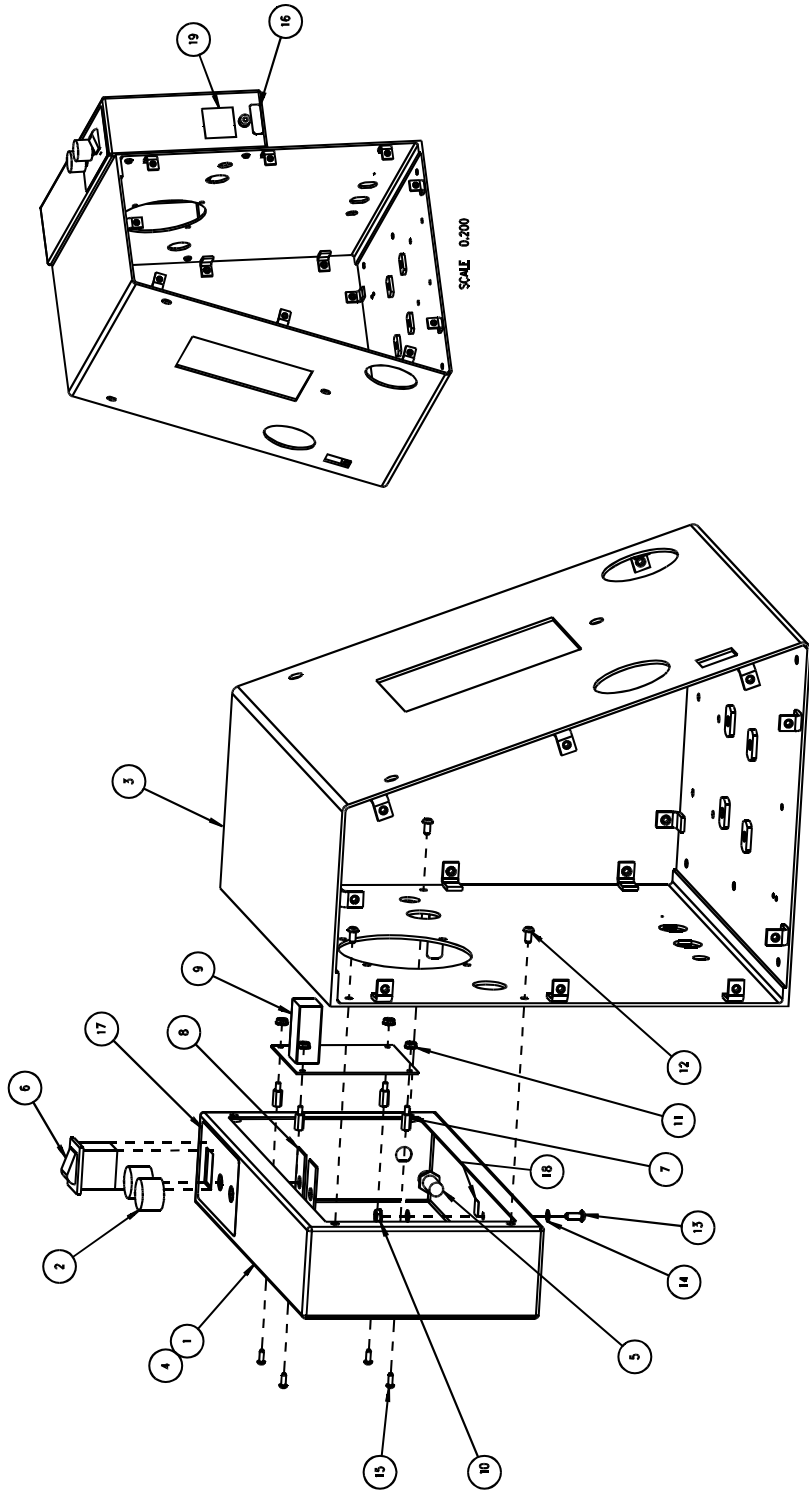


Main Assembly- iJOG with Air

66000-2 Sht. 3

ITEM	PART NO.	DESCRIPTION	QTY
1	66011-1	JOGGING TRAY	1
2	H-6910-503SS	SCREW - 5/16-18 X 3/8 BUT. HEAD CAP STAINLESS	2
3	H-6910-504SS	SCREW - 5/16-18 X 1/2 BUT. HEAD CAP STAINLESS	1

8.5 66000-2 Main Assembly- iJOG with Air Sht. 4

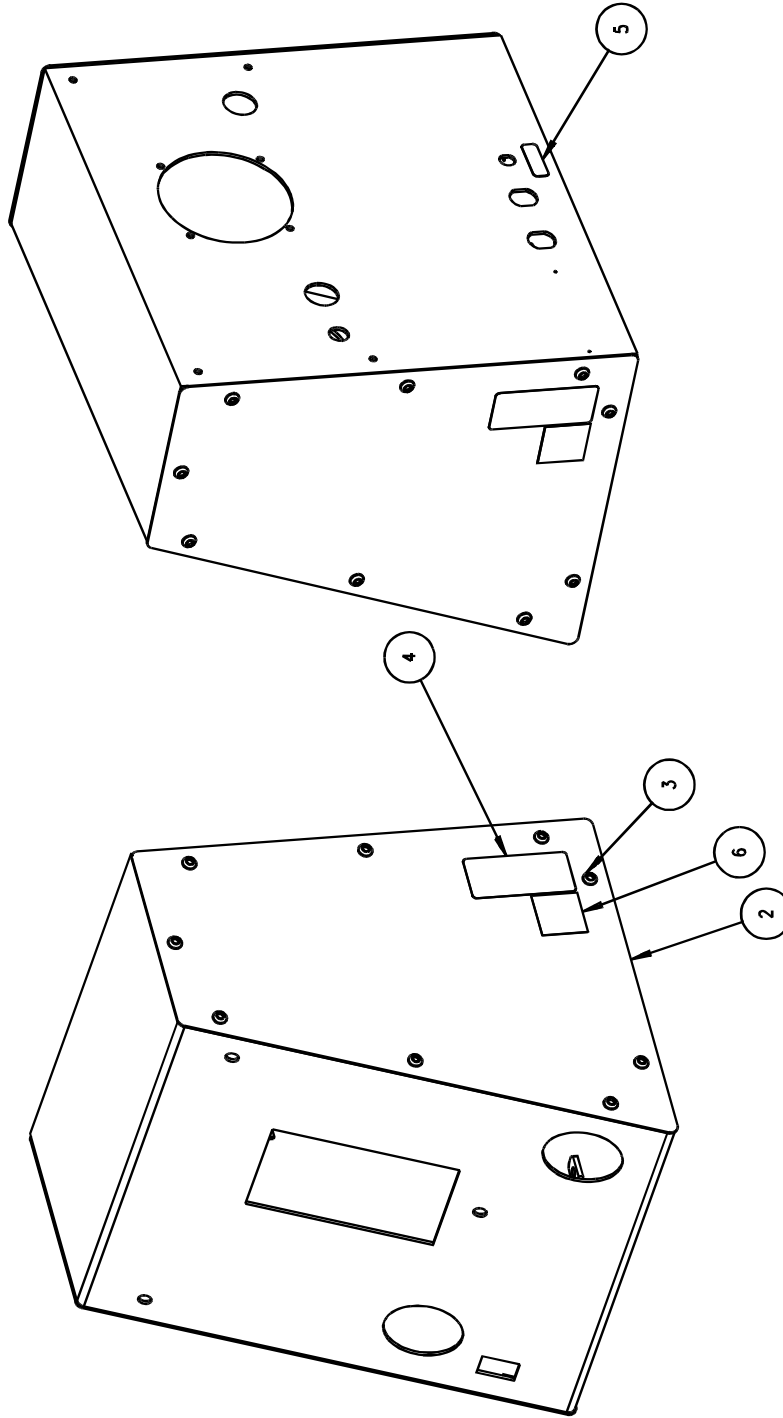


Main Assembly- iJOG with Air

66000-2 Sht. 4

ITEM	PART NO.	DESCRIPTION	QTY
1	EE-3226	CONTROL BOX ASSEMBLY – 120V OPTION	1
1	EE-3227	CONTROL BOX ASSEMBLY – 230V OPTION	1
2	35126-3	KNOB	REF
3	66001-1	BASE WELDMENT	REF
4	66008	VACUUM COVER	REF
5	E-530-13	FUSE HOLDER- FUSE W/CAP (INCHES)	REF
6	E-1140-17	ROCKER SWITCH	REF
7	E-1152-56	STANDOFF	REF
8	E-3181	ISOLATION SHIELD- POTENTIOMETER	REF
9	EE-3179	CIRCUIT BOARD	REF
10	H-6423-#10	NUT - #10-24 HEX KEP	REF
11	H-6423-#6	NUT - #6-32 HEX KEP	REF
12	H-6910-102403	SCREW - #10-24 X 3/8 BUTTON HEAD CAP	4
13	H-6910-102404	SCREW - #10-24 X 1/2 BUTTON HEAD CAP	REF
14	H-7324-#10	WASHER - #10 INT TOOTH	REF
15	H-6910-63203	SCREW - #6-32 X 3/8 BUTTON HEAD CAP	REF
16	S-1781-160	LABEL - FUSE 7A SB	REF
17	S-1781-163	BLOWER LABEL	REF
18	S-1781-42	LABEL - GROUND	REF
19	S-1781-50	LABEL - ELECTRIC SHOCK	REF

8.6 66000-2 Main Assembly- iJOG with Air Sht. 5

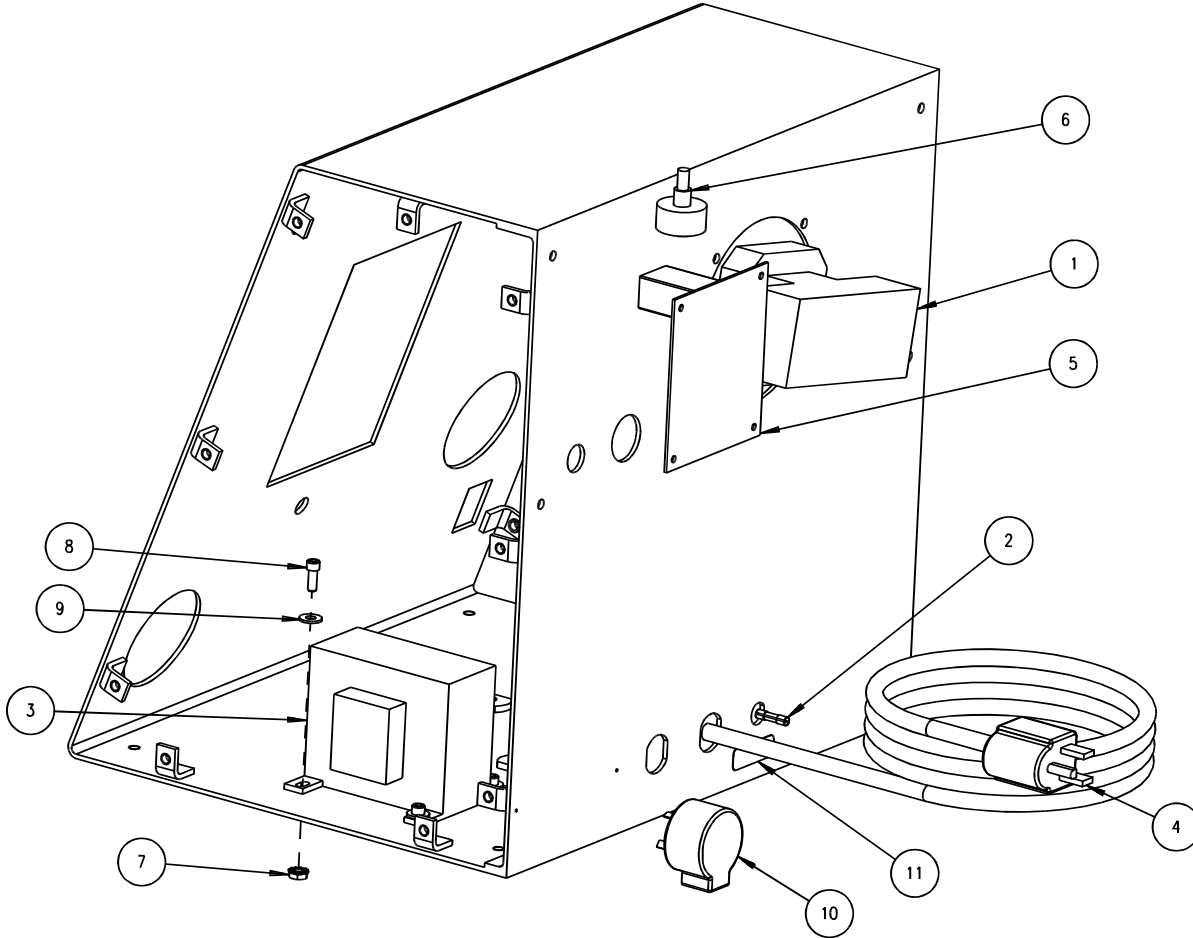


Main Assembly- iJOG with Air

66000-2 Sht. 5

ITEM	PART NO.	DESCRIPTION	QTY
1	66001-1	BASE WELDMENT	1
2	66006	SIDE COVER	2
3	H-6910-403	SCREW - 1/4-20 X 3/8 BUTTON HEAD CAP	18
4	S-1781-15	LABEL - MOVING PARTS HAZARD	2
5	S-1781-165	LABEL - FUSE 5A SB	1
6	S-1781-50	LABEL - ELECTRIC SHOCK	2

8.7 66000-2 Main Assembly- iJOG with Air Sht. 6, 230V Option Parts

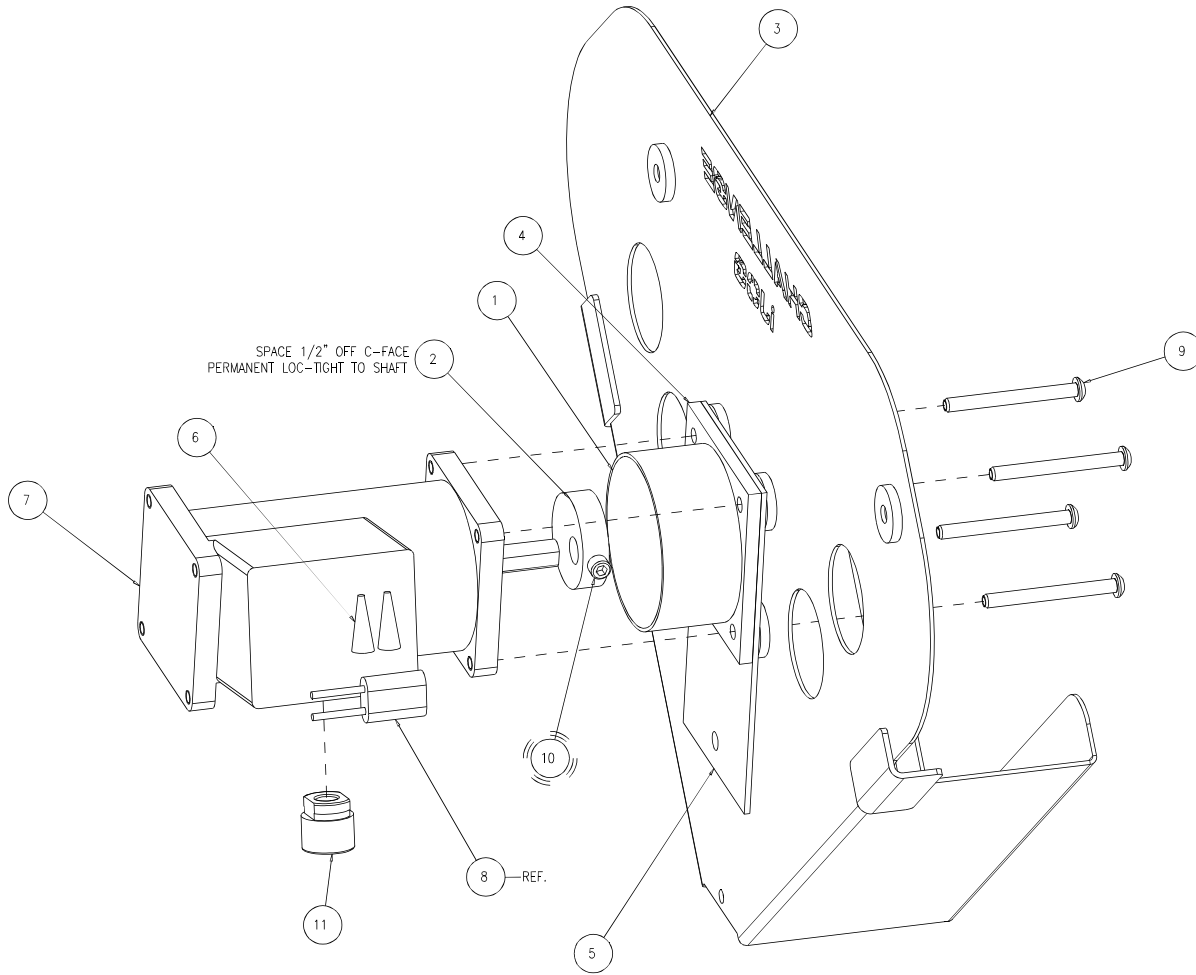


Main Assembly- iJOG with Air 230V Option Parts

66000-2 Sht. 6

ITEM	PART NO.	DESCRIPTION	QTY
1	66007-1	VACUUM MOTOR- 230V	1
2	E-889-1	FUSE- 1.5 A SB	1
3	E-2742-12	TRANSFORMER	1
4	EE-2778-3	POWER CORD - 120V	1
5	EE-3179-1	CIRCUIT BOARD- 230V OPTION	1
6	EE-3190-1	PLUG ASSEMBLY- POTENTIOMETER- 230V	1
7	H-6423-#10	NUT - #10-24 HEX KEP	4
8	H-6918-102404	SCREW - #10-24 X 1/2 SOCKET HEAD CAP	4
9	H-7321-#10	WASHER - #10 SAE PLAIN	4
10	S-1033-10	PLUG- MALE, SIDE ENTRY	1
11	S-1781-166	LABEL - FUSE 1.5A SB	1

8.8 66000-3 Main Assembly- iJOG without Air Sht. 1

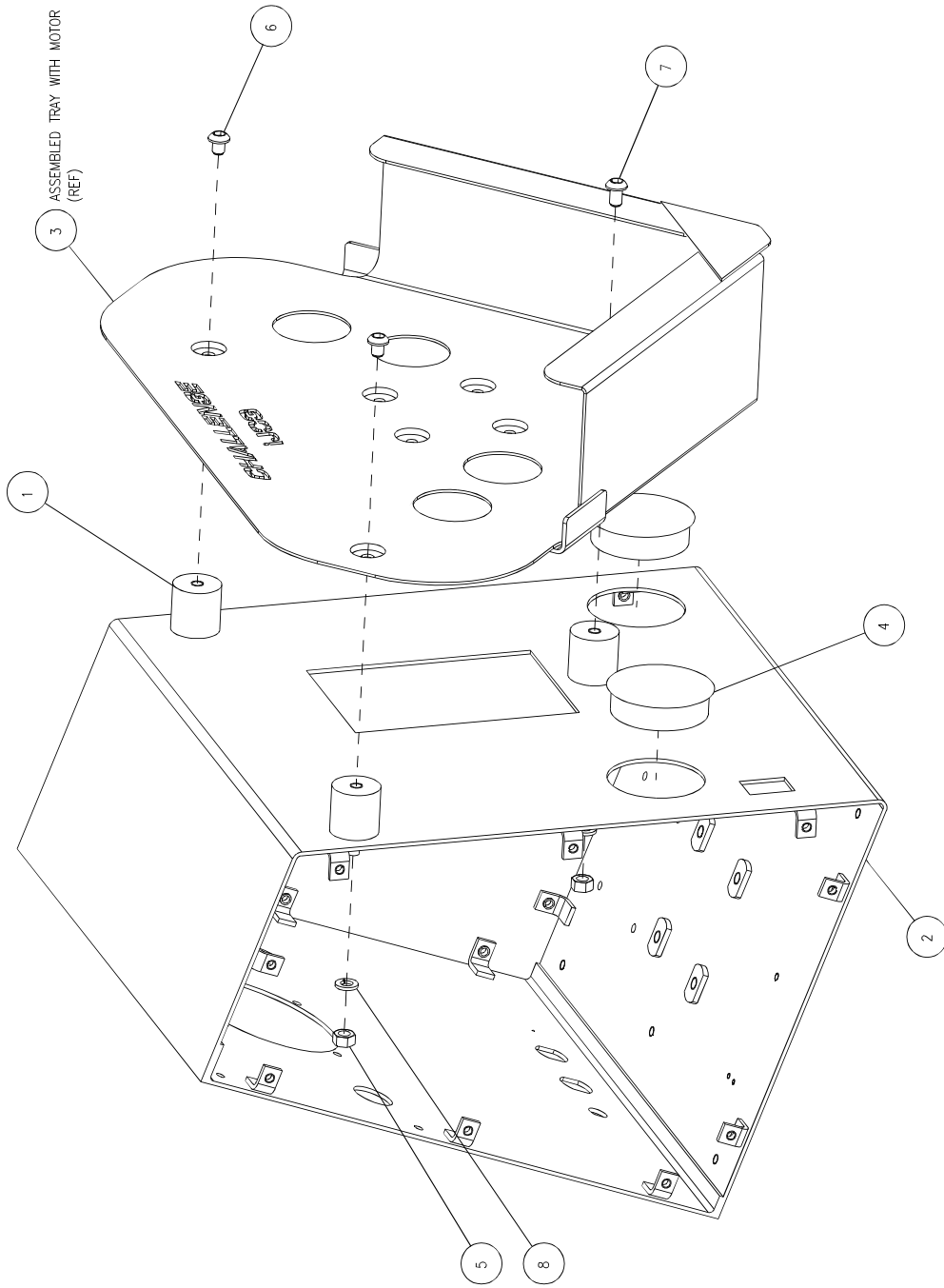


Main Assembly- iJOG without Air Sht. 1

66000-3 Sht. 1

ITEM	PART NO.	DESCRIPTION	QTY
1	66004-1	TUBE 1	
2	66005-1	ECCENTRIC WEIGHT	1
3	66015-1	NON-AIR JOGGING TRAY	1
4	66024	REINFORCEMENT PLATE	1
5	66025	REINFORCEMENT PLATE	1
6	E-1237-1	WIRE NUT - RED	2
7	E-1600-201	3500 RPM DC MOTOR	1
8	E-1736-2	QUENCHARC	1
9	H-6910-420SS	SCREW - 1/4-20 X 2-1/2 BUT. HEAD CAP STAINLESS	4
10	H-6918-403	SCREW - 1/4-20 X 3/8 SOCKET HEAD CAP	1
11	S-1350-16	STRAIN RELIEF BUSHING	1

8.9 66000-3 Main Assembly- iJOG without Air Sht. 2

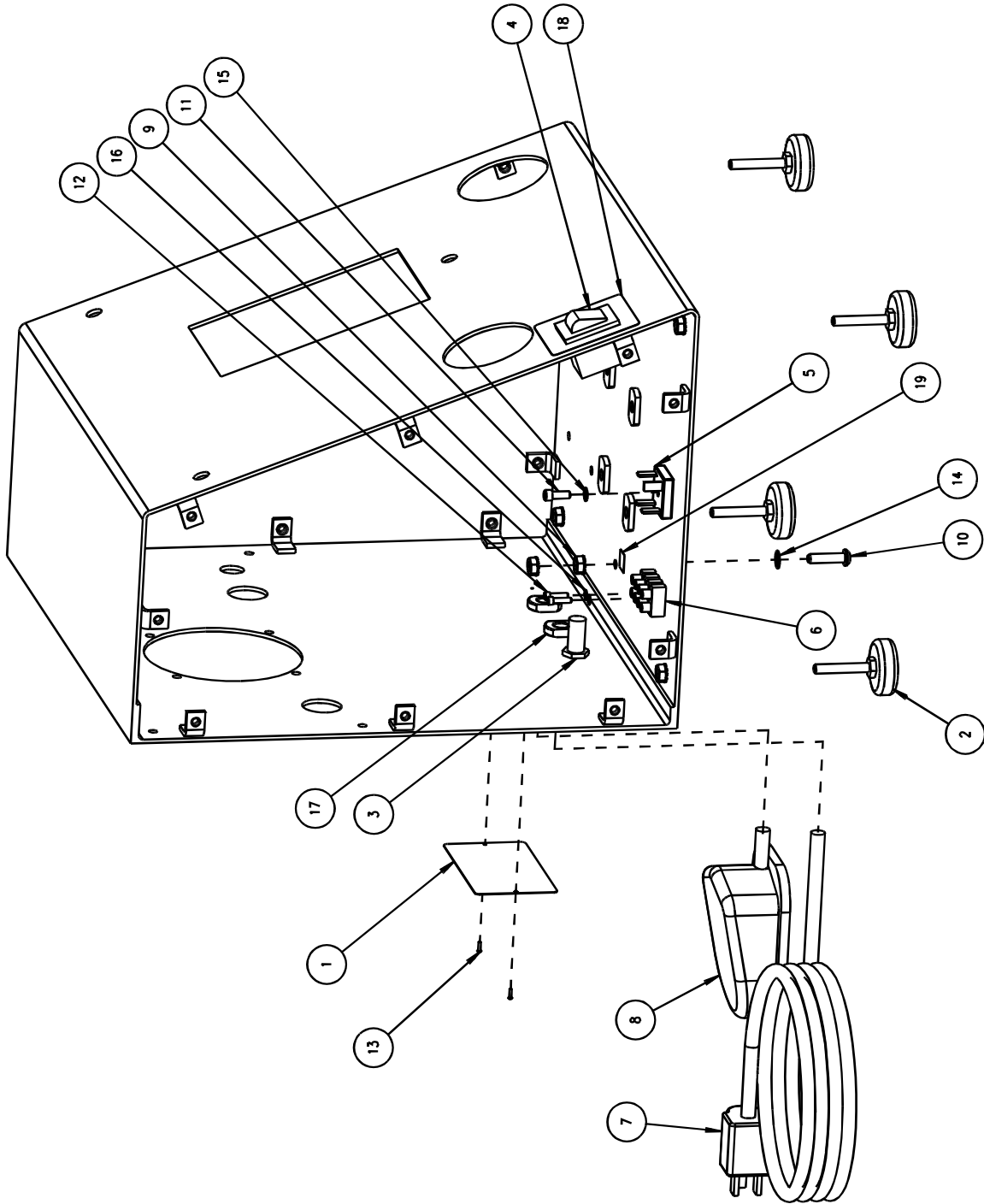


Main Assembly- iJOG without Air Sht. 2

66000-3 Sht. 2

ITEM	PART NO.	DESCRIPTION	QTY
1	40016-8	MOUNT - VIBRATION	3
2	66001-1	BASE WELDMENT	1
3	66015-1	NON-AIR JOGGING TRAY	1
4	E-2196-22	HOLE PLUG 2	
5	H-6417-5	NUT - 5/16-18 HEX	3
6	H-6910-503SS	SCREW - 5/16-18 X 3/8 BUT. HEAD CAP STAINLESS	2
7	H-6910-504SS	SCREW - 5/16-18 X 1/2 BUT. HEAD CAP STAINLESS	1
8	H-7327-10	WASHER - 5/16 MEDIUM LOCK	3

8.10 66000-3 Main Assembly- iJOG without Air Sht. 3

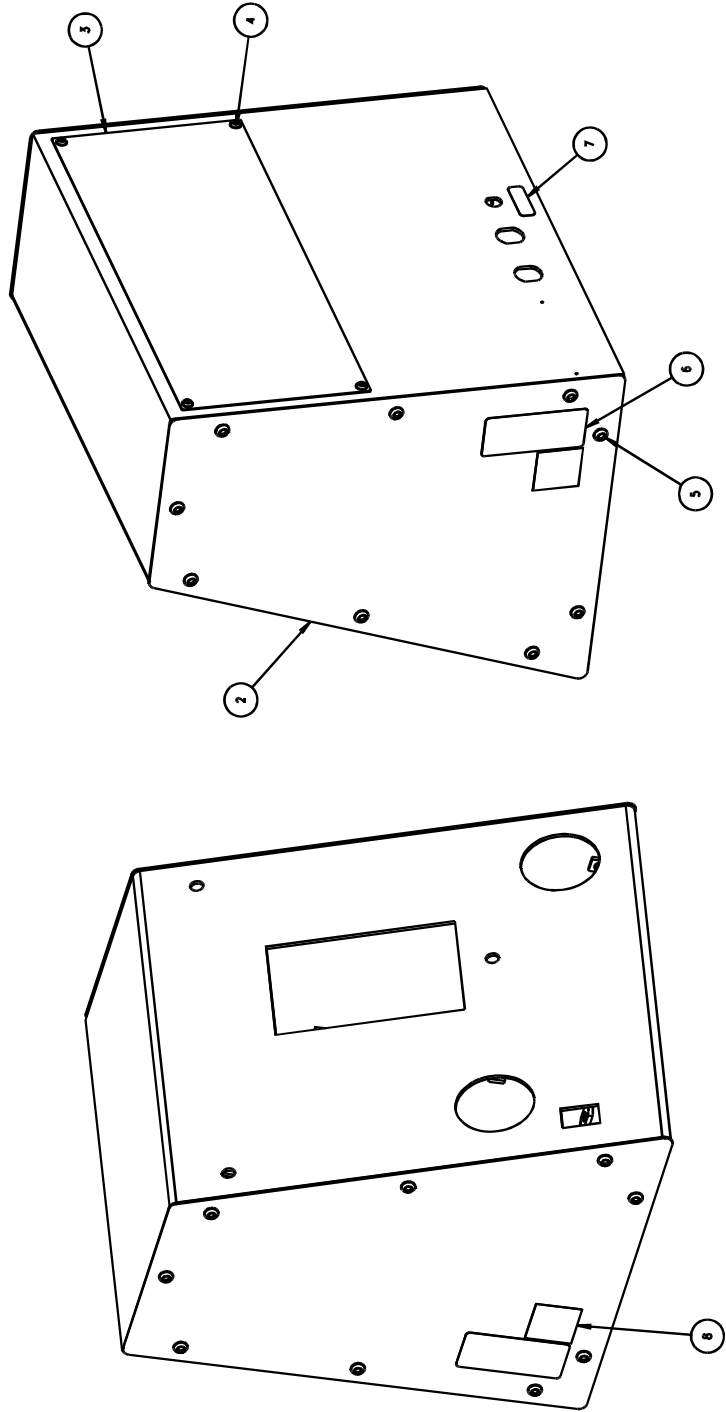


Main Assembly- iJOG without Air Sht. 3

66000-3 Sht. 3

ITEM	PART NO.	DESCRIPTION	QTY
1	14050	SERIAL PLATE	1
2	66016	LEVELING PAD	4
3	E-530-13	FUSE HOLDER- FUSE W/CAP (INCHES)	1
4	E-1140-17	ROCKER SWITCH	1
5	E-1143	BRIDGE RECTIFIER	1
6	E-2626-4	TERMINAL STRIP (4P)	1
7	EE-3191	POWER CORD - 120V	1
8	EE-3192	FOOT SWITCH ASSEMBLY	1
9	H-6423-4	NUT - 1/4-20 HEX KEP	6
10	H-6910-408	SCREW - 1/4-20 X 1 BUTTON HEAD CAP	1
11	H-6918-102404	SCREW - #10-24 X 1/2 SOCKET HEAD CAP	1
12	H-6918-63204	SCREW - #6-32 X 1/2 SOCKET HEAD CAP	2
13	H-6924-004	SCREW - #0 X 1/4 DRIVE SCREW	2
14	H-7324-8	WASHER - 1/4 INT TOOTH	1
15	H-7324-#10	WASHER - #10 INT TOOTH	1
16	H-7324-#6	WASHER - #6 INT TOOTH	2
17	S-1350-16	STRAIN RELIEF BUSHING	2
18	S-1781-164	POWER LABEL	1
19	S-1781-42	LABEL - GROUND	1

8.11 66000-3 Main Assembly- iJOG without Air Sht. 4

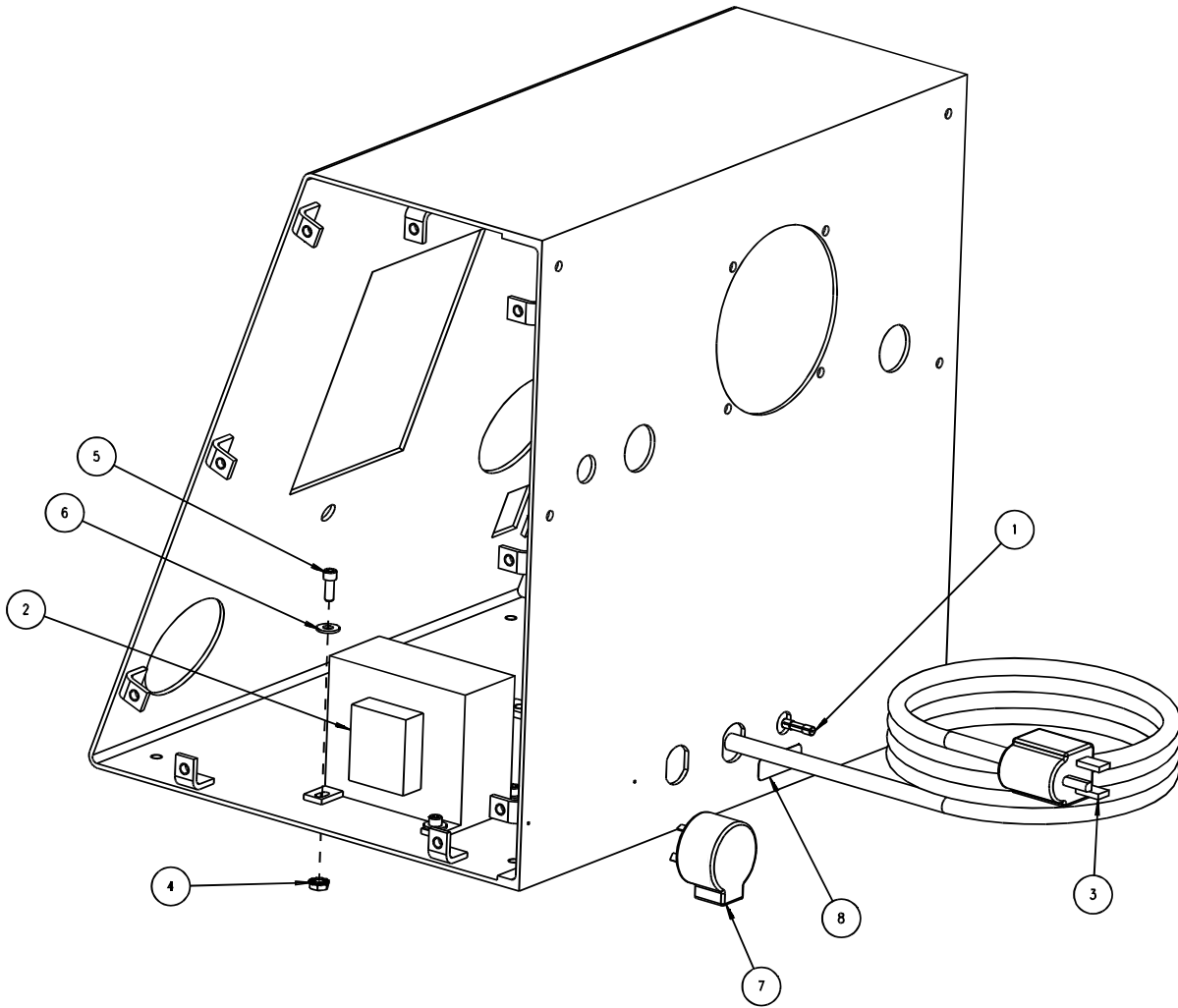


Main Assembly- iJOG without Air Sht. 4

66000-3 Sht. 4

ITEM	PART NO.	DESCRIPTION	QTY
1	66001-1	BASE WELDMENT	1
2	66006	SIDE COVER	2
3	66013	BACK COVER	1
4	H-6910-102403	SCREW - #10-24 X 3/8 BUTTON HEAD CAP	4
5	H-6910-403	SCREW - 1/4-20 X 3/8 BUTTON HEAD CAP	18
6	S-1781-15	LABEL - MOVING PARTS HAZARD	2
7	S-1781-165	LABEL - FUSE 5A SB	1
8	S-1781-50	LABEL - ELECTRIC SHOCK	2

8.12 66000-3 Main Assembly- iJOG without Air Sht. 5 (Aus)



Main Assembly- iJOG without Air Sht. 5

66000-3 Sht. 5

ITEM	PART NO.	DESCRIPTION	QTY
1	E-889-1	FUSE- 1.5 A SB	1
2	E-2742-12	TRANSFORMER	1
3	EE-2778-3	POWER CORD - 120V	1
4	H-6423-#10	NUT - #10-24 HEX KEP	4
5	H-6918-102404	SCREW - #10-24 X 1/2 SOCKET HEAD CAP	4
6	H-7321-#10	WASHER - #10 SAE PLAIN	4
7	S-1033-10	PLUG- MALE, SIDE ENTRY	1
8	S-1781-166	LABEL - FUSE 1.5A SB	1