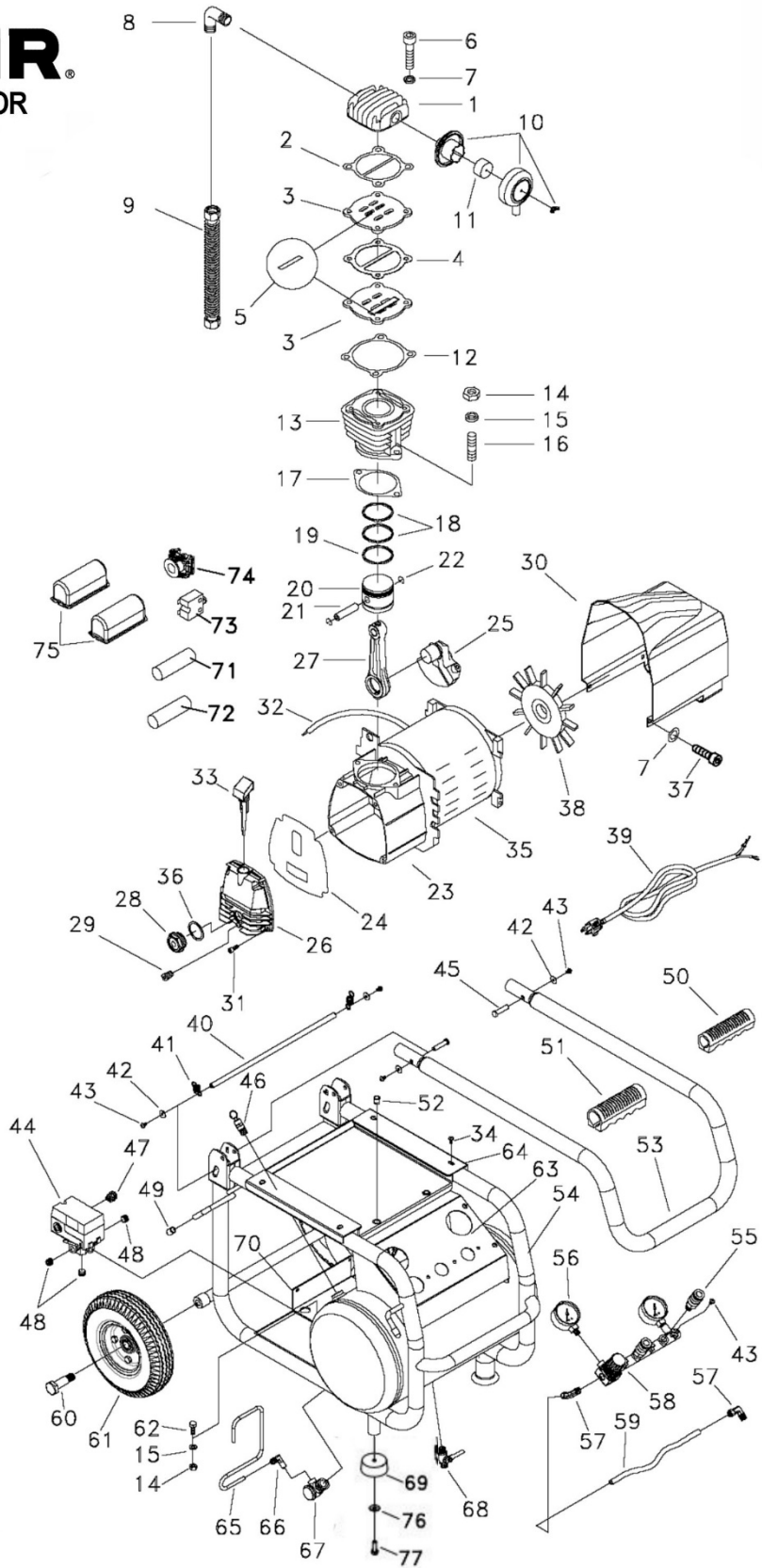
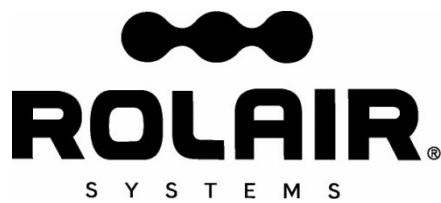


  
**ROLAIR®**  
 SCHEMATIC FOR  
 VT25BIG



**Production prior  
 to Sep. 2017**  
  
 69



## PARTS LIST FOR MODEL VT25BIG

| Schem. # | Description                     | Part #       | Qty. | Schem. # | Description                               | Part #               | Qty.   |
|----------|---------------------------------|--------------|------|----------|---|----------------------|--------|
| 1        | Head                            | VT101001     | 1    | 44       | Pressure Switch                           | VT412024             | 1      |
| 2        | Gasket<br>(supersedes VT211001) | VT211011     | 1    | 45       | Pin                                       | VT405004             | 2      |
|          |                                 |              |      | 46       | Safety Relief Valve                       | VT407009             | 1      |
| 3        | Valve Plate                     | VT104005     | 2    | 47       | Box Connector                             | VT457002             | 2      |
| 4        | Gasket                          | VT212006     | 1    | 48       | Pipe Plug                                 | VT360011             | 3      |
| 5        | Reed Valve                      | VT125004     | 2    | 49       | Cap                                       | VT439008             | 2      |
| 6        | Bolt                            | VT352087     | 4    | 50       | 1" Handle Grip                            | VT435017-1           | 1      |
| 7        | Washer                          | MIS10098     | 8    | 51       | 1.25" Handle Grip                         | VT435016-1           | 2      |
| 8        | Elbow                           | VT151404     | 1    | 52       | Hose Reel Mounts                          | VT480454             | 2      |
| 9        | Finned Aftercooler              | VT230092S    | 1    | 53       | Handle                                    | VT488012             | 1      |
| 10       | Intake Assembly                 | VT170006     | 1    | 54       | Tank Assembly<br>(prior to SN 170918335)  | VT401141             | 1      |
| 11       | Element                         | VT171002     | 1    |          | Tank Assembly<br>(after SN 170918335)     | VTF10B-US17          | 1      |
| 12       | Gasket<br>(supersedes VT213009) | VT213017     | 1    |          |   |                      |        |
| 13       | Cylinder                        | VT201013     | 1    | 55       | Quick Coupler                             | VT447013             | 2      |
| 14       | Nut                             | VT371005     | 6    | 56       | Gauge                                     | VT411037             | 2      |
| 15       | Washer                          | VT382005     | 6    | 57       | Elbow                                     | VT151209             | 2      |
| 16       | Stud Bolt                       | VT358001     | 2    | 58       | Regulator                                 | VT410014             | 1      |
| 17       | Gasket<br>(supersedes VT214001) | VT214010     | 1    | 59       | Tubing                                    | VT247040             | 1      |
|          |                                 |              |      | 60       | Bolt (prior to 1-14)<br>Bolt (after 1-14) | VT351305<br>VT351304 | 2<br>2 |
| 18       | Compression Ring                | VT206002     | 2    | 61       | Wheel-Pneumatic<br>(prior to 1-14)        | VT402016-1           | 2      |
| 19       | Oil Ring                        | VT207002     | 1    |          | Wheel-Rubber<br>(after 1-14)              | VT402007-1           | 2      |
| 20       | Piston                          | VT203002     | 1    |          |   |                      |        |
| 21       | Piston Pin                      | VT204002     | 1    |          |   |                      |        |
| 22       | Snap Ring                       | VT205001     | 2    |          |   |                      |        |
| 23       | Crankcase                       | VT301001     | 1    | 62       | Bolt                                      | VT351063             | 4      |
| 24       | Diaphragm                       | VT215001     | 1    | 63       | Panel                                     | VT488011             | 1      |
| 25       | Crankshaft                      | VT302001     | 1    | 64       | Air Hose Plate                            | VT488013             | 1      |
| 26       | Crankcase Cover                 | VT304012     | 1    | 65       | 1/4" Tubing                               | VT228070-B           | 1      |
| 27       | Connecting Rod                  | VT316001     | 1    | 66       | Elbow                                     | VT151002             | 1      |
| 28       | Oil Sight Gauge with<br>Gasket  | VT321001     | 1    | 67       | Check Valve                               | VT409004             | 1      |
|          |                                 |              |      | 68       | Drain Valve                               | VT413008             | 1      |
| 29       | Drain Bolt                      | VT360001     | 1    | 69       | Rubber Foot**<br>(prior to SN 170918335)  | VT434009             | 2      |
| 30       | Shroud                          | VT433001     | 1    |          | Rubber Foot<br>(after SN 170918335)       | VTF133-US17          | 2      |
| 31       | Bolt                            | VT352091     | 5    |          |   |                      |        |
| 32       | Cord                            | VT453076     | 1    |          |   |                      |        |
| 33       | Crankcase Vent                  | VT324004     | 1    | 70       | Mounting Plate                            | VT488009             | 1      |
| 34       | Screw                           | VT365004     | 4    | 71       | Start Capacitor                           | CAPVTSN460008        | 1      |
| 35       | Complete Motor/Pump<br>Assembly | PMP11VT25BIG | 1    | 72       | Run Capacitor                             | CAPVTRN462009        | 1      |
|          |                                 |              |      | 73       | Motor Reset                               | U1013                | 1      |
| 36       | Gasket*                         | use VT321001 | 1    | 74       | Motor Centrifugal Switch                  | VT459002             | 1      |
| 37       | Bolt                            | VT352071     | 4    | 75       | Capacitor Cover                           | VTCAPCOVERVT25BIG    | 2      |
| 38       | Fan                             | VT431012     | 1    | 76       | Washer                                    | VT381039             | 2      |
| 39       | Power Cord                      | VT452018     | 1    | 77       | Bolt                                      | VT351064             | 2      |
| 40       | Handle Release Bar              | VT405005     | 1    |          | Valve Kit (Includes<br>Ref#2, 4, 5, 12)   | VKVT25               | 1      |
| 41       | Spring Buckle                   | VT486004     | 2    |          |   |                      |        |
| 42       | Washer                          | VT381024     | 4    |          | Gasket Set                                | VT25GASKETS          | 1      |
| 43       | Screw                           | VT365003     | 11   |          | Ring Set                                  | VT25RINGS            | 1      |

\* Gasket is not available separately but included with VT321001 sight glass.

\*\* For best results use super glue on internal side walls to secure rubber foot to post.