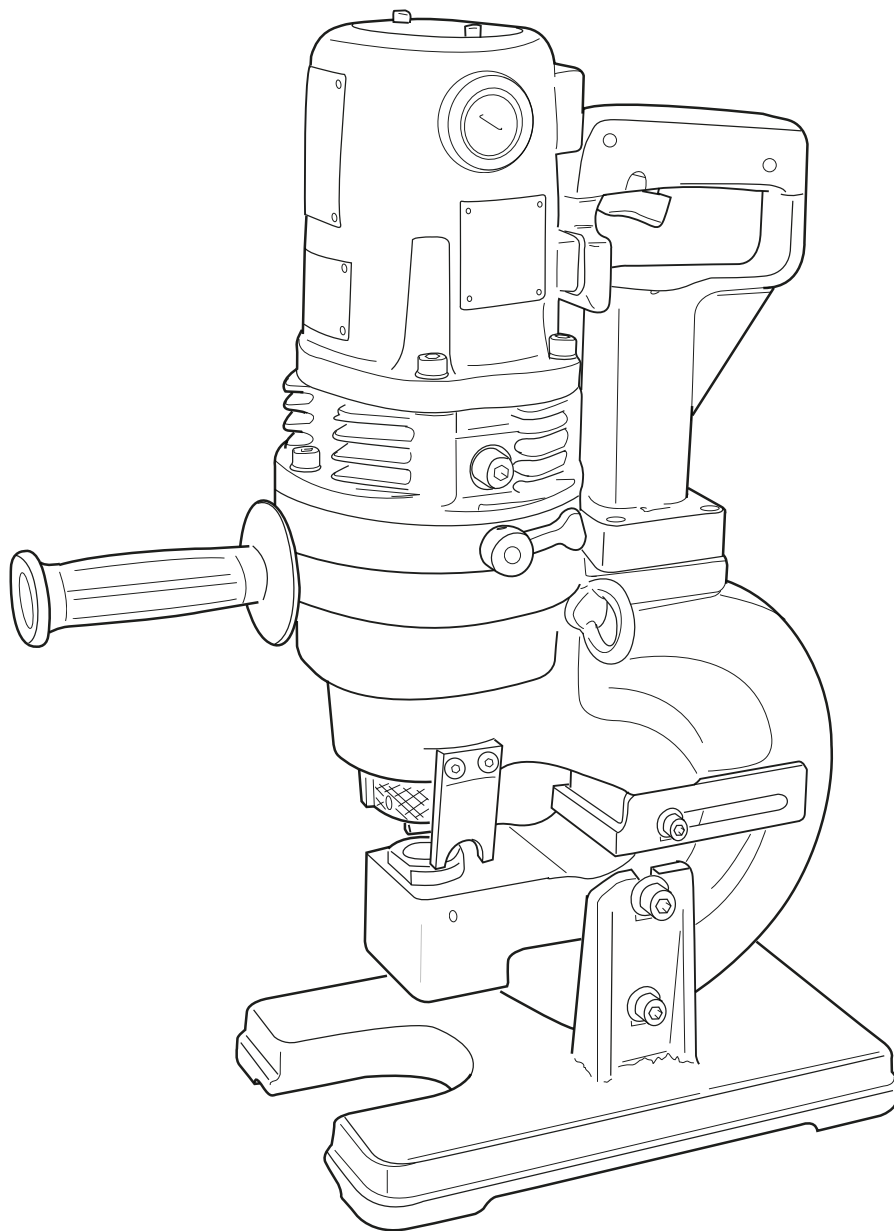


Hougen[®]-Ogura[™]

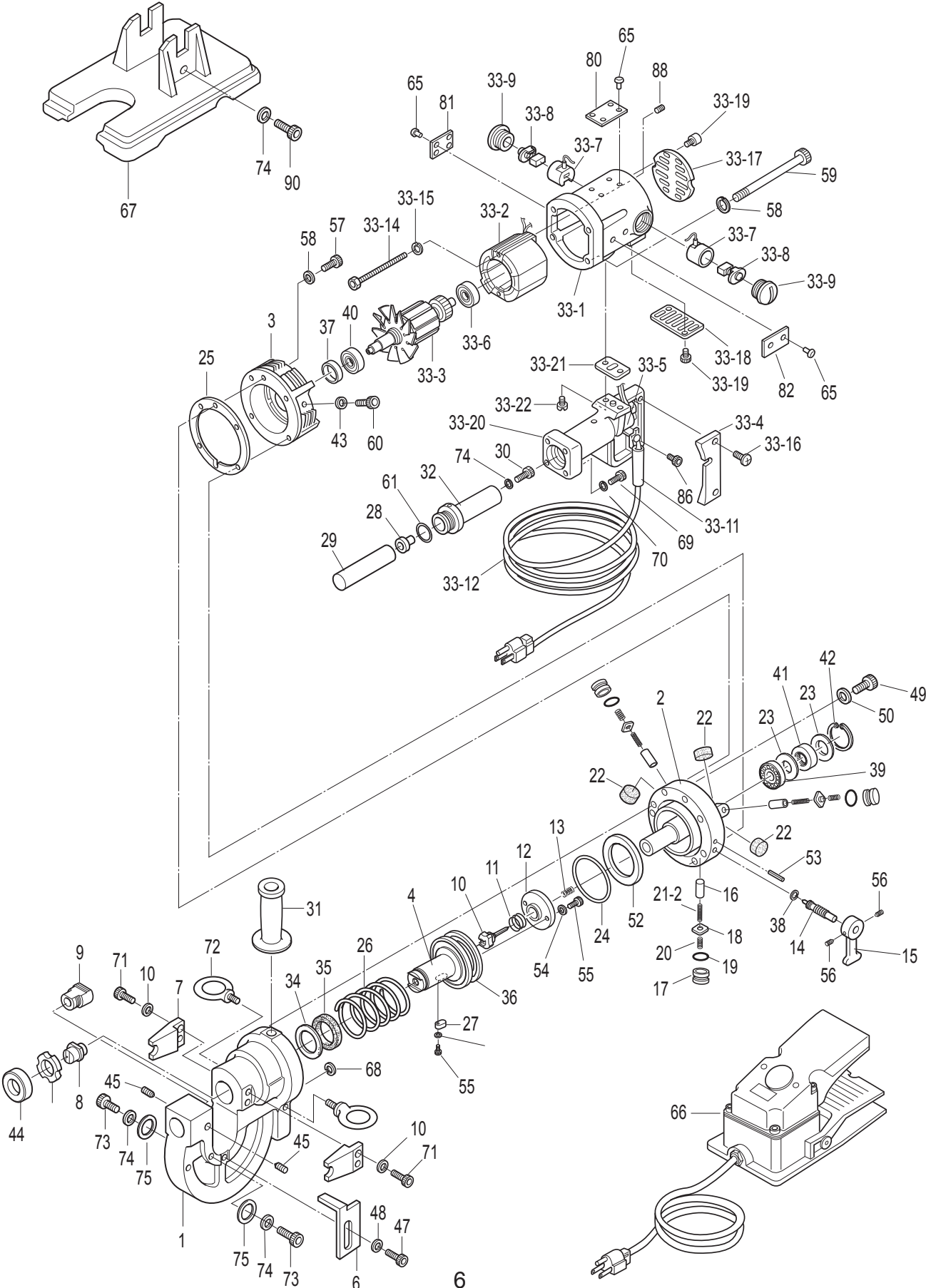
75005 PUNCH PRO[™] **ELECTRO-HYDRAULIC HOLE PUNCHER**

OPERATOR'S MANUAL

COVERS HOLE PUNCHER PART NUMBERS 0755101 & 755201



75005 EXPLODED VIEW



PARTS LIST - 75005

Item	Part #	Description	Qty	Item	Part #	Description	Qty
1	75260	"C" Frame	1	33-18	75288	Motor Side Grill	1
2	75323	Cylinder w/chamfers	1	33-19	75289	Pan Head Screw	4
3	75262	Pump Housing	1	33-20	75290	Adapter Plate	1
4	75263A	Punch Piston	1	33-21	75291	Switch Bracket Gasket	1
6	75264	Hole Locator	1	33-22	75292	Slotted Retainer	2
7	75265	Stripper	2	34	75293	Back up Ring	1
8	75539	Punch 13/16" Dia.	1	35	75294	Rod Seal Packing	1
9	75555	Die 13/16" A Type	1	36	75295	Packing	1
10	75266	Release Valve	1	37	75296	Oil Seal	1
11	75267	Valve Return Spring	1	38	75085	O-Ring	1
12	75268	Stop Plate	1	39	75086	Ball Bearing	1
13	75269	Valve Release Spring	1	40	75297	Ball Bearing	1
14	75046	Return Valve	1	41	75088	Roller Bearing	1
15	75047	Return Lever	1	42	75298	Retaining Ring	1
16	75270(A-J)	Pump Piston	3	43	75090	Washer Seal	1
17	75325	Rubber Packing w/groove	3	44	75299A	Punch Retaining Nut	1
18	75050	Check Valve	3	45	75300	Soc. Set Screw	1
19	75326	O-Ring	3	47	75301	Soc. Head Screw	1
20	75052	Check Valve Spring	3	48	75302	Flat Washer	1
21-1	75340	Piston Return Spring	3	49	75303	Soc. Head Screw	8
21-2	75341	Piston Return Spring	3	50	75304	Flat Washer	8
22	75054	Magnet	3	51	75305	Spanner Nut	1
23	75271	Spacer	2	52	75306	Backup Ring	1
24	75272	O-Ring	1	53	75100	Roll Pin	1
25	75273	Gasket	1	54	75105	Flat Washer	3
26	75274	Punch Return Spring	1	55	75307	Soc. Head Screw	3
27	75275	Punch Piston Key	1	56	75103	Soc. Head Screw	2
28	75136	Screw Bladder	1	57	75236	Soc. Head Screw	1
29	75137	Oil Bladder	1	58	75093	Heli Lock Washer	5
30	75138	Bladder Retaining Screw	1	59	75308	Soc. Head Screw	1
31	75063	Punch Handle	1	60	75107	Soc. Head Screw	1
32	75276	Bladder Cover	1	61	75309	O Ring	1
33-1	75277	Motor Housing	1	65	75109	Rivet	10
33-2	75278	Field (115V)	1	66	75110	Foot Switch (115V)	1
	76475	Field (230V)	1		76479	Foot Switch (230V)	1
33-3	75279	Armature (115V)	1		76480	Foot Switch (230V, Type I)	1
	76474	Armature (230V)	1	67	75311	Work Stand	1
33-4	75280	Switch Cover	1	68	75312	O Ring	2
33-5	75365	Switch	1	69	75313	Soc. Head Screw	4
33-6	75281	Ball Bearing	1	70	75097	Flat Washer	4
33-7	75282	Brush Cover	2	71	75314	Soc. Head Screw	4
33-8	75283	Carbon Brush (Pair)	1	72	75315	Eye Bolt	1
33-9	75284	Brush Cap	2	73	75316	Soc. Head Screw	2
33-11	75074	Strain Relief (115V)	1	74	75155	Heli Lock Washer	4
	76446	Strain Relief (230V)	1	75	75317	Flat Washer	2
33-12	75148	Power Cord (115V)	1	80	75033	Warning Tag	1
	76476	Power Cord (230V)	1	81	75034	Caution Tag	1
	76478	Power Cord (230V, Type I)	1	82	75031	Name Tag	1
33-14	75285	Hex Head Bolt	2	86	75350	Pan Head Screw	1
33-15	75150	Heli Lock Washer	2	88	75318	Soc. Set Screw	2
33-16	75286	Pan Head Screw	2	89	75247	Pan Head Screw	2
33-17	75287	Motor Top Grill	1	90	75226	Soc. Head Screw	1

PUNCHES AND DIES FOR 75005

ROUND PUNCH				MATERIAL		DIE	
Nominal	Size		Part No.	Thickness	Style	Size	Part No.
	Actual	Metric					
7/16"	.433	11mm	75532	>1/8 (.125) to 1/4 (.250) 10 to 3 GA.	F, A, H	Die 7/16 A	75541
				>1/4 (.250) to 3/8 (.375)	F, A, H	Die 7/16 B	75542
				5/16 (.312) max.	C	Die 7/16 C	75559
15/32"	.472	12mm	75937	>1/8 (.125) to 1/4 (.250) 10 to 3 GA.	F, A, H	Die 15/32 A	75939
				>1/4 (.250) to 3/8 (.375)	F, A, H	Die 15/32 B	75940
				5/16 (.312) max.	C	Die 15/32 C	75941
1/2"	.512	13mm	75533	>1/8 (.125) to 1/4 (.250) 10 to 3 GA.	F, A, H	Die 1/2 A	75543
				>1/4 (.250) to 3/8 (.375)	F, A, H	Die 1/2 B	75544
				5/16 (.312) max.	C	Die 1/2 C	75560
9/16"	.551	14mm	75534	>1/8 (.125) to 1/4 (.250) 10 to 3 GA.	F, A, H	Die 9/16 A	75545
				>1/4 (.250) to 3/8 (.375)	F, A, H	Die 9/16 B	75546
				5/16 (.312) max.	C	Die 9/16 C	75561
5/8"	.625	15.9mm	75535	>1/8 (.125) to 1/4 (.250) 10 to 3 GA.	F, A, H	Die 5/8 A	75547
				>1/4 (.250) to 3/8 (.375)	F, A, H	Die 5/8 B	75548
				5/16 (.312) max.	C	Die 5/8 C	75562
11/16"	.688	17.5mm	75536	>1/8 (.125) to 1/4 (.250) 10 to 3 GA.	F, A, H	Die 11/16 A	75549
				>1/4 (.250) to 3/8 (.375)	F, A, H	Die 11/16 B	75550
				5/16 (.312) max.	C	Die 11/16 C	75563
23/32"	.709	18mm	75938	>1/8 (.125) to 1/4 (.250) 10 to 3 GA.	F, A, H	Die 23/32 A	75942
				>1/4 (.250) to 3/8 (.375)	F, A, H	Die 23/32 B	75943
				5/16 (.312) max.	C	Die 23/32 C	75944
3/4"	.750	19mm	75537	>1/8 (.125) to 1/4 (.250) 10 to 3 GA.	F, A, H	Die 3/4 A	75551
				>1/4 (.250) to 3/8 (.375)	F, A, H	Die 3/4 B	75552
				5/16 (.312) max.	C	Die 3/4 C	75564
25/32"	.787	20mm	75538	>1/8 (.125) to 1/4 (.250) 10 to 3 GA.	F, A, H	Die 25/32 A	75553
				>1/4 (.250) to 3/8 (.375)	F, A, H	Die 25/32 B	75554
				5/16 (.312) max.	C	Die 25/32 C	75565
13/16"	.812	20.6mm	75539	>1/8 (.125) to 1/4 (.250) 10 to 3 GA.	F, A, H	Die 13/16 A	75555
				>1/4 (.250) to 3/8 (.375)	F, A, H	Die 13/16 B	75556
				5/16 (.312) max.	C	Die 13/16 C	75566
7/8"	.875	22.2mm	75540	>1/8 (.125) to 1/4 (.250) 10 to 3 GA.	F, A, H	Die 7/8 A	75557
				>1/4 (.250) to 3/8 (.375)	F, A, H	Die 7/8 B	75558
				5/16 (.312) max.	C	Die 7/8 C	75567

OBLONG PUNCH				MATERIAL		DIE	
Nominal	Size		Part No.	Thickness	Style	Size	Part No.
	Actual	Metric					
7/16" x 5/8"	.433 x .650	11mm x 16.5mm	75690	>1/8 (.125) to 1/4 (.250) 10 to 3 GA.	F, A, H	Die 7/16 x 5/8 A	75694
				>1/4 (.250) to 3/8 (.375)	F, A, H	Die 7/16 x 5/8 B	75695
				5/16 (.312) max.	C	Die 7/16 x 5/8 C	75702
1/2" x 3/4"	.512 x .768	13mm x 19.5mm	75691	>1/8 (.125) to 1/4 (.250) 10 to 3 GA.	F, A, H	Die 1/2 x 3/4 A	75696
				>1/4 (.250) to 3/8 (.375)	F, A, H	Die 1/2 x 3/4 B	75697
				5/16 (.312) max.	C	Die 1/2 x 3/4 C	75703
9/16" x 13/16"	.551 x .827	14mm x 21mm	75692	>1/8 (.125) to 1/4 (.250) 10 to 3 GA.	F, A, H	Die 9/16 x 13/16 A	75698
				>1/4 (.250) to 3/8 (.375)	F, A, H	Die 9/16 x 13/16 B	75699
				5/16 (.312) max.	C	Die 9/16 x 13/16 C	75704
11/16" x 13/16"	.709 x .827	18mm x 21mm	75693	>1/8 (.125) to 1/4 (.250) 10 to 3 GA.	F, A, H	Die 11/16 x 13/16 A	75700
				>1/4 (.250) to 3/8 (.375)	F, A, H	Die 11/16 x 13/16 B	75701

