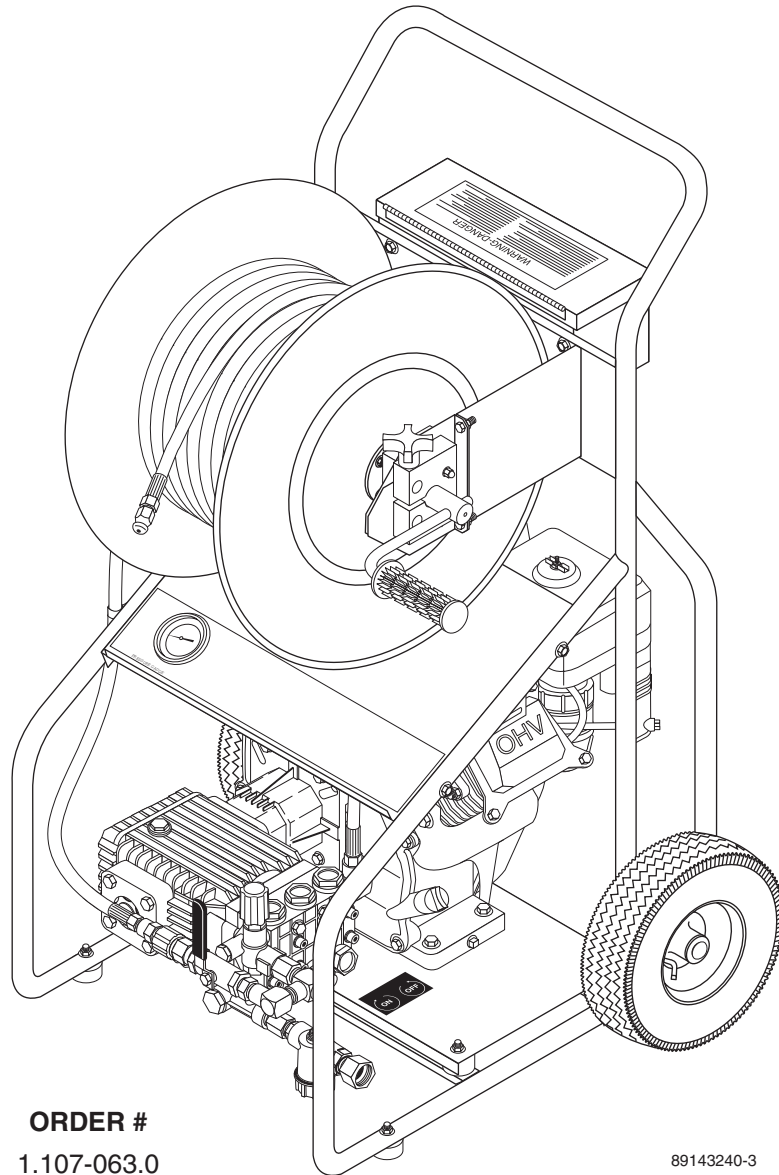




SJDDG-3011

OPERATOR'S MANUAL



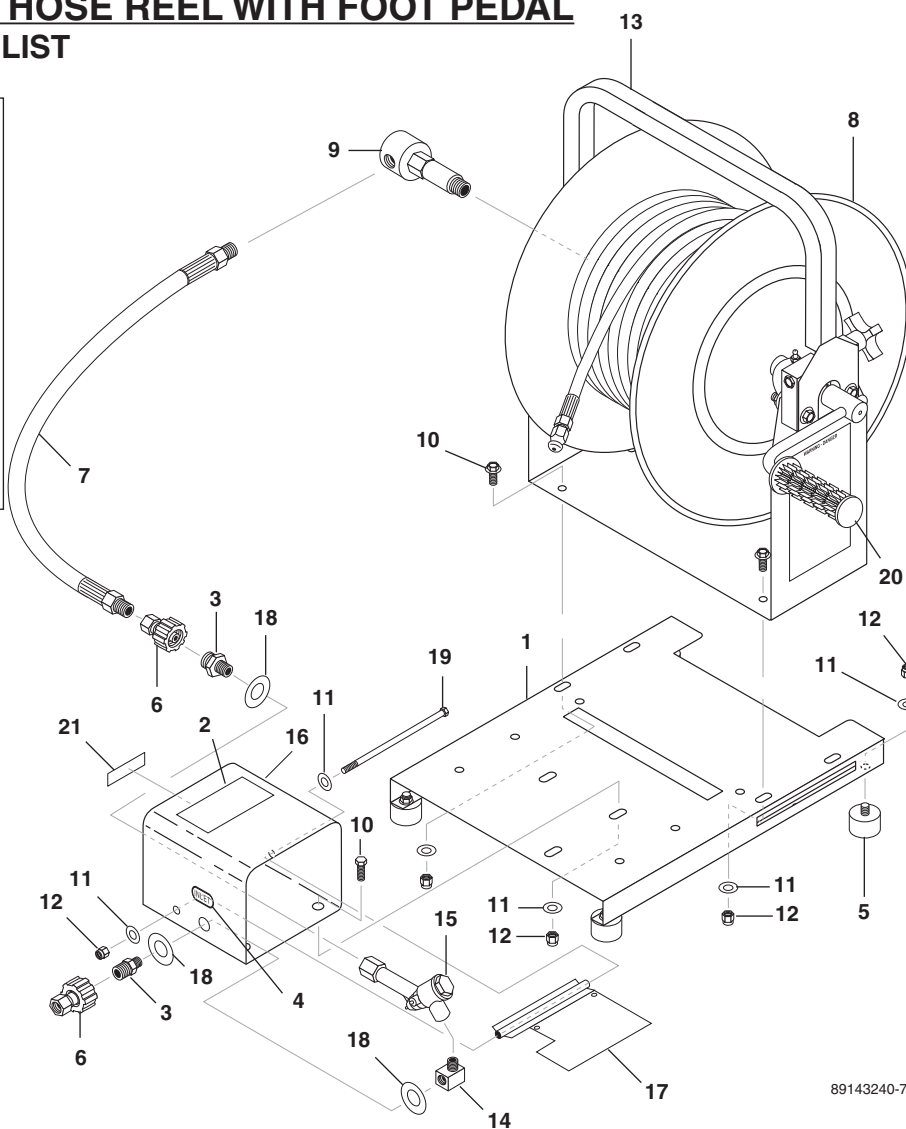
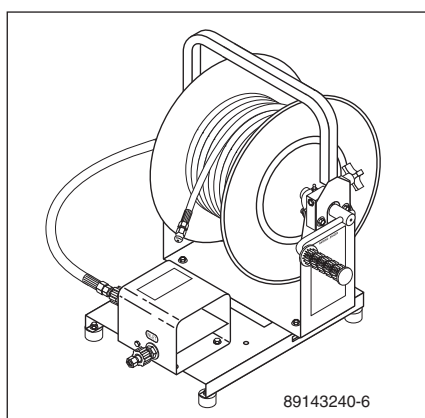
MODEL #	ORDER #
SJDDG-3011	1.107-063.0
SJDDG-3011-B	1.107-205.0
SJDDG-3011-C	1.107-206.0

89143240-3

EXPLODED VIEW PARTS LIST SJDDG-3011

ITEM	PART NO.	DESCRIPTION	QTY	ITEM	PART NO.	DESCRIPTION	QTY
1	8.715-339.0	Pump, General TX1510G8	1	28	9.802-810.0	Swivel, 1/2" MP x 3/4" GHF, w/Strainer	1
2	8.711-865.0	Assy Hose Reel, SJDDG-3011	1	29	9.802-810.0	Washer, 5/8" Flat, SAE	2
3	8.911-644.0	Base, Engine Mount, SJDDG-3011	1	30	8.718-772.0	Bolt, Hex, 5/16" x 1-1/2" FLG	8
4	8.911-643.0	Weld Frame SJDDG-3011	1	31	9.802-723.0	Bolt, Hex, G5 3/8" x 16 x 1-1/2"	4
5	8.750-580.0	Engine Gas, Honda GX390	1	32	9.803-551.0	Screw, 5/16" x 3/4" Whiz Loc	3
	8.900-967.0	▲ Tag, Caution No Oil/Engine	1	33	8.718-980.0	Washer, 5/16" Flat, SAE	21
6	8.911-665.0	Box, Tool	1	34	9.802-060.0	Mount, Rubber	4
7	8.900-866.0	Decal, JSG Warn Danger	1	35	9.800-006.0	Label, Hot/Caliente	1
8	8.754-186.0	QH Wheel Assy, 10" Gray Steel Rim w/Tub	2	36	9.802-776.0	Nut, 5/16" ESNA, NC	21
9	9.802-783.0	Cap Axle 5/8", BLK	2		8.914-324.0	▲ Manual, Shark Jetters	1
10	8.911-645.0	Sheet, Fab Panel, SJDDG-3011	1	37	9.802-773.0	Nut, 1/4" ESNA, NC	2
11	8.712-150.0	Gauge, Panel Mount, Glycerin	1	38	9.802-179.0	▲ Anti-Siphon Valve	1
12	8.902-986.0	Pedal, Foot (Optional)	1	39	8.706-984.0	Adapter, 1/2" x 1/2"	1
13	8.918-179.0	Hose, 1/4" x 13.25", 1/4"MS x 3/8" M	1	40	8.707-256.0	Pump Protector, 1/2"	1
14	8.706-818.0	Elbow, 1/4", Fem	1	41	9.802-069.0	Grip, 1" Handle	1
15	8.706-207.0	Elbow, 3/8" Street	3	42	8.706-294.0	Bushing, 1/2" x 3/8" Steel	1
16	8.704-195.0	Valve, Jetter, EZ Pump	1	43	8.706-864.0	Plug, 1/8" Countersunk	1
17	9.802-163.0	Strainer, 1/2 PA, Inline Plastic	1	44	9.802-207.0	Clamp, Screw	1
18	8.705-974.0	Nipple, 3/8" x Hex Steel,	1	45	9.802-807.0	Washer, 3/8" Flat	4
19	9.802-361.0	Unloader, PA 8GPM @3600 PSI VB75K	1	46	9.802-814.0	Washer, 3/8" Lock, Split	4
20	8.707-204.0	Valve, 3/8" Ball, Steel	1	47	8.706-742.0	▲ Plug, Garden Hose Adapter	1
21	8.707-185.0	Plug, 3/8" MPT x MZZ, Screw Type	1	48	9.802-959.0	Key, .247 Sqaure x 2-1/8"	1
22	8.707-182.0	Coupler, 3/8" Female, Screw Type 7640	1	49	9.802-802.0	Washer, 1/4" Flat, SAE	2
23	8.900-979.0	Label, Pulse On-Off	1	50	9.800-008.0	Label, Danger Cool Engine	1
24	8.901-073.0	Decal, SJDDG-3011	1	51	8.706-690.0	Cover, Handle	1
25	9.802-058.0	Bumper, Rubber 1", w/Bolt	2	52	9.802-701.0	Bolt, 1/4" x 20 x 1", Hex Head Zinc	1
26	8.711-875.0	Swivel, 1/2" x 1/2" Pipe	1	53	8.719-005.0	Washer, 1/4" x 1"	1
27	8.918-201.0	Hose, 3/8" x 34", 3/8"MS x 3/8"MSW	1			▲ Not Shown	

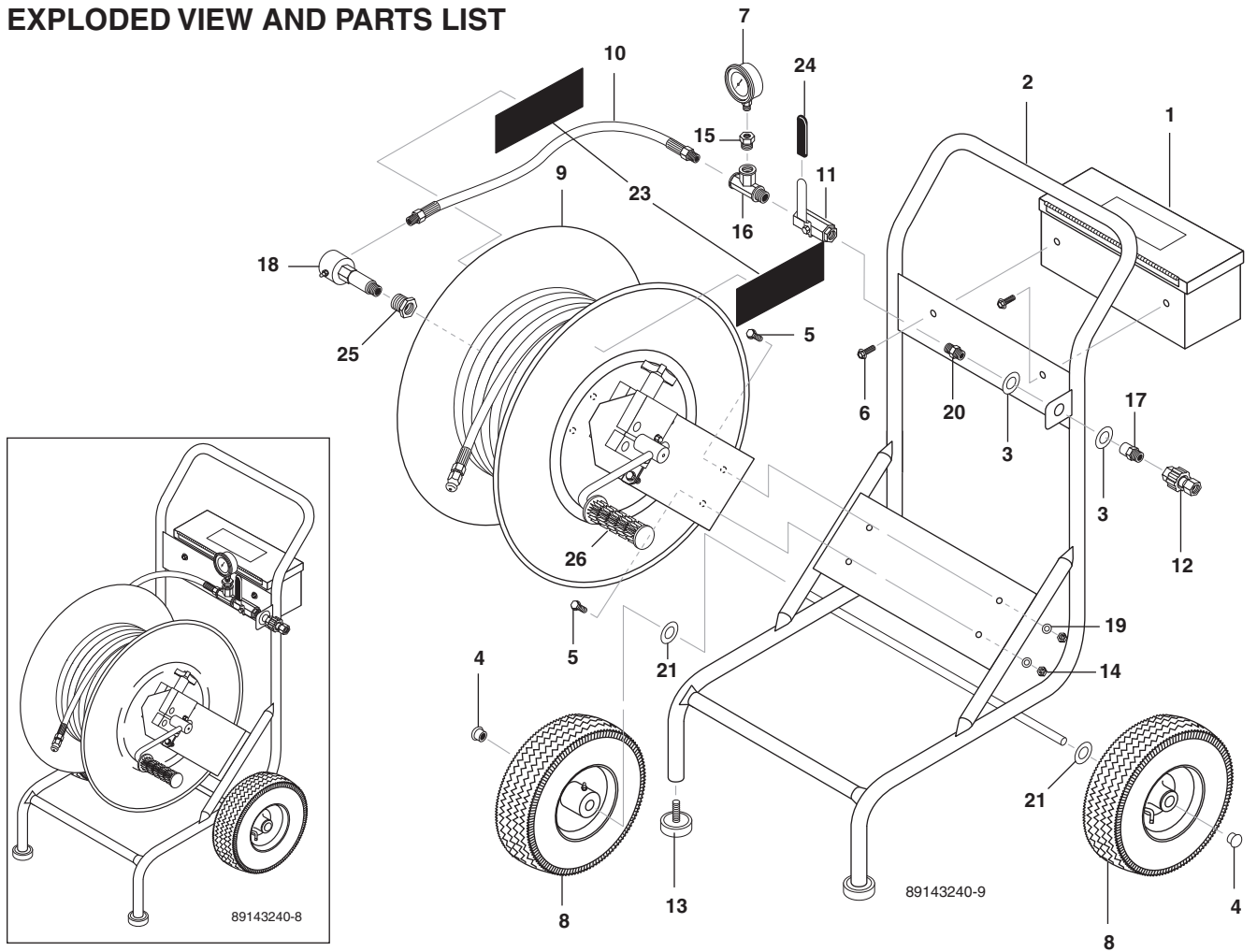
**OPTIONAL SHR-200FP HOSE REEL WITH FOOT PEDAL
EXPLODED VIEW & PARTS LIST**



ITEM	PART NO.	DESCRIPTION	QTY
1	8.911-637.0	Bracket, Hose Reel Mount	1
2	8.940-374.0	Label, SHR-200	1
3	8.707-186.0	Nipple, 1/4" x M22, Twist	2
4	8.940-349.0	Label, Inlet	1
5	8.706-519.0	Foot, Rubber	4
6	8.707-182.0	Coupler, 3/8" Female Screw Type 7640	2
7	8.918-190.0	Hose, 3/8" x 17.5", 1 Wire, 3/8" MNPT(SLD) x 3/8" MNPT(SWL)	1
8	8.711-866.0	Hose Reel, 13"	1
9	8.711-874.0	Swivel, 3/8" x 3/8"	1
10	9.803-551.0	Screw, 5/16" x 3/4" Whiz Loc	7
11	8.718-980.0	Washer, 5/16"	13
12	9.802-776.0	Nut, 5/16" ESNA	12
13	8.911-636.0	Hose Reel Guard	1

ITEM	PART NO.	DESCRIPTION	QTY
14	8.706-827.0	Elbow, 1/4" Street	1
15	8.718-436.0	Valve Assy, Complete	1
16	8.911-654.0	Cover, Welded Assy. Foot Valve	1
17	8.911-655.0	Plate, Foot Valve Assy	1
18	9.802-800.0	Washer, 1/2" Flat	3
19	8.718-640.0	Bolt, 5/16" x 6-1/2" HH, NC	1
20	9.802-069.0	Grip, 1" Handle, Waffle	1
21	8.940-343.0	Label, Discharge	1

SHR-300 EXPLODED VIEW AND PARTS LIST



ITEM	PART NO.	DESCRIPTION	QTY
1	8.911-665.0	Assy, Tool Box	1
2	8.911-642.0	Assy, Frame, Cart Reel	1
3	8.719-007.0	Washer, 3/4" x 1-1/2", .102 THK Brass	2
4	9.802-783.0	Cap, 5/8" Axle, BLK	2
5	9.803-551.0	Screw, 5/16" x 3/4" Whiz	4
6	9.802-754.0	Screw, 1/4" x 1/2" HH NC, Whiz Loc	2
	9.802-773.0	▲ Nut, 1/4" ESNA	2
	9.802-802.0	▲ Washer, 1/4" Flat, SAE	2
7	8.712-141.0	Gauge, Pressure 0-5000 PSI	2
8	8.754-186.0	QH Wheel Assy, 10" Gray Steel Rim w/Tub	2
9	8.711-865.0	Hose Reel, 18"	1
10	4-02047823	Hose, 3/8" x 23", 2 Wire 3/8" SMNPT x 3/8" SWMNPT	1
11	8.707-204.0	Valve, 3/8" Ball, Steel	1

ITEM	PART NO.	DESCRIPTION	QTY
12	8.707-182.0	Coupler, 3/8" Female Screw-Type 7640	1
13	8.706-511.0	Foot, Rubber (Crutch)	2
14	9.802-776.0	Nut, 5/16" ESNA	4
15	8.706-297.0	Bushing, 3/8" x 1/4" Steel	1
16	8.706-234.0	Tee, 3/8" Street	1
17	8.707-184.0	Plug, 3/8" FX M22, Twist Coupler	1
18	8.711-875.0	Swivel, 1/2" x 3/8"	1
19	8.718-980.0	Washer, 5/16" Flat	4
20	8.705-974.0	Nipple, 3/8" Hex Steel	1
21	9.802-810.0	Washer, 5/8" Flat, SAE	2
22	8.940-342.0	Label, CR-300	1
23	8.900-862.0	Label, Shark Logo	2
24	8.706-690.0	Cover, Handle, LG	1
25	8.706-294.0	Bushing, 1/2" x 3/8", Steel	1
26	9.802-069.0	Grip, 1", Handle, Waffle	1

▲ Not Shown

SPECIFICATIONS

NOZZLES

JETTING NOZZLES						
Part Number	Size	Thread Size	Forward Jet	Rear Jets	Max PSI	Available In Set
8.710-877.0	6.0	1/4"	1	4	4200	9.803-321.0
8.710-878.0	4.5	1/4"	1	3	4200	9.803-319.0
8.710-879.0	8.0	1/4"	1	3	4200	9.803-322.0
8.710-886.0	8.5	3/8"	1	4	4200	9.803-322.0
8.751-944.0	3.0	1/8"	0	3	5100	9.803-318.0
8.751-945.0	3.0	1/8"	1	3	5100	9.803-318.0
8.751-946.0	3.0	1/4"	0	3	5100	9.803-318.0
8.751-947.0	3.0	1/4"	1	3	5100	9.803-318.0
8.751-951.0	4.5	3/8"	1	3	4100	9.803-319.0
8.751-952.0	6.0	1/4"	0	3	5100	9.803-321.0
8.751-953.0	6.0	1/4"	1	3	5100	9.803-321.0
8.751-956.0	6.0	3/8"	0	3	5100	9.803-320.0
8.751-957.0	6.0	3/8"	1	3	5100	9.803-320.0
8.751-958.0	6.0	3/8"	1	9	3650	

ROTATING NOZZLES					
Part Number	Size	Thread Size	Forward Jet	Rear Jets	Max PSI
8.710-899.0	5.5	1/8"	0	3	4000
8.710-898.0	5.5	1/4"	0	3	4000
8.710-900.0	8.0	1/4"	0	3	4000

DUCT CLEANER ROTATING NOZZLES					
Part Number	Size	Thread Size	Forward Jet	Side Jets	Max PSI
8.710-887.0	5.5	1/4"	0	2	4000

NOZZLE SETS			
Part Number	Size	Description	Number of Nozzles
9.803-318.0	3.0	Nozzle Kit, 1/8" and 1/4"	4
9.803-319.0	4.5	Nozzle Kit, 1/8" and 1/4"	2
9.803-320.0	6.0	Nozzle Kit, 3/8"	2
9.803-321.0	6.0	Nozzle Kit, 1/4"	3
9.803-322.0	8.0	Nozzle Kit, 1/4" and 3/8"	2

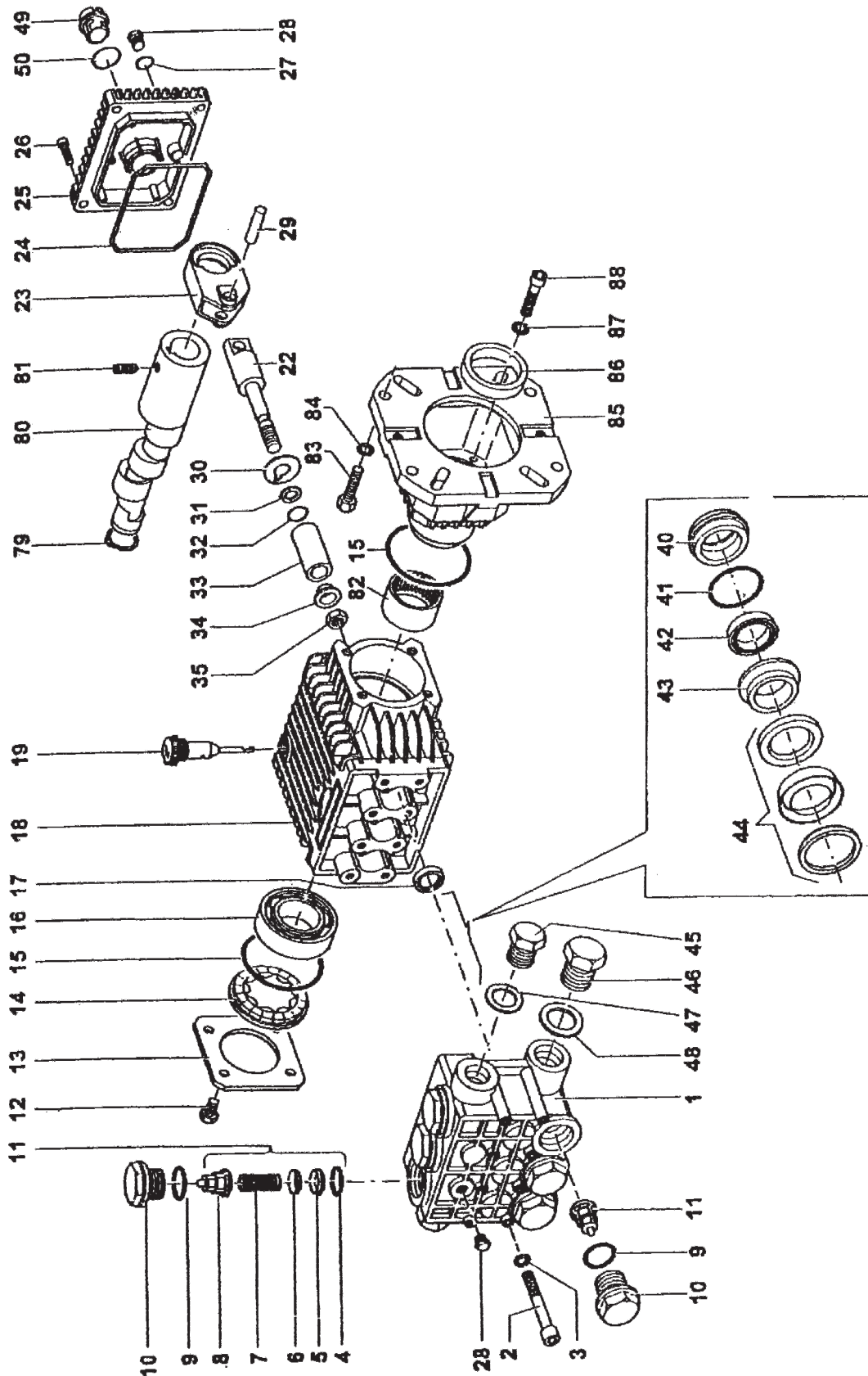
SPECIFICATIONS
JETTER HOSES, ADAPTERS AND BUSHINGS

JETTER HOSES					
Part Number	Diameter	Length (ft)	Max PSI	End 1	End 2
8.751-927.0	1/8"	25	4800	1/8" MPT	1/8" MPT
8.751-927.0	1/8"	50	4800	1/8" MPT	1/8" MPT
8.751-929.0	1/8"	75	4800	1/8" MPT	1/8" MPT
8.705-601.0	1/8"	25	4800	1/4" MPT	1/8" MPT
8.705-602.0	1/8"	50	4800	1/4" MPT	1/8" MPT
8.705-603.0	1/8"	100	4800	1/4" MPT	1/8" MPT
8.705-607.0	1/4"	50	2600	1/4" MPT	1/4" MPT
8.705-608.0	1/4"	100	2600	1/4" MPT	1/4" MPT
8.705-610.0	1/4"	50	4400	1/4" MPT	1/4" MPT
8.795-611.0	1/4"	100	4400	1/4" MPT	1/4" MPT
8.751-930.0	1/4"	150	4400	1/4" MPT	1/4" MPT
8.751-931.0	1/4"	200	4400	1/4" MPT	1/4" MPT
8.751-932.0	3/8"	50	4000	3/8" MPT	3/8" MPT
8.751-933.0	3/8"	100	4000	3/8" MPT	3/8" MPT
8.751-934.0	3/8"	150	4000	3/8" MPT	3/8" MPT
8.751-935.0	3/8"	200	4000	3/8" MPT	3/8" MPT
8.751-936.0	3/8"	250	4000	3/8" MPT	3/8" MPT
8.751-937.0	3/8"	300	4000	3/8" MPT	3/8" MPT
8.751-938.0	1/2"	100	4000	1/2" MPT	1/2" MPT
8.751-939.0	1/2"	150	4000	1/2" MPT	1/2" MPT
8.751-940.0	1/2"	200	4000	1/2" MPT	1/2" MPT
8.751-941.0	1/2"	250	4000	1/2" MPT	1/2" MPT
8.751-942.0	1/2"	300	4000	1/2" MPT	1/2" MPT
8.751-943.0	1/2"	400	4000	1/2" MPT	1/2" MPT

ADAPTERS & BUSHINGS	
Part Number	Description
9.803-054.0	1/4" X 1/8" FPT X MPT
8.705-185.0	3/8" X 1/8" FPT X MPT
9.804-007.0	3/8" X 1/4" FPT X MPT
9.803-564.0	1/8" X 1/4" FPT X MPT
8.705-129.0	1/4" X 3/8" FPT X MPT
8.705-364.0	1/4" X 1/4" FPT X FPT
8.705-366.0	3/8" X 3/8" FPT X FPT
8.705-369.0	1/2" X 1/2" FPT X FPT
8.705-371.0	3/4" X 3/4" FPT X FPT

PUMP MODEL TX1510G8

JET SET MODEL SJDDG-3011, PART #8.715-339.0



PUMP MODEL TX1510G8

JET SET MODEL SJDDG-3011, PART #8.715-339.0

ITEM	PART NO.	DESCRIPTION	QTY
1	1-63120041	Manifold, 15mm	1
2	1-99319200	Screw, M8 x 65	8
3	1-96701400	Lockwasher, M8.4	8
4	1-90384100	O-Ring (Kit 123)	6
5	1-36200366	Valve Seat (Kit 123)	6
6	1-36200176	Valve (Kit 123)	6
7	1-94737600	Spring (Kit 123)	6
8	1-36202551	Valve Cage (Kit 123)	6
9	1-90384700	O-Ring (Kit 124)	6
10	1-98222600	Valve Cap (Kit 124)	6
11	1-36711501	Valve Assembly (Kit 123)	6
12	1-99180700	Screw, M6 x 10	8
13	1-50150074	Bearing Cover	1
14	1-44211801	Oil Level Indicator	1
15	1-90409700	O-Ring	2
16	1-91832900	Ball Bearing	1
17	1-90161400	Oil Seal (Kit 159)	3
18	1-63010022	Crankcase	1
19	1-98210300	Oil Dip Stick	1
22	1-63050066	Plunger Guide	3
23	1-63030022	Connecting Rod	3
24	1-90392000	O-Ring, Cover	1
25	1-63160022	Rear Crankcase Cover	1
26	1-99183700	Screw	4
27	1-701013	O-Ring	1
28	1-98204100	Plug, 1/4" G	2
29	1-97733500	Connecting Rod Pin	3
30	1-96707500	Finger Washer	3
31	1-660024	Anti-Extrusion Ring	3
32	1-701009	O-Ring	3
33	1-52040009	Ceramic Plunger, 15mm	3
34	1-44211570	Bushing	3
35	1-92221500	Nut, M8	3
40	1-63080070	O-Ring (Kits 162, 166)	3

ITEM	PART NO.	DESCRIPTION	QTY
41	1-90360800	O-Ring (Kits 166, 1667)	3
42	1-90260800	Seal, LP, 15mm (Kits 160, 166)3	
43	1-63216070	Int. Ring 15mm (Kits 164, 166)3	
44	1-90261200	Packing Assy., 15mm (Kits 160, 166)	3
45	1-98210000	Plug, 3/8" G	1
46	1-98217600	Plug, 1/2" G	1
47	1-96738000	Washer, M17.5	1
48	1-96751400	Washer, M21.5	1
49	1-63210051	Oil Level Indicator	1
50	1-90405100	O-Ring	1
79	1-90063500	Retaining Ring	1
80	1-63027765	Crankshaft, 6.5	1
	1-63028065	Crankshaft, 8	1
	1-63028465	Crankshaft, 10	1
81	1-99179000	Screw, M6 x 6	1
82	1-91856800	Roller Bearing	1
83	1-99334500	Screw, 3/8" x 1	4
84	1-96710400	Washer	4
85	1-10051822	Flange 1", Gas Engine	1
86	1-90169000	Oil Seal	1
87	1-96693800	Washer	4
88	1-99191200	Screw, M6 x 30	1

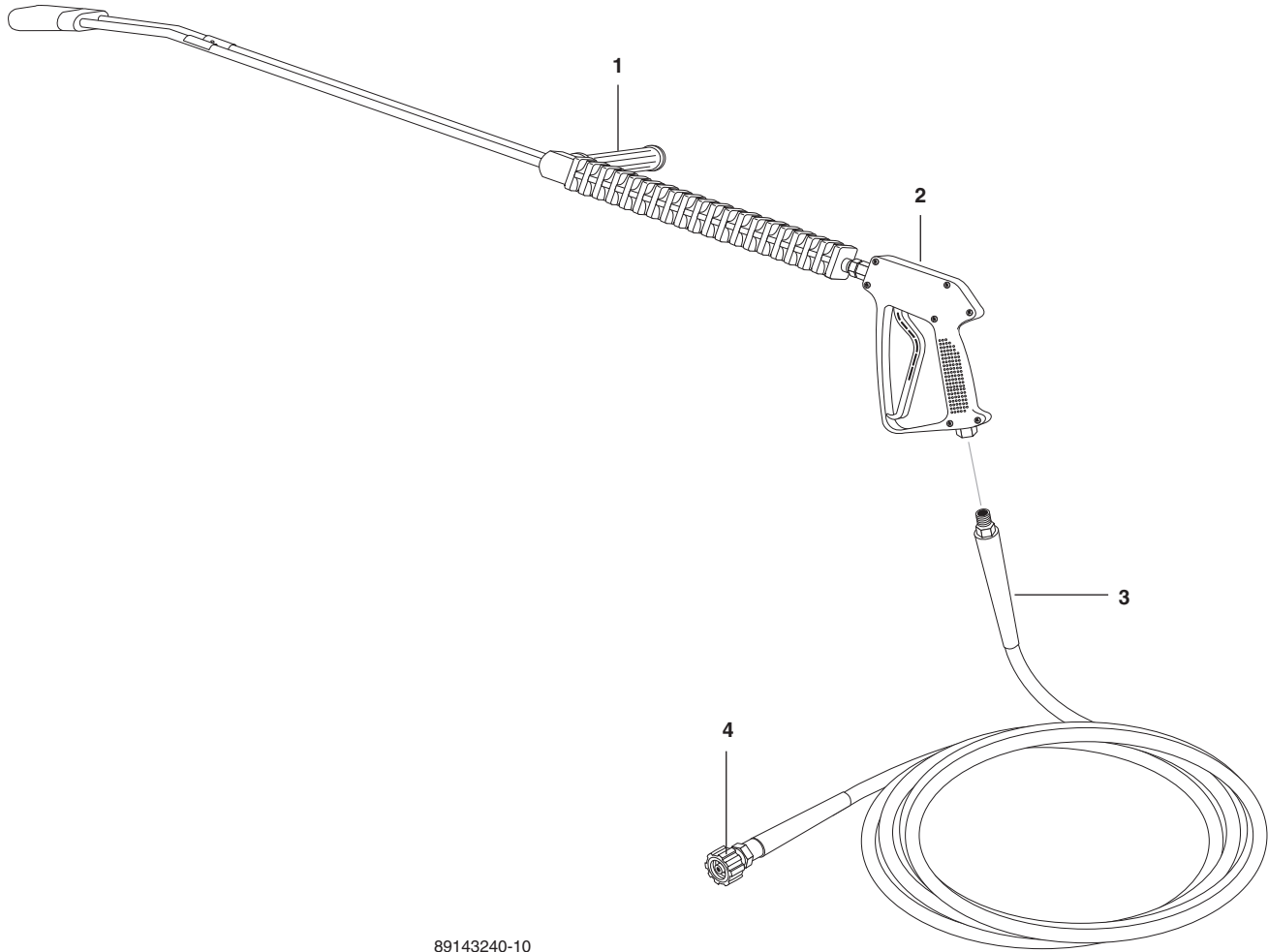
Crankcase Oil Capacity, 14 oz.

Torque Specs

Position	Ft./Lbs.	N-M
2	14.7	20
10	73.7	100
12	7.3	10
26	7.3	10
28	14.7	20
35	11.0	15
45	29.4	40
46	29.4	40
83	14.7	20
88	7.3	10

KIT NO.	123	124	159	160	162	164	166
ITEM NO'S INCLUDED IN KIT	4, 5, 6, 7, 8, (11)	9, 10	17	42, 44	40	43	40, 41, 42, 43, 44
NO. OF ASSEMBLIES	6	6	3	3	3	3	1
NO. OF CYLINDERS KIT WILL SERVICE	3	3	3	3	3	3	1

HOSE AND SPRAY GUN ASSEMBLY (8.904-453.0)
SJDDG-3011 • EXPLODED VIEW AND PARTS LIST



89143240-10

ITEM	PART NO.	DESCRIPTION	QTY	ITEM	PART NO.	DESCRIPTION	QTY
1	8.904-452.0	Wand, VP ARO, Soap Nozzle	1	3	8.916-740.0	Hose, 3/8" x 50', 1 Wire, Tuff-Skin, 3/8" MPT x 3/8" MPTS	1
	8.711-387.0	▲ Nozzle Only, 1/4" MEG 1504.5	1				
	8.711-457.0	▲ Nozzle Only, H-1/4"-U-6540, VEEJet	1				
2	8.710-384.0	Spray Gun, ST-1500, 5000 PSI, 10.4 GPM	1	4	8.707-182.0	Coupler, 3/8" Female Screw Type 7640	1