

IMPORTANT: THIS IS DATED INFORMATION. Parts must be ordered from a dealer or distributor. **Hearth and Home Technologies does not sell directly to consumers.** Provide model number and serial number when requesting service parts from your dealer or distributor.

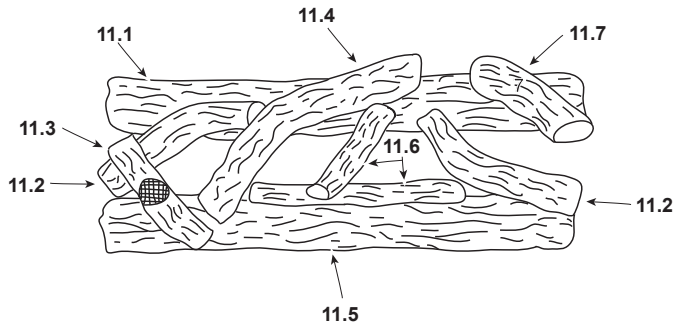


**Stocked at Depot**

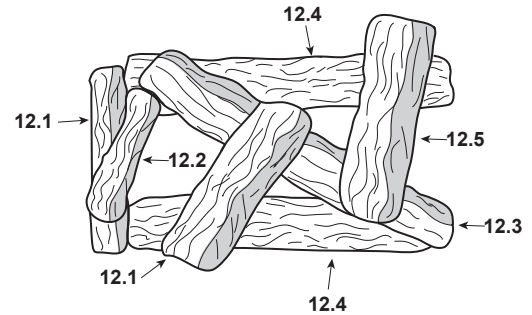
ITEM	DESCRIPTION	COMMENTS	PART NUMBER	
	Log Assemblies on following page.			
1	Face, End Upper Front - Overlay only	No longer available	17964C	
2	Glass Panel, End		SRV18811	Y
3	Ashlip, End	No longer available	22179B	
4	Face, End Lower Front - Overlay only	No longer available	17935C	
5	Ashlip, Side	No longer available	22181	
6	Grate Bars	No longer available	22178A	
7	Refractory, Back		13319	
8	Refractory, Corner	Qty 4 req	13320A	
9	Glass Panel, Side	Qty 2 req	SRV13379	Y
10	Face, Side Upper Front - Overlay only	No longer available	23384	

Additional service part numbers appear on following page.

**# 11 Log Assembly**



**# 12 Split Log Assembly**



IMPORTANT: THIS IS DATED INFORMATION. Parts must be ordered from a dealer or distributor. **Hearth and Home Technologies does not sell directly to consumers.** Provide model number and serial number when requesting service parts from your dealer or distributor.

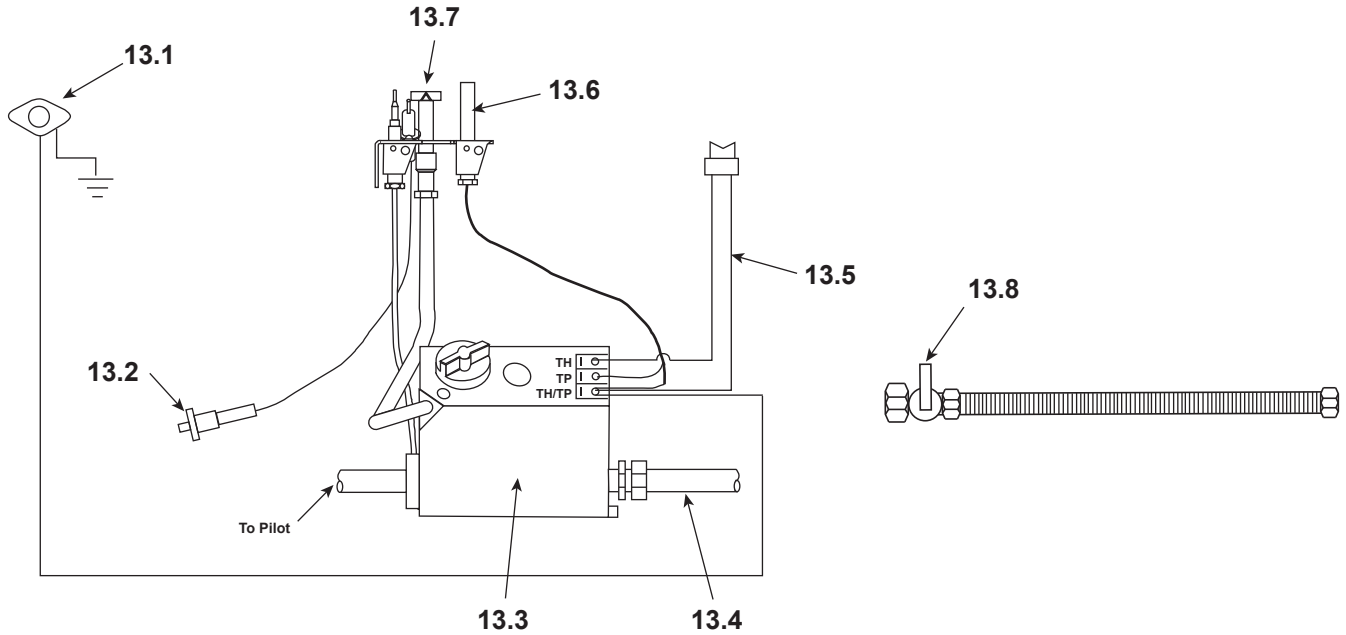


**Stocked  
at Depot**

ITEM	DESCRIPTION	COMMENTS	PART NUMBER	
	<b>Log Assembly, Split - Pre 9/94</b>	No longer available	19475	
	Log, Front	No longer available	18563C	
	Log, Top	No longer available	SRV17133	
	Log, Top Twig	No longer available	SRV17229	
	<b>Log Assembly - Pre 9/94 - 1/97</b>	No longer available	22189	
	Log, Bottom	No longer available	SRV22186	
	Log, End & Middle	No longer available	SRV21445	
	Log, Middle	No longer available	SRV21444	
	Log, Top Center	No longer available	22185A	
11	<b>Log Assembly - Post 1/97</b>	No longer available	25800	
11.1	Log #1	No longer available	25775	
11.2	Log #2	No longer available	SRV17229	
11.3	Log #3	No longer available	SRV18780	
11.4	Log #4	No longer available	24694	
11.5	Log #5	No longer available	25774	
11.6	Log #6 (Two pieces)	No longer available	18782A	
11.7	Log #7	No longer available	25569	
12	<b>Log Assembly, Split - Post 9/94</b>	No longer available	LSP920	
12.1	Log #8	No longer available	22420	
12.2	Log #9	No longer available	22544	
12.3	Log #10	No longer available	22542	
12.4	Log #11	No longer available	22543	
12.5	Log #12	No longer available	22421	

Additional service part numbers appear on following page.

**#13 Standing Pilot Ignition Wiring Diagram**



IMPORTANT: THIS IS DATED INFORMATION. Parts must be ordered from a dealer or distributor. **Hearth and Home Technologies does not sell directly to consumers.** Provide model number and serial number when requesting service parts from your dealer or distributor.



**Stocked at Depot**

ITEM	DESCRIPTION	COMMENTS	PART NUMBER	
13.1	High Limit Switch Kit		25267A	Y
13.2	Push Button Ignitor		291-513	Y
13.3	Valve R/S - NG		060-500	Y
	Valve R/S - LP		SRV25810	Y
	Valve W/R - NG		SRV71492	Y
	Valve W/R - LP	No longer available	71485	
13.4	Burner Supply Tube	No longer available	18798A	
13.5	Wall Switch Wire Assembly	No longer available	14720	
13.6	Thermopile		2103-512	Y
13.7	Pilot Assembly - with Thermopile - NG		4021-728	Y
	Pilot Assembly - with Thermopile - LP		4021-729	Y
	Orifice, Pilot (.021) - NG		SRV446-505	Y
	Orifice, Pilot (.0115) - LP		SRV446-517	Y
	Pilot Tube Kit		SRV446-301	Y
13.8	ON/OFF Valve		SRV15697	Y
	Orifice, Burner (.110) - NG		SRV17235	Y
	Orifice, Burner (.071) - LP		18678	Y

Additional service part numbers appear on following page.

IMPORTANT: THIS IS DATED INFORMATION. Parts must be ordered from a dealer or distributor. **Hearth and Home Technologies does not sell directly to consumers.** Provide model number and serial number when requesting service parts from your dealer or distributor.



Stocked  
at Depot

ITEM	DESCRIPTION	COMMENTS	PART NUMBER	
	Air Deflector	No longer available	25669	
	Ashlip Retainer	No longer available	22184B	
	Brass Connector, 90 degree - Flex	No longer available	14326A	
	Brass Connector, Male - Flex	Pkg of 5	303-315/5	Y
	Bulkhead	Depleting Stock	35403	
	Burner Pan	No longer available	18825	
	Burner Pan	No longer available	22174	
	Face, Back Lower - Overlay only	No longer available	17936D	
	Face, Gas Access Lower	No longer available	18847B	
	Flex Connector	No longer available	12303C	
	Gasket, (Attaches to unit)	No longer available	4038-900	
	Glass Frame	No longer available	25065B	
	Glass Gasket	10 Ft	28091/10	Y
	Glass Retainer	No longer available	25074A	
	Glass Retainer, End	No longer available	17953A	
	Glass Retainer, End Lower	No longer available	17944B	
	Glass Retainer, Front	No longer available	17952	
	Glass Support, End Upper	No longer available	18799C	
	Glass Support, Lower Front	No longer available	17943D	
	High Limit Switch Plate	No longer available	14391D	
	Junction Box		22130	Y
	Lava Rock		4021-296	
	Mineral Wool		SRV14333	
	Nailing Flange	Qty 4 req	31190	
	Outside Air Kit	No longer available	26869	
	Outside Air Kit Door Assembly	No longer available	18820A	
	Silicone Gasket	10 Ft	18476/10	Y
	Smoke Shield	No longer available	25668	
	Valve Bracket, W/R	No longer available	18795D	
	Valve Bracket, R/S		19303	
	Vermiculite		28746	
	Wiring Kit, Simplified		25268A	Y
	Conversion Kit NG	Not available for White Rogers	CKN	Y
	Conversion Kit LP		CKP	Y
	Installation Instructions and Owner's Manual		18824	