

# **PARTS AND OPERATION MANUAL**

## **MULTIQUIP Model GA-9.7 HZ A.C. GENERATOR**

Revision #2 (03/05/01)

Here's How To Get Help .....	3
Table Of Contents .....	4
Parts Ordering Procedures .....	5
Rules For Safe Operation .....	6
Operation and Safety Decals .....	7
Specifications .....	8
General Information .....	9

## **Multiquip GA-9.7 HZ — AC Generator**

Controls and Indicators .....	10
Installation .....	11
Pre-Setup .....	12-13
Instrumentation .....	14
Load Application .....	15
Operating Instructions .....	16
Maintenance .....	17
Preparation For Long Term Storage .....	18
Wiring Diagram .....	19
Troubleshooting (Engine) .....	20-21
Troubleshooting (Generator) .....	22-23
Explanation Of Codes In Remarks Column .....	24
Suggested Spare Parts .....	25
Generator Assembly .....	26-27
Control Box Assembly .....	28-29
Pipe Frame Assembly .....	30-31
Nameplate And Decals .....	32-33

## **Honda GX610 K1 Engine**

Cylinder Head Assembly .....	34-35
Cylinder Barrel Assembly .....	36-37
Crankcase Cover Assembly .....	38-39
Crankshaft Assembly .....	40-41
Piston Assembly .....	42-43
Camshaft Assembly .....	44-45
Recoil Starter Assembly .....	46-47
Fan Cover Assembly .....	48-49
Carburetor Assembly .....	50-51
Air Cleaner Assembly .....	52-53
Muffler Assembly .....	54-55
Fuel Pump Assembly .....	56-57
Flywheel Assembly .....	58-59
Ignition Coil Assembly .....	60-61
Starter Motor Assembly .....	62-63
Governor Control Assembly .....	64-65
Labels .....	66-67
Gasket Kit .....	68

Terms and Conditions Of Sale — Parts .....	69
--	----

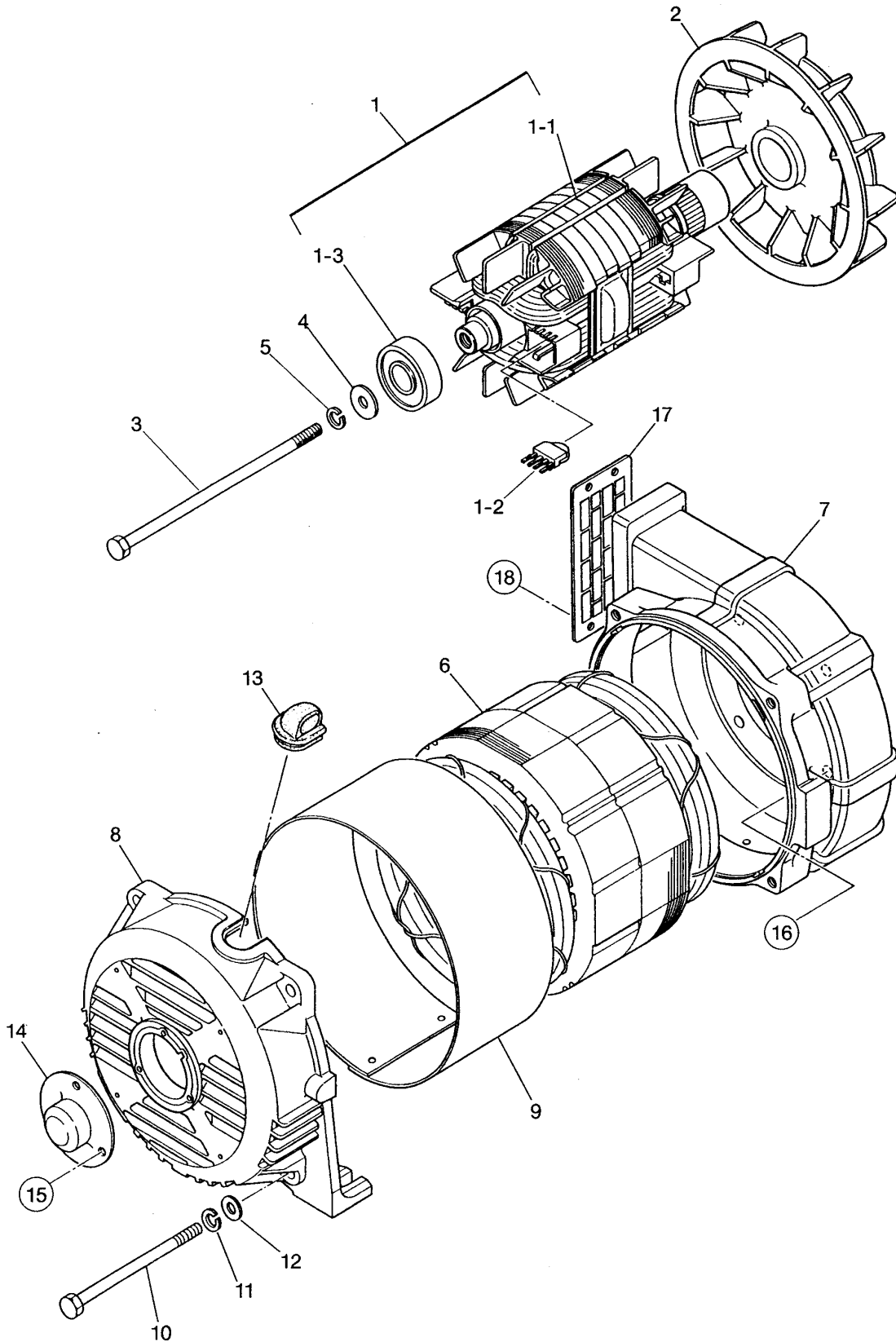
## GA-9.7 1 TO 3 UNITS WITH HONDA GX610K1VD ENGINE

### *1 to 3 Units*

Qty.	P/N	Description
4	0601823204	RECTIFIER
4	0601823754	RELAY
1	0601807459	CIRCUIT BREAKER
2	0601812529	RECEPTABLE
1	0601811032	RECEPTACLE, 250V, 20A
2	0601811031	RECEPTACLE
1	0601812597	RECEPTACLE
1	0601806425	CIRCUIT BREAKER
1	0601806036	CIRCUIT BREAKER
4	0601806424	CIRCUIT BREAKER
1	0601806423	CIRCUIT BREAKER
1	0601830771	IDLE CONTROL SWITCH
1	0601830796	OPERATION SWITCH
1	0663000010	BUTTON STARTER
2	0601802137	FUSE
2	0810105900	CAP FUEL STRAINER
1	0602125032	GAUGE FUEL
2	D9312600104	SUSPENSION RUBBER
2	7605419004A	SUSPENSION RUBBER
3	9807956846	SPARK PLUG
3	15400PR3004	CARTRIDGE FILTER, OIL
1	35480ZJ1812	SWITCH ASSY, OIL LEVEL
1	16100ZJ0892	CARBURETOR ASSY.
3	17010ZJ1000	ELEMENT SET AIR CLEANER
2	16910ZE8015	FILTER COMP FUEL

# GA-9.7 HZ — GENERATOR ASSY.

## GENERATOR ASSY.



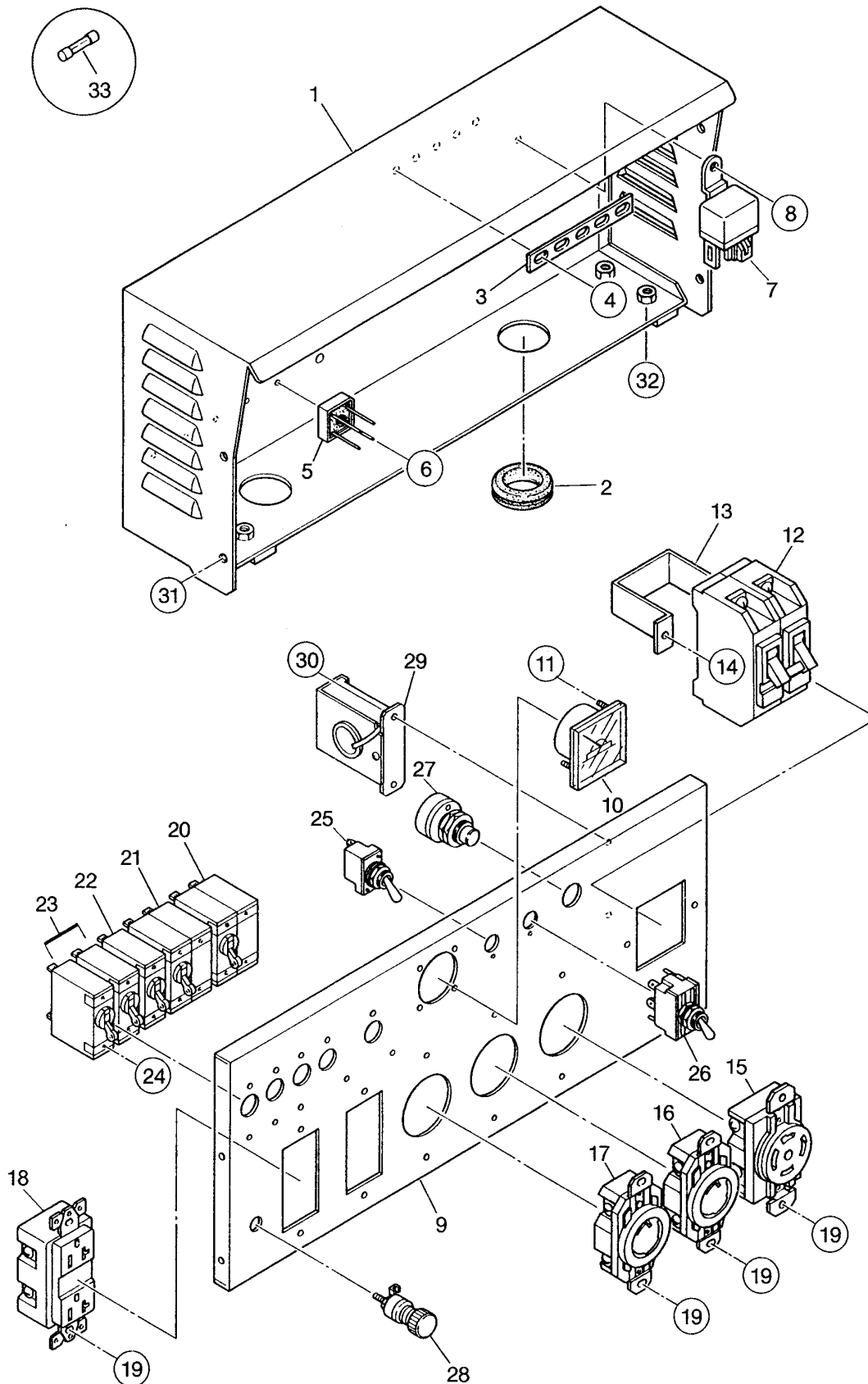
# GA-9.7 HZ — GENERATOR ASSY.

## GENERATOR ASSY.

<u>NO</u>	<u>PART NO</u>	<u>PART NAME</u>	<u>QTY.</u>	<u>REMARKS</u>
1	A6110200103	ROTOR ASSY.	1	INCLUDES ITEMS W/*
1-1*		FIELD ASSY.	1	
1-2*	7871025004	RECTIFIER	2	
1-3*	042006304	BEARING .....	1	REPLACES 0071206304
2	A6113100004	FAN	1	
3	A6113400004	SET BOLT, ROTOR	1	
4	0801086104	SET WASHER BEARING	1	
5	0040010000	SPRING WASHER	1	
6	A6136000103	ARMATURE ASSY.	1	
7	A6155100102	END BRACKET	1	
8	A6155000002	END BRACKET	1	
9	A6133300003	COVER, STATOR	1	
10	A6133500004	SET BOLT, STATOR	4	
11	0040008000	SPRING WASHER	4	
12	031108160	PLAIN WASHER .....	4	REPLACES 0041208000
13	7871329514	GROMMET	1	
14	A6155400104	COVER, BEARING	1	
15	0027105012	MACHINE SCREW	3	
16	011008020	HEX, HEAD BOLT .....	4	REPLACES 0010108020
	0040008000	SPRING WASHER	4	
17	A6155400204	COVER	1	
18	0052205008	RIVET	4	

# GA-9.7 HZ — CONTROL BOX ASSY.

CONTROL BOX ASSY.



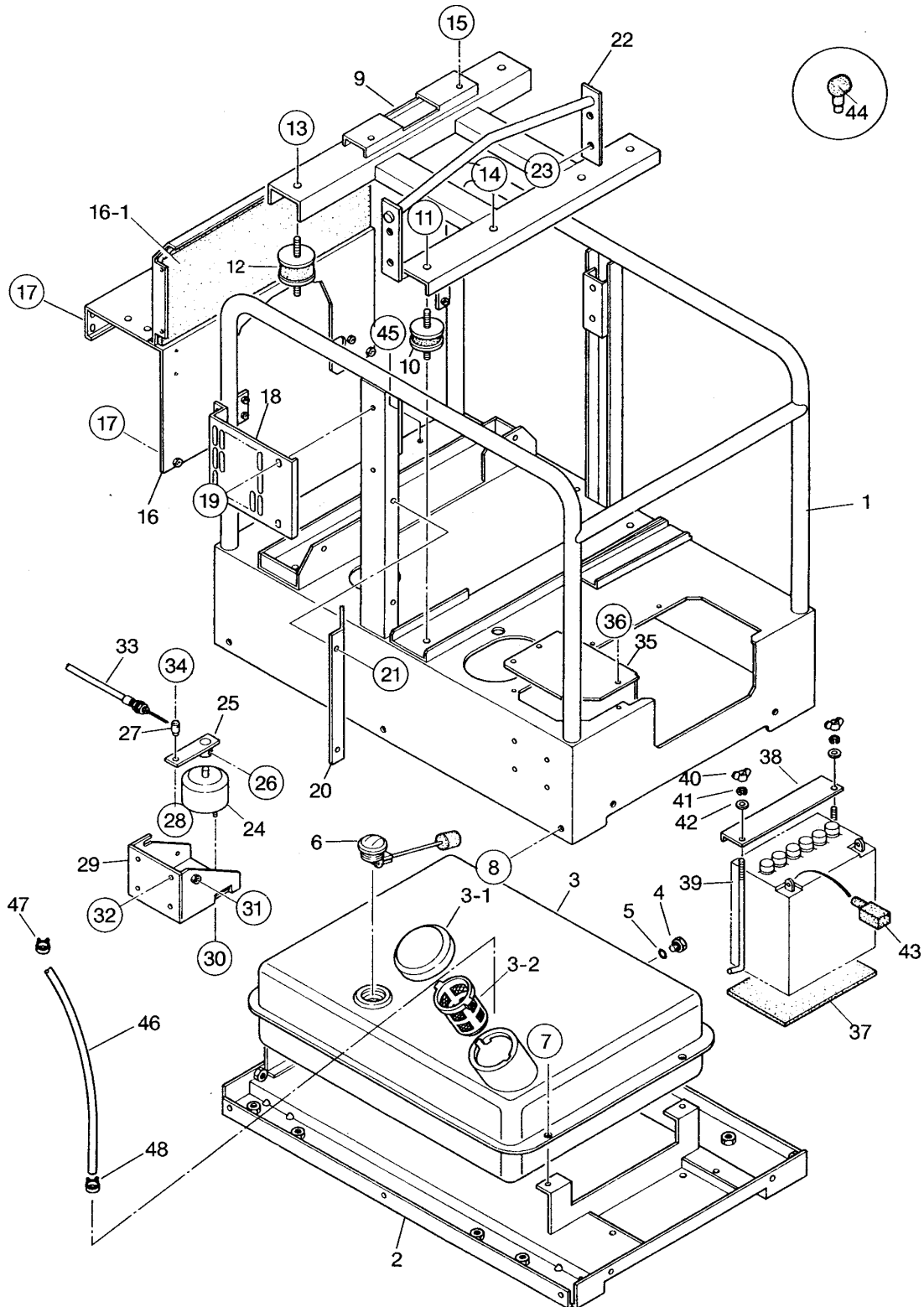
# GA-9.7 HZ — CONTROL BOX ASSY.

## CONTROL BOX ASSY.

<u>NO</u>	<u>PART NO</u>	<u>PART NAME</u>	<u>QTY.</u>	<u>REMARKS</u>
1	A6215000103	CONTROL BOX	1	
2	0601850102	GROMMET	2	G-3
3	8511864604	TERMINAL PLATE	1	
4	0016906020	HEX, HEAD BOLT	5	
5	0601823204	RECTIFIER	5	S5VB60
6	0027103020	MACHINE SCREW	5	
7	0601823754	RELAY	1	MPR-2TS DC12V
8	0027105016	MACHINE SCREW	1	
9	A6225000103	CONTROL PANEL	1	A65121 00002
10	0601800258	AC VOLTMETER	1	8283 120V/240V
11	0207003000	HEX, NUT	2	
12	0601807459	CIRCUIT BREAKER	1	KM52 2P 265V,35A
13	4341817004	BRACKET, CIRCUIT BREAK	1	
14	0027404010	MACHINE SCREW	2	
15	0601812529	RECEPTACLE	1	L14-30R 125/250V,30A,
16	0601811032	RECEPTACLE	1	L6-20R 250V,20A,
17	0601811031	RECEPTACLE .....	1 .....	L5-30R125V,30A, REPLACES 0601811035
18	0601812597	RECEPTACLE .....	2 .....	5-20R 120V,20A, REPLACES 0601812598
19	0021004010	MACHINE SCREW	10	
	0030004000	HEX. NUT .....	10 .....	REPLACES 0207004000
20	0601806425	CIRCUIT BREAKER	1	CP32E/30N AC250V,30A
21	0601806036	CIRCUIT BREAKER	1	CP32E/20N AC250V,30A
22	0601806424	CIRCUIT BREAKER	1	CP31E/30N AC250V,30A
23	0601806423	CIRCUIT BREAKER	2	CP31E/20N AC250V,20A
24	0027103005	MACHINE SCREW	10	
25	0601830771	IDLE CONTROL SWITCH	1	S-1B
26	0601830796	OPERATION SWITCH	1	ET225N12
27	0663000010	START SWITCH .....	1 .....	ST-403 REPLACES 0602100102
28	0601815109	GROUND TERMINAL	1	T-381
29	0601823853	IDLE CONTROL DEVICE	1	ND-80
30	0021004010	MACHINE SCREW	2	
31	0011305100	HEX. HEAD BOLT .....	4 .....	REPLACES 0017105012
32	0016906020	HEX. HEAD BOLT	4	
32	0601802137	FUSE	2	10A AC250V

# GA-9.7 HZ — PIPE FRAME ASSY.

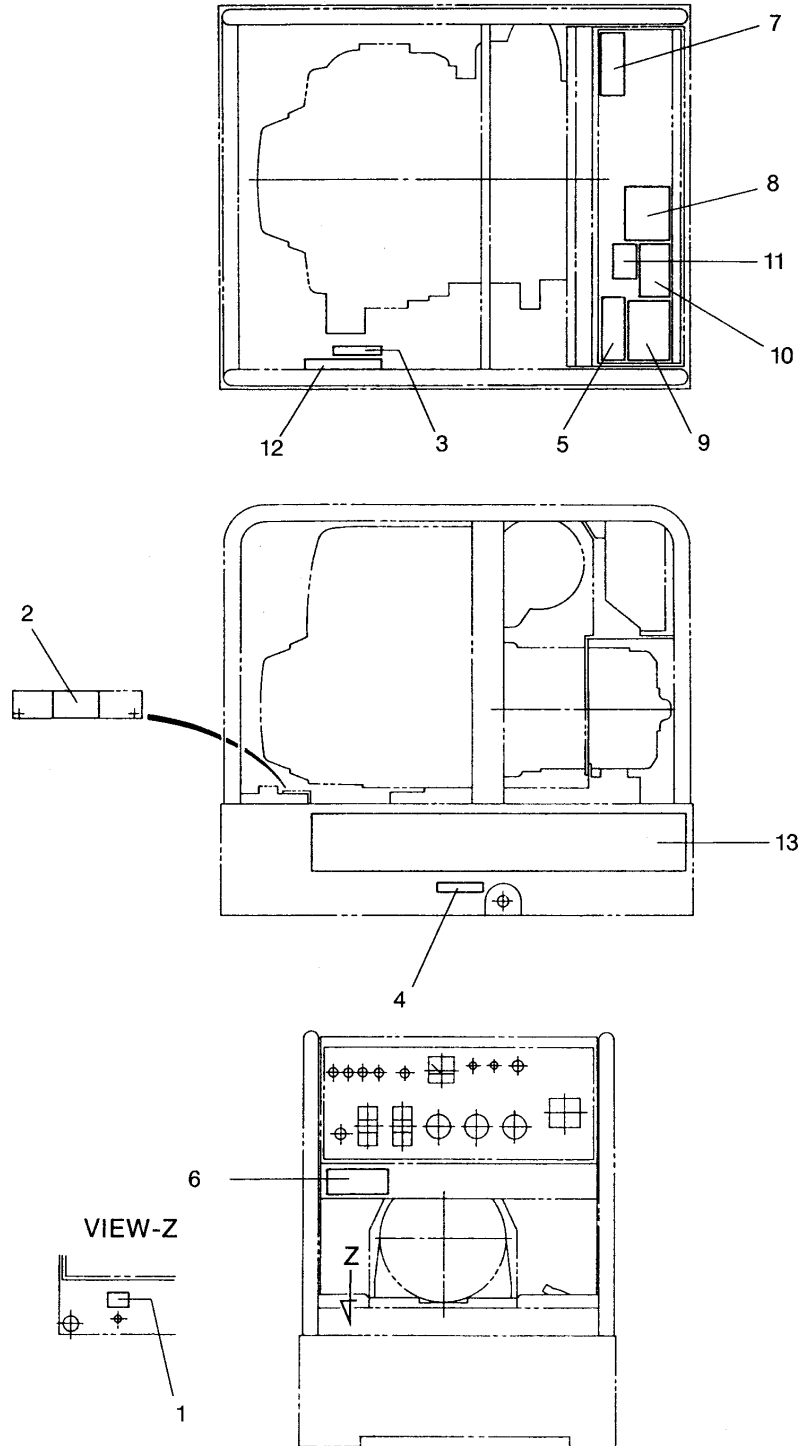
## PIPE FRAME ASSY.



## PIPE FRAME ASSY.

NO	PART NO	PART NAME	QTY.	REMARKS
1	A6418000402	PIPE FRAME	1	
2	A6415100003	FLOOR PANEL	1	
3	A6365000402	FUEL TANK	1	
3-1	0810105900	CAP, FUEL TANK .....	1	INCLUDES ITEM W/* REPLACES 0810105800
3-2*		FUEL FILTER	1	
4	3015530004	DRAIN PLUG	1	
5	0150200011	O RING	1	
6	0602125032	FUEL GAUGE	1	
7	011008020	HEX. HEAD BOLT .....	4	REPLACES 0017108020
8	011008020	HEX. HEAD BOLT .....	1	REPLACES 0017108020
9	A6418700103	BASE	1	
10	D9312600104	RUBBER SUSPENSION	2	
11	0207010000	HEX. NUT	2	
12	7605419004A	RUBBER SUSPENSION .....	2	REPLACES 7605419004
13	0207010000	HEX. NUT	2	
14	0010110045	HEX. HEAD BOLT	2	
	0207010000	HEX. NUT	2	
15	0012308030	HEX. HEAD BOLT	2	
16	A6425400303	BRACKET	1	
16-1	A6498200004	LINING	1	
17	0017106016	HEX, HEAD BOLT	8	
18	A6332300204	COVER	1	
19	0017106016	HEX. HEAD BOLT	4	
20	A6418400304	AIR GUIDE	1	
21	0017106016	HEX. HEAD BOLT	2	
22	A6435300003	HANGER	1	
23	0017110025	HEX. HEAD BOLT	4	
24	1622636103Z	ROTARY SOLENOID .....	1	REPLACES 1620150404
25	1992636004	ARM, SOLENOID	1	
26	011606025	HEX. HEAD BOLT .....	1	REPLACES 0010106025
	020106050	HEX. NUT .....	1	REPLACES 0030006000
27	A6356600404	WIRE STOPPER	1	
28	0017105010	HEX. HEAD BOLT	1	
29	A6359200503	BRACKET, SOLENOID	1	
30	0207006000	HEX. NUT	2	
31	0010106040	HEX. HEAD BOLT	1	
	020106050	HEX. NUT .....	1	REPLACES 0038706000
32	0017106016	HEX. HEAD BOLT	4	
33	A6356400303	THROTTLE WIRE	1	
34	0021005010	MACHINE SCREW	1	
35	A6356600304	COVER, SOLENOID	1	
36	0017106016	HEX. HEAD BOLT	4	
37	A6345200204	BATTERY SHEET	1	
38	D1343200204	BATTERY BAND	1	
39	0805082704	BATTERY BOLT	2	
40	0037806000	WING NUT	2	
41	0040006000	SPRING WASH	2	
42	952404470	PLAIN WASHER .....	2	REPLACES 0041206000
43	0602220600	TERMINAL CAP (RED)	1	
	0602220601	TERMINAL CAP (BLK)	1	
44	D1343200604	TERMINAL CAP	1	
45	0019206016	HEX. HEAD BOLT	1	
46	0605513143	HOSE	1	
47	0605515240	HOSE BAND	1	
48	0605515093	HOSE BAND	1	

## NAMEPLATE ASSY.



## GA-9.7 HZ — NAMEPLATE ASSY.

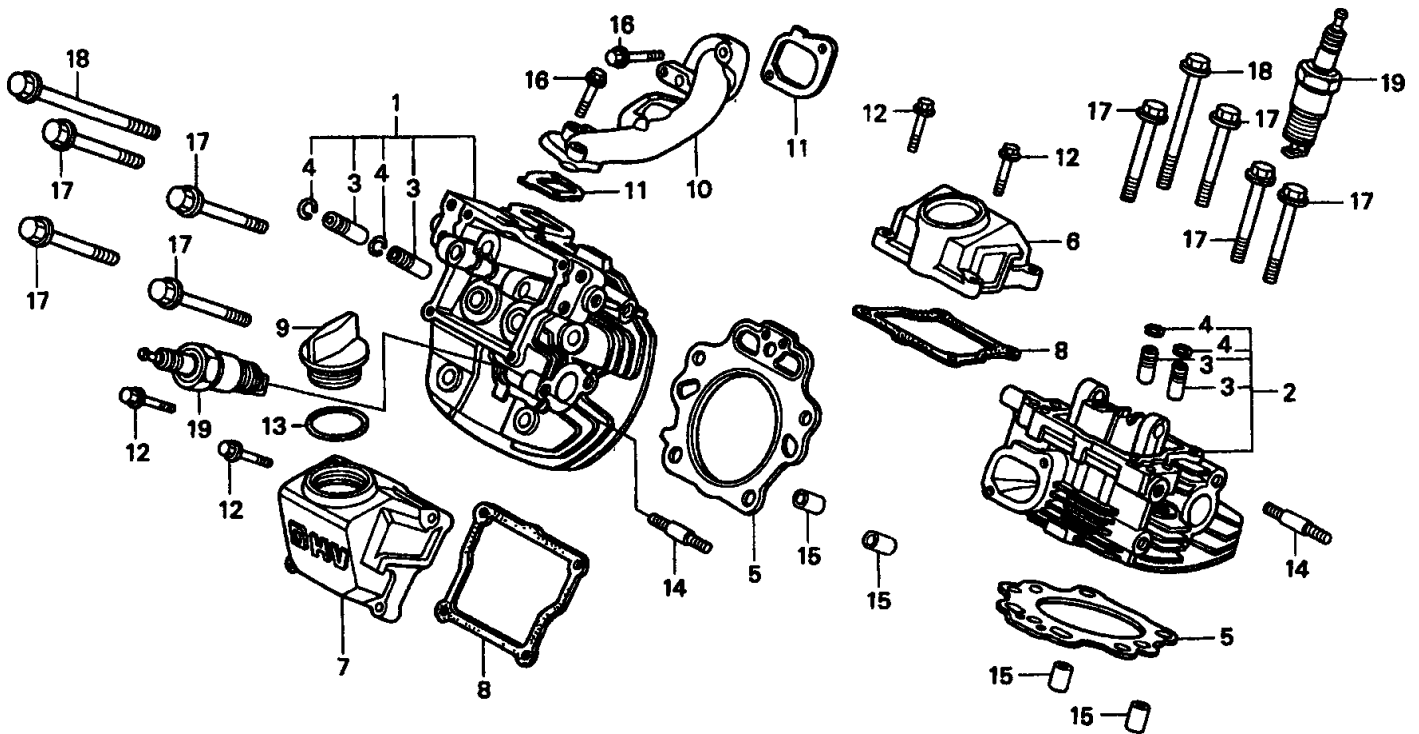
### NAMEPLATE ASSY.

<u>NO</u>	<u>PART NO</u>	<u>PART NAME</u>	<u>QTY.</u>	<u>REMARKS</u>
		NAME PLATE		ORDER FROM MULTIQUIP SERVICE DEPT. BY MODEL & SERIAL NUMBER
1	0800628504	DECAL; GROUND	1	S-1123
2	0800696604	DECAL; BATTERY	1	
3	1630645004	DECAL; OIL DRAIN	1	S-1403
4	7810680104	DECAL; FUEL DRAIN	1	S-3060
5	8700611804	DECAL; WARNING DANGEROUS	1	S-4984
6	8700611904	DECAL; DANGER ELECTRICAL	1	S-4985
7	B9504000304	DECAL; CAUTION HOT PARTS	1	B90400030
8	D2552000404	DECAL; OPERATING INSTRUCTIONS	1	D25200040B
9	0820610804	DECAL; CAUTION! .....	1	REPLACES 0820610304
10	0820610404	DECAL; WARNING!	1	
11	7900636004	DECAL; 3600RPM ONLY	1	
12	8700611524	DECAL; CAUTION OIL LEVEL GAUGE	1	
13	A6562100003	DECAL; MQ MULTIQUIP 9700	2	

SEE PAGE 7 FOR DECAL ILLUSTRATIONS.

# HONDA GX610K1 ENGINE — CYLINDER HEAD ASSY.

CYLINDER HEAD ASSY.



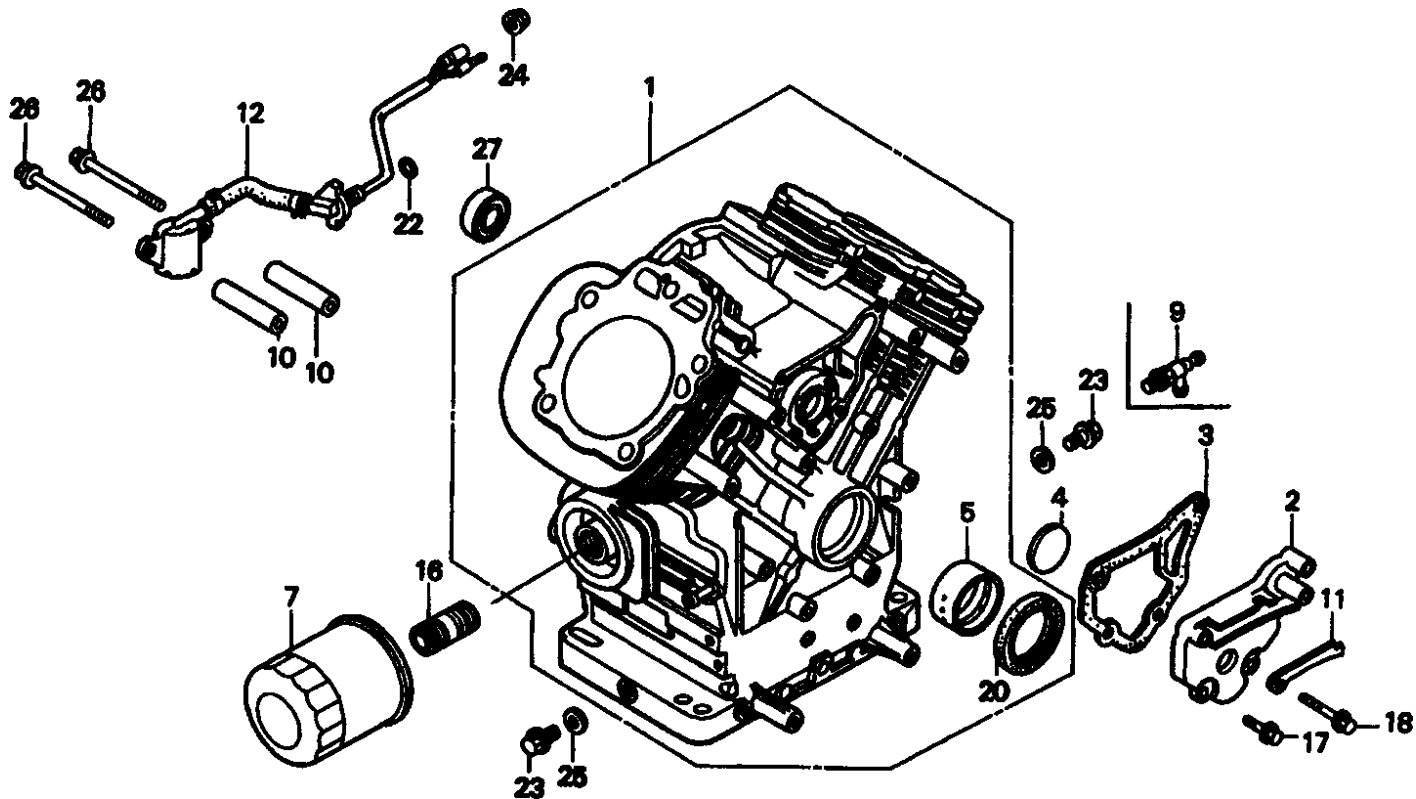
# HONDA GX610K1 ENGINE — CYLINDER HEAD ASSY.

## CYLINDER HEAD ASSY.

<u>NO</u>	<u>PART NO</u>	<u>PART NAME</u>	<u>QTY.</u>	<u>REMARKS</u>
1	12210ZJ1000	CYLINDER HEAD COMP., R. ....	1	INCLUDES ITEMS W/*
2	12220ZJ1U80	CYLINDER HEAD COMP., L. ....	1	INCLUDES ITEMS W/*
3*	12205ZE2305	GUIDE, EX. VALVE (OS)	4	
4*	12216ZE2300	CLIP, VALVE GUIDE	4	
5	12251ZJ1003	GASKET, CYLINDER HEAD	2	
6	12311ZJ1000	COVER, HEAD	1	
7	12314ZJ1000	COVER, HEAD FILLER	1	
8	12391ZJ1000	GASKET, HEAD COVER	2	
9	15611921000	CAP, OIL	1	
10	17101ZJ1000	MANIFOLD, IN.	1	
11	17151ZJ1003	GASKET, IN. MANIFOLD	2	
12	90121ZJ1000	BOLT, FLANGE (6X25) (CT200)	8	
13	91301805000	O-RING (26X2.7)	1	
14	92900080250B	BOLT, STUD (8X25)	4	
15	9430112200	PIN A, DOWEL (12X20)	4	
16	957010603200	BOLT, FLANGE (6X32)	4	
17	957011007500	BOLT, FLANGE (10X75)	8	
18	957011013000	BOLT, FLANGE (10X130)	2	
19	9807956846	SPARK PLUG (BPR6ES) (NGK)	2	

# HONDA GX610K1 ENGINE — CYLINDER BARREL ASSY.

CYLINDER BARREL ASSY.



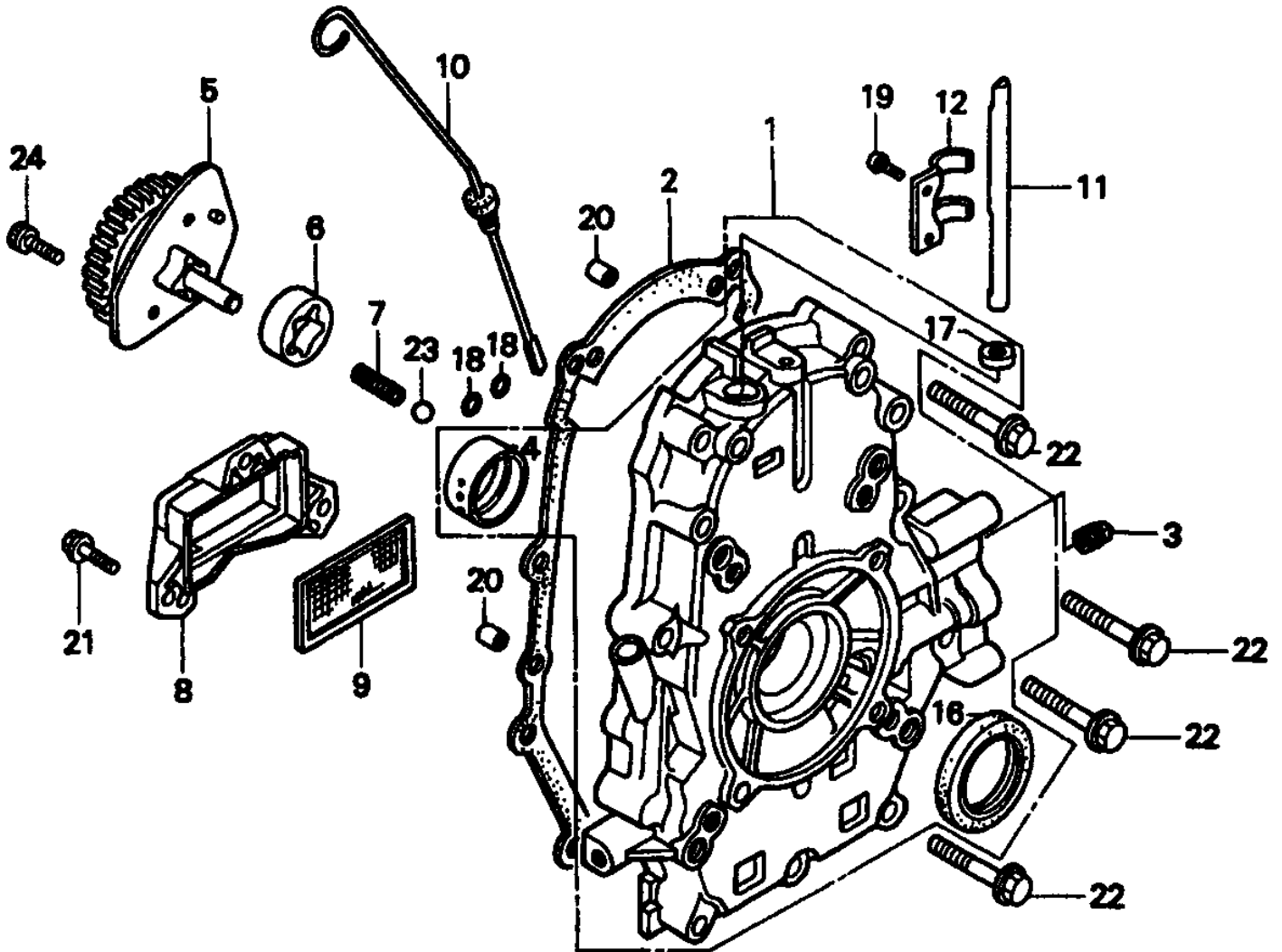
# HONDA GX610K1 ENGINE — CYLINDER BARREL ASSY.

## CYLINDER BARREL ASSY.

<u>NO</u>	<u>PART NO</u>	<u>PART NAME</u>	<u>QTY.</u>	<u>REMARKS</u>
1	12000ZJ1810	CYLINDER BARREL ASSY. ....	1	INCLUDES ITEMS W/*
2	12356ZJ1000	COVER, BREATHER	1	
3	12358ZJ1000	GASKET, BREATHER COVER	1	
4	12372ZE2300	VALVE, BREATHER	1	
5*	13321ZJ1000	BEARING A, MAIN (BLUE)	1	
	13322ZJ1000	BEARING B, MAIN (BLACK)	1	
	13323ZJ1000	BEARING C, MAIN (BROWN)	1	
7	15400PR3004	FILTER, OIL	1	
10	25523VD6010	COLLAR, FILTER SETTING	2	
11	31511ZJ1000	CLAMP, WIRE	1	
12	35480ZJ1812	SWITCH ASSY., OIL LEVEL	1	
15	90014ZE6000	BOLT, FLANGE (6X35)	3	
16	90018PN3000	HOLDER, OIL FILTER	1	
17	90029888000	BOLT, FLANGE (6X16)	2	
18	90031ZE1000	BOLT, FLANGE (6X32)	2	
20*	91201ZJ1003	OIL SEAL (38X58X11)	1	
22	91353671004	O-RING (14MM)	1	
23	9280014000	BOLT, DRAIN PLUG (14MM)	2	
24	9405010000	NUT, FLANGE (10MM)	1	
25	9410914000	WASHER, DRAIN PLUG (14MM)	2	
26	957010607509	BOLT, FLANGE (6X75)	2	
27	961406003010	BEARING, RADIAL BALL (6003)	1	

# HONDA GX610K1 ENGINE — CRANKCASE COVER ASSY.

CRANKCASE COVER ASSY.



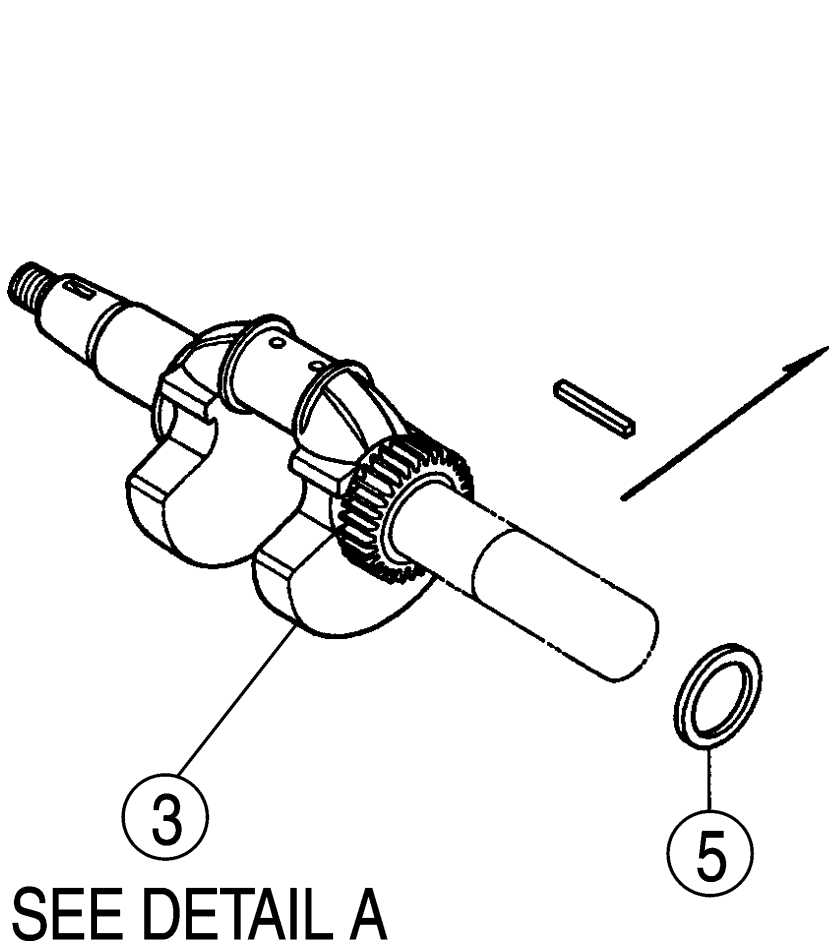
# HONDA GX610K1 ENGINE — CRANKCASE COVER ASSY.

## CRANKCASE COVER ASSY.

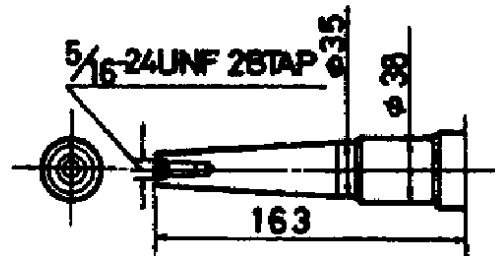
<u>NO</u>	<u>PART NO</u>	<u>PART NAME</u>	<u>QTY.</u>	<u>REMARKS</u>
1	11300ZJ1000	COVER ASSY., CRANKCASE	1	
2	11381ZJ1000	GASKET, CASE COVER	1	
3	12105ZAO701	BOLT, SEALING	1	
4	13321ZJ1000	BEARING A, MAIN (BLUE)	1	
	13322ZJ1000	BEARING B, MAIN (BLACK)	1	
	13323ZJ1000	BEARING C, MAIN (BROWN)	1	
5	15120ZJ1000	COVER ASSY., OIL PUMP	1	
6	15124ZJ1003	ROTOR, OIL PUMP (OUTER)	1	
7	15232ZJ1000	SPRING, RELIEF VALVE	1	
8	15348ZJ1000	COVER, OIL FILTER	1	
9	15427ZJ1000	SCREEN, OIL FILTER	1	
10	15655ZJ1000	DIPSTICK, OIL	1	
11	16541ZJ1000	SHAFT, GOVERNOR ARM	1	
12	16542ZJ1000	FORK, GOVERNOR	1	
16	91201ZJ1003	OIL SEAL (38X58X11)	1	
17	91259NM0000	OIL SEAL (10X16X4.5).....	1	..... REPLACES 91206333003
18	91302MB6830	O-RING (13X3.0)	2	
19	93500050100A	SCREW, PAN (5X10)	2	
20	9430108140	PIN A, DOWEL (8X14)	2	
21	957010602000	BOLT, FLANGE (6X20)	3	
22	957010805000	BOLT, FLANGE (8X50)	9	
23	9621112000	BALL, STEEL (#12) (3/8)	1	
24	966000601600	BOLT, SOCKET (6X16)	2	

# HONDA GX610K1 ENGINE — CRANKSHAFT ASSY.

CRANKSHAFT ASSY.



## DETAIL -A-



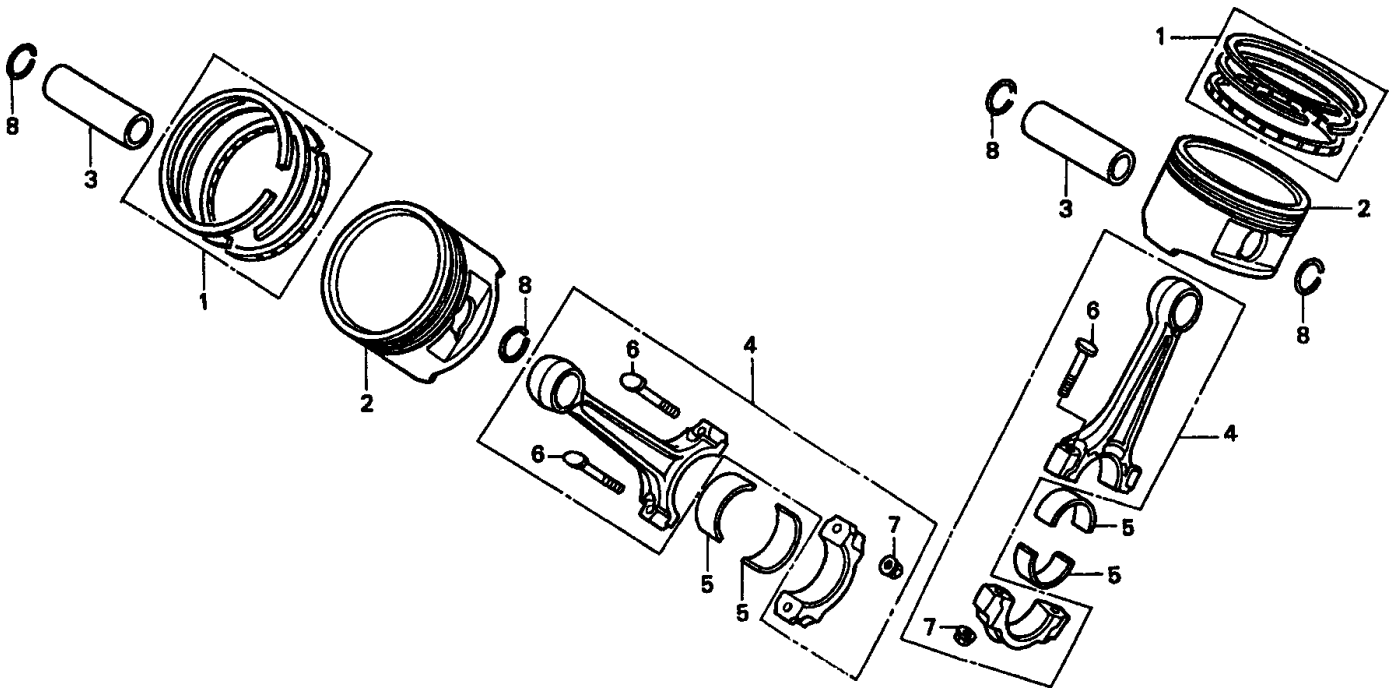
# HONDA GX610K1 ENGINE — CRANKSHAFT ASSY.

## CRANKSHAFT ASSY.

<u>NO</u>	<u>PART NO</u>	<u>PART NAME</u>	<u>QTY.</u>	<u>REMARKS</u>
3	13310ZJ0880	CRANKSHAFT COMP.	1	
5	90401ZJ1000	WASHER, CRANKSHAFT THRUST	1	

# HONDA GX610K1 ENGINE — PISTON ASSY.

PISTON ASSY.



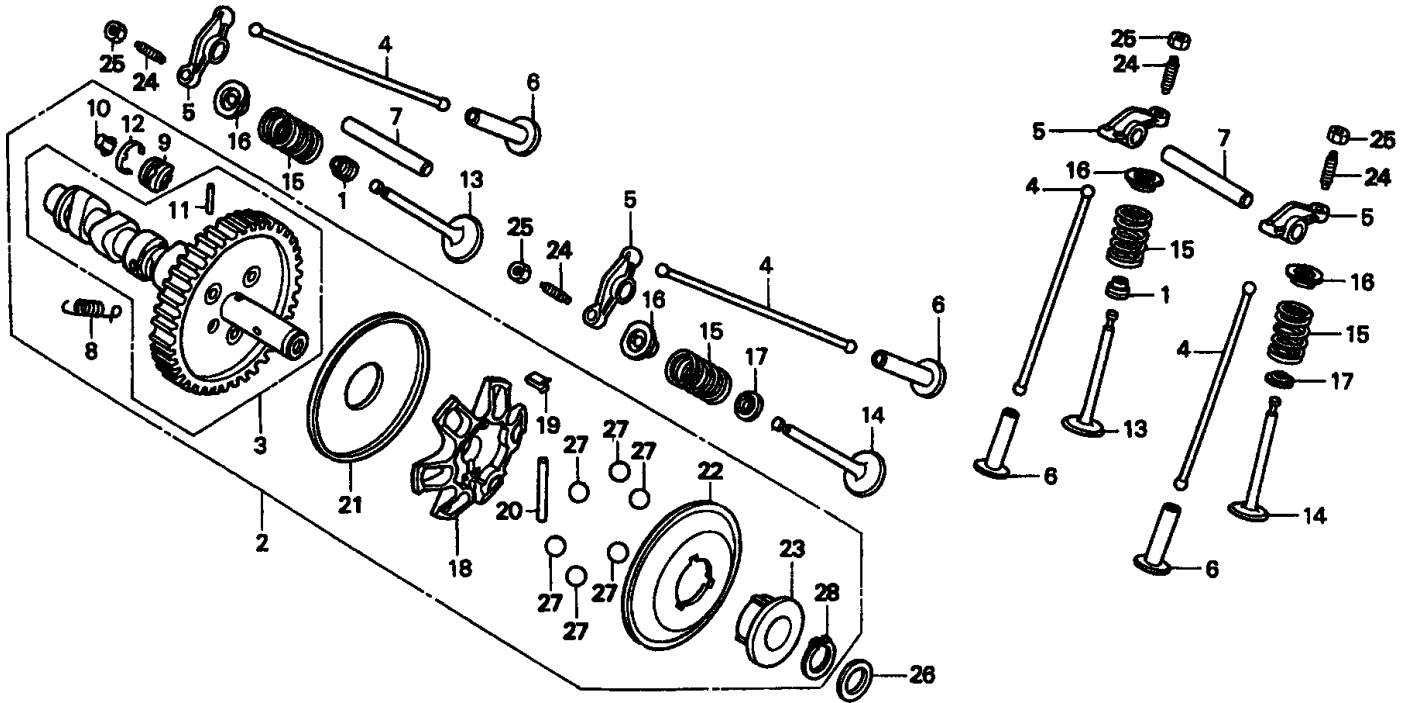
# HONDA GX610K1 ENGINE — PISTON ASSY.

## PISTON ASSY.

<u>NO</u>	<u>PART NO</u>	<u>PART NAME</u>	<u>QTY.</u>	<u>REMARKS</u>
1	13010ZE8601	RING SET, PISTON (STD)	2	
	13011ZE8601	RING SET, PISTON (0.25)	2	
	13012ZE8601	RING SET, PISTON (0.50)	2	
	13013ZE8601	RING SET, PISTON (0.75)	2	
2	13101ZJ1000	PISTON	2	
	13102ZJ1000	PISTON (0.25)	2	
	13103ZJ1000	PISTON (0.50)	2	
	13104ZJ1000	PISTON (0.75)	2	
3	13111ZJ1000	PIN, PISTON	2	
4	13210ZJ1000	ROD SET, CONNECTING .....	2	INCLUDES ITEM W/★
5	13211ZJ1003	BEARING A, CONNECTING ROD (BLUE)	4	
	13212ZJ1003	BEARING B, CONNECTING ROD (BLACK)	4	
	13213ZJ1003	BEARING C, CONNECTING ROD (BROWN)	4	
	13214ZJ1003	BEARING D, CONNECTING ROD (GREEN)	4	
	13215ZJ1003	BEARING E, CONNECTING ROD	4	
	13216ZJ1003	BEARING F CONNECTING ROD	4	
	13217ZJ1003	BEARING G CONNECTING ROD	4	
6★	13213ML0000	BOLT, CONNECTING ROD	4	
7★	13215KM3000	NUT, CONNECTING ROD	4	
8	9460118000	CLIP, PISTON PIN (18MM)	4	

# HONDA GX610K1 ENGINE — CAMSHAFT ASSY.

CAMSHAFT ASSY.



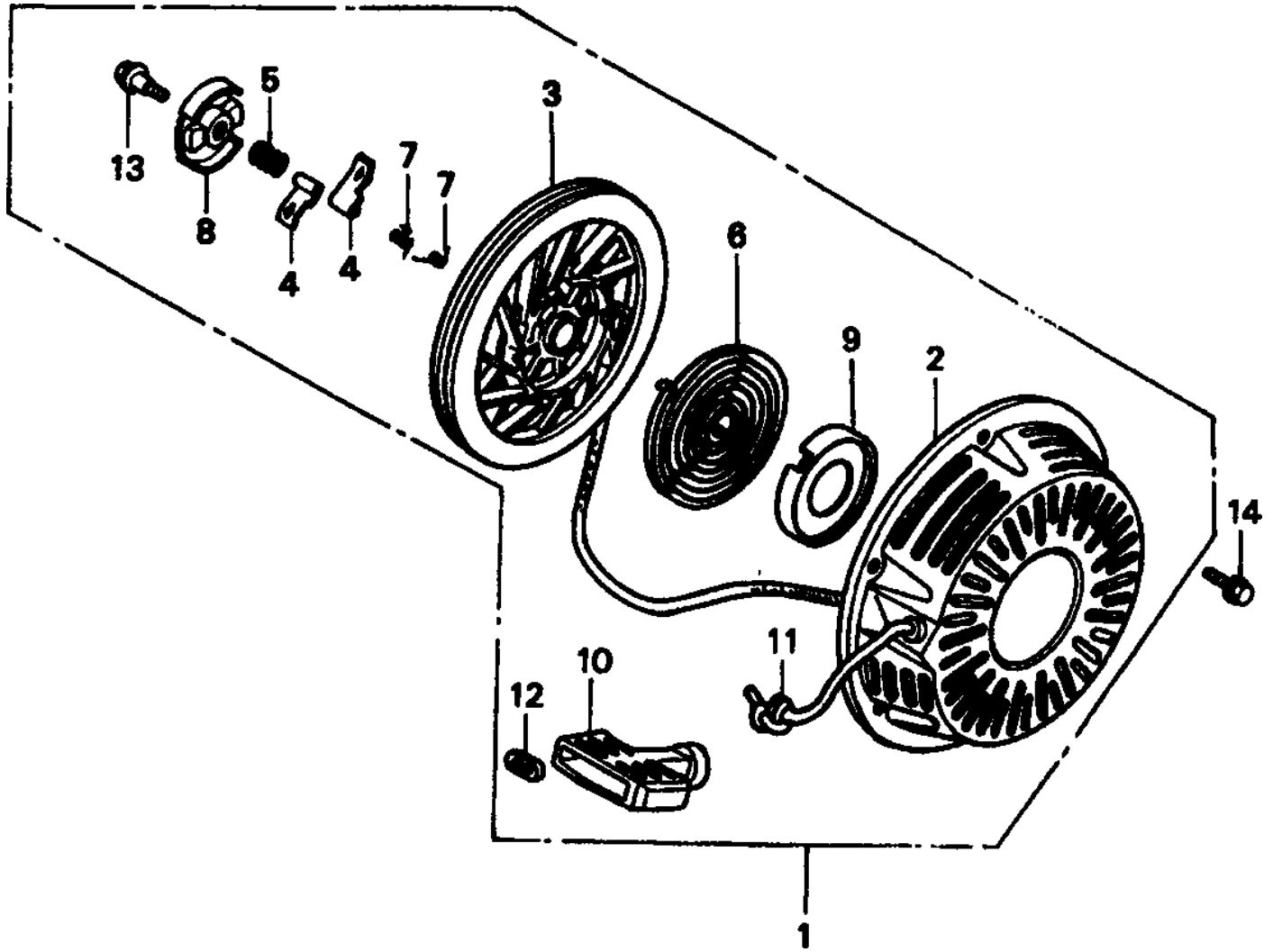
# HONDA GX610K1 ENGINE — CAMSHAFT ASSY.

## CAMSHAFT ASSY.

<u>NO</u>	<u>PART NO</u>	<u>PART NAME</u>	<u>QTY.</u>	<u>REMARKS</u>
1	12209ZE8003	SEAL, VALVE STEM	2	
2	14100ZJ1801	CAMSHAFT ASSY. ....	1	INCLUDES ITEM W/*
3*	14110ZJ1801	CAMSHAFT COMP. ....	1	INCLUDES ITEM W/#
4	14410ZJ1000	ROD, PUSH	4	
5	14431ZJ1000	ARM, VALVE ROCKER	4	
6	14441ZE2000	LIFTER, VALVE	4	
7	14461ZJ1000	SHAFT, ROCKER ARM	2	
8*	14568ZJ1800	SPRING, WEIGHT RETURN	1	
9*	14569ZJ1801	HOLDER, DECOMPRESSION PIN	2	
10*	14576ZJ1801	PIN A, DECOMPRESSION (7.85)	2	
	14577ZJ1801	PIN B, DECOMPRESSION (7.95) .....	2	REPLACES 14577ZJ1800
	14578ZJ1800	PIN C, DECOMPRESSION (8.05) .....	2	REPLACES 14578ZJ1800
	14579ZJ1800	PIN D, DECOMPRESSION (8.15)	2	
	14580ZJ1800	PIN E, DECOMPRESSION (8.25)	2	
11*#	14581ZJ1801	ROD, DECOMPRESSION	1	
12*	14586ZJ1800	SPRING, DECOMPRESSION PIN HOLDER	2	
13	14711ZJ1000	VALVE, INLET	2	
14	14721ZJ1000	VALVE, EX.	2	
15	14751ZE2003	SPRING VALVE	4	
16	14771ZE2000	RETAINER, IN. VALVE SPRING	4	
17	14775ZE2010	SEAT, VALVE SPRING	2	
18*	16512ZJ1000	HOLDER, GOVERNOR WEIGHT	1	
19*	16522ZJ1000	PLATE, GOVERNOR WEIGHT HOLDER	1	
20*	16523ZJ1000	PIN, GOVERNOR WEIGHT HOLDER	1	
21*	16524ZJ1000	PLATE, GOVERNOR (LOWER)	1	
22*	16529ZJ1000	PLATE, GOVERNOR SLIDER	1	
23*	16531ZJ1003	SLIDER, GOVERNOR	1	
24	90012415000	SCREW, TAPPET ADJ.	4	
25	90206250000	NUT, TAPPET ADJ.	4	
26	90446357000	WASHER, THRUST (17.2MM)	1	
27*	90901ZJ1003	BALL, STEEL (18)	6	
28*	9451017000	CIRCLIP (OUTER) (17MM)	1	

# HONDA GX610K1 ENGINE — RECOIL STARTER ASSY.

RECOIL STARTER ASSY.



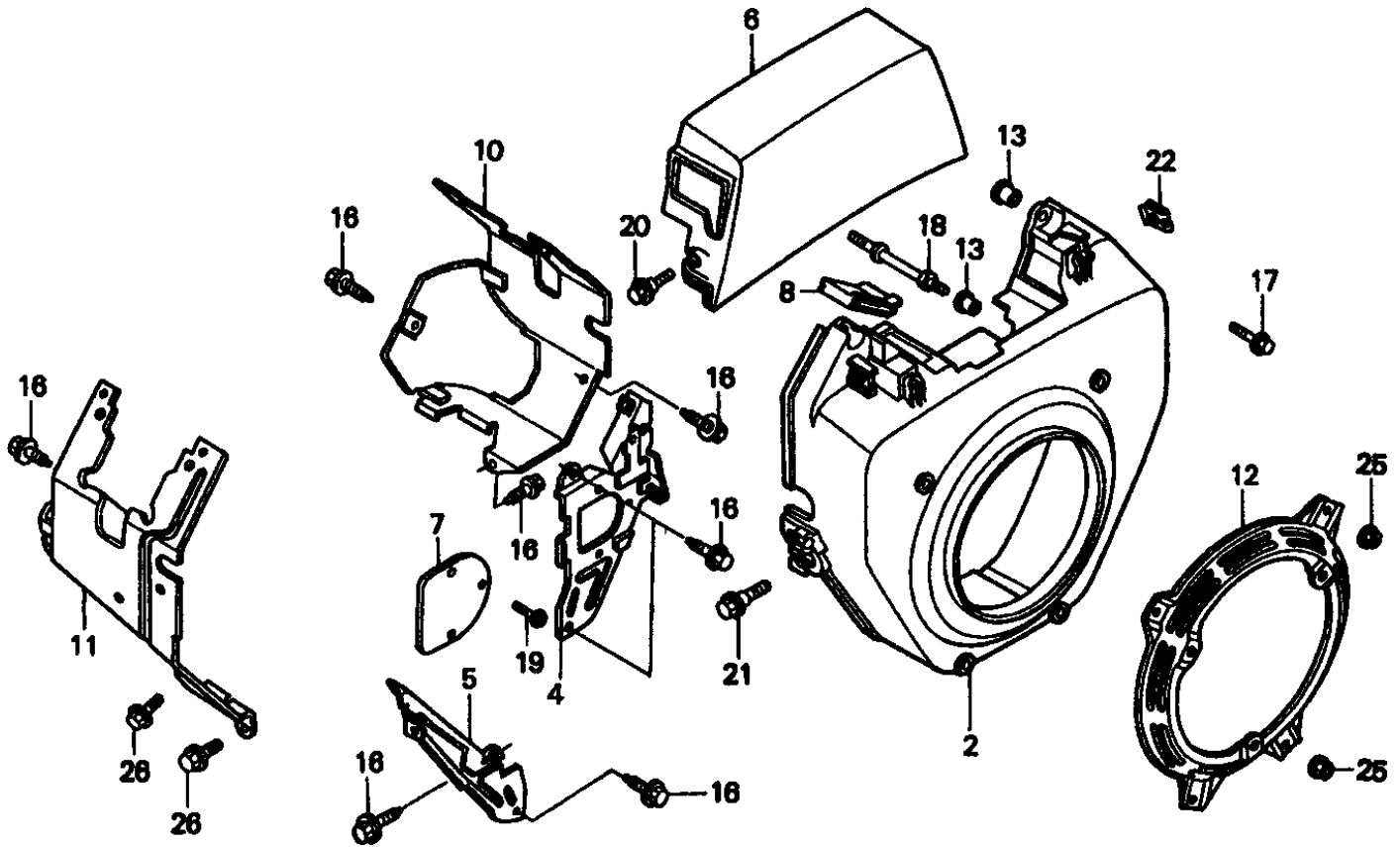
# HONDA GX610K1 ENGINE — RECOIL STARTER ASSY.

## RECOIL STARTER ASSY.

<u>NO</u>	<u>PART NO</u>	<u>PART NAME</u>	<u>QTY.</u>	<u>REMARKS</u>
1	28400ZE3W01ZA	STARTER ASSY., RECOIL R8 (BRT. RED)	1	INCLUDES ITEMS W/*
2*	28410ZE3W01ZA	CASE COMP. RECOIL STARTER R8 (BRT RED)	1	
3*	28421ZE3W01	PULLEY, RECOIL STARTER	1	
4*	28422ZE2W01	RATCHET STARTER	2	
5*	28441ZE2W01	SPRING, FRICTION	1	
6*	28442ZE2W01	SPRING, STARTER RETURN	1	
7*	28443ZE2W01	SPRING, RATCHET	2	
8*	28444ZE2W01	RETAINER, SPRING	1	
9*	28445ZE2W01	HOLDER, SPRING	1	
10*	28461ZE2W01	GRIP, STARTER	1	
11*	28462ZH8003	ROPE, RECOIL STARTER .....	1	.... REPLACES 28462ZE3W01
12*	28469ZE2W01	GRIP, REINFORCEMENT	1	
13*	90004ZE2W01	SCREW, CENTER	1	
14	957010600800	BOLT, FLANGE (6X8)	3	

# HONDA GX610K1 ENGINE — FAN COVER ASSY.

FAN COVER ASSY.



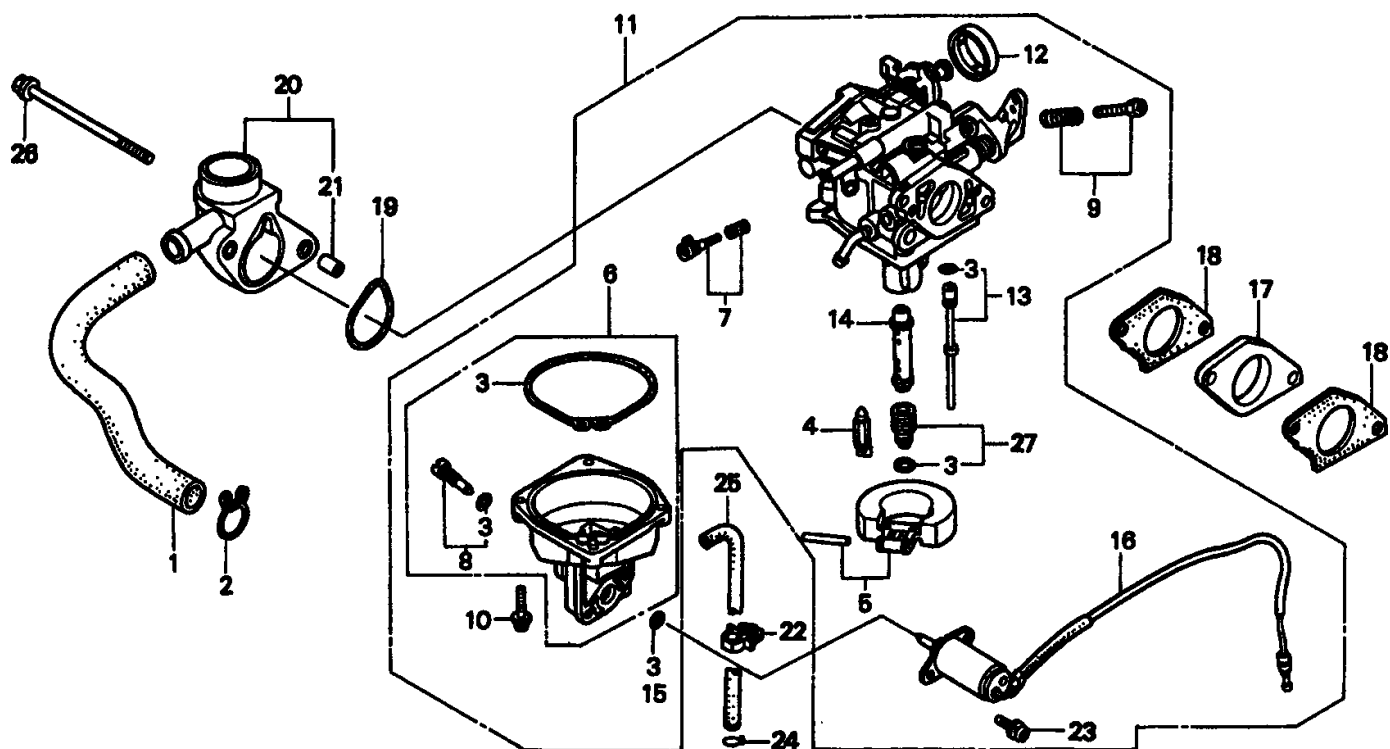
# HONDA GX610K1 ENGINE — FAN COVER ASSY.

## FAN COVER ASSY.

<u>NO</u>	<u>PART NO</u>	<u>PART NAME</u>	<u>QTY.</u>	<u>REMARKS</u>
2	19611ZJ1800ZB	COVER, FAN R8 (RECOIL STARTER)(BRT.RED)	1	
4	19612ZJ1000	PLATE, R. SIDE	1	
5	19614ZJ1000	PLATE, L. SIDE	1	
6	19615ZJ1000	HOOD FAN COVER	1	
7	19617ZJ4000	COVER, R. SIDE PLATE	1	
10	19631ZJ1000	SHROUD, R.	1	
11	19632ZJ1000	SHROUD, L.	1	
12	28405ZJ1801ZB	SPACER, RECOIL START MOUNT R8 (BRT RED))	1	
13	33713GC2000	COLLAR B,TAILLIGHT	6	
16	90013883000	BOLT, FLANGE (6X12)	8	
17	90018ZE1000	BOLT, FLANGE (6X23)	2	
18	90042ZJ1000	BOLT, STUD (6X75)	4	
19	90055ZE1000	SCREW, TAPPING (4X6)	3	
20	90104GF6000	BOLT, FLANGE (6X20)	2	
21	90113GE4000	BOLT, FLANGE (6MM) (BLACK)	2	
24	90683SD9781	CLIP (20MM)	1	
25	9405006000	NUT, FLANGE (6MM)	4	
26	957010600800	BOLT, FLANGE (6X8)	2	

# HONDA GX610K1 ENGINE — CARBURETOR ASSY.

CARBURETOR ASSY.



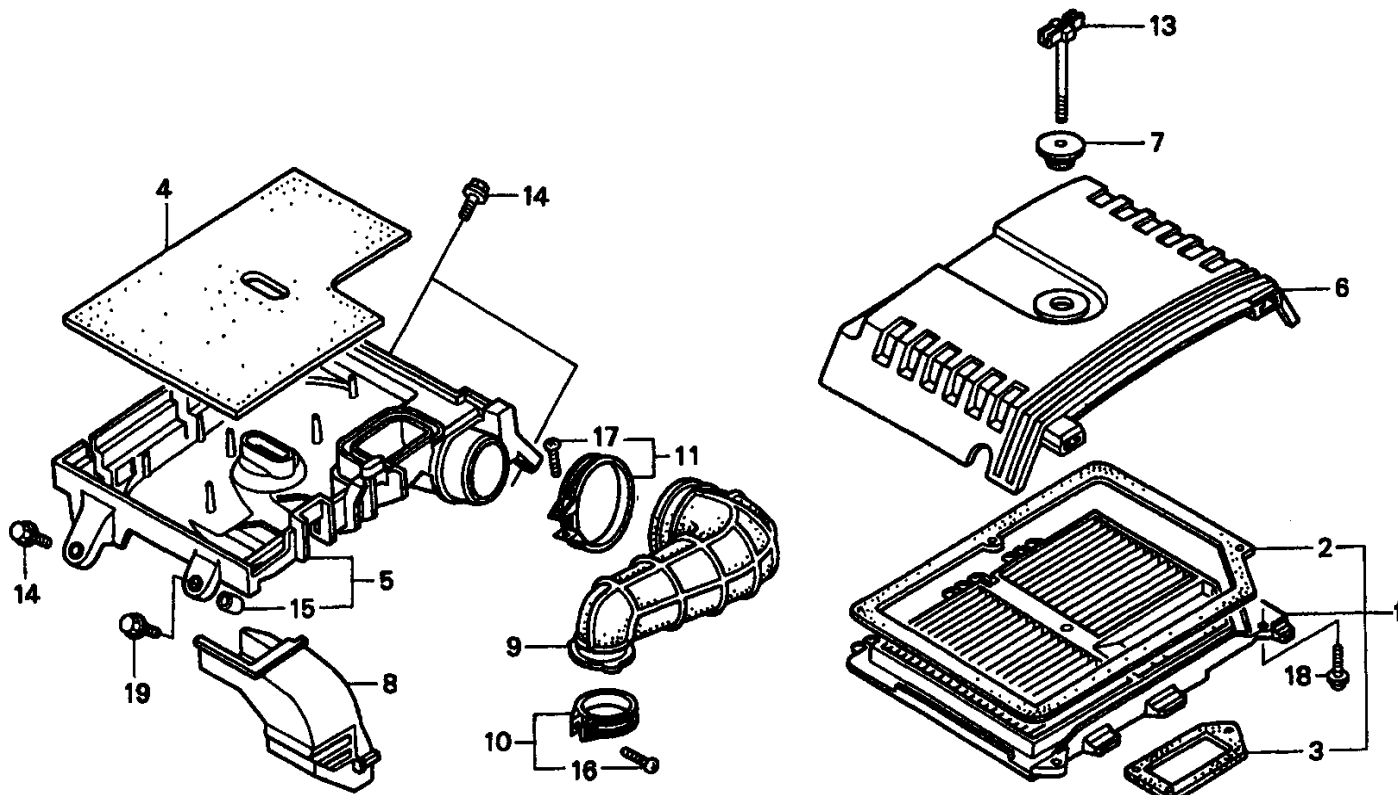
# HONDA GX610K1 ENGINE — CARBURETOR ASSY.

## CARBURETOR ASSY.

<u>NO</u>	<u>PART NO</u>	<u>PART NAME</u>	<u>QTY.</u>	<u>REMARKS</u>
1	12357ZJ1000	TUBE, BREATHER	1	
2	15772551000	CLIP, BREATHER TUBE	1	
3*#	16010ZG8000	GASKET SET	1	
4*	16011382004	VALVE SET, FLOAT .....	1	REPLACES 16011GK0891
5*	16013ZV4005	FLOAT SET	1	
6*	16015ZJ1000	CHAMBER SET, FLOAT .....	1	INCLUDES ITEMS W/#
7	16016ZJ1010	SCREW SET	1	
8*#	16024124760	SCREW SET,DRAIN	1	
9*	16028ZG8000	SCREW SET	1	
10*	16081ZV4650	SCREW-WASHER	4	
11	16100ZJ0892	CARBURETOR ASSY. (BG21E B) .....	1	INCLUDES ITEMS W/*
12*	16148141881	CAP, CHOKE LEVER DUST	1	
13*	16151ZJ0020	JET SET (#60)	1	
14*	16166ZJ1010	NOZZLE, MAIN .....	1	REPLACES 16166ZJ0000
15*	16178548004	O-RING (5.8X1.9)	1	
16*	16200ZJ1003	VALVE ASSY., SOLENOID	1	
17	16211ZJ1000	INSULATOR, CARBURETOR	1	
18	16221ZG8000	GASKET, CARBURETOR	2	
19	17228ZG8003	GASKET, AIR CLEANER	1	
20	17410ZJ1000	ELBOW COMP., AIR CLEANER .....	1	INCLUDES ITEMS W/+
21+	19024ZA0000	COLLAR, DISTANCE	2	
22	90682959661	CLIP B, CABLE	1	
23*	938920501218	SCREW-WASHER (5X12)	2	
24	9500202080	CLIP, TUBE (B8)	1	
25	950054546020	BULK HOSE, VAC (4.5X460)	1	
26	958010610508	BOLT, FLANGE (6X105)	2	
27*	99201ZG80880	JET SET, MAIN (#88)	1	
	99201ZG80820	JET SET, MAIN (#82 HIGH ALTITUDE)	1	
	99201ZG80850	JET SET, MAIN (#85 HIGH ALTITUDE)	1	

# HONDA GX610K1 ENGINE — AIR CLEANER ASSY.

AIR CLEANER ASSY.



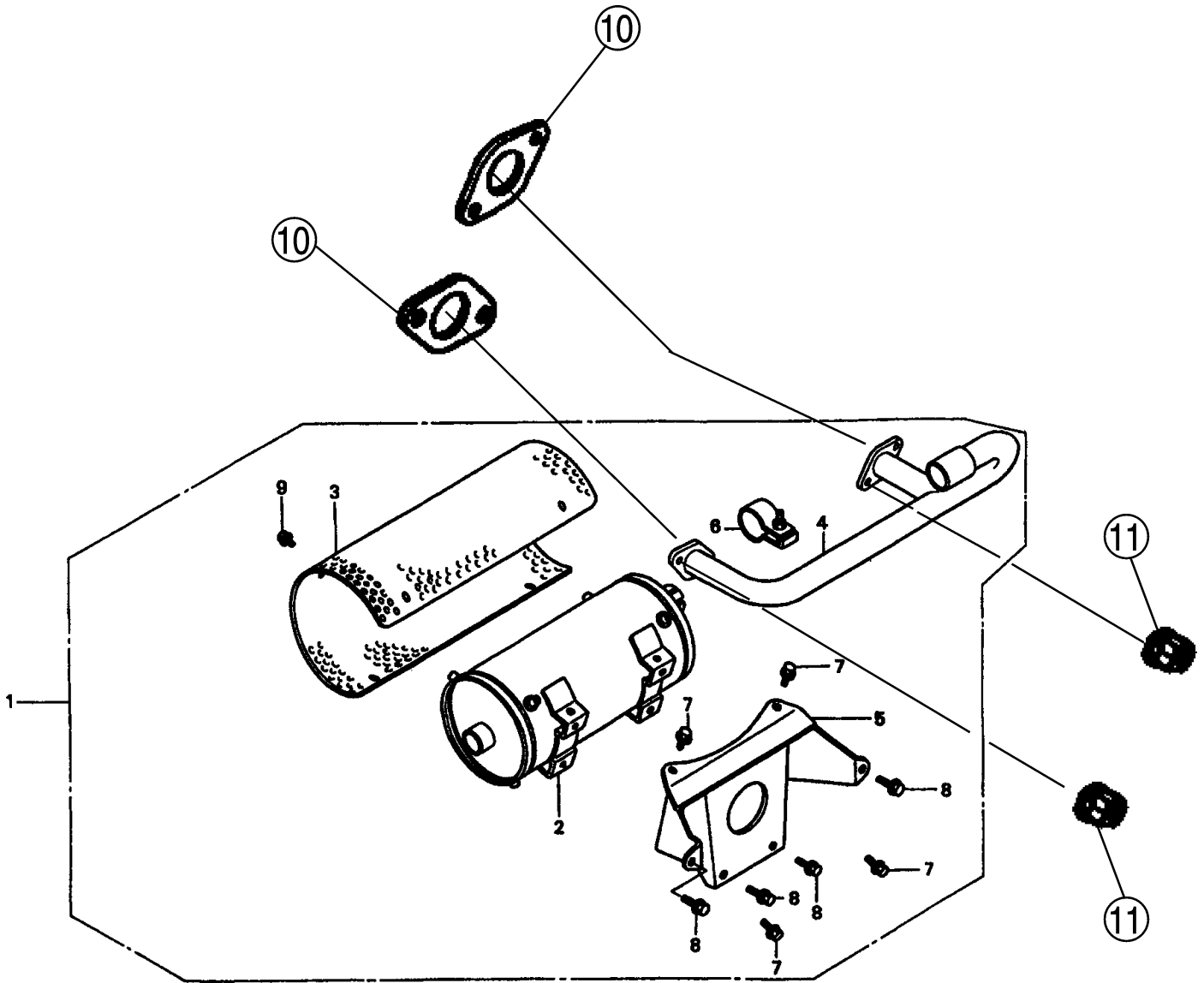
# HONDA GX610K1 ENGINE — AIR CLEANER ASSY.

## AIR CLEANER ASSY.

<b>NO</b>	<b>PART NO</b>	<b>PART NAME</b>	<b>QTY.</b>	<b>REMARKS</b>
1	17010ZJ1000	ELEMENT SET, AIR CLEANER .....	1	INCLUDES ITEMS W/*
2*	17216ZJ1000	GASKET A, ELEMENT	1	
3*	17217ZJ1000	GASKET B, ELEMENT	1	
4	17218ZJ1000	FILTER (OUTER)	1	
5	17220ZJ1000	HOUSING COMP., AIR CLEANER	1	
6	17231ZJ1000	COVER, AIR CLEANER	1	
7	17232ZJ1000	GROMMET, AIR CLEANER	1	
8	17237ZJ1000	HOSE, AIR CLEANER	1	
9	17251ZJ1000	TUBE, AIR CLEANER CONN.	1	
10	17255758000	BAND, AIR CLEANER CONN. TUBE	1	
11	17257HB3000	BAND, AIR CLEANER (B)	1	
13	90017ZJ1000	BOLT, AIR CLEANER	1	
14	90018ZE1000	BOLT, FLANGE (6X23)	3	
15	90120102000	COLLAR, AIR CLEANER HOUSING	4	
16	93500040200A	SCREW, PAN (4X20)	1	
17	93500040250G	SCREW, PAN (4X25)	1	
18	938910501608	SCREW, WASHER	2	
19	957000601800	BOLT, FLANGE (6X18) .....	1	REPLACES 957010601800

# HONDA GX610K1 ENGINE — MUFFLER ASSY.

MUFFLER ASSY.



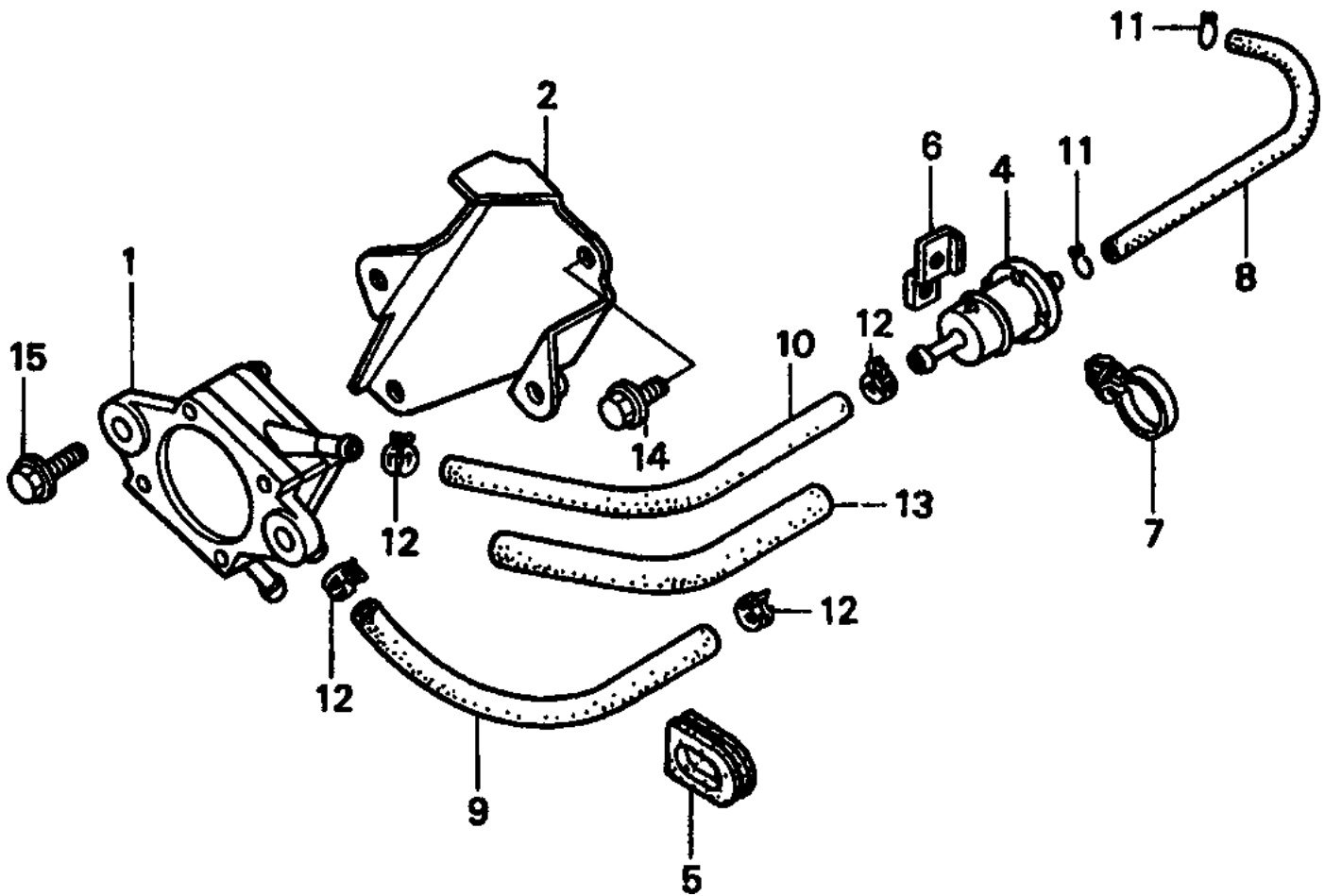
# HONDA GX610K1 ENGINE — MUFFLER ASSY.

## MUFFLER ASSY.

<u>NO</u>	<u>PART NO</u>	<u>PART NAME</u>	<u>QTY.</u>	<u>REMARKS</u>
1		MUFFLER KIT	1	NOT AVAILABLE, SEE COMPONENTS
2	18310ZJ1000	MUFFLER COMP. ....	1	18310ZJ1003
3	18321ZJ1000	PROTECTOR,MUFFLER .....	1	18321ZJ1003
4	18330ZJ1601	PIPE COMP, EX.	1	
5	18333ZJ1000	STAY, MUFFLER .....	1	18338ZJ1003
6	18396ZJ1003	BAND ASSY.	1	
7	957010600800	BOLT, FLANGE (6X8)	6	
8	957010801400	BOLT, FLANGE (8X14)	4	
9	957010802000	BOLT, FLANGE (8X20)	4	
10	18333ZJ1000	GASKET,EX,PIPE	2	
11	99405008000	NUT,FLANGE(8mm)	4	

# HONDA GX610K1 ENGINE — FUEL PUMP ASSY.

FUEL PUMP ASSY.



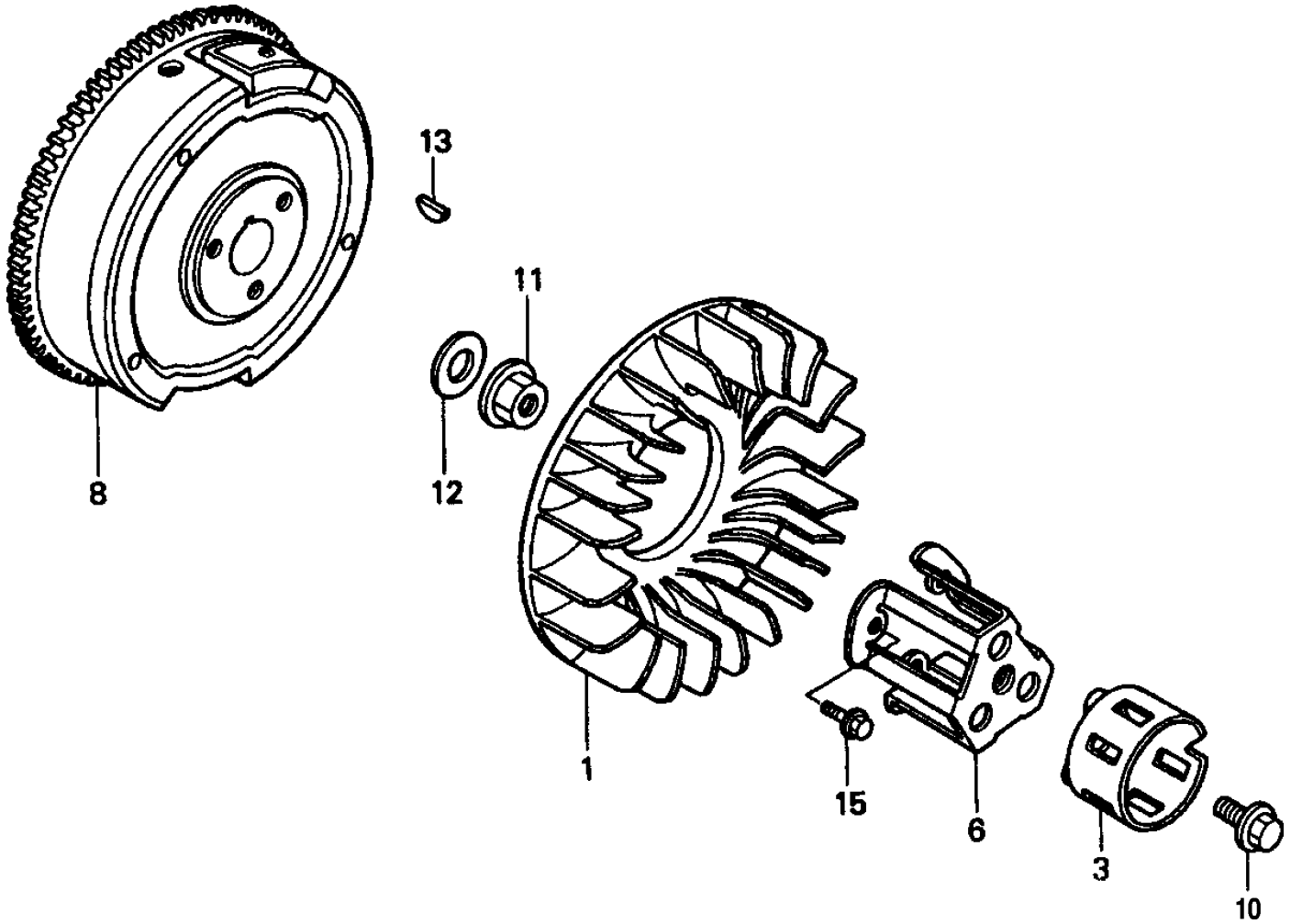
# HONDA GX610K1 ENGINE — FUEL PUMP ASSY.

## FUEL PUMP ASSY.

<u>NO</u>	<u>PART NO</u>	<u>PART NAME</u>	<u>QTY.</u>	<u>REMARKS</u>
1	16700ZJ1003	PUMP ASSY., FUEL	1	
2	16711ZJ1800	STAY, FUEL PUMP	1	
4	16910ZE8015	STRAINER COMP., FUEL	1	
5	19905ZA8701	GROMMET, WIRE	1	
6	35806752630	BASE, CLIP	1	
7	90617SA0003	CLIP, WIRE HARNESS	1	
8	950014511040	BULK HOSE, FUEL (4.5X110)	1	
9	950015519540	BULK HOSE, FUEL (5.5X195)	1	
10	950015521540	BULK HOSE, FUEL (5.5X215)	1	
11	9500202080	CLIP, TUBE (B8)	2	
12	950024105008	CLIP, TUBE (10.5MM)	4	
13	950033601620	TUBE, VINYL (11X13X160)	1	
14	957010600800	BOLT, FLANGE (6X8)	2	
15	957010601400	BOLT, FLANGE (6X14)	2	

# HONDA GX610K1 ENGINE — FLYWHEEL ASSY.

FLYWHEEL ASSY.



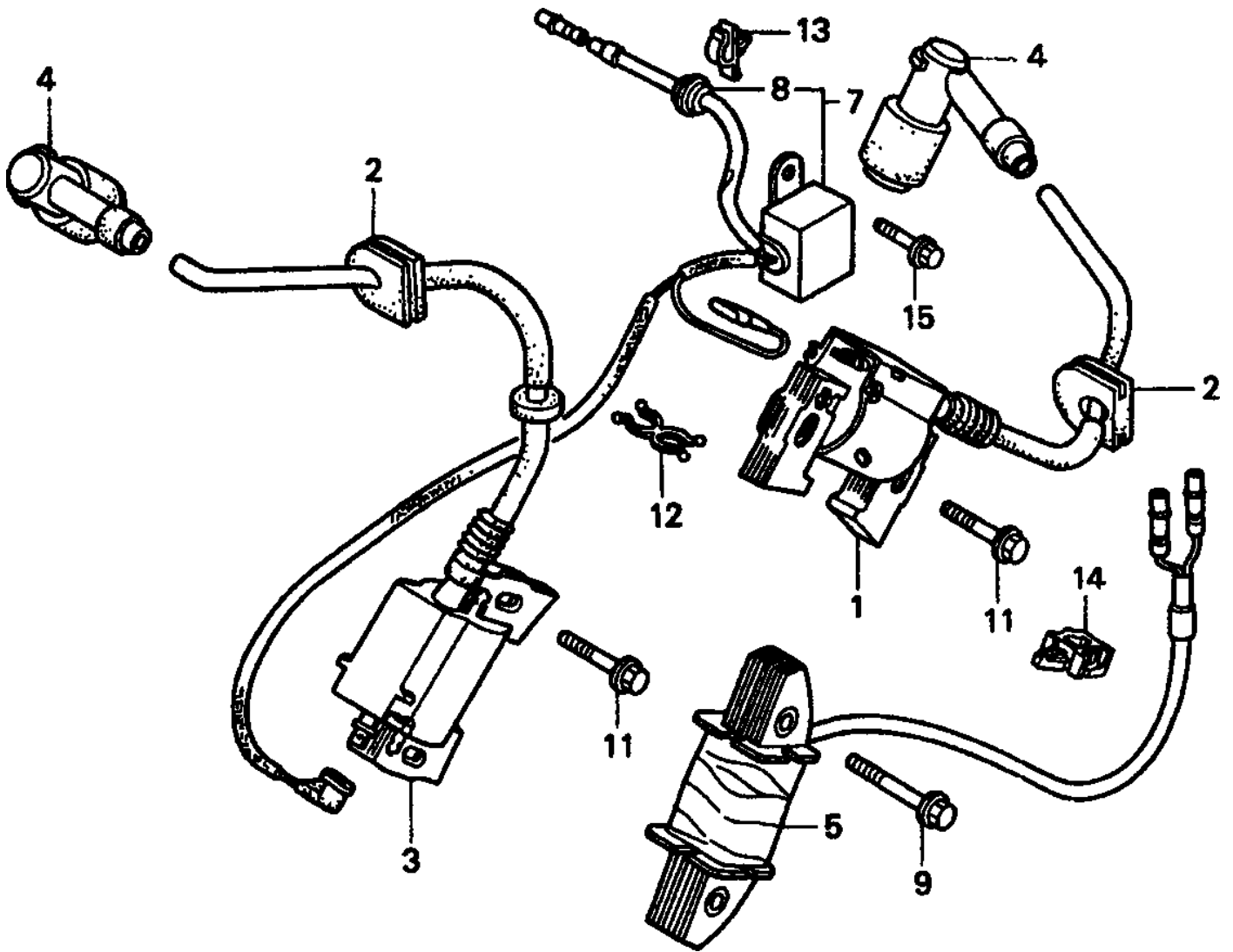
# HONDA GX610K1 ENGINE — FLYWHEEL ASSY.

## FLYWHEEL ASSY.

<u>NO</u>	<u>PART NO</u>	<u>PART NAME</u>	<u>QTY.</u>	<u>REMARKS</u>
1	19511ZJ1000	FAN, COOLING	1	
3	28451ZJ1801	PULLEY, STARTER	1	
6	28453ZJ1801	SPACER, STARTER PULLEY MT.	1	
8	31110ZJ1811	FLYWHEEL COMP.	1	
10	90013ZJ1800	BOLT, UBS (12X28)	1	
11	90201ZG3000	NUT, FLANGE (20MM)	1	
12	90401ZG3000	WASHER (20MM)	1	
13	90741ZE2000	KEY, SPECIAL WOODRUFF (25X18)	1	
15	957010801600	BOLT, FLANGE (8X16)	3	

# HONDA GX610K1 ENGINE — IGNITION COIL ASSY.

IGNITION COIL ASSY.



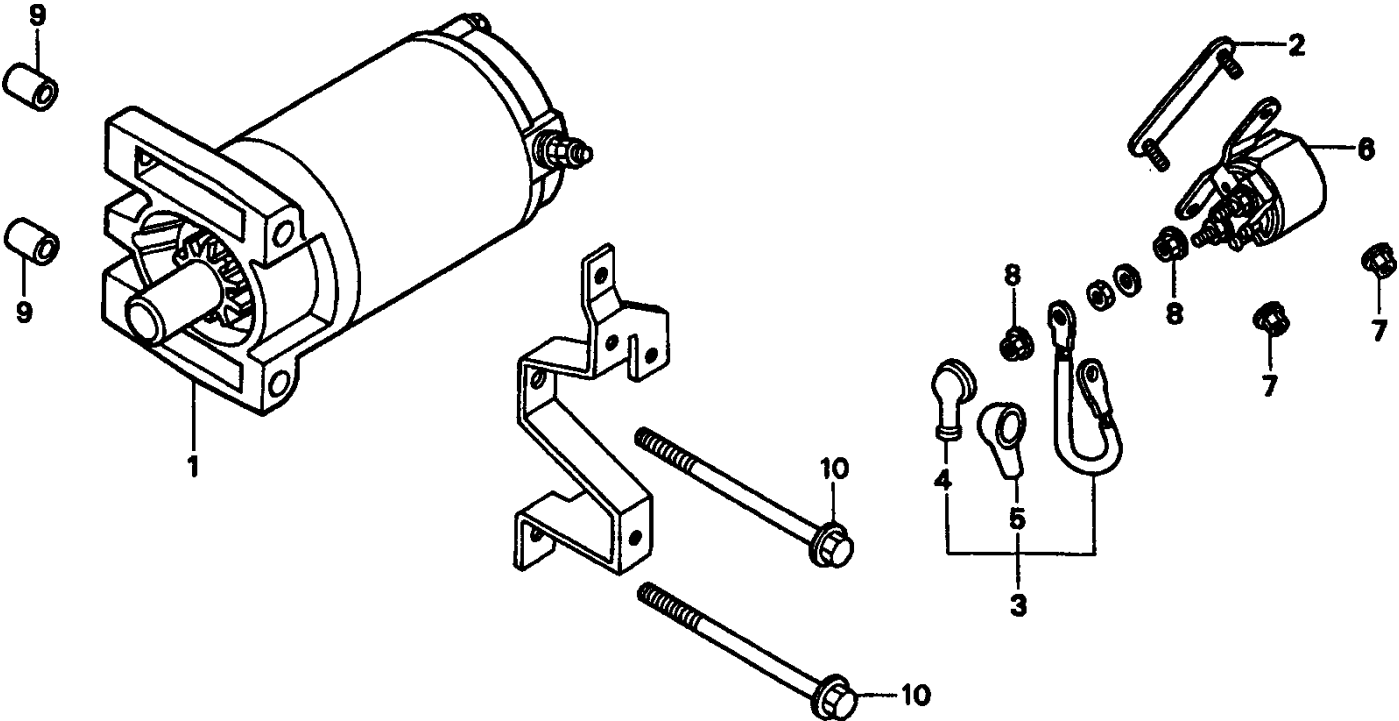
## HONDA GX610K1 ENGINE — IGNITION COIL ASSY.

### IGNITION COIL ASSY.

<u>NO</u>	<u>PART NO</u>	<u>PART NAME</u>	<u>QTY.</u>	<u>REMARKS</u>
1	30500ZJ1013	COIL ASSY., R. IGNITION	1	
2	30518ZJ1000	GROMMET, IGNITION WIRE	2	
3	30550ZJ1013	COIL ASSY., L. IGNITION	1	
4	30700ZJ1003	CAP ASSY., NOISE SUPPRESSER	2	
5	31630ZJ1003	COIL ASSY., CHARGE (12V/3A)	1	
7	31740ZJ1003	DIODE ASSY., ENGINE STOP	1	
8	63312ZA7000	GROMMET, TOOL	1	
9	90014ZE6000	BOLT, FLANGE (6X35)	2	
11	901219052000	BOLT, FLANGE (6X25)	2	
12	90658SA0003	CLIP, WIRE HARNESS	1	
13	90673GJ5003	CLIP, CORD	1	
14	901504750003	CLIP, WIRE HARNESS	1	
15	957010600800	BOLT, FLANGE (6X8)	1	

# HONDA GX610K1 ENGINE — STARTER MOTOR ASSY.

STARTER MOTOR ASSY.



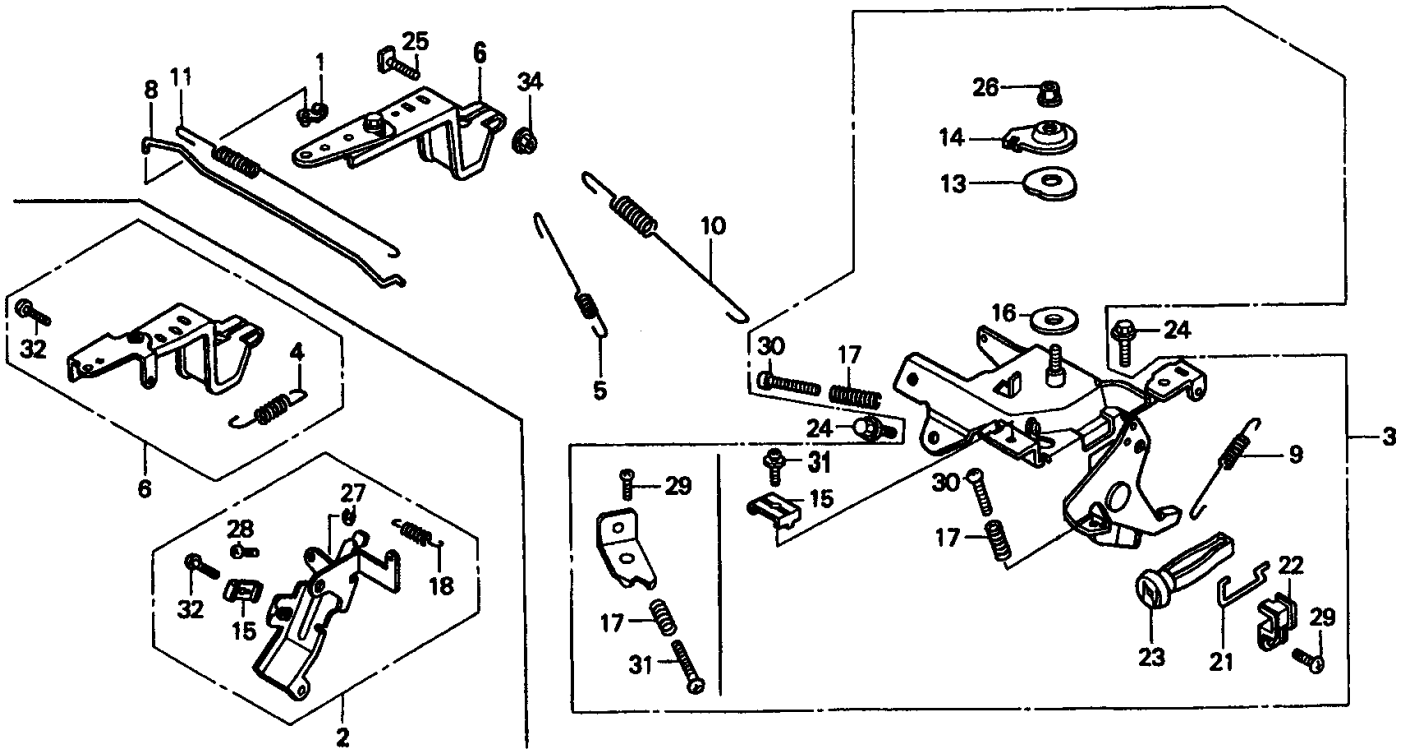
# HONDA GX610K1 ENGINE — STARTER MOTOR ASSY.

## STARTER MOTOR ASSY.

<u>NO</u>	<u>PART NO</u>	<u>PART NAME</u>	<u>QTY.</u>	<u>REMARKS</u>
1	31200ZJ1004	MOTOR ASSY., STARTER	1	
2	31243ZJ1800	BRACKET, STARTER MAGNETIC SET.	1	
3	32402ZJ1810	CABLE, MAGNET SWITCH .....	1	INCLUDES ITEMS W/*
4*	32411KB9930	COVER A, MAGNETIC SWITCH	1	
5*	32411402000	COVER, STARTER. MOTOR TERMINAL	1	
6	35850ZJ1811	SWITCH ASSY., STARTER MAGNETIC	1	
7	9405006000	NUT, FLANGE (6MM)	2	
8	9407006080	NUT, WASHER (6MM)	2	
9	9430110120	PIN, DOWEL (10X12)	2	
10	957010811000	BOLT, FLANGE (8X10)	2	

# HONDA GX610K1 ENGINE — GOVERNOR/CONTROL ASSY.

GOVERNOR/CONTROL ASSY.



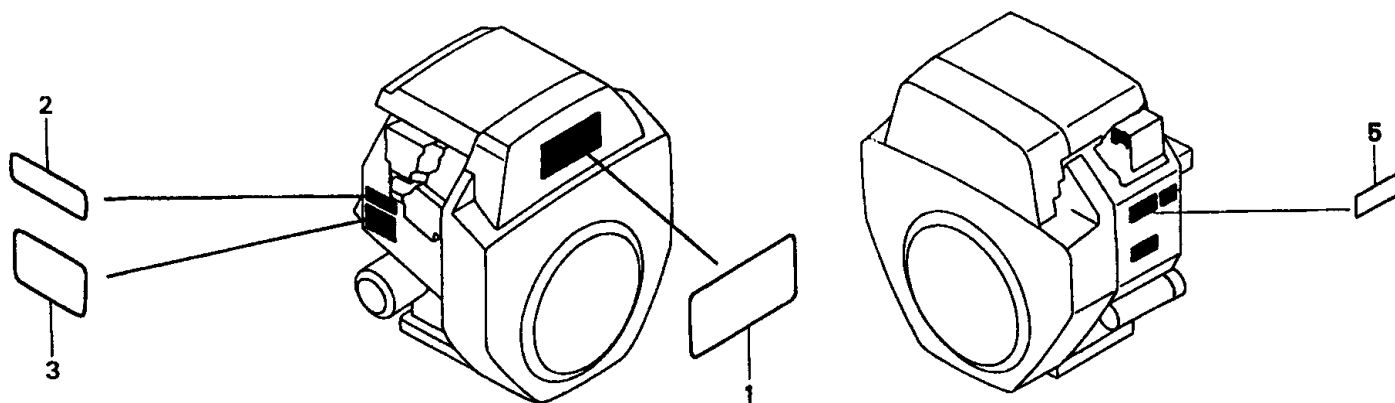
# HONDA GX610K1 ENGINE — GOVERNOR/CONTROL ASSY.

## GOVERNOR/CONTROL ASSY.

<u>NO</u>	<u>PART NO</u>	<u>PART NAME</u>	<u>QTY.</u>	<u>REMARKS</u>
1	16263ZE3790	JOINT, ROD	1	
2	16265ZJ1U80	STAY ASSY., AUTO THROTTLE .....	1	INCLUDES ITEMS W/*
3	16500ZJ1U80	CONTROL ASSY. ....	1	INCLUDES ITEMS W/#
4+	16534ZJ1U80	SPRING, RETURN	1	
5	16534Z16680	SPRING, STARTER	1	
6	16550ZJ1U80	ARM COMP., GOVERNOR.....	1	INCLUDES ITEMS W/+
8	16555ZJ1000	ROD, GOVERNOR	1	
9#	16561ZG1000	SPRING, GOVERNOR	1	
10	16561ZJ1000	SPRING, GOVERNOR	1	
11	16562ZJ1000	SPRING, THROTTLE RETURN	1	
13#	16574ZE1000	SPRING, LEVER	1	
14#	16575ZH8000	WASHER, CONTROL LEVER	1	
15*#	16576891000	HOLDER, CABLE	1	
16#	16578ZE1000	SPACER, CONTROL LEVER	1	
17#	16584883300	SPRING, CONTROL ADJ.	2	
18*	16592ZJ1000	SPRING, CABLE RETURN	1	
21#	16628ZJ1000	ROD, CHOKE KNOB	1	
22#	16649ZJ1000	HOLDER, CHOKE KNOB	1	
23#	17951ZG1000	KNOB, CHOKE	1	
24	90013883000	BOLT, FLANGE (6X12)	2	
25	90015ZE3790	BOLT, GOVERNOR ARM	1	
26#	90114SA0000	NUT, SELFLOCK (6MM)	1	
27*	90605230000	CIRCLIP (5MM)	2	
28*	9350004006OH	SCREW, PAN (4X6)	2	
29#	9350005012OH	SCREW, PAN (5X12)	1	
30#	9350005025OH	SCREW, PAN (5X25)	2	
31#	93500050160A	SCREW, PAN (5X16)	2	
32*+	93500050300H	SCREW, PAN (5X30)	2	
34	9405006000	NUT, FLANGE (6MM)	1	

# HONDA GX610K1 ENGINE — LABELS

## LABELS



# HONDA GX610K1 ENGINE — LABELS

## LABELS

<u>NO</u>	<u>PART NO</u>	<u>PART NAME</u>	<u>QTY.</u>	<u>REMARKS</u>
1	87101ZJ0000	MARK, EMBLEM (GX610)	1	
2	87152ZJ0000	LABEL, SPECIFICATION (GX610)	1	
3	87522ZJ1000	LABEL, CAUTION	1	
5	87532ZH8810	MARK, OIL ALERT (E)	1	

# HONDA GX610K1 ENGINE —GASKET KIT

## GASKET KIT

<u>NO</u>	<u>PART NO</u>	<u>PART NAME</u>	<u>QTY.</u>	<u>REMARKS</u>
	061A1ZJ1000	GASKET KIT .....	1	INCLUDES ITEMS W/*
1	11381ZJ1000	GASKET, CASE COVER	1	
2*	12251ZJ1003	GASKET, CYLINDER HEAD	2	
3*	12358ZJ1000	GASKET, BREATHER COVER	1	
4*	12391ZJ1000	GASKET, HEAD COVER	2	
5*	16221ZG8000	GASKET, CARBURETOR	2	
6*	17151ZJ1003	GASKET, IN. MANIFOLD	2	
7*	17228ZG8003	GASKET, AIR CLEANER	1	
8*	18333ZJ1000	GASKET, EX. PIPE	2	
9*	91301805000	ORING (26X2.7)	1	