

FIGURE 3 - PARTS LIST: MK-1609H HONDA GX270 STANDARD, 18" BG P/N 157867

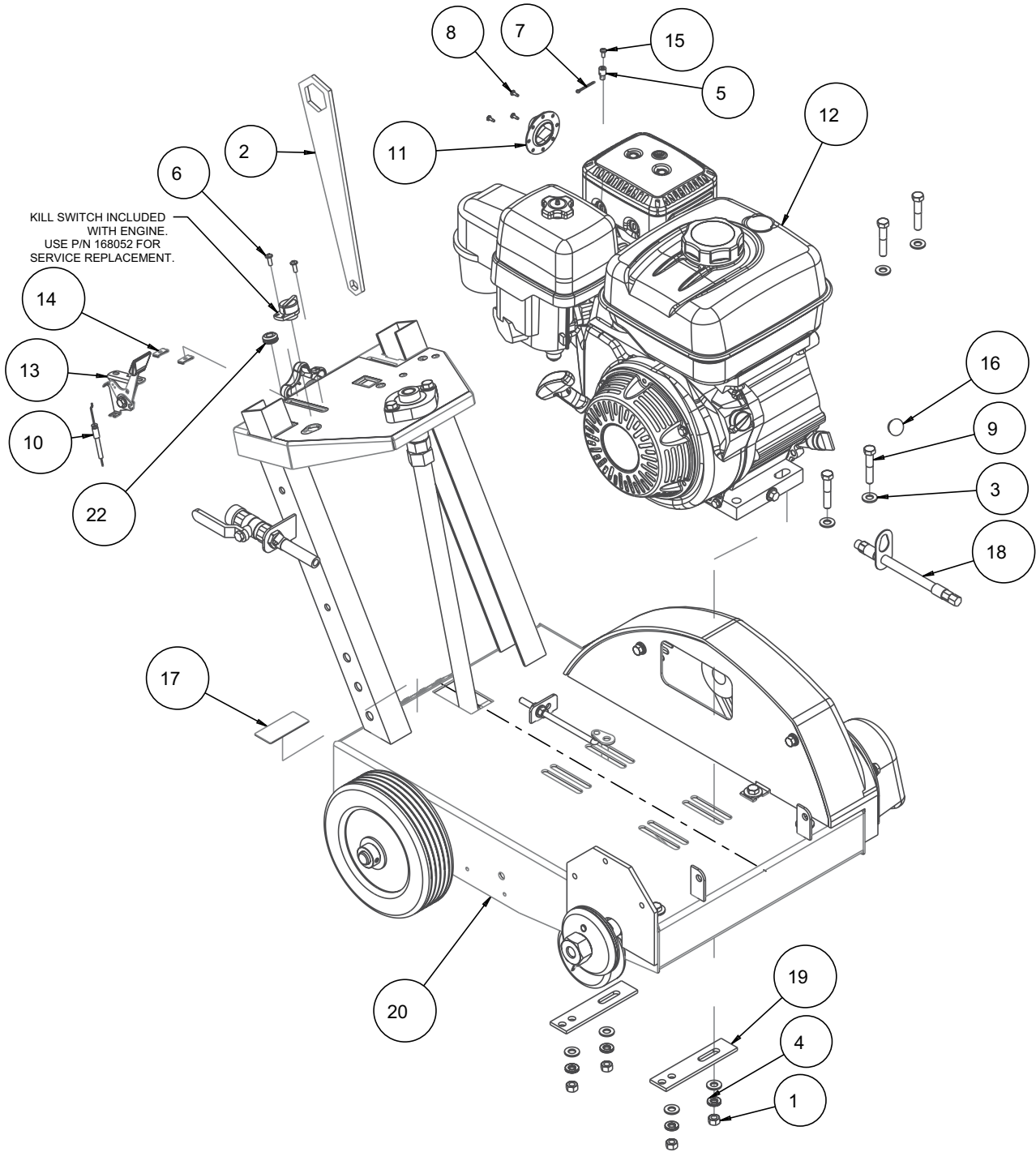


FIGURE 3 - PARTS LIST: MK-1609H HONDA GX270 STANDARD, 18" BG P/N 157867

ITEM NO.	DESCRIPTION	PART #	QTY.
1	NUT, HEX, 3/8-16	101188	4
2	WRENCH, BOX END, 1-1/2 X 9/16	137976	1
3	WASHER, FLAT, SAE, 3/8	150923	8
4	WASHER, LOCK, SPLIT, 3/8	150925	4
5	PIN, THROTTLE CONTROL	151284	1
6	SCREW, PAN HD, #10-24 X 1/2	151744	2
7	PIN, 1/16 X 3/4 COTTER	152518	1
8	SCREW, #6-32 X 3/8 PAN HEAD SELF TAPPING	153466	3
9	SCREW, HEX HD, CAP, 3/8-16 X 2	153485	4
10	CABLE, 48" CONTROL (RAW)	154158	1
11	DEFLECTOR, 8/11/13HP HONDA	155375	1
12	ENGINE, HONDA GX270	155396	1
13	ASSY, THROTTLE CONTROL	155406	1
14	NUT, 10-24 CLIP	155407	2
15	SCREW, 8-32 X 3/8 PAN HEAD PHILLIPS	156614	1
16	PLUG, HOLE PLASTIC 3/4"	156615	1
17	TAG, SERIAL NUMBER, BLANK	157500-RW	1
18	HOSE, OIL DRAIN, M12	157577-02	1
19	PLATE, ENGINE BOLT	157847	2
20	MK-1600 STD LESS ENG, 18" BG	160833	1
21	WIRE HARNESS, GX390, HONDA	169261	1
22	GROMMET, PUSH-IN, 3/8X13/16 OD	169262	1

FIGURE 5 - PARTS LIST: MK-1600 STD LESS ENG, 18"BG P/N 160833

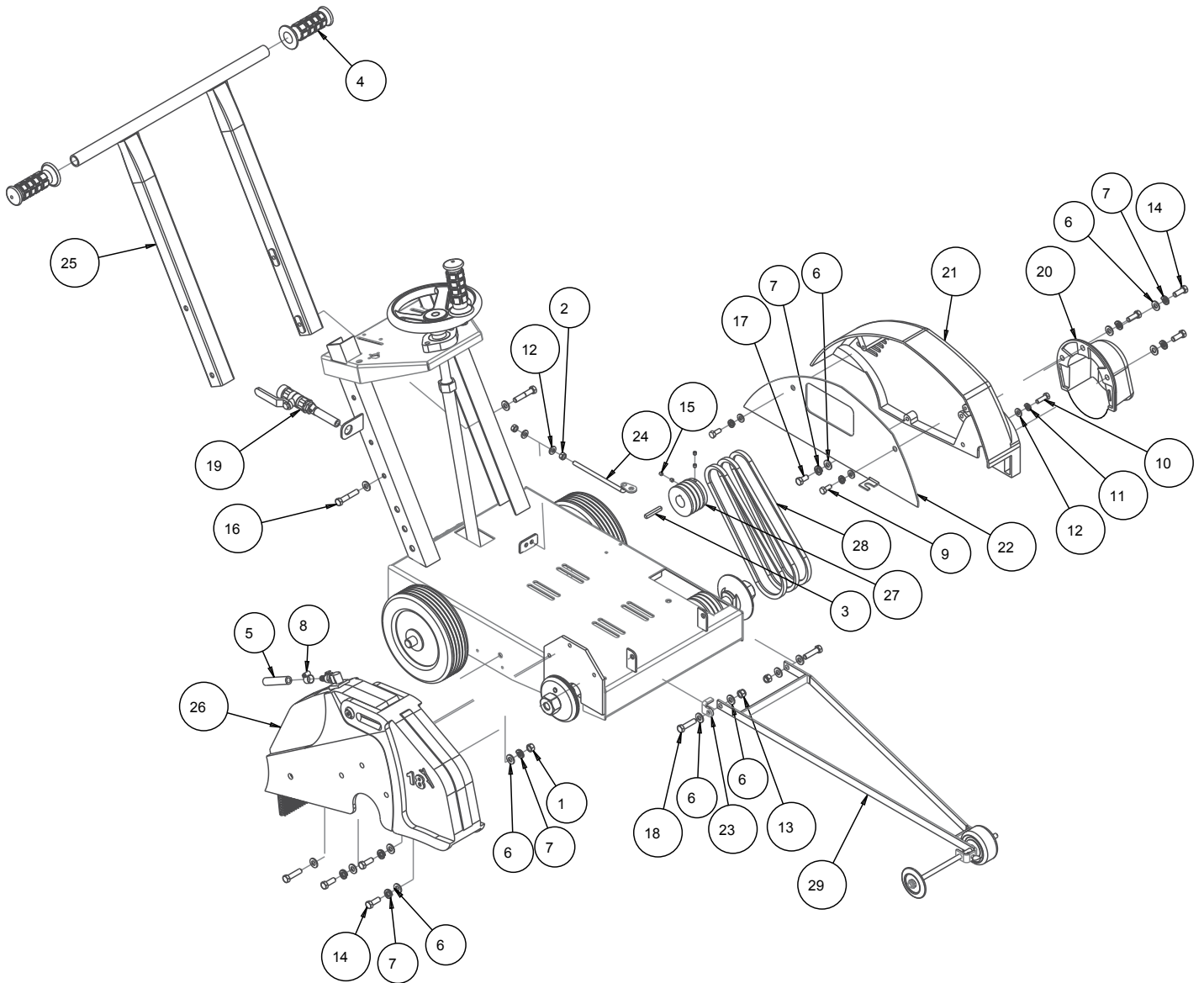


FIGURE 5 - PARTS LIST: MK-1600 STD LESS ENG, 18"BG P/N 160833

ITEM NO.	DESCRIPTION	PART #	QTY.
1	NUT, HEX, 3/8-16	101188	1
2	NUT, HEX, 5/16-18	101196	2
3	KEY, 1/4 SQR X 1-3/4	150796	1
4	GRIP, HANDLE, 1.0 ID	150842	2
5	HOSE, 3/8 X 5/8 VINYL, 30"	150845	1
6	WASHER, FLAT, SAE, 3/8	150923	15
7	WASHER, LOCK, SPLIT, 3/8	150925	8
8	CLAMP, HOSE, 5/8	151198	1
9	SCREW, HEX HD, CAP, 5/16-18 X 3/4	151369	2
10	SCREW, HEX HD, 5/16-18X1	151743	1
11	WASHER, LOCK, SPLIT, 5/16	151747	3
12	WASHER, FLAT, SAE, 5/16	151754	5
13	NUT, HEX, NYLK, 3/8-16	152505	2
14	SCREW, HEX HD CAP, 3/8-16 X 1	152507	6
15	SCREW, SET, CUP PT, 5/16-18X1/4	152607	4
16	SCREW, HEX HD, CAP, 3/8-16X2	153485	2
17	SCRW, HEX, 3/8-16 X 3/4	153527	1
18	SCREW, 3/8-16 X 1-1/2 HEX HEAD	153528	3
19	ASSY, WATER VALVE	155458	1
20	GUARD, SHAFT (COMP)	156307	1
21	GUARD, BELT (COMP)	157704	1
22	PLATE, BELT GUARD BACK	157705	1
23	CLIP, STOP	157837	1
24	ARM, TENSION	157848	1
25	HANDLEBAR 9000/1600	159903	1
26	ASSY, BLADE GUARD, 18"	160481	1
27	PULLEY, 3VX X 3 X 2.65 X 1	160614	1
28	BELT, 3VX280	160615	3
29	ASSY, POINTER, CONC SAW	166465	1

FIGURE 5 - PARTS LIST: MK-1600 STD LESS ENG, 18"BG P/N 160833

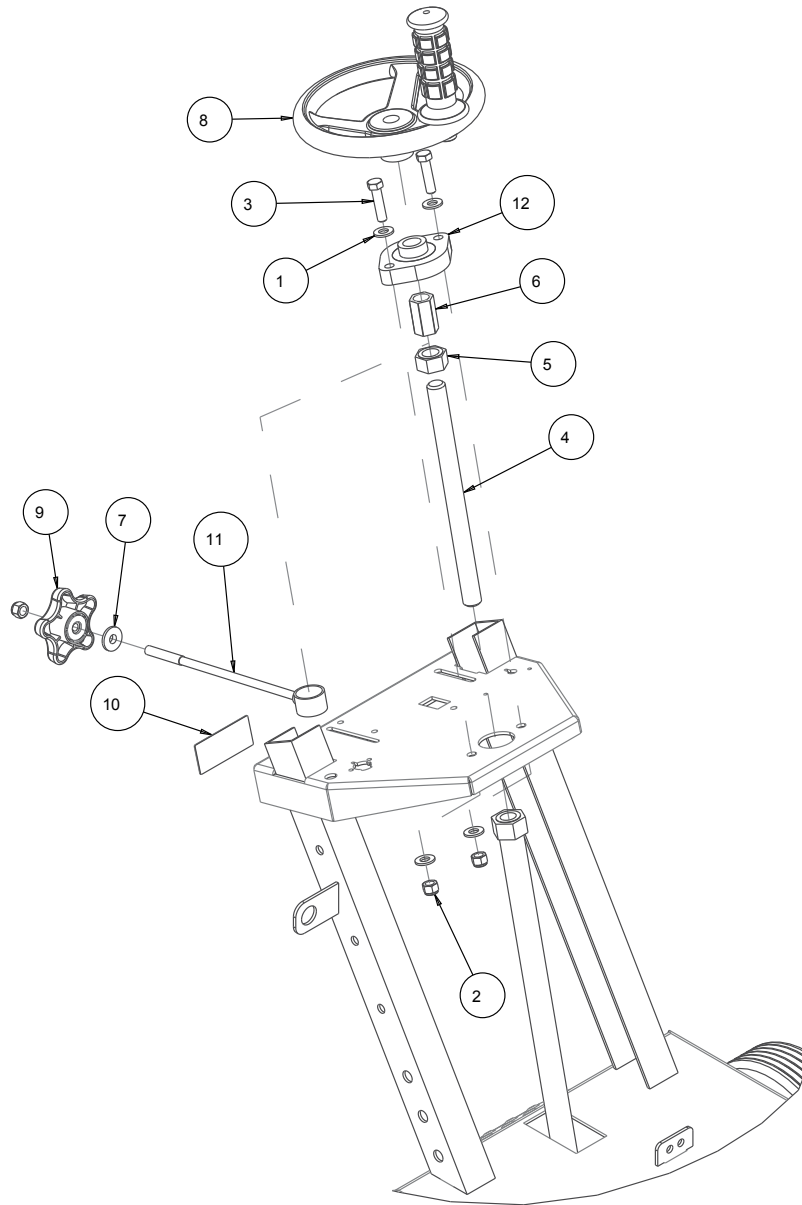


FIGURE 5 - PARTS LIST: MK-1600 STD LESS ENG, 18"BG P/N 160833

ITEM NO.	DESCRIPTION	PART #	QTY.
1	WASHER, FLAT, SAE, 3/8	150923	4
2	NUT, HEX, NYLK, 3/8-16	152505	3
3	SCREW, 3/8-16 X 1-1/2 HEX HEAD	153528	2
4	STUD, 3/4-10 X 10"	155062	1
5	NUT, 3/4-10 HEX	155063	1
6	SPACER, DEPTH CONTROL	155161	1
7	WASHER, THRUST	155238	1
8	ASSY, CRANK WHEEL, 3/4-10	155457	1
9	KNOB, ADJ, 5 PRONG COMP	155845	1
10	TAG, SERIAL NUMBER, BLANK	157500-RW	1
11	LOCK, DEPTH CONTROL, 8-7/8	157846	1
12	BEARING, FLANGE, 3/4ID, FD204	165971	1

FIGURE 5 - PARTS LIST: MK-1600 STD LESS ENG, 18"BG P/N 160833

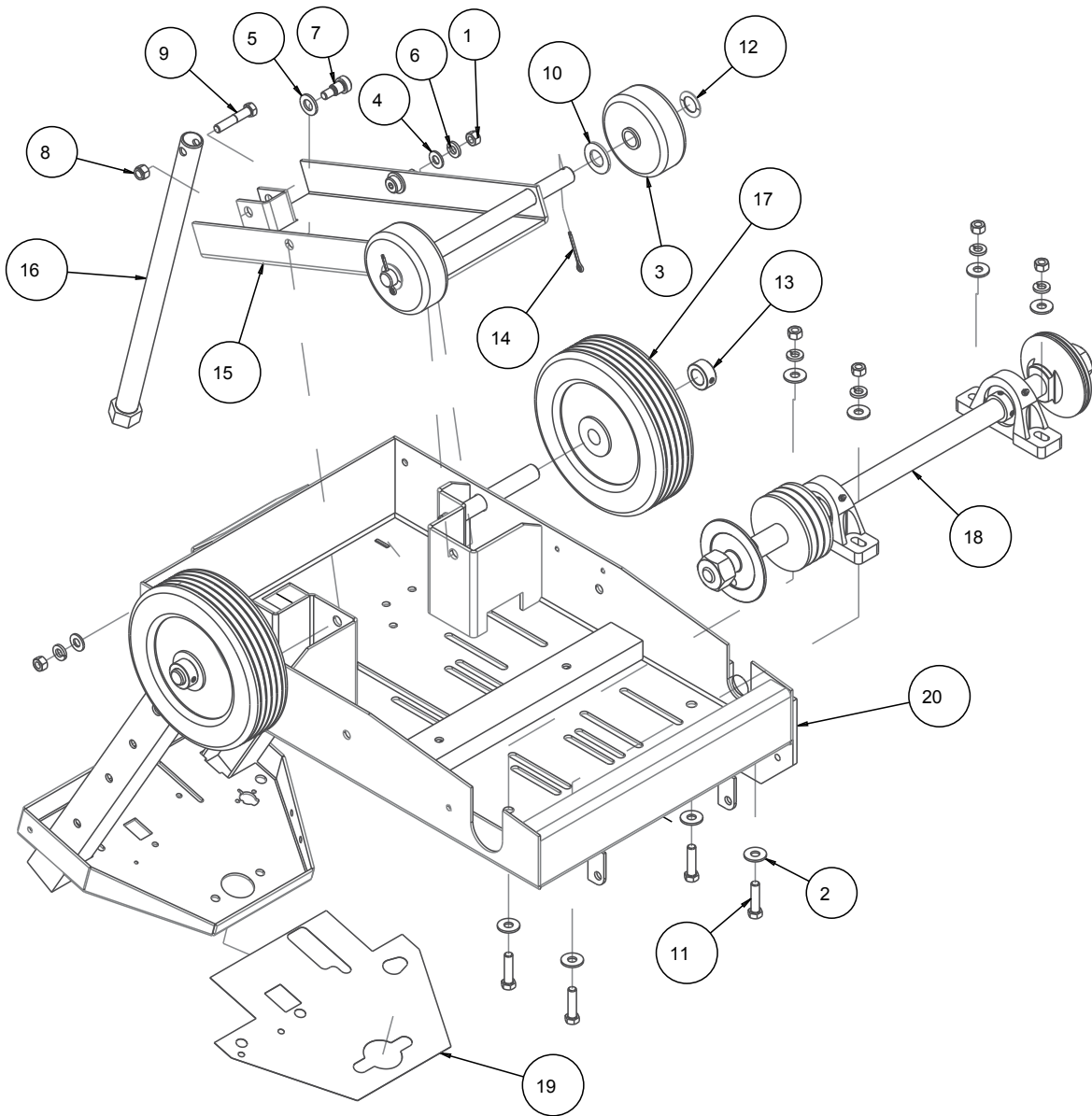
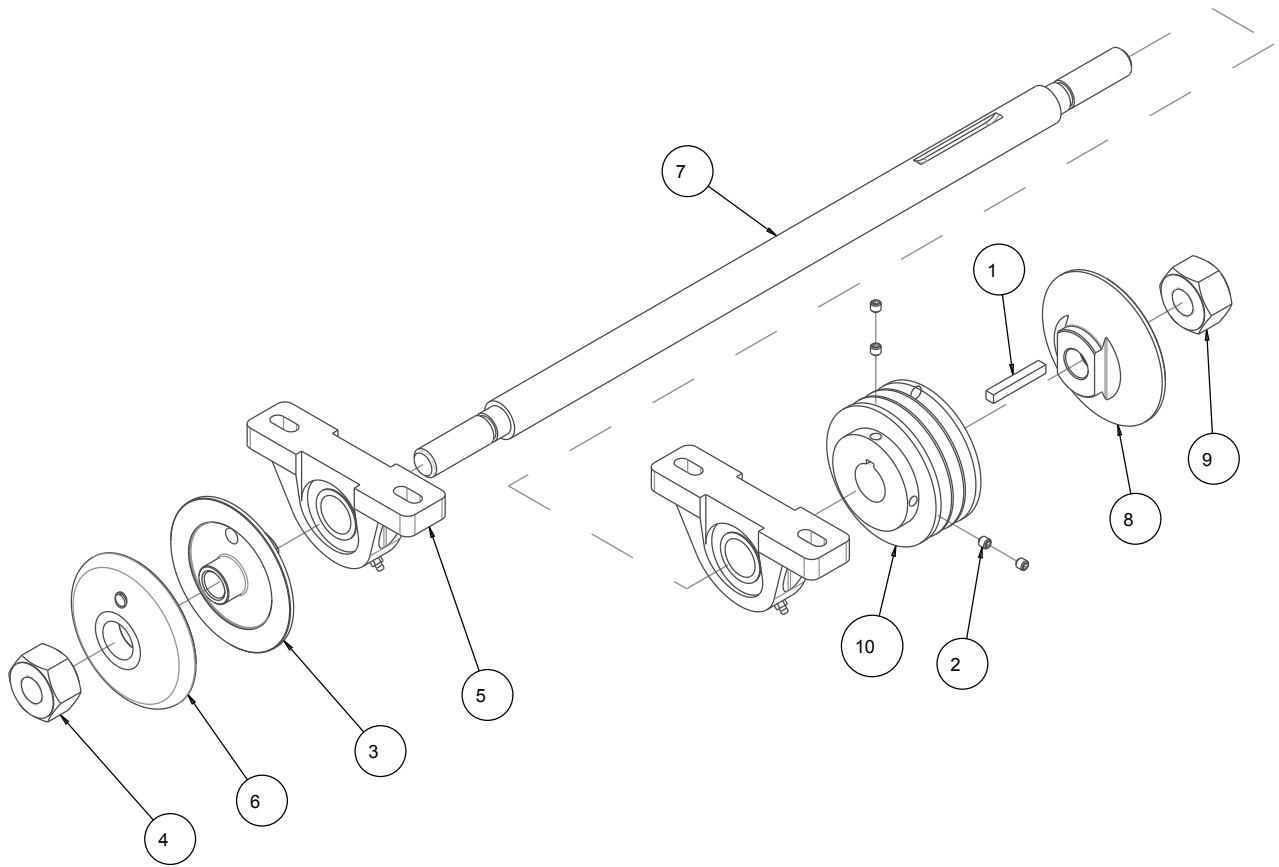


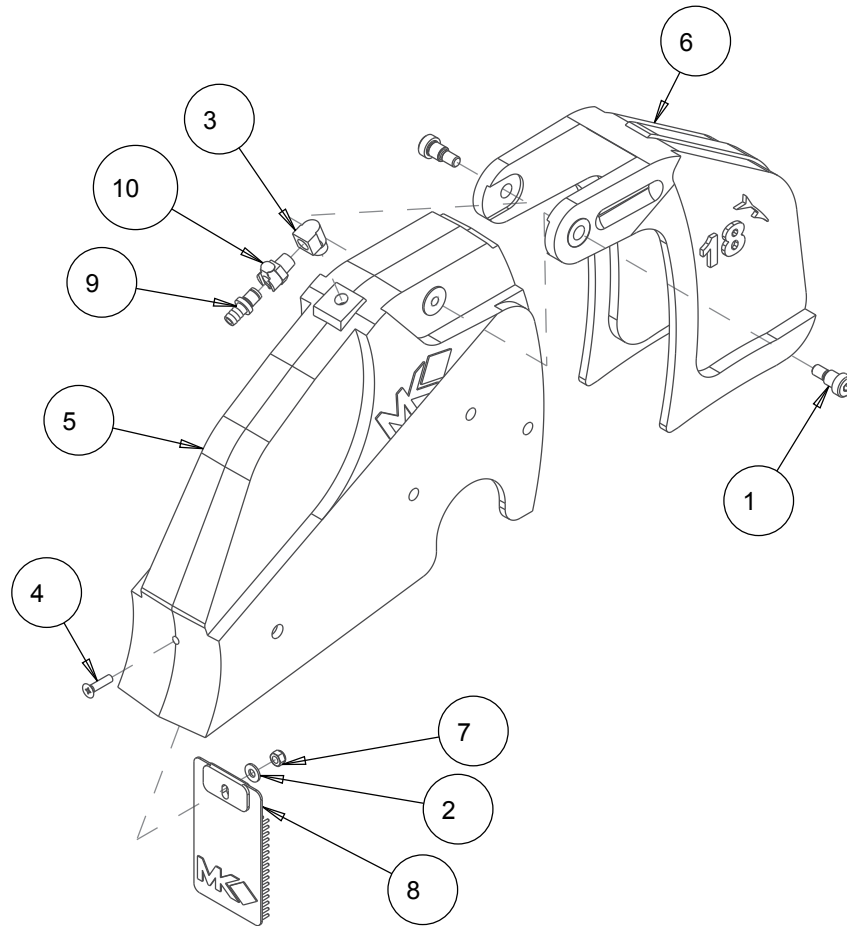
FIGURE 5 - PARTS LIST: MK-1600 STD LESS ENG, 18"BG P/N 160833

ITEM NO.	DESCRIPTION	PART #	QTY.
1	NUT, HEX, 3/8-16	101188	6
2	WASHER, FLAT, USS, 3/8	101360	8
3	WHEEL, FRONT, Ø 4 X 1-1/2W	150830	2
4	WASHER, FLAT, SAE, 3/8	150923	2
5	WASHER, 1/2 SAE FLAT	150924	2
6	WASHER, LOCK, SPLIT, 3/8	150925	6
7	SCREW, SHOULDER, 1/2X1/2	151753	2
8	NUT, HEX, NYLK, 3/8-16	152505	1
9	SCREW, HEX HD, CAP, 3/8-16 X2	153485	1
10	WASHER, FLAT, SAE, 3/4	153523	2
11	SCRW, 3/8-16 X 1-1/2 HEX HEAD	153528	4
12	SHIM, .045 THK .750 ID 1.250 OD	153699	2
13	COLLAR, SET, 3/4"	153814	2
14	PIN, COTTER 1/8 X 1-1/2	153861	2
15	WELDMENT, TRUCK	155048	1
16	LINKAGE, DPTH FEED 1600/9000	155049	1
17	WHEEL, REAR 8"	155986	2
18	ASSY, BLD SHAFT, PREMIUM	157839	1
19	LABEL, FRAME CONSOLE	157850	1
20	FRAME, MK-1600 GAS/ELEC	168369	1

FIGURE 6 - PARTS LIST: MK-1600, ASSY, BLADE SHAFT, PREMIUM P/N 157839

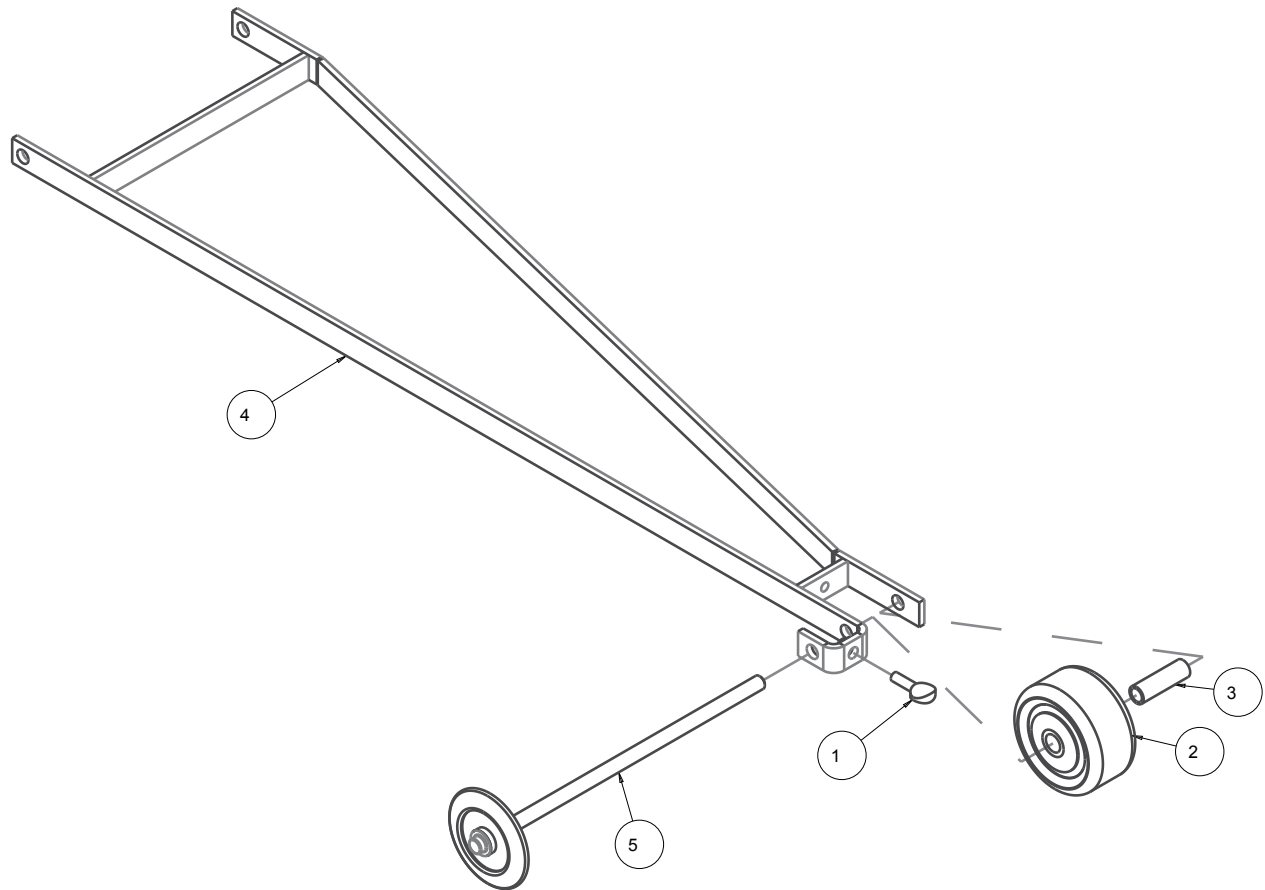


ITEM NO.	DESCRIPTION	PART #	QTY.
1	KEY, 1/4 SQR X 1-3/4	150796	1
2	SCREW, SET, CUP PT, 5/16-18 X 1/4	152607	4
3	FLANGE, 4.0 X 3/4-16LH INNER	155068	1
4	NUT, BLD SHFT, LH, 3/4-16	155069	1
5	BEARING, PILLOW BLK 1"	155072	2
6	ASSY, OUTER FLANGE, 4"	155451	1
7	SHAFT, BLADE, PREMIUM, 1600	157842	1
8	FLANGE, 4.0 X 3/4-16RH INNER	157843	1
9	NUT, BLD SHFT, 3/4 -16	157844	1
10	PULLEY, 3/3V37 X 1 BORE	160613	1

FIGURE 7 - PARTS LIST: 18" BLADE GUARD P/N 160481

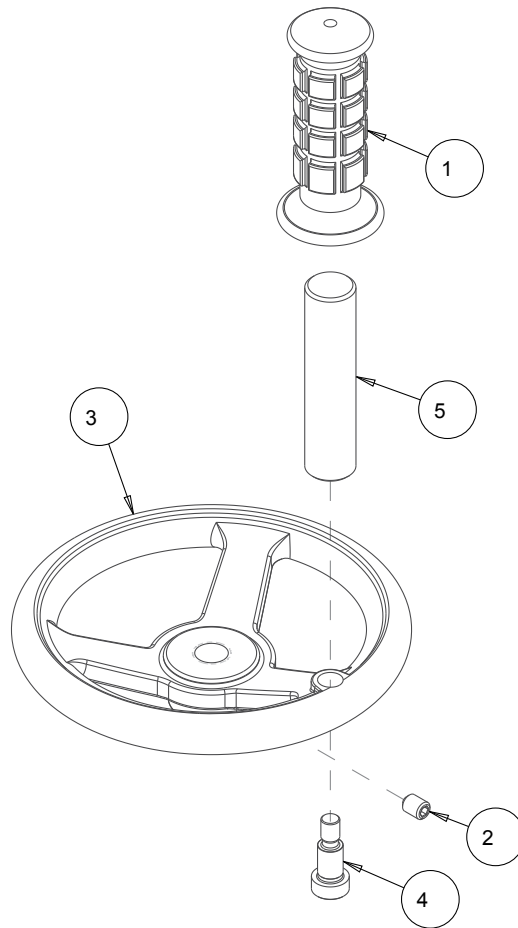
ITEM NO.	DESCRIPTION	PART #	QTY.
1	SCREW, SHOULDER, 1/2 X 1/2	151753	2
2	WASHER, FLAT, SAE, 1/4	151915	1
3	ELBOW, 1/4MNPT STREET	154615	1
4	SCREW, FLAT HD, 1/4-20X1	157527	1
5	CASTING, BLD GRD, 18" REAR-COMP	159544	1
6	CASTING, BLD GRD, 18" FRONT-COMP	159645	1
7	NUT, HEX, NYLK, 14 -20	159857	1
8	GUARD, SPLASH	160310	1
9	COUPLING, QD PLUG, 3/8 BARB	160464	1
10	COUPLING, QD SOCKET, 1/4MNPT	160465	1

FIGURE 8 - PARTS LIST: POINTER P/N 166465



ITEM NO.	DESCRIPTION	PART #	QTY.
1	SCREW, THUMB 1/4-20 X 3/4	150991	1
2	WHEEL, POINTER, 3"	155066	1
3	BUSHING, 3/8ID X 1-5/8L	155153	1
4	POINTER ARM, MK-1600	156544	1
5	ASSY, POINTER WHEEL	165238	1

FIGURE 9 - PARTS LIST: HANDLE P/N 155457



ITEM NO.	DESCRIPTION	PART #	QTY.
1	GRIP, HANDLE, 1.0ID	150842	1
2	SCREW, SET, SOC, CUPT, 3/8-16X1/2	153710	1
3	CASTING, CRANK WHEEL, 3/4-10-COMP	155156	1
4	SCREW, SHLDR, SOC HD, 1/2 X 3/4	156177	1
5	HANDLE, CRANK WHEEL	156236	1