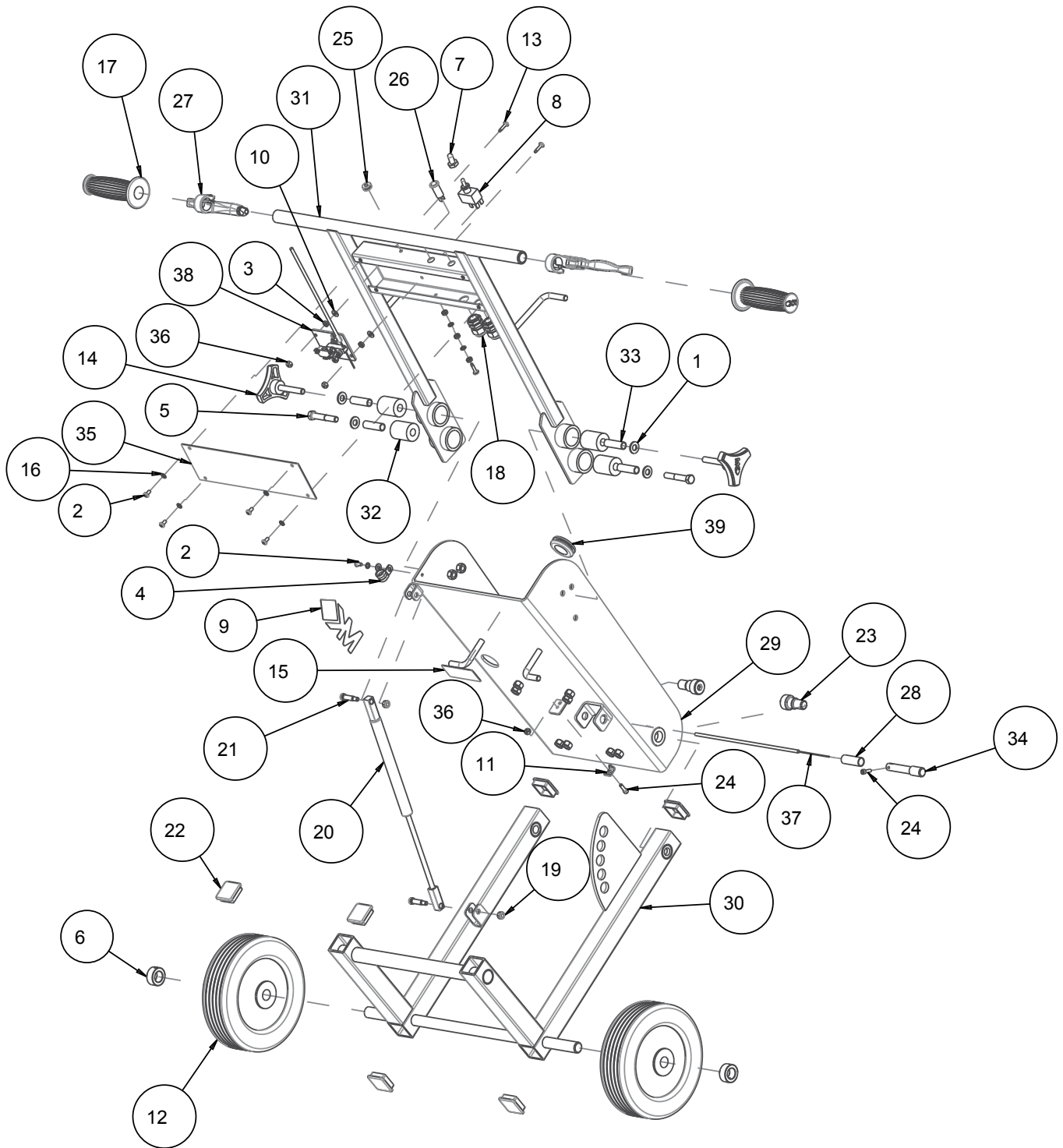


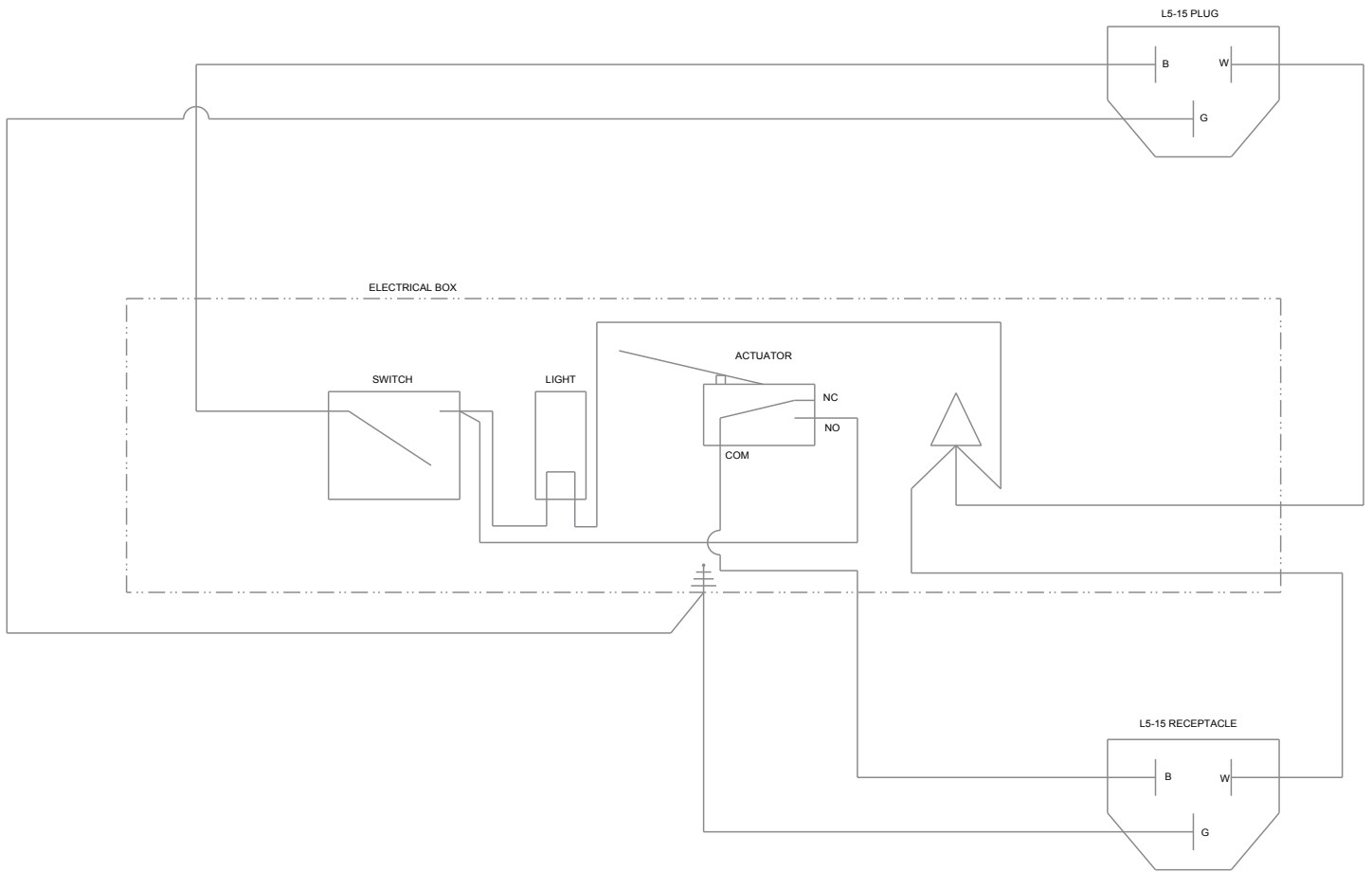
CTS DEMOLITION CART ASSY, CART P/N 172656



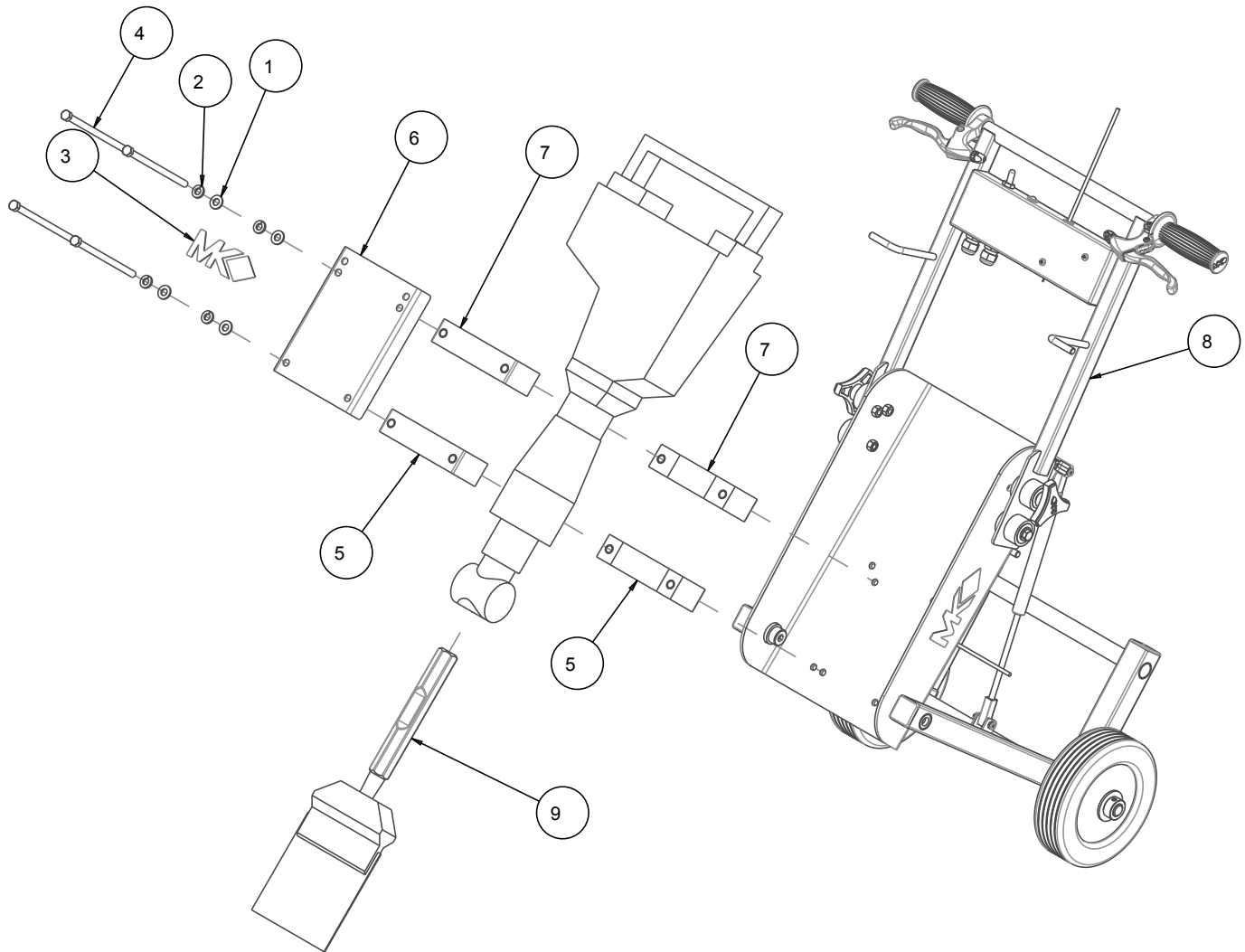
CTS DEMOLITION CART ASSY, CART P/N 172656

ITEM NO.	DESCRIPTION	PART #	QTY.
1	WASHER, FLAT, SAE, 3/8	150923	4
2	SCREW, PAN HD, #10-24X3/8	151097	5
3	NUT, HEX, 10-24	151749	5
4	CLAMP, CUSHION LOOP 3/8	152592	1
5	SCREW, HEX HD, CAP, 3/8-16X2-1/4	153529	2
6	COLLAR, SET, 3/4"	153814	2
7	COVER, SWITCH	154301	1
8	SWITCH, TOGGLE 125V 20A	154310	1
9	LABEL, 1-3/4 X 5 MK LOGO	154335	1
10	WASHER, FLAT, SAE, #10	154369	3
11	CLAMP, CABLE	154383	1
12	WHEEL, REAR 8"	155986	2
13	SCREW, PAN HD PHIL MS 10-24 X 3/4	156641	3
14	KNOB, TRI PLASTIC MK-770 2-1/4	156770-04	2
15	TAG, SERIAL NUMBER, BLANK	157500-RW	1
16	WASHER, LOCK, IT, #10	158336	7
17	GRIP, HANDLE 7/8 ID	158608	2
18	CONNECTOR, CORD, LTF11	159582	2
19	NUT, HEX, NYLK, 1/4-20	159857	2
20	SPRING, GAS, 600N W/END FITTINGS	160696-MK	1
21	SCREW, SHOULDER, 5/16 X 7/8	160726	2
22	PLUG, SQUARE, 1-1/2-10-14	161165	6
23	SCREW, 3/4 X 1/2 SOCKET HEAD SHOULDER	162893	2
24	SCREW, SOC HD, 10-24X5/8	167758	2
25	GROMMET, 1/4 X 5/8 X 1/8	168266	1
26	LIGHT, PANEL, 1/2", GREEN, 120V	169607	1
27	LEVEL, LOCK RELEASE	172073	2
28	SPRING, COMPRESSION, 0.6OD X 3.5L	172136	1
29	WELDMENT, CARRIAGE	172314	1
30	WELDMENT, LOWER FRAME	172315	1
31	WELDMENT, HANDLERBAR	172316	1
32	TUBE, SILICONE	172320	4
33	TUBE, SPACER, HANDLERBAR	172321	4
34	PIN, INDEX	172322	1
35	PLATE, BACK, ELEC	172331	1
36	NUT, HEX, NYLK, 10-24	172353	3
37	CABLE, PIN RELEASE, COMP	172400	1
38	ASSY, SWITCH	172408	1
39	GROMMET, 1 X 1-3/4 X 3/16	172524	1

WIRE DIAGRAM

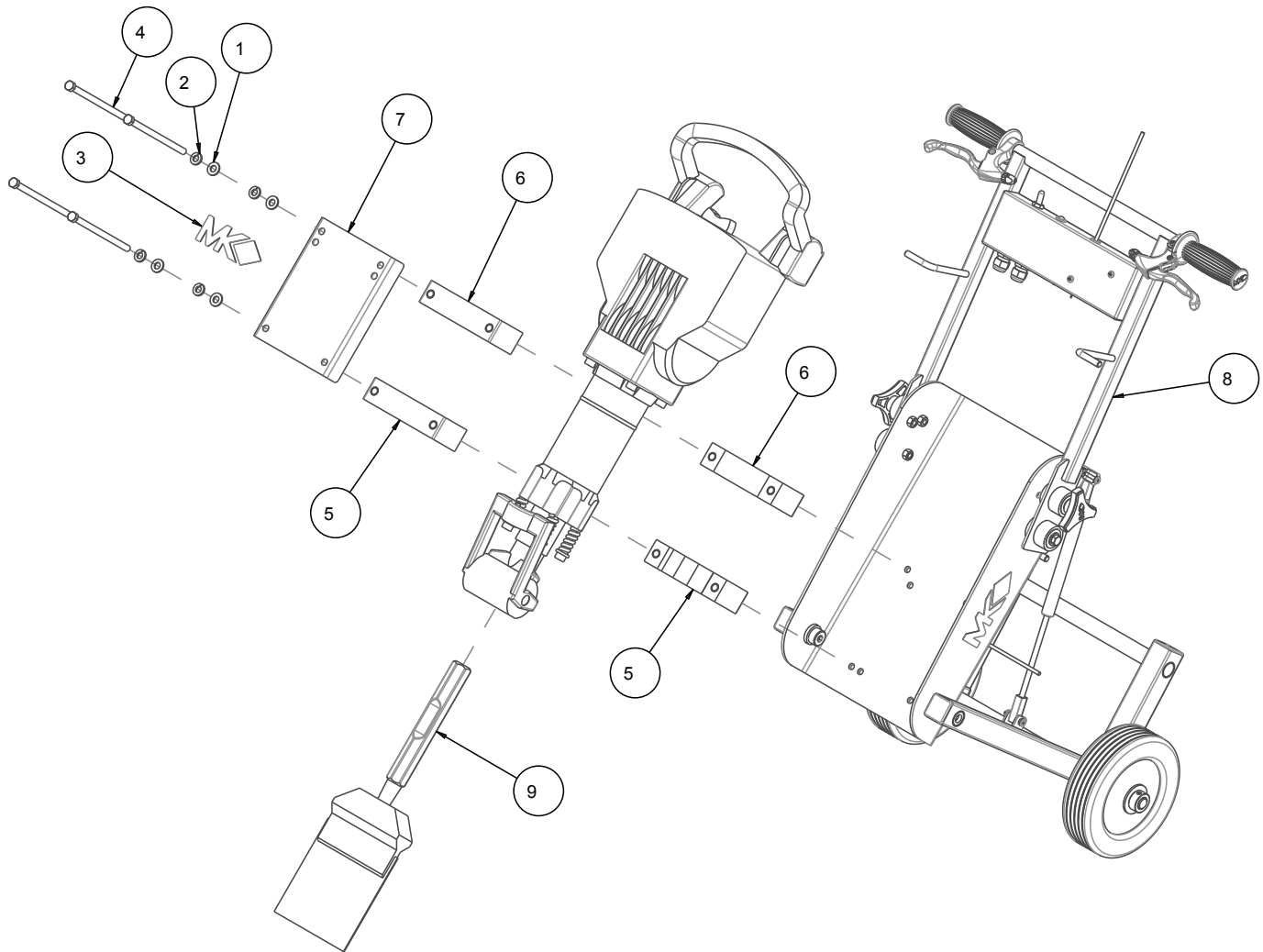


CTS DEMOLITION CART P/N 172655



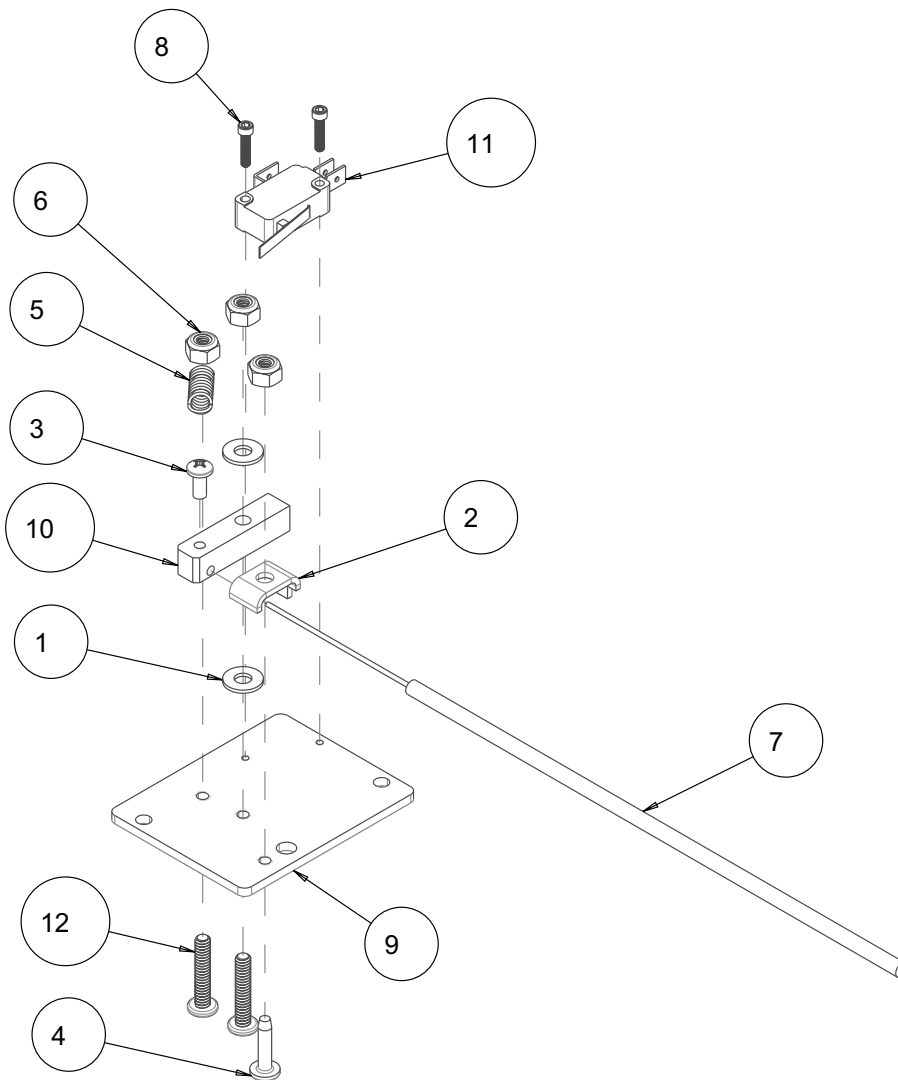
ITEM NO.	DESCRIPTION	PART #	QTY.
1	WASHER, FLAT, SAE, 3/8	150923	4
2	WASHER, LOCK, SPLIT, 3/8	150925	4
3	LABEL, 1-3/4 X 5 MK LOGO	154335	1
4	SCREW, HEX HEAD, 3/8-16 X 6-1/2 LG.	165207	4
5	MOUNT, BACK -BOSCH	172318	2
6	PLATE, MOUNT	172319	1
7	MOUNT, BACK-HITACHI	172652	2
8	ASS, CART, MK-CTS	172656	1
9	ASSY, TILE SCRAPER	172847	1

CTS DEMOLITION CART P/N 172313



ITEM NO.	DESCRIPTION	PART #	QTY.
1	WASHER, FLAT, SAE, 3/8	150923	4
2	WASHER, LOCK, SPLIT, 3/8	150925	4
3	LABEL, 1-3/4 X 5 MK LOGO	154335	1
4	SCREW, HEX HEAD, 3/8-16 X 6-1/2 LG.	165207	4
5	MOUNT, FRONT-BOSCH	172317	2
6	MOUNT, BACK -BOSCH	172318	2
7	PLATE, MOUNT	172319	1
8	ASS, CART, MK-CTS	172656	1
9	ASSY, TILE SCRAPER	172847	1

ASSEMBLY SWITCH P/N 172408



ITEM NO.	DESCRIPTION	PART #	QTY.
1	WASHER, FLAT, SAE, #10	154369	2
2	CLAMP, CABLE	154383	1
3	SCREW, 8-32 X 3/8 PAN HEAD PHILLIPS	156614	1
4	SCREW, PAN HD PHIL MS 10-24X3/4	156641	1
5	SPRING, EXT, .30OD X .037WD X 3/4L	167241	1
6	NUT, HEX, NYLK, 10-24	172353	3
7	CABLE, SWITCH, COMP, 11"	172401	1
8	SCREW, SOC HD, CAP, #4-40 X 1/2	172402	2
9	PLATE, SWITCH	172405	1
10	LEVER, SWITCH	172406	1
11	SWITCH, SNAP ACTING	172407	1
12	SCREW, PAN HD, #10-24 X 1	172409	2