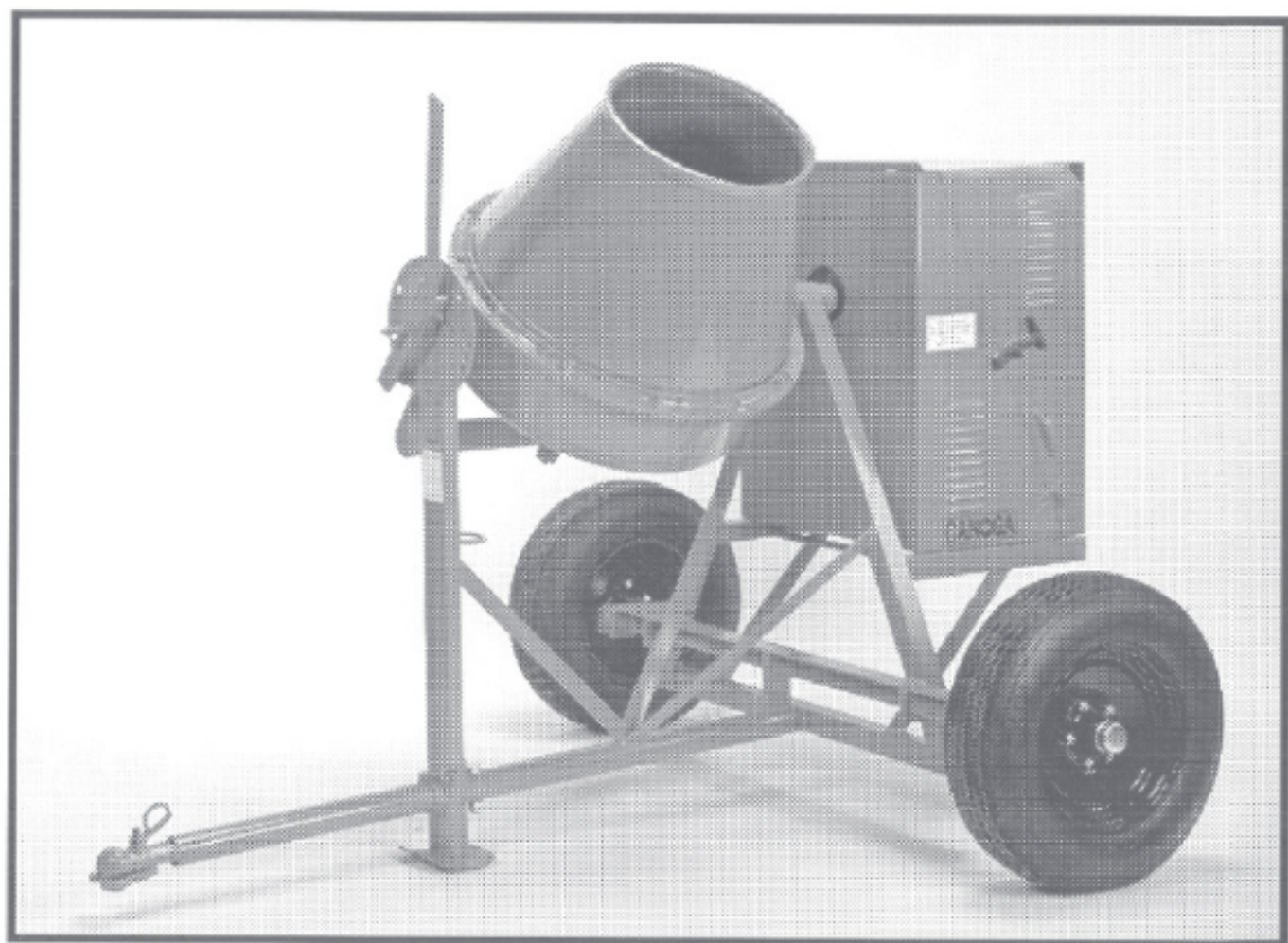
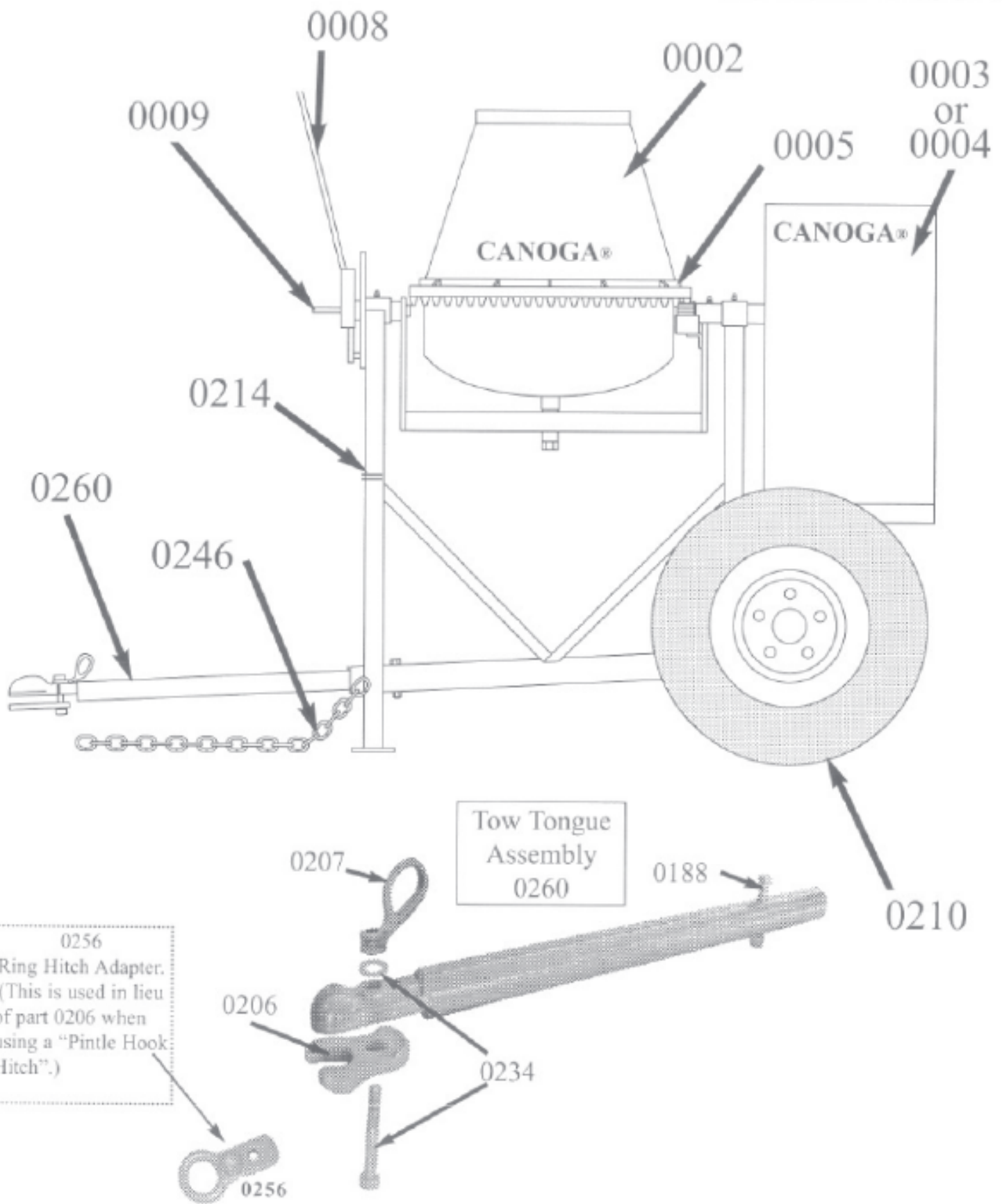


CANOGA® CONCRETE MIXER

OWNERS/PARTS MANUAL 113 Series Machines



IDENTIFYING PART NUMBERS

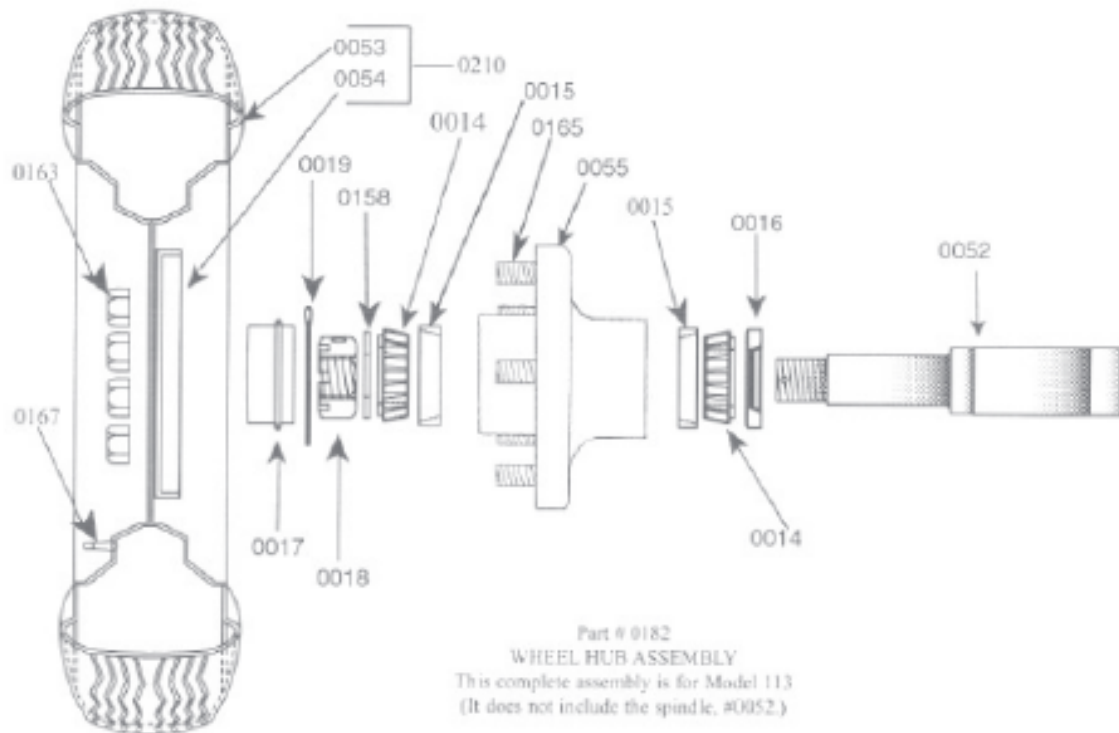
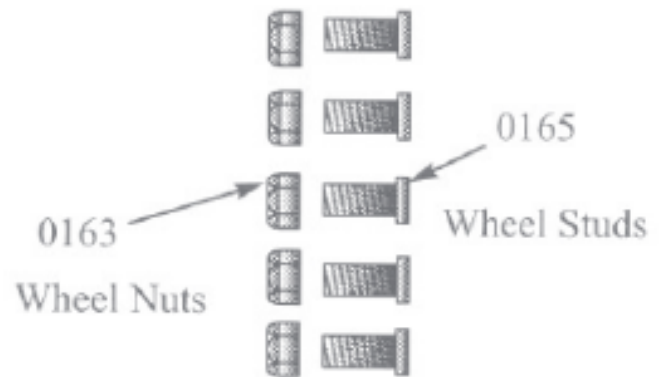


CANOGA® Equipment Model 113

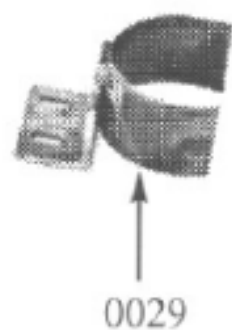
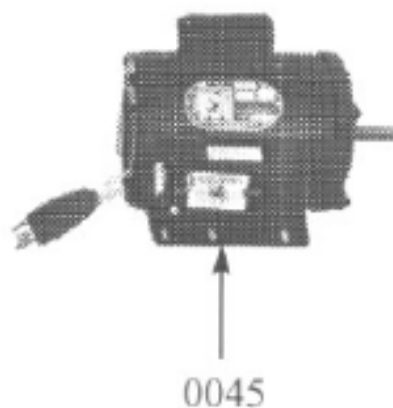
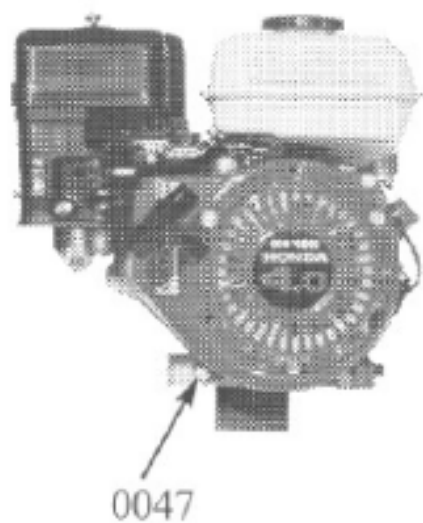
WHEEL-TIRE-AXLE PARTS



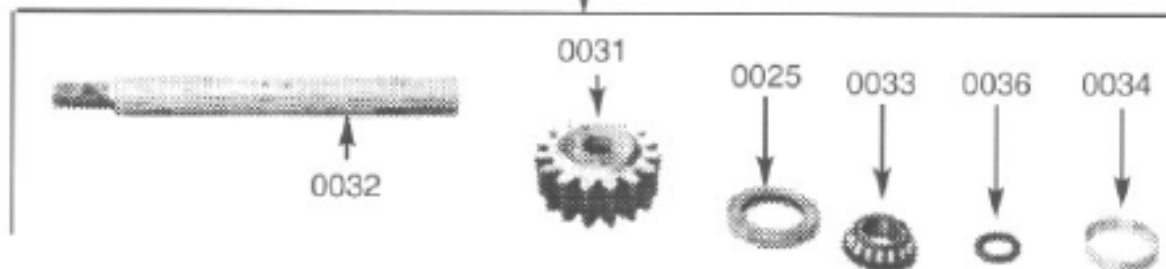
This is a 13" tire ST175/80D13-B on a 5.00 X 13" Wheel. It has 5 lug holes on a 4-1/2" center. The tire and wheel assembly part number is #0210.



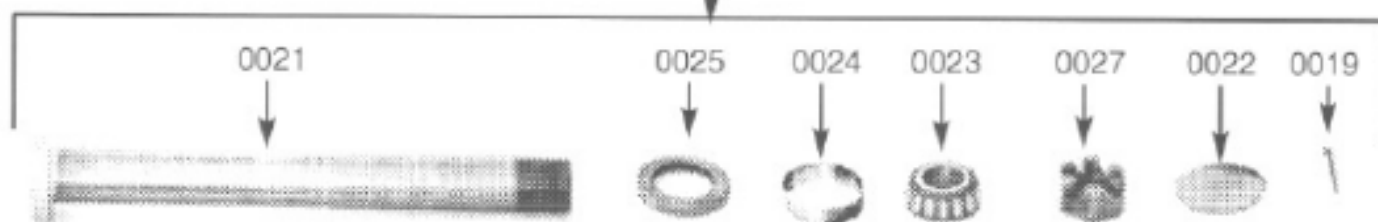
MODEL 113 PARTS



pinion shaft assembly
0030



0020
bowl shaft assembly

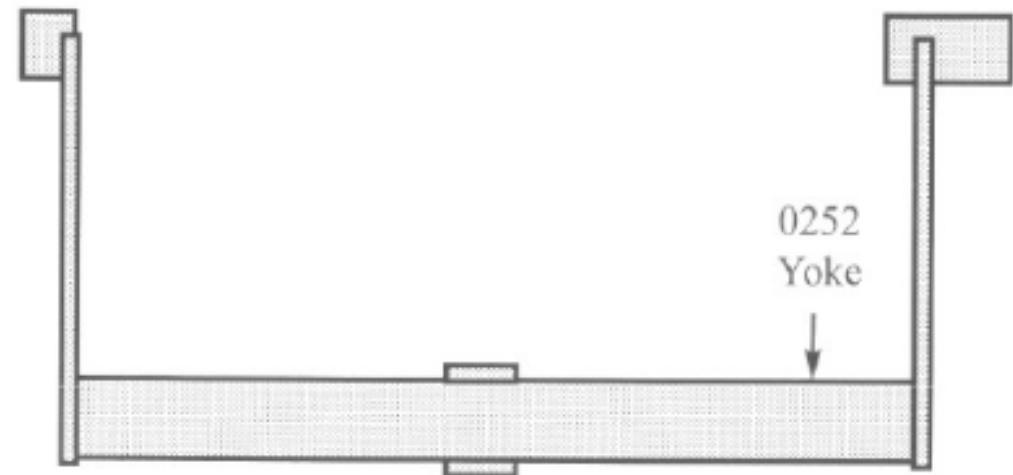
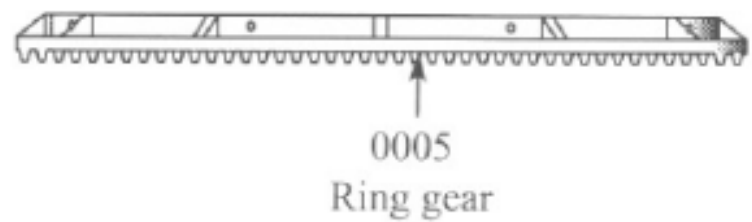
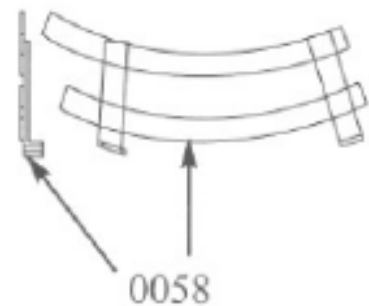
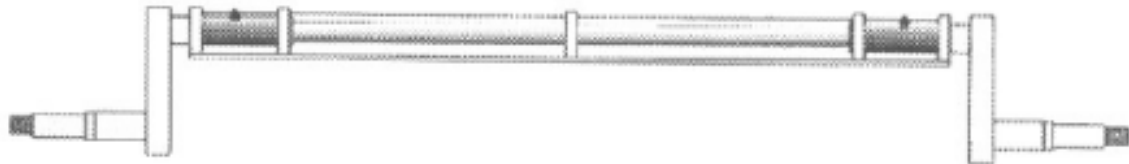


MODEL 113 PARTS

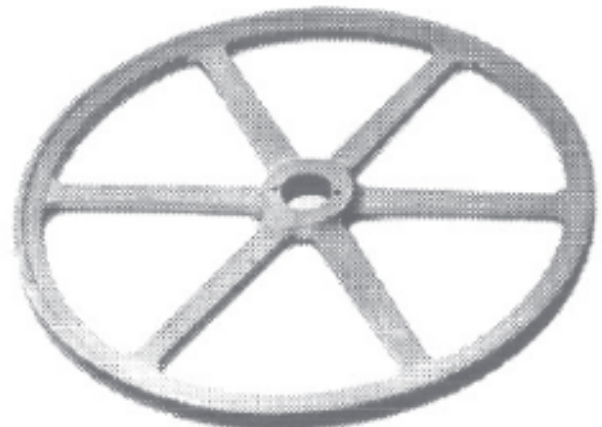
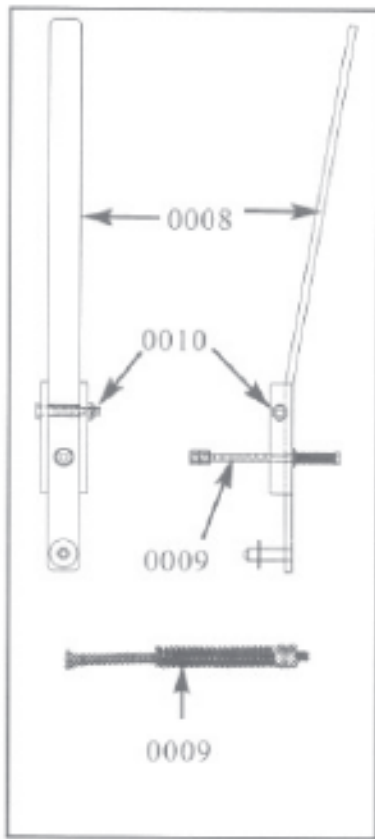
CANOGA® Equipment

“Better Because We Build Them Better!”

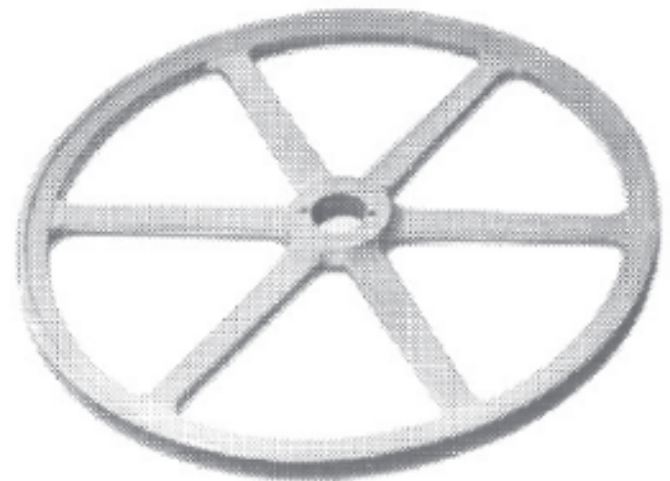
0149 Axle Assembly



MODEL 113 PARTS



0037 15" Single groove pulley for models 100 & 113 with electric motor power



0038 18" single groove pulley for models 100 & 113 with gas power



MODEL 113 PARTS LIST

Part Number	Description	Quantity required	Part Number	Description	Quantity Required
0002	mixing drum (includes paddles)	1	0053	ST175/80D13-B Tire	2
0003	engine enclosure (gasoline powered)	1	0054	wheel 5.00 x 13"	2
0004	engine enclosure (electric powered)	1	0055	wheel hub (steel) assembly	2
0005	ring gear (includes fasteners)	1	0058	mixing paddle	2
0007	dump handle (assembly)	1	0149	axle assembly torsion-bar (small)	1
0008	dump handle (only)	1	0150	owner's parts manuel	1
0009	return spring, bolt & nut assembly for dump handle	1	0151	1 gallon paint (CANOGA® orange)	1
0010	pivot bolt & "self locking" nut for the dump handle	1	0152	chassis gas	1
0014	wheel bearing	4	0156	5/16" quick link	1
0015	wheel race	4	0158	1" spacing washer	1
0016	wheel grease seal	2	0159	toggle switch for electric motor (replacement)	1
0017	wheel dust cap	2	0161	chassis electric	1
0018	axle nut	2	0163	lug nut - small	10
0019	1/8" x 2" cotter pin	3	0165	wheel studs - short	10
0020	bowl shaft assembly	1	0167	valve stem	2
0021	bowl shaft	1	0168	"U"-ground plug 15 amp.	1
0022	2-1/2" expansion plug for the inside of the mixing bowl	1	0169	"Twist Lock" plug 20 amp.	1
0023	bowl shaft bearings	2	0170	cable connector (small)	1
0024	bowl shaft race	2	0172	power cord-3 wire, 14 gauge, 15 inches long	1
0025	grease seal for bowl shaft	1	0173	ring connector	1
0026	1/8" N.P.T, straight grease fitting	6	0174	spade connector-small	1
0027	bowl shaft castle nut	1	0175	spade connector-large	1
0028	bowl shaft set screw & lock nut	1	0176	"U" drive screw (to attach CANOGA® serial tag)	2
0029	pinion gear guard	1	0177	serial tag (not for sale)	1
0030	pinion shaft assembly	1	0178	tank head(26" diameter-3/16" thick) bottom of mixing drum	1
0031	pinion gear	1	0181	slam door latch	1
0032	pinion shaft	1	0184	door hinge (bent) 28" long for gas engine enclosures	1
0033	pinion shaft bearing	2	0188	bolt & lock nut to attach tow tongue to chassis	1
0034	pinion shaft race	2	0206	hitch fork (forged)	1
0035	special 3/4" spacing washer	1	0207	hitch wing nut (cast iron)	1
0036	special 1" spacing washer	1	0210	A78/5.00 x 13" tire & wheel	2
0037	15" single groove driven pulley for electric motor	1	0211	2" ball hitch body to fit 2" pipe for tow tongue	1
0038	18" single groove driven pulley for gas engine	1	0213	rubber latch clamp (door) for gas engine enclosure	1
0039	pulley hub H-1	1	0214	3/8" x 2" hose nozzle ring	1
0040	square drive key 1/4"	1	0216	tow tongue with "drop pin hitch plate"	1
0041	2" drive pulley for electric motor	1	0220	door pull handle (metal) for gas engine enclosure	1
0042	2" drive pulley for gas engines	1	0234	bolt & washer assembly for hitch fork on tow tongue	1
0043	V-belt for electric motor	1	0235	metal pocket for "Owners Manual"	1
0044	V-belt for gas engine	1	0244	5/16" lap link (to attach the safety chain to the chassis)	1
0045	1/2 h.p. electric motor	1	0246	safety chain (1/4"x78" long)	1
0047	4 h.p. Honda Engine	1	0250	door hinge unbent 28" long for electric motor enclosure	1
0048	CANOGA name plate (Not For Sale)	1	0252	yoke assembly	1
0049	housing for bowl shaft and bearings	1	0255	5/16" chain (2 links only) welded to frame	1
0050	yoke nipple	1	0256	ring hitch adapter for "Pintle Hook Hitch"	1
0051	housing for pinion shaft	1	0260	towing tongue for 2" ball hitch (complete)	1
0052	axle spindle	2			

11250-113 - 7-14-04 - P-4