



# PARTS / SERVICE MANUAL

MODELS: CS1, CS2, CSP3



## SAW DEVIL® Concrete Saw Models

A 100% employee-owned American manufacturer

# Table of Contents

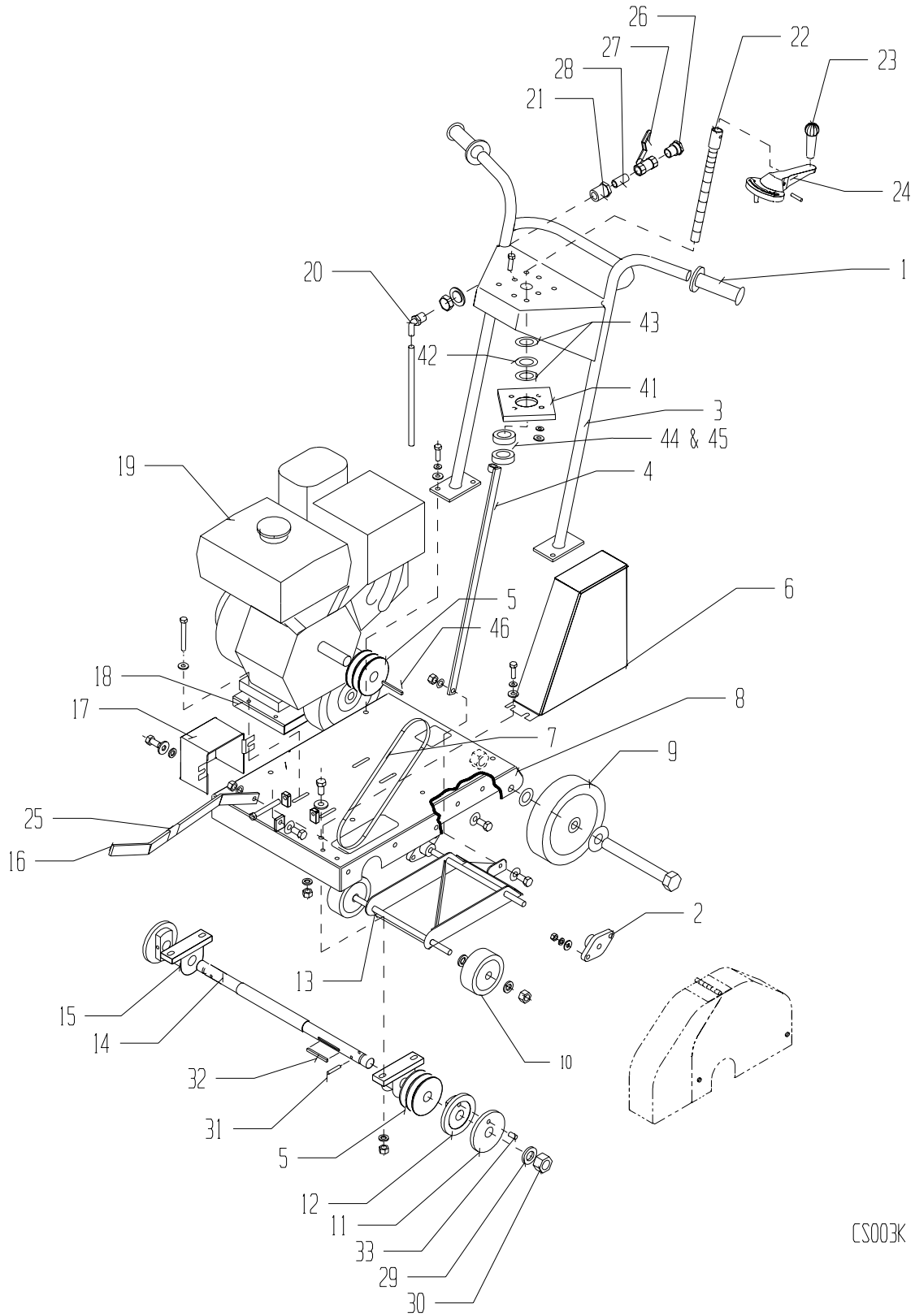
## Concrete Saws

<b>EXPLODED DIAGRAMS &amp; PARTS LIST .....</b>	<b>26-63</b>
<b>CS1 Assembly .....</b>	<b>27-33</b>
<b>CS2 Assembly .....</b>	<b>34-43</b>
<b>CSP3 Console Assembly .....</b>	<b>44-49</b>
<b>CSP3 Base Assembly .....</b>	<b>50-55</b>
<b>Blade Guard Assembly .....</b>	<b>56-57</b>
<b>Water Pump Assembly .....</b>	<b>58-59</b>
<b>Water Tank Option Assembly .....</b>	<b>60-61</b>
<b>Decal Identification .....</b>	<b>62-63</b>

**SPECIAL NOTE:** All metric hardware to be class 8.8 and all imperial hardware to be grade 2 or better.

# PARTS LIST

## CS1 Saw Assembly



CS003K

# PARTS LIST

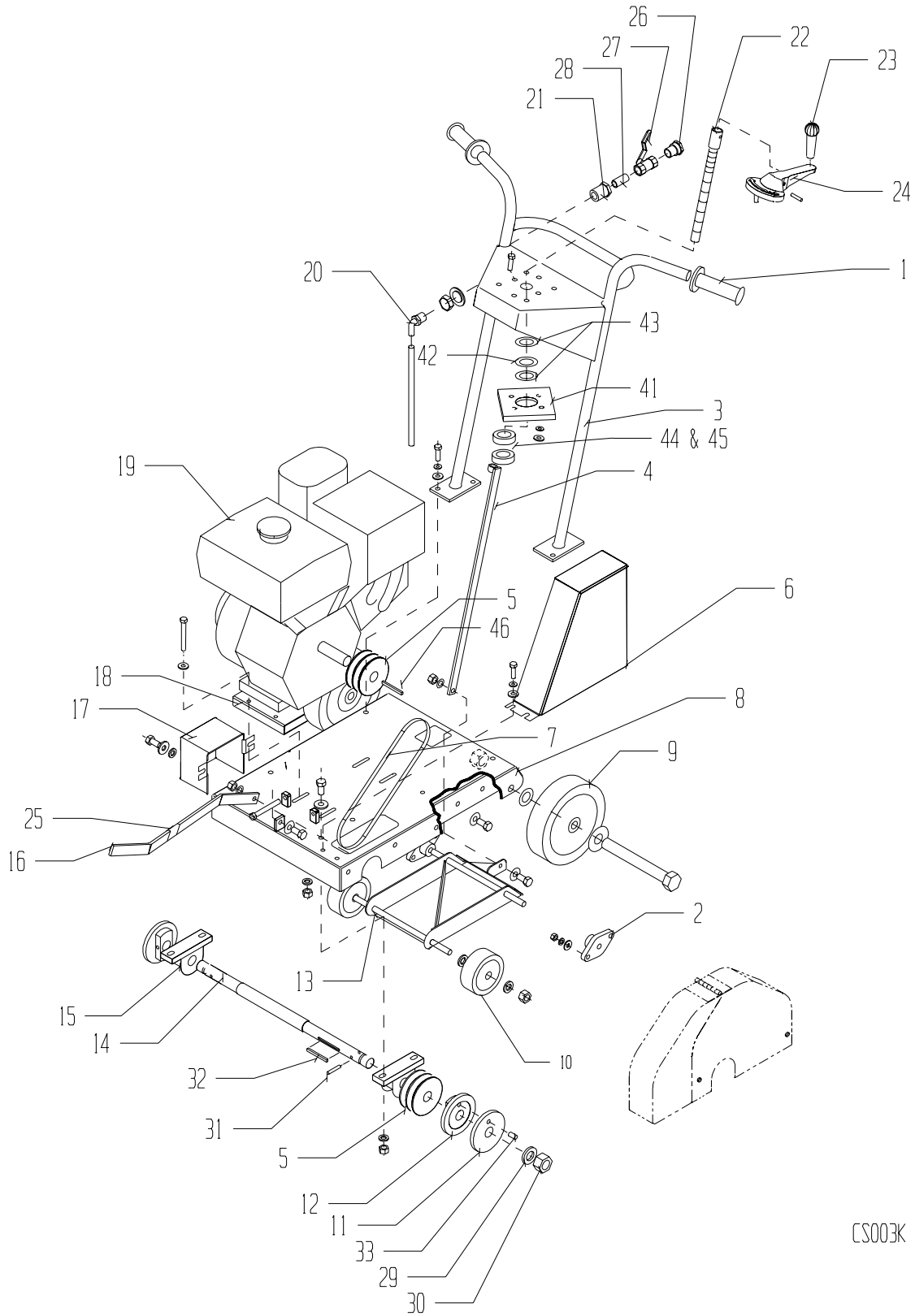
## CS1 Saw Assembly

Item	Part No.	Description	Qty.
1	47125	Hand Grip	2
2	32295	Flange Bearing	2
3	43374-2	Handle Weldment	1
4	43398-2	Tilt Arm Weldment	1
5	39125	Sheave 3.75 OD	2
6	43393-2	Belt Guard Weldment	1
6a	43288-2	Belt Guard Weldment 11 Honda	1
7	39160	V-Belt	2
8	39299-2	Base Weldment	1
9	39163	Rear Wheel	2
10	39106	Front Wheel	2
11	43454-2	Outside Collar Blade	2
12	43437-2	Inside Collar Blade	2
13	39298-2	Tilt Carriage Weldment	1
14	43365	Blade Shaft	1
15	32296	Pillow Block Bearings	2
16	43389-2	Pointer	1
17	43480-2	Shaft Guard	1
18	43476-2	Engine Deck	1
19	30600	Engine 9 hp Robin	1
19a	30160	Engine 8 hp Honda	1
19b	43285	Engine 11 hp Honda	1
19c	30559	Engine 11 hp Honda Cyclone	1
20*	39169	3/8 Hose to 1/2 NPT 90° Fitting	1
21*	39154	Bulk Head 1/2 NPT Fitting	1
22+	43279-2	Adjustment Screw Weldment	1
23+	41036	Tilt Crank Knob	1
24+	41035	Hand Crank	1
25	39524	Bumper Pointer	1
26	46439	Garden Hose Fitting	1
27*	46144	1/2 NPT Ball Valve	1
28*	39142	1/2 NPT Close Nipple	1
29	39158	Washer 1 inch Internal Star	2
30	39157	Nut 1 inch - 14	2
31	39165	5/16 Spring Pin	2
32	80717	Key 1/4x2-3/4	1

Remarks: ^ Not Shown  
\* Components of Item 36  
+ Components of Item 39

# PARTS LIST

## CS1 Saw Assembly



CS003K

# PARTS LIST

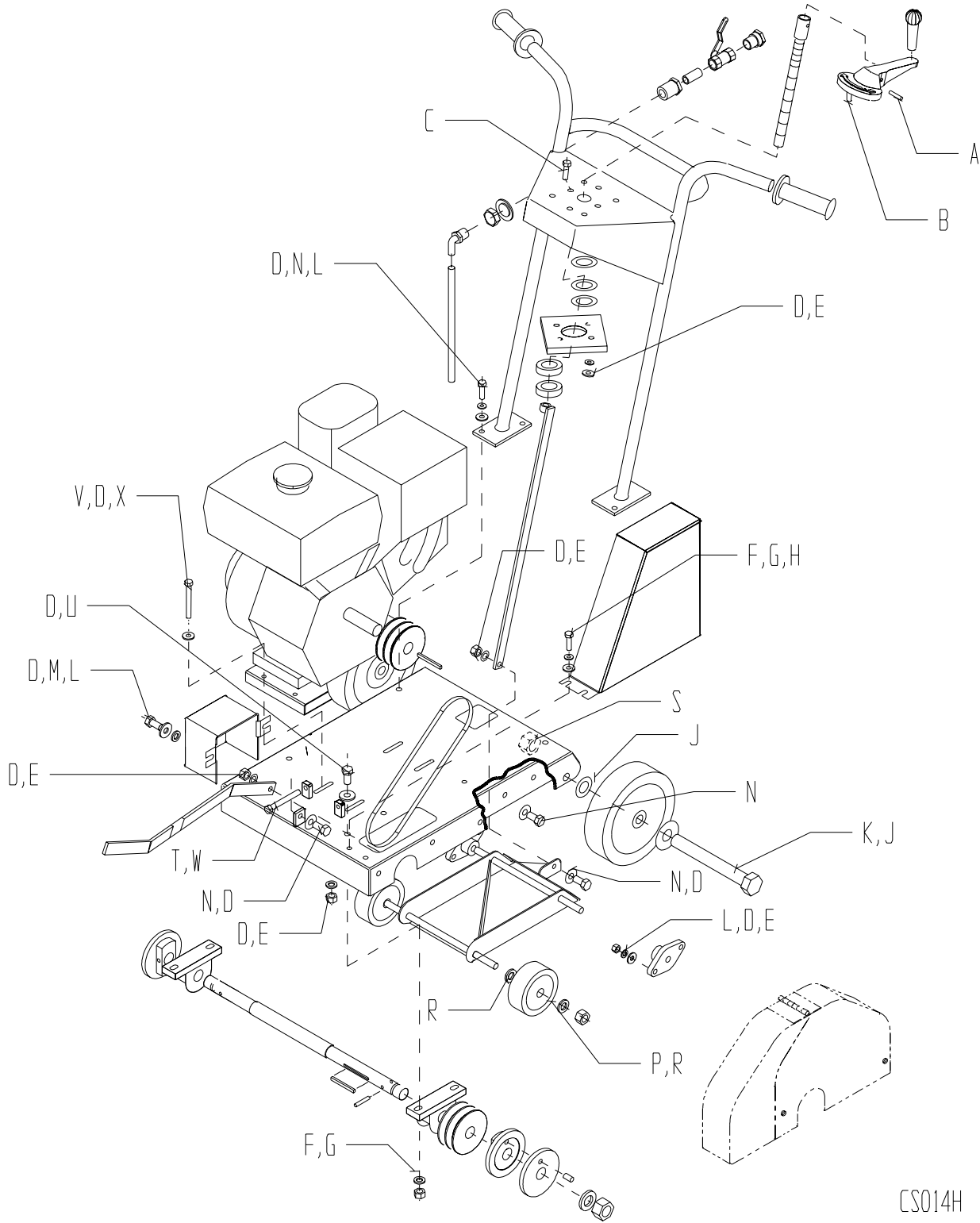
## CS1 Saw Assembly

<b>Item</b>	<b>Part No.</b>	<b>Description</b>	<b>Qty.</b>
33	80773	3/8x1 Dowel Pin	2
34	55279	Decal CSI Console	1
35^	43375-2	Wrench	2
36^	39156	Plumbing Kit	1
37^	39191	Rubber Bumper	3
38^	48356	Hose Clamp	2
39^	23029	Kit Crank Flange Bearing Assembly	1
40^	23045	Kit Plumbing Gas	1
41^	32321	Bearing Housing Thrust	1
42	32322	Thrust Bearing 3/4 Bore	1
43	32323	Thrust Washer 3/4 Bore	2
44	36592	Thrust Bearing Spacer	1
45	36605	Shaft Collar 3/4" ID	1
46	80061	Key 1/4 x 1-1/2 (except 11hp Honda)	1
46a	80100	Key 1/4 x 1 (11hp Honda)	1

Remarks: ^ Not Shown  
\* Components of Item 36  
+ Components of Item 39

# PARTS LIST

## CS1 Saw Assembly



CS014H

# PARTS LIST

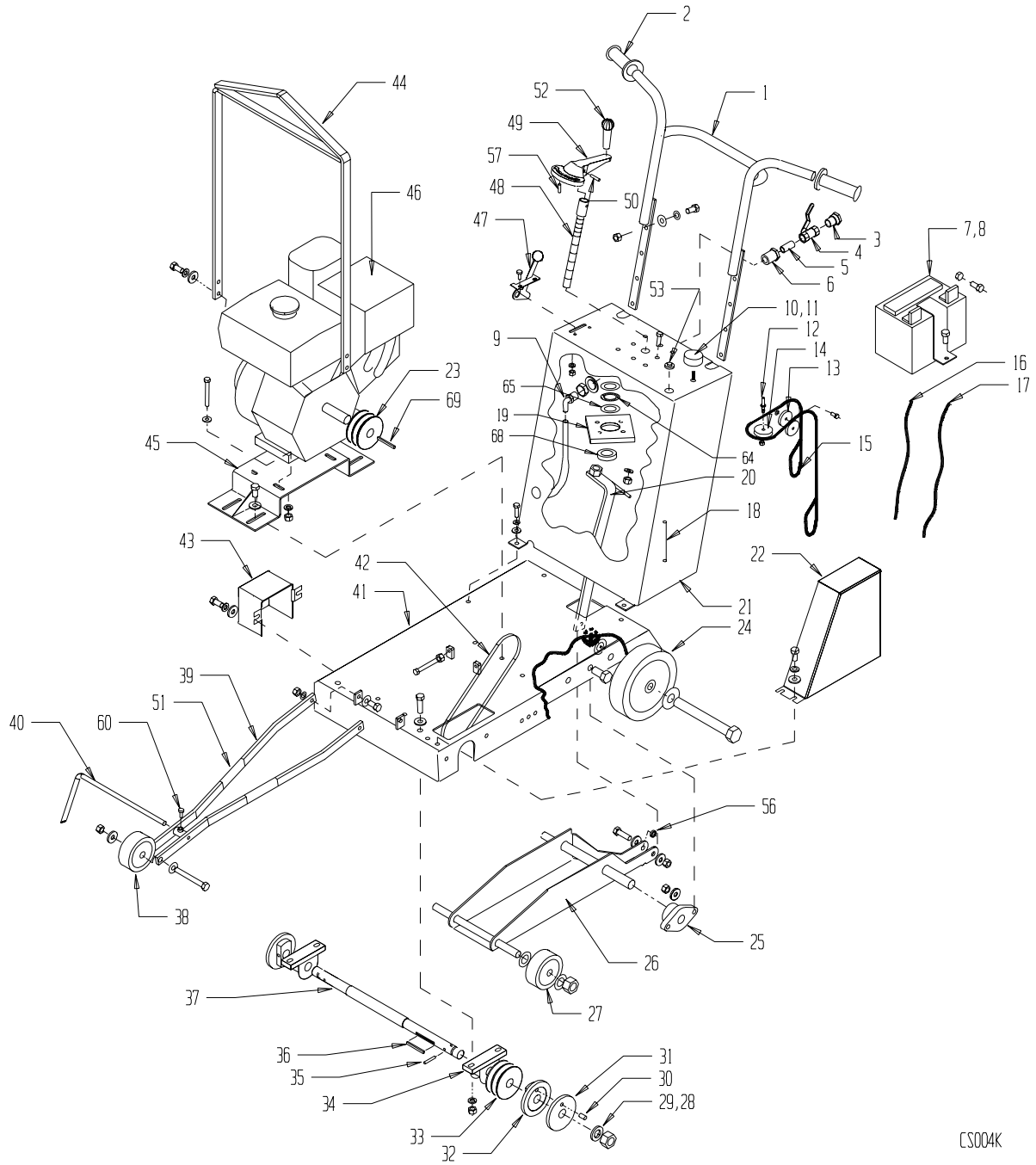
## CS1 Saw Assembly

Item	Part No.	Description	Qty.
A+	80775	PINSP 1/4 x 1-1/4 ZN	1
B+	80557	PINDL 1/4 x 3/4	1
C	80848	BHCS M10-1.5 x 35	4
D	80806	M10 FLAT WASHER (8,11 H)	40
E	80833	M10 NYLOK NUT (8,11H)	18
F	80406	HHCS M8-1.25 x 20	6
G	80812	M8 LOCK WASHER	4
H	80857	M8 FLAT WASHER	6
J	80355	5/8 WASHER	4
K	80768	HHCS 5/8-11 x 6.00 IN	2
L	80804	M10 LOCK WASHER	18
M	80618	HHCS M10-1.5 x 25	3
N	80815	HHCS M10-1.5 x 30	10
P	80051	1/2-13 NYLOK NUT	2
R	80343	1/2 FLAT WASHER	4
S	80082	NUTNY 5/8-11 ZN	2
T	80841	HHCS M10-1.5 x 90	2
U	80838	HHCS M10-1.5 x 50	4
V	80839	HHCS M10-1.5 x 70	4
W	80866	M10-1.5 PLAIN NUT	2
X	80804	M10 LOCK WASHER	4

Remarks: ^ Not Shown  
\* Components of Item 36  
+ Components of Item 39

# PARTS LIST

## CS2 Saw Assembly



CS004K

# PARTS LIST

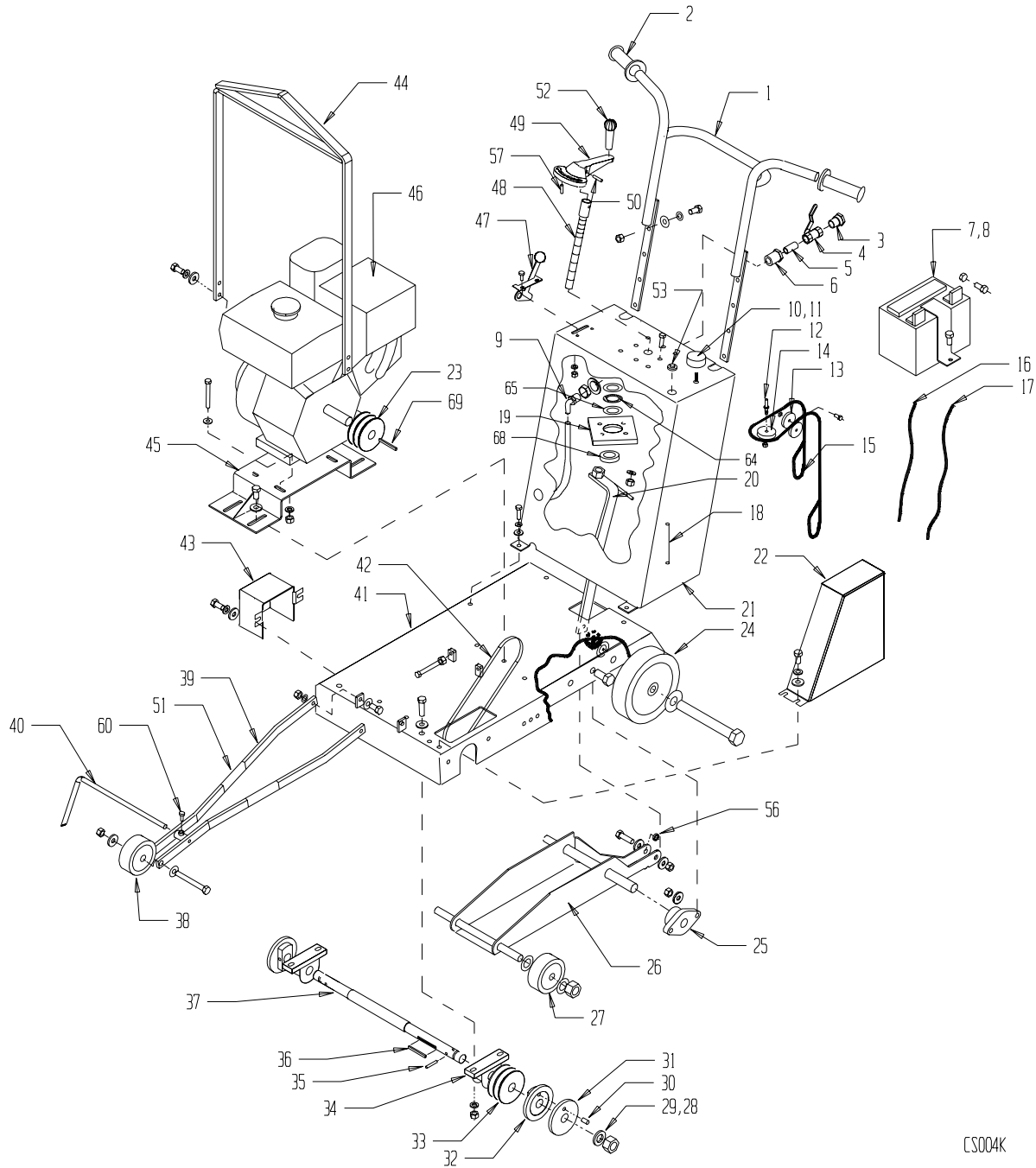
## CS2 Saw Assembly

Item	Part No.	Description	Qty.
1	43459-2	Handle Weld CS2	1
2	47125	Grip Handle	2
3*	46439	Garden Hose Fitting	1
4*	46144	1/2 Npt Ball Valve	1
5*	39142	1/2 Npt Close Nipple	1
6*	39154	1/2 Brass Bulkhead	1
7	35321	Battery 1 Year 165 CC (16 B&S)	1
8	43497-2	Battery Strap (16 B&S)	1
9*	39169	90° ½ Npt (M) X 3/8 In Hose Barb	1
10	39180	Knob Depth Gauge	1
11	39164	Bushing Bronze Depth Gauge	1
12	43362	Shaft Depth Gauge CS2/CSP3	1
13	39118	Pulley A6T9-02808	2
14	39117	Pulley A6M9-03110	1
15	36449	Assy Cable Depth Gauge	1
16	48355	Cable Battery 52 In Red (16 B&S)	1
17	48331	Cable Battery 36 In Black (16 B&S)	1
18	39121	Spring Extension Depth	1
19	32321	Bearing Housing Thrust	1
20	43490-2	Arm Tilt Weld CS2	1
21	43383-2	Weldment Console CS2	1
22	43468-2	Belt Guard Weldment CS2	1
23	39125	Sheave 3.75 OD 2B	1
23a	39168	Sheave 3.75 OD 2B (5 Elec)	1
24	39105	Wheel 8 In Diameter	2
25	32294	Flange Bearing	2
26	43461-2	Weldment Tilt Bracket CS2	1
27	39104	Wheel 4 In Diameter	2
28	39157	Nut Half Height 1in-14	2
29	39158	Washer 1 In Internal Star	2
30	80773	Pindl 3/8 X 1 Hard	2
31	43454-2	Outside Collar	2
32	43437-2	Collar Blade Inside	2
33	39124	Sheave 3.75 OD 2B	1
34	32293	Pillow Block Bearing	2
35	39165	Pinsp 5/16 X 1-1/2 Zn	2

Remarks: ^ Not Shown  
\* Components of Item 66  
+ Components of Item 67

# PARTS LIST

## CS2 Saw Assembly



CS004K

# PARTS LIST

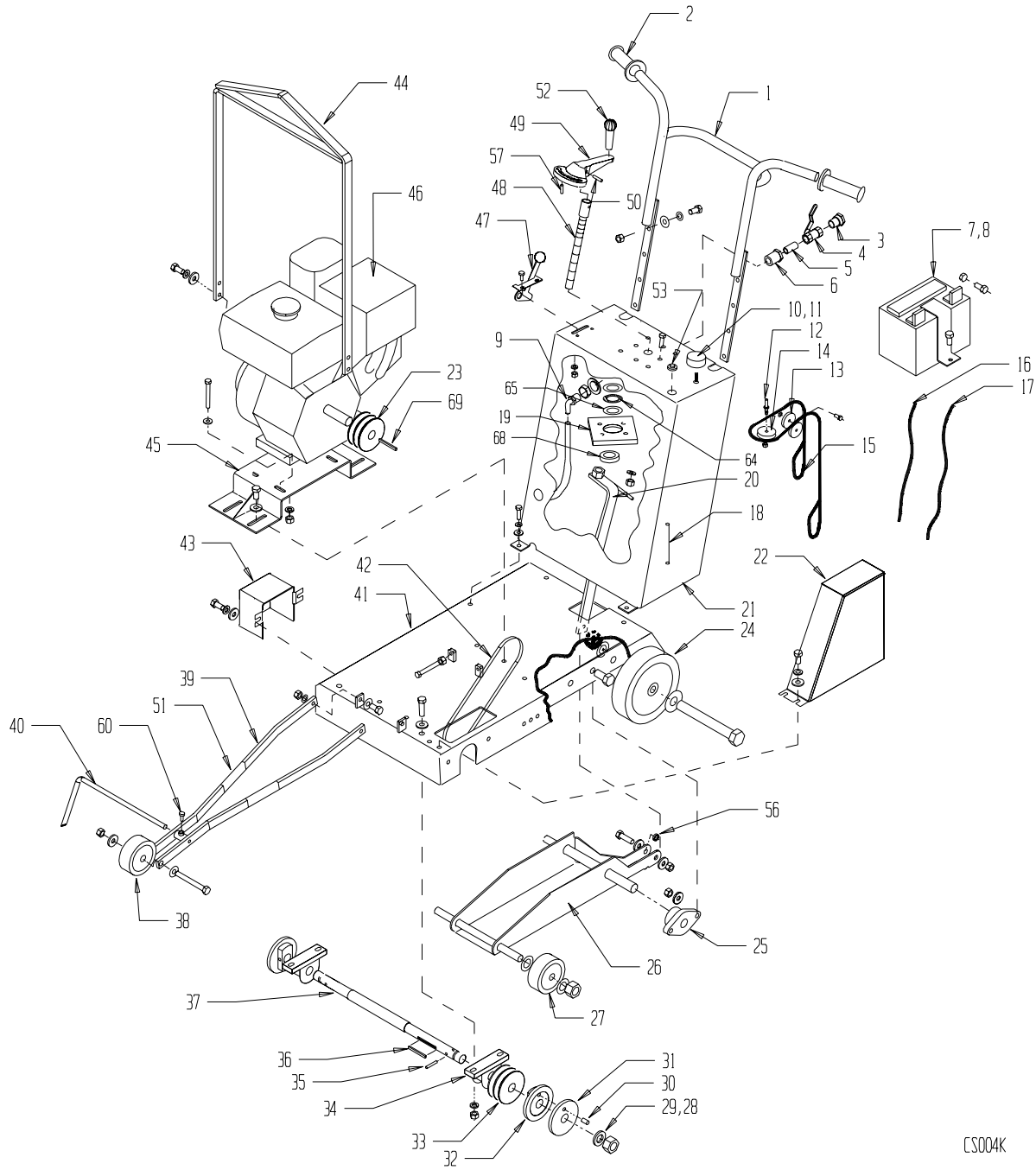
## CS2 Saw Assembly

Item	Part No.	Description	Qty.
36	37717	Key 1/4 X 1/4 X 2-3/16	1
37	43453	Shaft Blade CS2	1
38	39106	Wheel 4 In Diameter (Pointer)	1
39	43494-2	Weld Pointer Front CS2/CSP3	1
40	43489-2	Rod Pointer	2
41	43460-2	Base Weldment CS2	1
42	39159	V-Belt B-33	2
43	43480-2	Guard Shaft All	1
44	43487-2	Weldment Lift Bale CS2	1
45	43329-2	Weldment Motor Deck 9 B&S/5Elec	1
45a	43385-2	Weldment Motor Deck 11,13h/16 B&S	1
46	39136	Engine 9 hp B&S	1
46a	39133	Engine 11 hp Honda Cyclone	1
46b	39131	Engine 13 hp Honda Cyclone	1
46c	39135	Engine 16 hp B&S	1
46d	39137	Engine 5 hp Electric	1
47	39113	Control Throttle	1
48+	43279-2	Weld Adjust Screw All	1
49+	41035	Hand Crank	1
50+	80775	PINSP 1/4 X 1-1/4 ZN	1
51	39524	Bumper Pointer	2
52+	41036	Knob Tilt Crank	1
53	37136	Kill Switch/Plug	1
53a	47377	Kill Switch/Plug 5 Elec	1
54^	43326	Wire Harness Kill Switch (9 B&S, 11/13H)	1
54a	43327	Wire Harness Kill Switch (16 B&S)	1
55^	43375-2	Wrench Saw Blade	2
56	43388-2	Spacer Tilt Arm CS2/CSP3	2
57+	80557	Dowel Pin 1/4 X 3/4	1
58^	55280	Decal CS2 Console	1
59^	36398	Cable Plug ( 5 ELEC)	1
60	80893	THBSC M8 x 20 8.8 ZN	2
61^	48356	Hose Clamp 5/8 OD	2
62^	39191	Rubber Bumper	3

Remarks: ^ Not Shown  
\* Components of Item 66  
+ Components of Item 67

# PARTS LIST

## CS2 Saw Assembly



CS004K

# PARTS LIST

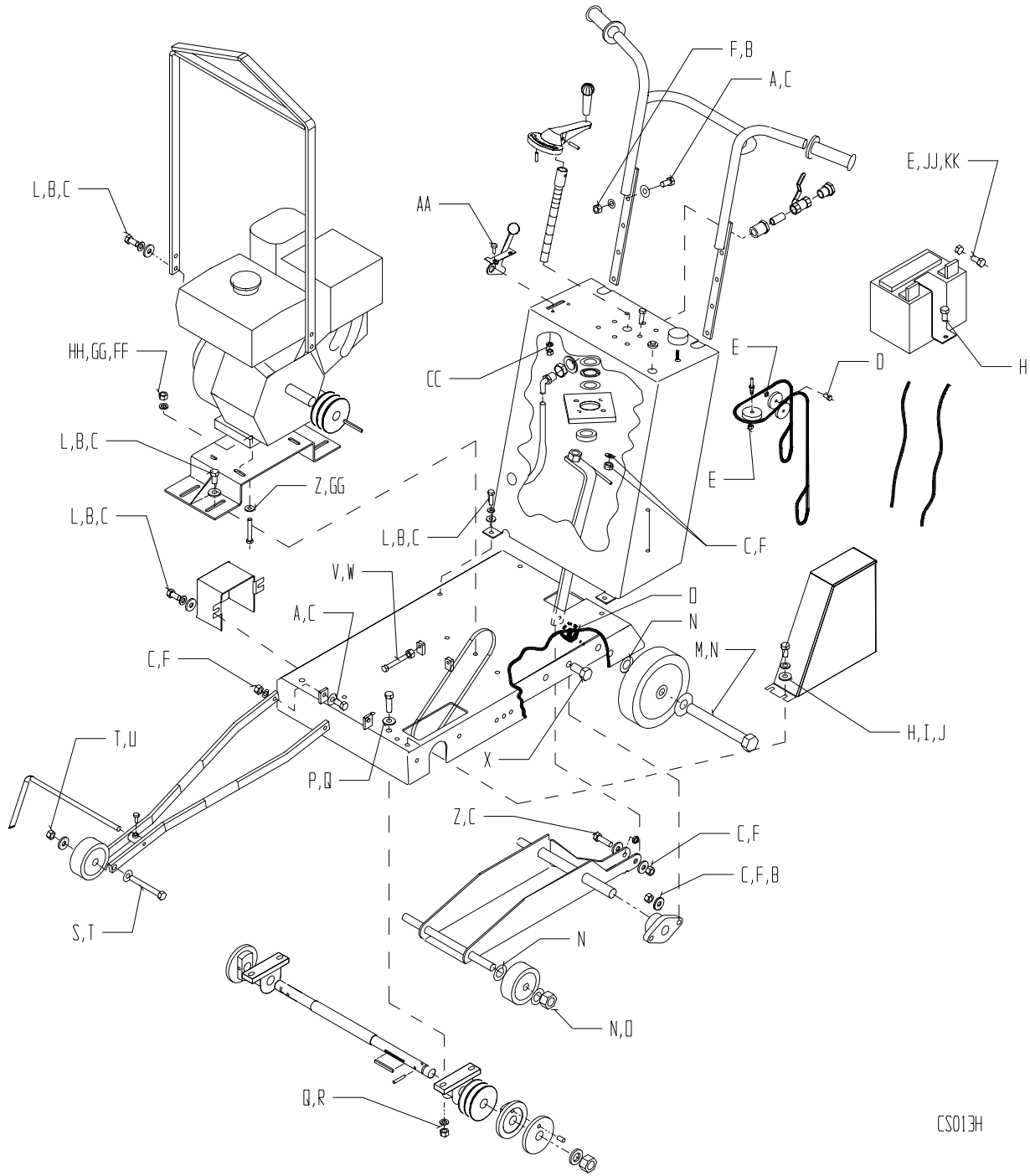
## CS2 Saw Assembly

<b>Item</b>	<b>Part No.</b>	<b>Description</b>	<b>Qty.</b>
63^	39192	Exhaust Deflector (B&S)	1
64	32322	Thrust Bearing 3/4 Bore	1
65	32323	Thrust Washer 3/4 Bore	2
66^	39156	Plumbing Kit	1
67^	23029	Kit Crank Flange Bearing Assy	1
68	36605	Shaft Collar 3/4" ID	1
69	37717	Key 1/4 x 1/4 x 2-3/16 (except 11 Honda)	1
69a	80100	Key 1/4 x 11 ( 11 Honda )	1

Remarks: ^ Not Shown  
\* Components of Item 66  
+ Components of Item 67

# PARTS LIST

## CS2 Saw Assembly



HE103H

# PARTS LIST

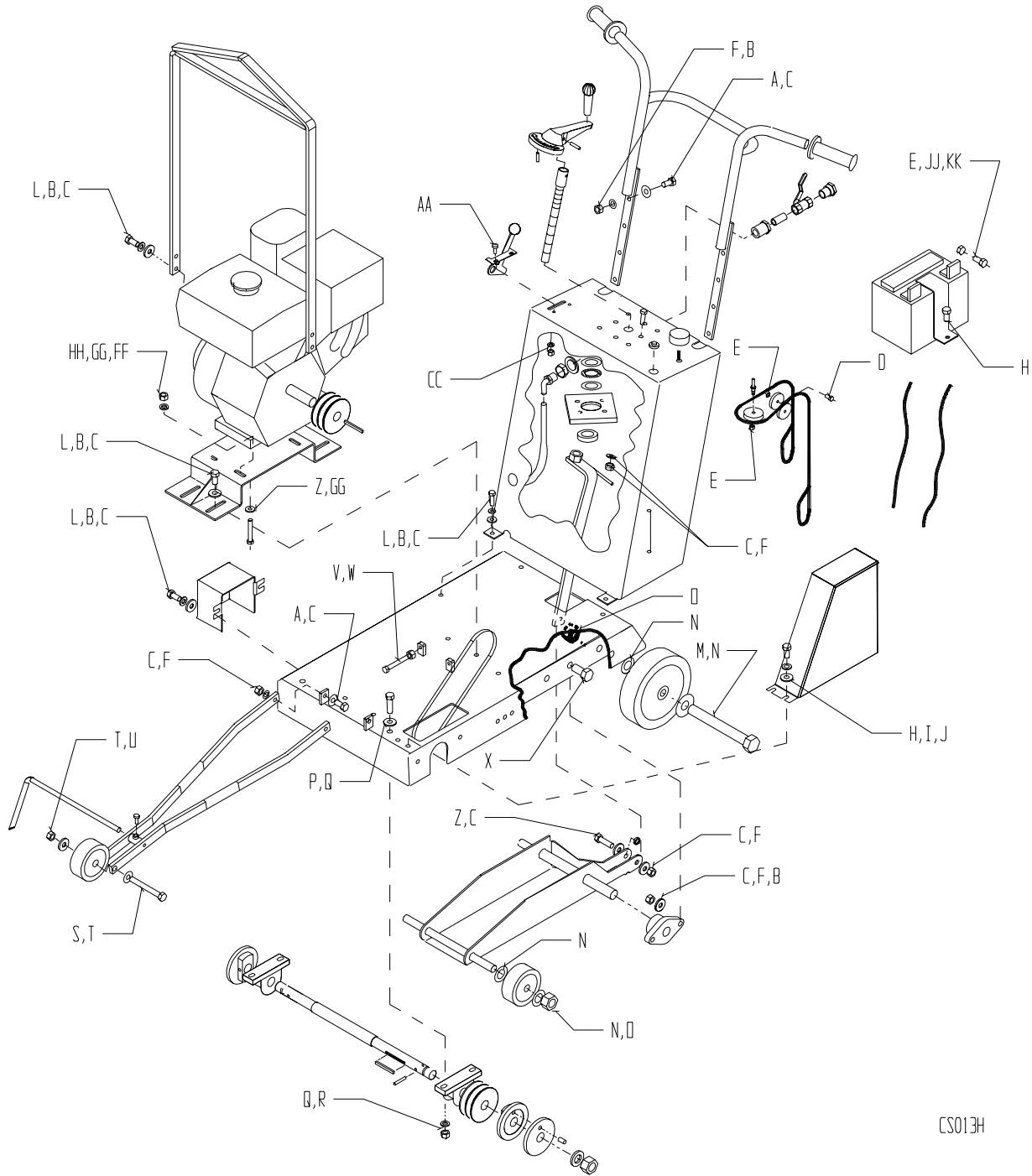
## CS2 Saw Assembly

Item	Part No.	Description	Qty.
A	80815	HHCS M10-1.5X30 8.8 ZN	6
B	80804	M10 Lock Washer (Honda, Elec)	22
C	80806	M10 Flat Washer (Honda, Elec)	30
D	80771	SHSHB 1/4 X 5/8 ZN	2
E	80236	NUTKP 1/4-20 ZN	5
F	80833	NUTNY M10-1.5 ZN	19
G	80848	BHSCS M10 X 1.5 X 35 BN	4
H	80406	HHCS M8-1.25 X 20 ZN	7
I	80857	WASHER M8 X 16 FLAT ZN	4
J	80812	WSHRL M8 X 14.8 ZN	4
K	80236	NUTKP 1/4 x 20 ZN	2
L	80618	HHCS M10-1.50 X 25MM ZN	14
M	80767	HHCS 3/4-10 X 7-1/2 ZN	2
N	80344	WASHER 3/4 SAE ZN PL	8
O	80769	NUTNY 3/4-10 ZN	4
P	80844	HHCS M12 X 1.75 X 50 ZN	4
Q	80807	WASHER M12 X 24 FLAT ZN	8
R	80830	NUTNY M12-1.75 ZN	4
S	80196	HHCS 1/2-13 X 3-1/2 ZN	1
T	80343	WASHER 1/2 SAE ZN PL	2
U	80051	NUTNY 1/2-13 21N6813 ZN	1
V	80841	HHCS M10 X 1.5 X 90 ZN	2
W	80866	NUTFX M10-1.5 ZN	2
X	80837	HHCS M10 X 1.5 X 40 ZN	4
Z	80839	HHCS M10 X 1.5 X 70 ZN	1
Z1	80838	HHCS M10 -1.5 X 50 ZN (Honda)	4
Z2	80883	HHCS M8-X 1.25 X 50 ZN (B&S)	4
Z3	80815	HHCS M10 - 1.5 X 30 ZN (Elec)	4
AA	80847	BHSCS M6 X 1 X 20 BN19	2
CC	80851	NUTNY M6 X 1 ZN BN161	2
FF	80812	M8 SPLIT WASHER (B&S)	4
FF1	80804	M10 SPLIT WASHER (Honda,Elec)	4
GG	80857	M8 Flat Washer (B&S)	8
GG1	80806	M10 Flat Washer (Honda,Elec)	8

Remarks:

# PARTS LIST

## CS2 Saw Assembly



HE103H

# PARTS LIST

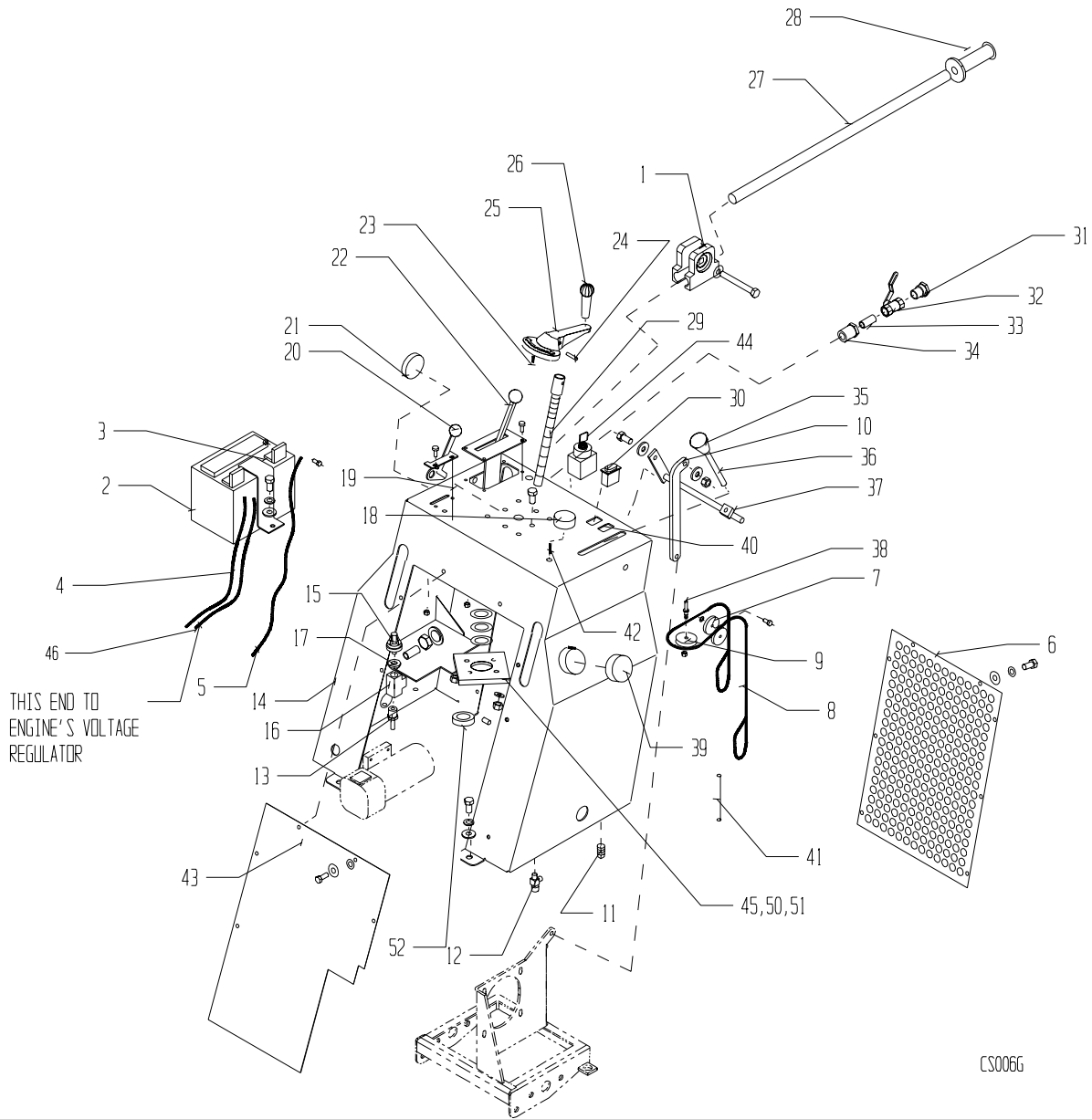
## CS2 Saw Assembly

<b>Item</b>	<b>Part No.</b>	<b>Description</b>	<b>Qty.</b>
HH	80817	M8-1.25 Nylok Nut (B&S)	4
HH1	80833	M10-1.5 Nylok Nut (Honda, Elec)	4
JJ	80354	HHCS 1/4-20 X 1.00 IN	2
KK	80571	WSHR FLAT 1/4	4

Remarks:

# PARTS LIST

## CSP3 Console Assembly



# PARTS LIST

## CSP3 Console Assembly

Item	Part No.	Description	Qty.
1	43426	Pivot tube handle	4
2	35321	Battery 1 year, 165CC (16B&S, 18/20H)	1
3	43497	Strap, battery hold down (16B&S, 18/20H)	1
4	48331	Cable battery 36", black (16B&S, 18/20H)	1
5	48355	Cable battery 52", red (16B&S,18/20H)	1
6	43381-2	Guard-rear cowl	1
7	39118	Pulley A6T9-02808	2
8	36450	Assy cable depth gauge	1
9	39117	Pulley A6M9-03110	1
10	43414-2	Linkage engagement	1
11	38147	Plug 1/8 npt	1
12	46009	Petcock valve & strainer/plug	1
13	39141	Barb hose 1/2 x 3/8	1
14	43499-2	Console weldment	1
15	39126	Switch pressure	1
16	39143	1/2 brass pipe tee	1
17	39144	1/2x1/8 brass reducer	1
18	39180	Knob depth gauge	1
19	35456	Choke Control (16 B&S, 18/20 Honda)	1
19a	47376	Hole Plug (13 Honda)	1
20	39113	Control throttle	1
21	37169	Knob round 2-3/8 blk	2
22	39114	Quadrant control	1
23*	80557	1/4 x 3/4 dowel pin	1
24*	80775	1/4 x 1-1/4 spring pin	1
25*	41035-2	Hand crank	1
26*	41036	Knob tilt crank	1
27	43430	Handle tube	2
28	47125	Grip handle 1" rubber	2
29	43279	Adjustment screw weld	1
30	38562	Switch rocker on/off	1
31	46439	Garden hose fitting	1
32	46144	1/2 ball valve	1
33	39142	1/2 close nipple	2
34	39154	1/2 npt brass bulkhead	1
35	47298	Knob ranger	1

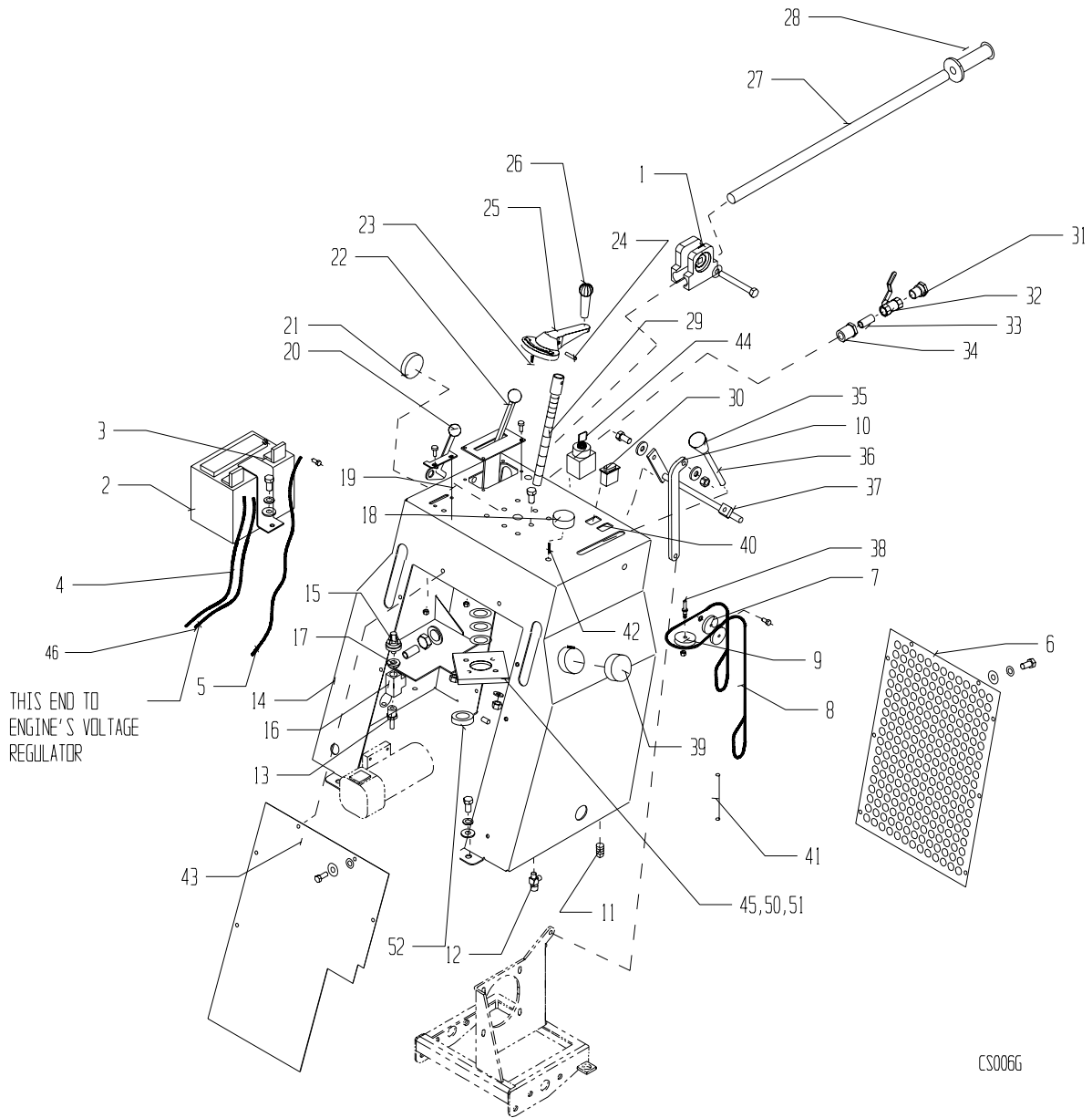
**Remarks:**

^ Not Shown

\* Components of Item 46

# PARTS LIST

## CSP3 Console Assembly



# PARTS LIST

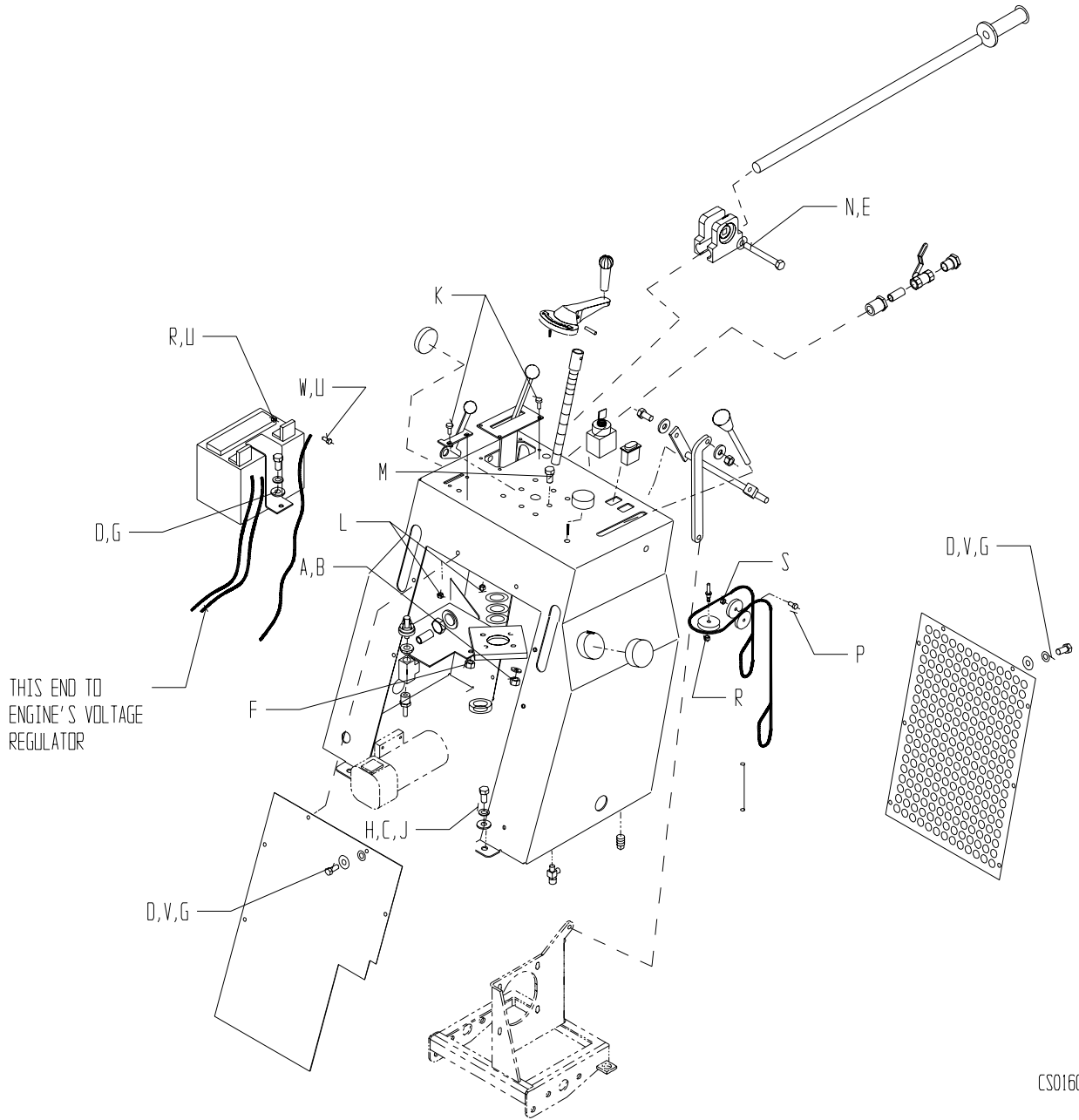
## CSP3 Console Assembly

Item	Part No.	Description	Qty.
36	42135	Drive lever	1
37	43434-2	Weld engagement linkage	1
38	43362	Shaft depth gauge	1
39	46059	Cap fuel & water	1
40	39116	Switch blank (less water pump)	1
41	39121	Spring extension depth gauge	1
42	39164	Bushing bronze depth gauge	1
43	43318-2	Panel front (13H)	1
43a	43491-2	Panel front	1
44	47377	Hole Plug (13H)	1
44a	31276	Ignition switch (18/20H)	-
44b	46363	Key ignition switch	-
44c	36399	Fuse 25A ignition	-
45	32321	Bearing housing thrust	1
46^	23029	Kit crank acme assy	1
47^	55281	Decal console	1
48^	48356	5/8 OD hose clamps	4
49^	39191	Rubber bumper	3
50	32322	Thrust bearing 3/4 bore	1
51	32323	Thrust washer 3/4 bore	2
52	36605	Shaft Collar 3/4" ID	1

Remarks: ^ Not Shown  
\* Components of 46

# PARTS LIST

## CSP3 Console Assembly



# PARTS LIST

## CSP3 Console Assembly

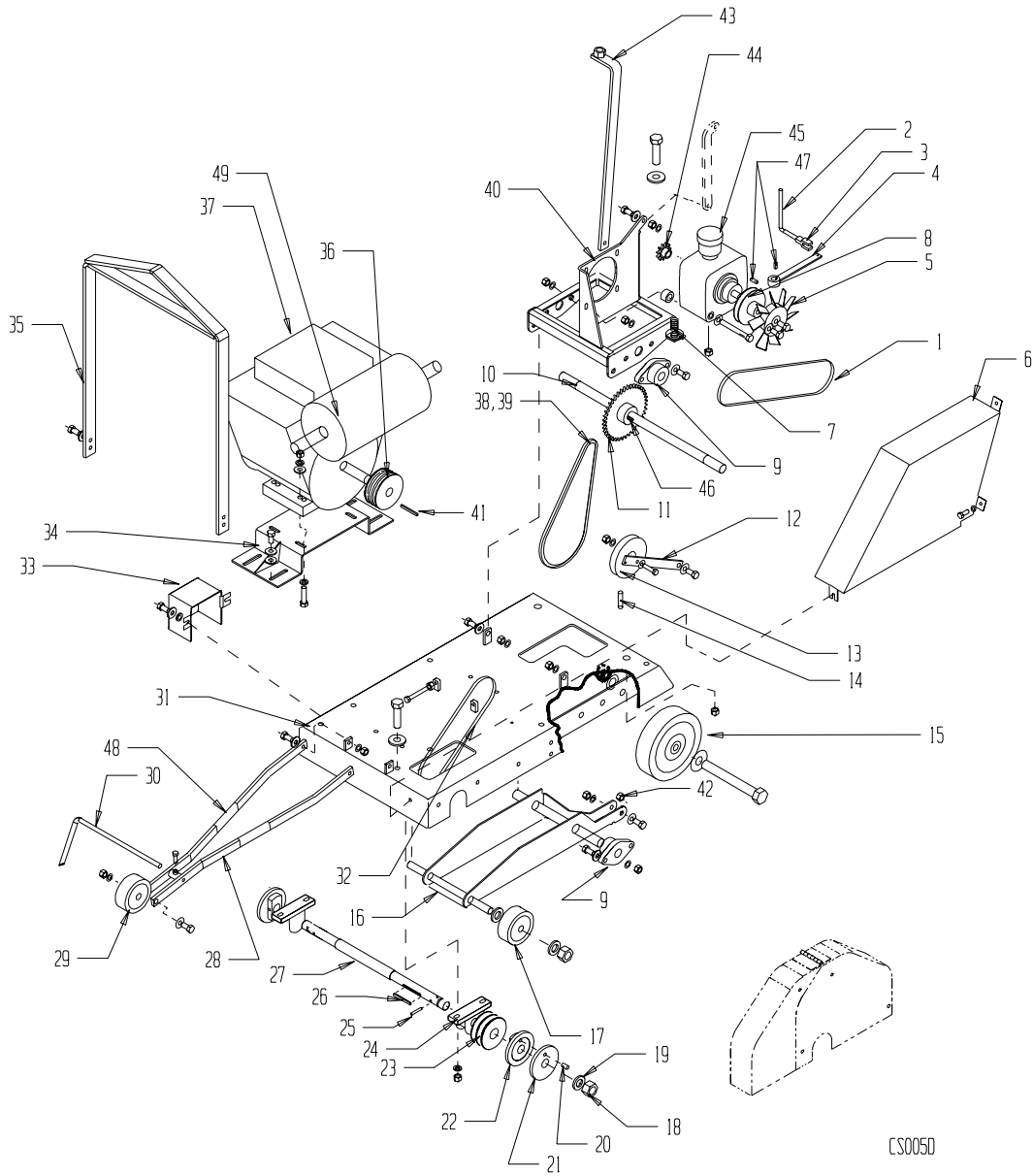
Item	Part No.	Description	Qty.
A	80806	Washer M10 x 20 Flat	10
B	80833	M10-1.4 NYLOK Nut	5
C	80807	Washer M12 x 24 Flat	2
D	80406	HHCS M8-1.25 x 20	15
E	80343	Washer 1/2 Flat	2
G	80857	Washer M8 x 16 Flat	15
H	80843	HHCS M12-1.75 x 30	4
J	80805	Washer M12 x 20 Flat	2
K	80847	BHSCS M6-1 x 12	6
L	80851	M6-1 NYLOK Nut	6
M	80848	BHSCS M10-1.5 x 35	4
N	80770	CRBLT 1/2-13 x 2IN	2
P	80771	SHSHB 1/4 x 5/8IN	2
R	80236	NutKP 1/4-20	3
S	80693	#10-24 NYLOK Nut	2
T	80830	Nut M12-1.75 NYLOK	2
U	80571	Washer M8 x 16 Flat	4
V	80812	Washer M8 x 14.8 Lock	15
W	80354	HHCS 1/4-20 x 1 GR5	2
X^	80847	BHSCS M6-1 x 12 (18/20H)	2
Y^	80315	Cotter Pin 3/16 x 2 ZN	1

Remarks:

^ Not Shown

# PARTS LIST

## CSP3 Base Assembly



CS005D

# PARTS LIST

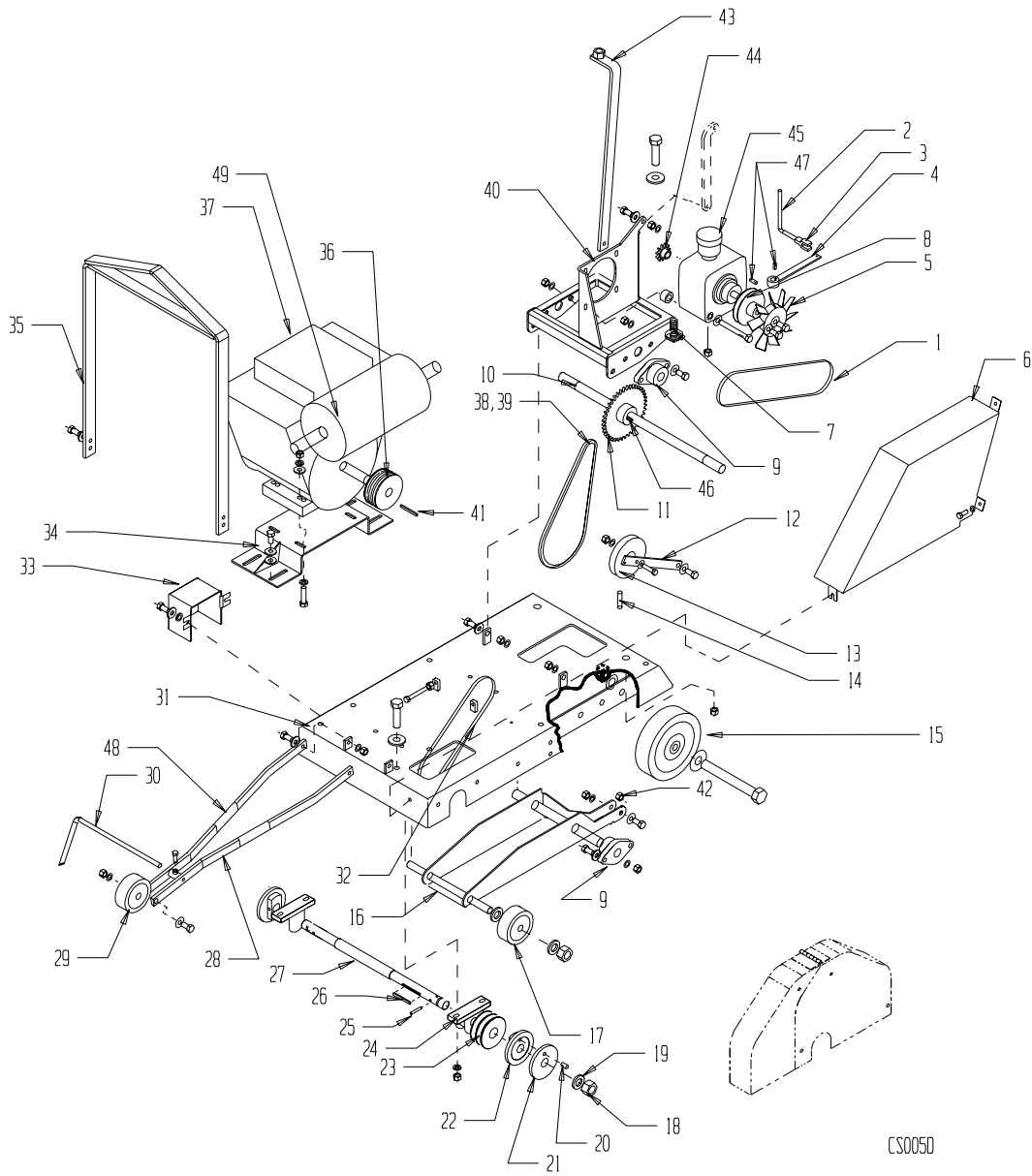
## CSP3 Base Assembly

Item	Part No.	Description	Qty.
1	39176	V-Belt A-48 (13HP HONDA)	1
1a	35277	V-Belt A-45 (16 HP B&S, 18/20HP HONDA)	1
2	39115	Cable Control For/Rev	1
3	39166	Clevis	1
4	43322-2	Shifter Bar Weld	1
5	36678	7" Dia. Fan, CW Rotation	1
6	43320-2	Belt Guard Weldment (13HP HONDA)	1
6a	43465-2	Belt Guard Weldment (16HP B&S,18/20HP HONDA)	1
7	39120	Spring, Compression	2
8	39101	Pulley	1
9	32294	Flange Bearing	4
10	39363	Shaft Drive	1
11	39107	Sprocket 40b40, 1" Bore	1
12	43441	Idler Arm	1
13	35203	Vee-Idler Pulley	1
14	38207	Spring, Extension	1
15	39105	Wheel 8" Dia.	2
16	43444-2	Tilt Bracket Weldment	1
17	39104	Wheel 4" Dia.	2
18	39157	Nut 1"-14 Half Height	2
19	39158	Washer 1" Internal Star	2
20	80773	Pin 3/8 X 1"	2
21	43454-2	Collar Outside Universal	2
22	43437-2	Collar Inside	2
23	39123	Sheave 3.75, 3b, 1-1/4 Bore	1
24	32293	Pillow Block Bearing	2
25	39165	5/16 X 1-1/2 Spring Pin	2
26	80717	Square Key .25 X 2.75	1
27	43436	Blade, Shaft	1
28	43494-2	Pointer Bar Weld	1
29	39106	Wheel 4" Dia., Pointer	1
30	43489-2	Pointer Rod	2
31	43406-2	Base Weld	1
32	39112	V-Belt B34 (13HP HONDA)	3
32a	39159	V-Belt B33 (16HP B&S, 18/20HP HONDA)	3

Remarks: ^Not Shown

# PARTS LIST

## CSP3 Base Assembly



CS005D

# PARTS LIST

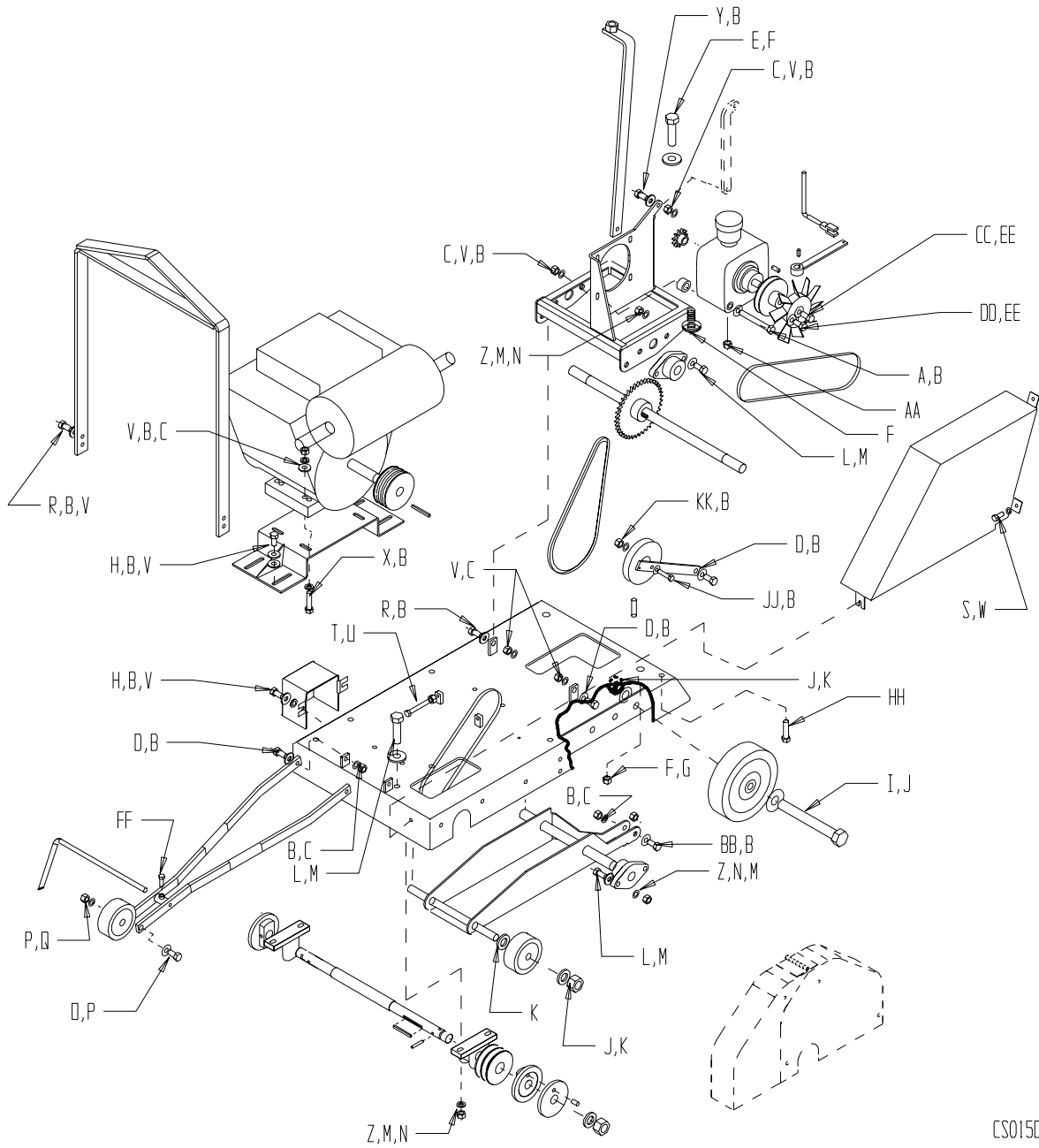
## CSP3 Base Assembly

Item	Part No.	Description	Qty.
33	43480-2	Shaft Guard	1
34	43385-2	Motor Deck Weld (13 Honda)	1
34a	43447-2	Motor Deck Weld (16 B&S, 18/20 Honda)	1
35	43450-2	Lift Bale Weld	1
36	39103	Sheave, Engine (13 Honda, 16 B&S)	1
36a	39102	Sheave, Engine (18/20 Honda)	1
36b	39210	Sheave, Engine (20" Guard, Honda)	1
36c	39211	Sheave, Engine (20" Guard, HP B&S)	1
37	39131	Engine, 13hp Honda	1
37a	39134	Engine, 16hp B&S	1
37b	39129	Engine, 18hp Honda	1
37c	37114	Engine, 20hp Honda	1
38	39109	Chain RC40	2.5ft
39	39111	Link, Connecting No.40	1
40	43413-2	Transmission Brkt Weld	1
41	80717	Key Square, Engine	1
42	43388-2	Spacer, Tilt Arm	2
43	43445-2	Tilt Adjust Weldment	1
44	39108	Sprocket, 40b11, .670 Bore	1
45	39100	Pump, Transmission, Model 6	1
46	80100	Key Square 1/4 X 1, Class 1	1
47	80774	Key Woodruff .404 Hard	3
48	39524	Bumper, Pointer	2
49	39193	Exhaust (13 Honda)	1
49a	39138	Exhaust (18 Honda)	1
49b	37115	Exhaust (20 Honda)	1
50^	39140	Plumbing Kit	1
51^	38856	Fuel Filter (18/20 Honda)	1
52^	43315-2	Spacer, Transmission (13 Honda)	4
53^	39191	Rubber Bumper	3
54^	43310	Wire Harness (13 Honda)	1
54a^	43395	Wire Harness (16 Honda)	1
54b^	43394	Wire Harness (18 Honda)	1
54c^	37110	Wire Harness (20 Honda)	1

Remarks: ^NOT SHOWN

# PARTS LIST

## CSP3 Base Assembly



CS0150

# PARTS LIST

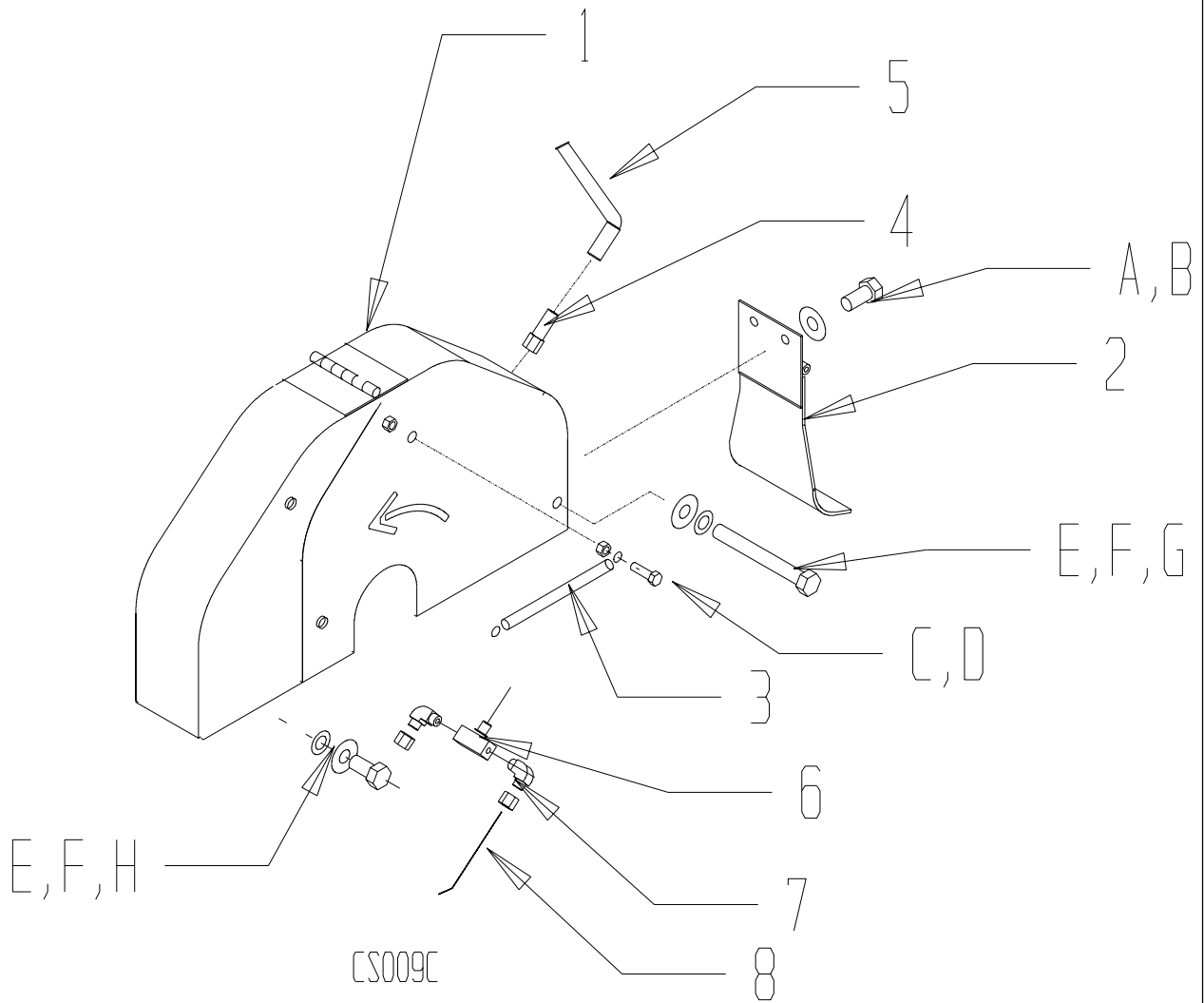
## CSP3 Base Assembly

Item	Part No.	Description	Qty.
A	80840	HHCS M10-1.5 x 80 (EXCEPT 13H)	4
A1	80842	HHCS M10-1.5 x 100 (13H)	4
B	80806	WASHER M10 x 20 FLAT	34
B1	80812	WASHER M8 x 14.8 FLAT	4
C	80833	NUT M10-1.5 NYLOK	12
D	80837	HHCS M10-1.5 x 40	4
E	80845	HHCS M16-2 x 160	2
F	80858	WASHER M16 x 30 FLAT	4
G	80852	NUT M16-2 NYLOK	2
H	80618	HHCS M10-1.5 x 25	8
I	80767	HHCS 3/4-10 x 7-1/2IN	2
J	80344	WASHER 3/4 FLAT	8
K	80769	NUT 3/4-10 NYLOK	4
L	80844	HHCS M12-1.75 x 50	12
M	80807	WASHER M12 x 24	24
N	80830	NUT M12-1.75 NYLOK	12
O	80196	HHCS 1/2-13 x 3-1/2IN	1
P	80343	WASHER 1/2 FLAT	2
Q	80051	NUT 1/2-13 NYLOK	1
R	80815	HHCS M10-1.5 x 30	6
S	80406	HHCS M8-1.25 x 20	3
T	80841	HHCS M10-1.5 x 90	2
U	80866	NUTFX M10-1.5	2
V	80804	WASHER M10 x 18., LOCK	18
W	80812	WASHER M8 x 14.8 FLAT	3
X	80838	HHCS M10-1.5 x 50 (13/16/20H)	4
X1	80883	HHCS M8-1.25 x 50 (16B&S)	4
Y	80849	SHSHB M8-1.24 x 20	1
Z	80805	WASHER M12 x 20 FLAT	12
AA	80056	NUT 3/8-16 NYLOK	1
BB	80839	HHCS M10-1.5 x 70	1
CC	80722	HHCS 1/4-20 x 1/2	1
DD	80776	SHCS 1/4-28 x 1/2	4
EE	80571	WASHER 1/4 FLAT	5
FF	80893	THUMB SCREW	2
HH	80843	HHCS M12-1.75 x 30	2
JJ	80124	SHSHB 3/8-16 x 1IN	1
KK	80114	NUT 5/16-18 NYLOK	1
LL^	80315	COTTER PIN 3/16 x 2 ZN	1

Remarks: ^ Not Shown

# PARTS LIST

## Blade Guard Assembly



# PARTS LIST

## Blade Guard Assembly

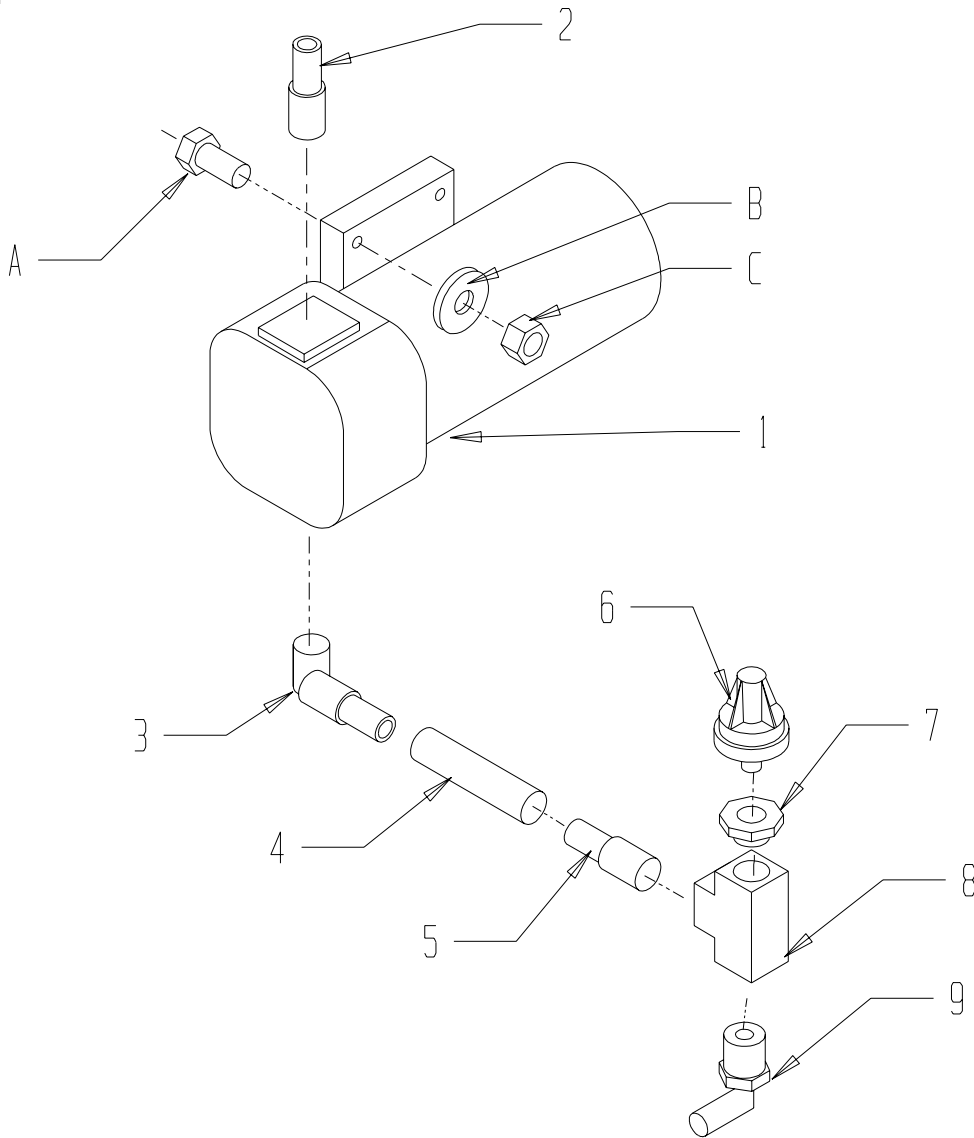
Item	Part No.	Description	Qty.
1*	43358-2	Blade Guard Weld 14"	1
1a*	43359-2	Blade Guard Weld 16"	1
1b*	43484-2	Blade Guard Weld 18"	1
1c*	43309-2	Blade Guard Weld 20"	1
2*	43429	Splash Guard	1
3*	39110	Extension Spring	2
4*	39147	Hose Barb 1/8 x 3/8	1
5	39150	3/8 Nylon Braid Hose	4.5 SF
6*	39148	1/8 Branch Tee	1
7*	39149	1/8 90 ° Compression Fitting	2
8*	39170	Water Tubing 14" Guard	2
8a*	39171	Water Tubing 16" Guard	2
8b*	39152	Water Tubing 18/20" Guard	2
9^	23000	Kit Blade Guard 14"	1
9a^	23001	Kit Blade Guard 16"	1
9b^	23002	Kit Blade Guard 18"	1
9c^	23014	Kit Blade Guard 20" Honda	1
9d^	23027	Kit Blade Guard 20" B&S	1
10^	39191	Bumper Rubber	1
A	80812	M8 Flat Washer	2
B*	80406	HHCS M8-1.25 x 20	2
C*	80853	NUTKP M6 x 1	8
D*	80836	HHCS M6-1 x 16	4
E	80806	M10 Flat Washer	2
F	80804	M10 Split Lock Washer	2
G	80842	HHCS M10-1.5 x 100	1
H	80618	HHCS M10-1.5 x 25	1

Remarks: ^ Not Shown

\* Items included in Blade Guard Kit Item 9

# PARTS LIST

## Water Pump Assembly



CS011A

# PARTS LIST

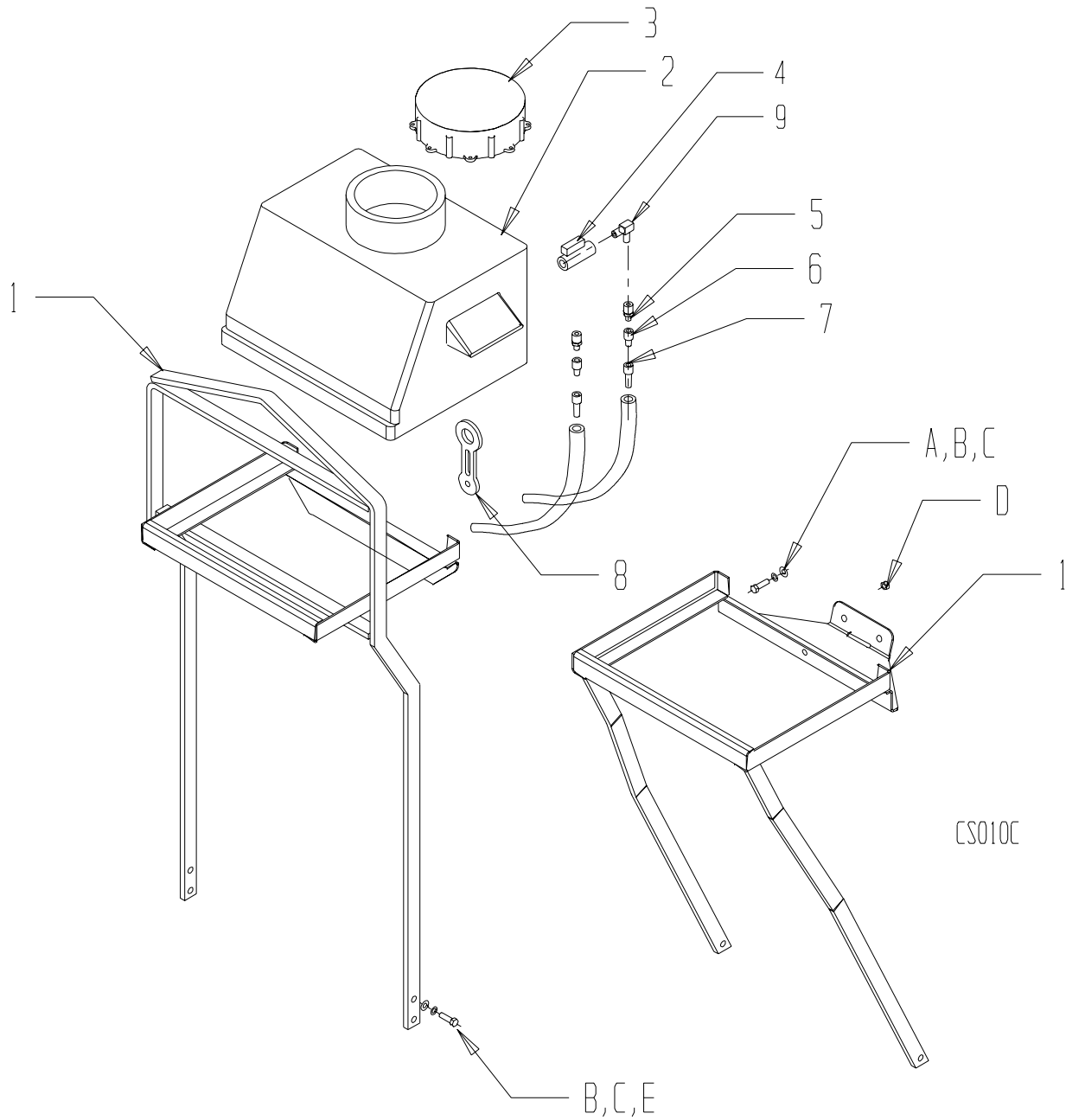
## Water Pump Assembly

Item	Part No.	Description	Qty.
1	39139	Water Pump	1
2	39173	Hose Barb 1/2 EPDM	1
3	39174	Elbow 1/2 Hose EPDM	1
4	39151	Hose 1/2 Nylo Braid	1.5 FT
5	39145	Hose Barb 1/2 x 1/2 x 1/2	1
6	39126	Pressure Switch	1
7	39144	1/2 x 1/8 Reducer	1
8	39143	1/2 Brass Pipe Tee	1
9	39169	Hose Barb 1/2 x 3/8 90°	1
A	80846	BHSCS M5 x .8 x 30	4
B	80855	Washer M5	4
C	80850	NUTNY M5 x .8	4

Remarks:

# PARTS LIST

## Water Tank Option Assembly



# PARTS LIST

## Water Tank Option Assembly

Item	Part No.	Description	Qty.
1	43303	Tank Mount Weld CS1 5/8 Gal.	1
1a	43296	Tank Mount Weld CS2 5 Gal.	1
1b	43200	Tank Mount Weld CS2 8 Gal.	1
2	47383	Water Tank 5 Gal.	1
2a	47387	Water Tank 8 Gal.	1
3	47241	Cap	1
4*	39361	Valve 1/4 NPT	1
5*	39215	Quik Connect Nipple	1
6*	39216	Quik Connect Coupler	1
7*	39217	1/8 NPT x 3/8 Hose	1
8	47182	Latch	1
9*	39360	Elbow 90° 1/4 NPT	1
10	39212	Kit Plumbing	1
11^	23016	Kit Water Tank CS1 5 Gal.	1
11a^	23017	Kit Water Tank CS2 5 Gal.	1
11b^	23043	Kit Water Tank CS1 8 Gal.	1
11c^	23044	Kit Water Tank CS2 8 Gal.	1
A	80618	HHCS M10 - 1.5 x 25	2
B	80804	M10 Lock Washer CS1 5/8 Gal.	2
B1	80804	M10 Lock Washer CS2 5/8 Gal.	4
C	80806	M10 Flat Washer	8
D	80833	M10 Nylok Nut	2
E	80837	HHCS M10 - 1.5 x 40 CS1	2


Remarks: ^ Not Shown  
\* Components of P/N 39212

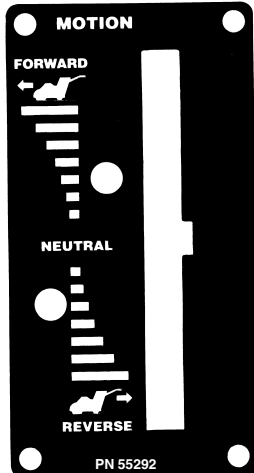
# PARTS LIST

# Decal Identification

**NOTICE**  
 CONTACT THE MANUFACTURER IMMEDIATELY AT 1-800-888-9926 IF SAFETY OR HAZARD DECALS OR OWNER'S MANUAL ARE MISSING FROM THIS EQUIPMENT. P/N 55156

**CAUTION**  
 When equipment is not in use turn the fuel valve to the OFF position  
 55269

55285  
**CAUTION**  
 WHEN OPERATING THIS MACHINE ALWAYS WEAR SAFETY APPROVED  
  
**FAILURE TO COMPLY COULD RESULT IN SERIOUS BODILY INJURY.**



55286

**BEFORE STARTING ENGINE**

1. Use correct blade for cutting conditions.
2. Ensure arbors and collars are clean and undamaged.
3. Mount blade and tighten securely using both wrenches.
4. When wet cutting, check water jets for adequate flow.

**TO START SAWING**

1. Start engine and let engine warm up. All sawing is done at full throttle.
2. Align blade and saw with cut. If wet sawing, open water valve.
3. Lower blade to touch surface and re-zero depth gauge.
4. Lower blade into cut slowly.
5. Cut as fast as blade will allow. If blade climbs out of cut, reduce forward speed or depth of cut.
6. Use only enough side pressure on saw handles to follow cutting line.

PN 55287  
**CAUTION**  
**DO NOT LIFT GUARD WHEN ENGINE IS RUNNING**  
 FAILURE TO COMPLY COULD RESULT IN SERIOUS BODILY INJURY  


PN 55289  
**CAUTION**  
**MOVING PARTS**  
 KEEP HANDS FEET AND LOOSE CLOTHING CLEAR  
  
**HOT SURFACES**  
 MUFFLER, ENGINE, AND ENGINE SHROUD MAY BE HOT  
  
**SHOCK HAZARD**  
 BE SURE THAT ELECTRICAL EQUIPMENT IS PROPERLY GROUNDED  
  
**FAILURE TO COMPLY COULD RESULT IN SERIOUS BODILY INJURY**

**CAUTION**  
**DISCONNECT SPARK PLUG TO PREVENT INJURY WHEN SERVICING OR CHANGING BLADE**  
 PN 55291

**USE GASOLINE ONLY**  
**CAUTION**  
 NO SMOKING NO FLAME  
 FUEL AND VAPORS ARE COMBUSTIBLE  
 PN 55290

55288  
**DANGER**  
**DO NOT OPERATE GASOLINE POWERED EQUIPMENT WITHOUT ADEQUATE VENTILATION**  
**CARBON MONOXIDE IS AN INVISIBLE, ODORLESS GAS THAT CAN KILL.**

# PARTS LIST

## Decal Identification

Item	Part No.	Description	Qty.
1	55156	Decal Notice	1
2	55260	Decal Fuel Off	1
3	55285	Decal Caution Saw Icon	1
4	55286	Decal Before Starting	1
5	55287	Decal Caution Lift Guard	1
6	55288	Decal Danger Carbon Monoxide	1
7	55289	Decal Caution Moving Parts	1
8	55290	Decal Caution No Smoking	1
9	55291	Decal Caution Spark Plug	1
10	55292	Decal Motion F/N/R	1
^	23258	Kit Decals Warning CS1 (Includes Items 1, 3-9, 55279, 55282)	1
^	23259	Kit Decals Warning Gas CS2 (Incl 1, 5, 7-9, 55269, 55280, 55282)	1
^	23274	Kit Decals Warning Elec CS2 (Includes Items 1, 5, 7, 55280, 55282)	1
^	23260	Kit Decals Warning CSP3 (Incl 1, 5, 7-10, 55269, 55281, 55283)	1

Remarks: ^ Not Shown