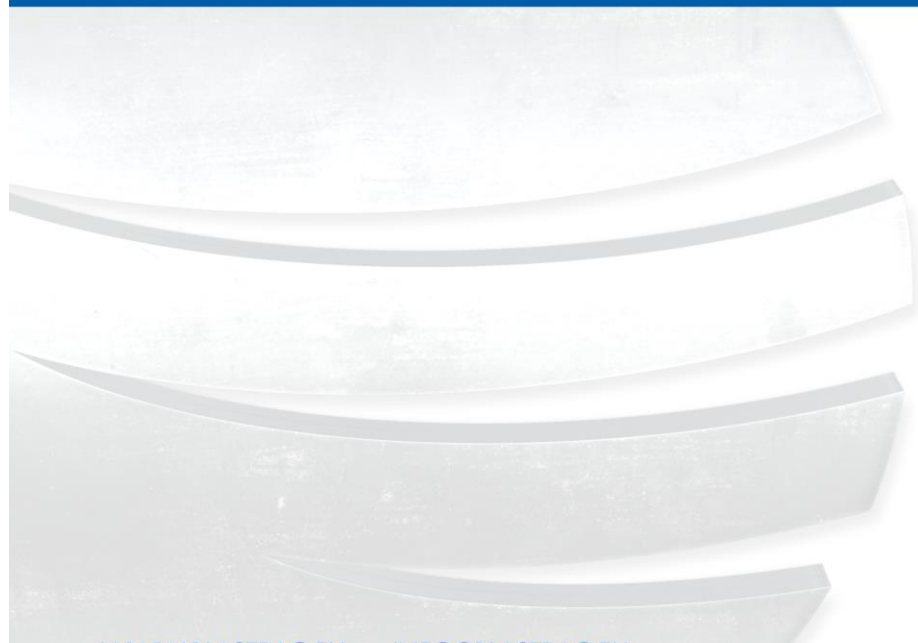


SERVICE MANUAL 1-8DM

VERSION 1.2





Index

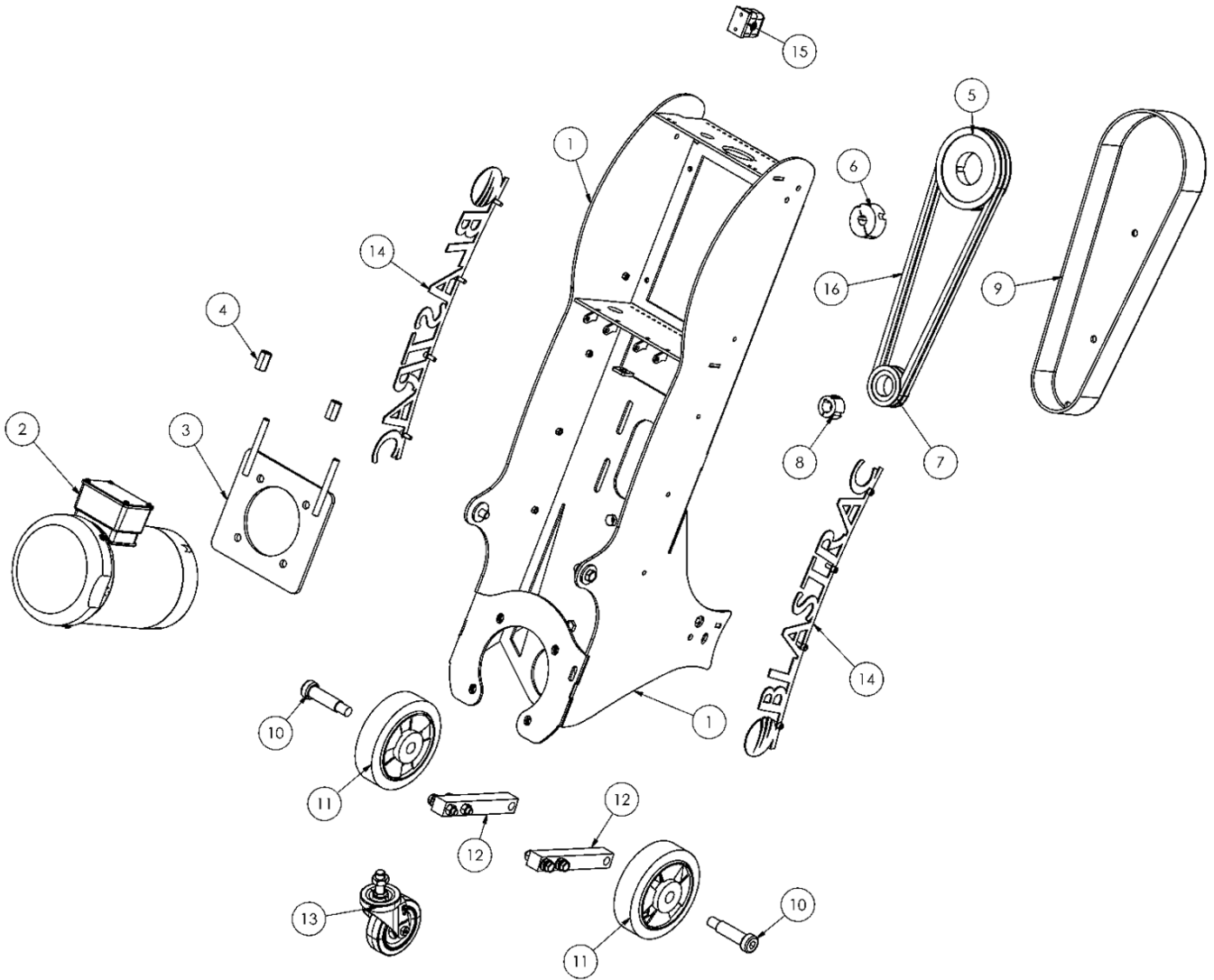
1. Spare parts	03
2. Accessories	09
3. Electrical	10
4. Contact	12





1. Spare Parts

Fig. 01



**Fig. 01**

Item	Blastrac Part Number	HQV Part number	Description	QTY.
1	PG-10522	533088601	CHASSIS - 1-8DM	1
2	CP-10889	533675401	MOTOR - 110V	1
	CP-10890	533635701	MOTOR - 220V	1
3	6908170-EU	533354701	MOTOR BASE PLATE	1
4	CP-10846	533843401	NUT/COUPLING	2
5	6908190	533224401	SHEAVE	1
6	6908380	533547801	BUSHING/ TAPER LOCK	1
7	6908200	533224301	SHEAVE	1
8	6908370	533933501	TAPERLOCK BUSHING	1
9	P000107-EU	533453201	BELT GUARD	1
10	CP-10759	533917501	SHOULDER BOLT	2
11	E03603	533771201	WHEEL	2
12	PA-11204	533351801	REAR WHEEL BRACKET	2
13	CP-10884	533992301	FRONT CASTER	1
14	E07380	533834101	BLASTRAC LOGO (RADIUS)	2
15	999-9159	534044401	STRAIN RELIEF	1
16	06100006	533931201	BELT	2



Fig. 02

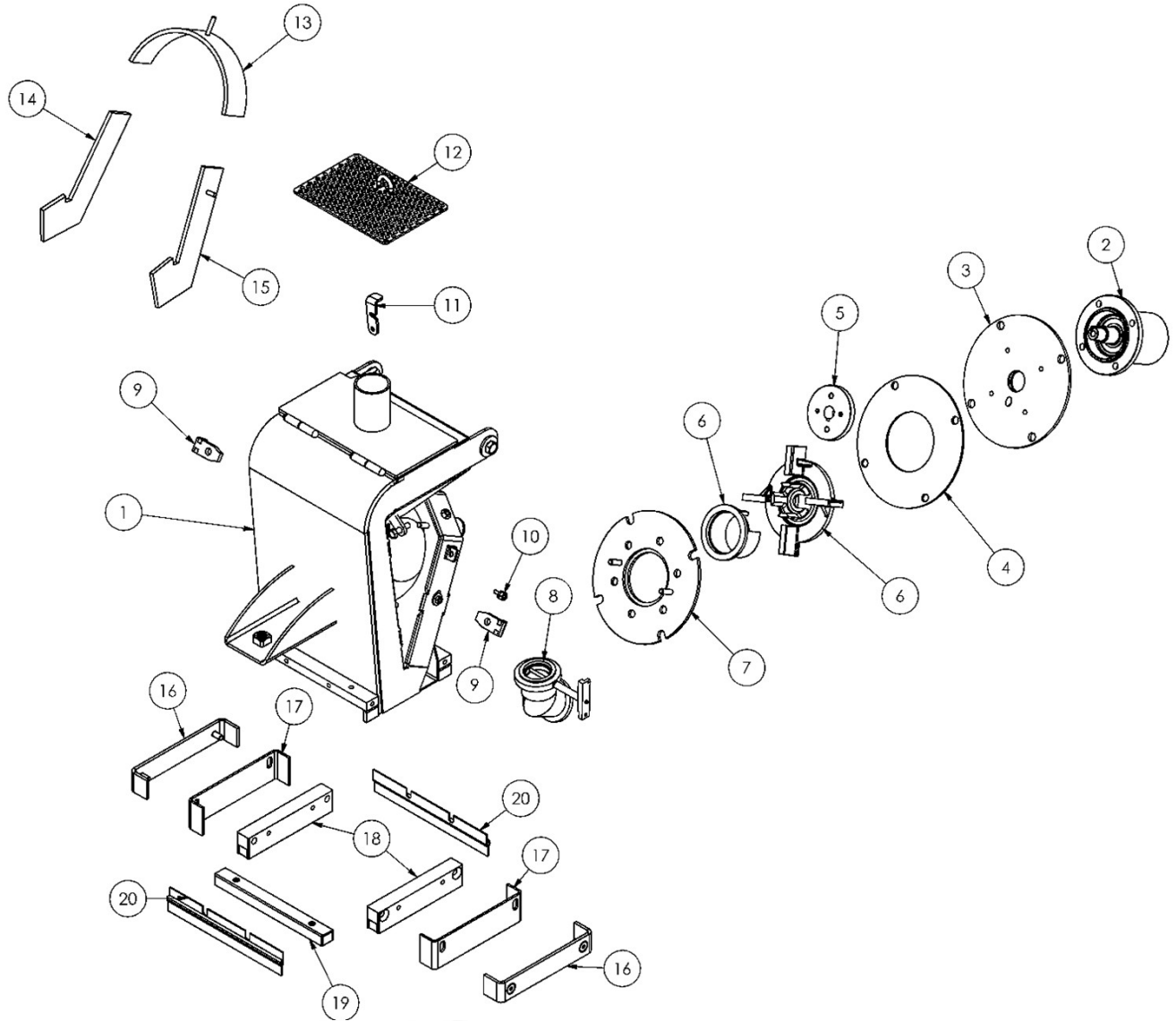




Fig. 02

Item	Blastrac Part Number	HQV Part number	Description	QTY.
1	PG-10521	533245101	BLAST HOUSING	1
2	979085	533185901	BEARING UNIT	1
3	9790660	533038501	BRACKET/ALUM BRG MTG	1
4	PA-11203	533476501	SEAL/BEARING MOUNTINGPLATE	1
5	9763100	534035901	HUB	1
6	4923050-EU	533805101	WHEEL-KIT 6.50"	1
7	9763240-EU	533762801	CONTROL CAGE BRACKET	1
8	P000001	533932401	MAGNETIC VALVE ASSY	1
9	9700120	533003401	CLAMP/CONTROL CAGE	2
10	6916120	533025201	NIPPLE/ THROTTLE & NUT	1
11	PA-11206	533203601	LATCH/BLASTHOUSING LID	1
12	PA-11211	533164501	SHOT TRAY	1
13	4973070-EU	533733201	LINER/TOP	1
14	6908260-EU	533795701	LINER/RIGHT HAND SIDE HATCHET	1
15	6908250-EU	533794701	LINER/LEFT HAND SIDE HATCHET	1
16	6811540-EU	533777401	RETAINER/SIDE SKIRT	2
17	6811550	533705801	SKIRT/SIDE	2
18	9697800	533517001	MAGNET/SIDE	2
19	9697630	533799701	MAGNET/FRONT	1
20	6908300	533672501	BRUSH/FRONT & REAR	2

6



Fig. 03

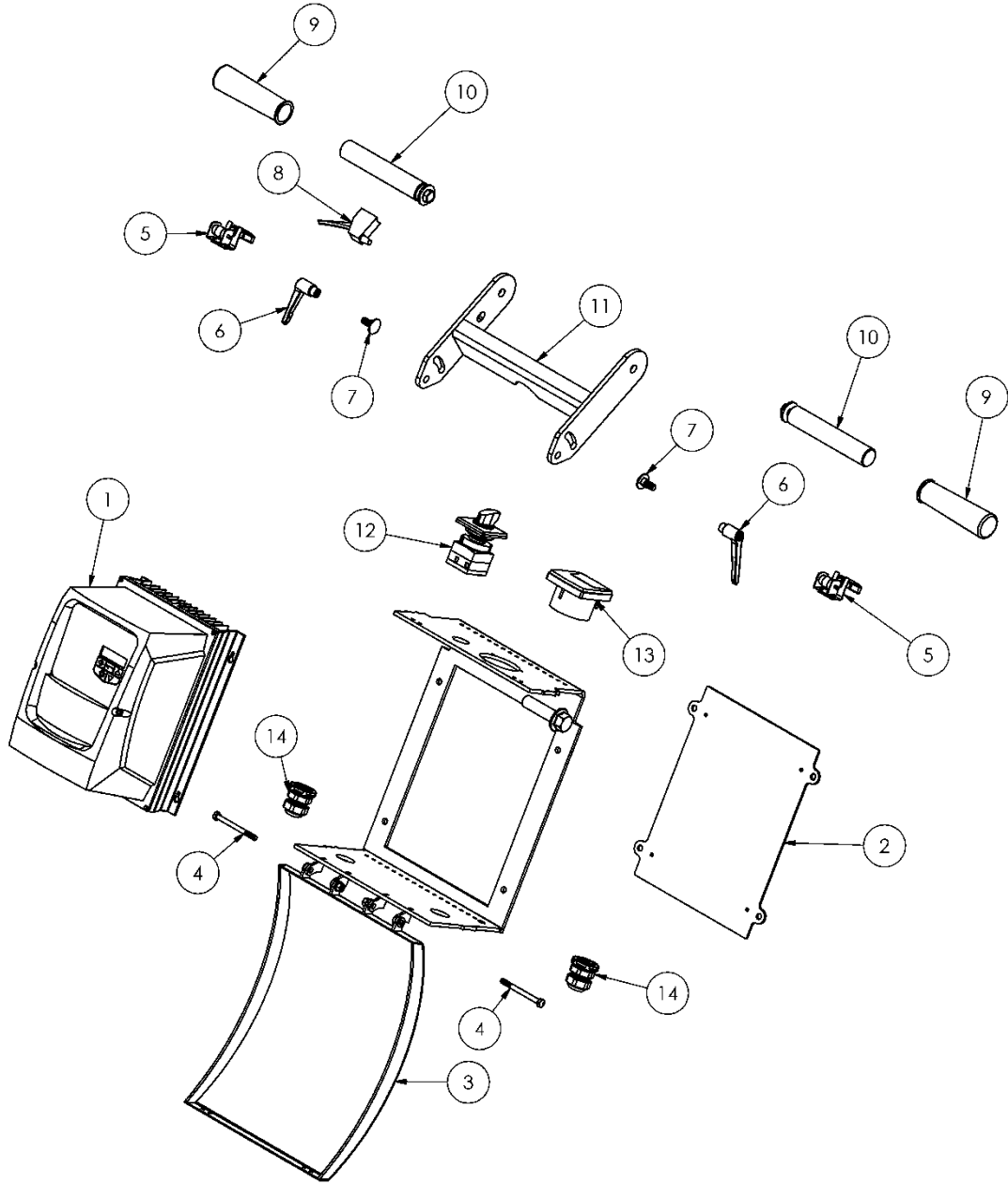


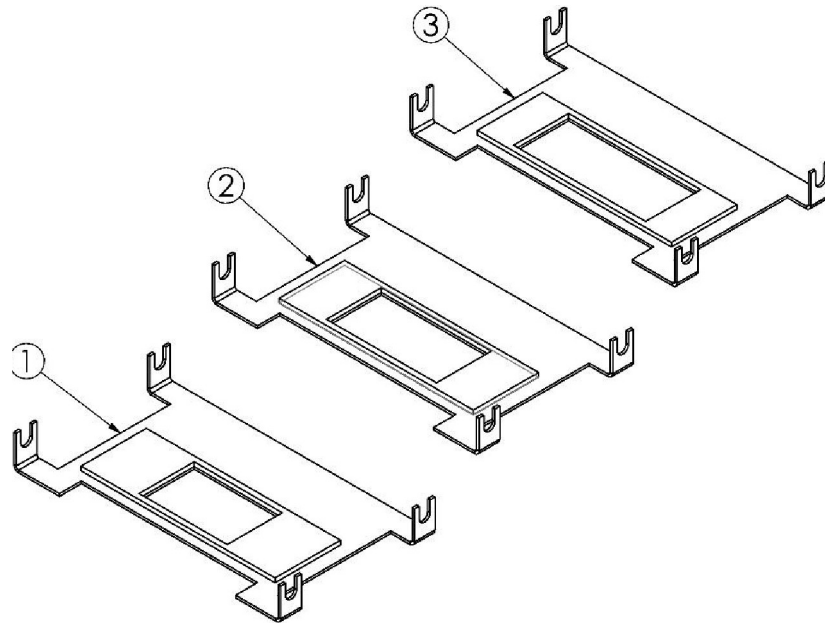


Fig. 03

Item	Blastrac Part number	HQV Part number	Description	Qty.
1	CP-10888	534084801	VARIABLE FREQUENCY DRIVE - 120V	1
	CP-10887	534084601	VARIABLE FREQUENCY DRIVE - 220V	1
2	PA-11212	533343901	VFD MOUNTING PLATE	1
3	PG-10529	533060101	VFD LID	1
4	800931	533888201	HEX CAP SCREW	2
5	CP-10879	533773301	DRAW LATCH	2
6	CP-10882	533926101	NYLON ADJUSTABLE HANDLE	2
7	CP-10880	533899601	CARRIAGE BOLT	2
8	CP-10886	533107701	SHOT CABLE	1
9	CP-10874	533948601	HANDLE/GRIP	2
10	PA-11210	533175601	BAR/HANDLE	2
11	PG-10527	531462001	HANDLE	1
12	CP-10883	533077401	SWITCH/ ON/OFF	1
13	P000443	533751401	AMMETER/AC	1
14	P003739	533681101	CORD GRIP	2

.BLASTRAC

2. Accessories



Item	Blastrac Part Number	HQV Part number	Description	QTY.
1	PG-10539	534050601	4" Edge Pattern Reducer	1
2	PG-10540	534052201	5" Edge Pattern Reducer	1
3	PG-10541	534050701	6" Edge Pattern Reducer	1

3. Electrical

Fig. 04
220V

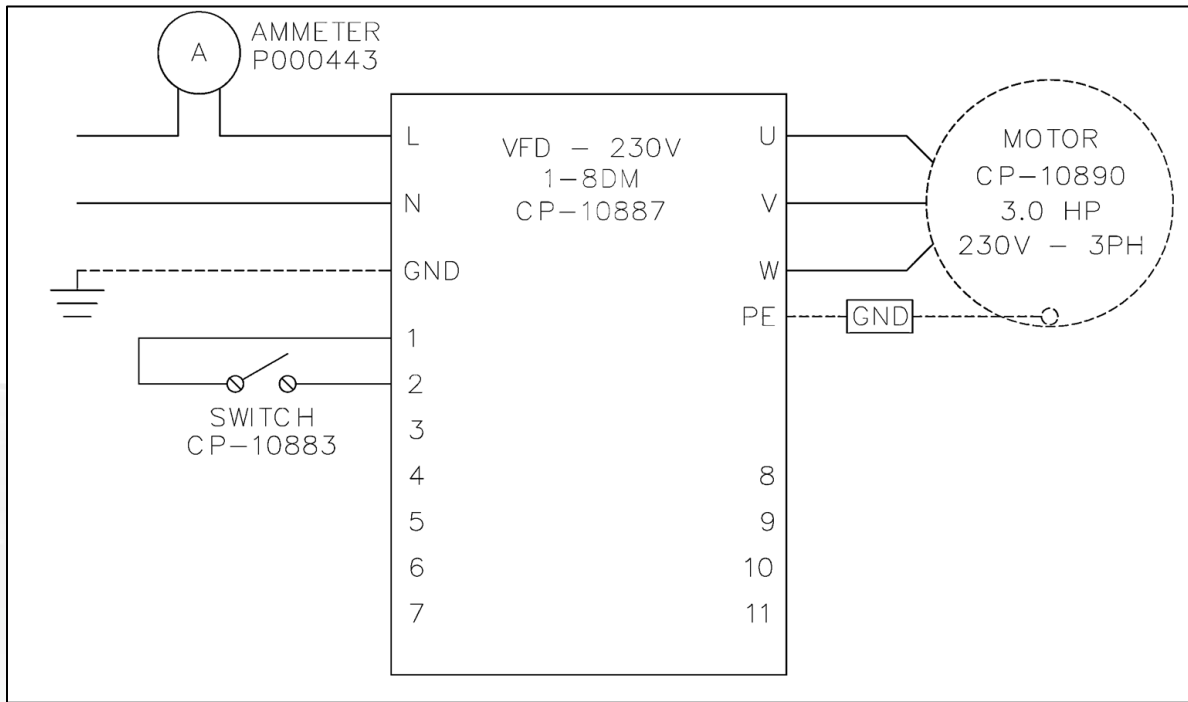
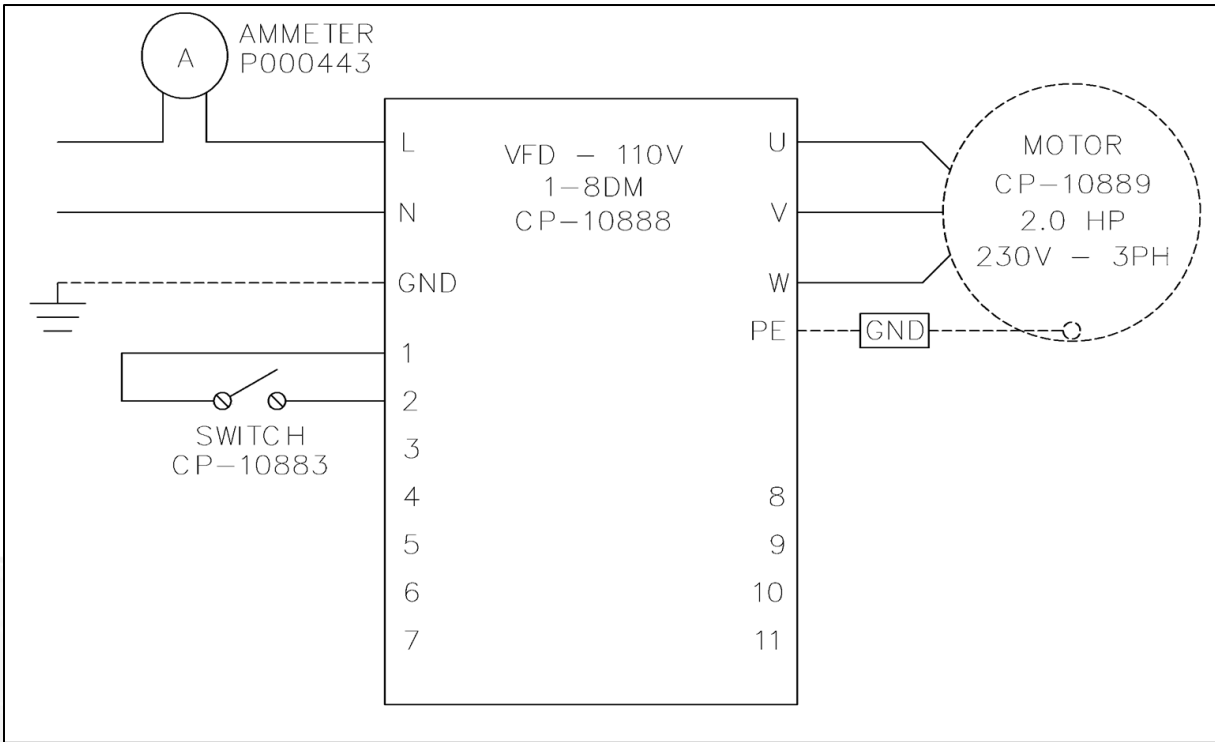




Fig. 05
110V





Contact

Blastrac NA
13201 North Santa Fe Avenue
Oklahoma City, OK 73114
Tel: 800-256-3440
Fax: 405-478-8608
www.blastrac.com