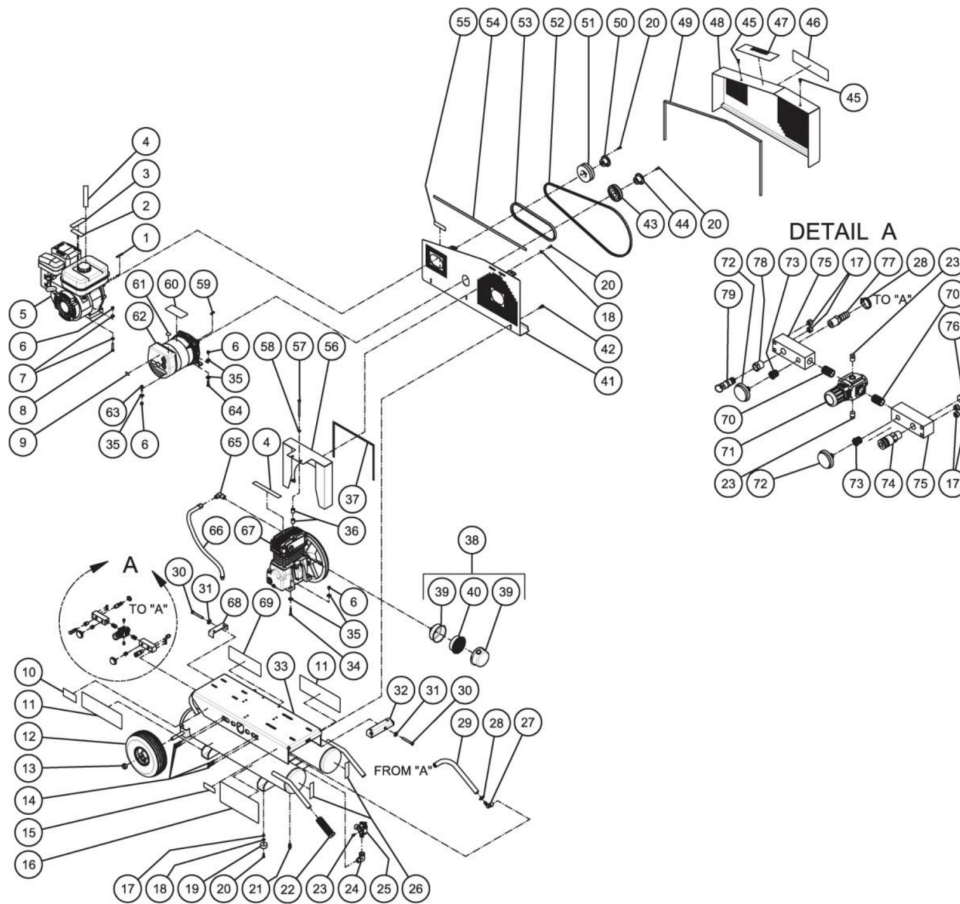




AG1-PR07-08M / AG1-PR07-08M (sn:0-99999999)

TANK ASSEMBLY



Id	Item #	Description	Quantity
1	43-0073	KEY	1
2	N/A Sep.	DECAL- CAUTION: RISK OF FIRE (SEE 34-9036)	1
3	N/A Sep.	DECAL- CHECK OIL TAPE (SEE 34-9036)	2
4	N/A Sep.	DECAL- WARNING: RISK OF BURNS (SEE 34-9036)	1
5	1-0088	ENGINE- 7.0 HP SUBARU	1
6	30-0157	LOCKNUT	11
7	28-0003	WASHER	8
8	27-0070	BOLT	4
9	N/A Sep.	DECAL- 115V (SEE 34-9036)	1
10	N/A	DECAL- DATA PLATE	1
11	34-2042	DECAL- LOGO	1

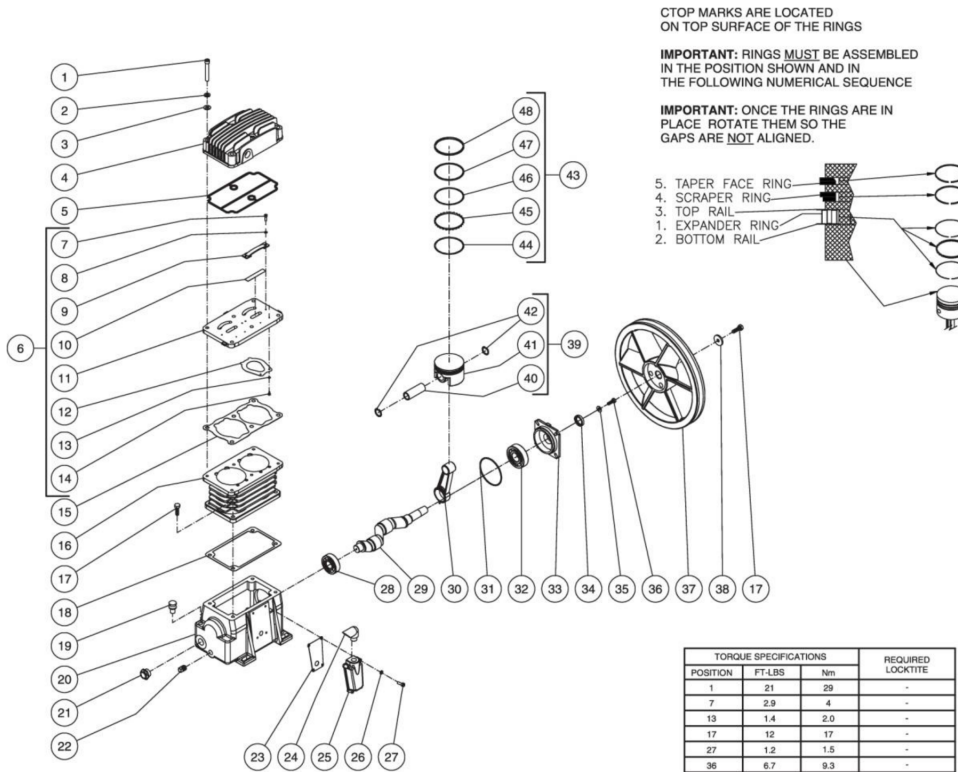
Id	Item #	Description	Quantity
12	14-0017	WHEEL	2
13	33-0351	COLLAR/SHAFT	2
14	27-0019	BOLT	4
15	N/A Sep.	DECAL- WARNING: RISK OF BURNS (SEE 34-9036)	2
16	N/A Sep.	DECAL- WARNING/OPERATIONS (SEE 34-9036)	1
17	30-0155	LOCKNUT	6
18	28-0002	WASHER	6
19	14-0069	ISOLATOR	2
20	27-0015	BOLT	10
21	23-0312	PETCOCKS	2
22	7-0059	HANDLE GRIP	2
23	24-0082	PLUG	3
24	24-0006	ELBOW	1
25	22-0346	PILOT VALVE	1
26	N/A Sep.	DECAL- TANK DRAIN (SEE 34-9036)	2
27	23-0418	ELBOW	1
28	42-0011	HOSE CLAMP	2
29	15-0007	HOSE *(TWO FEET REQUIRED)	1
30	27-0576	BOLT	2
31	28-0023	FLATWASHER	2
32	20-0814A01	BRACKET TIGHTENER	1
33	N/A	TANK	1
34	27-0069	BOLT	4
35	28-0022	WASHER	13
36	33-0358	SPACER	4
37	26-0240	GASKET	1
38	19-0240	AIR FILTER ASSEMBLY	1
39	N/A	AIR FILTER CANISTER	1
40	19-0220	FILTER REPLACEMENT	1
41	6-0117A01	BELTGUARD BACK ASSEMBLY	1
42	27-9524	BOLT	3
43	10-0049	SHEAVE	1
44	9-0033	BUSHING	1
45	33-0197	FASTENER	2
46	N/A Sep.	DECAL- OPERATING INSTRUCTIONS (SEE 34-9036)	1
47	N/A Sep.	DECAL- WARNING CARBON MONOXIDE (SEE 34-9036)	1
48	6-0105A01	BELTGUARD COVER	1
49	33-0020	EDGING *(FIVE FEET REQUIRED)	1
50	9-0009	BUSHING	1

Id	Item #	Description	Quantity
51	10-0067	SHEAVE	1
52	11-0064	DRIVE BELT	1
53	11-0034	DRIVE BELT	1
54	33-0020	EDGING *(THREE FEET REQUIRED)	1
55	N/A Sep.	DECAL- WARNING: BELTGUARD (SEE 34-9036)	1
56	20-0916A01	AIR SHROUD	1
57	27-0079	BOLT	2
58	29-0007	LOCKWASHER	2
59	43-0085	KEY	1
60	N/A Sep.	DECAL- WARNING: ELECTROCUTION (SEE 34-9036)	1
61	N/A Sep.	DECAL- GROUND PICTORIAL (SEE 34-9036)	1
62	32-0802	GENERATOR	1
63	27-0067	BOLT	1
64	27-0068	BOLT	2
65	24-0074	ELBOW	1
66	15-0246	HOSE	1
67	3-0280	PUMP	1
68	20-0614A01	BELT TIGHTENER BRACKET	1
69	N/A Sep.	DECAL- MAINTENANCE INSTRUCTIONS (SEE 34-9036)	1
70	24-0175	NIPPLE	2
71	22-0231	ADJUSTABLE REGULATOR	1
72	22-0257	PRESSURE GAUGE	2
73	23-0111	REDUCER	2
74	17-0068	QUICK CONNECT SOCKET	1
75	51-0033	MANIFOLD BLOCK	2
76	24-0034	PLUG	1
77	23-0105	HOSE BARB	1
78	23-0017	BUSHING	1
79	22-0228	SAFETY RELIEF VALVE	1
	34-9036	SAFETY DECAL KIT (INC. 2-4, 9, 15-16, 26, 46-47, 55, 60-61, 69)	
		*MUST ORDER IN ONE FOOT LENGTHS	



AG1-PR07-08M / AG1-PR07-08M (sn:0-99999999)

PUMP ASSEMBLY



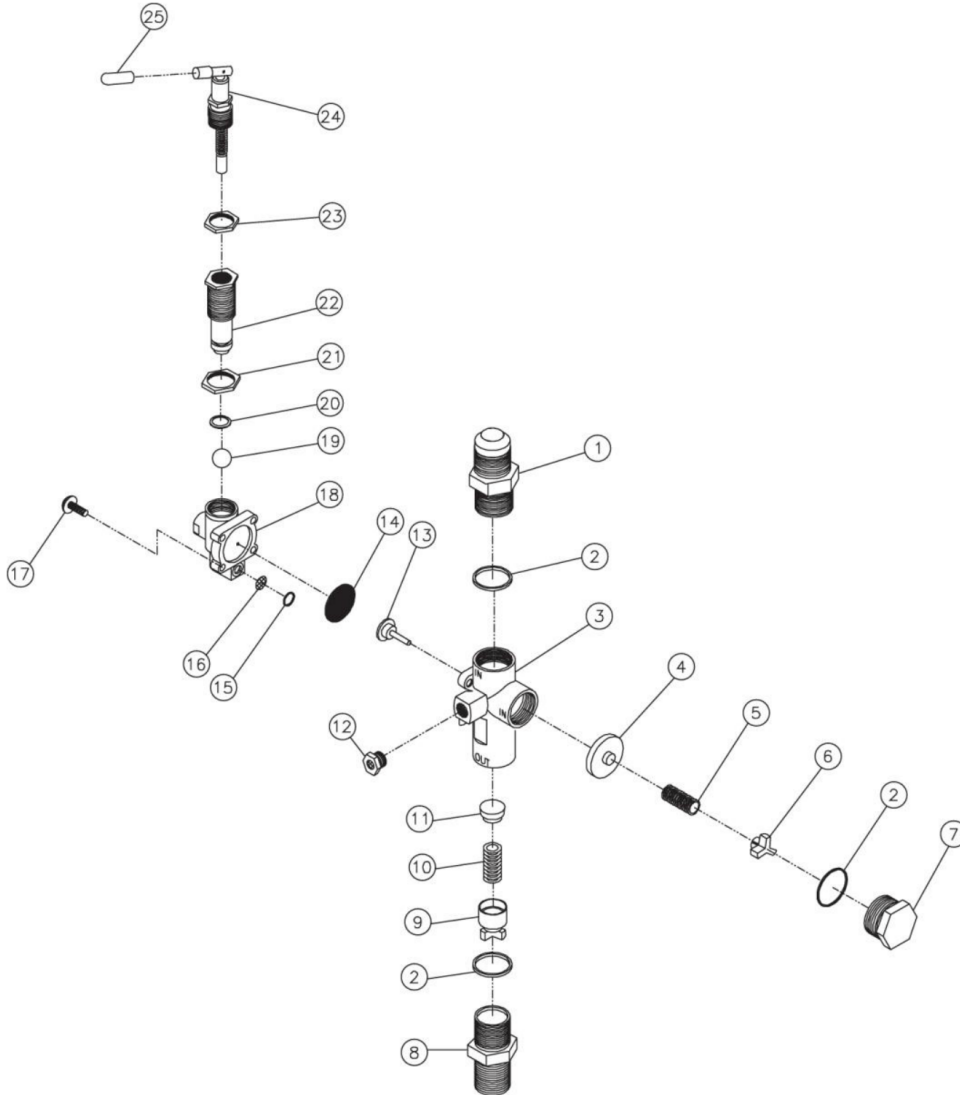
Id	Item #	Description	Quantity
1	27-0827	BOLT	6
2	29-0007	LOCKWASHER	6
3	28-0003	WASHER	6
4	46-1236	CYLINDER HEAD	1
5	N/A Sep.	GASKET (SEE 70-0453)	1
6	70-0454	VALVE PLATE KIT (INC. 7-14)	1
7	N/A Sep.	BOLT (SEE 70-0454)	4
8	N/A Sep.	WASHER (SEE 70-0454)	4
9	N/A Sep.	VALVE STOP (SEE 70-0454)	2
10	N/A Sep.	OUTLET REED VALVE (SEE 70-0454)	2
11	46-1235	VALVE PLATE	1
12	N/A Sep.	INLET REED VALVE (SEE 70-0454)	2
13	N/A Sep.	WASHER (SEE 70-0454)	4

Id	Item #	Description	Quantity
14	N/A Sep.	VALVE SCREW (SEE 70-0454)	4
15	N/A Sep.	GASKET (SEE 70-0453 OR 70-0454)	1
16	46-1234	CYLINDER	1
17	27-0067	BOLT	5
18	N/A Sep.	CRANKCASE GASKET (SEE 70-0453)	1
19	46-1144	OIL FILL PLUG	1
20	46-1233	CRANKCASE	1
21	46-1145	OIL SIGHT GLASS	1
22	24-0009	PLUG	1
23	26-0292	LABYRINTH COVER GASKET	1
24	46-1241	LABYRINTH COVER ELBOW	1
25	46-1242	LABYRINTH COVER	1
26	28-1009	LOCKWASHER	4
27	27-8885	BOLT	4
28	48-0086	BALL BEARING	1
29	46-1237	CRANKSHAFT	1
30	46-1239	CONNECTING ROD	2
31	N/A Sep.	O-RING (SEE 70-0453)	1
32	48-0087	BALL BEARING	1
33	46-1240	FLANGE	1
34	26-0246	OIL SEAL SHAFT	1
35	28-0002	WASHER	4
36	27-0015	BOLT	4
37	10-0136	SHEAVE	1
38	N/A	WASHER	1
39	46-1238	PISTON ASSEMBLY (INC. 40-42)	1
40	N/A Sep.	WRIST PIN (SEE 46-1237 OR 46-1238)	2
41	N/A Sep.	PISTON (SEE 46-1237 OR 46-1238)	2
42	N/A Sep.	SNAP RING (SEE 46-1237 OR 46-1238)	4
43	70-0452	RING KIT (INC. 44-48)	1
44	N/A Sep.	BOTTOM RAIL (SEE 70-0452)	2
45	N/A Sep.	ENPANDER RING (SEE 70-0452)	2
46	N/A Sep.	TOP RAIL (SEE 70-0452)	2
47	N/A Sep.	PISTON RING SCRAPER (SEE 70-0452)	2
48	N/A Sep.	PISTON RING TAPER FACE (SEE 70-0452)	2
KIT	70-0454	VALVE PLATE (INC. 7-14)	
KIT	70-0453	GASKET (INC. 5, 15, 18, 31)	
KIT	46-1237	PISTON ASSEMBLY (INC. 40-42)	
KIT	70-0452	PISTON RINGS (INC. 44-48)	



AG1-PR07-08M / AG1-PR07-08M (sn:0-99999999)

PILOT VALVE



Id	Item #	Description	Quantity
1	N/A	INLET PORT FITTING	1
2	N/A Sep.	O-RING (SEE 70-0241)	3
3	N/A	MAIN BODY	1
4	N/A Sep.	PISTON ASSEMBLY-UNLOADER VALVE (SEE 70-0241)	1
5	N/A Sep.	SPRING-UNLOADER VALVE (SEE 70-0241)	1
6	N/A	SPRING SEAT-UNLOADER VALVE	1
7	N/A	CAP	1

Id	Item #	Description	Quantity
8	N/A	DISCHARGE PORT FITTING	1
9	N/A	SPRING SEAT ASSEMBLY-CHECK VALVE	1
10	N/A Sep.	SPRING-CHECK VALVE (SEE 70-0241)	1
11	N/A Sep.	PISTON-CHECK VALVE (SEE 70-0241)	1
12	23-0419	MUFFLER	1
13	N/A Sep.	STEM UNLOADER (SEE 70-0241)	1
14	N/A Sep.	DIAPHRAM (SEE 70-0241)	1
15	N/A Sep.	O-RING (SEE 70-0241)	1
16	N/A Sep.	SCREEN (SEE 70-0241)	1
17	N/A	SCREW W/WASHER	4
18	N/A	PILOT BODY	1
19	N/A Sep.	BALL (SEE 70-0241)	1
20	N/A Sep.	O-RING (SEE 70-0241)	1
21	N/A	DIFFERENTIAL ADJUSTING LOCKNUT	1
22	N/A	DIFFERENTIAL ADJUSTING NUT	1
23	N/A	PRESSURE ADJUSTING LOCKNUT	1
24	N/A Sep.	PRESSURE ADJUSTING TOGGLE ASSEMBLY (SEE 70-0241)	1
25	N/A	RED TOGGLE COVER	1
KIT	70-0241	REPAIR KIT (INC. 2 EACH 4-5, 10-11, 13-16, 19-20, 24; INC. 3 EACH 2)	