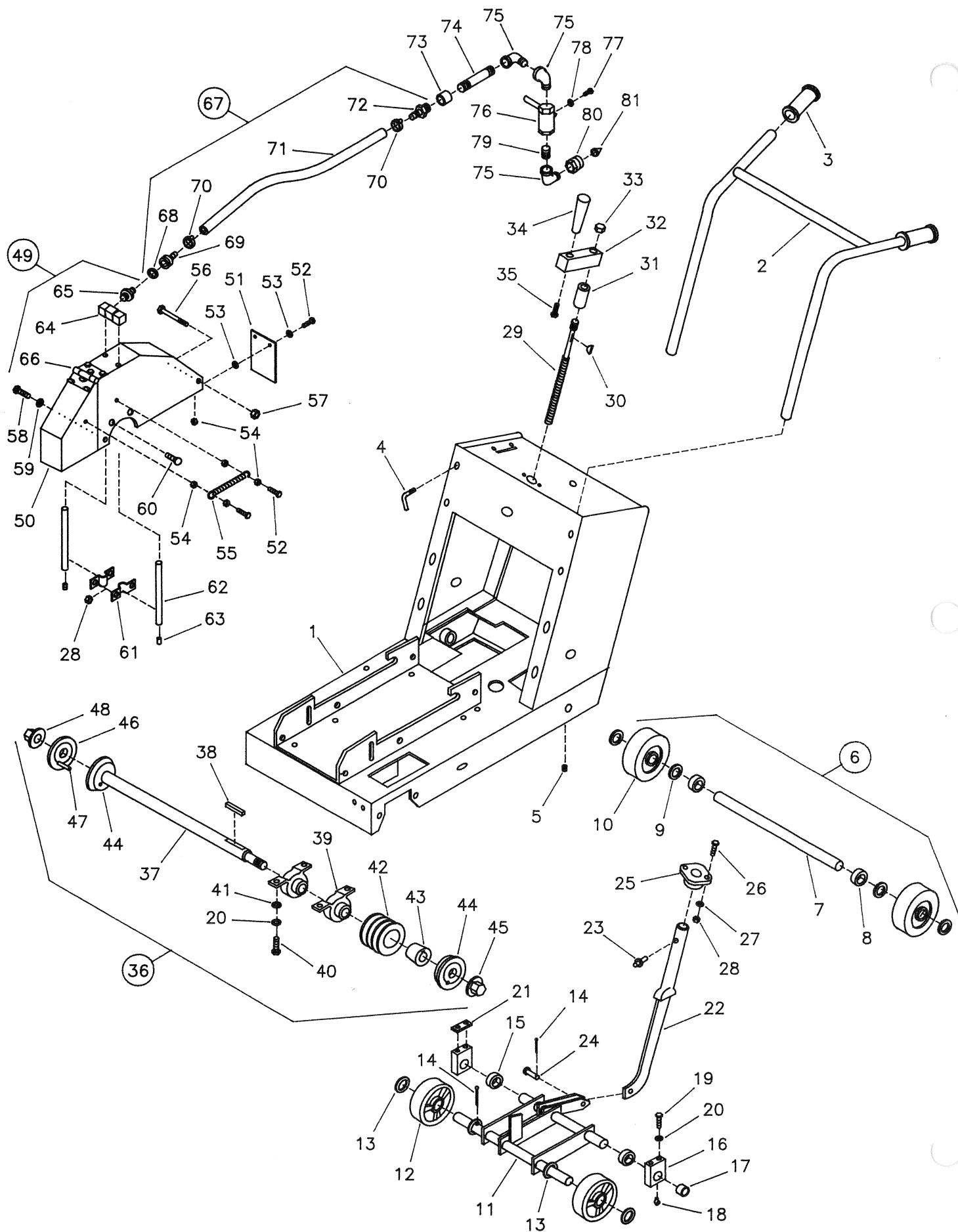


DIAMOND
PRODUCTS

**CONCRETE SAW
PARTS LIST**

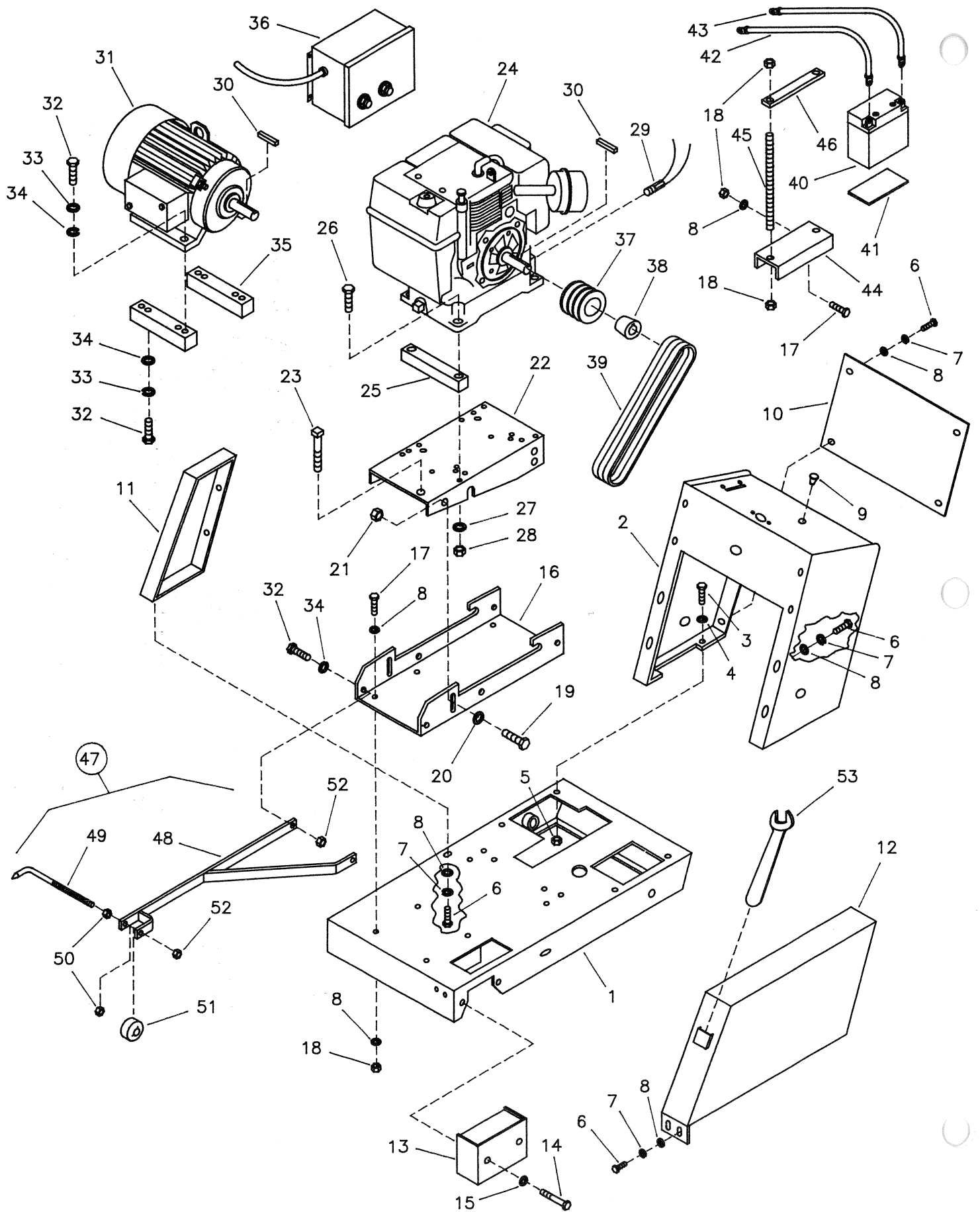
**MODEL
CC1400**



CC1400 PARTS LIST

Drawing I

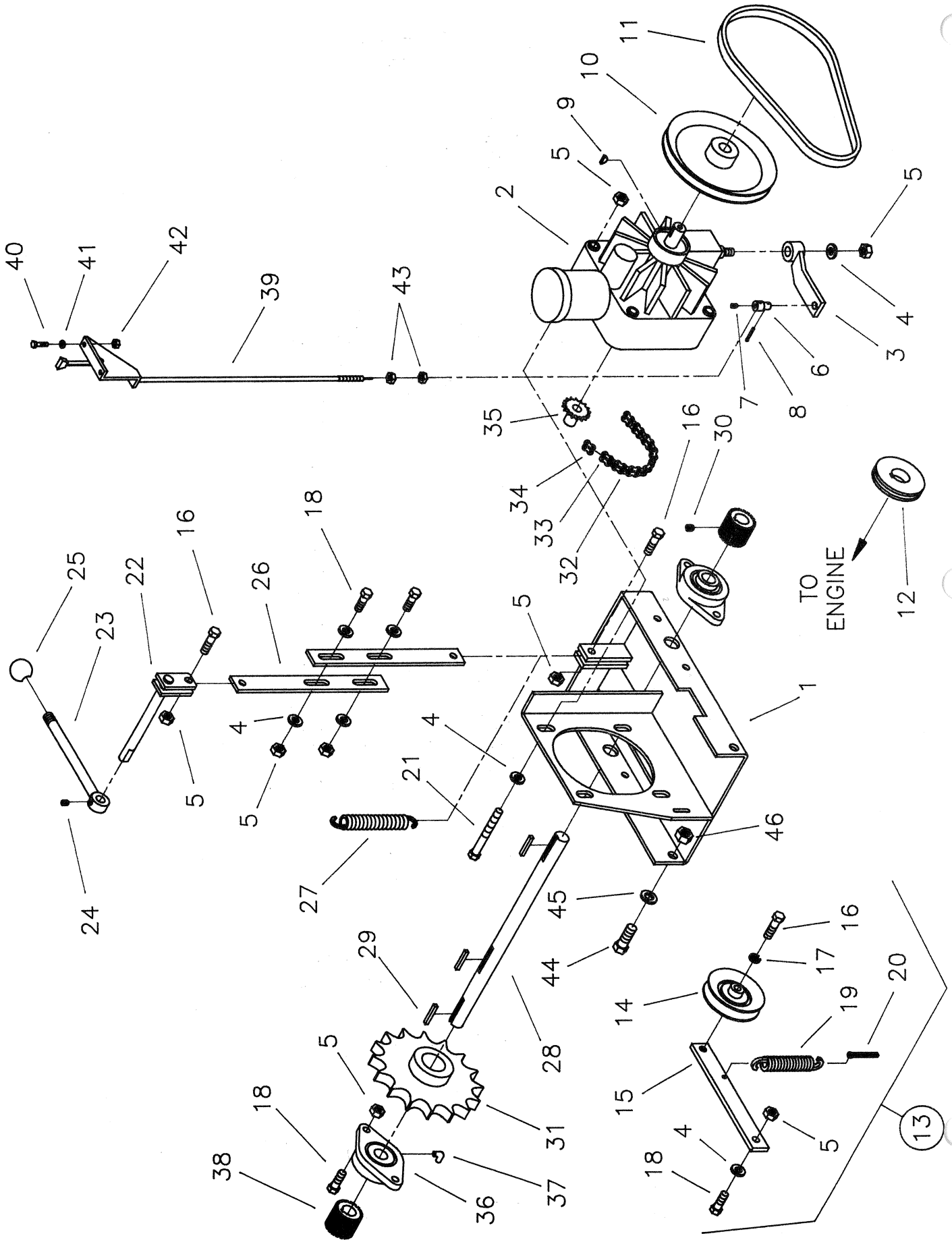
Diagram Number	Part No.	Qty. Req.	Description	Diagram Number	Part No.	Qty. Req.	Description
1	6048101	1	Frame Assembly	43	2500028	1	1210 x 1" Taper Bushing for 3.15 Sheave
2	6048102	1	Handle Bar				
3	2500001	2	Handle Grip		2500030	1	1610 x 1" Taper Bushing for 3.65 Sheave
4	2900001	2	L-Bolt 3/8" - 16				
5	2900056	2	Setscrew, Soc. Hd. 1/4"-20 x 1/4"	44	6048139	2	Inner Flange
6	6048104	1	Rear Axle Assembly (Includes #7-#10)	45	2900065	1	Flange Nut, 5/8" - 11 R.H.
7	6048105	1	Rear Axle	46	6048141	1	Outer Flange with Pin
8	2500008	2	5/8" Set Collar with Setscrews	47	2900067	1	Drive Pin
9	2900002	4	Washer, 5/8" SAE	48	2900066	1	Flange Nut, 5/8" - 11 L.H.
10	2500003	2	Wheel, 6" Dia.	49	6048144	1	16" Blade Guard Assembly (Includes #50-#66)
11	6048110	1	Front Axle Weldment				
12	2500004	2	Wheel, 5" Dia.		6048237	1	18" Blade Guard Assembly (Includes #50-#66)
13	2900003	4	Washer, 3/4" SAE				
14	2900004	5	Cotter Pin, 1/8" x 1"	50	6048145	1	16" Blade Guard Only
15	2500009	2	1" Set Collar with Setscrews		6048239	1	18" Blade Guard Only
16	6048114	2	Pivot Block with Bushing	51	6048146	1	Splash Flap
17	2500071	2	Brass Bushing Only	52	2900015	4	Capscrew, Hex Hd. #10- 24 x 3/4"
18	2900061	2	Grease Fitting 1/4" - 28	53	2900016	4	Flat Washer #10
19	2900005	4	Capscrew, Hex Hd. 3/8" - 16 x 1"	54	2900017	6	Lock Nut #10 - 24 Nylon
20	2900006	8	Lock Washer, 3/8" Split	55	2500067	1	Spring 3/8" x 4"
21	2500053	2	Lifting Spacer for Saw with 18" Blade Guard Only	56	2900057	1	Capscrew, Hex Hd. 3/8" - 16 x 3-3/4"
22	6048119	1	Adjustment Shaft	57	2900018	1	Lock Nut 3/8" - 16 Nylon
23	2900062	1	Grease Fitting 1/8" NPT	58	2900019	1	Capscrew, Hex Hd. 5/16" - 18 x 3/4"
24	2900007	1	Clevis Pin	59	2900031	1	Lock Washer, 5/16" Split
25	2500010	1	Flange Block Bearing 1/2"	60	2900020	4	Capscrew, Flat Hd. 1/4" - 20 x 3/4"
26	2900008	2	Capscrew, Hex Hd. 1/4" - 20 x 1"	61	6048155	2	Water Tube Clamp
27	2900009	2	Washer, 1/4" SAE	62	6048156	2	Water Tube for 16" Blade Guard
28	2900010	6	Lock Nut 1/4" - 20 Nylon		6048243	2	Water Tube for 18" Blade Guard
29	6048125	1	Adjustment Screw	63	3200001	2	Pipe Plug
30	2900063	1	Woodruff Key 1/8" x 5/8"	64	6048158	1	Manifold
31	6048127	1	Spacer Tube	65	3200023	1	Fitting, 3/4" Male Garden Hose to 1/4" Female Pipe
32	6048128	1	Handle Base	66	6048150	1	Hinge with Fasteners
33	2900011	1	Acorn Nut 1/2" - 13	67	6048160	1	Hose Assembly (Includes #68-#72)
34	2500072	1	Screw Feed Handle	68	3200024	1	Garden Hose Washer
35	2900012	1	Shoulder Screw, 1/2" Dia. x 1-1/4"	69	3200021	1	Fitting, 3/4" Female Garden Hose to 1/2" Hose Barb
36	6048131	1	Bladeshift Assembly for Saw with 16" Blade Guard (Include #37-#48)	70	3200016	2	Hose Clamp
	6048132	1	Bladeshift Assembly for Saw with 18" Blade Guard (Include #37-#48)	71	6048198	1	Hose 32" Long
				72	3200020	1	Fitting, 1/2" Male Pipe to 1/2" Hose Barb
37	6048133	1	Bladeshift	73	3200009	1	Pipe Coupling 1/2" NPT
38	6048134	1	Key, 1/4" Sq. x 2-1/4"	74	3200003	1	Pipe Nipple 1/2" NPT x 5"
39	2500013	2	Pillow Block Bearing 1"	75	3200013	3	Street Elbow 1/2" NPT
40	2900013	4	Capscrew, Hex Hd. 3/8" - 16 x 1-1/4"	76	3200026	1	Water Valve
41	2900014	4	Washer 3/8" SAE	77	2900021	2	Machine Screw, Round Hd. #10 - 24 x 3/8"
42	2500024	1	Sheave. 3.15 - 3 Groove for Saw with 16" Guard	78	2900038	2	Lock Washer, #10 Split
	2500025	1	Sheave, 3.65 - 3 Groove for Saw with 18" Guard	79	3200008	1	Close Nipple 1/2" NPT
				80	3200022	1	Fitting, 3/4" Female Garden Hose to 1/2" Female Pipe
				81	3200025	1	Filter Hose Washer



CC1400 PARTS LIST

Drawing II

Diagram Number	Part No.	Qty. Req.	Description	Diagram Number	Part No.	Qty. Req.	Description
1	6048169	1	Frame Base	29	2700002	1	Oil Sentry Unit for Kohler Engines
2	6048170	1	Frame Upright	30	6048134	1	Key, 1/4" Sq. x 2-1/4"
3	2900019	4	Capscrew, Hex Hd., 5/16"-18 x 3/4"	31	2600001	1	Electric Motor, 5 HP, 1 Phase
4	2900022	4	Washer, 5/16" SAE		2600002	1	Electric Motor, 5 HP, 3 Phase
5	2900039	4	Lock Nut 5/16" - 18 Nylon		2600003	1	Electric Motor, 7 1/2 HP, 1 Phase
6	2900023	11	Capscrew, Hex Hd. 1/4" - 20 x 5/8"		2600004	1	Electric Motor, 7 1/2 HP, 3 Phase
7	2900024	11	Lock Washer, 1/4" Split	32	2900005	10	Capscrew, Hex Hd. 3/8" - 16 x 1"
8	2900009	25	Washer 1/4" SAE	33	2900006	8	Lock Washer, 3/8" Split
9	2800001	1	Push Button	34	2900014	10	Washer, 3/8" SAE
10	6048175	1	Back Cover Plate	35	6048248	2	Spacer for 5 HP Motor
11	6048200	1	Side Guard		6048249	2	Spacer for 7 1/2 HP Motor
12	6048201	1	Belt Guard	36	6048302	1	Switch Box Assembly for 5 HP 1 Phase Motor
13	6048202	1	Shaft Guard		6048301	1	Switch Box Assembly for 5 HP 3 Phase Motor
14	2900030	2	Capscrew, Hex Hd. 5/16" - 18 x 3-1/4"		6048355	1	Switch Box Assembly for 7 1/2 HP 1 Phase Motor
15	2900031	2	Lock Washer, 5/16" Split		6048242	1	Switch Box Assembly for 7 1/2 HP 3 Phase Motor
16	6048176	1	Engine Base Mount	37	2500022	1	Sheave, 2.65 - 3 Groove (5 HP, 7 1/2 HP, 16 HP, 18 HP)
17	2900008	8	Capscrew, Hex Hd. 1/4" - 20 x 1"		2500024	1	Sheave, 3.15 - 3 Groove (8 HP, 11 HP, 13 HP, 14 HP)
18	2900010	12	Lock Nut 1/4" - 20 Nylon	38	2500026	1	1108 x 1" Taper Bushing for 2.65 Sheave (16 HP & 18 HP Briggs & Stratton)
19	2900025	4	Capscrew, Hex Hd. 1/2" - 13 x 1-1/4"		2500027	1	1108 x 1-1/8" Taper Bushing for 2.65 Sheave (5 HP, 7 1/2 HP, 16 HP Kohler)
20	2900058	4	Washer, 1/2" SAE		2500028	1	1210 x 1" Taper Bushing for 3.15 Sheave (8 HP, 11 HP, 13 HP, and 14 HP Kohler Command)
21	2900026	4	Lock Nut, 1/2" - 13 Nylon	39	2500036	3	V-Belt, 3VX355 (8 HP, 11 HP and 13 HP)
22	6048180	1	Engine Base		2500037	3	V-Belt, 3VX375 (5 HP, 7 1/2 HP, 14 HP, 16 HP and 18 HP)
23	2900027	1	Setscrew, Sq. Hd. 1/2" - 13 x 4"	40	2700001	1	Battery, 12 Volt
24	2600005	1	Engine, 8 HP Kohler Magnum	41	6048312	1	Battery Mount Pad
	2600008	1	Engine, 11 HP Honda	42	6048357	1	Battery Cable - Positive
	2600116	1	Engine, 13 HP Honda	43	6048358	1	Battery Cable - Negative
	2600010	1	Engine, 14 HP Kohler Magnum	44	6048313	1	Battery Mount
	2600077	1	Engine, 14 HP Kohler Command with Electric Start	45	6048356	2	Rod, 1/4" - 20 x 7"
	2600012	1	Engine, 16 HP Kohler Magnum with Electric Start	46	6048314	1	Battery Top Brace
	2600013	1	Engine, 16 HP Briggs & Stratton	47	6048204	1	Pointer Assembly (Includes #48-#52)
	2600014	1	Engine, 16 HP Briggs & Stratton with Electric Start	48	6048205	1	Pointer Weldment
	2600102	1	Engine, 18 HP Briggs & Stratton with Electric Start	49	2900032	1	Pointer Rod
25	6048241	2	Spacer for Honda, Briggs & Stratton, Kohler Command	50	2900033	2	Hex Nut, 3/8" - 16
26	2900029	4	Capscrew, Hex Hd. 3/8" - 16 x 1-1/2" for Kohler Magnum Engines	51	2500006	1	Wheel, 2-1/2" Dia.
	2900028	4	Capscrew, Hex Hd. 3/8" - 16 x 2-3/4" for Honda and Kohler Command Engines	52	2900018	3	Lock Nut 3/8" - 16 Nylon
	2900069	4	Capscrew, Hex Hd. 5/16" - 18 x 2-3/4" for Briggs & Stratton Engines	53	2500256	1	Wrench 1-1/16"
27	2900014	4	Washer, 3/8" SAE for Kohler and Honda Engines				
	2900022	4	Washer, 5/16" SAE for Briggs & Stratton Engines				
28	2900018	4	Lock Nut 3/8" - 16 Nylon for Kohler and Honda Engines				
	2900039	4	Lock Nut 5/16" - 18 Nylon for Briggs & Stratton Engines				



CC1400 PARTS LIST
Drawing III
Transmission Group

Diagram Number	Part No.	Qty. Req.	Description	Diagram Number	Part No.	Qty. Req.	Description
1	6048209	1	Transmission Platform Weldment	21	2900035	4	Capscrew, Hex Hd. 3/8" - 16 x 3"
2	2600015	1	Transmission	22	6048223	1	Engagement Lever
3	6048211	1	Shift Lever	23	6048224	1	Engagement Handle
4	2900014	10	Washer, 3/8" SAE	24	2900056	3	Setscrew, Soc. Hd. 1/4" - 20 x 1/4"
5	2900018	14	Lock Nut 3/8" - 16 Nylon	25	2400007	1	Knob
6	6048212	1	Pivot Pin	26	6048226	2	Linkage
7	2900059	1	Setscrew, Soc. Hd. #10 - 32 x 1/4"	27	2500070	1	Spring 3/4" x 4"
8	2900034	1	Cotter Pin, 3/32" x 3/4"	28	6048228	1	Drive Shaft
9	2900068	2	Woodruff Key 1/8" x 1/2"	29	6048229	3	Key, 3/16" Sq. x 1-1/4"
10	2500016	1	Pulley, 6" Dia. with Setscrews	30	2900036	2	Setscrew, Soc. Hd. 5/16" - 18 x 1/4"
11	2500032	1	V-Belt, 4L390 (5 HP, 7 1/2 HP, 8 HP, 14 HP, 16 HP, & 18 HP)	31	2500018	1	Sprocket with Setscrews
	2500033	1	V-Belt, 4L430 (11 HP & 13 HP)	32	6048232	1	#35 Chain, 62 Pitch
12	6048195	1	Accessory Drive Pulley (5 HP, 7 1/2 HP, 14 HP Kohler Magnum, 16 HP Kohler)	33	2500020	1	#35 Offset Link
	6048196	1	Accessory Drive Pulley (8 HP, 11 HP, 13 HP, 14 HP Kohler Command, 16 HP Briggs, 18 HP)	34	2500021	1	#35 Connecting Link
				35	2500017	1	Sprocket with Setscrews
				36	2500011	2	Flange Block Bearing 3/4"
				37	2900061	2	Grease Fitting 1/4" - 28
				38	6048235	2	Wheel Drive
				39	2500076	1	Speed Control Lever Assembly
13	6048359	1	Idler Assembly (Includes #4,5,14-20)	40	2900015	2	Capscrew, Hex Hd. #10 - 24 x 3/4"
14	2500074	1	Idler Pulley	41	2900016	2	Flat Washer #10
15	6048218	1	Idler Arm	42	2900017	2	Lock Nut #10 - 24 Nylon
16	2900013	3	Capscrew, Hex Hd. 3/8" - 16 x 1-1/4"	43	2900186	2	Hex Nut, 1/4" - 28
17	2900006	1	Lock Washer, 3/8" Split	44	2900025	2	Capscrew, Hex Hd. 1/2" - 13 x 1-1/4"
18	2900005	7	Capscrew, Hex Hd. 3/8" - 16 x 1"	45	2900058	2	Washer, 1/2" SAE
19	2500069	1	Idler Spring	46	2900026	2	Lock Nut 1/2" - 13 Nylon
20	2900055	1	Cotter Pin 3/16" x 1"				

