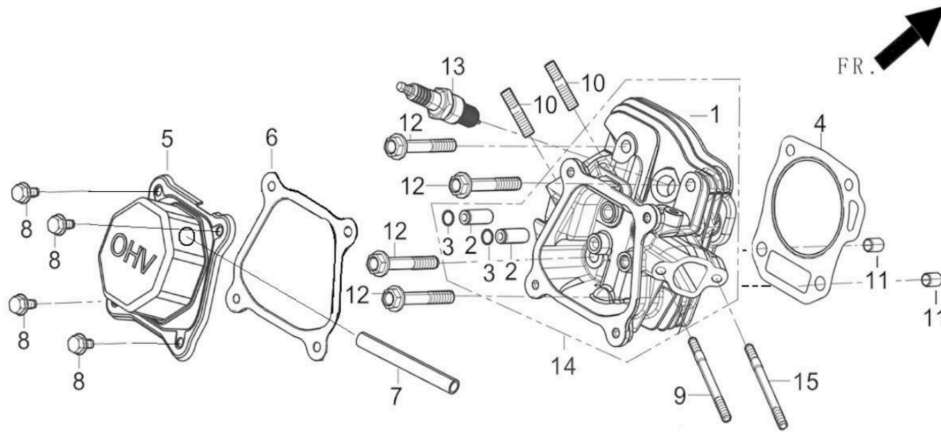




Mi-T-M Corporation / Engines / 1-0221 / 1-0221 / 1-0221 (sn:0-99999999)

Cylinder Head Subassembly

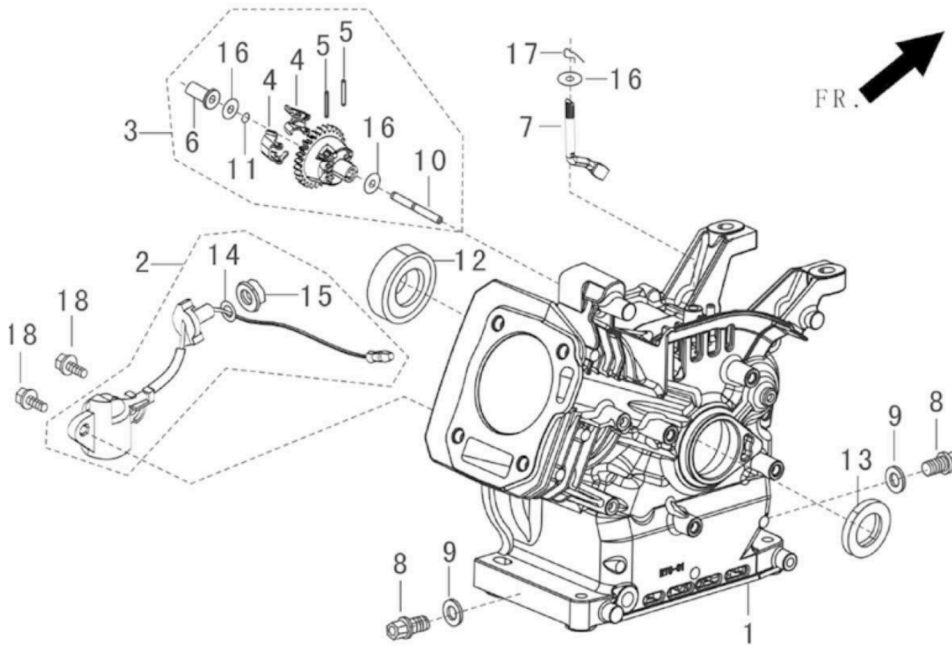


Id	Item #	Description	Quantity	Rev	Comments
4	45-0463	GASKET-CYLINDER HEAD	1		
5	45-0464	CYLINDER HEAD COVER SUBASSY	1		
6	45-0465	GASKET-CYLINDER HEAD COVER	1		
7	45-0466	BREATHER TUBE	1		
8	45-0315	BOLT- M6x1.0x12mm	4		
9	45-0467	STUD - M6x1x113 OAL	1		
10	45-0468	STUD - M8x1.25x113 OAL	2		
11	45-0469	PIN-CYLINDER HEAD	2		
12	45-0470	BOLT - M8x1.25x60 FLANGE	4		
13	45-0471	SPARK PLUG	1		
14	45-0472	CYLINDER HEAD SUBASSY	1		
15	45-0684	STUD-CYLINDER HEAD	1		



Mi-T-M Corporation / Engines / 1-0221 / 1-0221 / 1-0221 (sn:0-99999999)

Crankcase/governor gear Assembly

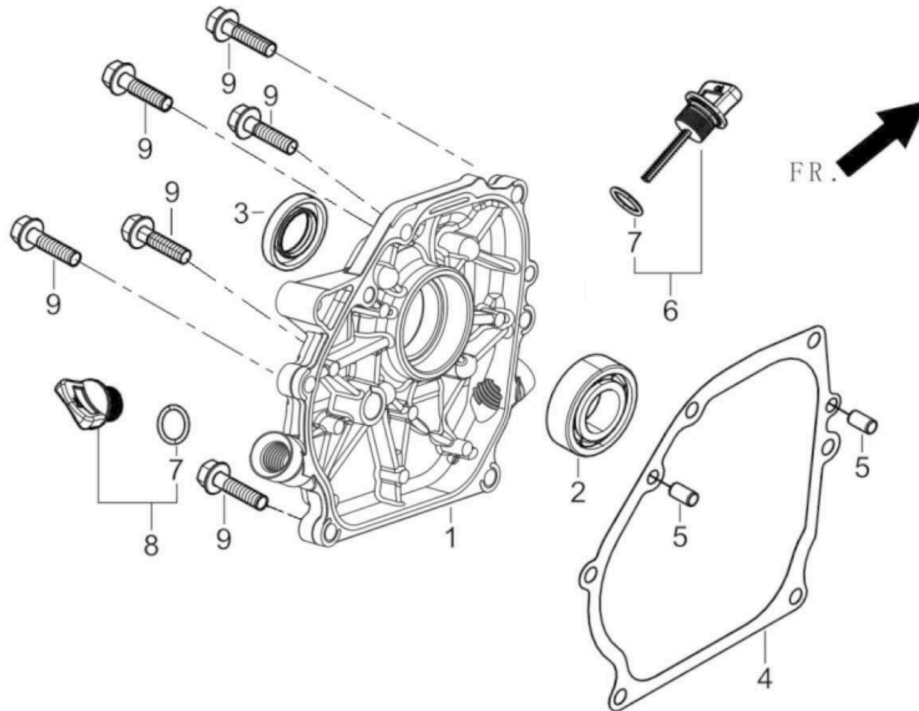


Id	Item #	Description	Quantity	Rev	Comments
1	45-0473	CRANKCASE SUBASSY	1		
2	45-0474	SENSOR-ENGINE OIL	1		
3	45-0475	GOVERNOR GEAR ASSY	1		
7	45-0476	GOVERNOR ARM	1		
8	45-0477	BOLT-DRAIN PLUG-M10x1.25x15 FL	2		
9	45-0530	WASHER-OIL DRAIN-OD16, ID10	2		
12	45-0478	BEARING-GOV GEAR	1		
13	45-0479	SEAL-OIL	1		
15	45-0685	NUT-CRANKCASE	1		
16	45-0480	WASHER-GOVERNOR GEAR	1		
17	45-0328	PIN	1		
18	45-0531	BOLT-CRANKCASE-M6x1x14 FLANGE	2		



Mi-T-M Corporation / Engines / 1-0221 / 1-0221 / 1-0221 (sn:0-99999999)

Crankcase Cover Subassembly

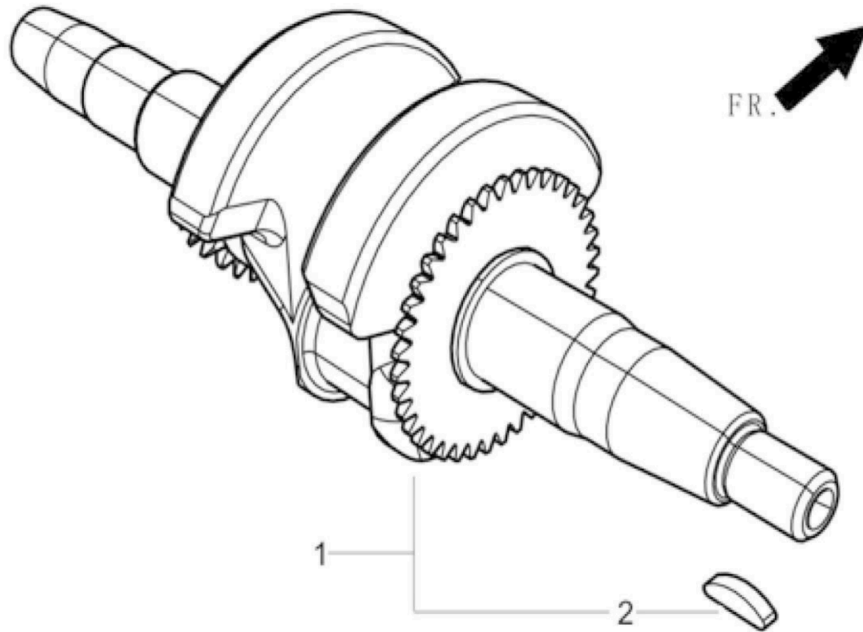


Id	Item #	Description	Quantity	Rev	Comments
1	45-0481	COVER-CRANKCASE	1		
2	45-0478	BEARING-GOVERNOR GEAR	1		
3	45-0479	SEAL-OIL	1		
4	45-0482	GASKET-CRANKCASE	1		
5	45-0329	PIN	2		
6	45-0483	OIL DIPSTICK SUBASSY	1		
8	45-0594	OIL PLUG SUBASSY	1		
9	45-0532	BOLT-M8X1.25X32 FLANGE	6		



Mi-T-M Corporation / Engines / 1-0221 / 1-0221 / 1-0221 (sn:0-99999999)

Crankshaft Assembly

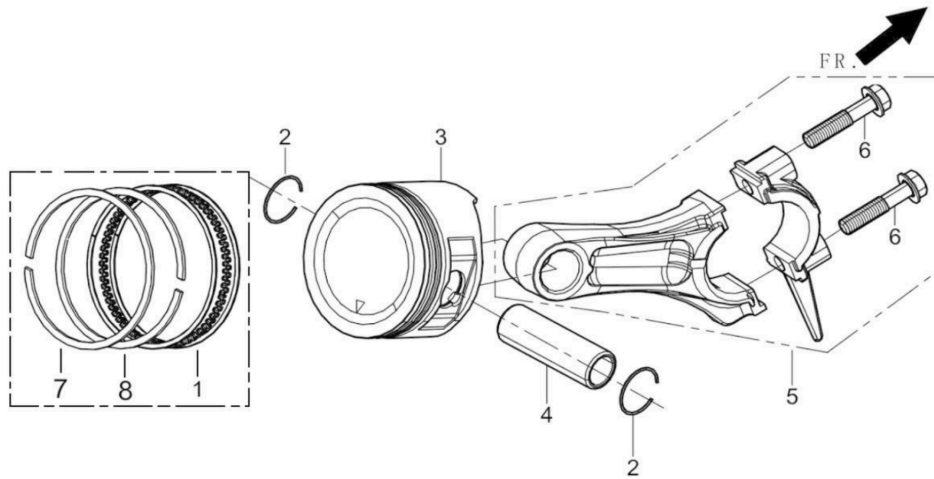


Id	Item #	Description	Quantity	Rev	Comments
1	45-0484	CRANKSHAFT ASSY	1		



Mi-T-M Corporation / Engines / 1-0221 / 1-0221 / 1-0221 (sn:0-99999999)

Piston Subassembly

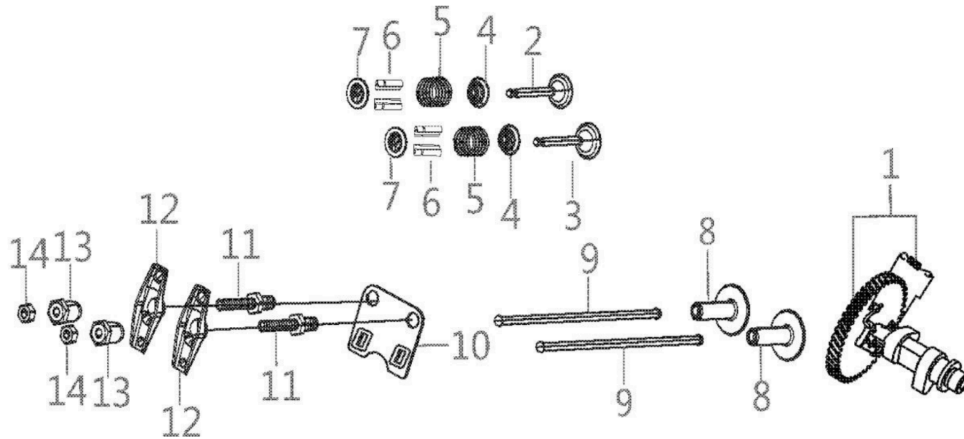


Id	Item #	Description	Quantity	Rev	Comments
1	45-0490	OIL RING SET	1		
2	45-0350	CLIP-PISTON PIN	2		
3	45-0485	PISTON-70mm BORE	1		
4	45-0486	PISTON PIN	1		
5	45-0487	CONNECTING ROD	1		
7	45-0488	RING-THE FIRST	1		
8	45-0489	RING-THE SECOND	1		



Mi-T-M Corporation / Engines / 1-0221 / 1-0221 / 1-0221 (sn:0-99999999)

Valve Train//Camshaft Subassembly

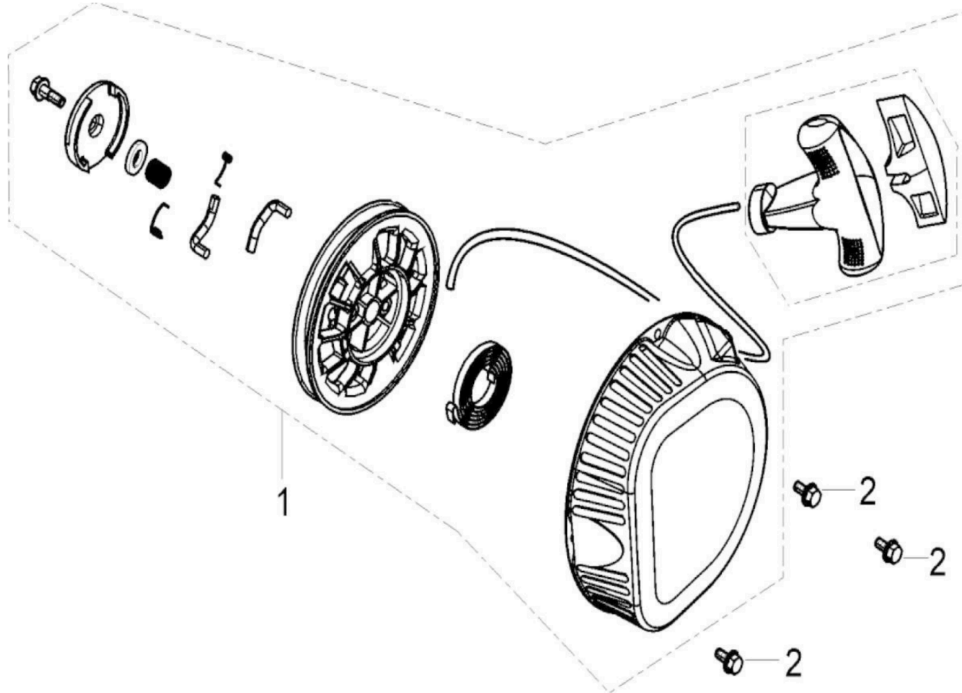


Id	Item #	Description	Quantity	Rev	Comments
1	45-0491	CAMSHAFT ASSY	1		
2	45-0492	VALVE-EXHAUST	1		
3	45-0493	VALVE-INTAKE	1		
4	45-0496	GUIDE-SEAL	2		
5	45-0501	VALVE-SPRING	2		
6	45-0547	CLIP VALVE LOCK	4		
7	45-0494	SEAT-VALVE SPRING	2		
8	45-0497	VALVE-TAPPET	2		
9	45-0498	VALVE LIFTER SUBASSY	2		
10	45-0499	LIFTER STOPPER PLATE	1		
11	45-0270	BOLT-VALVE ADJUSTING	2		
12	45-0500	VALVE ROCKER	2		
13	45-0271	NUT-VALVE ADJUSTING	2		
14	45-0269	NUT-VALVE LOCK	2		



Mi-T-M Corporation / Engines / 1-0221 / 1-0221 / 1-0221 (sn:0-99999999)

Recoil Starter

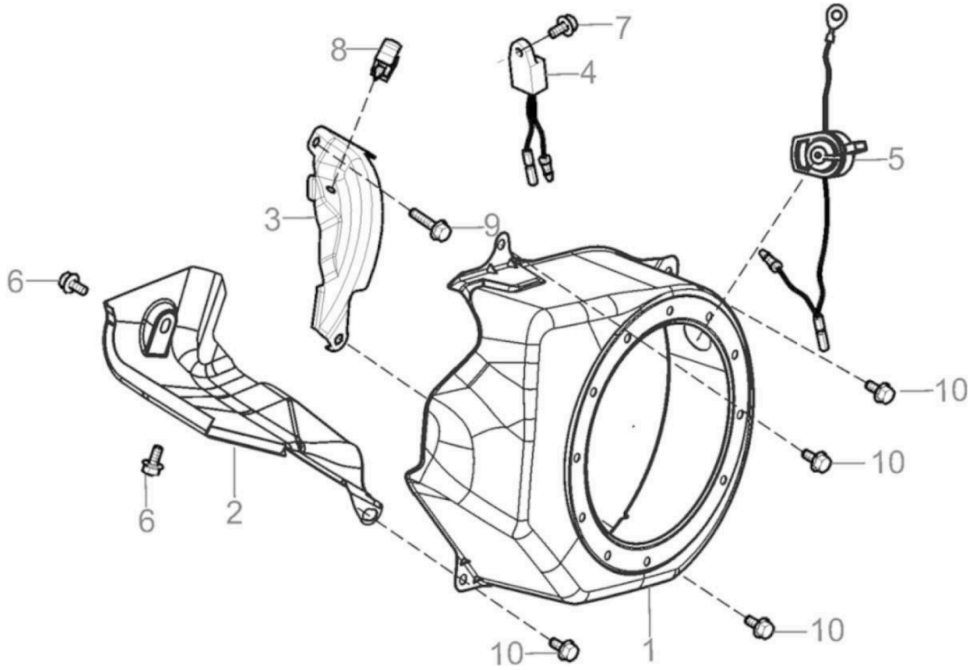


Id	Item #	Description	Quantity	Rev	Comments
1	45-0502	RECOIL STARTER ASSY	1		
2	45-0381	BOLT-RECOIL STARTER	3		



Mi-T-M Corporation / Engines / 1-0221 / 1-0221 / 1-0221 (sn:0-99999999)

Shrouds

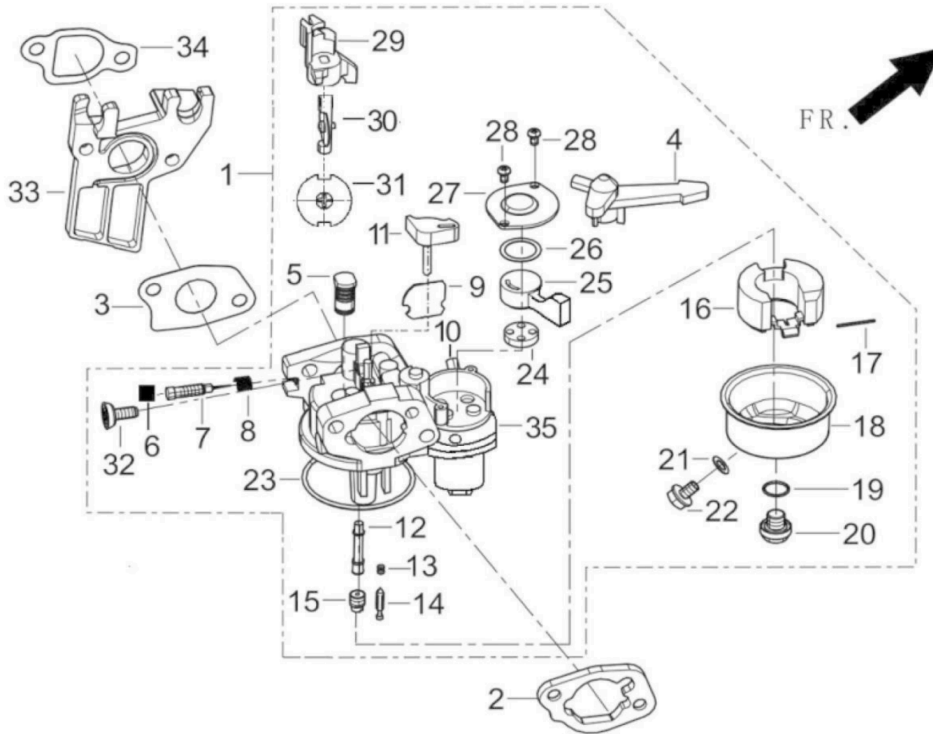


Id	Item #	Description	Quantity	Rev	Comments
1	45-0503	SHROUD-IMPELLER	1		
2	45-0504	SHROUD-CYLINDER BODY	1		
3	45-0505	LOWER SHIELD	1		
4	45-0313	PROTECTOR-OIL	1		
5	45-0506	SWITCH-STOP ENGINE	1		
6	45-0533	BOLT-SHROUD-M6X1X10 FLANGE	2		
7	45-0315	BOLT- M6x1.0x12mm	1		
8	45-0507	CLIP-SHROUD	1		
9	45-0316	BOLT	1		
10	45-0315	BOLT- M6x1.0x12mm	4		



Mi-T-M Corporation / Engines / 1-0221 / 1-0221 / 1-0221 (sn:0-99999999)

Carburetor Assembly

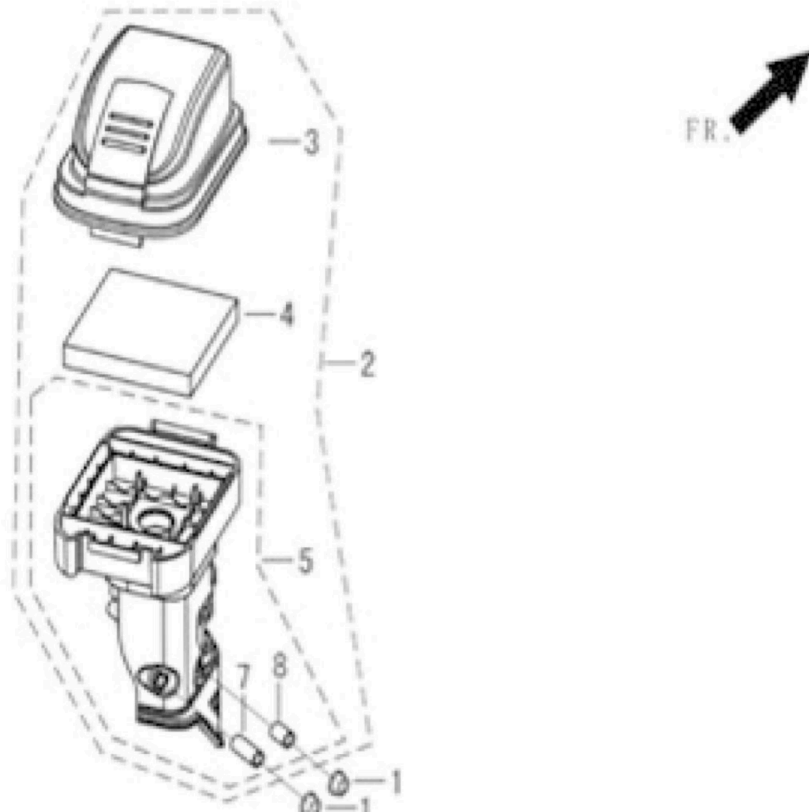


Id	Item #	Description	Quantity	Rev	Comments
1	45-0508	CARBURETOR ASSY	1		
2	45-0509	GASKET-AIR CLEANER	1		
3	45-0201	GASKET-CARBURETOR	1		
33	45-0510	PLATE-CARBURETOR INSULATOR	1		
34	45-0511	GASKET-CARBURETOR INSULATOR	1		



Mi-T-M Corporation / Engines / 1-0221 / 1-0221 / 1-0221 (sn:0-99999999)

Air Cleaner

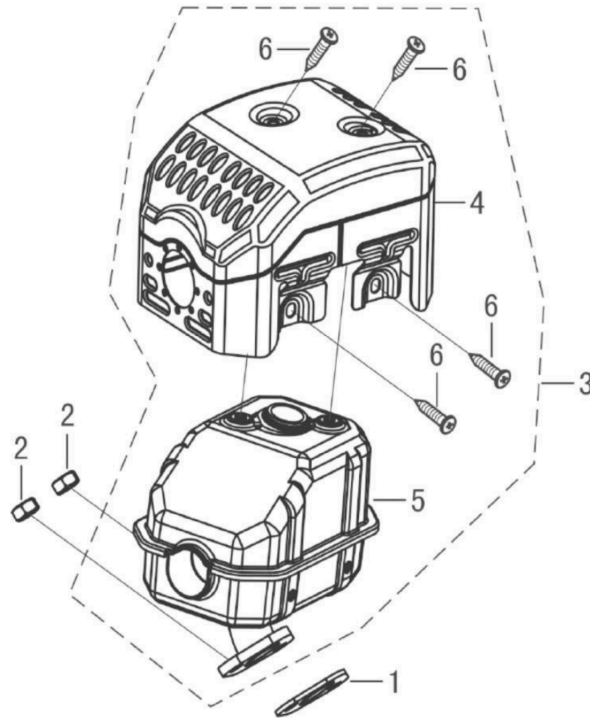


Id	Item #	Description	Quantity	Rev	Comments
1	45-0324	NUT	2		
2	45-0512	AIR CLEANER	1		
4	45-0686	AIR CLEANER ELEMENT	1		



Mi-T-M Corporation / Engines / 1-0221 / 1-0221 / 1-0221 (sn:0-99999999)

Muffler Assembly

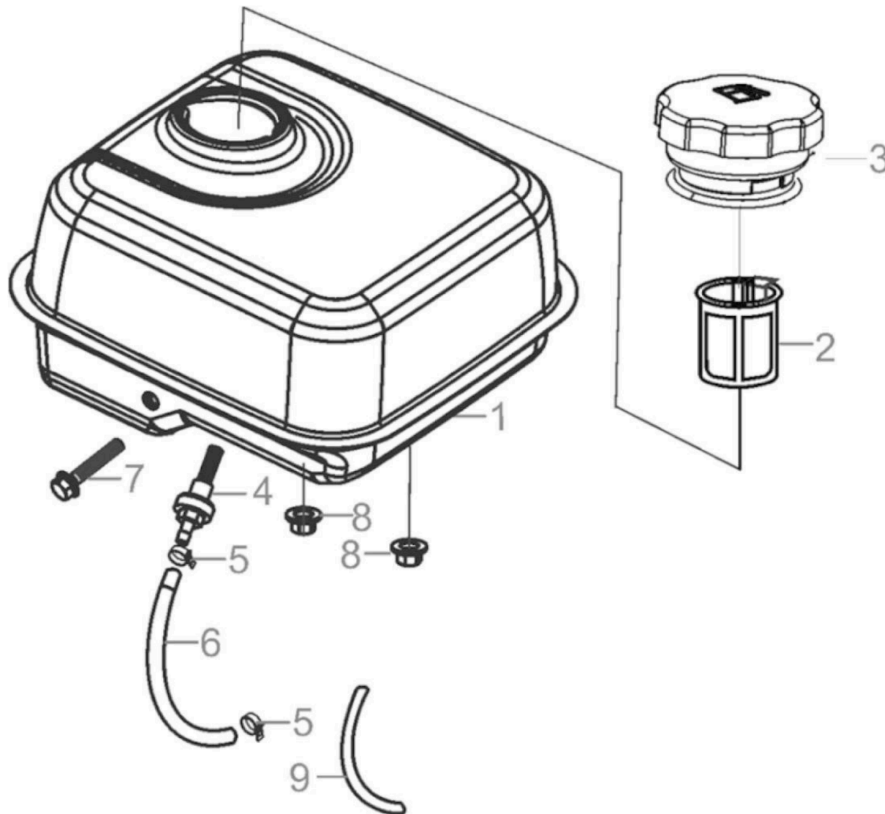


Id	Item #	Description	Quantity	Rev	Comments
1	45-0513	GASKET-EXHAUST OUTLET	1		
2	45-0534	NUT-MUFFLER	2		
3	45-0514	MUFFLER ASSY-212CC	1		



Mi-T-M Corporation / Engines / 1-0221 / 1-0221 / 1-0221 (sn:0-99999999)

Fuel Tank Assembly

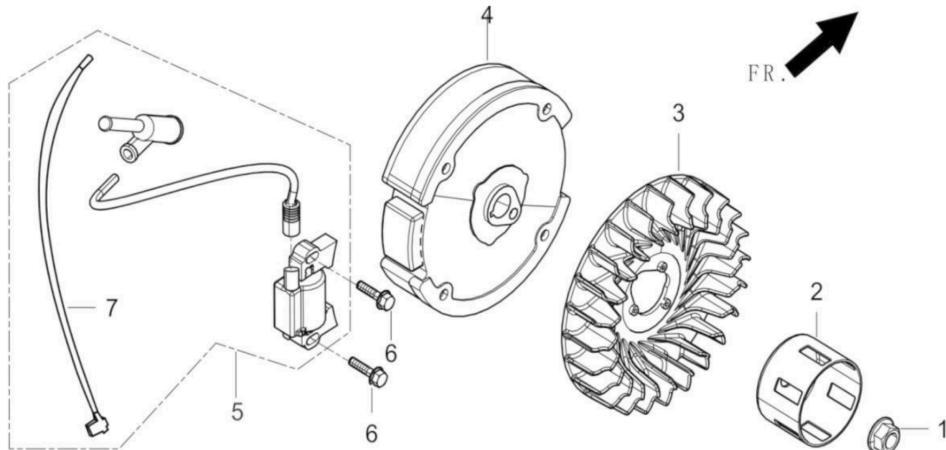


Id	Item #	Description	Quantity	Rev	Comments
1	45-0515	FUEL TANK-212CC	1		
2	45-0411	STRAINER-FUEL	1		
3	45-0516	CAP-FUEL TANK	1		
4	45-0289	FUEL TANK-OIL SUBASSY	1		
5	45-0517	CLAMP	2		
6	45-0518	HOSE-FUEL 5mm	1		
7	45-0319	BOLT-FUEL TANK	1		
8	45-0324	NUT-FUEL TANK	2		
9	45-0519	HOSE-AIR CLEANER	1		



Mi-T-M Corporation / Engines / 1-0221 / 1-0221 / 1-0221 (sn:0-99999999)

Flywheel//Impeller/Starter Pulley/Ignition Coil

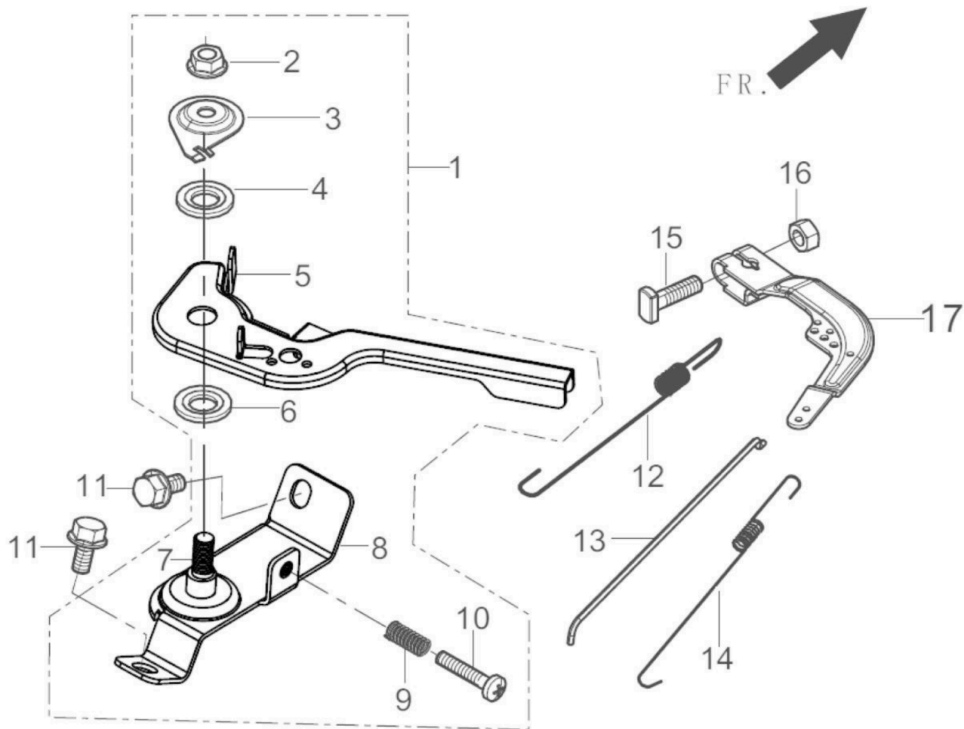


Id	Item #	Description	Quantity	Rev	Comments
1	45-0520	NUT-FLYWHEEL	1		
2	45-0521	PULLEY-STARTER	1		
3	45-0522	IMPELLER	1		
4	45-0523	FLYWHEEL SUBASSY	1		
5	45-0524	IGNITION COIL	1		
6	45-0535	BOLT-IGNITION COIL-M6X1X25FLA	2		



Mi-T-M Corporation / Engines / 1-0221 / 1-0221 / 1-0221 (sn:0-99999999)

Throttle Control Assembly



Id	Item #	Description	Quantity	Rev	Comments
1	45-0525	THROTTLE CONTROL ASSY	1		
11	45-0533	BOLT-SHROUD-M6X1X10 FLANGE	2		
12	45-0526	SPRING-GOVERNOR	1		
13	45-0527	ROD-GOVERNEOR	1		
14	45-0528	SPRING-THROTTLE VALVE RETURN	1		
15	45-0282	BOLT-GOVERNOR SUPPORT	1		
16	45-0324	NUT	1		
17	45-0529	GOVERNOR SUPPORT SUBASSY	1		