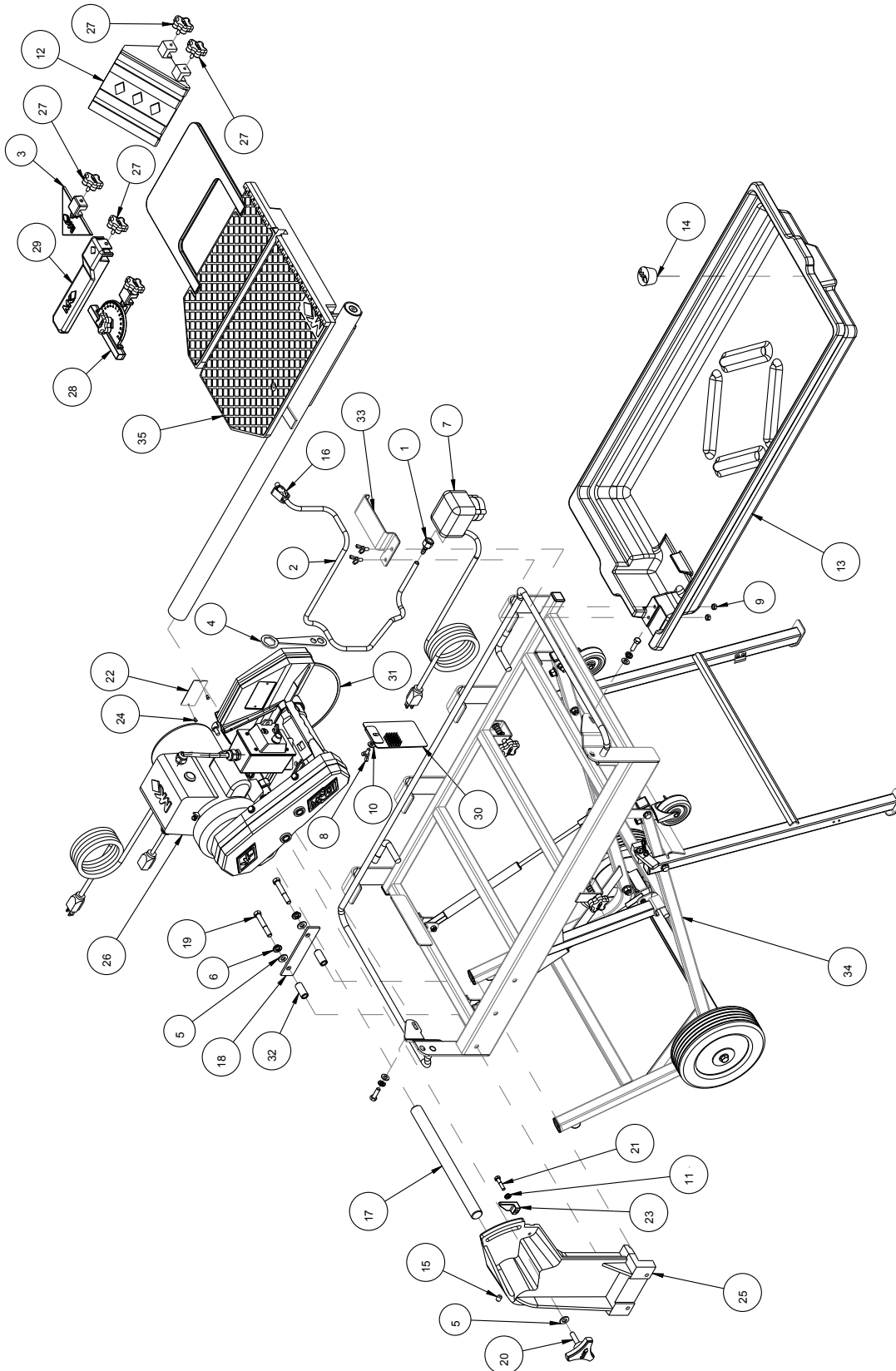


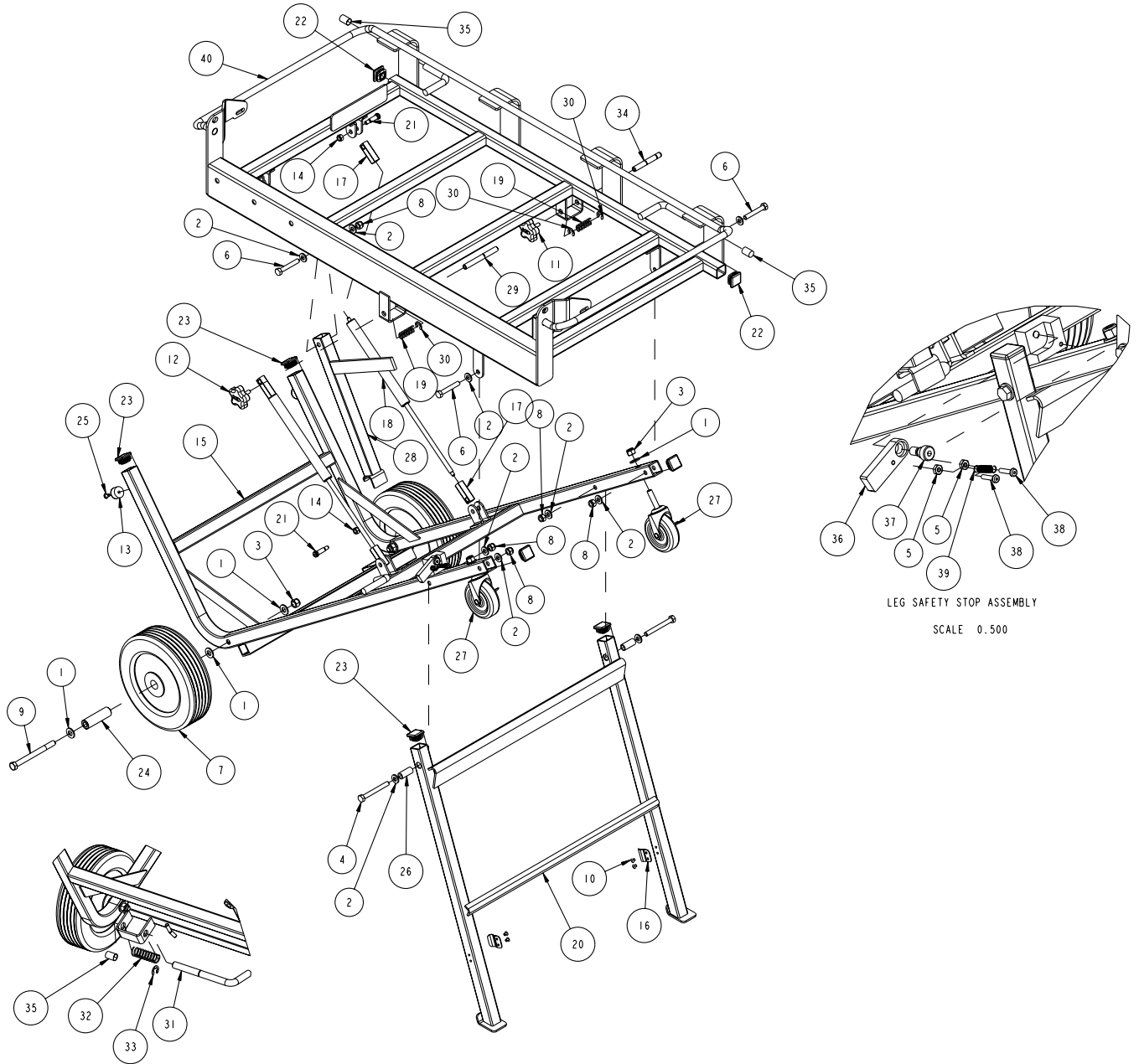
MK-101 PRO24 JCS P/N 1553243-JCS



## MK-101 PRO24 JCS P/N 1553243-JCS

Item	Description	Part#	Qty
1	FITTING, PLASTIC, 1/4 FNPT X 1/4 BARB	128397	1
2	HOSE, VINYL, 1/4 X 3/8 TSAW	132951	1
3	CASTING, ACC DUAL FLAT-COMP	134577	1
4	WRENCH, TILES AW, 15/16 CSD END	134684	1
5	WASHER, FLAT, SAE, 3/8	150923	3
6	WASHER, LOCK, SPLIT, 3/8	150925	3
7	PUMP, WATER 115V/60HZ UL/CSA	151271	1
8	SCREW, WING, 1/4 - 20 X 1/2	151888	3
9	NUT, HEX, 1/4 - 20	151893	2
10	WASHER, 1/4 SAE FLAT	151915	1
11	WASHER, 1/4 SPLIT COCK	152591	2
12	CASTING, ACC BULLNOSE LRG - COMP	153201	1
13	PAN, WATER	153262	1
14	PLUG, RBBR DRAIN W/O HOLE	153439	1
15	SCREW, SET, SOC, CUPT, 3/8 - 16 X 1/2	153710	1
16	CLAMP, HOSE 1/2 - 3/4	154394	1
17	SHAFT, 12.88 PIVOT	155530	1
18	PLATE, PRESSURE	155671	1
19	SCREW, 3/8 - 16 X 1/2 HEX HEAD CAP	156030	2
20	KNOB, TRI PLASTIC MK-660 1 - 1/2	156770-02	1
21	SCREW, HEX HD 1/4_20 X 1-1/4	157145	1
22	TAG, SERIAL NUMBER, BLANK	157500-RW	1
23	STOP, CUTTING HEAD	157728	1
24	DRIVE SCREW, #7 X 5/16 ROUND HEAD	157849	2
25	CASTING, POST, PRO24 OFFSET-COMP	158405	1
26	ASSY, DC CUTTING HD, MK-101PRO	158481	1
27	KNOB, RUBBER, 1/4 - 20 X 3/4" LONG	159428-1	4
28	PROTRACTOR, 90 DEG	159429	1
29	RIP GUIDE, LARGE DIE CAST (COMP)	159751-RW	1
30	GUARD, SPLASH	160310	1
31	MK-225 10 X 050 X 5/8 4 MM SAWS	160593	1
32	SPACER, 5/8 X .385 X 1.4	160654	2
33	CLAMP, PUMP HOLDING	162054	1
34	ASSY, PORTABLE STAND, JCS	169218	1
35	ASSY, TABLE, PRO-24 JCS	169220	1

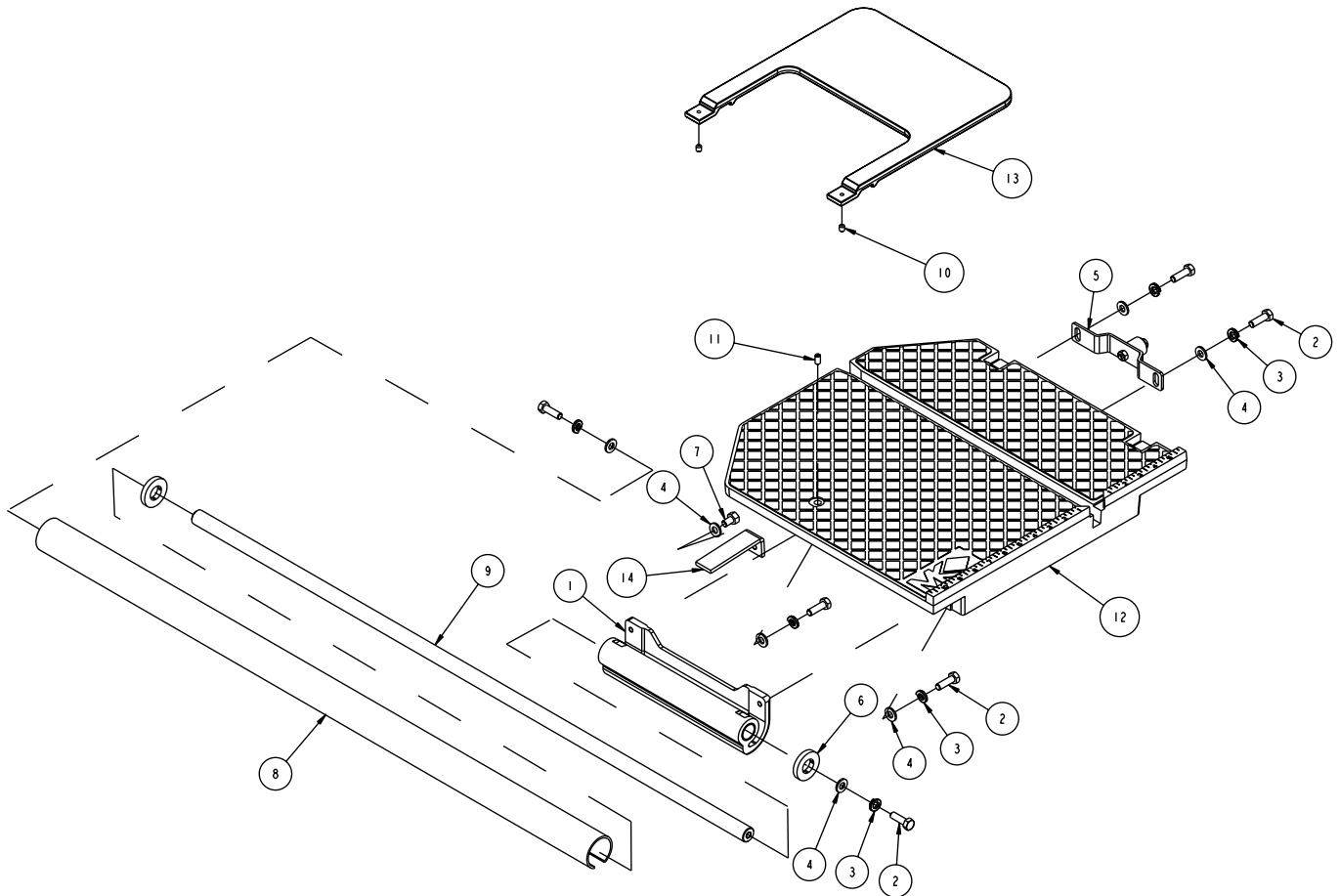
ASSEMBLY JCS PORTABLE STAND P/N 169218



## ASSEMBLY JCS PORTABLE STAND P/N 169218

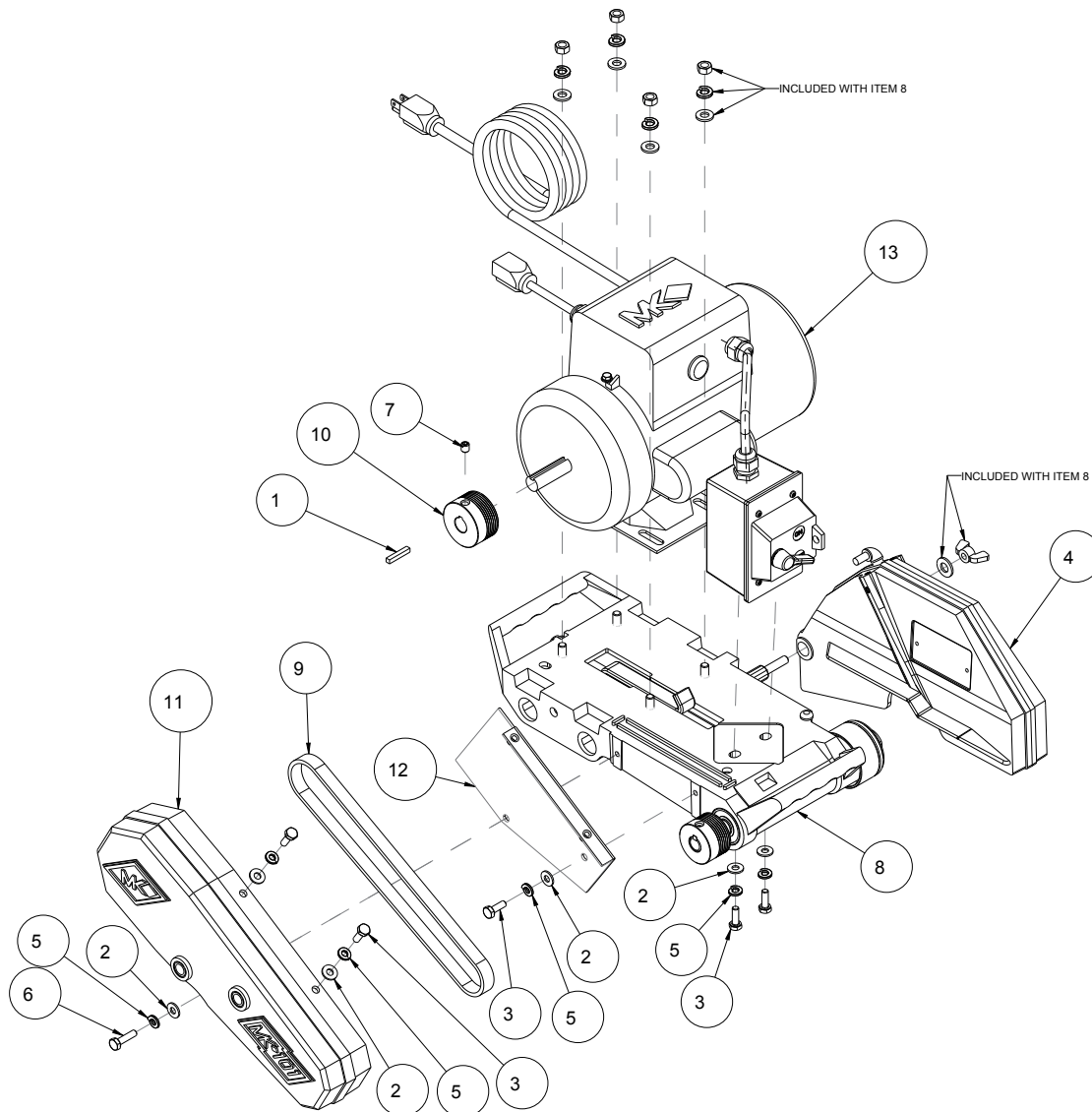
Item	Description	Part#	Qty
1	WASHER, FLAT, SAE, 3/8	150923	8
2	WASHER, FLAT, SAE, 5/16	151754	10
3	NUT, 3/8 16 NYLOK HEX	152505	4
4	SCREW, 5/16 - 18 X 1 HEX HEAD MACHINE	152520	2
5	NUT, HEX, 8 -32	153549	2
6	SCREW, 5/16 -1 8 X 2 HEX HEAD	155494	2
7	WHEEL, REAR 8"	155986	2
8	NUT, HEX, NYLK, 5/16 - 18	158289	5
9	SCREW, HEX HD, 3/8 - 18 X 4 - 1/4	158604	2
10	RIVET, DOME, 5/32 X .338	158805	4
11	KNOB, RUBBER, 1/4 - 20 X 3/4" LONG BLUE	159428-1B	1
12	KNOB, RUBBER, 1/4 - 20 X 3/4" LONG	159428-1G	1
13	STOP, RUBBLE BUMPER	159855	2
14	NUT, HEX, HYL, 1/4 -20	159857	4
15	WELDMENT, REAR SUPPORT	160693	1
16	PLATE, SPRING	160694	2
17	FITTING, SPRING, GAS, 1 - 1/4"	160695	4
18	SPRING, GAS, 600N STABILOUS	160696	2
19	SPRING, 1/2 X .040 X 1.75"	160697	2
20	WELDMENT, FRONT SUPPORT	160700	1
21	SCREW, SHOULDER, 5/16 X 3/4	160726	4
22	PLUG, PLASTIC, 1 SQ - 14-20 GA	160727-1	2
23	PLUG, PLASTIC, 1 SQ - 10-14 GA	160727-2	6
24	SPACER, 3/4 X 3/8 X 2 - 1/2	160728	2
25	RIVET, CLOSE END, 3/16, DOME STYLE	160729-3	2
26	SPACER, 1/2 X 5/16 X 1 - 1/8	160732	2
27	CASTER, SWIVEL, 3 - 3/8 - 16 STEM	160735	2
28	WELDMENT, VERTICAL SUPPORT	160934	1
29	PIN, LOCKING	160936	1
30	RING, RETAINING, .375 X .035	161171	3
31	PIN, LOCKING (WHEEL)	162051	1
32	SPRING, .600X .045 X 2.25	162052	1
33	RING, RETAINING, .500X .042	162053	1
34	PIN, LOCKING (FRAME)	162055	1
35	CAP, VINYL, 1/2" - 9/16 X .75	162057	3
36	LATCH, FRONT SAFETY	162540	1
37	SCREW, SHOULDER, 5/16 X 2	162555	1
38	SCREW, BTTN, ALN, CAP, #8 - 032 X 3/4	162557	2
39	SPRING, EXTENSION, .25 X .94 X .02	162558	1
40	WELDMENT, FRAME	168827	1

MK-101 PRO24 JCS P/N 169220



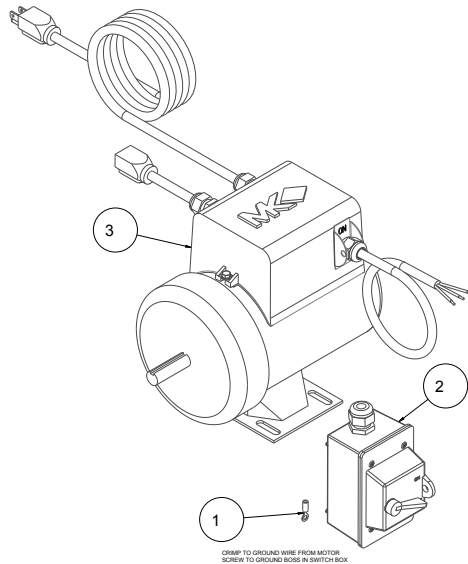
Item	Description	Part#	Qty
1	CASTING, 101/990 LNR BRG MT-COM	135855	1
2	SCREW, HEX HD, 5/16 - 18 X 1	151743	6
3	WASHER, LOCK, SPLIT, 5/16	151747	6
4	WASHER, FLAT, SAE, 5/16	151754	7
5	ASSEMBLY, ROLLER WHEEL	151756	1
6	SPACER, GUIDE BAR COVER, COMMON	152393	2
7	SCREW, 5/16 - 187 X 1/2 HEX HEAD MACHINE	152473	1
8	COVER, 3/4 X 37 GUIDE BAR	153219	1
9	BAR, 3/4 X 37 LINEAR GUIDE, 101	153492	1
10	SCREW, 1/4 - 20 X 5/16 SOCKET HEAD SET	154223	2
11	SCREW, 1/4 - 20 X 1/2 SOCKET HEAD SET	155804	1
12	TABLE, PRO24, OVERMOLD (COMP)	161182	1
13	TABLE, EXTENSION (COMP)	162075	1
14	BRACKET, TABLE STOP	169222	1

MK-101 PRO24 P/N 158478



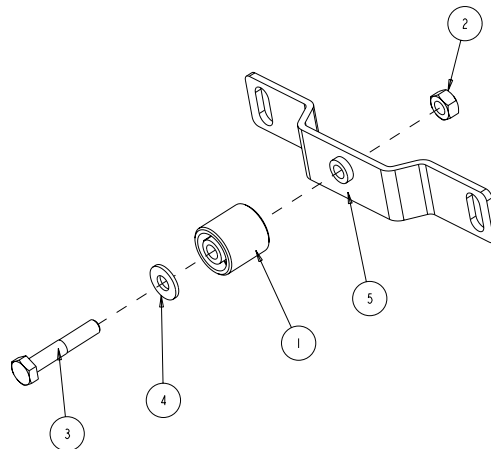
Item	Description	PART #	QTY.
1	KEY, 3/16 SQ X 1 - 1/8	150344	1
2	WASHER, FLAT, SAE, 1/4	151915	6
3	SCREW, HEX HD, 1/4 - 20 X 3/4	152370	5
4	ASSY, BLADE GUARD, 101	152582	1
5	WASHER, LOCK, SPLIT, 1/4	152591	6
6	SCREW, HEX HD, TAP, 1/4 - 20 X 1	152676	1
7	SCREW, 5/16 - 18 X 3/8 SOCKET HEAD SET	157083	1
8	ASSY, SUB, CTTG HEAD MK-101	158191	1
9	BELT, 6J260	158194	1
10	PULLEY, 6J19 X 5.8 BORE	158199	1
11	CASTING, 101 BELT GUARD - COMP	158319-01	1
12	BRACKET, INNER BELTGUARD	158611	1
13	ASSY, MTR, 1-1/2 HP 120V 60HZ	160486	1

**ASSEMBLY MOTOR P/N 160486**



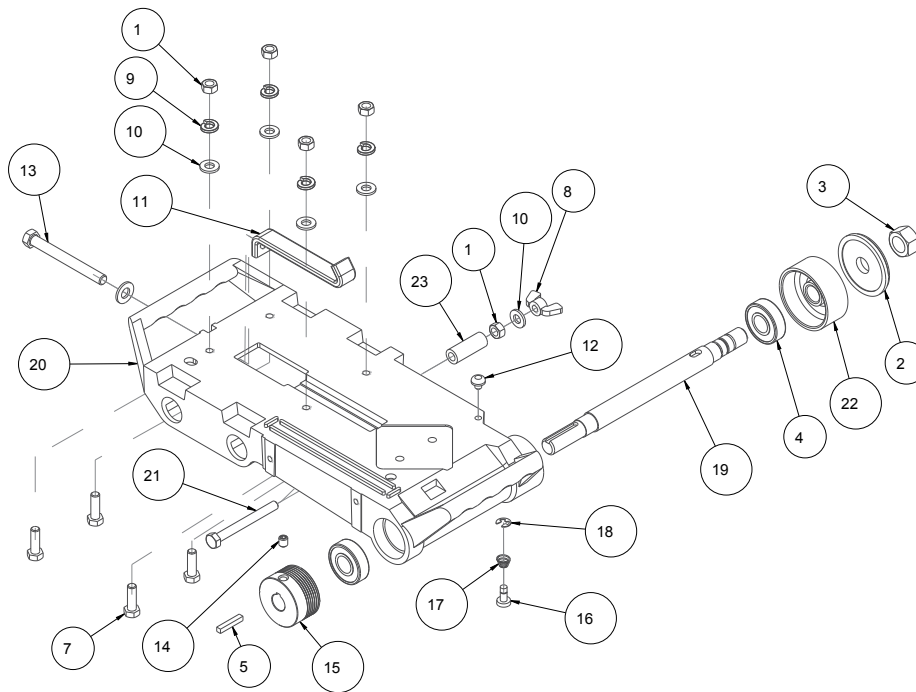
ITEM	DESCRIPTION	Part #	Qty
1	TERMINAL, 16 - 14 X #10 RING PI	152465	1
2	ASSY, SWITCH BOX, 30AMP, LTF1/2	172836-1	1
3	MTR, 1-1/2HP, 115V, SBOX, GRN	169223G	1

**ASSEMBLY ROLLER WHEEL P/N 152582**



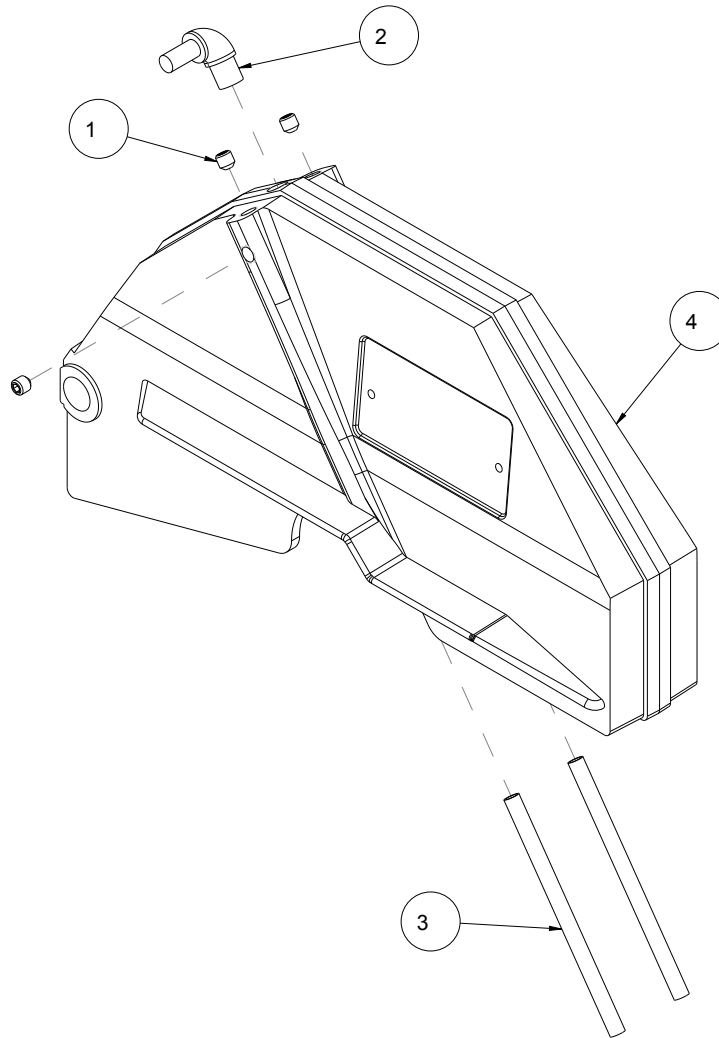
Item	Description	Part#	Qty
1	WHEEL, ROLLER	151799	1
2	NUT, 1/4 - 20 HEX	151893	1
3	BELT, MICRO-V, 260J6	151914	1
4	WASHER, 1/4 SAE FLAT	151915	1
5	BRACKET, ROLLER WHEEL	154021	1

## ASSEMBLY CUTTING HEAD P/N 158191






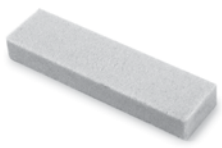
ITEM #	DESCRIPTION	PART #	QTY.
1	NUT, HEX, 5/16 - 18	101196	5
2	FLANGE, OUTER, 2 - 3/8	135830	1
3	NUT, HEX, 5/8-18	135848	1
4	BEARING, BALL, 17X40X12MM	137711	2
5	KEY, 3/16 SQ X 1-1/8	150344	1
6	WASHER, FLAT, SAE, 3/8	150923	1
7	SCREW, HEX HD, 5/16-18X1	151743	4
8	NUT, WING, NYLK, 5/16-18	151746	1
9	WASHER, LOCK, SPLIT, 5/16	151747	4
10	WASHER, FLAT, SAE, 5/16	151754	5
11	STRAP, 1 INCH, MOTOR ADJ.	152673	1
12	BUMPER, RUBBER, 1/2 DIA	152674	1
13	BOLT, 3/8-16 X 3-1/2 HEX HEAD TAP	153147	1
14	SCREW, 5/16-18 X 3/8 SOCKET HEAD SET	157083	1
15	PULLEY, 6J19 X 5/8 BORE	158199	1
16	BUTTON, SHAFT LOCK	158200	1
17	SPRING, BLADE SHAFT LOCK	158201	1
18	RING, 1/4 E-STYLE RETAINING	158202	1
19	SHAFT, BLADE	158222	1
20	CASTING, 10" CTTG HEAD - COMP	158224	1
21	SCREW, HEX HD, TAP, 5/16-18X3	162473	1
22	FLANGE, Ø 2-3/8 INNER	162758	1
23	SPACER, 9/16X5/16X1.5, PLAS	170824	1

**BLADE GUARD PART# 152582**



Item	Description	Part#	Qty
1	SCREW, 5/16 - 18 X 1/2 SOCKET HEAD SET	152607	3
2	ELBOW, 1/8 MNPT X 1/4 BARB 90DEG	154652	1
3	TUBE, WATER	155389	2
4	CASTING, 101 BLD GUARD-DC-COMP	162481	1

## ACCESSORIES

ITEM	NUMBER	DESCRIPTION	
1	137166	MK-200 10" x .060 x 5/8" Premium grade tile blades for fast, smooth, chip-free	
2	128074	MK-215 18" x .060 x 5/8" Supreme grade diamond blade for hard materials	
3	153252	MK-315 10" x .080 x 5/8" Supreme super hi-rim diamond blade	
4	134577-MK	Dual 45° Flat Angle Guide	
5	153201-MK	45° Bullnose Miter	
6	134569-MK	90° Protractor	
7	152792	Dressing Stone	
8	152610	Ground Fault Circuit Inter- rupter	