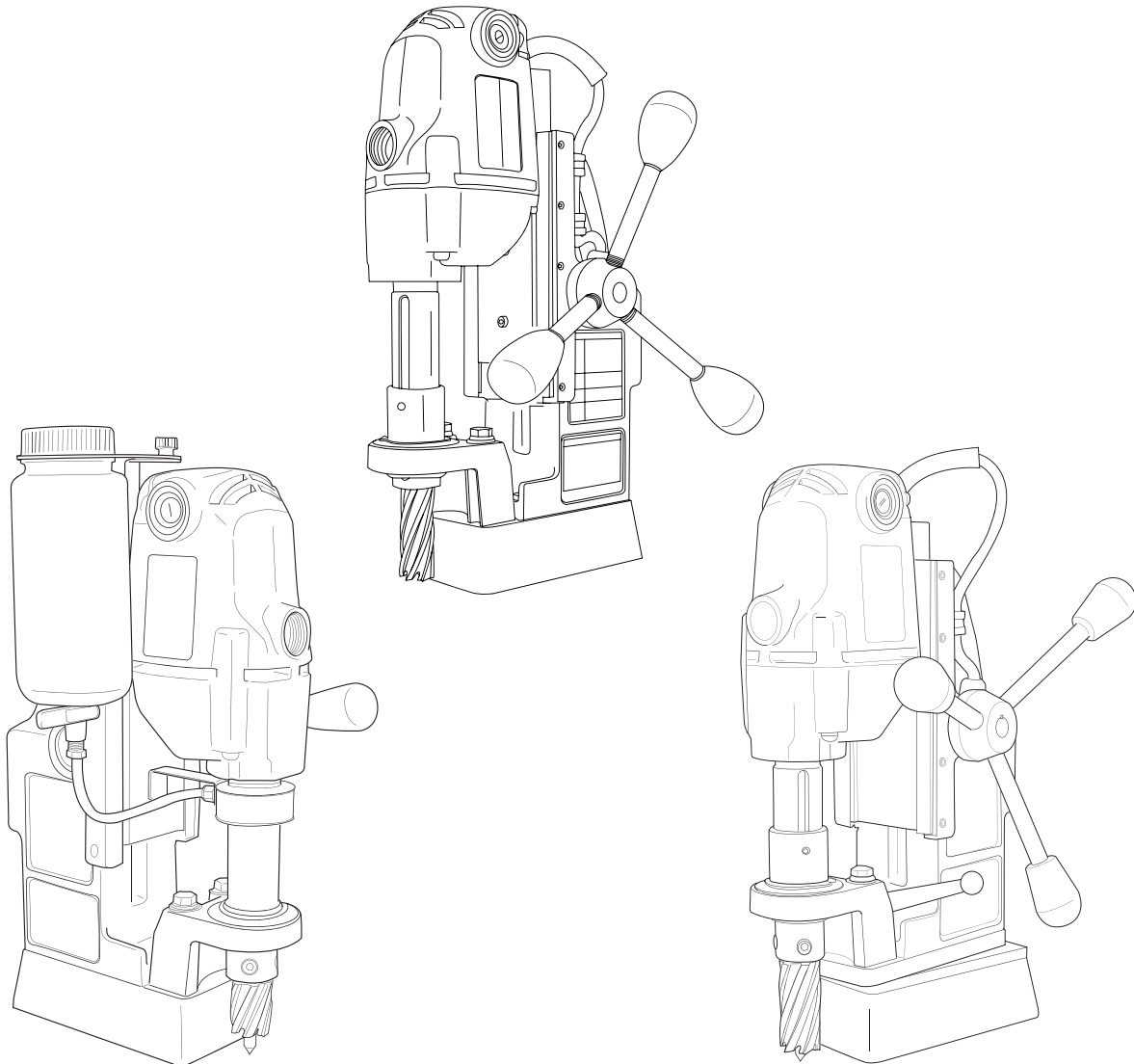




HMD908 SERIES PORTABLE MAGNETIC DRILLS

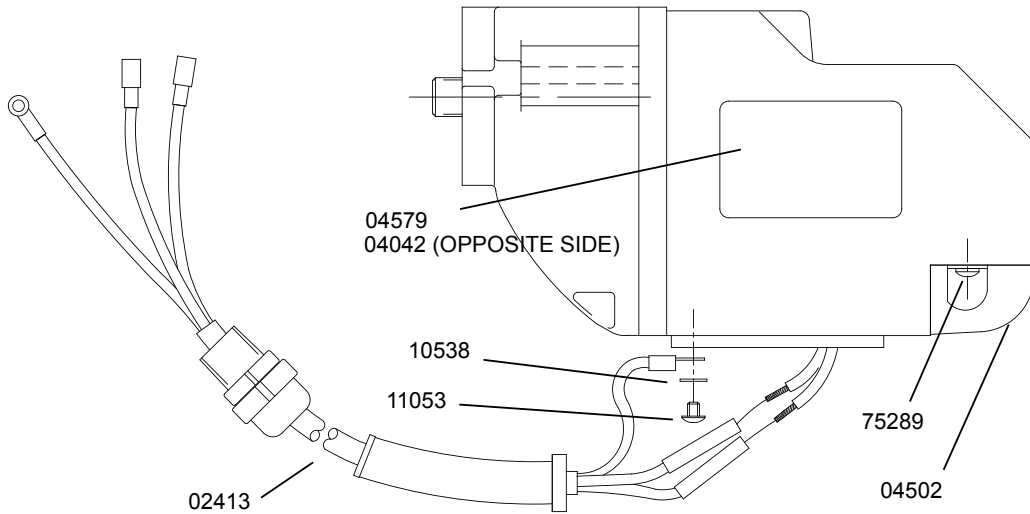
OPERATOR'S MANUAL

COVERS 0908201-1208, 0908203-1208, 0908302-1208, 0908304-1208,
0908402-1208 & 0908404-1208



FOR USE WITH "12,000-SERIES" HOUGEN[®] CUTTERS

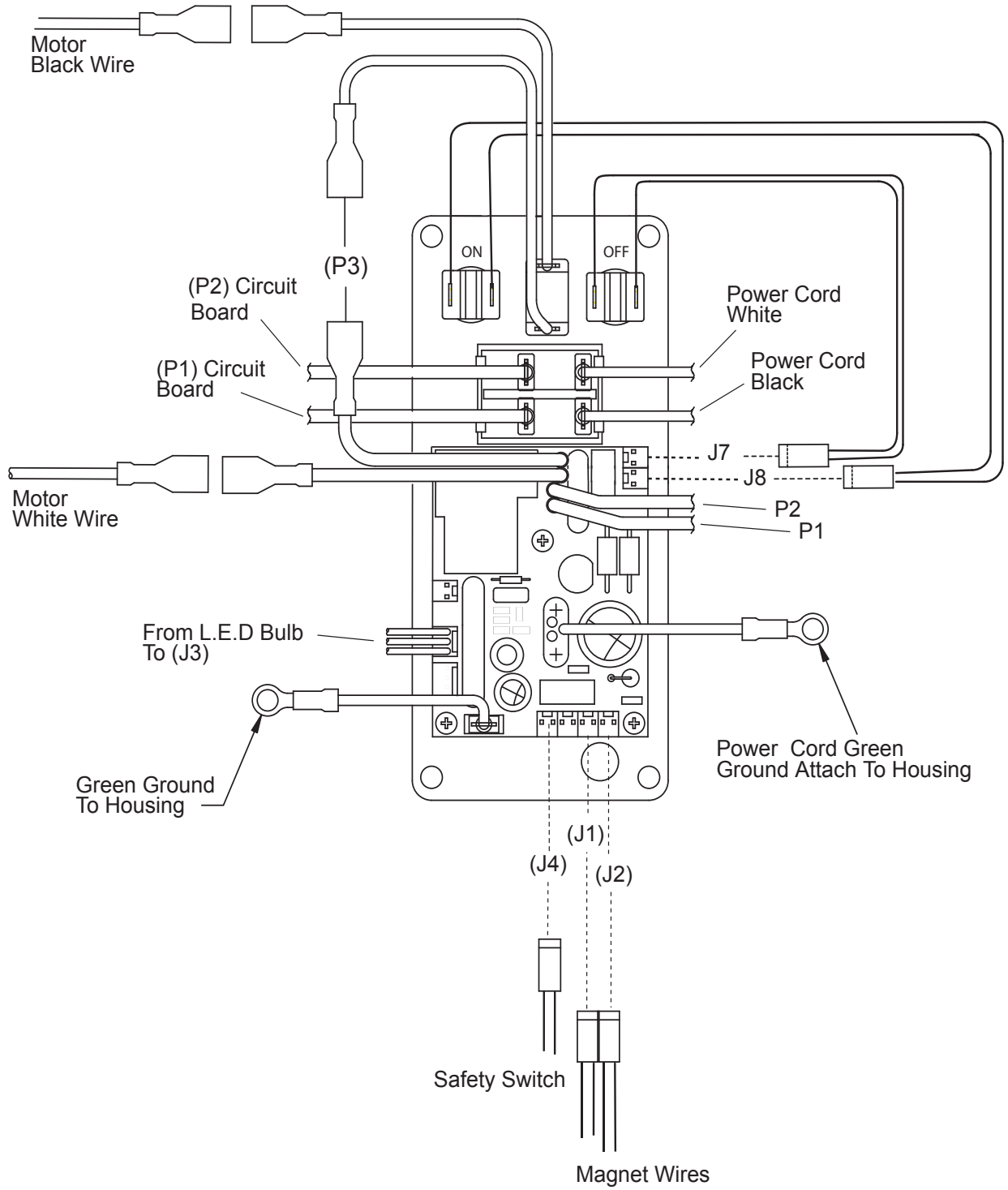
MOTOR PARTS DIAGRAM (CONT)



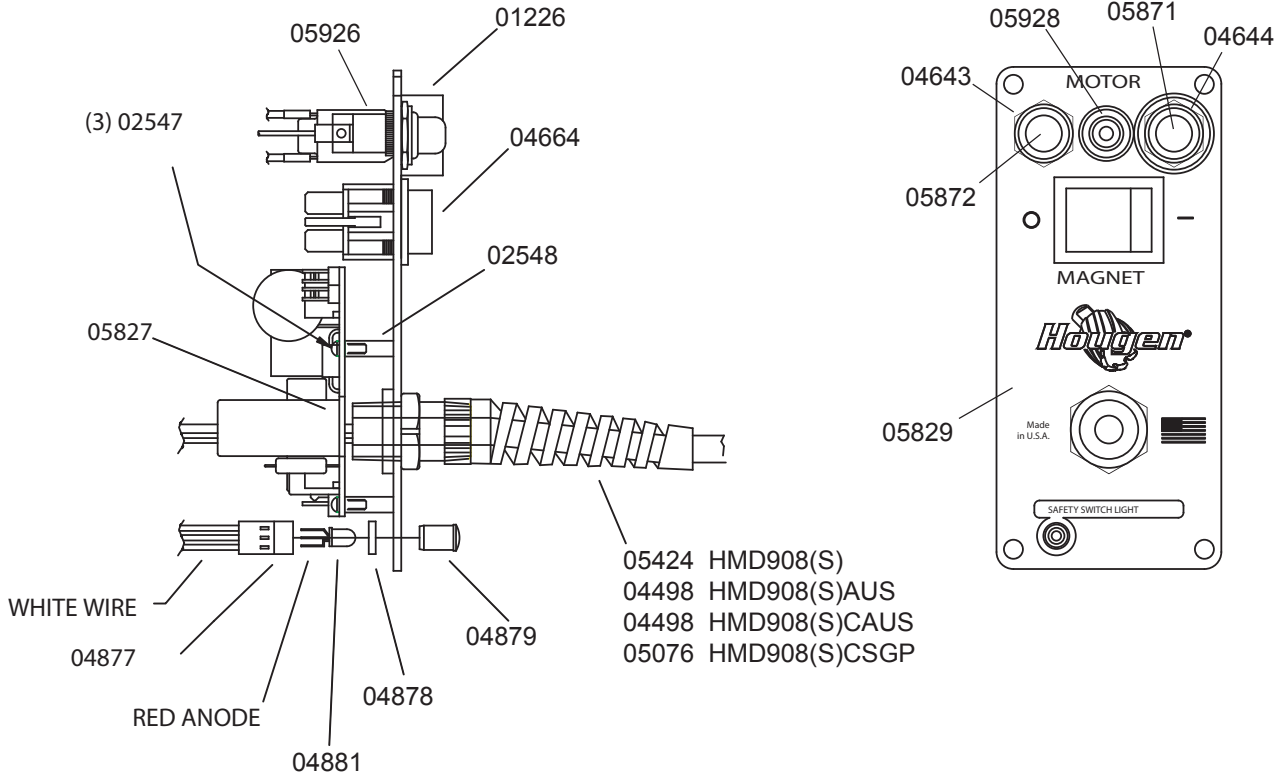
Motor Parts List

Part #	Description	Qty	Part #	Description	Qty
02413	Motor Cord	1	17613	Flat Washer	1
04502	Brush Cover	2	17614	Gear Housing	1
04042	Label, Motor Safety	1	17616	Spindle	1
04579	Label, Motor	1	17617	Fan Guide	1
05462	Spindle - Hex Drive	1	17618	Gasket	1
10538	Washer #8	1	17621	Carbon Brush (Pair)	1
11053	BHS Screw #8-32	1	17622	Brush Cap	2
17600	Field Case	1	17623	Pan Head Screw	2
17601	Gear Housing	1	17624	Pan Head Screw Short	2
17602	Ball Bearing	2	17625	Pan Head Screw Long	2
17603	Ball Bearing	1	17626	Retaining Ring	1
17604	Ball Bearing	1	17627	Retaining Ring	1
17605	Ball Bearing	1	17629	Field	1
17606	Dust Seal	1	17631	Armature	1
17607	1st Inter. Gear Assy	1	17632	Paper Washer	2
17608	2nd Inter. Gear Assy	1	17679	Brush Holder	2
17609	Spur Gear	1	17687	Lock Washer Heli M6	4
17610	Flat Washer	1	75150	Lock Washer Heli M5	2
17611	Key	1	75289	Pan Head Screw	2
17612	Dowel Pin	1			

CONTROL PANEL HOOK UP DIAGRAM



CONTROL PANEL PARTS - All Models



NOTE: WHEN INSERTING L.E.D. DETAIL#5 INTO
 HARNESS DETAIL#2 MAKE SURE FLAT ON BULB
 LINES UP WITH WHITE WIRE ON HARNESS.

CONTROL PANEL ASSEMBLIES COMPLETE

HMD908(S): 05290

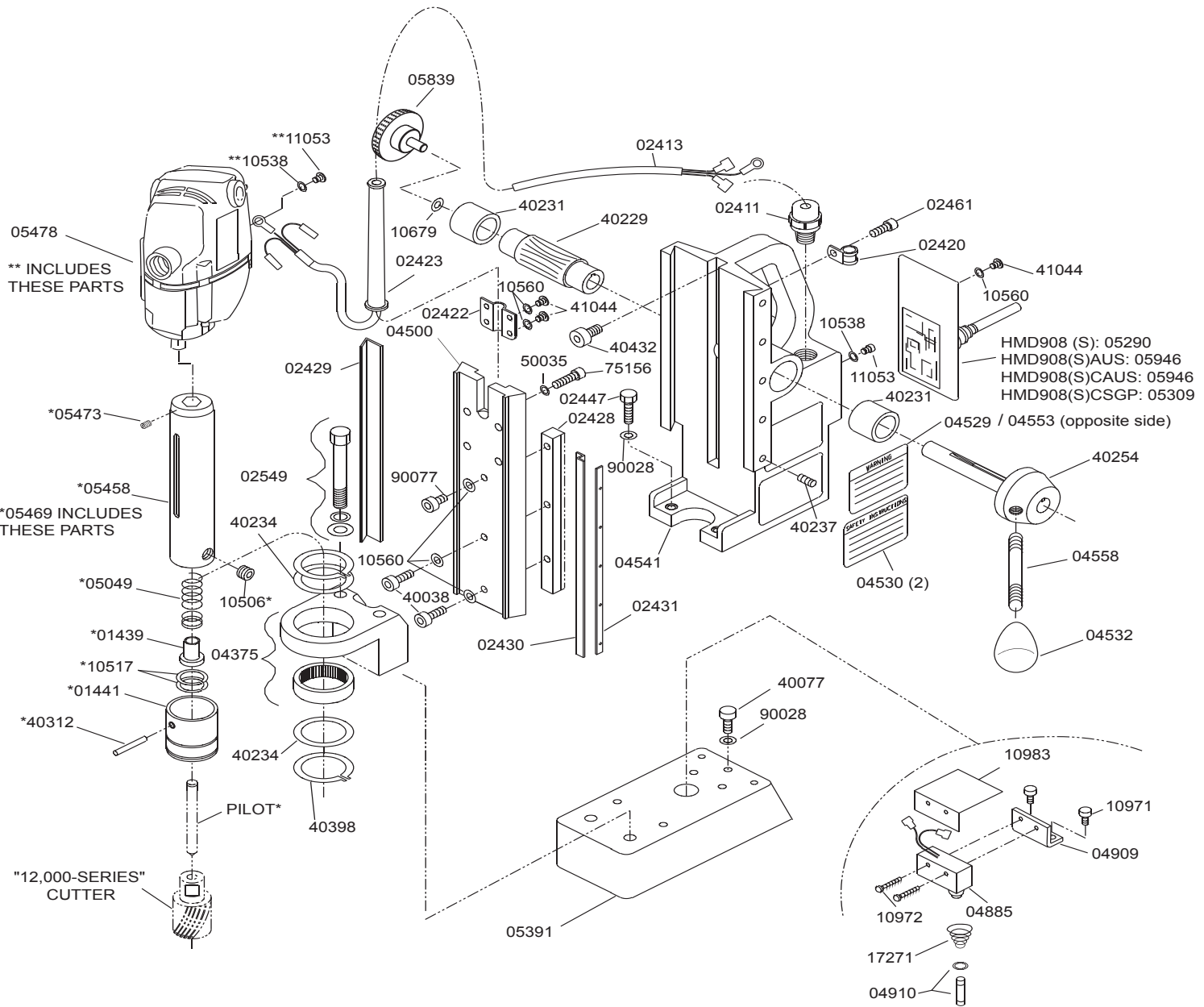
HMD908(S)AUS: 05946

HMD908(S)CAUS: 05946

HMD908(S)CSGP: 05309

Part #	Description	Qty	Part #	Description	Qty
01226	Switch Guard	1	04881	L.E.D Bulb	1
02547	#4-40 x 5/16 Screw	3	05076	Power Cord (HMD908CSGP)	1
02548	Stand-off 3/16 x 9/16	3	05205	Green Wire Assy,	1
04498	Power Cord (HMD908AUS)	1	05424	Power Cord (HMD908)	1
04498	Power Cord (HMD908CAUS)	1	05827	Circuit Board	1
04643	Red Switch Cover	1	05926	Circuit Breaker	1
04644	Green Switch Cover	1	05928	Circuit Breaker Boot	1
04664	Magnet Switch	1	05929	Faceplate	1
04877	Wire Harness	1	05871	Motor ON Switch	1
04878	Spacer	1	05872	Motor OFF Switch	1
04879	Clear Lens	1	90690	Cable Tie	1

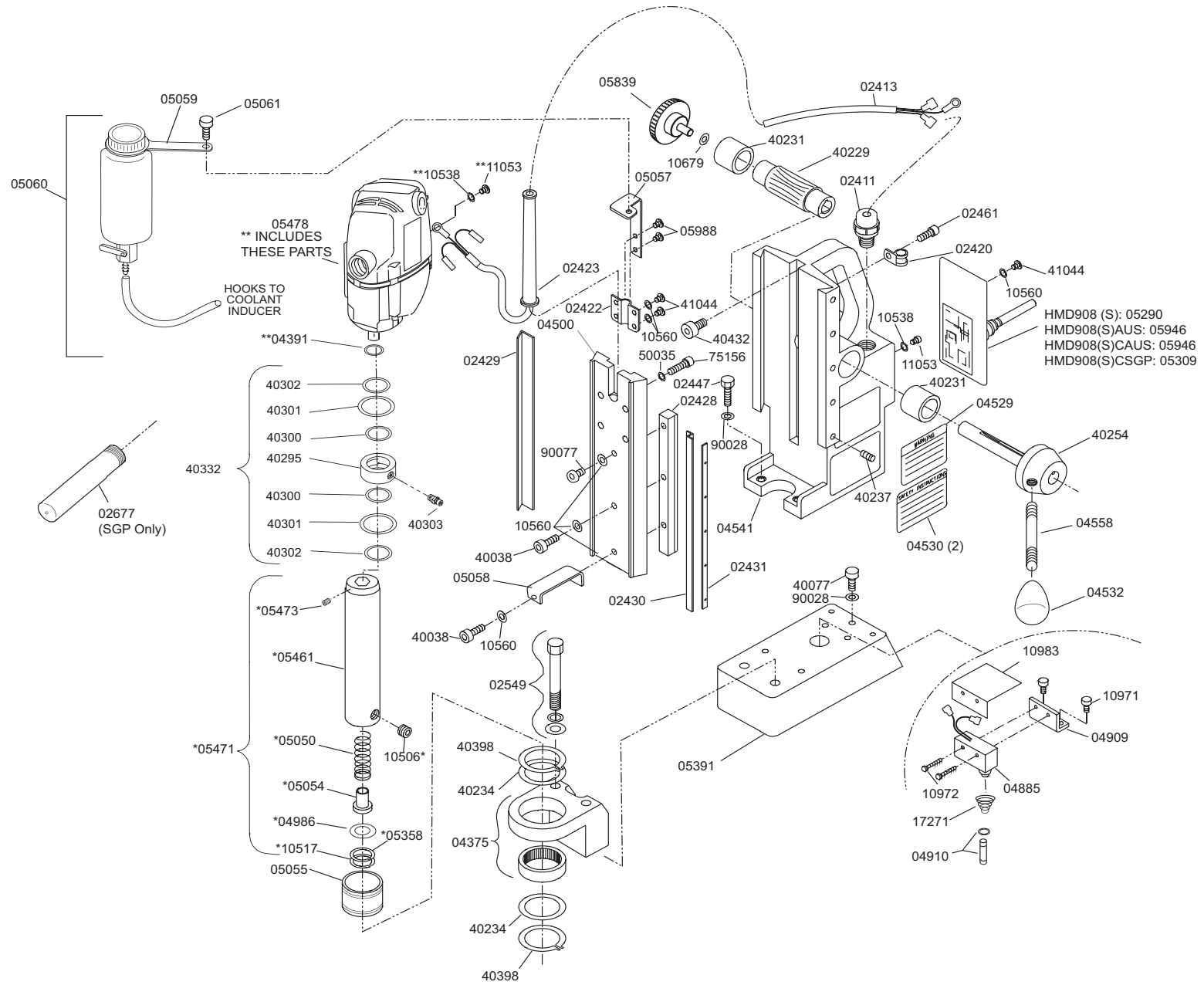
MODEL HMD908 SERIES EXPLODED DIAGRAM



HMD908 DRILL PARTS LIST

Part #	Description	Qty	Part #	Description	Qty
01439	SHC Screw 1/4-28	1	05391	Magnet	1
01441	Ejector Collar	1	05458	Arbor Body	1
02411	Strain Relief - Motor Cord	1	05469	Arbor Assy	1
02413	Motor Cord Assy	1	05473	Set Screw #-.32 x 3/8	2
02420	Motor Cord Clamp	1	05478	230V Motor	1
02422	Motor Cord Bracket	1	05839	Knob	1
02423	Motor Cord Flex. Protector	1	10506	Set Screw 3/8-24	2
02428	Rack Gear	1	10517	Retaining Ring	2
02429	Brass Gib - Right	1	10538	Lock Washer	2
02430	Brass Gib - Left	1	10560	Lock Washer #10 Ext	11
02431	Steel Gib	1	10679	1/4 Flat washer	1
02447	Bolt-Hex Head 1/4-28	2	10971	SHC Screw 1/4-20 x 1/2	2
02461	BHC Screw 1/4-20	1	10972	BHC Screw #6-32	2
02549	3/8" Bolt Kit	1	10983	Safety Switch Shield	1
04375	Front Support Bracket	1	11053	BHC Screw #8-32	2
04500	Motor Slide Mount	1	17271	Spring	1
04529	Warning Tag	1	40038	SHC Screw #10-32	2
04530	Safety Tag	2	40077	SHC Screw 1/4-20	1
04532	Feed Handle Knob	3	40229	Feed Gear	1
04541	Housing Assy	1	40231	Bronze Bushing	2
04553	Warning Tag - Chain	1	40234	Thrust Washer	2
04558	Feed Handle	3	40237	Gib Screw	5
04885	Safety Switch Assy	1	40254	Hub Assy	1
04909	Bracket Safety Switch	1	40312	Roll Pin Altered	1
04910	Plunger Assy	1	40398	Retaining Ring	2
05049	Arbor Spring	1	40432	SHC Screw 1/4-28	1
05290	Control Panel Assy (HMD908(S))	1	41044	BHC Screw #10-32	6
05946	Control Panel Assy (HMD908(S) AUS)	1	50035	Lock Washer 1/4 Ext	4
05946	Control Panel Assy (HMD908(S)CAUS)	1	75156	SHC Screw M6 x 15mm	4
05309	Control Panel Assy (HMD908(S)CSGP)	1	90028	Lock Washer 1/4 Heli	3
			90077	BHC Screw #10-32	1

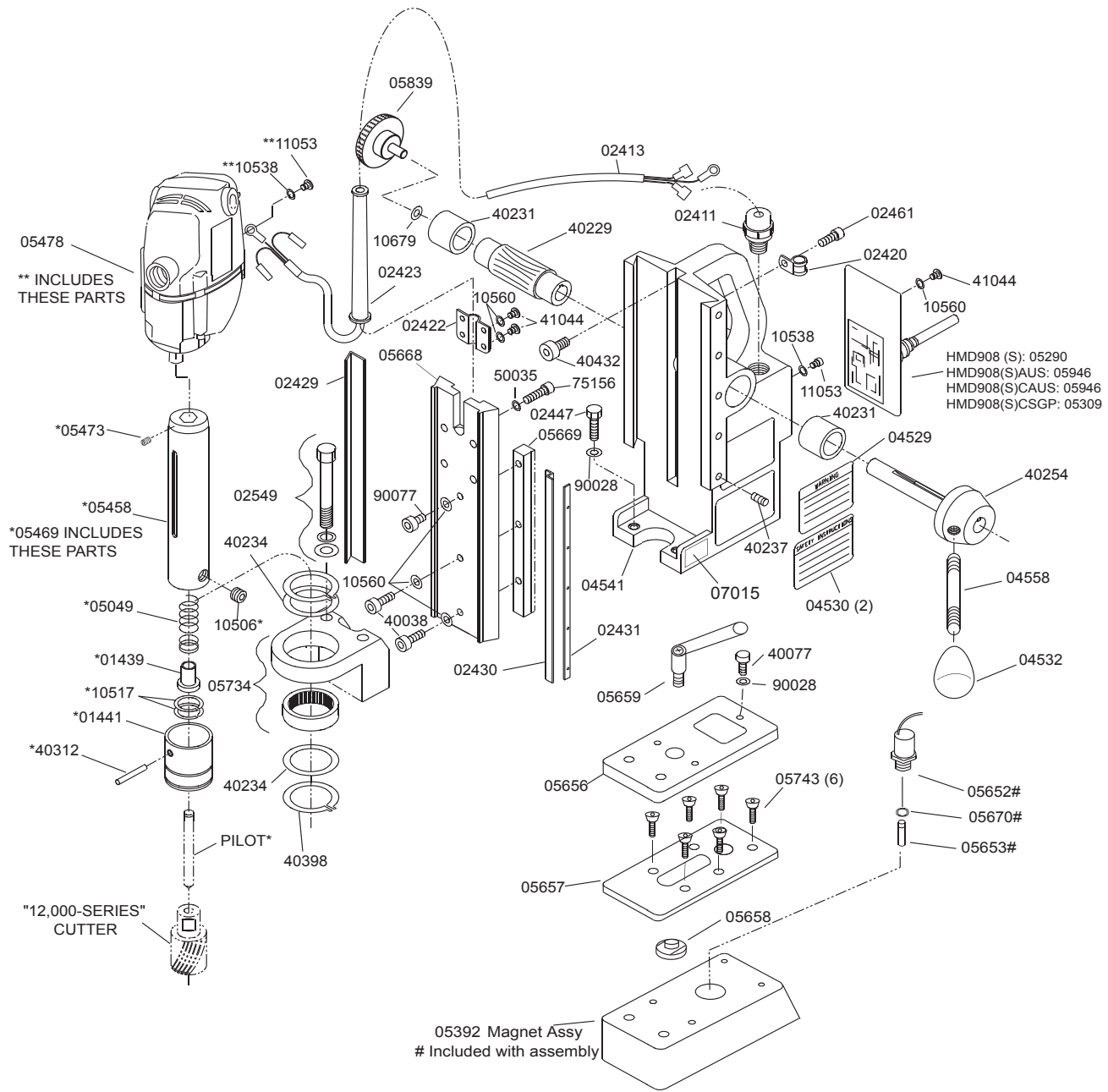
MODEL HMD908C SERIES EXPLODED DIAGRAM



HMD908C MODELS - PARTS LIST

Part #	Description	Qty	Part #	Description	Qty
02411	Strain Relief - Motor Cord	1	05358	Washer Shim	1
02413	Motor Cord Assy	1	05391	Magnet	1
02420	Motor Cord Clamp	1	05461	Arbor Body	1
02422	Motor Cord Bracket	1	05471	Arbor Assy	1
02423	Motor Cord Flex. Protector	1	05473	Set Screw #10-32 x 3/8	2
02428	Rack Gear	1	05478	230V Motor	1
02429	Brass Gib - Right	1	05839	Knob	1
02430	Brass Gib - Left	1	05988	SCR-FHSC #10-32 X 1/2	2
02431	Steel Gib	1	10506	Set Screw 3/8-24	2
02447	Bolt-Hex Head 1/4-28	2	10517	Retaining Ring	1
02461	BHC Screw 1/4-20	1	10538	Lock Washer	2
02549	3/8" Bolt Kit	1	10560	Lock Washer #10 Ext	11
02677	Handle SGP Model	1	10679	1/4 Flat washer	1
04375	Front Support Bracket	1	10971	SHC Screw 1/4-20 x 1/2	2
04391	O-Ring for Hex Spindle	1	10972	BHC Screw #6-32	2
04500	Motor Slide Mount	1	10983	Safety Switch Shield	1
04529	Warning Tag	1	11053	BHC Screw #8-32	2
04530	Safety Tag	2	17271	Spring	1
04532	Feed Handle Knob	3	40038	SHC Screw #10-32	2
04541	Housing Assy	1	40077	SHC Screw 1/4-20	1
04558	Feed Handle	3	40229	Feed Gear	1
04885	Safety Switch Assy	1	40231	Bronze Bushing	2
04909	Bracket Safety Switch	1	40234	Thrust Washer	2
04910	Plunger Assy	1	40237	Gib Screw	5
04986	Rubber Washer	1	40254	Hub Assy	1
05050	Compression Spring	1	40295	Coolant Inducer Collar	1
05054	Spring Seat	1	40300	O-Ring	2
05055	Collar	1	40301	Washer	2
05057	Bracket for Coolant Bottle	1	40302	Retaining Ring	2
05058	Bracket for Coolant Inducer	1	40303	Tube Fitting	1
05059	Holder for Coolant Bottle	1	40332	Coolant Inducer Assy	1
05060	Coolant Bottle Assy	1	40398	Retaining Ring	2
05061	Plastic Knob	1	40432	SHC Screw 1/4-28	1
05290	Control Panel (HMD908(S))	1	41044	BHC Screw #10-32	6
05946	Control Panel (HMD908(S)CAUS)	1	50035	Lock Washer 1/4 Ext	4
05946	Control Panel (HMD908(S)AUS)	1	75156	SHC Screw M6 x 15mm	4
05309	Control Panel (HMD908(S)CSGP)	1	90028	Lock Washer 1/4 Heli	3
			90077	BHC Screw #10-32	1

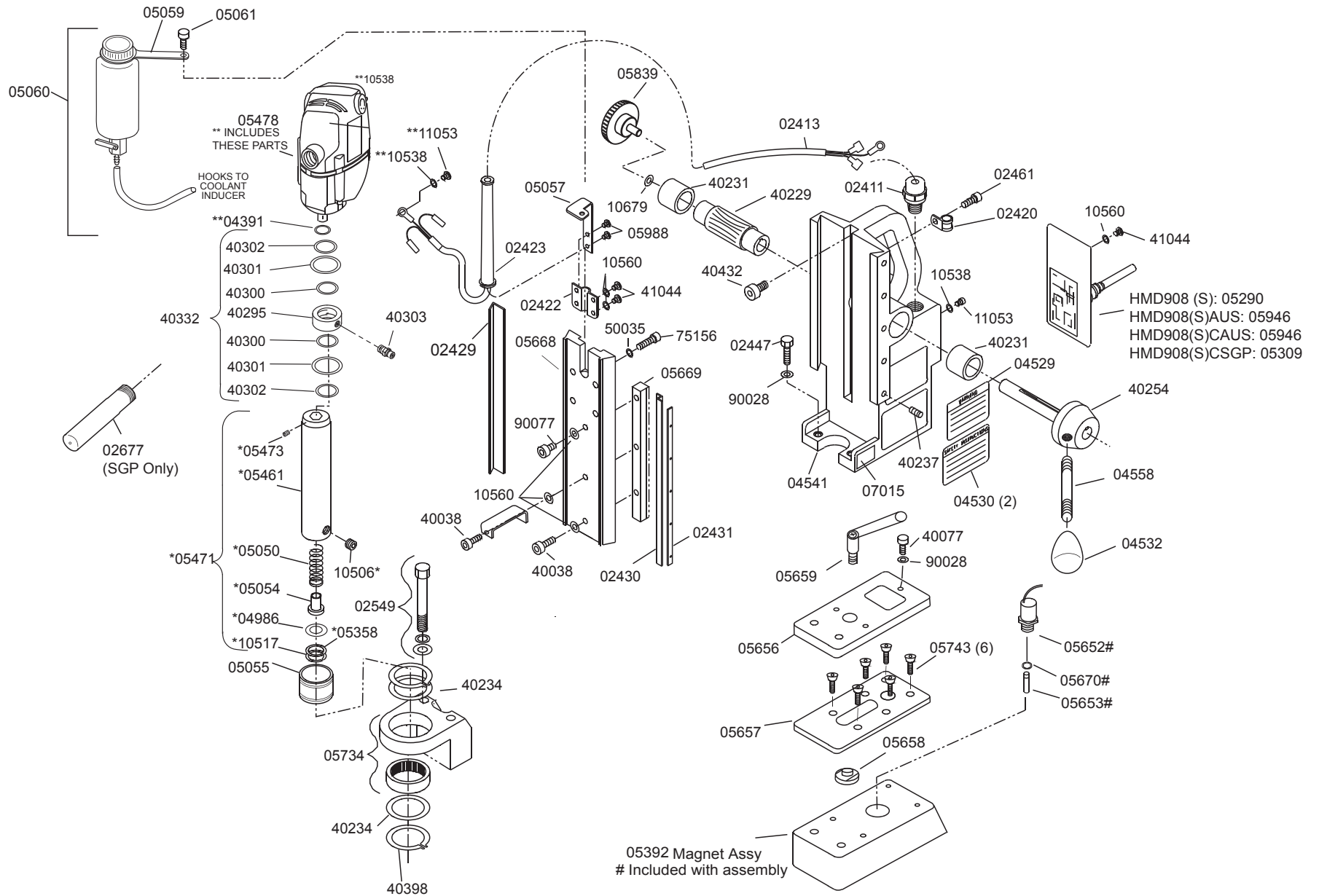
MODEL HMD908S SERIES EXPLODED DIAGRAM



HMD908S PARTS LIST

Part #	Description	Qty	Part #	Description	Qty
01439	Spring Seat	1	05668	Motor Mount Slide	1
01441	Ejector Spring	1	05669	Rack Gear	1
02411	Strain Relief-Motor Cord	1	05670	Retain. Ring	1
02413	Motor Cord	1	05734	Front Support Bracket	1
02420	Motor Cord Clamp	1	05736	Bolt Hex Head 3/8-24x2	2
02422	Motor Cord Bracket	1	05743	Screw-FHSC 1/4-20x3/4	4
02423	Motor Cord Flex Prot.	1	05839	Knob	1
02429	Brass Gib - Right	1	10506	SCR-Set 3/8-24SPL	2
02430	Brass Gib - Left	1	10517	Retain Ring	2
02431	Steel Gib	1	10538	Lock Washer	1
02447	Bolt-Hex Head 1/4-28	2	10560	Lock Washer	11
02461	Screw BHC 1/4-20 x 3/8	2	10679	1/4" Flat Washer	1
04529	Safety Label	1	10971	Screw SHC 1/4-20	2
04530	Warning Label	1	10972	Screw BHC #6-32	2
04532	Feed Handle Knob	3	10973	Nut	2
04541	Housing Assembly	1	10977	Screw BHC 1/4-20	1
04553	Warning Label - Chain	1	10983	Safety Switch Shield	1
04558	Feed Handle	3	11053	Screw BHC #8-32	1
05049	Arbor Spring	1	17271	Taper Spring	1
05290	Control Panel (HMD908(S))	1	40038	Screw SHC #10-32	2
05309	Control Panel (HMD(S)CSGP)	1	40077	Screw SHC 1/4-20	1
05946	Control Panel (HMD(S)AUS)	1	40214	Screw SHC #6-32	1
05946	Control Panel (HMD(S)CAUS)	1	40229	Feed Gear	1
05391	Magnet	1	40231	Bronze Bushing	2
05392	Magnet Assembly	1	40234	Thrust Washer	2
05458	Arbor Body	1	40237	Gib Screws	5
05469	Arbor Assembly	1	40254	Hub Assy	1
05478	Motor Assembly (230v)	1	40312	Roll Pin	1
05628	Set Screws	1	40398	Retaining Ring	1
05652	Safety Switch	1	40432	Screw SHC 1/4-28	1
05653	Plunger	1	41044	Screw BHC #10-32	6
05656	Swivel Plate	1	50035	Lock Washer 1/4 Ext	4
05657	Slide Plate	1	90028	Lock Washer 1/4 Heli	3
05658	Pivot Rod	1	90052	Lock Washer #6 Ext	1
05659	Clamp Handle Assembly	1	90077	Screw BHC #10-32 x 1/2	1

MODEL HMD908SC SERIES EXPLODED DIAGRAM



HMD908SC MODELS - PARTS LIST

Part #	Description	Qty	Part #	Description	Qty
02411	Strain Relief - Motor Cord	1	05652	Safety Switch Assembly	1
02413	Motor Cord Assy	1	05653	Plunger	1
02420	Motor Cord Clamp	1	05656	Swivel Plate	1
02422	Motor Cord Bracket	1	05657	Slide Plate	1
02423	Motor Cord Flex. Protector	1	05658	Pivot Rod	1
02429	Brass Gib - Right	1	05659	Clamp Handle	1
02430	Brass Gib - Left	1	05668	Dovetail Slide	1
02431	Steel Gib	1	05669	Rack Gear	1
02447	Bolt-Hex Head 1/4-28	2	05670	Retain Ring	1
02461	BHC Screw 1/4-20	1	05734	Front Support Bracket	1
02549	3/8" Bolt Kit	1	05743	SCR-FHSC 1/4-20 X 3/4	1
02677	Handle SGP Model	1	05839	Knob	1
04391	O-Ring for Hex Spindle	1	05988	SCR-FHSC #10-32 X 1/2	6
04529	Warning Tag	1	10506	Set Screw 3/8-24	2
04530	Safety Tag	2	10517	Retaining Ring	1
04532	Feed Handle Knob	3	10538	Lock Washer	2
04541	Housing Assy	1	10560	Lock Washer #10 Ext	11
04558	Feed Handle	3	10679	1/4 Flat washer	1
04986	Rubber Washer	1	11053	BHC Screw #8-32	2
05050	Compression Spring	1	40038	SHC Screw #10-32	2
05054	Spring Seat	1	40077	SHC Screw 1/4-20	1
05055	Collar	1	40229	Feed Gear	1
05057	Bracket for Coolant Bottle	1	40231	Bronze Bushing	2
05058	Bracket for Coolant Inducer		40234	Thrust Washer	2
05059	Holder for Coolant Bottle	1	40237	Gib Screw	5
05060	Coolant Bottle Assy	1	40254	Hub Assy	1
05061	Plastic Knob	1	40295	Coolant Inducer Collar	1
05290	Control Panel (HMD908(S))	1	40300	O-Ring	2
05946	Control Panel (HMD908(S)CAUS)	1	40301	Washer	2
05946	Control Panel (HMD908(S)AUS)	1	40302	Retaining Ring	2
05309	Control Panel (HMD908(S)CSGP)	1	40303	Tube Fitting	1
05358	Washer Shim	1	40332	Coolant Inducer Assy	1
05391	Magnet	1	40398	Retaining Ring	2
05392	Magnet Assembly	1	40432	SHC Screw 1/4-28	1
05461	Arbor Body	1	41044	BHC Screw #10-32	6
05471	Arbor Assy	1	50035	Lock Washer 1/4 Ext	4
05473	Set Screw #10-32 x 3/8	2	75156	SHC Screw M6 x 15mm	4
05478	230V Motor	1	90028	Lock Washer 1/4 Heli	3
			90077	BHC Screw #10-32	1