

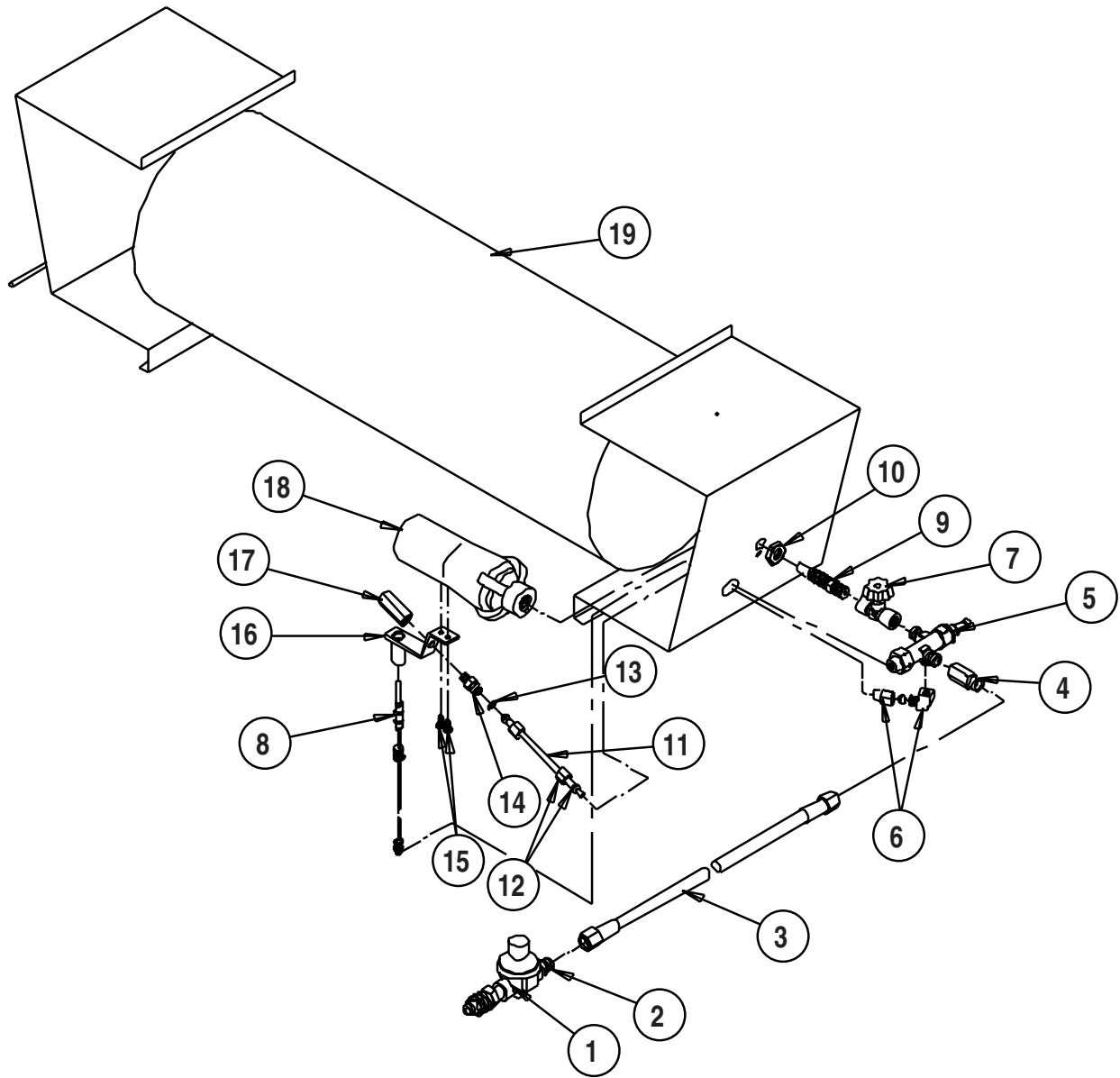


***WORKMAN &
NORSEMAN***

Convection Heaters

Convection Heaters

MODEL 322



Convection Heaters

PARTS IDENTIFICATION

Item	Description	Model 322
1	Regulator	130-21788
2	Adapter, Hose	310-01098
3	Hose, 1/4 in. x 10 ft.	400-20242
4	Adapter, Hose	310-07970
5	Valve, Pilot Safety	500-20356
6	Ell w/nut and Sleeve	130-07968
7	Valve, Manual Burner	500-20598
8	Thermocouple	120-01090
9	Orifice Burner	310-01591
10	Jam Nut	130-09379
11	Tube, Pilot w/Nuts & Sleeves	550-07073
12	Nut and Sleeve	550-01168
13	Screen	130-01722
14	Orifice, Pilot w/ Screen	400-01230
15	Screw	130-01213
16	Bracket, Pilot	400-03202
17	Head, Pilot	400-01079
18	Burner, Casting	320-01337
19	Case, Assembly w/Labels	500-22337