

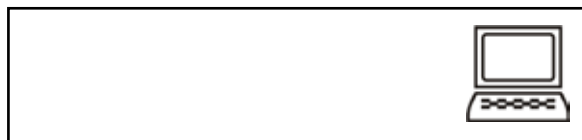
OPERATION AND PARTS MANUAL



MQ POWER **MODEL DCA25USI** **60HZ WHISPERWATT™ GENERATOR** **(ISUZU AA-4LE2 DIESEL ENGINE)**

PARTS LIST NO. M1871400104
PARTS LIST NO. M1871400114C

Revision #3 (07/19/11)



THIS MANUAL MUST ACCOMPANY THE EQUIPMENT AT ALL TIMES.

TABLE OF CONTENTS

DCA25USI 60 Hz Generator

Proposition 65 Warning	2
Reporting Safety Defects.....	3
Table Of Contents.....	4
Parts Ordering Procedures.....	5
Safety Information	6-11
Specifications	12
Dimensions.....	13
Installation	14-15
General Information.....	16
Major Components	17
Generator Control Panel.....	18
Engine Operating Panel.....	19
Output Terminal Panel Familiarization	20-22
Load Application	23
Generator Outputs.....	24
Generator Outputs/Gauge Reading.....	25
Output Terminal Panel Connections	26-27
Inspection/Setup.....	28-31
Generator Start-Up Procedure	32-33
Generator Shut-Down Procedures	34
Maintenance	35-37
Trailer Maintenance	38-41
Trailer Wiring Diagram	42
Generator Wiring Diagram.....	43
Engine Wiring Diagram.....	44-45
Troubleshooting (Generator).....	46
Explanation Of Code In Remarks Column.....	48
Suggested Spare Parts	50

COMPONENT DRAWINGS

Generator Assembly	50-51
Control Box Assembly	52-55
Engine and Radiator Assembly	56-59
Output Terminal Assembly.....	60-61
Battery Assembly.....	62-63
Muffler Assembly	64-65
Fuel Tank Assembly	65-67
Enclosure Assembly	68-73
Rubber Seals Assembly	74-75
Nameplate and Decals Assembly	76-77
Terms And Conditions Of Sale — Parts	78

EXPLANATION OF CODE IN REMARKS COLUMN

The following section explains the different symbols and remarks used in the Parts section of this manual. Use the help numbers found on the back page of the manual if there are any questions.

NOTICE

The contents and part numbers listed in the parts section are subject to change **without notice**. Multiquip does not guarantee the availability of the parts listed.

SAMPLE PARTS LIST

NO.	PART NO.	PART NAME	QTY.	REMARKS
1	12345	BOLT.....	1	INCLUDES ITEMS W/%
2%		WASHER, 1/4 IN.....		NOT SOLD SEPARATELY
2%	12347	WASHER, 3/8 IN....	1	MQ-45T ONLY
3	12348	HOSE	A/R	MAKE LOCALLY
4	12349	BEARING	1	S/N 2345B AND ABOVE

NO. Column

Unique Symbols — All items with same unique symbol

(@, #, +, %, or >) in the number column belong to the same assembly or kit, which is indicated by a note in the “Remarks” column.

Duplicate Item Numbers — Duplicate numbers indicate multiple part numbers, which are in effect for the same general item, such as different size saw blade guards in use or a part that has been updated on newer versions of the same machine.

NOTICE

When ordering a part that has more than one item number listed, check the remarks column for help in determining the proper part to order.

PART NO. Column

Numbers Used — Part numbers can be indicated by a number, a blank entry, or TBD.

TBD (To Be Determined) is generally used to show a part that has not been assigned a formal part number at the time of publication.

A blank entry generally indicates that the item is not sold separately or is not sold by Multiquip. Other entries will be clarified in the “Remarks” Column.

QTY. Column

Numbers Used — Item quantity can be indicated by a number, a blank entry, or A/R.

A/R (As Required) is generally used for hoses or other parts that are sold in bulk and cut to length.

A blank entry generally indicates that the item is not sold separately. Other entries will be clarified in the “Remarks” Column.

REMARKS Column

Some of the most common notes found in the “Remarks” Column are listed below. Other additional notes needed to describe the item can also be shown.

Assembly/Kit — All items on the parts list with the same unique symbol will be included when this item is purchased.

Indicated by:

“INCLUDES ITEMS W/(unique symbol)”

Serial Number Break — Used to list an effective serial number range where a particular part is used.

Indicated by:

“S/N XXXXX AND BELOW”

“S/N XXXX AND ABOVE”

“S/N XXXX TO S/N XXX”

Specific Model Number Use — Indicates that the part is used only with the specific model number or model number variant listed. It can also be used to show a part is NOT used on a specific model or model number variant.

Indicated by:

“XXXXX ONLY”

“NOT USED ON XXXX”

“Make/Obtain Locally” — Indicates that the part can be purchased at any hardware shop or made out of available items. Examples include battery cables, shims, and certain washers and nuts.

“Not Sold Separately” — Indicates that an item cannot be purchased as a separate item and is either part of an assembly/kit that can be purchased, or is not available for sale through Multiquip.

SUGGESTED SPARE PARTS

DCA25USI WHISPERWATT GENERATOR WITH ISUZU AA-4LE2 DIESEL ENGINE

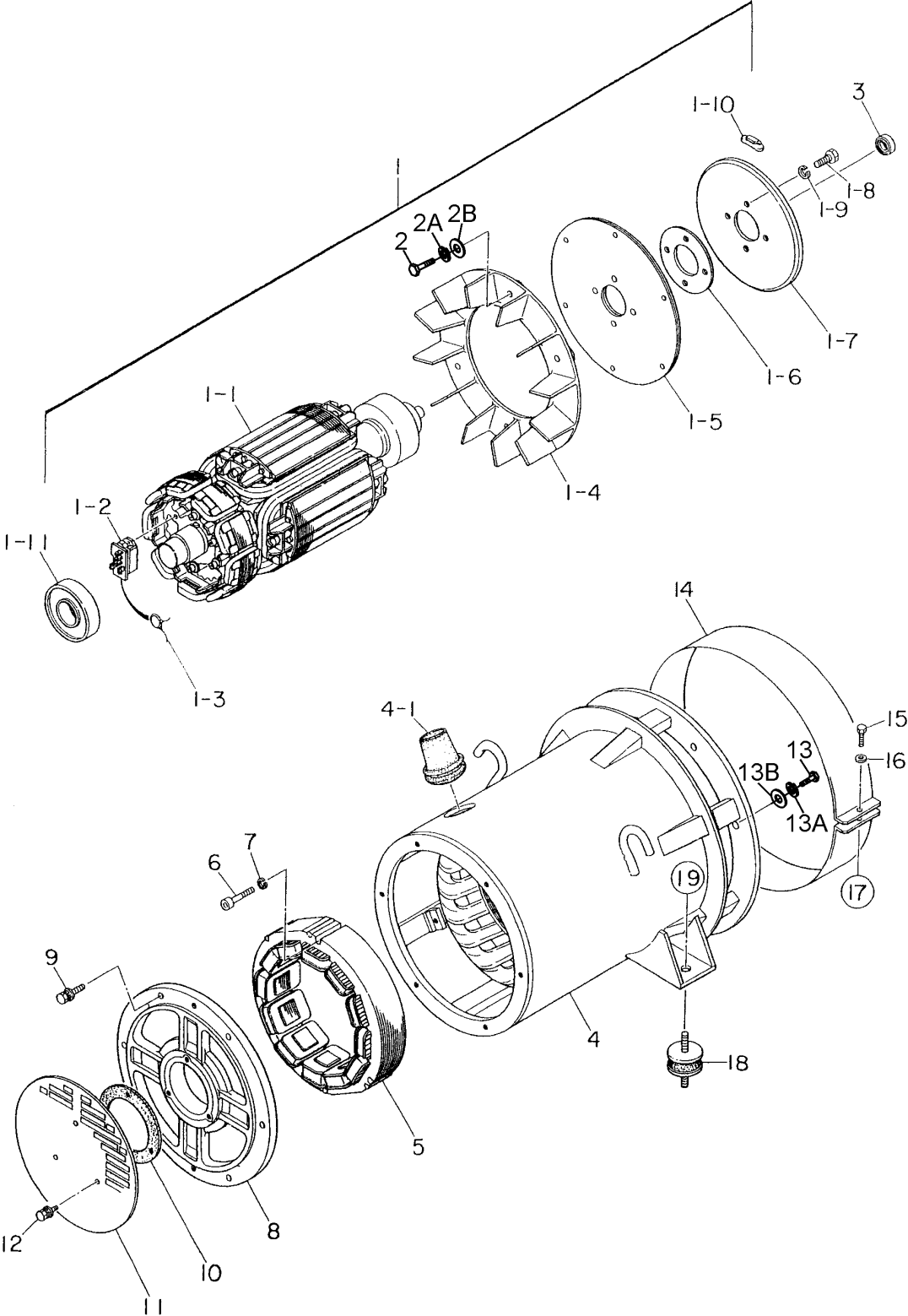
1 to 3 units

QTY.	P/N	DESCRIPTION
5.....	8944567411.....	FILTER, OIL, CARTRIDGE
5.....	8943672922.....	FILTER, FUEL,
5.....	8943692993.....	FILTER, FUEL, CARTRIDGE
5.....	8944370220.....	FILTER, FUEL, FUEL PUMP
3.....	0602046611.....	ELEMENT, AIR FILTER
1.....	8972309390.....	BELT, FAN
1.....	M1312500203.....	RADIATOR HOSE, UPPER
1.....	M1312500303.....	RADIATOR HOSE, LOWER
1.....	0601808803.....	CIRCUIT BREAKER, 1P, 20 AMP
1.....	0601808804.....	CIRCUIT BREAKER, 2P, 50 AMP
3.....	0601802160.....	FUSE, 5 AMP
1.....	0601820671.....	AUTOMATIC VOLTAGE REGULATOR
1.....	602122272.....	UNIT, OIL PRESSURE
1.....	0602123266.....	UNIT, WATER TEMPERATURE, S/N 810000 ~ 8100835
1.....	0602123275.....	UNIT, WATER TEMPERATURE S/N 8100836 AND ABOVE
1.....	8970785920.....	SENDER, WATER TEMP SWITCH (ENGINE SIDE)
1.....	1824100990.....	SENDER, OIL PRESSURE SWITCH (ENGINE SIDE)

NOTICE

Part number on this Suggested Spare Parts list may supersede/replace the P/N shown in the text pages of this book.

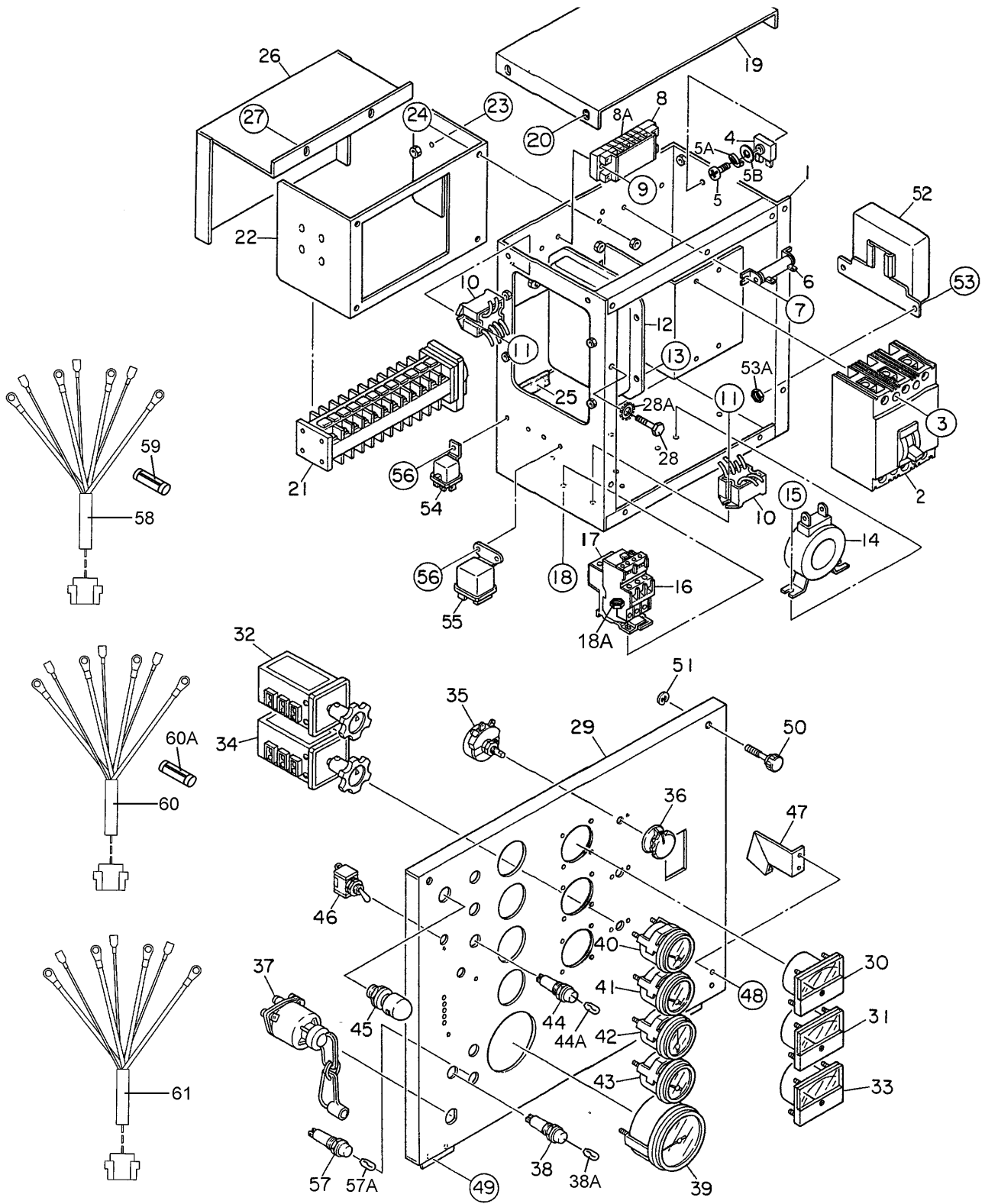
GENERATOR ASSY.



GENERATOR ASSY.

<u>NO.</u>	<u>PART NO.</u>	<u>PART NAME</u>	<u>QTY.</u>	<u>REMARKS</u>
1	B1110200602	ROTOR ASSY	1	
1-1		FIELD ASSY	1	
1-2	7961025004	RECTIFIER	1	
1-3	0601822630	SURGE ABSORBER	1	
1-4	8001070003	FAN	1	
1-5	8351611004	COUPLING DISK	2	
1-6	8351612004	WASHER, COUPLING HUB	1	
1-7	B1112300003	BALANCING PLATE	1	PURCHASE ITEM 1- 10 AS A SET
1-8	0010310025	HEX HEAD BOLT	4	
1-9	0042510000	WASHER, LOCK	4	
1-10	0601000209	BALANCING WEIGHT KIT	1	
1-11	0071906308	BEARING	1	
2	0010308035	HEX HEAD BOLT	6	
2A	0040008000	WASHER, LOCK	6	
2B	0041208000	WASHER, FLAT	6	
3	0070506803	BEARING	1	
4	B1130201103	STATOR ASSY	1	
4-1	0845041904	GROMMET	1	
5	B1138000003	FIELD ASSY, EXCITER	1	
6	0016008045	HEX SOCKET HD CAP SCREW	1	
7	0042508000	WASHER, LOCK	3	
8	8351315003	END BRACKET	1	
9	0017108035	HEX HEAD BOLT	6	
10	8351312004	PACKING	1	
11	8351331004	COVER, SUCTION	1	
12	0017106016	HEX HEAD BOLT	3	
13	0010310030	HEX HEAD BOLT	6	
13A	0040010000	WASHER, LOCK	6	
13B	0041210000	WASHER, FLAT	6	
14	B0155400204	COVER, FAN	1	
15	0010106030	HEX HEAD BOLT	1	
16	0041206000	WASHER, FLAT	1	
17	0600815000	NUT	1	
18	M9312600004	RUBBER SUSPENSION	2	
19	0207010000	HEX NUT	2	

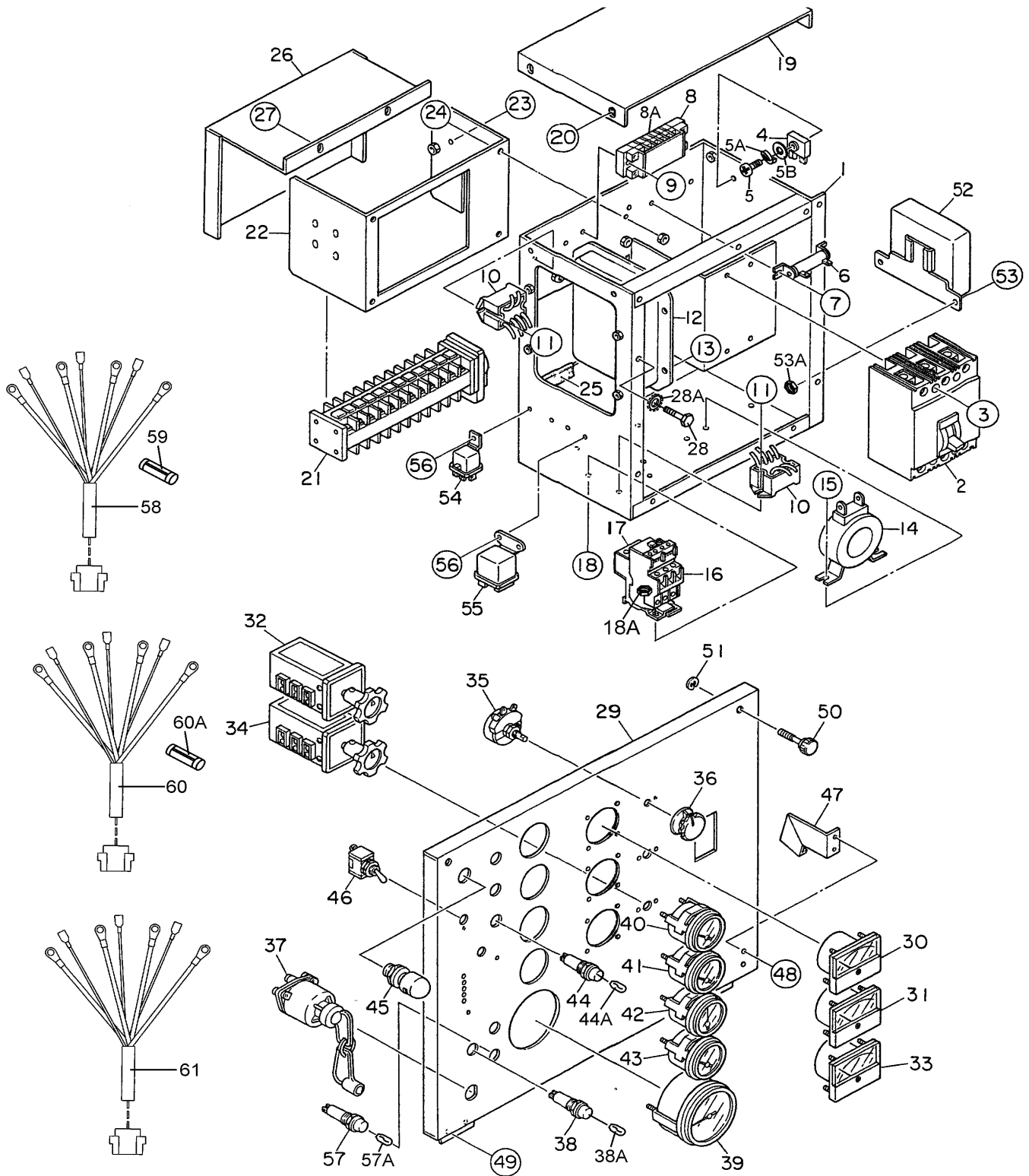
CONTROL BOX ASSY.



CONTROL BOX ASSY.

<u>NO.</u>	<u>PART NO.</u>	<u>PART NAME</u>	<u>QTY.</u>	<u>REMARKS</u>
1	M1215000612	CONTROL BOX	1	
2	0601808820	CIRCUIT BREAKER, 3P 60AMP	1	
3	0021005080	MACHINE SCREW	4	
4	0601823240	RECTIFIER	2	
5	0021004040	MACHINE SCREW	1	
5	0027104030	MACHINE SCREW	1	
5A	0040004000	WASHER, LOCK	1	
5B	0041204000	WASHER, FLAT	1	
6	0601842384	RESISTOR	1	
7	0027104010	MACHINE SCREW	2	
8	0601815759	TERMINAL BOARD	1	
8A	M9521000004	DECAL; TERMINAL SYMBOL	1	
9	0027104020	MACHINE SCREW	4	
10	0601823863	RELAY UNIT	2	
11	0027104016	MACHINE SCREW	4	
12	0601820671	AUTOMATIC VOLTAGE REGULATOR	1	
13	0027105016	MACHINE SCREW	4	
14	0601806115	CURRENT TRANSFORMER	3	
15	0027106016	MACHINE SCREW	6	
16	0601820845	OVER CURRENT RELAY	1	S/N 8100001 ~ 8101586
16	0601820847	OVER CURRENT RELAY	1	S/N 8100587 ~ AND ABOVE
17	0601820846	OVER CURRENT RELAY	1	S/N 8100001 ~ 8101586
17	0601820848	OVER CURRENT RELAY	1	S/N 8100587 ~ AND ABOVE
18	0027104016	MACHINE SCREW	2	
18A	0207004000	HEX, NUT	2	
19	M1213500203	CONTROL BOX COVER	1	
20	0016906016	HEX, HEAD BOLT	4	
21	M1201000004	SELECTOR SWITCH	1	
22	M1215601204	SWITCH BRACKET	1	
23	0027103010	MACHINE SCREW	4	
24	0016906016	HEX, HEAD BOLT	4	
25	0330000160	EDGING	1	
26	M1215601104	SWITCH COVER	1	
27	0016906016	HEX, HEAD BOLT	3	
28	0016906016	HEX, HEAD BOLT	9	
28A	0040506000	TOOTHED WASHER	1	
29	M1225000323	CONTROL PANEL	1	S/N 8100001 ~ 8101586
29	M1225000333	CONTROL PANEL	1	S/N 8100587 ~ AND ABOVE
30	0601807641	FREQUENCY METER, 240V	1	

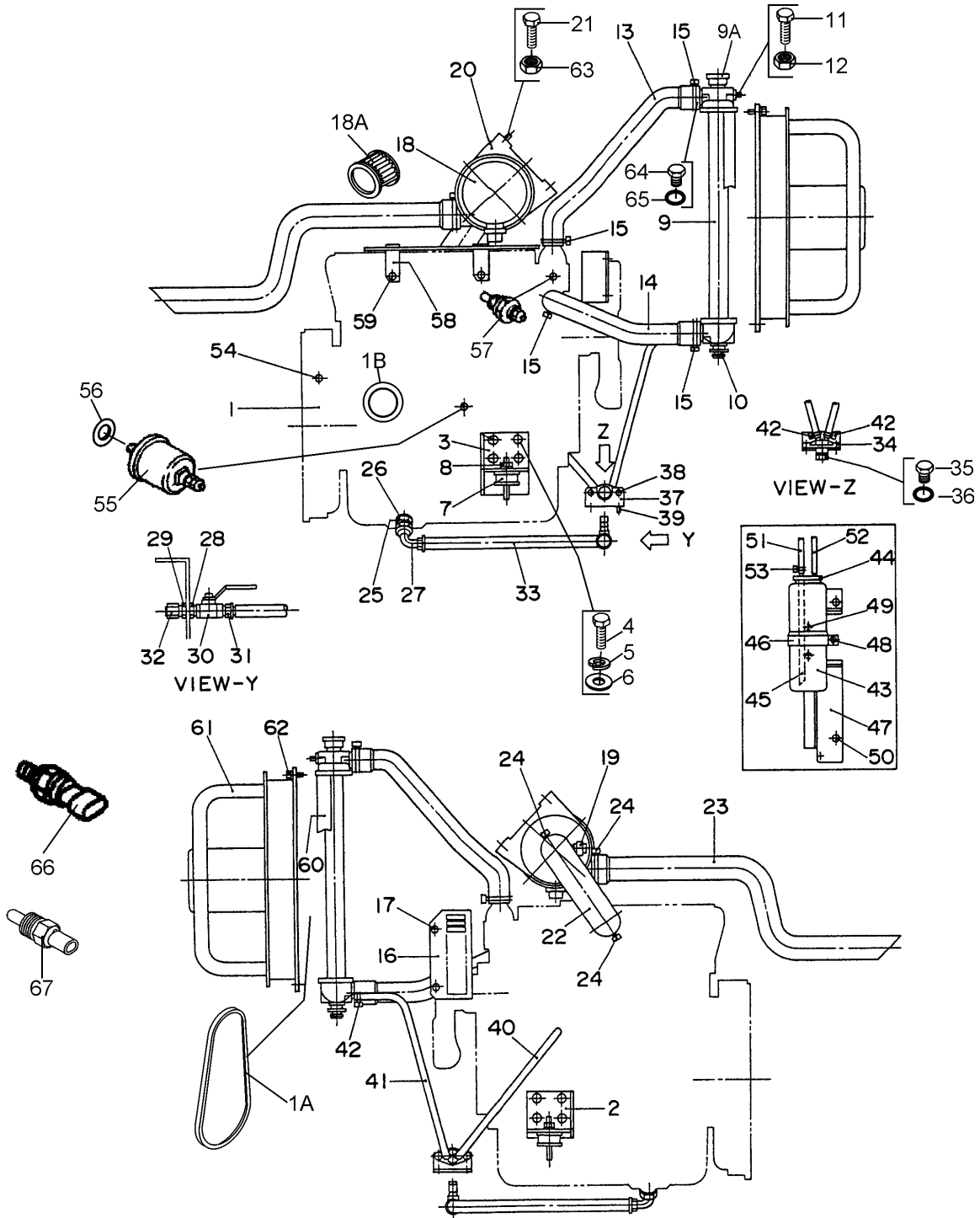
CONTROL BOX ASSY.



CONTROL BOX ASSY.

<u>NO.</u>	<u>PART NO.</u>	<u>PART NAME</u>	<u>QTY.</u>	<u>REMARKS</u>
31	0601808985	AC AMMETER, 0~50A/100A:5A	1	
32	0601801040	CHANGE-OVER SWITCH, AMMETER	1	
33	0601806859	AC VOLTMETER, 0~600V		
34	0601801041	CHANGE-OVER SWITCH, AMMETER	1	
35	0601801041	RHEOSTAT (VR) 2W 1K OHM	1	
36	0601840121	KNOB	1	
37	8970444180	STARTER SWITCH.....	1	REPLACES P/N 0602100009
38	0602103092	PREHEAT LAMP	1	
38A	0601810245	BULB	1	
39	0602120095	TACHOMETER	1	
40	0602122093	OIL PRESSURE GAUGE	1	
41	0602123090	WATER TEMPERATURE GAUGE	1	
42	0602121080	CHARGING AMMETER	1	
43	0602125090	FUEL GAUGE	1	
44	0602103092	ALARM LAMP	3	
44A	0601810245	BULB	3	
45	9826800370	PANEL LIGHT	1	REPLACES P/N 0601810141
46	0601831330	SWITCH, PANEL LIGHT	1	
47	M1225100004	STOPPER	1	
48	0027105010	MACHINE SCREW	2	
49	0027105010	MACHINE SCREW	4	
50	M9220100004	SET SCREW	2	
51	0080200007	SNAP RING	2	
52	8973259120	ENGINE CONTROLLER.....	1	REPLACES P/N 0602202523
53	0016906016	HEX, HEAD BOLT	2	
53A	0207006000	HEX, NUT	2	
54	5825500290	RELAY	2	REPLACES P/N 0602201400
55	8942481610	GLOW RELAY	1	REPLACES P/N 0602202502
56	0027105016	MACHINE SCREW	4	
57	0602103092	ALARM LAMP	1	S/N 8100231 AND ABOVE
57A	0601810245	BULB.....	1	S/N 8100231 AND ABOVE
58	M1248700004	WIRE HARNESS, GENERATOR	1	
59	0601802160	FUSE, 5A	2	
60	M1359200602	WIRE HARNESS, ENGINE.....	1	S/N 8100001 ~ 8101465
60	M1359200612	WIRE HARNESS, ENGINE.....	1	S/N 8101466 AND ABOVE
60A	0601802160	FUSE, 5A	1	
61	M3357200304	WIRE HARNESS, FUEL LEAK	1	S/N 8100231 AND ABOVE

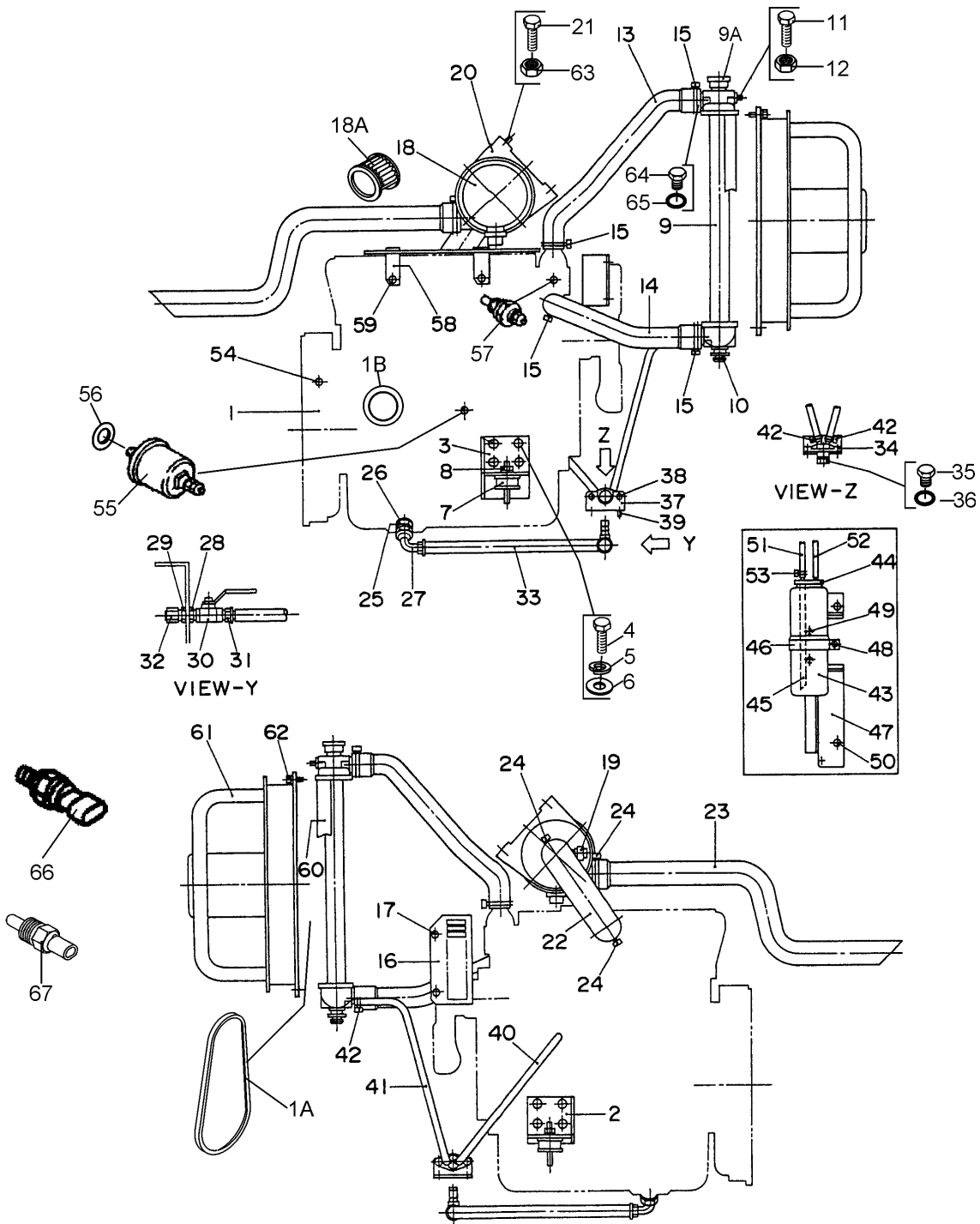
ENGINE AND RADIATOR ASSY.



ENGINE AND RADIATOR ASSY.

<u>NO.</u>	<u>PART NO.</u>	<u>PART NAME</u>	<u>QTY.</u>	<u>REMARKS</u>
1	B1925200254	ENGINE, ISUZU AA-4LE2	1	
1A	897230-9390	FAN BELT	1	REPLACES P/N 0602011431
1B	8944567411	CARTRIDGE, OIL FILTER	1	REPLACES P/N 0602041210
2	M1305200304	ENGINE FOOT	1	
3	M1305200204	ENGINE FOOT	1	
4	0010310025	HEX, HEAD BOLT	8	
5	0040010000	WASHER, LOCK	8	
6	0041210000	WASHER, FLAT	8	
7	060500066	RUBBER SUSPENSION	2	
8	0207010000	HEX, NUT	2	
9	M1923200077	RADIATOR	1	S/N 8100001 ~ 8101082
9	M1923200074	RADIATOR	1	S/N 8101083 AND ABOVE
9A	0602011079	CAP, RADIATOR	1	
10	M9312200104	MOUNT RUBBER	2	
11	0016908040	HEX, HEAD BOLT	2	
12	0207008000	HEX, NUT	2	
13	M1312500203	RADIATOR HOSE	1	
14	M1312500303	RADIATOR HOSE	1	
15	0605515149	HOSE BAND	4	
16	M1312300103	FAN COVER	1	
17	0016906020	HEX, HEAD BOLT	4	
18	0602046531	AIR CLEANER	1	
18A	0602046611	ELEMENT, AIR CLEANER	1	
19	0602040650	INDICATOR, AIR CLEANER	1	
20	0602040552	BRACKET, AIR CLEANER	1	
21	0016908030	HEX, HEAD BOLT	2	
22	M1375100303	HOSE, AIR CLEANER	1	
23	M1375100203	HOSE, AIR CLEANER	1	
24	0605515147	HOSE BAND	3	
25	0602022560	ADAPTER	1	
26	M1320300304	PACKING	1	
27	0602022561	90 DEG. ELBOW	1	
28	0603306590	CONNECTOR	1	
29	0603300285	ROCKNUT	1	
30	0605511395	VALVE	1	
31	0603306395	HOSE JOINT	1	
32	0602021070	CAP	1	
33	0269200380	DRAIN HOSE	1	
33	0269200520	DRAIN HOSE	1	

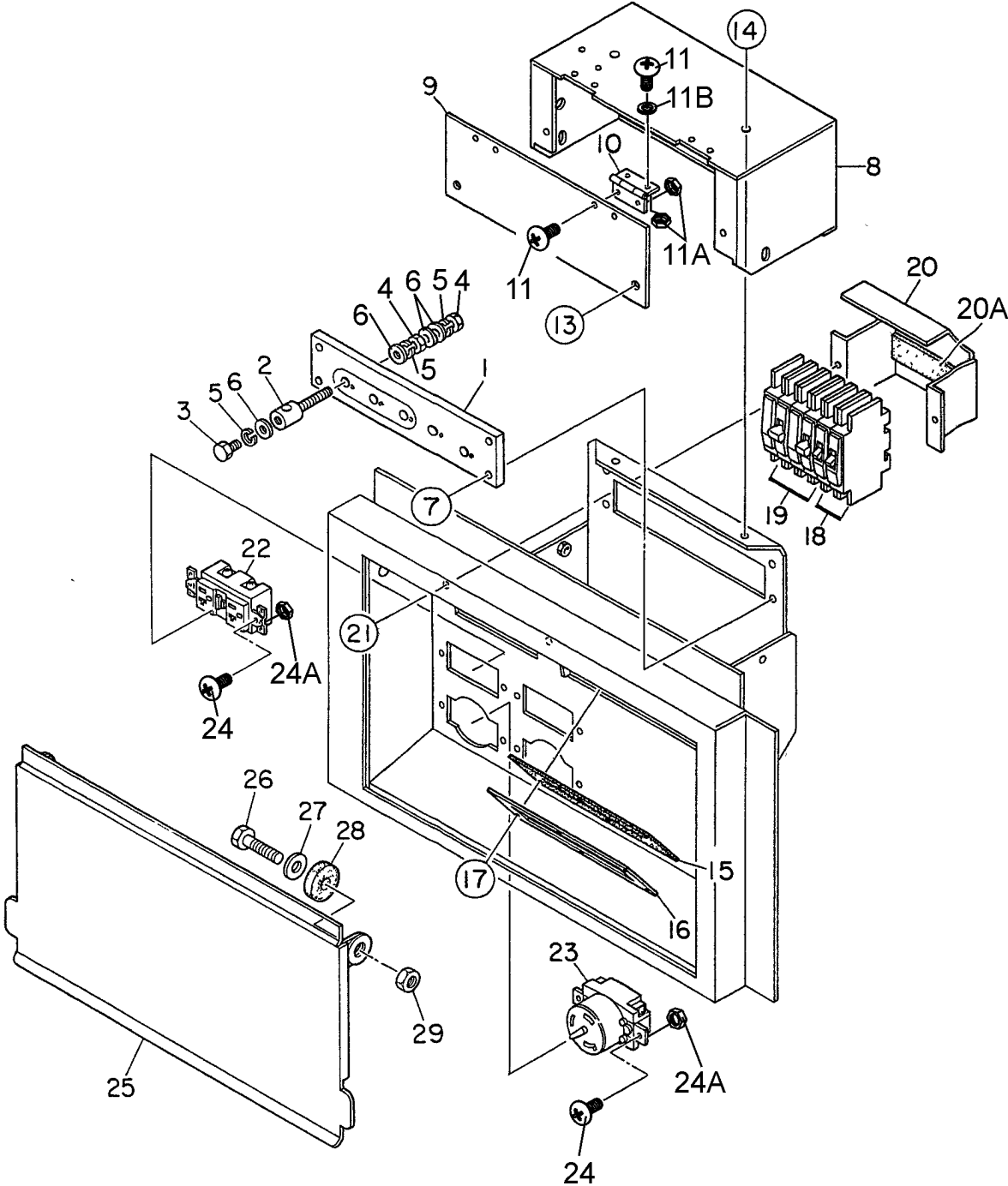
ENGINE AND RADIATOR ASSY. (CONTINUED)



ENGINE AND RADIATOR ASSY. (CONTINUED)

<u>NO.</u>	<u>PART NO.</u>	<u>PART NAME</u>	<u>QTY.</u>	<u>REMARKS</u>
34	M9602000003	DRAIN JOINT	1	
36	0150000018	O-RING	1	
37	M1312600204	BRACKET	1	S/N 8100001 ~ 8101585
38	0016906020	HEX, HEAD BOLT	2	
39	0016906020	HEX, HEAD BOLT	2	S/N 8100001 ~ 8101585
40	0199901600	DRAIN HOSE	1	
41	0199900800	DRAIN HOSE	1	
42	0605515106	HOSE BAND	4	
43	M9300000003	RESERVE TANK	1	
44	M9300100003	CAP, RESERVE TANK	1	
45	0199100215	HOSE	1	
46	M1318100204	BRACKET, RESERVE TANK.....	1	S/N 8100001 ~ 8101586
47	M1318100103	BRACKET, RESERVE TANK	1	
48	0016906025	HEX, HEAD BOLT	1	
49	0016906020	HEX, HEAD BOLT	2	S/N 8100001 ~ 8101586
50	0016908020	HEX, HEAD BOLT	2	
51	0199100700	HOSE	1	
52	0193600850	HOSE	1	
53	0605515106	HOSE BAND	3	
54	0602120481	TACHOMETER, PICK UP	1	
55	0602122272	UNIT, OIL PRESSURE	1	
56	M9200100004	ADAPTER	1	
57	0602123266	UNIT, WATER TEMPERATURE.....	1	S/N 8100001 ~ 8101835
57	0602123275	UNIT, WATER TEMPERATURE.....	1	S/N 8101836~ AND ABOVE
58	M1353800004	CLAMPER ROD	1	
59	0016908020	HEX, HEAD BOLT	2	
60	0220300425	SEAL RUBBER	2	
61	0601822794	MOTOR FAN	1	
62	0016908025	HEX, HEAD BOLT	4	
63	0207008000	HEX. NUT	2	
64	M9200100904	PLUG.....	1	S/N 8101083 ~ AND ABOVE
65	0150000016	O RING.....	1	S/N 8101083 ~ AND ABOVE
66	1824100990	SENDER, OIL PRESSURE SWITCH	1	
67	8970785920	SENDER, WATER TEMPERATURE SW.	1	

OUTPUT TERMINAL ASSY.



ADD THE FOLLOWING DIGITS AFTER THE PART NUMBER WHEN ORDERING ANY PAINTED PANEL TO INDICATE COLOR OF UNIT:

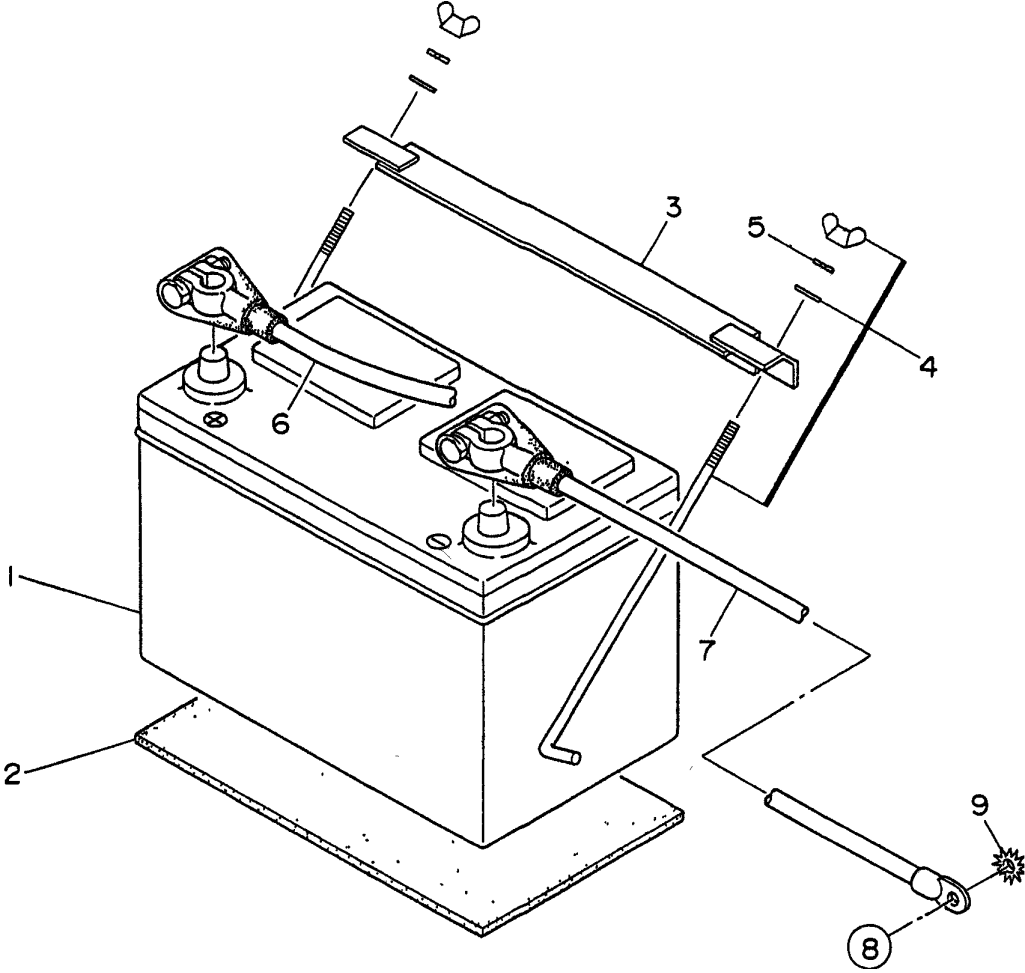
1-ORANGE	5-BLACK
2-WHITE	6-CATERPILLAR YELLOW
3-SPECTRUM GREY	7-CATO GOLD
4-SUNBELT GREEN	8-RED

THE SERIAL NUMBER MAY BE REQUIRED.

OUTPUT TERMINAL ASSY.

<u>NO.</u>	<u>PART NO.</u>	<u>PART NAME</u>	<u>QTY.</u>	<u>REMARKS</u>
1	M1230700003	TERMINAL PANEL	1	
2	M9220000004	OUTPUT TERMINAL BOLT	5	
3	M9220000104	TIE SCREW	5	
4	0039308000	HEX, NUT	10	
5	0040008000	WASHER, LOCK	15	
6	0041408000	WASHER, FLAT	20	
7	0016906025	HEX, HEAD BOLT	4	
8	M1238100603	TERMINAL COVER	1	
9	M1238100704	OUTPUT WINDOW	1	
10	0605010040	HINGE	2	
11	0027103010	MACHINE SCREW	8	
11A	0030003000	HEX, NUT	8	
11B	0041203000	WASHER, FLAT	4	
12	0027103010	MACHINE SCREW	4	
12A	0030003000	HEX. NUT	4	
13	0016906020	HEX, HEAD BOLT	2	
14	0016906016	HEX, HEAD BOLT	4	
15	M1236400004	CABLE OUTLET COVER	1	
16	M1236300004	SUPPORTER, CABLE OUTLET COVER	1	
17	0016906020	HEX, HEAD BOLT	6	
18	0601808803	CIRCUIT BREAKER,20A	2	
19	0601808804	CIRCUIT BREAKER,50A	2	
20	M1260700204	BREAKER FITTING COVER	1	
20A	0222100115	CUSHION RUBBER	1	
21	0016906020	HEX, HEAD BOLT	2	
22	0601812598	RECEPTACLE,GF125V 20AX2	2	
23	0601812538	RECEPTACLE,CS6369 250V 50A	2	
24	0027104018	MACHINE SCREW	8	
24	0027104016	MACHINE SCREW	8	
24A	0207004000	HEX, NUT	8	
25	M1238100503	TERMINAL COVER	1	
26	0010112045	HEX, HEAD BOLT	2	
27	0041212000	WASHER, FLAT	2	
28	M9310200004	STAY RUBBER	2	
29	0030012000	HEX, NUT	2	

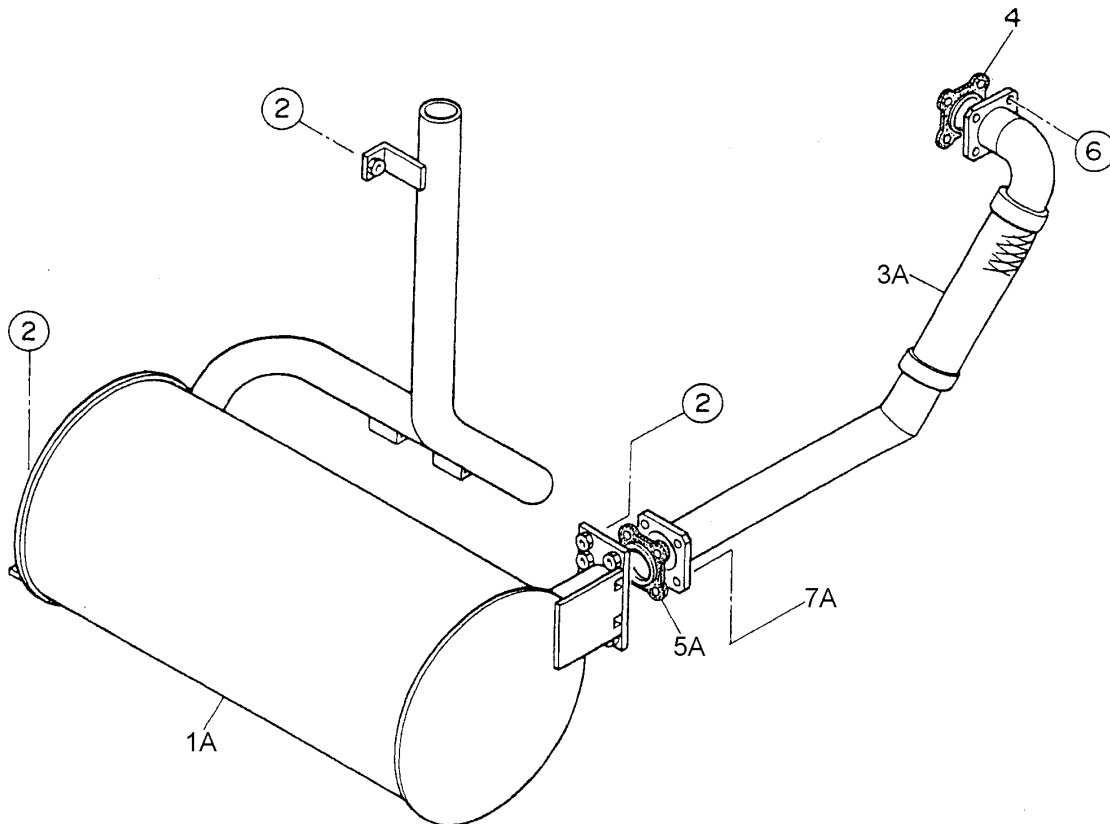
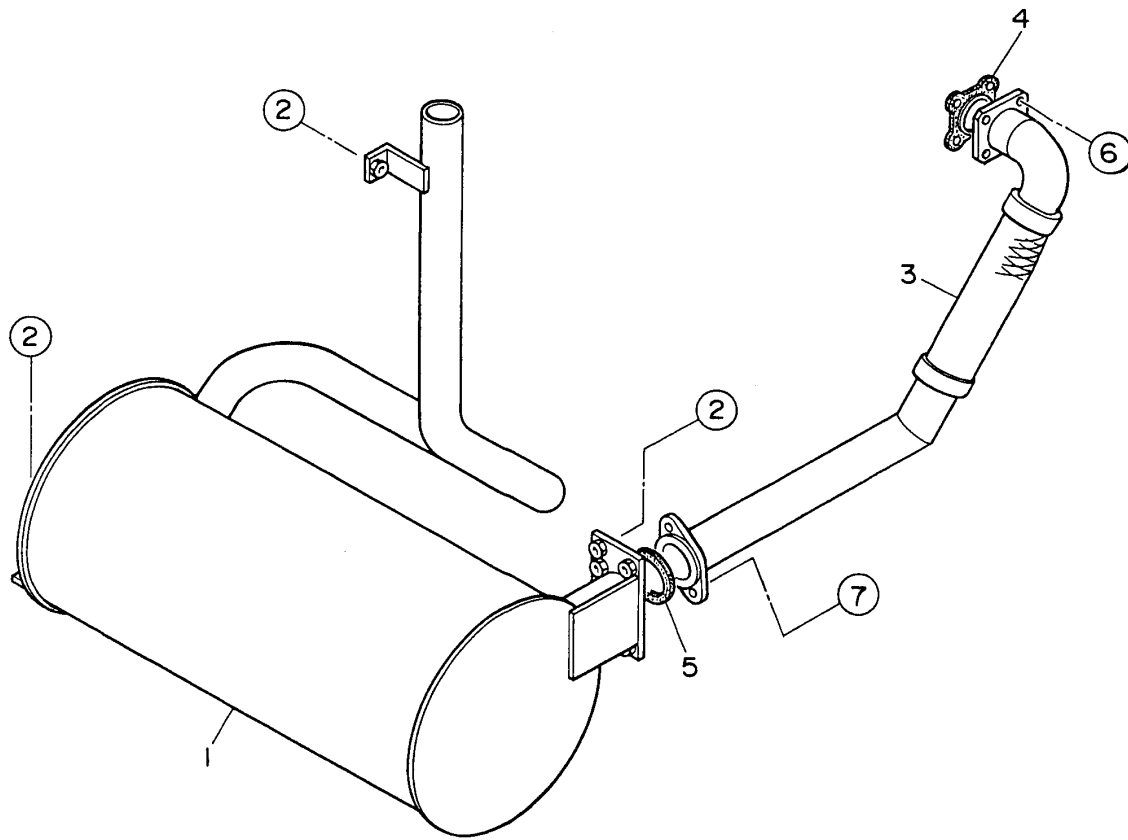
BATTERY ASSY.



BATTERY ASSY.

<u>NO.</u>	<u>PART NO.</u>	<u>PART NAME</u>	<u>QTY.</u>	<u>REMARKS</u>
1	0602220185	BATTERY	1	
2	M9310500014	BATTERY SHEET	1	
3	M9103000304	BATTERY BAND	1	
4	0602220920	BATTERY BOLT SET	2	
5	0040006000	WASHER, LOCK	2	
6	M1348400204	BATTERY CABLE	1	
7	M1348400314	BATTERY CABLE	1	
8	0016910020	HEX, HEAD BOLT	1	
9	0040510000	TOOTHED WASHER	1	

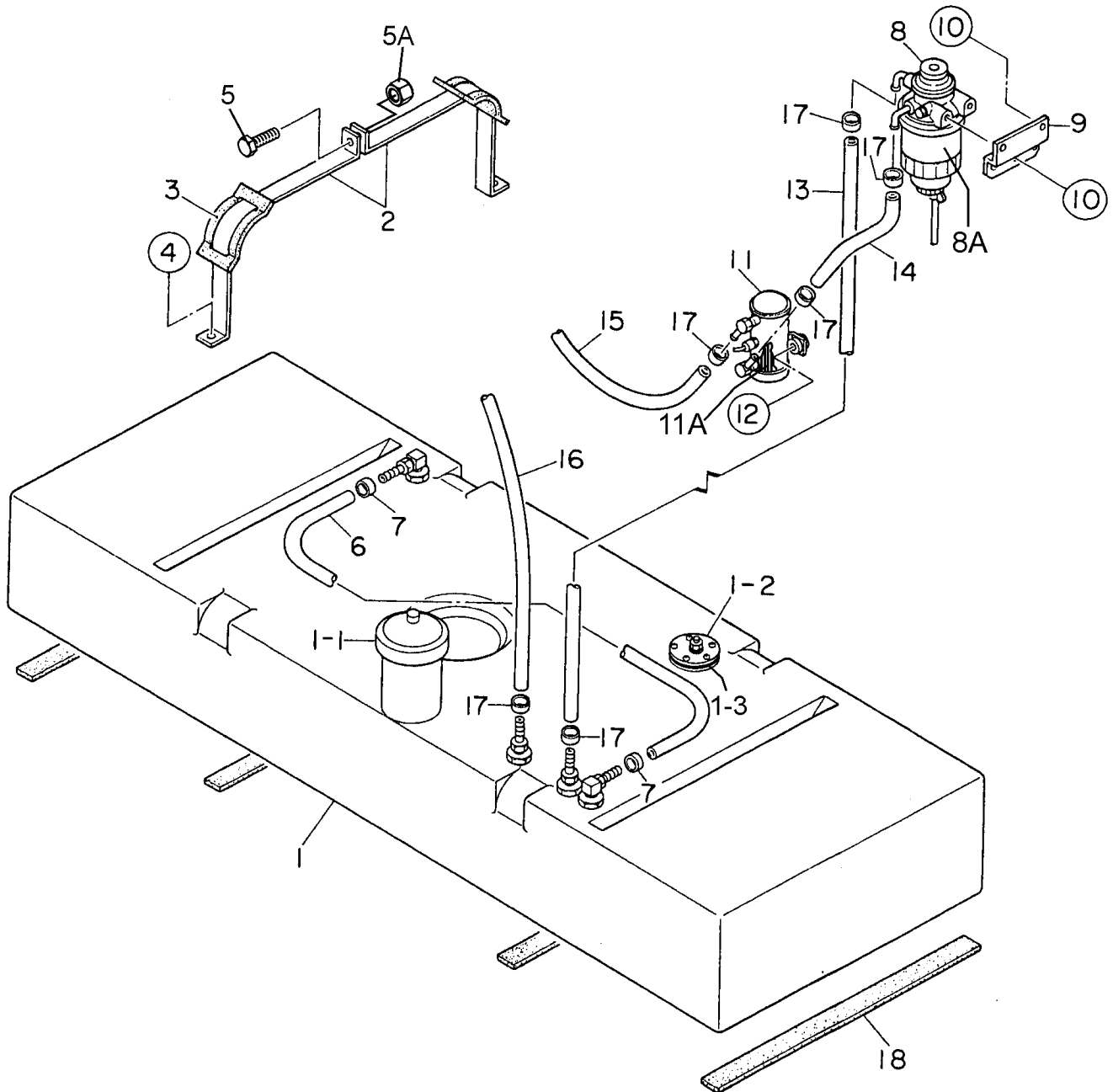
MUFFLER ASSY.



MUFFLER ASSY.

<u>NO.</u>	<u>PART NO.</u>	<u>PART NAME</u>	<u>QTY.</u>	<u>REMARKS</u>
1	M1332000002	MUFFLER	1	S/N 81000001 ~ 8101465
1A	M133200012	MUFFLER	1	S/N 8100466 ~ AND ABOVE
2	0016908020	HEX, HEAD BOLT	7	
3	M1335000103	EXHAUST PIPE	1	S/N 8100001 ~ 8101465
3A	M1335000113	EXHAUST PIPE	1	S/N 8100466~ AND ABOVE
4	8970420280	GASKET	1	REPLACES P/N 0602320100
5	M0335200004	GASKET	1	S/N 8100001 ~ 8101465
5A	8970420280	GASKET	1	REPLACES P/N 0602320100 S/N 8100466 ~ AND ABOVE
6	0207008000	HEX, NUT	4	
7	0016908030	HEX, HEAD BOLT	2	S/N 8100001 ~ 8101465
7A	0016908030	HEX, HEAD BOLT	4	8100466 ~ AND ABOVE

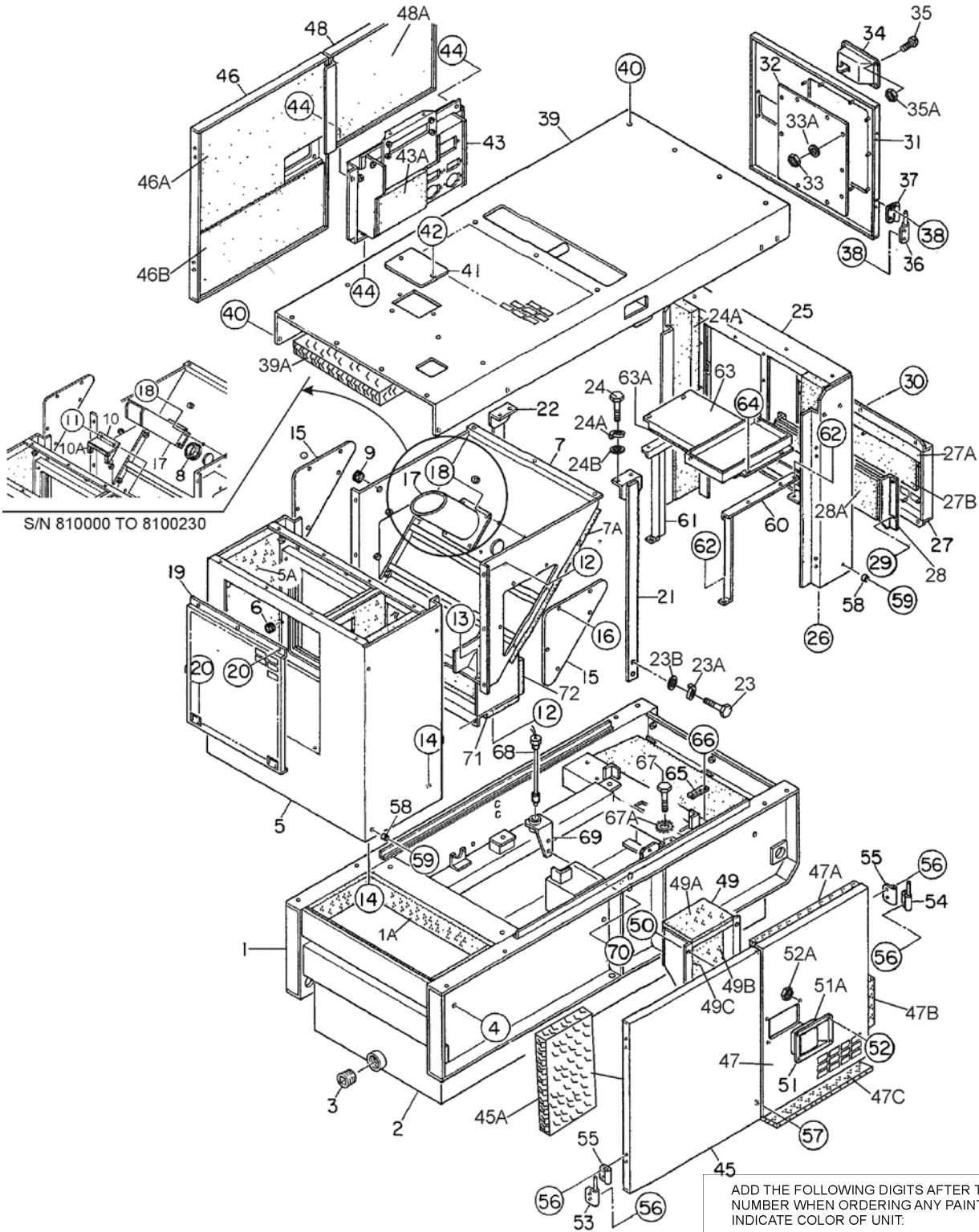
FUEL TANK ASSY.



FUEL TANK ASSY.

<u>NO.</u>	<u>PART NO.</u>	<u>PART NAME</u>	<u>QTY.</u>	<u>REMARKS</u>
1	M1365000302	FUEL TANK	1	
1-1	0605505070	FUEL TANK CAP	1	
1-2	0605501071	FUEL SENDER UNIT	1	
1-3	0605516090	GASKET	1	
2	M1365200204	TANK BAND	4	
3	M9310500104	SUPPORTER SHEET	4	
4	0016908020	HEX, HEAD BOLT	4	
5	0016908040	HEX, HEAD BOLT	2	
5A	0207008000	HEX, NUT	6	
6	0191201200	VENT HOSE	1	
7	0605515108	HOSE BAND	2	
7	0605515109	HOSE BAND	7	
8	8972112730	FUEL FILTER	1	REPLACES P/N 0602042203
8	8943672922	FUEL FILTER	1	REPLACES P/N 0602042202
8A	8972134720	CARTRIDGE, FUEL FILTER	1	REPLACES P/N 0602042701
8A	8943692993	CARTRIDGE, FUEL FILTER	1	REPLACES P/N 0602042700
9	M1368700004	BRACKET, FUEL FILTER	1	
10	0016908020	HEX, HEAD BOLT	4	
11	8970398340	FUEL PUMP	1	REPLACES P/N 0602023177
11A	8943370220	FUEL FILTER	1	REPLACES P/N 0602042425
12	0016906025	HEX, HEAD BOLT	2	
13	0191200330	SUCTION HOSE	1	
14	0191200200	SUCTION HOSE	1	
15	0191201300	SUCTION HOSE	1	
16	0191200800	RETURN HOSE	1	
17	0605515198	HOSE BAND	8	
18	0222100550	TANK SHEET	4	

ENCLOSURE ASSY.



ADD THE FOLLOWING DIGITS AFTER THE PART NUMBER WHEN ORDERING ANY PAINTED PANEL TO INDICATE COLOR OF UNIT.

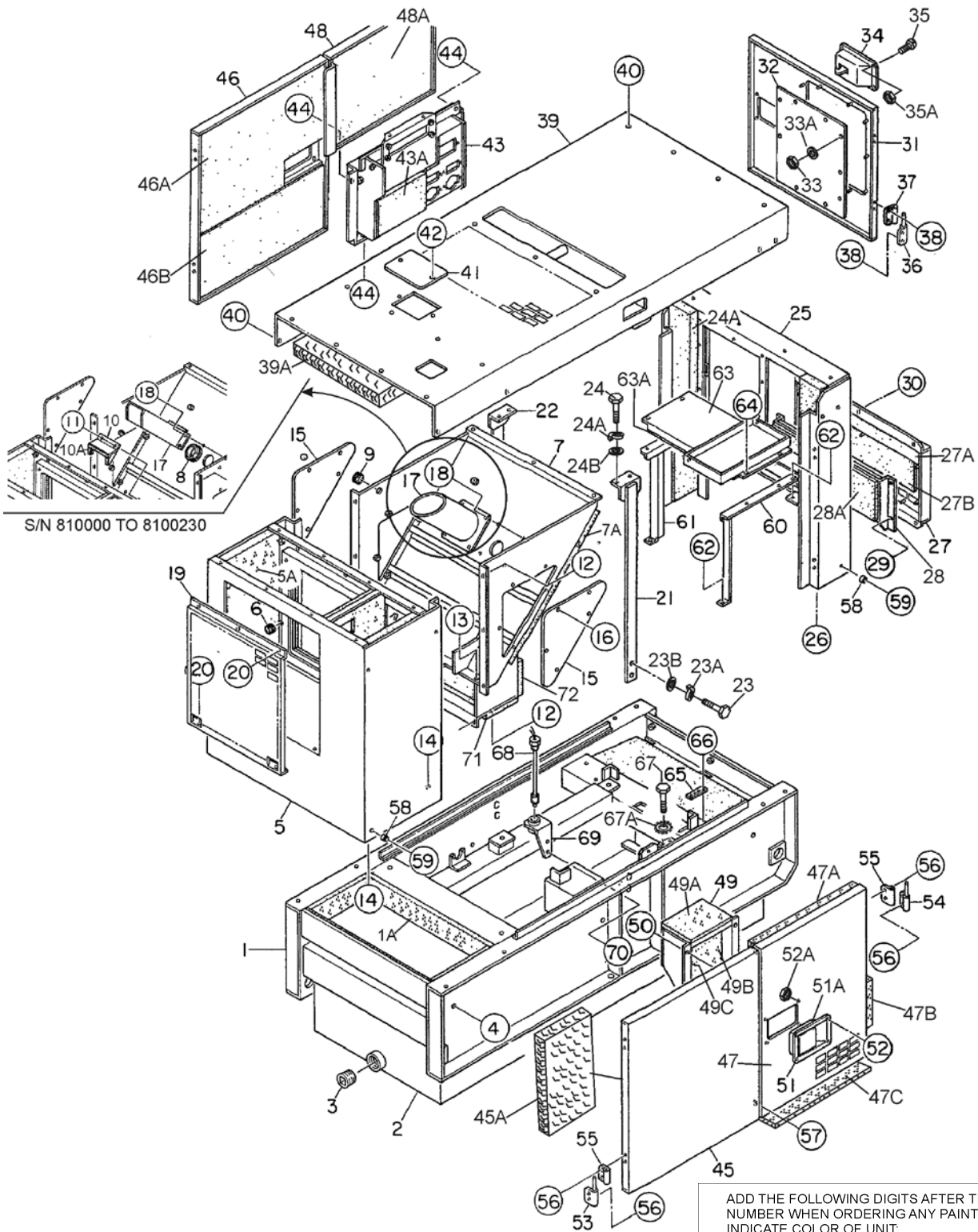
- | | |
|-----------------|----------------------|
| 1-ORANGE | 5-BLACK |
| 2-WHITE | 6-CATERPILLAR YELLOW |
| 3-SPECTRUM GREY | 7-CATO GOLD |
| 4-SUNBELT GREEN | 8-RED |

THE SERIAL NUMBER MAY BE REQUIRED.

ENCLOSURE ASSY.

<u>NO.</u>	<u>PART NO.</u>	<u>PART NAME</u>	<u>QTY.</u>	<u>REMARKS</u>
1	M1415000502	BASE.....	1	S/N 8100001 ~ 8100230
1	M1414000402	BASE.....	1	S/N 8100231 ~ AND ABOVE
1A	M1495000104	ACOUSTIC SHEET	1	
2	M1415100202	ENVIRONMENTAL TANK	1	
3	0603306797	PLUG	1	
4	0016910030	HEX, HEAD BOLT	6	
5	M1425000402	FRONT FRAME	1	S/N 8100001 ~ 8100219
5	M1424000502	FRONT FRAME	1	S/N 8100220 ~ 8100465
5	M1424000512	FRONT FRAME	1	S/N 8100466 ~ AND ABOVE
5A	M1495100403	ACOUSTIC SHEET	1	
6	0601850151	GROMMET	1	
7	M1425201102	FRONT DUCT	1	S/N 8100001 ~ 8100230
7	M1424200702	FRONT DUCT	1	S/N 8100231 ~ AND ABOVE
7A	M1495100503	ACOUSTIC SHEET	1	
8	0601851740	GROMMET	1	
9	0601850239	GROMMET	1	
10	M1312600104	HOSE COVER.....	1	S/N 8100001 ~ 8100230
10A	0228800120	SEAL RUBBER	1	S/N 8100001 ~ 8100230
10A	0228800040	SEAL RUBBER	2	S/N 8100001 ~ 8100230
11	0016906016	HEX, HEAD BOLT	2	S/N 8100001 ~ 8100230
12	0016908020	HEX, HEAD BOLT	9	
13	0016906020	HEX, HEAD BOLT	4	
14	0016908020	HEX, HEAD BOLT	6	
15	M1425201204	DUCT COVER	2	
16	0016906020	HEX, HEAD BOLT	10	
17	M1425201304	HOSE COVER.....	1	S/N 8100001 ~ 8100230
17	M1424200803	HOSE COVER.....	1	S/N 8100231 ~ AND ABOVE
18	0016906020	HEX, HEAD BOLT	4	
19	M1425200903	COVER, FROM FRAME	1	
20	0016908020	HEX, HEAD BOLT	5	S/N 8100001 ~ 8100231
20	0019208020	HEX, HEAD BOLT	5	S/N 8100232 ~ AND ABOVE
21	M1435300503	CENTER FRAME	1	
22	M1435300603	CENTER FRAME	1	
23	0013612030	HEX, HEAD BOLT	4	
23A	0040012000	WASHER, LOCK	4	
24B	0041212000	WASHER, FLAT	4	
24	0013612030	HEX, HEAD BOLT	4	
24A	0040012000	WASHER, LOCK	4	
24B	0041212000	WASHER, FLAT	4	
25	M1445000802	REAR FRAME	1	
25A	M1495300304	ACOUSTIC SHEET	1	
26	0016908020	HEX, HEAD BOLT	4	

ENCLOSURE ASSY. (CONTINUED)



S/N 810000 TO 8100230

ADD THE FOLLOWING DIGITS AFTER THE PART NUMBER WHEN ORDERING ANY PAINTED PANEL TO INDICATE COLOR OF UNIT.

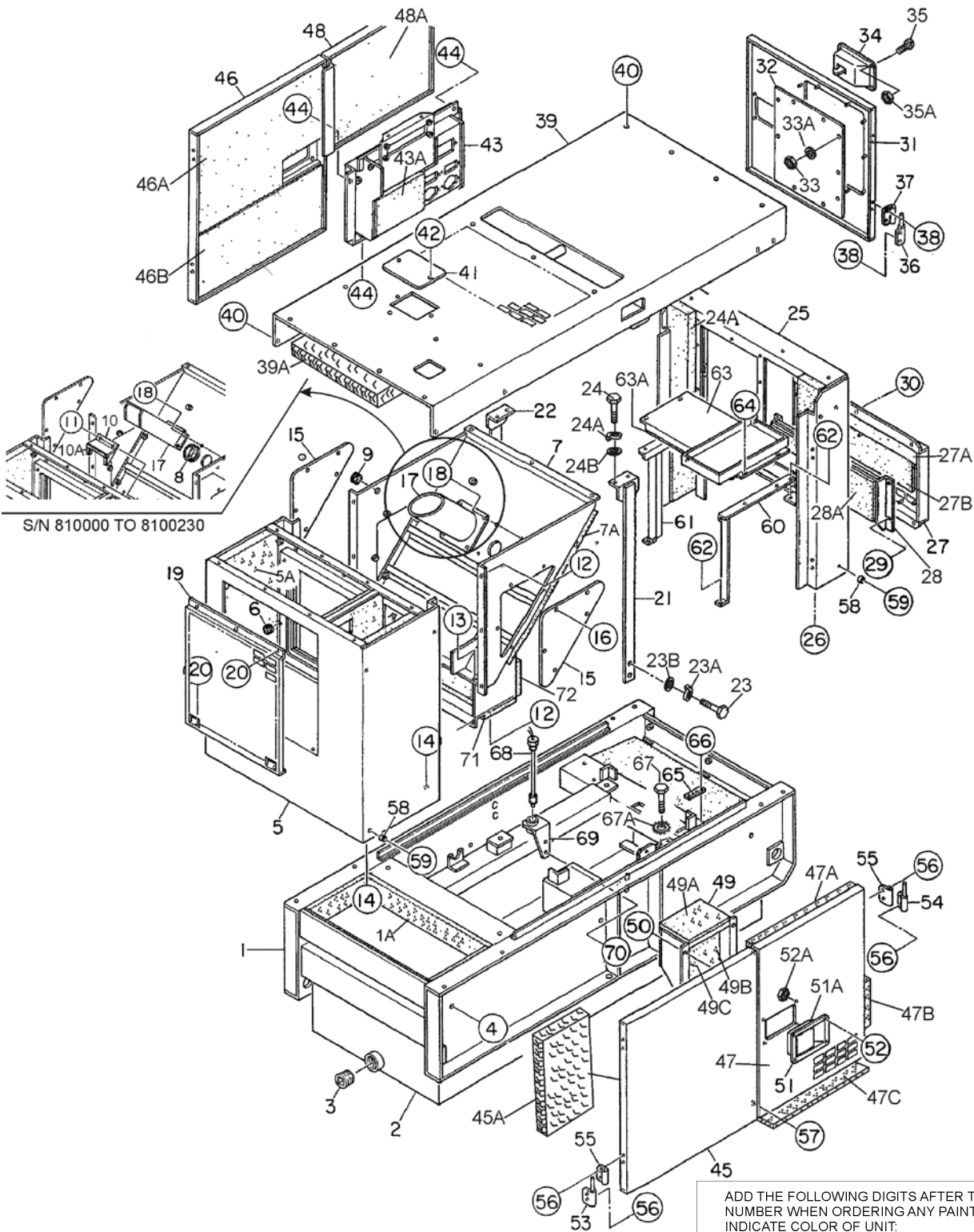
1-ORANGE	5-BLACK
2-WHITE	6-CATERPILLAR YELLOW
3-SPECTRUM GREY	7-CATO GOLD
4-SUNBELT GREEN	8-RED

THE SERIAL NUMBER MAY BE REQUIRED.

ENCLOSURE ASSY. (CONTINUED)

<u>NO.</u>	<u>PART NO.</u>	<u>PART NAME</u>	<u>QTY.</u>	<u>REMARKS</u>
27	M1445300103	REAR COVER	1	
27A	M1495300504	ACOUSTIC SHEET	1	
27B	M1495300604	ACOUSTIC SHEET	1	
28	M1445400103	DUCT	1	
28A	M1495300604	ACOUSTIC SHEET	2	
29	0207006000	HEX, NUT	7	
30	0016908020	HEX, HEAD BOLT	6	S/N 8100001 ~ 8100231
30	0019208020	HEX, HEAD BOLT	6	S/N 8100232 ~ AND ABOVE
31	M1445200303	REAR DOOR	1	
32	M1445600204	WINDOW PLATE	1	
33	0207306000	HEX, NUT	10	
33A	0041206000	WASHER, FLAT	10	
34	M9113000002	DOOR HANDLE ASSY.	1	
35	0021806016	MACHINE SCREW	4	
35A	0030006000	HEX, NUT	4	
36	M9112100404	HINGE	2	
37	M9112100604	HINGE	2	
38	0016908020	HEX, HEAD BOLT	8	
39	M1465000402	ROOF PANEL	1	
39A	M1495500213	ACOUSTIC SHEET	1	
40	0016908020	HEX, HEAD BOLT	23	S/N 8100001 ~ 8100231
40	0019208020	HEX, HEAD BOLT	23	S/N 8100232 ~ AND ABOVE
41	M1465400104	COVER	1	
42	0016908020	HEX, HEAD BOLT	2	S/N 8100001 ~ 8100231
42	0019208020	HEX, HEAD BOLT	2	S/N 8100232 ~ AND ABOVE
43	M1455200702	SPLASHER PANEL	1	
43A	M1495401004	ACOUSTIC SHEET	1	
44	0016908020	HEX, HEAD BOLT	4	
45	M1455100003	SIDE PANEL	1	
45A	M1495400904	ACOUSTIC SHEET	1	
46	M1455000903	SIDE DOOR	1	
46A	M1495500904	ACOUSTIC SHEET	1	
46B	M1495501004	ACOUSTIC SHEET	1	
47	M1455000803	SIDE DOOR	1	
47A	M1495501204	ACOUSTIC SHEET	1	
47B	M1495501304	ACOUSTIC SHEET	1	
46C	M1495401304	ACOUSTIC SHEET	1	
48	M1455000703	SIDE DOOR	1	
48A	M1495501104	ACOUSTIC SHEET	1	
49	M1455300403	DUCT	1	
49A	M1495401204	ACOUSTIC SHEET	3	
49B	M1495401304	ACOUSTIC SHEET	1	
49C	M1495401404	ACOUSTIC SHEET	1	
50	0207006000	HEX, NUT	6	

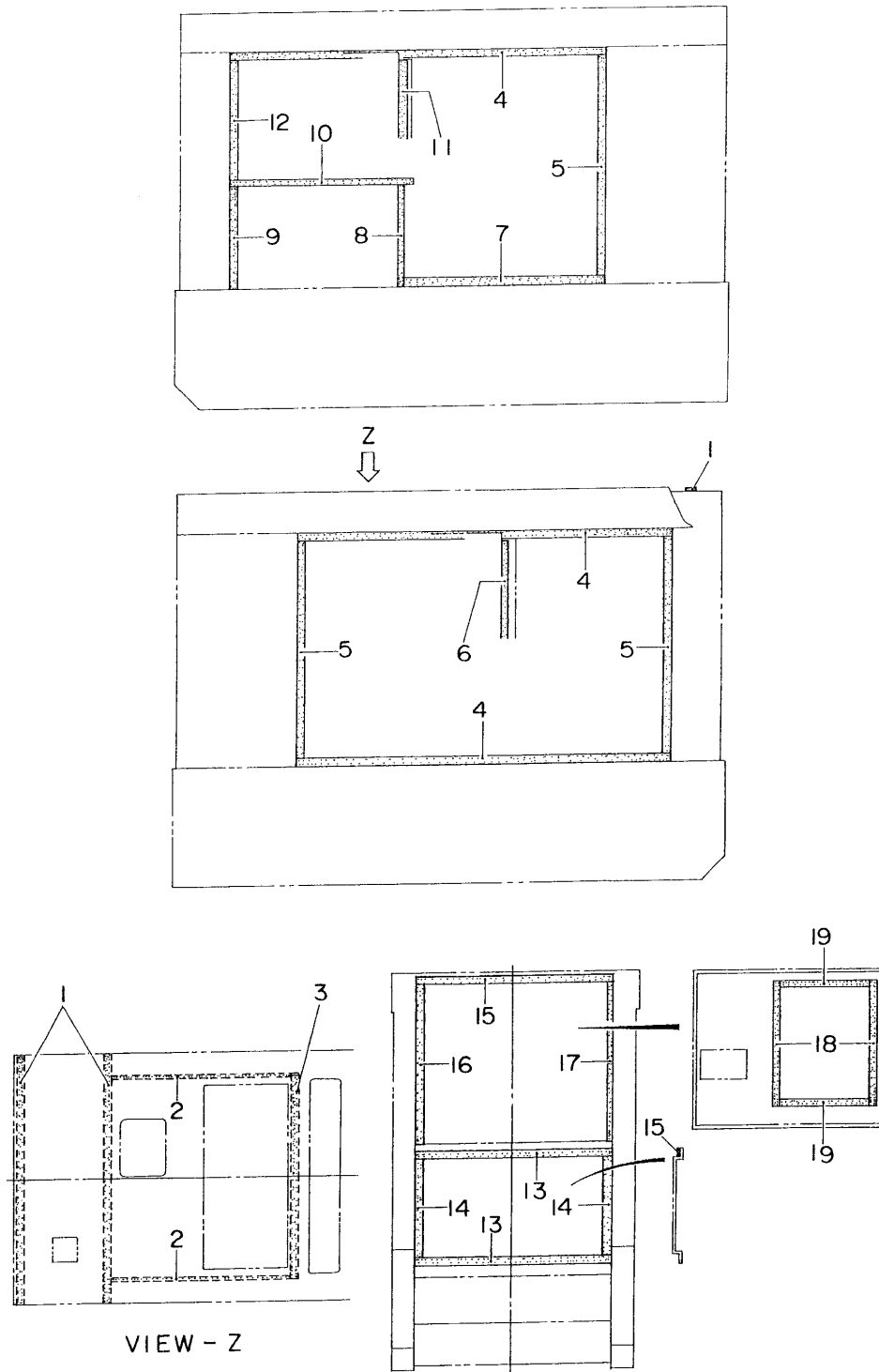
ENCLOSURE ASSY. (CONTINUED)



ENCLOSURE ASSY. (CONTINUED)

<u>NO.</u>	<u>PART NO.</u>	<u>PART NAME</u>	<u>QTY.</u>	<u>REMARKS</u>
51	M9113000002	DOOR HANDLE ASSY.	2	
51A	C9312500004	SEAL RUBBER	2	
52	0021806016	MACHINE SCREW	8	
52A	0030006000	HEX, NUT	8	
53	M9112100404	HINGE	4	
54	M9112100504	HINGE	4	
55	M9112100604	HINGE	8	
56	0016908020	HEX, HEAD BOLT	32	
57	0016908020	HEX, HEAD BOLT	2	
58	0601850097	STOPPER	5	
59	0027208025	MACHINE SCREW	5	
60	M1435000903	BRACKET STAY	1	
61	M1435000803	BRACKET STAY	1	
62	0016908020	HEX, HEAD BOLT	4	
63	M1435000703	SUPPORT LEG	1	
63A	M1498200004	ACOUSTIC SHEET	1	
64	0016908020	HEX, HEAD BOLT	4	
65	M1278200004	PLATE	1	S/N 8100001 ~ 8100430
66	0016906016	HEX, HEAD BOLT	4	
67	0016908020	HEX, HEAD BOLT	1	
67A	0040508000	TOOTHED WASHER	1	
68	0605503066	FUEL LEAK DETECTED SWITCH	1	S/N 8100231 ~ AND ABOVE
69	M1414800204	BRACKET	1	S/N 8100231 ~ AND ABOVE
70	0017108020	HEX, HEAD BOLT	2	S/N 8100231 ~ AND ABOVE
71	M1495101904	BOTTOM ACOUSTIC SHEET	1	
72	M1495101804	SIDE ACOUSTIC SHEET	1	

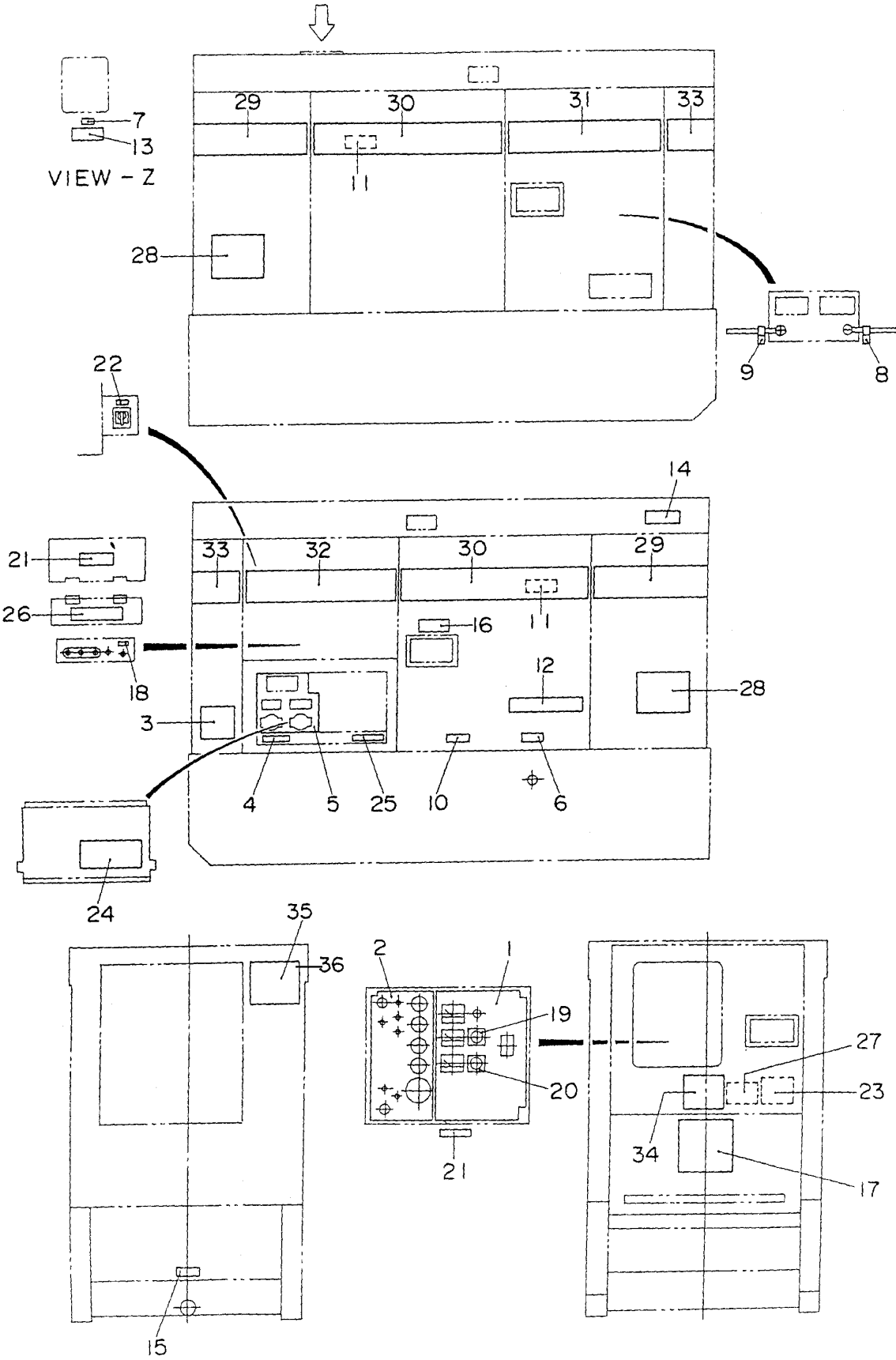
RUBBER SEALS ASSY.



RUBBER SEALS ASSY.

<u>NO.</u>	<u>PART NO.</u>	<u>PART NAME</u>	<u>QTY.</u>	<u>REMARKS</u>
1	0229200790	SEAL RUBBER	3	
2	0314500560	SEAL RUBBER	2	
3	0229200630	SEAL RUBBER	1	
4	0228901220	SEAL RUBBER	3	
5	0228900690	SEAL RUBBER	3	
6	0228800690	SEAL RUBBER	1	
7	0228900655	SEAL RUBBER	1	
8	0228900325	SEAL RUBBER	1	
9	0229200325	SEAL RUBBER	1	
10	0228800595	SEAL RUBBER	1	
11	0228800375	SEAL RUBBER	1	
12	0228900375	SEAL RUBBER	1	
13	0229200650	SEAL RUBBER	2	
14	0229200320	SEAL RUBBER	2	
15	0228800650	SEAL RUBBER	1	S/N 8100001 ~ 8100230
15	0228800650	SEAL RUBBER	2	S/N 8100231 ~ AND ABOVE
16	0228900520	SEAL RUBBER	1	
17	0228800520	SEAL RUBBER	1	
18	0228100390	SEAL RUBBER	2	
19	0228100320	SEAL RUBBER	2	

NAMEPLATE AND DECALS ASSY.



NAMEPLATE AND DECALS ASSY.

<u>NO.</u>	<u>PART NO.</u>	<u>PART NAME</u>	<u>QTY.</u>	<u>REMARKS</u>
1	M1512400002	DECAL; GENERATOR CONTROL.....	1	M11240000A
2	M1512400102	DECAL; ENGINE OPERATING	1	M11240010A
			S/N 8100001 ~ 8100230
2	M1512400112	DECAL; ENGINE OPERATING	1	M11240011
			S/N 8100231 ~ AND ABOVE
3	M1550000104	DECAL; NOTE.....	1	M15000010
4	M1550000204	DECAL; NOTE.....	1	M15000020
5	M1552000603	DECAL; AUXILLARY OUTPUT	1	M15200060
6	M9500000004	DECAL; OIL DRAIN PLUG.....	1	M90000000
7	M9500100004	DECAL; WATER	1	M90010000
8	M9500300004	DECAL; -	1	M90030000
9	M9500300104	DECAL; +	1	M90030010
10	M9500500004	DECAL; DIESEL FUEL.....	1	M90050000
11	M9503000004	DECAL; WARNING MOVING PARTS.....	2	M90300000
12	M9503000103	DECAL; WATER - OIL CHECK.....	1	M90300010
13	M9503100004	DECAL; WARNING HOT COOLANT.....	1	M90310000
14	M9503200004	DECAL; WARNING ENGINE EXHAUST.....	1	M90320000
15	M9510000004	DECAL; FLUID DRAIN.....	1	M91000000
16	M9510100004	DECAL; CAUTION HOT PARTS.....	1	M91010000
17	M9512200004	DECAL; MQ.....	1	M91220000
18	M9520000004	DECAL; GROUND.....	1	M92000000
19	M9520000104	DECAL; AMMETER CHANGE-OVER SW..	1	M92000010
20	M9520000204	DECAL; VOLTMETER CHG.-OVER SW....	1	M92000020
21	M9520100004	DECAL; WARNING ELECT. SHOCK HAZ. .	2	M92010000
22	M9520100204	DECAL; CAUTION.....	1	M92010020A
23	M9520100304	DECAL; SAFETY INSTRUCTION	1	M92010030
24	M9520100404	DECAL; DANGER HIGH VOLTAGE.....	1	M92010040
25	M9520100503	DECAL; WARNING	1	M92010050
26	M9520200003	DECAL; CONNECT OF OUTPUT CABLE ..	1	M92020000
27	M9520200104	DECAL; OVER CURRENT RELAY.....	1	M92020010
28	M1561000004	DECAL; MQ POWER	3	S/N 8011111 ~ 8100219
28	M1561000004	DECAL; MQ POWER	2	S/N 8100220 ~ AND ABOVE
29	M1562100004	STRIPE	2	
30	M1562100103	STRIPE; WHISPERWATT	2	
31	M1562100204	STRIPE; 25	1	
32	M1562100304	STRIPE; 25	1	
33	M1562100404	STRIPE	2	
34	M9510100304	DECAL; ENVIR. WARNING,	1	M91010030
			S/N 8400231 ~ AND ABOVE
35	0600500092	PLATE; MQ POWER	1	S/N 8100220 ~ AND ABOVE
36	0021106016	MACHINE SCREW	4	S/N 8100220 ~ AND ABOVE