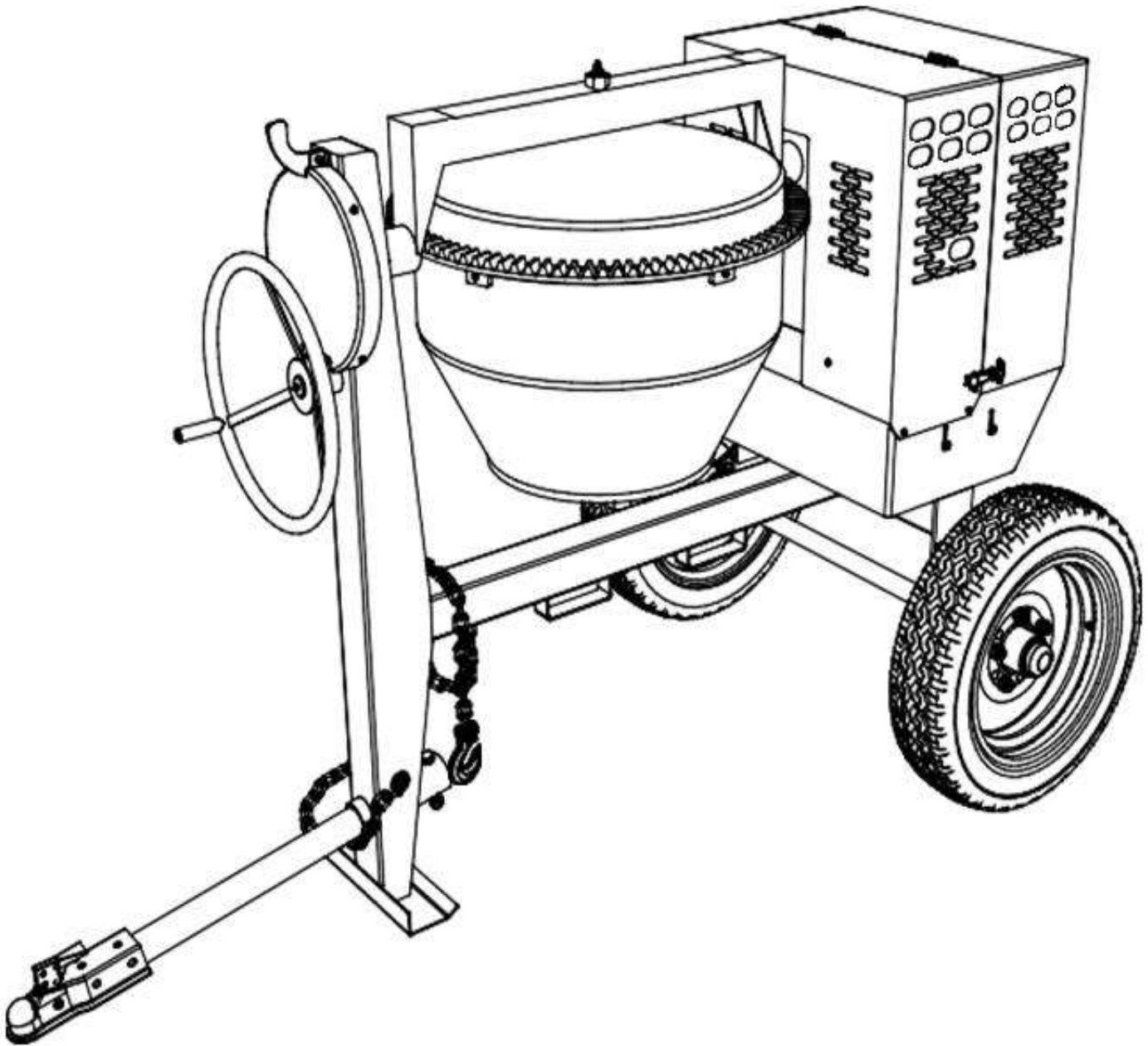
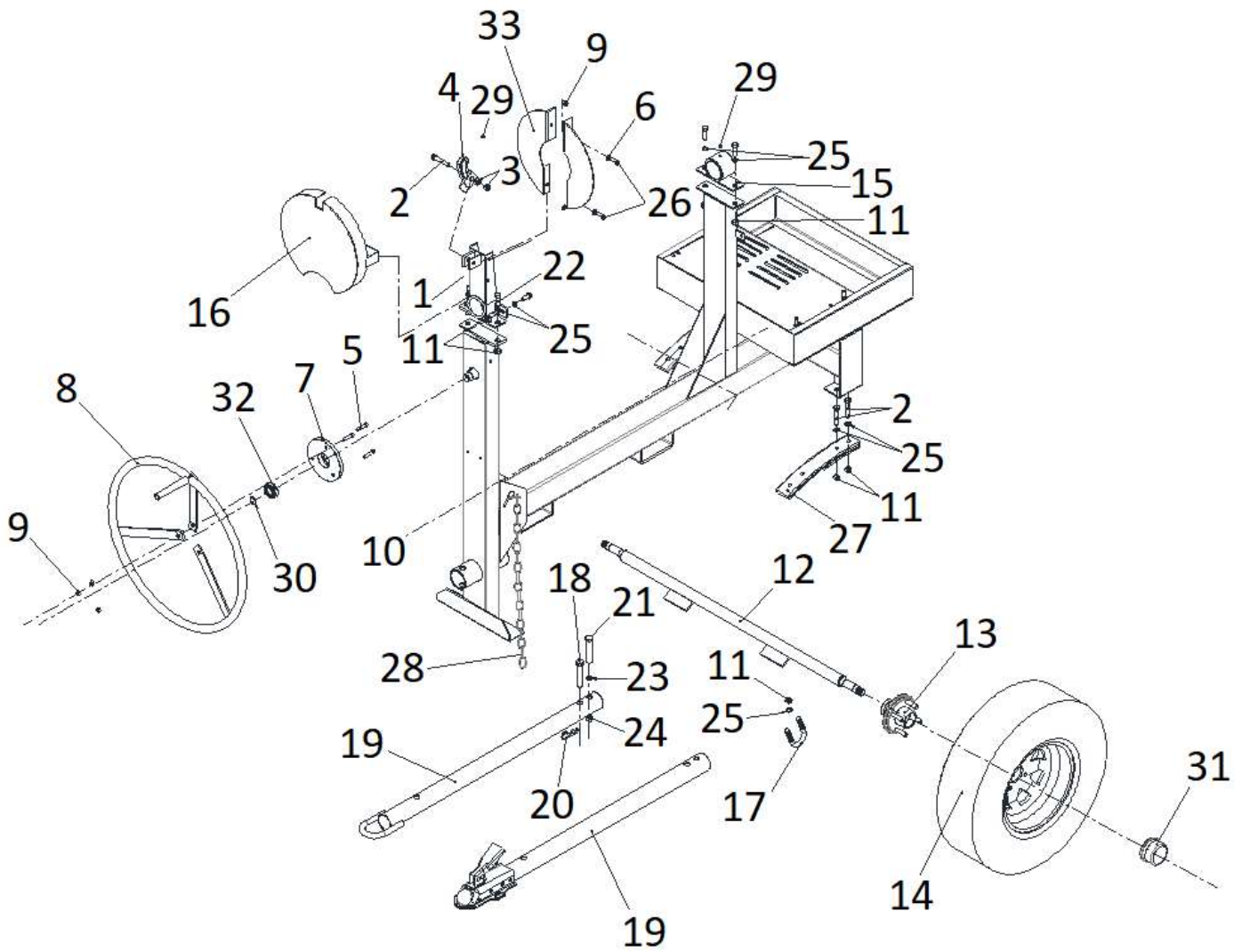


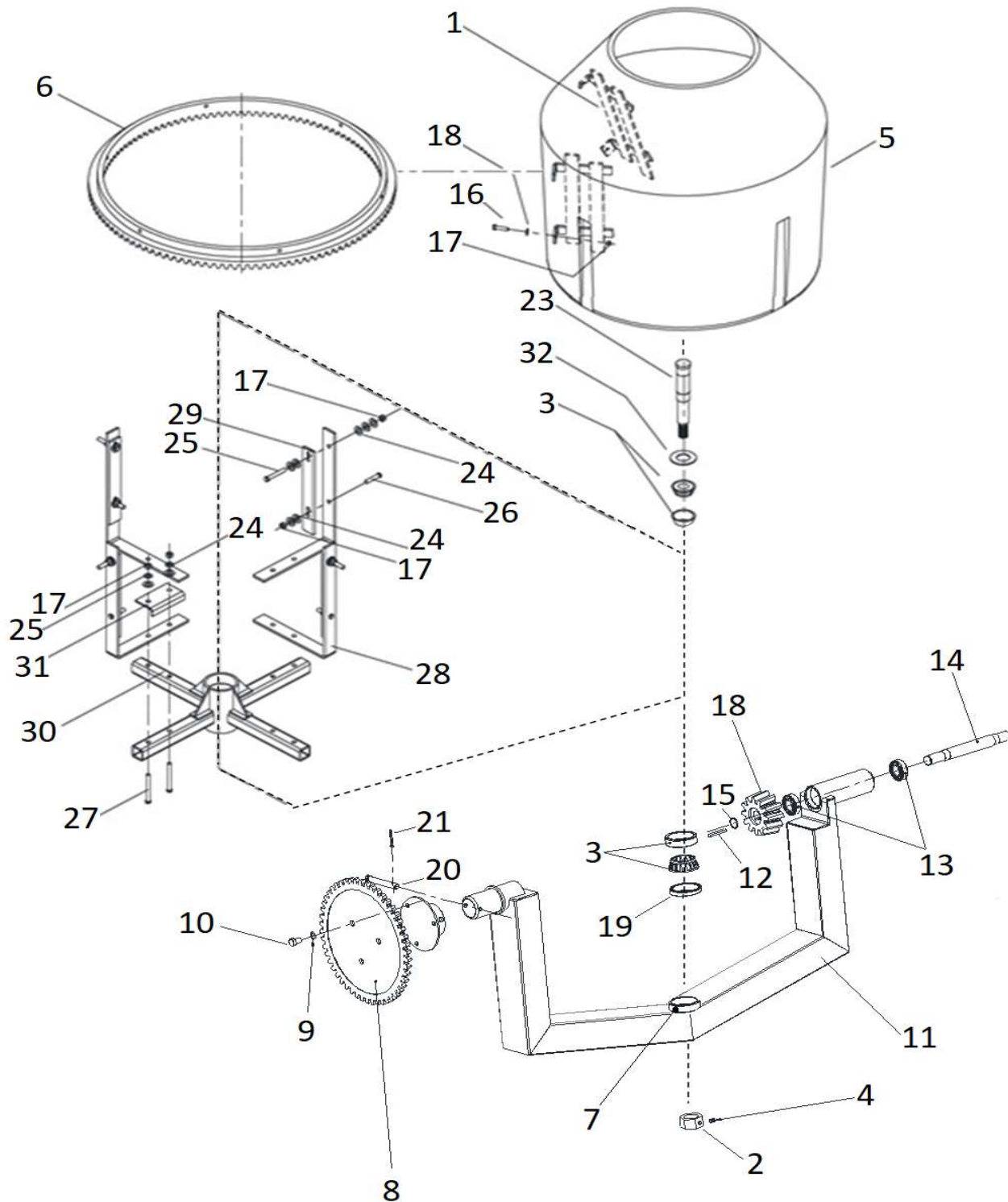
CM9P (T- FRAME) PARTS BREAKDOWN



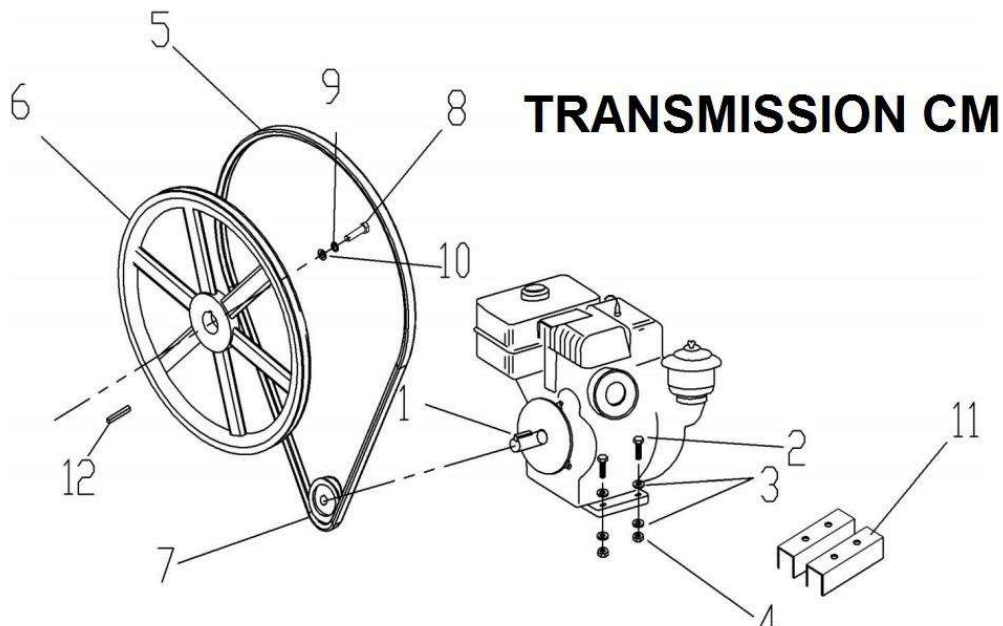


FRAME ASSEY				
ITEM	SKU #	PART #	DESCRIPTION	CM9P
1	0100SC01FR	C103	STEERING WHEEL BRAKE CM - C103	1
2	TOCD012212	C146	HEX BOLT HD 1/2" X 2-1/2" - T104 - C146 - 226690	5
3	TCCN012GAL	T190	HEX LOCK NUT 1/2" - T190 - C178	2
4	0100FG01FR	C104	STEERING WHEEL LOCK PIN BREAK CM - C104	1
5	TOCD038112	T176	HEX BOLT 3/8" X 1-1/2" - T176 - C141 - 226230	7
6	RNRX038GAL	T113	LOCK WASHER 3/8" T113 - C144 -176230	4
7	0101FG012H	C109-1	CONTROL HANDLE BLOCK 5-15/16" E.D. X 1-1/4" W/6205 BRG FOR ALL CM C109-1 (NEW STYLE)	1
8	0103SC01VO	C111	STEERING WHEEL HANDLE W/ ROTABLE HANDLE ALL CM - C111	1
9	TCCS038GAL	C142	HEX LOCK NUT 3/8" - 227830 - T114 - C142	3
10		C100-1	T-TYPE FRAME ALL CM MODELS 2019 - C110-1	1
11	TCCS012GAL	T106	HEX LOCK NUT 1/2" - T106 - 227854 - C304	12
12	0130SC02RD	C134	AXLE, ASSY INCLUDES HUBS - 702058 - C134 - C195	1
13	0200KI03RD	T129-1	WHEEL HUB W/ 1" BRG L44643 & DUST CAP - 702071 - T129 - C135 (NEW STYLE)	2
14	0000CO01RD	T137	WHEEL & TIRE ASSY 165-80 R13" - T137 - 431081 - C136	2
15	0113CO01PT	C105-1	DRUM YOKE PILLOW BLOCK - C105-1 (FOR T-FRAME)	1
16	0170CO01GF	C157	CONTROL HANDLE SAFETY GEAR GUARD CM - C157	1
17	0170CO03CH	C167	CM/HM AXLE U-CLAMP C166 - 0900CR02RD -702059	2
18*	0000CR01LZ	T121	TOWING HITCH, LOCK PIN - T121 - C169 - 496088 - 702078	1
18	TOFD058312-A	T121-1	TOWING HITCH, LOCK PIN - T121-1 -701031	1
19	0000CO04LZ	T119-V	2" BALL HITCH VERTICAL HOLE - 702070 - T119	1
19	0000CO03LZ	T118-V	PINTLE HITCH VERTICAL HOLE - 702069 - T118 - C193	1
20	0111SR01LZ	T110	3/6" COTTER PIN CP-85H - SR00036EXT - T110 - 134955	1
21*	TOFD034312	T122	TOWING HITCH, HEX HEAD SCREW 3/4" X 3-1/2" - T122 - C148 - 226272 - 701001	1

21	TOFD058312	T122-1	TOWING HITCH, HEX HEAD SCREW 5/8" X 3-1/2" - T122-1 - 701035	1
22	TOCD012112	T595	HEX BOLT HD GR5 1/2" X 1-1/2" - 226650 - C303 - T595	2
23*	RNRX034GAL	T123	TOWING HITCH, SPRING WASHER 3/4" - 174510 - T123	1
23	RNRX058GAL	T123-1	TOWING HITCH, SPRING WASHER 5/8" - T123-1 - 701032	1
24*	TCFN034GAL	T124	TOWING HITCH, HEX NUT, 3/4 NF - 701028 - T124 - C179	1
24	TCFN058GAL	T124-1	TOWING HITCH, HEX NUT, 3/4 NF - 701028 - T124 - C179 (2018)	1
25	RNRX012GAL	T112	SPING WASHER 1/2" - C145 - 176250 - T568 - T112	3
26	TOCD038100	C138	HEX BOLT 3/8 X 1 - C138	4
27	0000RF03CH	C165	SET AXLE LEIFS SPRINGS FOR CM - C165	2
28	CAD3516GAL	T501	5/16 SAFETY CHAIN W/ OVAL SNAPS T501 - 609686 - 701012 - CA03316GAL	1
29	0000GRH200	C155	FTG, GREASE ST 1/8 NPT - 110680 - C15	2
30	SM00156EXT	C151	RETAINING OMEGA RING - 1-15/16" - 701029 - C151	1
31	0000RF10RD	T136-1	DUST CAP FOR WHEEL HUBS 1.98" (NEW STYLE) - 702087 - T136-1 - 464804	2
32	0000BA6205	C154	BALL BEARING, 6205 - C154 - 701016 (JEL205-100W3)	1
33	0113LA01YU	C157-T	CONTROL HANDLE GEAR GUARD REAR CM (BOTH ENDS) T-FRAME	1

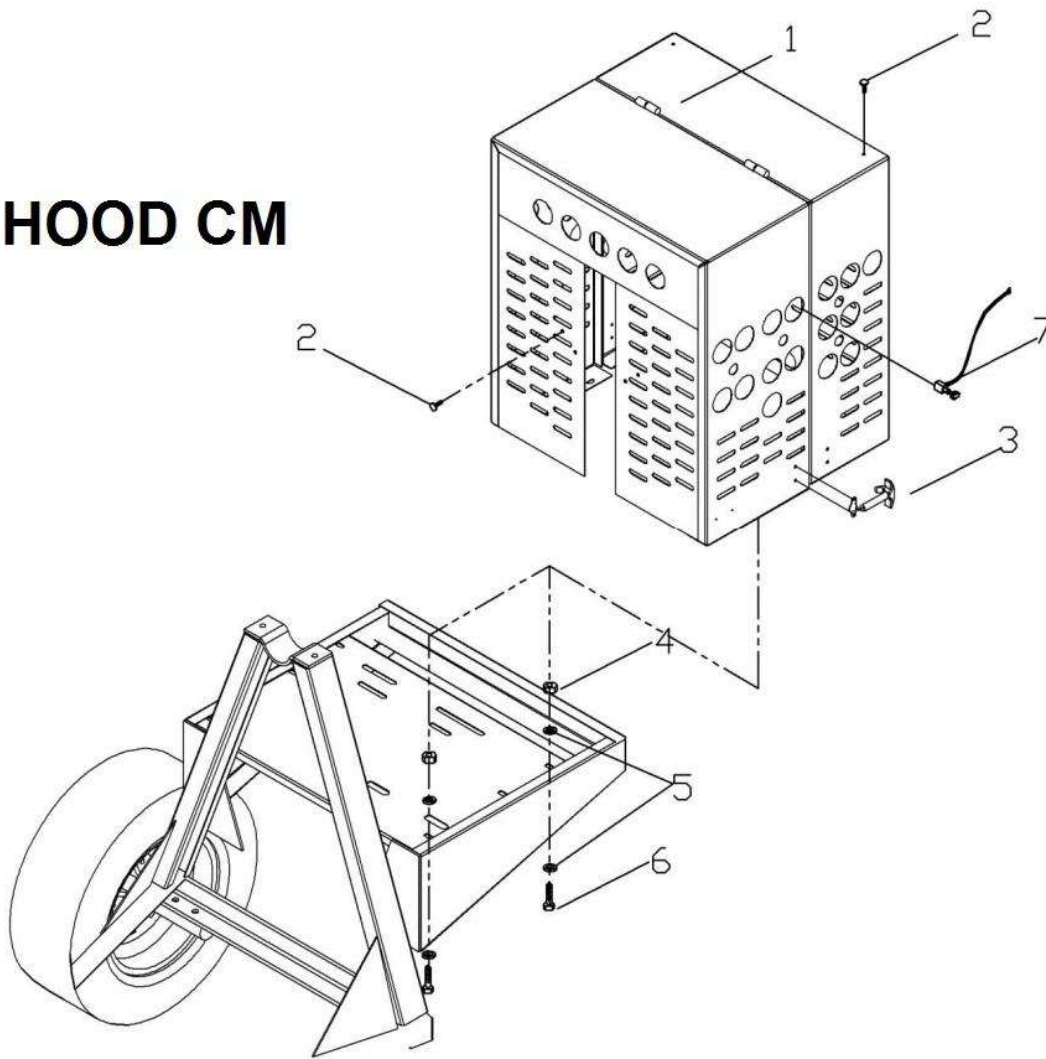


POLY DRUM ASSEY CMP				
ITEM	SKU #	PART #	DESCRIPTION	CM9P
1	0100SC01AS	C505	PADDLE C3/C6P/C9P/CM9P - 702107 - C505 - 412010	6
2	TCCN138MAQ	C117	HEX NUT, 1-3/8" - C117 - 701013	1
3	0000BA2788	C150	BALL BEARING, TRB CO&S 4T-LM67048L (W/ CUP BA2788/20) - C150 - 701014 2010	2
4	OPCR038012	C116	ALLEN SCREW 3/8 X 1/2 - 702072 - C116	1
5	0906CO01TQ	C504	DRUM C9P/CM9P INCLUDES PADDLES - 702085 - C504 - C191	1
5	0111CO01EF	C522	C9P/CM9P DRUM KIT ASSEY (DRUM, PADDLES, YOKE, RING) - C522 - 609936 - 610502	1
6	0100FG02TQ	C122	RING GEAR (115 TH 32-7/8" DIA) ALL CM - C122 - 702040	1
7	0000GRH200	C155	FTG, GREASE ST 1/8 NPT - 110680 - C155	1
8	0100FN01YU	C107-1	STEERING WHEEL GEAR (DUCTILE CASTING) FOR CM - C107-1	1
9	RNRX012GAL	T112	SPING WASHER 1/2" - C145 - 176250 - T568 - T112	3
10	TOCD012034	C149	HEX BOLT GR5 1/2 X 3/4 - C149	3
11	0111CO01YU	C520	YOKE CM9P - C520	1
12	0170CC01MO	T483	KEY 1/4 X 1-1/4 - 701027 - C152 - T483 - 0000CU01TR	1
13	0000BA6205	C154	BALL BEARING, 6205 - C154 - 701016 (JEL205-100W3)	2
14	0100CR02YU	C124	TRANS. SHAFT CM SHAFT 1 1/16 X 9 3/4" - C124 - 411894	1
15	SM00156EXT	C151	RETAINING OMEGA RING - 1-15/16" - 701029 - C151	2
16	TOCD038112	C141	HEX BOLT 3/8" X 1-1/2" - T176 - C141 - 226230	9
17	TCCS038GAL	C142	HEX LOCK NUT 3/8" - 227830 - T114 - C142	19
18	RNPX038GAL	T112	PLAIN WASHER 3/8" - T112 - C139 - 174986 - 701032 - C140	20
19	0100RF01TQ	C532	CM DRUM BOTTOM SHAFT SEAL TC38X80X8 - C532 (NEW STYLE)	1
20	TOCD012400	N/A	HEX HEAD CAP SCREW 1/2 X 4"	1
21	SC018112NOR	N/A	COTTER PIN 1/8 X 1 1/2"	1
22	0113CO01YU	N/A	CM YOKE HANDLE BLOCK/FLANGE	1
23	0113CR01YU	N/A	DRUM SHAFT CM (T-FRAME)	1
24	RNPX012GAL	C147	PLAIN WASHER 1/2" - T105 - C172 - 174470	36
25	TOCD038212	C526	HEX BOLT HD, 3/8" X 2-1/2 - T590 - 226270	4
26	TOCD038134	C527	HEX BOLT HD, 3/8 X 1-3/4 - 226240	4
27	TOCD038312	C528	HEX BOLT HD, 3/8" X 3-1/2" - T353 - 226275	8
28	0100SO02AD	C529	BRACKET SUPPORT ARM CM9P - C529 - 702122 - 0100SO02AD	4
29	0110SO01AD	C531	BRACKET SUPPORT INNER CM6P/C6P - C531 - 702123 - 0110SO01AD	4
30	0111CO01TQ	C508	DRUM SUPPORT REINFORCED C9P/CM9P - C508 - 702120 - 0100CO01AD	1
31	0100PL03AD	C525	CLAMP DRUM SUPPORT CM6P/CM9P - C525 - 702121	4
32	0100RF01TQ	C532	CM DRUM BOTTOM SHAFT SEAL TC38X80X8 - C532 (NEW STYLE)	1



TRANSM ASSEY BREAK DOWN						
ITEM	SKU #	PART #	DESCRIPTION	CM7	CM9	CM12
*	202002M	202002M	HONDA ENGINE GX160	1	1	
*	202008M	202008M	HONDA ENGINE GX240	1	1	
*	202012M	202012M	HONDA ENGINE GX390			1
1	0200CU02TR	T147	ENGINE KEY 1/4 FOR 8HP & 13HP - T147	1		
1	0200CU03TR	T147-1	ENGINE KEY 3/16" FOR 5HP - C514 - T147-1	1	1	1
2	TOCD038200	C158	HEX BOLT HD, GR5 3/8" X 2" - 226250 - T145- C158	4	4	4
2	TOCD038100	C138	HEX BOLT 3/8 X 1 - C138 (ELECTRIC)	4	4	4
3	RNPX038GAL	C139	PLAIN WASHER 3/8" - T112 - C139 - 174986 - 701032 - C140	8	8	8
4	TCCS038GAL	C142	HEX LOCK NUT 3/8" - 227830 - T114 - C142	4	4	4
5	0000BNB64	C129	BELT-V B64 FOR CM GAS ENGINE UNITS (V-FRAME) - C129-T	1	1	1
5	0000BNB68	C194	BELT-V B68 FOR CM ELECTRIC UNITS (V-FRAME) *IF NOT USED WITH BRACKETS T165*	1	1	1
6	POFG190516TK	C125	PULLEY 19" X 1 GROOVE CM - C125	1	1	1
7	POFG212034	C126	PULLEY 2-1/2" X CAL 3/4" (AK2534) - 702049 - 411871 - C126	1		
7	POFG212100	C127	PULLEY 2-1/2" X CAL. 1" -702050 - 459960 - C127 (8 HP -13 HP ENGINE)	1	1	1
7	POFG212058	C185	PULLEY 2-1/2" X 5/8" (AK2558) - 702051 C185 (.5 HP - 1.5 HP MOTOR)	1		
7	POFG212078	C186	PULLEY 2-1/2" X CAL 7/8" 1 GROOVE (AK2578) - 702052 (2 HP MOTOR)	1	1	1
7	POFG212118	C187	PULLEY 2-1/2" X CAL 1 1/8" - 702053 (3 HP - 5HP MOTOR)		1	1
8	TOFD038100	T116	HEX BOLT HD, GR5 3/8 X 1 NF - T116	1	1	1
9	RNPX038ESP	C505	SPRING WASHER 3/8 X 1-1/4 - 701017 - C509	1	1	1
10	RNPX038GAL	T112	PLAIN WASHER 3/8" - T112 - C139 - 174986 - 701032	1	1	1
11	0201PL01MO	T165	RAISING HEIGHT BRACKET FOR 5.5HP ENGINE & ELECTRIC MOTOR - T165	1		
12	0170CC01MO	C152	KEY 1/4 X 1-1/4 - 701027 - C152 - T483 - 0000CU01TR	1	1	1

HOOD CM



HOOD ASSEY						
ITEM	SKU #	PART #	DESCRIPTION	CM7	CM9	CM12
1	0110CO01GA	C131	HOOD, HINGED ASSY SINCE THE SERIES CM7-CM12 - C131	1	1	1
2	0000RF01GA	T158	RUBBER SCREW 1/4" FOR SHROUD - T158 - C159 - 201544	2	2	2
3	0000RF02GA	T160	SHROUD HOOK ASSEMBLY - T160 - C161 - 701004 - 201543	2	2	2
4	TCCS038GAL	T114	HEX LOCK NUT 3/8" - 227830 - T114 - C142	4	4	4
5	RNPX038GAL	T112	PLAIN WASHER 3/8" - T112 - C139 - 174986 - 701032 - C140	8	8	8
6	TOCD038112	T176	HEX BOLT 3/8" X 1-1/2" - T176 - C141 - 226230	4	4	4
7	1000KI04GA	T193	ENGINE KILL SWITCH ASSEY RED (WITH HARNESS) 701007 - T193	1	1	1
7	0200KI01GA	T195-1	ENGINE N.O KILL SWITCH RED (NO HARNESS) - 816769AS - 112500 - T195-1 - 290100	1	1	1