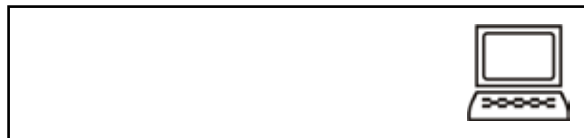


OPERATION AND PARTS MANUAL



MODEL J36S60 WALK-BEHIND TROWEL (SUBARU EX170DM2230 GASOLINE ENGINE)

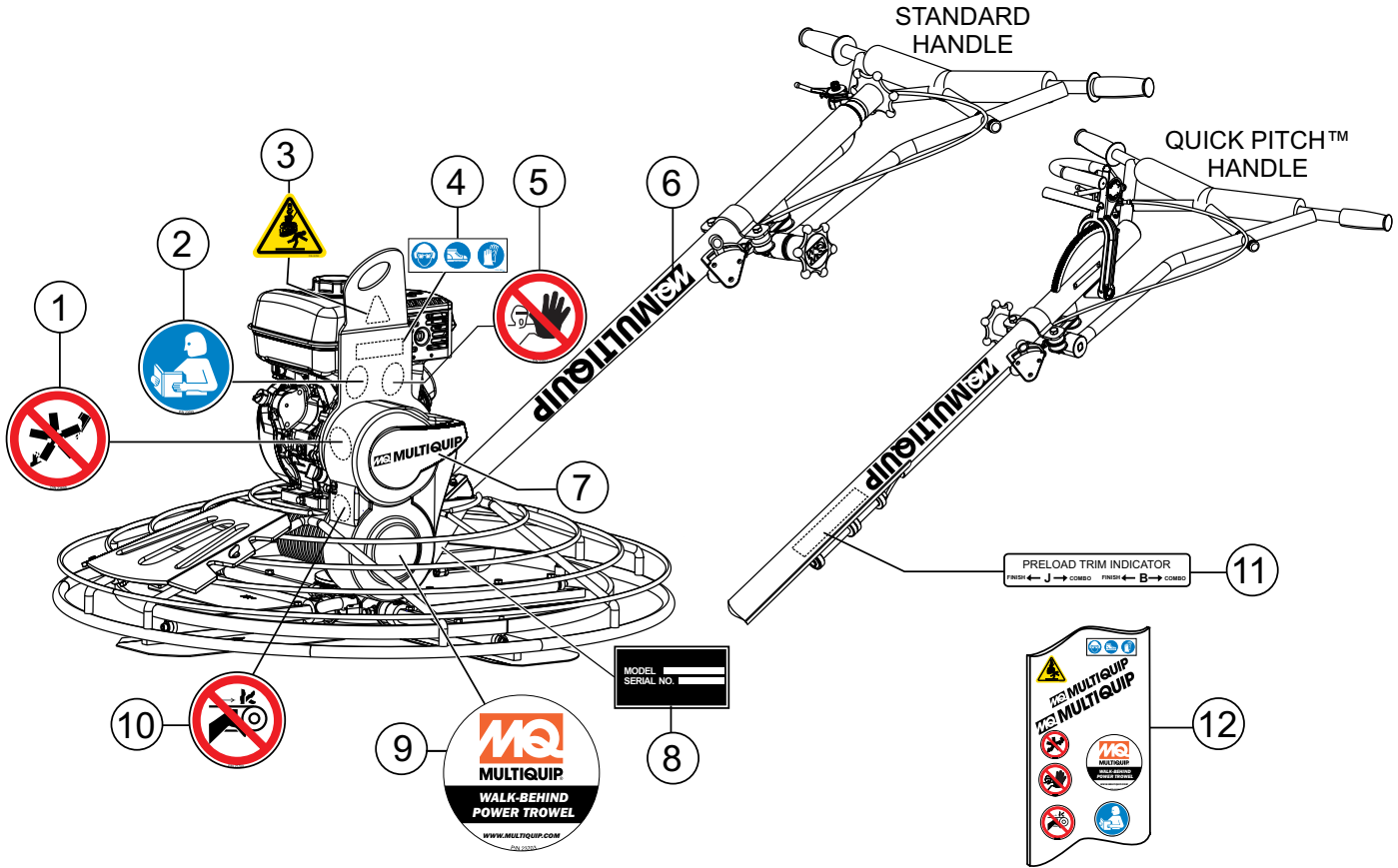
Revision #1 (01/23/12)



THIS MANUAL MUST ACCOMPANY THE EQUIPMENT AT ALL TIMES.

PN: 23968

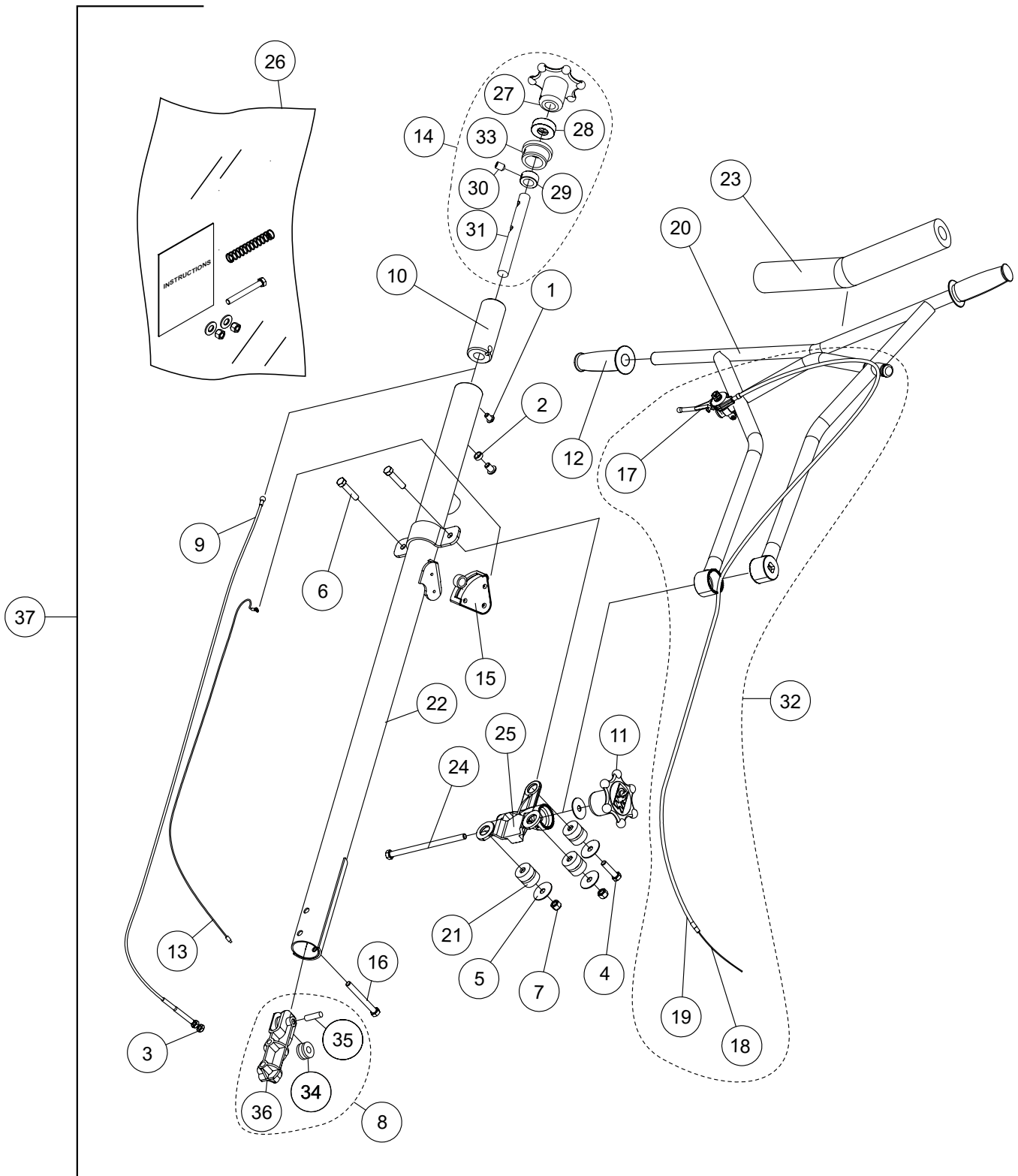
NAMEPLATE AND DECALS



NAMEPLATE AND DECALS

<u>NO.</u>	<u>PART NO.</u>	<u>PART NAME</u>	<u>QTY.</u>	<u>REMARKS</u>
1#	23698	ISO DECAL, ROTATING BLADE HAZARD, 2.00" DIA.	1	
2#	23699	ISO DECAL, READ MANUAL, 2.00" DIA.	1	
3#	23700	ISO DECAL, LIFTING/CRUSH, 2.4" X 2.0"	1	
4#	36099	ISO DECAL, PROTECTIVE CLOTHING, 3.50" X 1.13"	1	
5#	23701	ISO DECAL, ASK FOR TRAINING, 2.00" DIA.	1	
6	23702	DECAL, MQ LOGO 12.30" X 1.457"	1	
7#	20816	DECAL, MQ LOGO 6.78" X .80"	1	
8	23683	DECAL, SERIAL PLATE, WBT- CHINA	1	
9#	23703	DECAL, MQ MULTQUIP ROUND 3.78" DIA.	1	
10#	23704	ISO DECAL, GUARD WARNING 2.00" DIA.	1	
11	1735	DECAL, PRE-LOAD	1QUICK PITCH ONLY
12	22897	MQS DECAL KIT.....	1INCLUDES ITEMS W/#

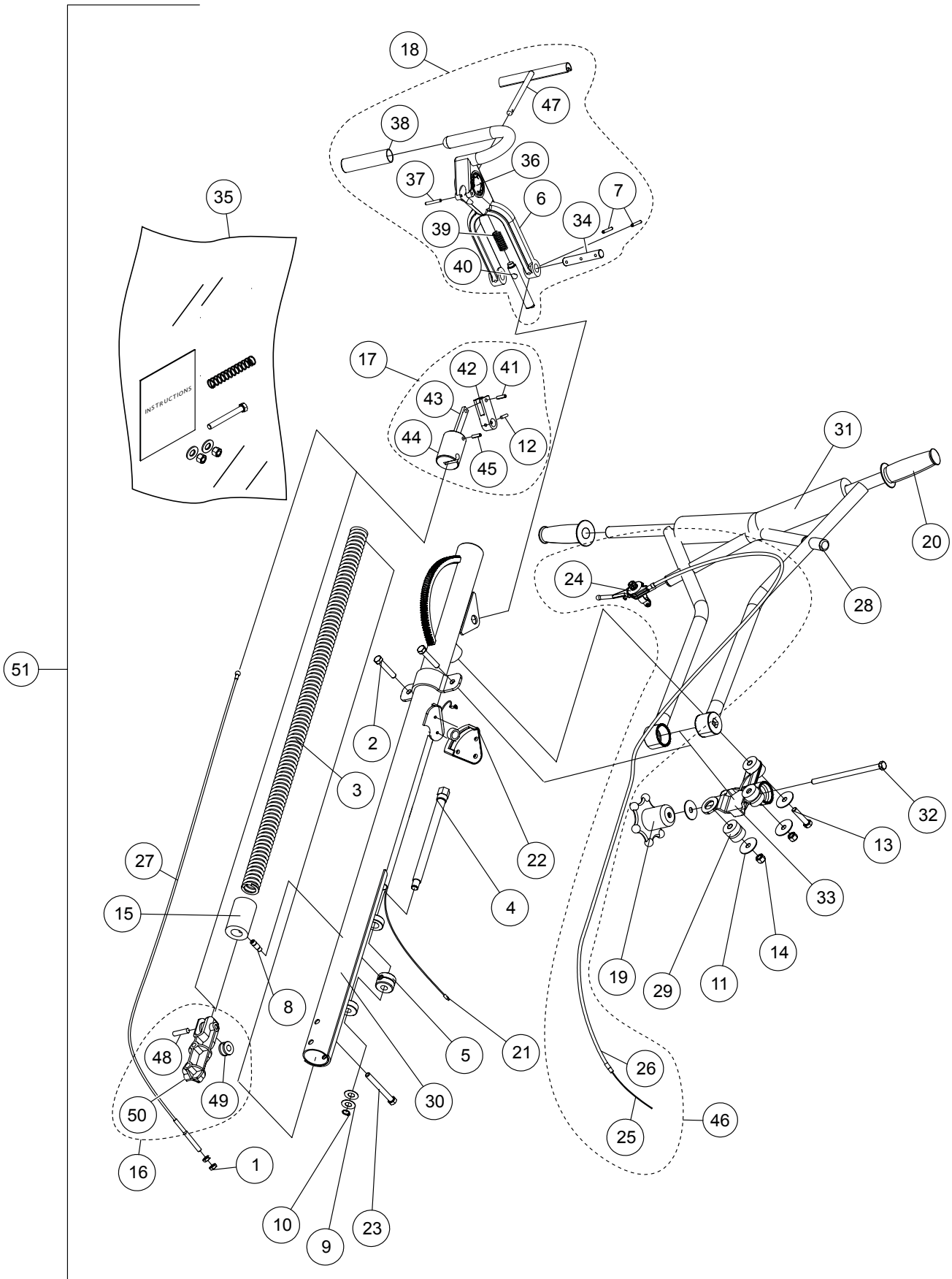
STANDARD HANDLE ASSY.



STANDARD HANDLE ASSY.

<u>NO.</u>	<u>PART NO.</u>	<u>PART NAME</u>	<u>QTY.</u>	<u>REMARKS</u>
1#	0786	SCREW, BHC 1/4-20 X 3/8 NYL PATCH ,NP	2	
2#	0786 A	SPACER, SLIDE BLOCK GUIDE	1	
3#	1116	NUT, BRASS JAM 5/16-18	2	
4#	1665	SCREW, HHC 3/8-16 X 2	1	
5#	3233	WASHER, FENDER, 1.5OD X 3/8ID	4	
6#	9154	SCREW, HHC 3/8-16 X 1 3/4	2	
7#	10133	NUT, NYLOC 3/8-16	2	
8#	20280	BLOCK, PITCH CONTROL	1.....	INCLUDES ITEMS W/\$
9#	20285	CABLE, CONTROL	1	
10#	20287	SLIDE BLOCK, TROWEL CONTROL	1	
11#	20439	WHEEL ASSY. , HAND	1	
12#	20478	GRIP, HANDLE	2	
13#	20514	WIRE ASSY., KILL SWITCH	1	
14#	20819	HAND WHEEL ASSY, PITCH CONTROL.....	1.....	INCLUDES ITEMS W/@
15#	20856	SWITCH ASSY., KILL	1	
16#	21017	SCREW, HHC 3/8-16 x 3.25 FULL THRD GR5	1	
17#%	22732	THROTTLE, BICYCLE FINISHER HANDLES	1	
18#%	21172	CABLE, THROTTLE 68"	1	
19#%	21173	HOUSING, MAGURA THROTTLE CABLES	1	
20#	22055	HANDLE WA, VIBRATION CONTROL	1	
21#	22059	ISOLATOR, VIB. 80 DUROMETER SHORE A	3	
22#	22095	HANDLE, W/A, STOW FIN VIBE CONTROL	1	
23#	22166	COVER,VIBE CONTROL HANDLE PAD	1	
24#	22167	SCREW, HHC 3/8-16 X 6.5" GRADE 5	1	
25#	22206	CHASSIS, CAST VIBRATION ISOLATOR	1.....	REPLACES P/N 22056
26#	22100	KIT, VIBE CTRL. HANDLE INSTALLATION	1	
27#@	20817	WHEEL, HAND J-B HANDLES	1	
28#@	0281	BEARING, THRUST NICE, 607	1	
29#@	3615	COLLAR, SET 3/4 ID	1	
30#@	0122 c	SCREW, SHS 3/8-16 X 1/2	1	
31#@	1478	SHAFT, TROWEL CONTROL	1	
32#	21243	THROTTLE KIT.....	1.....	INCLUDES ITEMS W/%
33#@	20282	BEARING, TROWEL CONTROL	1	
34#\$	A1118	PULLEY, PITCH CABLE HANDLE	1	
35#\$	20279	PIN, SUPPORT BLOCK 3/8 X 1.59	1	
36#\$	20275	BLOCK, SUPPORT	1	
37	22094	HANDLE ASSY, STD. VIBE CONTROL.....	1.....	INCLUDES ITEMS W/#

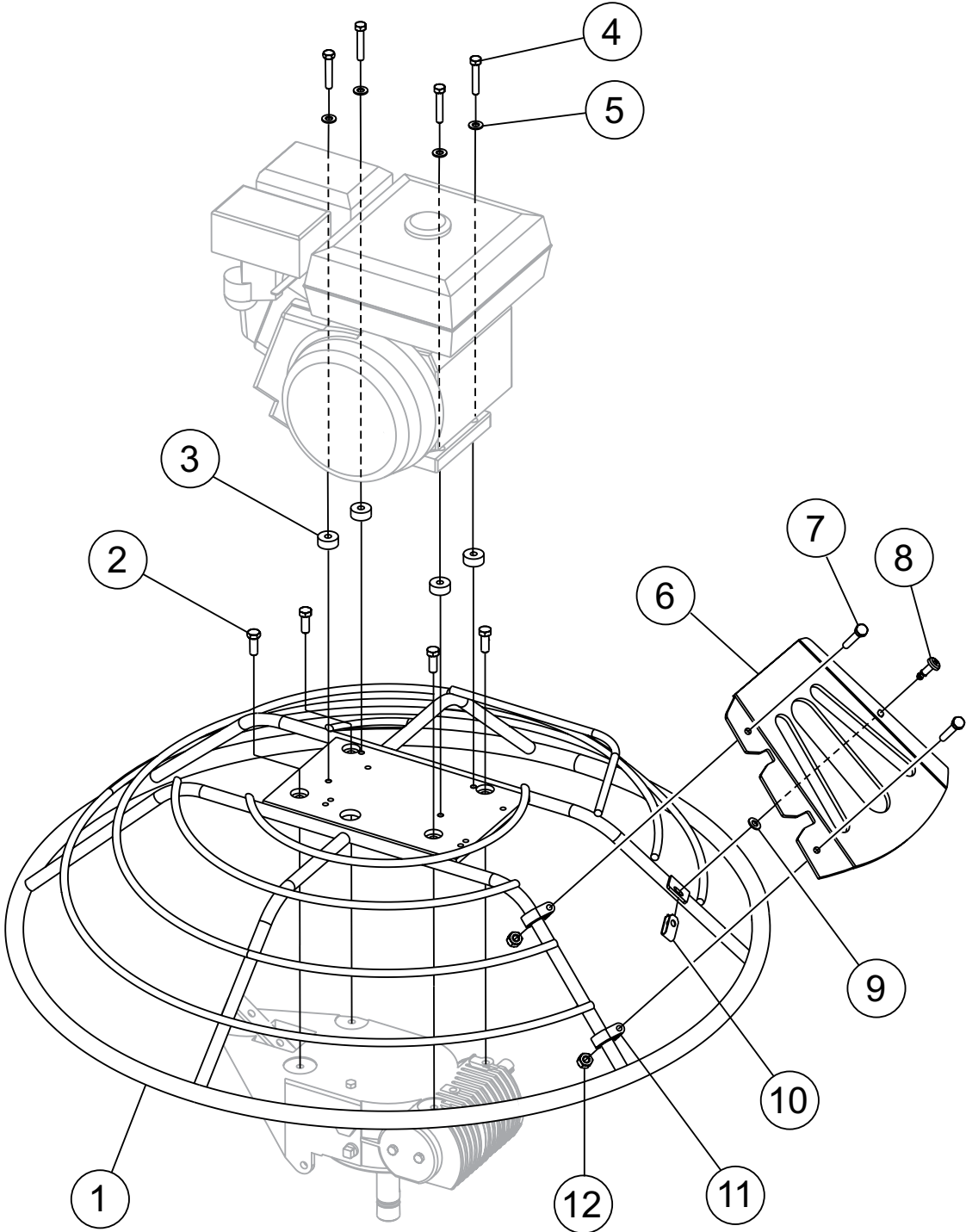
QUICK-PITCH HANDLE ASSY. (OPTION)



QUICK-PITCH HANDLE ASSY. (OPTION)

<u>NO.</u>	<u>PART NO.</u>	<u>PART NAME</u>	<u>QTY.</u>	<u>REMARKS</u>
1#	1116	NUT, BRASS JAM 5/16-18	2	
2#	1665	SCREW, HHC 3/8-16 X 2	2	
3#	1715	Q.P. SPRING CENTER BALANCE	1	
4#	1717	SCREW, QP TRIM ADJUSTMENT W/A	1	
5#	1718	NUT , QP TRIM CNTL ADJUSTMENT	1	
6#\$	20389	HANDLE, QUICK PITCH (QP)	1	
7#\$	1729	PIN, ROLL 3/16 X 1-1/4	2	
8#	1732	Q.P. ADJUSTMENT PIN	1	
9#	1733	WASHER, 1/2 X 1/32, AN960-816L	2	
10#	1737	RING, SNAP, TRUARC 5100-5	1	
11#	3233	WASHER, FENDER, 1.50D X 3/8ID	4	
12#	4568	PIN, ROLL 3/16 X 1	1	
13#	9154	SCREW, HHC 3/8-16 X 1 3/4	1	
14#	10133	NUT, NYLOC 3/8-16	2	
15#	20270	QP ADJUSTMENT BLOCK	1	
16#	20280	BLOCK, PITCH CONTROL	1	INCLUDES ITEMS W/&
17#	20293	LINKAGE QP CONTROL.....	1	INCLUDES ITEMS W/@
18#	20390	TRIGGER, QP ASSEMBLY	1	INCLUDES ITEMS W/\$
19#	20439	WHEEL ASSY. , HAND	1	
20#	20478	GRIP, HANDLE	2	
21#	20514	WIRE ASSY., KILL SWITCH	1	
22#	20856	SWITCH ASSY., KILL	1	
23#	21017	SCREW, HHC 3/8-16 X 3.25 FULL THRD GR5	1	
24#%	21171	THROTTLE, LEVER	1	
25#%	21172	CABLE, THROTTLE 68"	1	
26#%	21173	HOUSING, MAGURA THROTTLE CABLES	1	
27#	20297	CABLE ASM, LENGTH 45", JB, HD & QP	1	
28#	22055	HANDLE WA, VIBRATION CONTROL	1	
29#	22059	ISOLATOR, VIB. 80 DUROMETER SHORE A	3	
30#	22060	MAIN HANDLE WA, QP VIBE CONTROL	1	
31#	22166	COVER, VIBE CONTROL HANDLE PAD	1	
32#	22167	SCREW, HHC 3/8-16 X 6.5" GRADE 5	1	
33#	22206	CHASSIS, CAST VIBRATION ISOLATOR	1	REPLACES P/N 22056
34#\$	1711	SHAFT, CONTROL Q.P.	1	
35#	22100	KIT, VIBE CTRL. HANDLE INSTALLATION	1	
36#\$	12405	DECAL, WHITEMAN QUICK PITCH	2	
37#\$	1729	PIN, ROLL 3/16 X 1-1/4	1	
38#\$	1724	GRIP, HANDLE	1	
39#\$	1706	SPRING, COMPRESSION	1	
40#\$	20437	PIN, QP LATCH	1	
41#@	1731	PIN, ROLL 1/4 X 3/4	1	
42#@	20443	ARM, SLIDE CONTROL	1	
43#@	1709	QP DOGBONE	1	
44#@	20269	BLOCK, CABLE SLIDE	1	
45#@	20276	PIN, ROLL 1/4 X 1-3/4	1	
46#	21243	THROTTLE KIT.....	1	INCLUDES ITEMS W/%
47#\$	A6581	TRIGGER, QP	1	
48#&	20279	PIN, SUPPORT BLOCK 3/8 X 1.59	1	
49#&	A1808	PULLEY, PITCH CABLE HANDLE	1	
50	20275	BLOCK, SUPPORT	1	
51	22061	HANDLE ASSY, HD QP VIBE CONTROL	1	INCLUDES ITEMS W/#

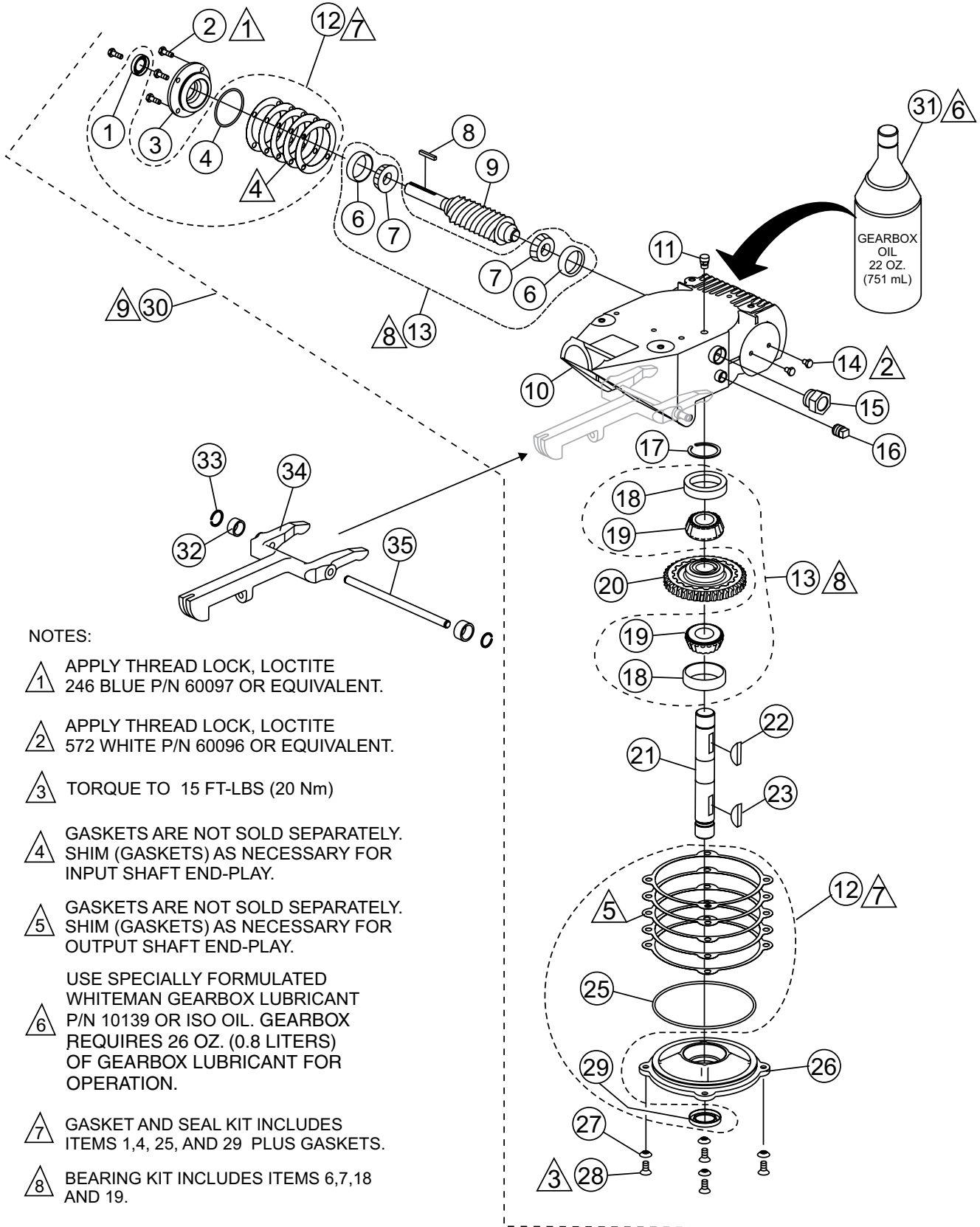
GUARD ASSY.



GUARD ASSY.

<u>NO.</u>	<u>PART NO.</u>	<u>PART NAME</u>	<u>QTY.</u>	<u>REMARKS</u>
1	21965	GUARD RING J36 FINISHER	1	
2	0205	SCREW, HHC 3/8 - 16 X 1.0	4	
3	21996	SPACER, 1.00 OD X .328 ID X .438 THK	4	
4	22024	SCREW, HHC 5/16 - 24 X 1-3/4 GR5 ZINC	4	
5	933241	WASHER, FLAT SAE 5/16 GRD 9YZ	4	
6	21880	ACCESS PANEL, M & J GUARD RING	1	
7	26250	SCREW, HHC 1/4 - 20 X 1-3/4	2	
8	21893	SCREW, FAST LEAD	1	
9	21986	WASHER, FAST LEAD STAINLESS	1	
10	21894	CLIP, FAST LEAD	1	
11	21922	CLAMP, 0.625" ID PIPE	2	
12	10024	NUT, NYLOC 1/4 - 20	2	

GEARBOX ASSY.



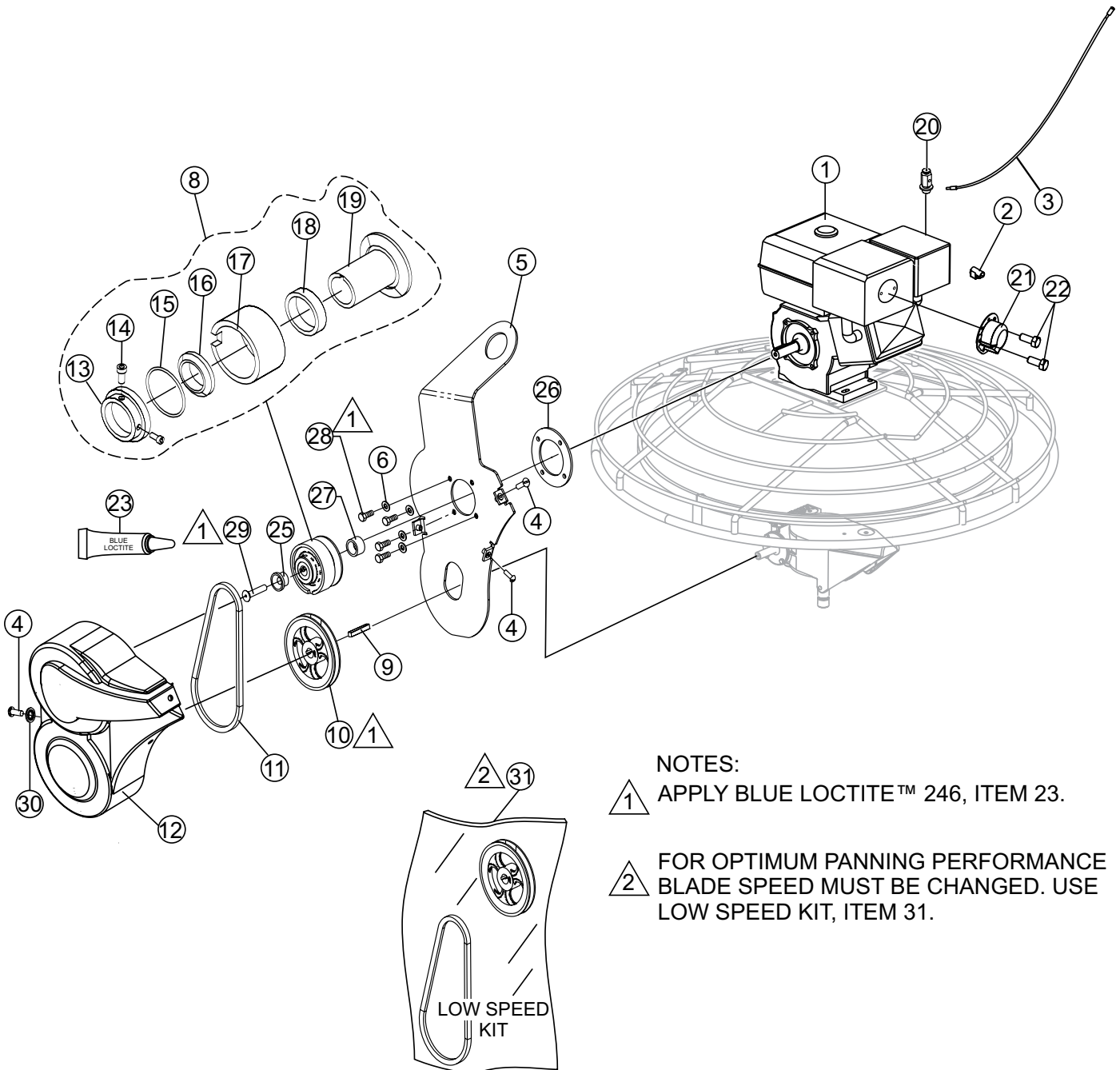
NOTES:

- △1 APPLY THREAD LOCK, LOCTITE 246 BLUE P/N 60097 OR EQUIVALENT.
- △2 APPLY THREAD LOCK, LOCTITE 572 WHITE P/N 60096 OR EQUIVALENT.
- △3 TORQUE TO 15 FT-LBS (20 Nm)
- △4 GASKETS ARE NOT SOLD SEPARATELY. SHIM (GASKETS) AS NECESSARY FOR INPUT SHAFT END-PLAY.
- △5 GASKETS ARE NOT SOLD SEPARATELY. SHIM (GASKETS) AS NECESSARY FOR OUTPUT SHAFT END-PLAY.
- △6 USE SPECIALLY FORMULATED WHITEMAN GEARBOX LUBRICANT P/N 10139 OR ISO OIL. GEARBOX REQUIRES 26 OZ. (0.8 LITERS) OF GEARBOX LUBRICANT FOR OPERATION.
- △7 GASKET AND SEAL KIT INCLUDES ITEMS 1,4, 25, AND 29 PLUS GASKETS.
- △8 BEARING KIT INCLUDES ITEMS 6,7,18 AND 19.
- △9 GEARBOX ASSEMBLY ITEM 30, INCLUDES ITEMS WITHIN DASHED LINE EXCEPT ITEMS 12,13 AND 31

GEARBOX ASSY.

<u>NO.</u>	<u>PART NO.</u>	<u>PART NAME</u>	<u>QTY.</u>	<u>REMARKS</u>
1%\$	0753	SEAL, OIL	1	
2%	0131 A	SCREW, HHC 1/4-20 X 3/4	4	
3%	12876	FLANGE, INPUT SHAFT	1	
4%\$	20395	O-RING, 2" 8032 N	1	
6%#	20466	BEARING, CUP, TIMKEN #M11910	2	
7%#	20465	BEARING, CONE, TIMKEN #LM11949	2	
8%	0627	KEY, SQUARE 3/16 X 1-1/4	1	
9%	1851	GEAR, WORM "B" INPUT SHAFT	1	
10%	12874	CASE, WORM GEAR MACHINED	1	
11%	21218	VENT, AIR	1	
12	21046	GASKET/SEAL KIT.....	1	INCLUDES ITEMS W/ \$
13	21047	BEARING KIT.....	1	INCLUDES ITEMS W/ #
14%	20476	SCREW, HHC 1/4-28 X 3/8	2	
15%	21033	SIGHT GLASS, 3/4 M PIPE STEEL	1	
16%	0121 A	FITTING, PLUG 3/8 MP SQ HEAD	1	
17%	1138	RING, SNAP, TRUARC 5100-112	1	
18%#	20475	BEARING, CUP TIMKEN #M86610	2	
19%#	20474	BEARING, CONE TIMKEN #M86647	2	
20%	1140	GEAR, WORM, COMPOSITE	1	
21%	20470	SHAFT, OUTPUT	1	
22%	1139	KEY, WOODRUFF #810	1	
23%	1238	KEY, WOODRUFF #25	1	
25%\$	20396	O-RING, 254 BUNA N	1	
26%	12875	COVER, GEARBOX	1	
27%	10235	WASHER, C/S EXT. SHKP	4	
28%	20875	SCREW, FHSC 5/16-18 X 3/4	4	
29%\$	0254	SEAL, OIL	1	
30	20407	GEARBOX ASSY.	1	INCLUDES ITEMS W/ %
31	10139	GEARBOX OIL ISO 680, 22 OZ. (650 ML)	2	
32	22292	SPACER, 1/2 X .406 X 1/4 UNTREATED	2	
33	20802	RING, SNAP TRUARC 5100-37	2	
34	1150	YOKE ARM	1	
35	20801	PIN, YOKE	1	

ENGINE ASSY.



NOTES:

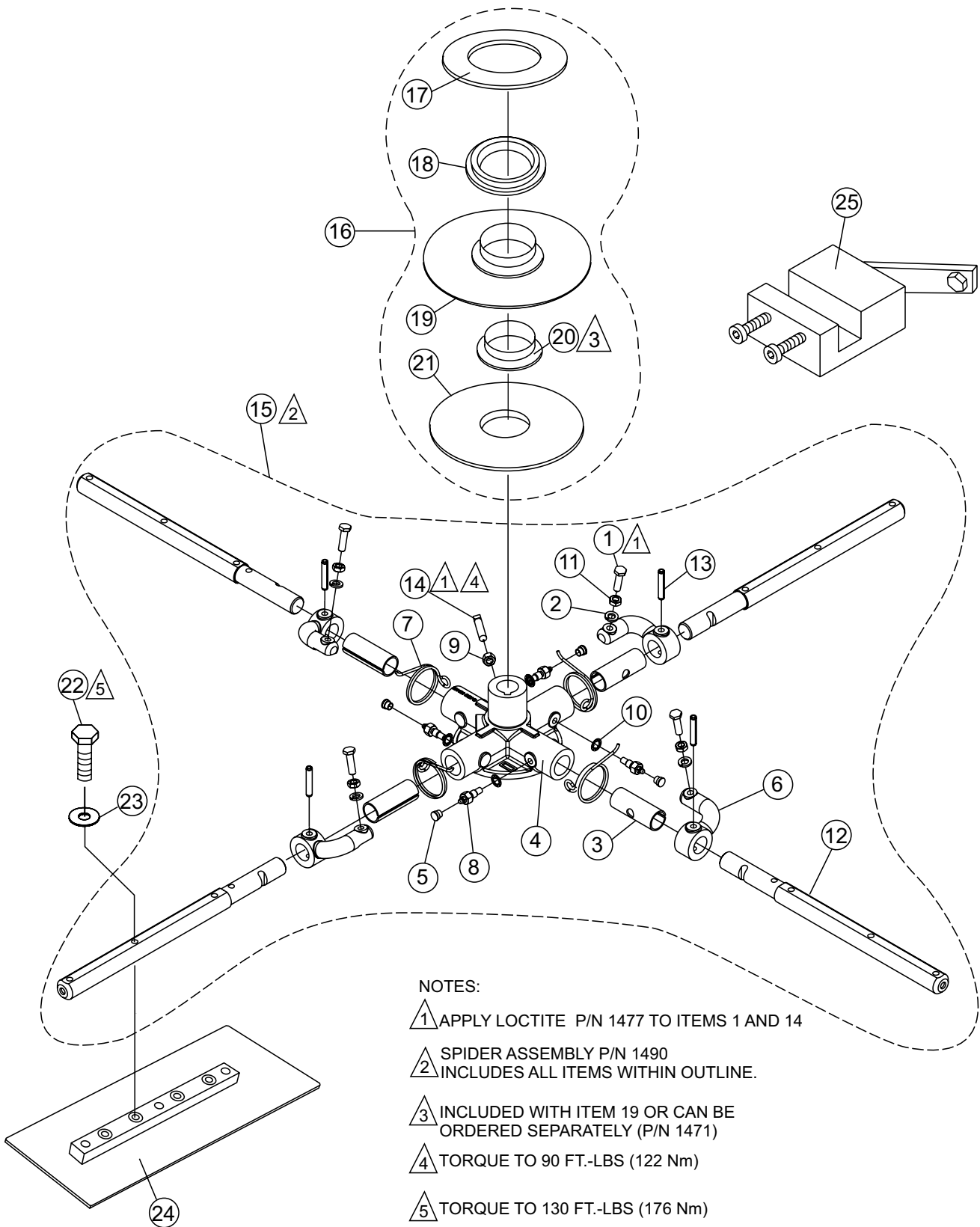
1 APPLY BLUE LOCTITE™ 246, ITEM 23.

2 FOR OPTIMUM PANNING PERFORMANCE
BLADE SPEED MUST BE CHANGED. USE
LOW SPEED KIT, ITEM 31.

ENGINE ASSY.

<u>NO.</u>	<u>PART NO.</u>	<u>PART NAME</u>	<u>QTY.</u>	<u>REMARKS</u>
1	22995	ENGINE, SUBARU 5.7	1	
2	1475	CONNECTOR, SPLICE TAP	1	
3	1488	WIRE, SAFETY SWITCH	1	
4	12287	SCREW, THP 1/4- 20 X 3/4 SS	3	
5	21988	LIFTING BALE ASSEMBLY J FIN	1	
6	933241	WASHER, FLAT SAE 5/16 RD 9 YZ	4	
8	0255	CLUTCH ASSY. 3/4" CENTRIFUGAL, 5.5 HP ...	1	INCLUDES ITEMS W/@
9	0627	KEY, SQ 3/16 X 1-1/4	1	
10	21994	PULLEY AK-59 X 3/4, 60-130 RPM	1	
10%	21140	PULLEY AK-54 X 3/4	1	FLOAT PANS ONLY
11%	0152 3	V-BELT A28	1	
12	21970	BELT GUARD	1	
13@#	0253	CLUTCH PLATE	1	
14@#	1868	SCREW, SHS 3/8-24 X 3/4, NP	2	
15@#	0855	SPRING, CLUTCH .156 X 5.375 X .025	1	
16@#	B1766	WEIGHT, AUTOMATIC CLUTCH	4	
17@#	0251	DRUM, CENTRIFUGAL CLUTCH	1	
18@#	0456	BEARING, SHIELDED 6007 ZZ E	1	
19@	21307	CLUTCH SPINDLE 3/4" BORE	1	
20	20845	SWIVEL ASSEMBLY	1	
21	1834	DEFLECTOR	1	
22	1273	SCREW, HHST 8-32 X 3/8	1	
23	60097	LOCTITE™ #246, BLUE	1	
25	1406	PLUG, END (CLUTCH)	1	
26	21915	SPACER PLATE, LIFTING BAIL	1	
27	21679	SPACER, 1 X .78 X .69L	1	
28	10229	SCREW, HHC 5/16-24 X 1	4	
29	21678	SCREW, FHSC 5/16-24 X 1-3/4	1	
30	0300 B	WASHER, FLAT SAE 5/16	1	

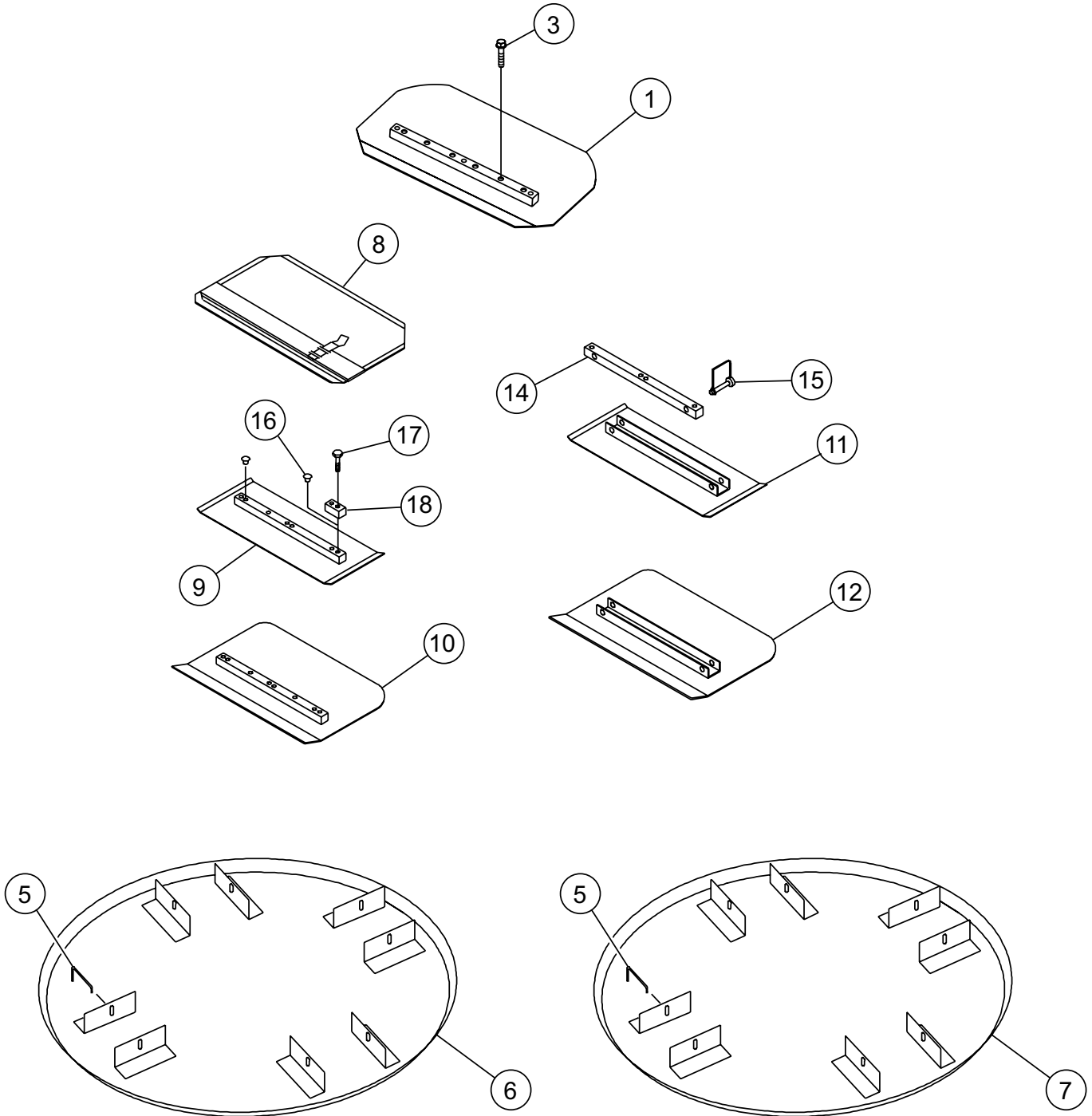
SPIDER ASSY.



SPIDER ASSY.

<u>NO.</u>	<u>PART NO.</u>	<u>PART NAME</u>	<u>QTY.</u>	<u>REMARKS</u>
1%	0164 B	RADIUS HEAD 3/8-16, FULL THREAD	4	
2%	0166 A	LOCK WASHER 3/8 MED	4	
3%	1157 A	BUSHING, TROWEL ARM	4	
4%	1161	SPIDER PLATE	1	
5%	1162 A	CAP, GREASE ZERK #2 YELLOW	4	
6%	1163	LEVER, TROWEL ARM RIGHT HAND	4	
7%	1316	SPRING, LS ARM RETURN	4	
8%	1322	RETAINING SCREW ASSY.	4	
9%	1456	NUT, HEX FINISH 3/8-16	1	
10%	1875	WASHER, INT. SHKP. 3/8"	4	
11%	1876	NUT, HEX JAM 3/8 - 16 CLASS 2B	4	
12%	2826	ARM, J FINISHER, EXTENDED	4	
13%	4164	ROLL PIN 5/16 x 1-3/4"	4	
14%	12097	SCREW, SQHS 3/8 -16 X 1-3/4 CONE GRD 8	1	
15	1215	SPIDER PLATE ASSY.,	1	INCLUDES ITEMS W/%
16	10968	THRUST BEARING KIT	1	INCLUDES ITEMS W/\$
17\$	12208	WEAR RING	1	
18\$	12778	FLANGE BEARING	1	
19\$	10793	THRUST COLLAR	1	INCLUDES ITEMS W/#
20\$#	1471	THRUST COLLAR BUSHING	1	
21\$	1154 A	WEAR PLATE	1	
22	1207	SCREW, HHCS 5/16-18 X 1-3/4"	12	
23	0161 C	WASHER, LOCK 5/16"	12	
24	C844	BLADE ASSEMBLY	4	
25	1817	TOOL, TROWEL ARM ADJUST. FIXTURE	1	

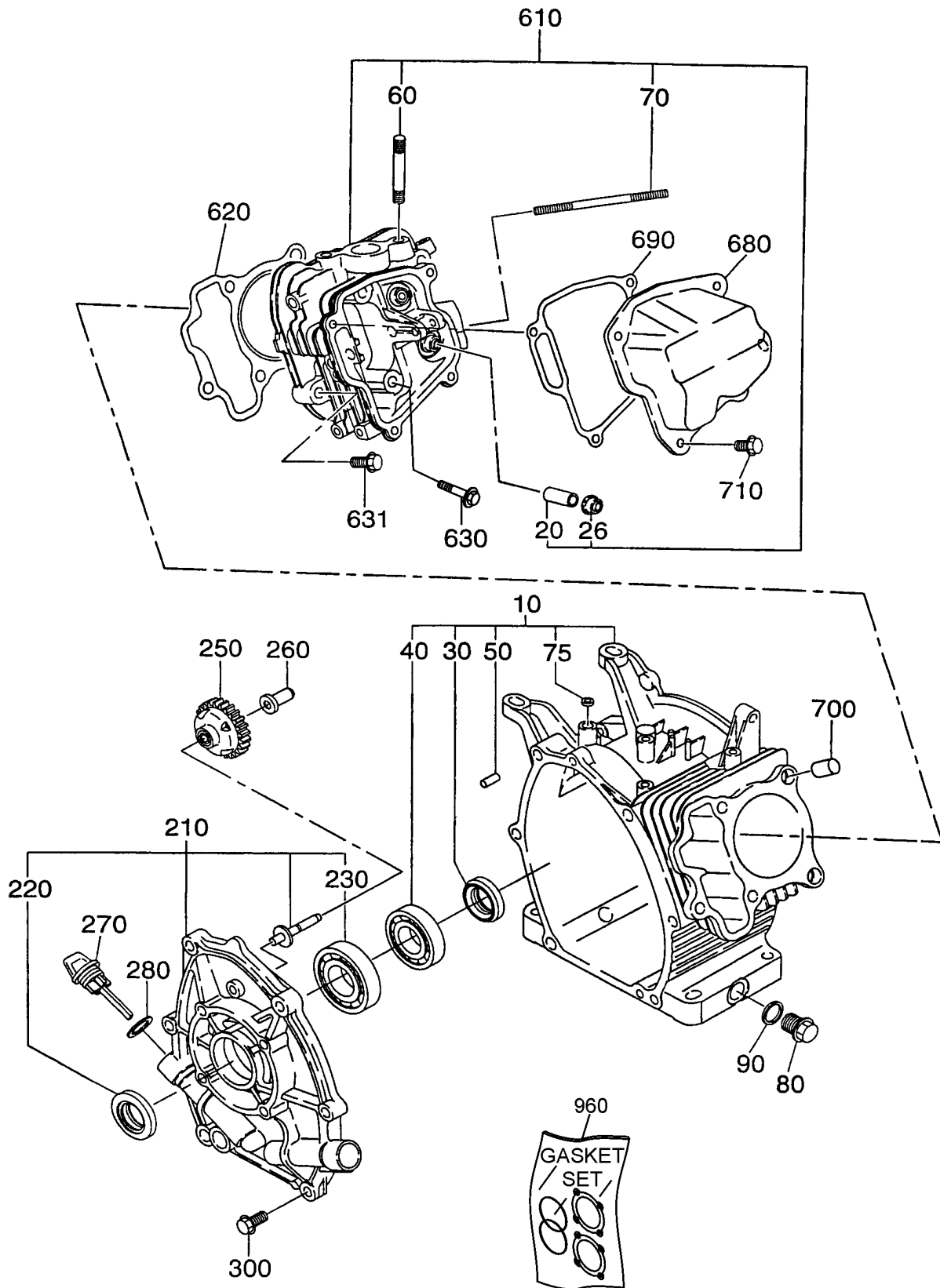
BLADE ASSY.



BLADE ASSY.

<u>NO.</u>	<u>PART NO.</u>	<u>PART NAME</u>	<u>QTY.</u>	<u>REMARKS</u>
1	C844	TROWEL BLADE, 8X14, COMBO	4	
2	F900	TROWEL BLADE, 8X14, FINISH	4	
3	21906	SCREW, HHFS 5/16 - 18 X 1-1/2 GR5.....	8.....	ALL BLADES
5	20646	FLOAT DISC LATCH PIN	4	
6	2870	FLOAT PAN, 36-INCH	1	
7	11032	FLOAT PAN, 36-INCH SUPER FLAT	1	
8	CL945	FLOAT BLADE, 10X14 CLIP-ON	4	
9	F10900	ENDURO FINISH BLADE 6X14	4	
10	C10844	ENDURO COMBO BLADE 8X14	4	
11	QF1872	QUICK CHANGE BLADE, 6X14	4	
11	QF10872	ENDURO QUICK CH.FINISH BLADE, 6X14	4	
12	QC1871	QUICK CHANGE COMBO BLADE, 8X14	4	
12	QC10871	ENDURO QK CHNG.COMBO BLADE, 8X14	4	
14	QB1857	UNIVERSAL MOUNTING BAR	4	
15	QS1869	SNAP PIN 1/4"X1-3/4"	8	
16	1434	TROWEL LUG (FINISH BLADE ONLY)	4	
17	0202	SCREW, HHCS 5/16-18X1" RING	4	
18	0201	GUARD RING LUG	4	

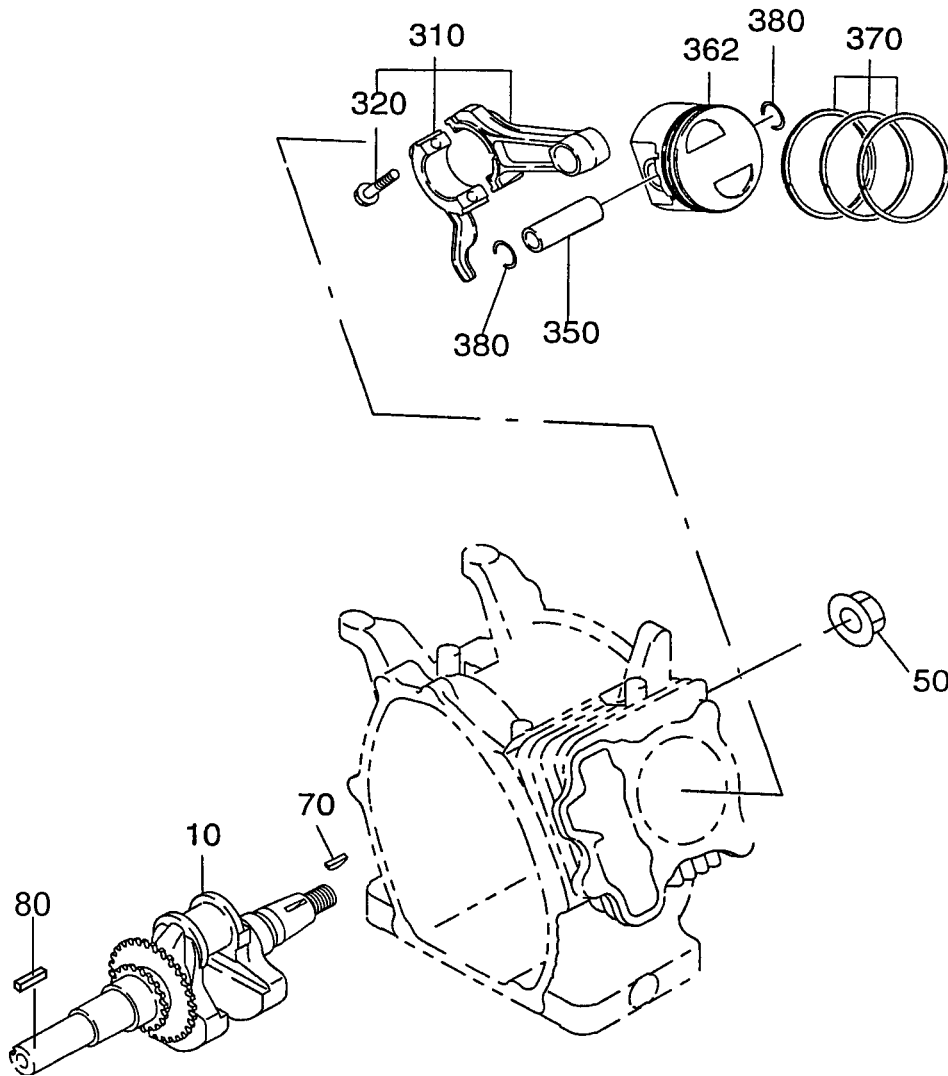
EX17 — CRANKCASE ASSY.



EX17 — CRANKCASE ASSY.

<u>NO.</u>	<u>PART NO.</u>	<u>PART NAME</u>	<u>QTY.</u>	<u>REMARKS</u>
10	20A1010601	CRANK CASE CP	1.....	INCLUDES ITEMS W/\$
20#	20A1420103	VALVE GUIDE	2	
26#	20A1601001	STEM SEAL	1	
30\$	20A0480100	OIL SEAL	1	
40\$	20A0610100	BALL BEARING	1	
50\$	20A1501103	PIPE KNOCK	2	
60#	20A0161100	STUD	1	
70#	20A0160100	STUD	2	
75\$	20A0480200	OIL SEAL	1	
80	20A0410100	PLUG	1	
90@	20A0220100	GASKET	2	
210	20A1100201	MAIN BEARING COVER C	1.....	INCLUDES ITEMS W/%
220%	20A0480300	OIL SEAL	1	
230%	20A0610200	BALL BEARING	1	
250	20A4500401	GOVERNOR GEAR CP	1	
260	20A4190103	GOVERNOR SLEEVE	1	
270	20A6360103	OIL GAUGE	2	
280@	20A0230100	GASKET	2	
300	20A0110100	FLANGE BOLT	6	
610	20A1300101	CYLINDER HEAD CP	1.....	INCLUDES ITEMS W/#
620@	20A1500103	GASKET (HEAD)	1	
630	20A0110200	FLANGE BOLT	4	
631	20A0110300	FLANGE BOLT	1	
680	20A1550501	ROCKER COVER CP	1	
690@	20A1600113	GASKET (ROCKER COVER)	1	
700	20A1501103	PIPE KNOCK	2	
710	20A0111100	FLANGE BOLT	4	
960	2779900127	GASKET SET	1.....	INCLUDES ITEMS W/@ ANDITEM 340 MUFFLER ASSY.

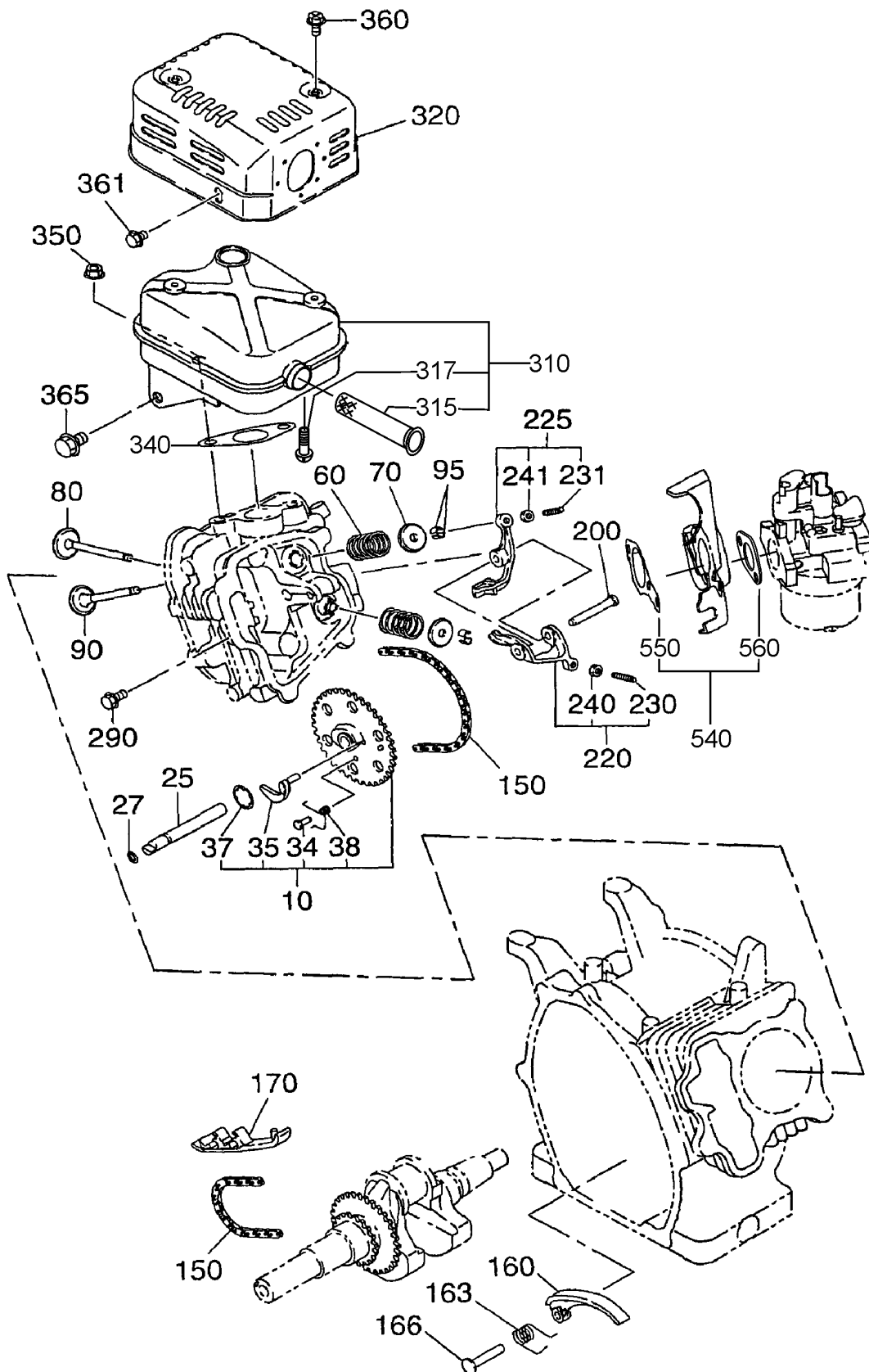
EX17 — CRANKSHAFT ASSY.



EX17 — CRANKSHAFT ASSY.

<u>NO.</u>	<u>PART NO.</u>	<u>PART NAME</u>	<u>QTY.</u>	<u>REMARKS</u>
10	20A2090201	CRANKSHAFT CP	1	
50	20A0185300	FLANGE NUT	1	
70	20A0360100	WOODRUFF KEY	1	
80	20A0361200	KEY	1	
310	20A2250110	CONNECTING ROD ASSY.....	1.....	INCLUDES ITEMS W/#
320#	20A2300103	CONNECTING ROD BOLT	2	
350	20A2330103	PISTON PIN	1	
362	20A2340103	PISTON	1	
370		PISTON RING SET	1	
380	20A0320100	CLIP	2	

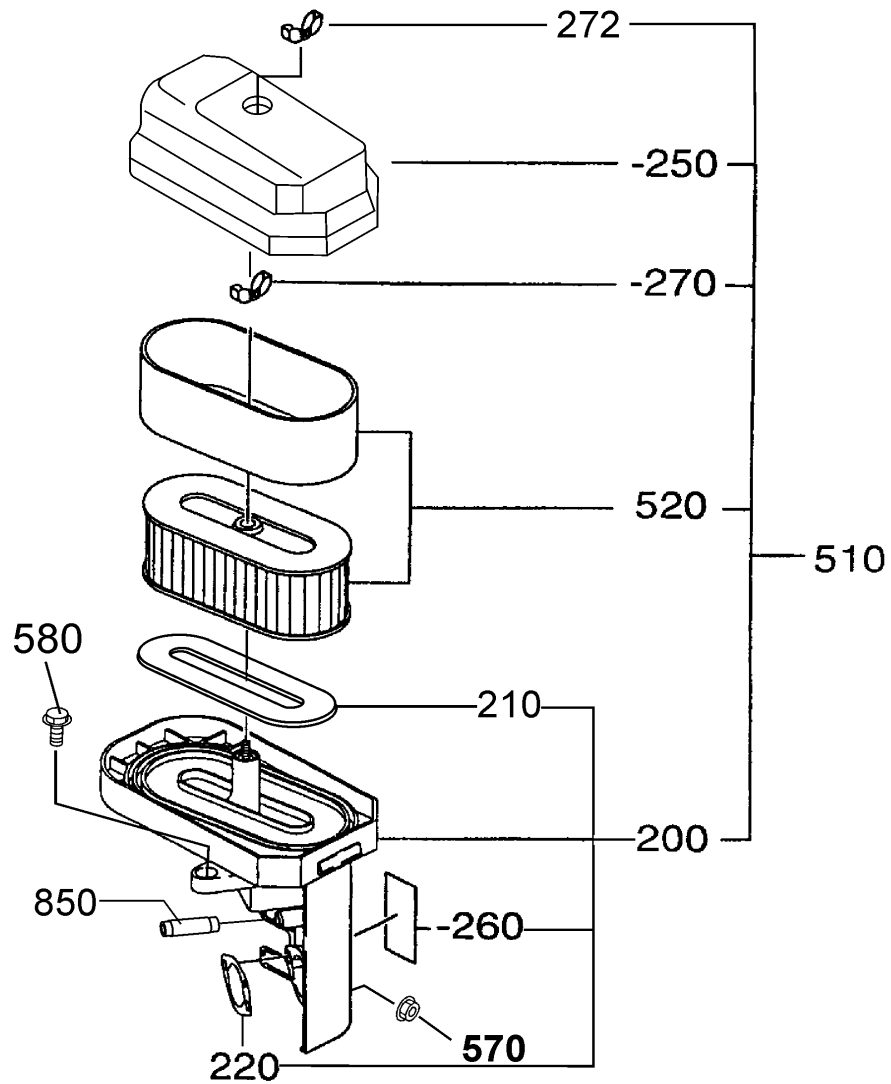
EX17 — MUFFLER ASSY.



EX17 — MUFFLER ASSY.

<u>NO.</u>	<u>PART NO.</u>	<u>PART NAME</u>	<u>QTY.</u>	<u>REMARKS</u>
10	20A3160101	CAM SHAFT CP	1.....	INCLUDES ITEMS W/%
25	20A3510103	PIN (CAM SHAFT)	1	
27	20A0280100	O-RING	1	
34%	20A3860103	PIN (SPRING)	1	
35%	20A3640103	RELEASE LEVER	1	
37%	20A3650103	CLIP	1	
38%	20A3870203	RETURN SPRING	1	
60	20A3360103	VALVE SPRING	2	
70	20A3370103	SPRING RETAINER	2	
80	20A3340103	INTAKE VALVE	1	
90	20A3360103	EXHAUST VALVE	1	
95	20A3380103	COLLET-VALVE	4	
150	20A3560101	TIMING CHAIN CP	1	
160	20A3691103	TENTIONER	1	
163	20A3710103	SPRING (TENTIONER)	1	
166	20A3690203	PIN (TENTIONER)	1	
170	20A3691303	CHAIN GUIDE	1	
200	20A3500201	PIN (ROCKER) CP	1	
202	20A0321100	CLIP	1	
220	20A3620100	ROCKER ARM (IN) ASSY.....	1.....	INCLUDES ITEMS W/#
225	20A3620200	ROCKER ARM (EX) ASSY.....	1.....	INCLUDES ITEMS W/@
230#	20A0140100	ADJUST SCREW	1	
231@	20A140100	ADJUST SCREW	1	
240#	20A0180100	NUT	1	
241@	20A0180100	NUT	1	
290	20A0111100	FLANGE BOLT	1	
310	20A3011101	MUFFLER CP	1.....	INCLUDES ITEMS W/+
315+	20A3760101	SPARK ARRESTER CP	1	
317+	20A0140200	TAPPING SCREW	1	
320	20A3420101	MUFFLER COVER CP	1	
340	20A3520103	GASKET (MUFFLER)	1	
350	20A0185100	FLANGE NUT	2	
360	20A0120100	TAPPING BOLT	2	
361	20A0111200	FLANGE BOLT	1	
365	20A0110400	FLANGE BOLT	1	
387	20A0140200	TAPPING SCREW	2	
440	20A3700101	DEFLECTOR CP	1	
540	20A3290203	INSULATOR CP	1.....	INCLUDES ITEMS W/\$
550\$	20A3590303	GASKET 2 (INSULATOR)	1	
560\$	20A3590203	GASKET 1 (INSULATOR)	1	

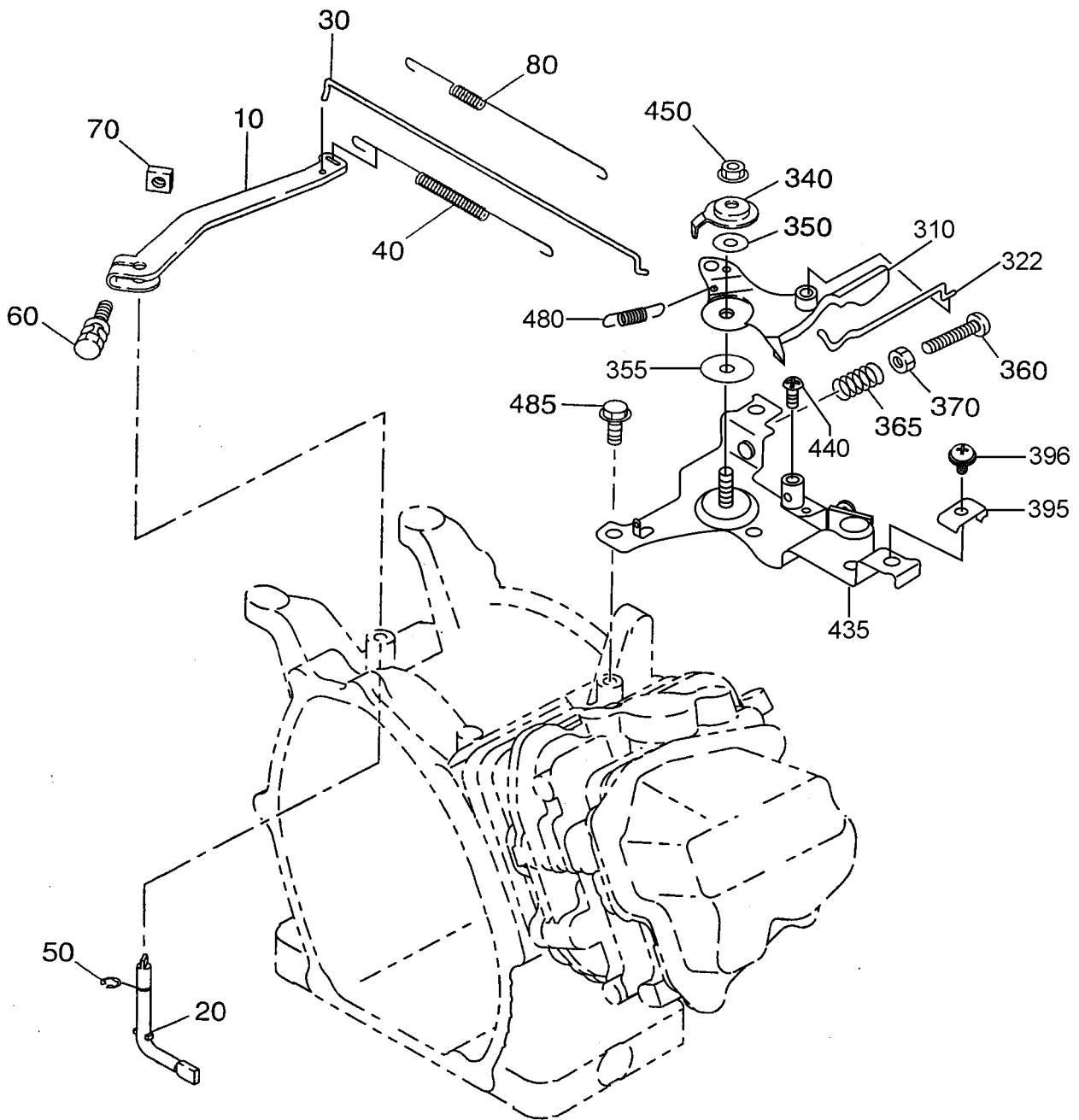
EX17 — AIR CLEANER ASSY.



EX17 — AIR CLEANER ASSY.

<u>NO.</u>	<u>PART NO.</u>	<u>PART NAME</u>	<u>QTY.</u>	<u>REMARKS</u>
510#	20A3273100	AIR CLEANER ASSY.	1.....	INCLUDES ITEMS W/#
510-200#	20A3280202	BASE CP	1.....	INCLUDES ITEMS W/%
510-210#%	2773261008	PACKING	1	
510-220#%	2773260408	PACKING	1	
510-250#	20A3280103	COVER CP	1	
510-260#%	20A3261503	LABEL	1	
510-270#	2773274118	WING NUT	1	
510-272#	2773260708	WING NUT	1	
510-520#	20A3263603	ELEMENT SET	1	
570	20A0185200	FLANGE NUT	2	
580	20A0111300	FLANGE BOLT	1	
850	20A0811100	BREATHER PIPE	1	

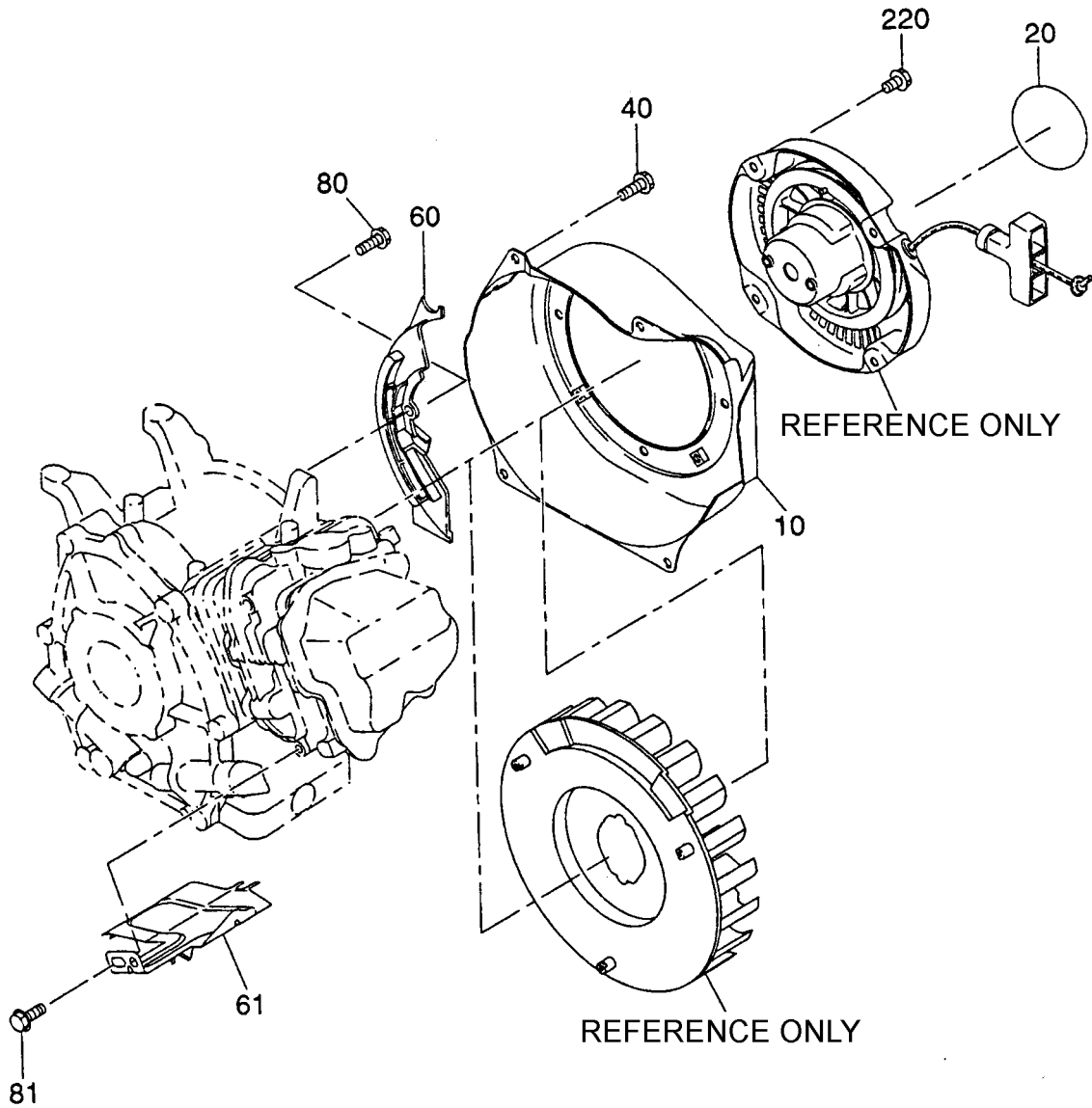
EX17 — GOVERNOR ASSY.



EX17 — GOVERNOR ASSY.

<u>NO.</u>	<u>PART NO.</u>	<u>PART NAME</u>	<u>QTY.</u>	<u>REMARKS</u>
10	20A4230103	GOVERNOR LEVER	1	
20	20A4220103	GOVERNOR SHAFT	1	
30	20A4270101	GOVERNOR ROD CP	1	
40	20A4280103	ROD SPRING	1	
50	20A0321100	CLIP	1	
60	20A0130110	BOLT AND WASHER AY	1	
70	20A0190100	NUT	1	
80	20A4251003	GOVERNOR SPRING	1	
310	20A4330301	SPEED CONT. LEVER CP	1	
322	20A4370101	LINK ROD CP	1	
340	20A4350203	STOP PLATE	1	
350	20A4680103	WASHER	1	
355	20A0230600	FRICTION WASHER	1	
360	20A0140400	SCREW	1	
365	20A4501103	SPRING (ADJUST)	1	
395	20A4390203	CLAMP	1	
396	20A0151100	SCREW AND WASHER AY	1	
435	20A4600301	SPEED CONT. BRKT CP	1	
440	20A0141100	SCREW	1	
450	20A0191100	SELF LOCK NUT	1	
480	20A4510301	RETURN SPRING	1	
485	20A0111100	FLANGE BOLT	2	

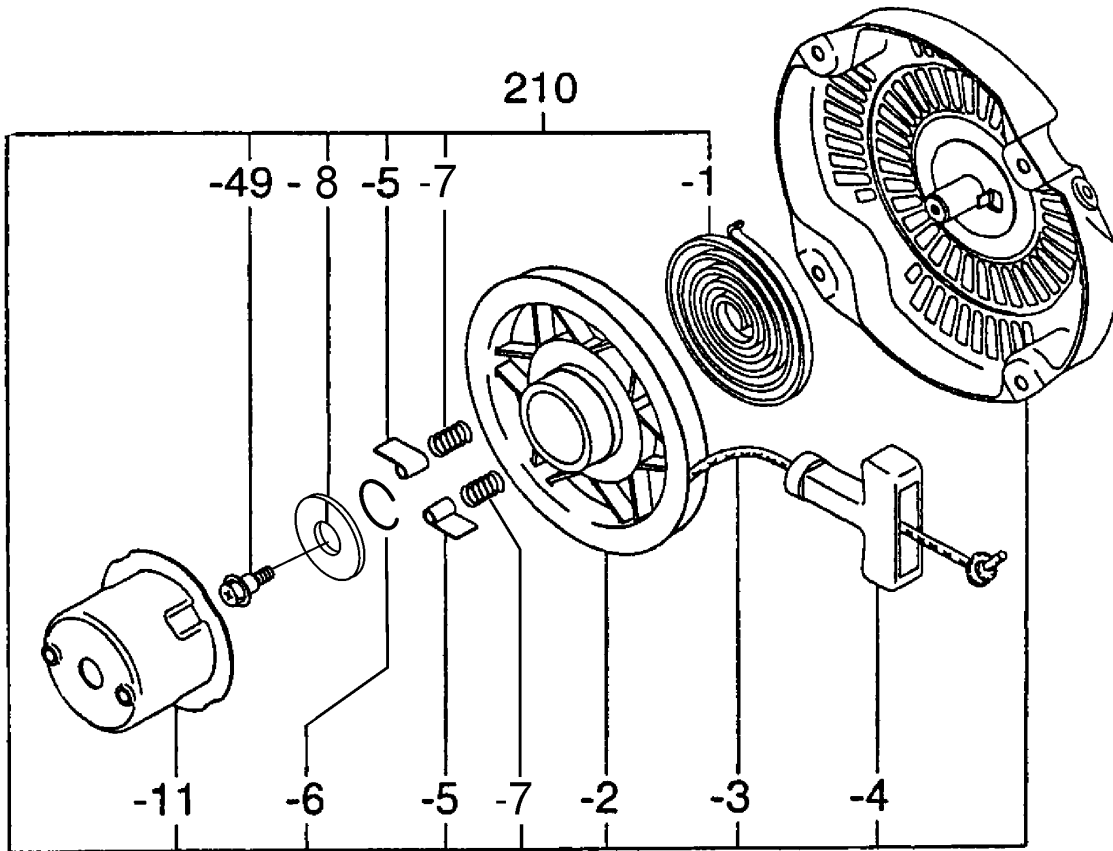
EX17 — BLOWER ASSY.



EX17 — BLOWER ASSY.

<u>NO.</u>	<u>PART NO.</u>	<u>PART NAME</u>	<u>QTY.</u>	<u>REMARKS</u>
10	20A5120101	BLOWER HOUSING CP	1	
20	0732005820	LABEL (TRADE MARK)	1	
40	20A0111400	FLANGE BOLT	4	
60	20A5271101	BAFFLE 1 (CASE) CP	1	
61	20A5270203	BAFFLE 2 (HEAD)	1	
80	20A0111500	FLANGE BOLT	1	
81	20A0111100	FLANGE BOLT	1	
220	20A0111400	FLANGE BOLT	4	

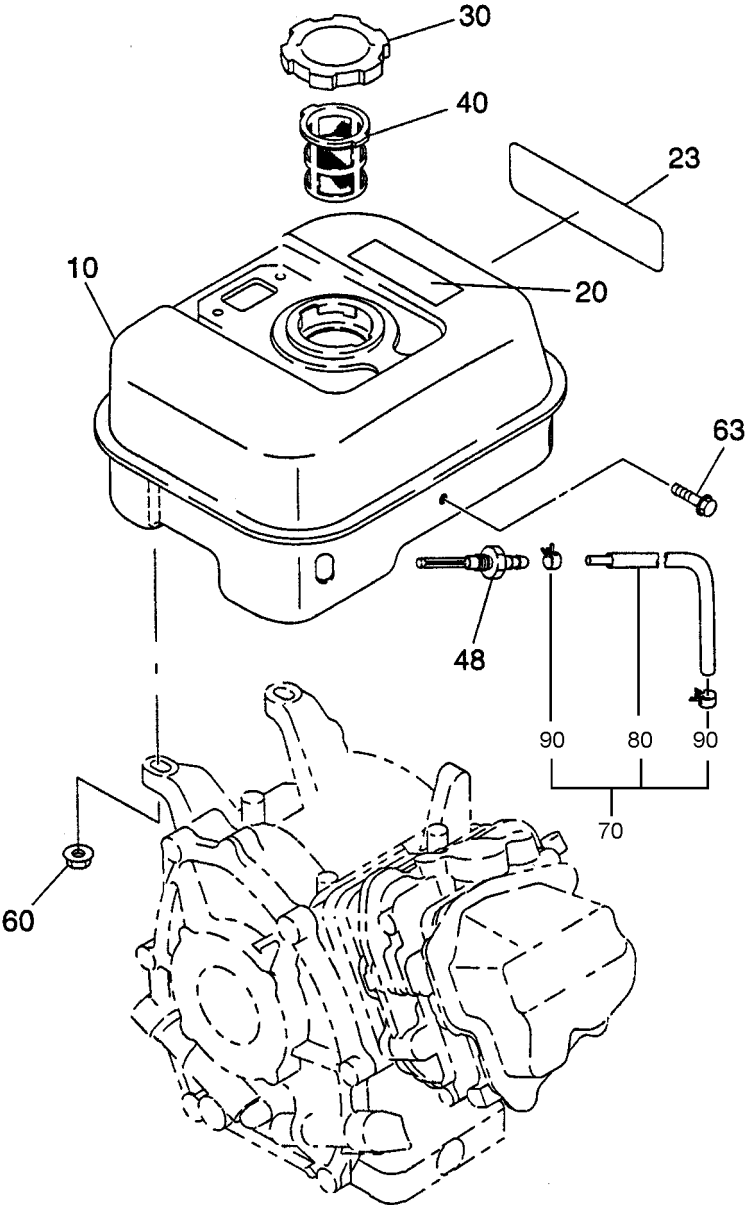
EX17 — RECOIL STARTER ASSY.



EX17 — RECOIL STARTER ASSY.

<u>NO.</u>	<u>PART NO.</u>	<u>PART NAME</u>	<u>QTY.</u>	<u>REMARKS</u>
210	20A5020130	RECOIL STARTER ASSY.	1.....	INCLUDES ITEMS W/#
210-1#	2705011508	SPIRAL SPRING	1	
210-2#	2695012008	REEL	1	
210-3#	2825011118	STARTER ROPE	1	
210-4#	2615010008	STARTER KNOB	1	
210-5#	2705012508	RATCHET	2	
210-6#	2275013108	FRICTION SPRING	1	
210-7#	2275013508	RETURN SPRING	2	
210-8#	2705026108	RATCHET GUIDE	1	
210-11#	20A5021133	STARTER PULLEY	1	
210-49#	2275015208	SET SCREW	1	

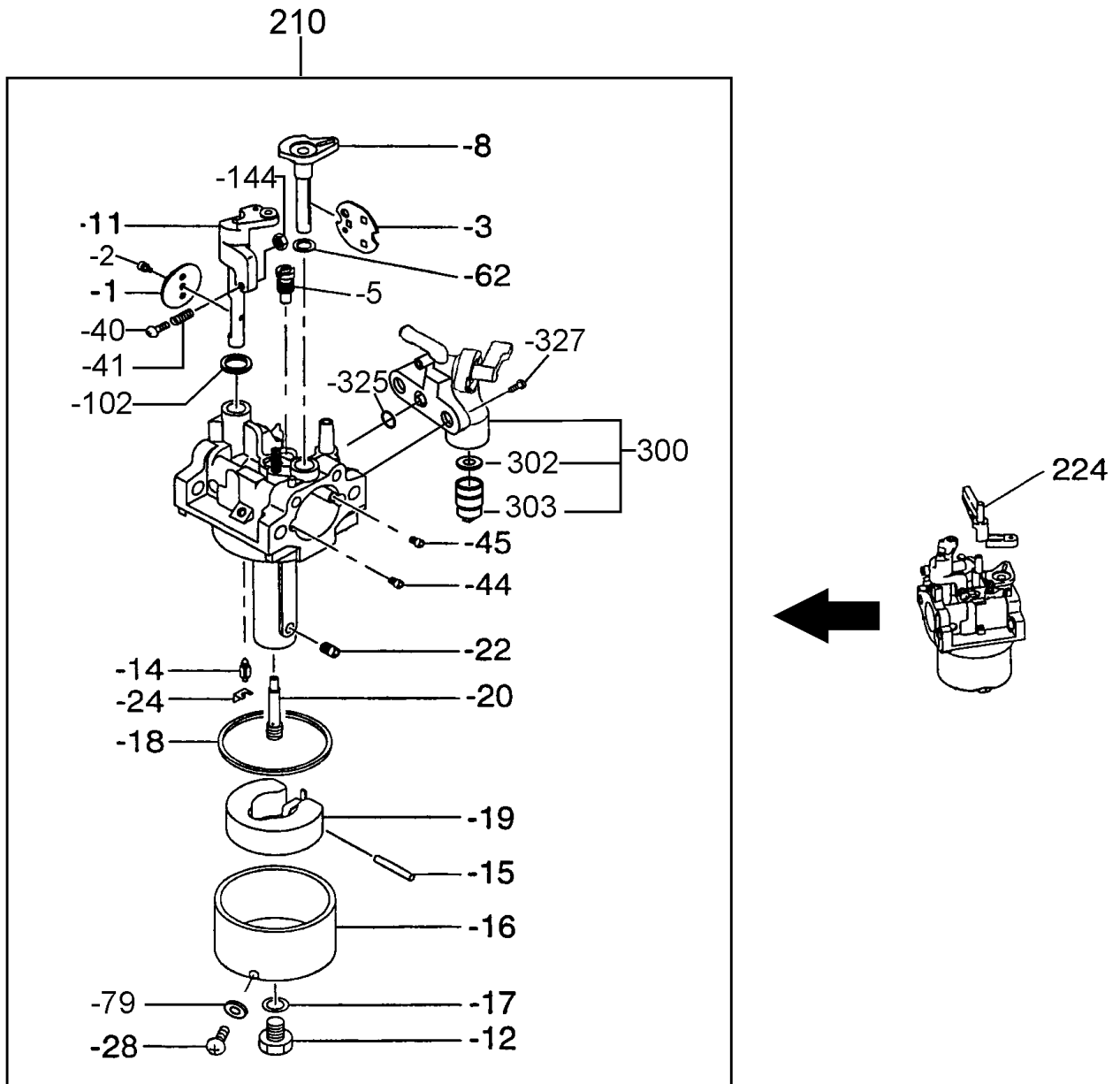
EX17 — FUEL TANK ASSY.



EX17 — FUEL TANK ASSY.

<u>NO.</u>	<u>PART NO.</u>	<u>PART NAME</u>	<u>QTY.</u>	<u>REMARKS</u>
10	20A6110201	FUEL TANK CP	1	
20	0732005760	LABEL (WARNING)	1	
23	2779511203	LABEL (MODEL)	1	
30	X430440142	FUEL TANK CAP CP	1	
40	20A0640100	FUEL FILTER	1	
48	20A0640200	UNION	1	
60	20A0185200	FLANGE NUT	2	
63	20A0111600	FLANGE BOLT	1	
70	20A6260501	FUEL PIPE CP	1.....	INCLUDES ITEMS W/\$
80\$	20A0810100	RUBBER PIPE	1	
90\$	20A0580100	HOSE CLAMP	2	

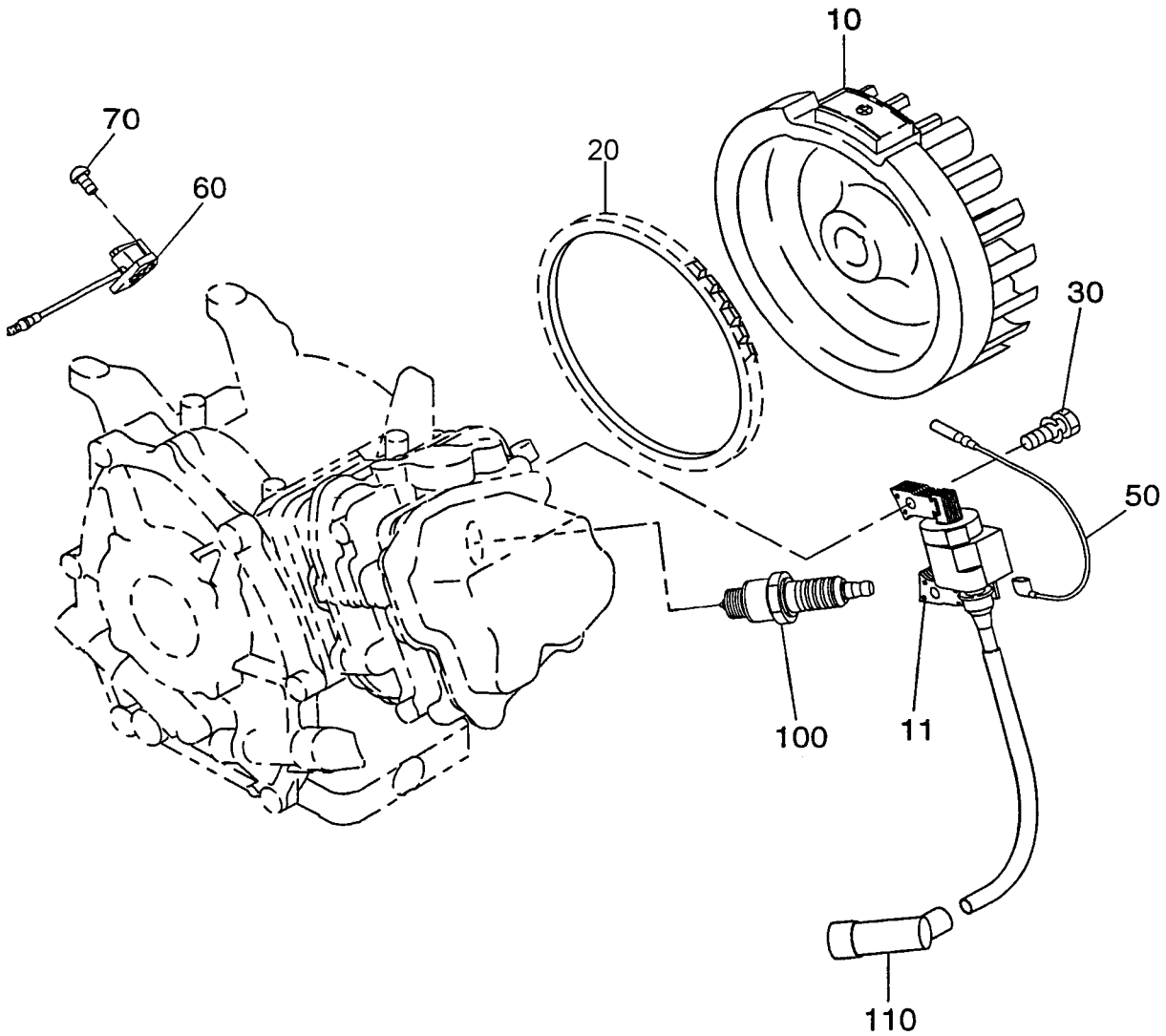
EX17 — CARBURETOR ASSY.



EX17 — CARBURETOR ASSY.

NO.	PART NO.	PART NAME	QTY.	REMARKS
210	20A6230240	CARBURETOR ASSY.	1	INCLUDES ITEMS W/#
210-1#	2776253508	THROTTLE VALVE	1	
210-2#	2096235108	SCREW	1	
210-3#	2776252508	CHOKE VALVE	1	
210-5#	2466242008	PILOT JET	1	
210-8#	2776252008	CHOKE LEVER	1	
210-11#	2776253118	THROTTLE SHAFT-A	1	
210-12#	2276245108	BOLT	1	
210-14#	2776250008	NEEDLE	1	
210-15#	2776251508	PIN	1	
210-16#	2776250608	FLOAT BODY AY	1	
210-17#	2146245008	PACKING	1	
210-18#	2146254008	CHAMBER PACKING	1	
210-19#	2266250608	FLOAT	1	
210-20#	2776244008	MAIN NOZZLE	1	
210-22#	2266241208	MAIN JET	1	
210-24#	2266270118	CLIP	1	
210-28#	2776236008	BOLT	1	
210-40#	1066255608	SCREW	1	
210-41#	2836235708	SPRING	1	
210-44#	2486241008	AIR JET	1	
210-45#	1066241008	AIR JET (PILOT)	1	
210-62#	2366268008	SEAL	1	
210-79#	2366254108	PACKING	1	
210-102#	2466239008	SEAL	1	
210-144#	2776255308	NUT	1	
210-300#	20A6210200	FUEL STRAINER ASSY.....	1	INCLUDES ITEMS W/\$
210-302#\$	2776211018	PACKING	1	
210-303#\$	2776210018	CUP	1	
210-325#	2776255208	O-RING	1	
210-327#	1656237708	SCREW	2	
224	20A4380101	CHOKE LEVER CP	1	

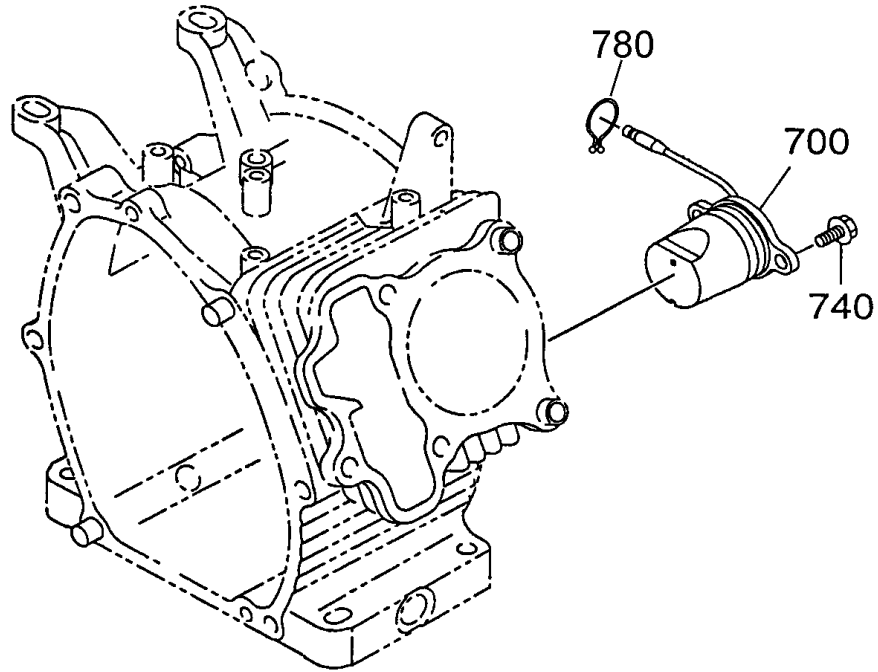
EX17 — IGNITION COIL ASSY.



EX17 — IGNITION COIL ASSY.

<u>NO.</u>	<u>PART NO.</u>	<u>PART NAME</u>	<u>QTY.</u>	<u>REMARKS</u>
10	20A7923101	FLYWHEEL CP	1	
11	20A7943101	IGNITION COIL CP	1	
20	20A5410113	COOLING BLOWER	1	
30	20A0130200	BOLT AND WASHER AY	1	
50	20A7310101	WIRE 1 CP	1	
60	KU31107101	SWITCH ASSY.	1	
70	20A0140300	TAPPING SCREW	2	
100	20A0670100	SPARK PLUG	1	
110	0655000110	SPARK PLUG CAP	1	

EX17 — OIL SENSOR ASSY.



EX17 — OIL SENSOR ASSY.

<u>NO.</u>	<u>PART NO.</u>	<u>PART NAME</u>	<u>QTY.</u>	<u>REMARKS</u>
700	2777630121	OIL SENSOR CP	1	
740	20A0130400	BOLT AND WASHER AY	2	
780	20A0590100	PURSE LOCK	1	