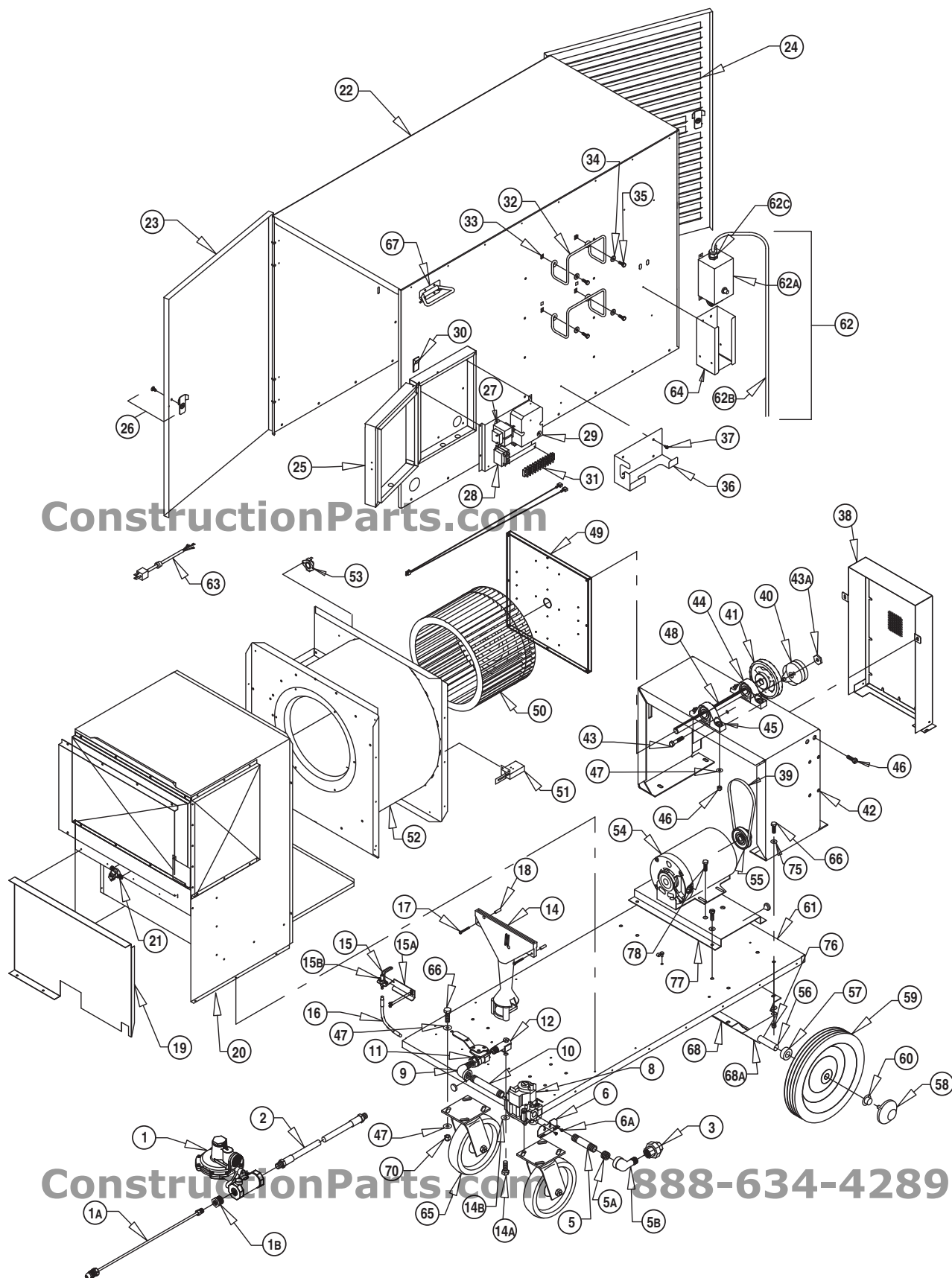


Parts Identification

Premier 350 DF
Model TS350C

888-634-4289

PARTS SCHEMATIC



ConstructionParts.com

ConstructionParts.com 888-634-4289

PARTS LIST

| Item | Description | Part Number |
|-------------|---|--------------------|
| 1 | Regulator | 25141 |
| 1A | Pigtail Connector Propane Gas | 25774 |
| 1B | Bushing Propane Gas | 25775 |
| 2 | Hose, 3/4 ID x 15 Ft. | 23078 |
| 3 | Union | 25272 |
| 5 | Nipple, 1/2 x 4 In. | 03128 |
| 5A | Bushing | 08955 |
| 5b | Street El | 25273 |
| 6 | Bracket, Gas Control | 21768 |
| 6A | Screws | 09425 |
| 8 | Valve, Gas Control | 24025 |
| 9 | Elbow, 1/2 NPT | 01359 |
| 10 | Nipple | 02706 |
| 11 | Gas Selector Valve | 25826 |
| 12 | Manifold with Burner Orifice | 25828 |
| 14 | Burner | 23176 |
| 14A | Bolt, Burner | 02692 |
| 14B | Washer | 01589 |
| 15 | Igniter | 06479 |
| 15A | Bracket | 22895 |
| 15B | Screws | 07288 |
| 16 | Lead, Ignition | 24810 |
| 17 | Screw, Burner Mounting | 02688 |
| 18 | Spacer, Burner | 02687 |
| 19 | Panel, Burner Access | 24012 |
| 20 | Chamber, Heat | 22890 |
| 21 | Switch, High Limit, Burner End, 325°F | 81108 |
| 22 | Case Assembly w/ Control Panel & Access Door | 22877 |
| 23 | Panel, Case Access, Burner | 22881 |
| 24 | Panel, Case Access, Motor | 22880 |
| 25 | Panel, Control Box Cover | 22875 |
| 26 | Latch | 09199 |
| 27 | Transformer | 09615 |
| 28 | Relay | 08685 |
| 29 | Control Ignition | 25590 |
| 30 | Switch, Selector w/ L.E.D. | 22017 |
| 31 | Terminal Strip | 22905 |
| 32 | Hose Hanger | 08936 |
| 33 | Cage Nut | 07708 |
| 34 | Washer, 1/4 | 03054 |
| 35 | Bolt, 1/4 - 20 x 3/4 | 11254 |
| 36 | Bracket, Regulator Storage | 22917 |
| 37 | Screws. Regulator Storage Bracket and Thermostat Storage Bracket | 07288 |
| 38 | Guard, Belt | 24021 |
| 39 | Belt | 24031 |
| 40 | Belt Tensioner | 25135 |

Parts Identification

Premier 350 DF
Model TS350C

ConstructionParts.com 888-634-4289

PARTS LIST (Cont.)

| Item | Description | Part Number |
|------|---|-------------|
| 41 | Pulley, Fan | 23037 |
| 42 | Drive Platform | 25277 |
| 43 | Bolt, 3/8 - 16 x 1 | 23128 |
| 44 | Bearing, Pillow Block | 25132 |
| 45 | Bolt, 3/8 - 16 x 1 1/4 | 03147 |
| 46 | Nut, 3/8 - 16 | 05100 |
| 47 | Washer, 3/8 | 01589 |
| 48 | Shaft, 3/4 Dia. with 3/16 keyway | 25133-A |
| 49 | Panel, Fan Access | 22887 |
| 50 | Fan | 22868 |
| 50A | Key, 3/16 in., Fan & Motor Sheaves, & Fan Shaft (Not Illustrated) | 22955 |
| 51 | Switch, Air Proving | 09925 |
| 52 | Housing, Fan | 22882 |
| 53 | Switch, High Limit, Fan End, 190°F | 25822 |
| 54 | Motor | 22908 |
| 55 | Pulley, Motor | 23038 |
| 56 | Axle, Wheel | 22951 |
| 57 | Spacer | 07905 |
| 58 | Hub Cap | 07187 |
| 59 | Wheel | 22914 |
| 60 | Cap, Retaining | 01095 |
| 61 | Base | 24013 |
| 62 | Thermostat Kit w/ 20 Ft. Cord | 24041 |
| 62A | Thermostat | 09381 |
| 62B | Cord, Thermostat | 20164 |
| 62C | Connector, Liquid Tight | 08948 |
| 63 | Cord, Power, 10 Ft. | 22907 |
| 64 | Bracket, Thermostat Storage | 23186 |
| 65 | Wheel, Caster | 23130 |
| 66 | Bolt, 5/16 - 18 | 03141 |
| 67 | Handle, Case | 08534 |
| 68 | Bracket, Axle Mount | 25274 |
| 68A | Bracket, Axle | 23113 |
| 76 | Nut, 5/16 - 18 | 01680 |
| 77 | Motor Mount | 25276 |
| 79 | Wire Harness, LED | 24685 |

ConstructionParts.com

888-634-4289