

OPERATION AND PARTS MANUAL



MODEL GA6HZR PORTABLE GENERATOR (HONDA GX340 GASOLINE ENGINE)

Revision #3 (03/30/11)

THIS MANUAL MUST ACCOMPANY THE EQUIPMENT AT ALL TIMES.

TABLE OF CONTENTS

GA6HZR Portable 60 Hz Generator

Here's How To Get Help	2
Table Of Contents	3
Parts Ordering Procedures	4
Rules For Safe Operation	5
Operation and Safety Decals	6
Explanation Of Codes In Remarks Column	7
Specifications	8
General Information	9
Controls and Indicators	10
Installation	11
Pre-Setup	12-13
Instrumentation	14
Load Application	15
Operating Instructions.....	16
Maintenance	17
Preparation For Long Term Storage	18
Wiring Diagram	20
Troubleshooting (Engine).....	21-22
Troubleshooting (Generator)	23-24
Suggested Spare Parts	25
Generator Assembly	26-27
Control Box Assembly	28-29
Pipe Frame Assembly	30-31
Muffler Assembly	32-33
Nameplate Assembly	34-35

Honda GX340K1EDN2 Engine

Cylinder Head Assembly	36-37
Recoil Starter Assembly	38-39
Fan Cover Assembly	40-41
Camshaft/Valves Assembly	42-43
Piston/Rings Assembly	44-45
Air Cleaner Assembly	46-47
Cylinder Barrel (Recoil) Assembly	48-49
Cylinder Barrel (Electric) Assembly	50-51
Crankcase Cover/Governor Assembly	52-53
Flywheel/Fan Assembly	54-55
Coil Assembly	56-57
Crankshaft Assembly	58-59
Governor Controls Assembly	60-61
Carburetor Assembly	62-63
Solenoid Assembly	64-65
Fuel Cock Assembly	66-67
Terms and Conditions Of Sale — Parts	68

OPERATION AND SAFETY DECALS

Machine Safety Decals

The GA-6HZR portable generator is equipped with a number of safety decals. These decals are provided for operator safety and maintenance information. The illustration below shows these decals as they appear on the machine. Should any of these decals become unreadable, replacements can be obtained from your dealer.



P/N 7900681202



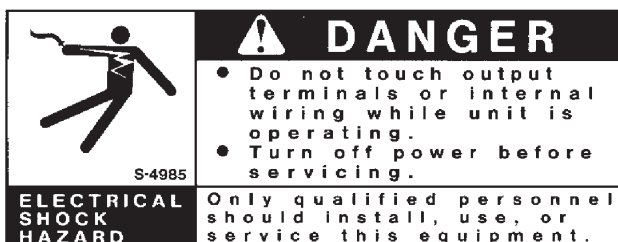
P/N 7900636004

OPERATING INSTRUCTIONS

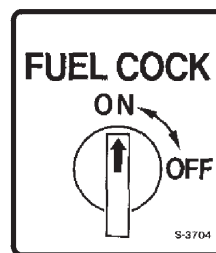
1. Before starting check the oil and fuel level.
2. Switch the circuit breaker to the "OFF" position.
3. Open the fuel valve.
4. Pull the choke knob.
5. Turns the operation switch to the "RUN" position and push
6. Pull the recoil starter.
7. After the engine starts, gradually push in the choke valve.
8. Run the generator for 3-5 minutes without load.
9. Check for any abnormal noise or smell.
10. Switch the circuit breaker to the "ON" position.
11. When stopping, remove the load and allow it to continue to run for 2-3 minutes before stopping engine.
12. Turns the operation switch to the "STOP" position.
13. After the engine completely stops, close the fuel valve.

S-4607

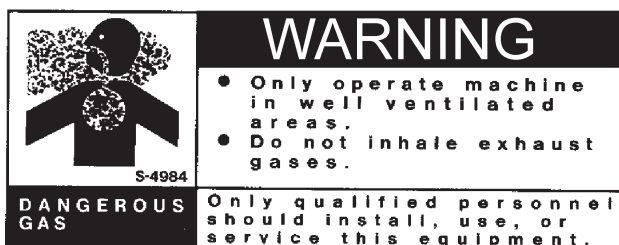
P/N 7900638204



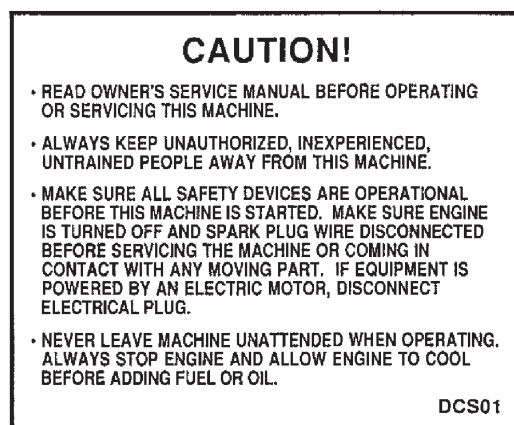
P/N 8700611904



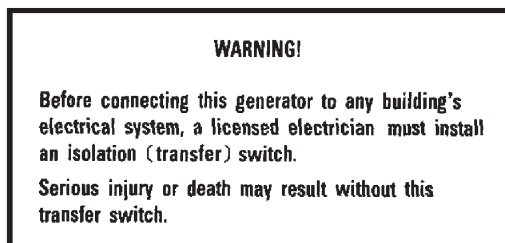
P/N 1980680004



P/N 8700611804



P/N 0820610804



P/N 0820610404



P/N 0800628504

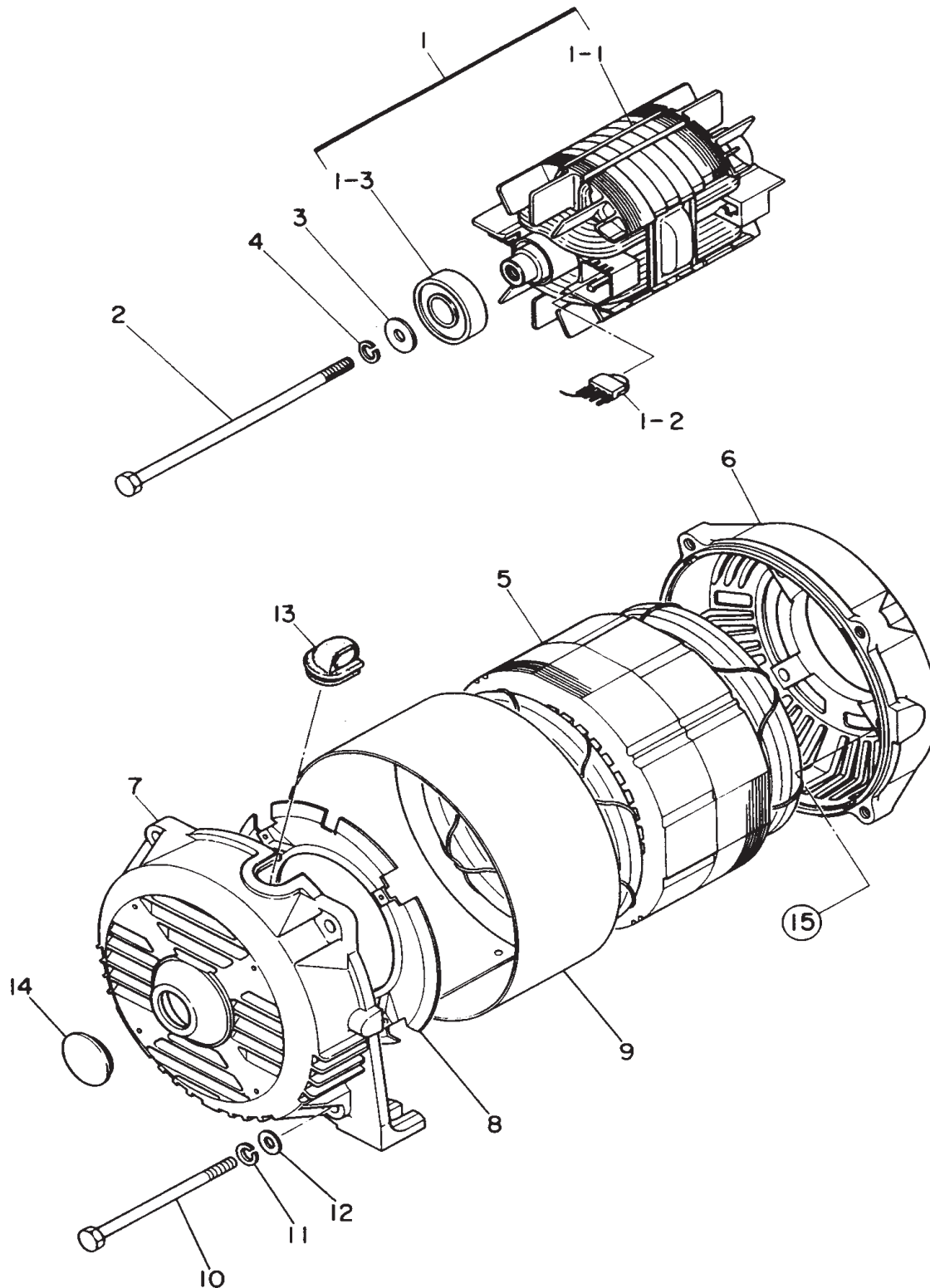
GA-6HZR1 TO 5 UNITS WITH HONDA GX340K1EDN2 ENGINE

1 to 5 Units

Qty.	P/N	Description
5	9807955846	SPARK PLUG
1	15510ZE2W01	OIL LEVEL SWITCH
1	15600735700	DIPSTICK
1	28400ZEW01ZB	RECOIL STARTER
5	17211899000	ELEMENT AIR
1	16100ZEF00	CARBURETOR ASSY.
1	16950ZB4015	FUEL COCK ASSY.
5	0810107103	FUEL FILTER
2	0810106004	CAP, FUEL TANK
2	0601805327	CIRCUIT BREAKER
3	0601823204	RECTIFIER
2	0601812597	RECEPTACLE
2	0601811031	RECEPTACLE, 125V, 30A
2	0601811032	RECEPTACLE, 250V 20A

GA-6HZR — GENERATOR ASSY.

GENERATOR ASSY.

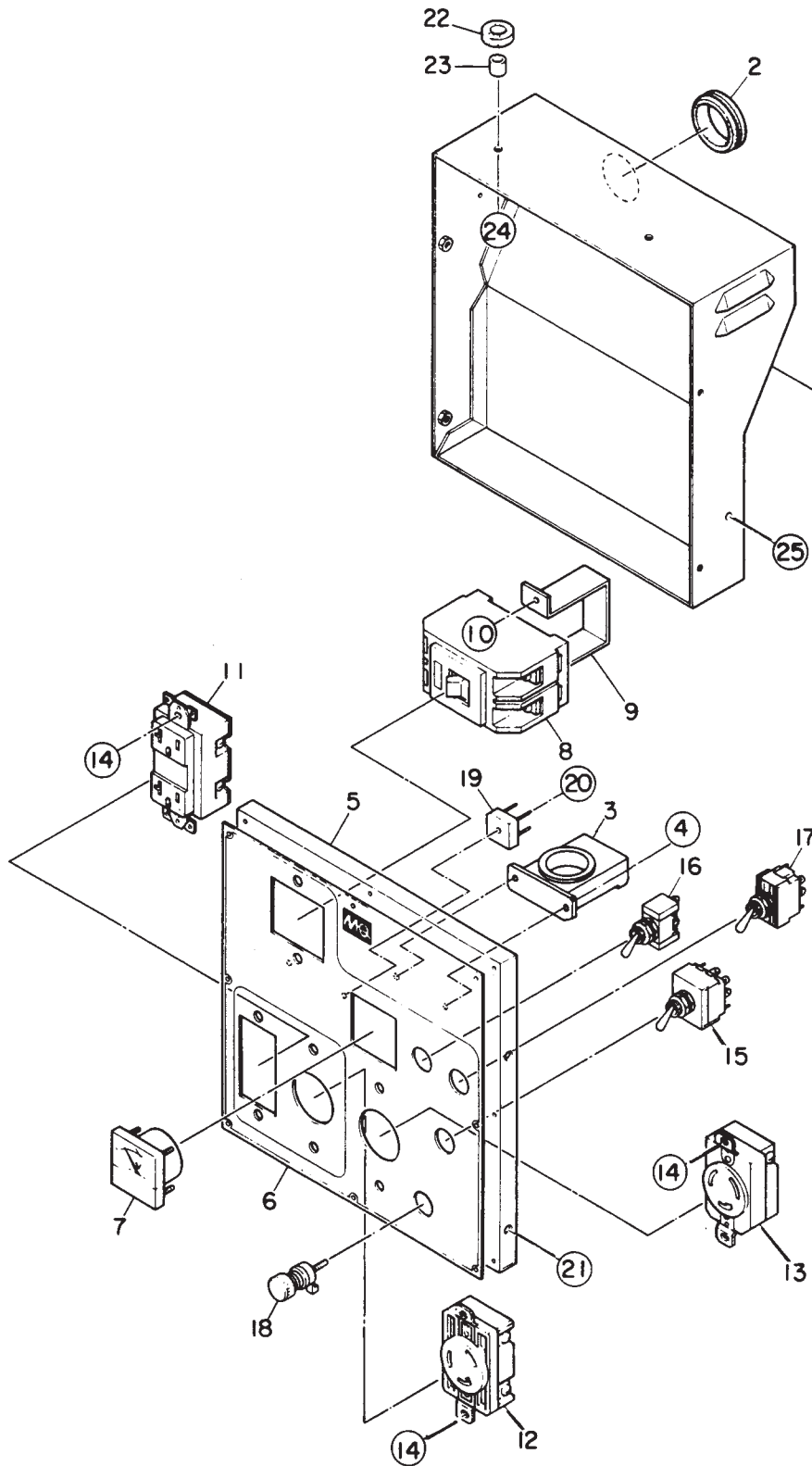


GENERATOR ASSY.

<u>NO</u>	<u>PART NO</u>	<u>PART NAME</u>	<u>QTY.</u>	<u>REMARKS</u>
1	7901002403	ROTOR ASS'Y	1	
1-1	7871080003	FIELD COIL	1	
1-2	0601823207	RECTIFIER	2	
	0601822638	SURGE ABSORBER	2	
1-3	0071706304	BEARING	1	
2	7901017004	SET BOLT, ROTOR	1	
3	0801086104	SET WASHER, BEARING	1	
4	0040010000	SPRING WASHER	1	
5	7901348603	ARMATURE ASS'Y	1	
6	79013A15502	END BRACKET	1	
7	7871315022	END BRACKET	1	
8	7875021513	GUIDE PANEL, AAIR	1	
9	7871231003	COVER	1	
10	7901316004	SET BOLT, STATOR	4	
11	0040008000	SPRING WASHER	4	
12	0041208000	PLAIN WASHER	4	
13	7871329514	GROMMET	1	
14	0601851760	CAP	1	
15	0010108020	HEX. HEAD BOLT	4	
	0040008000	spring washer	4	

GA-6HZR — CONTROL BOX ASSY.

CONTROL BOX ASSY.



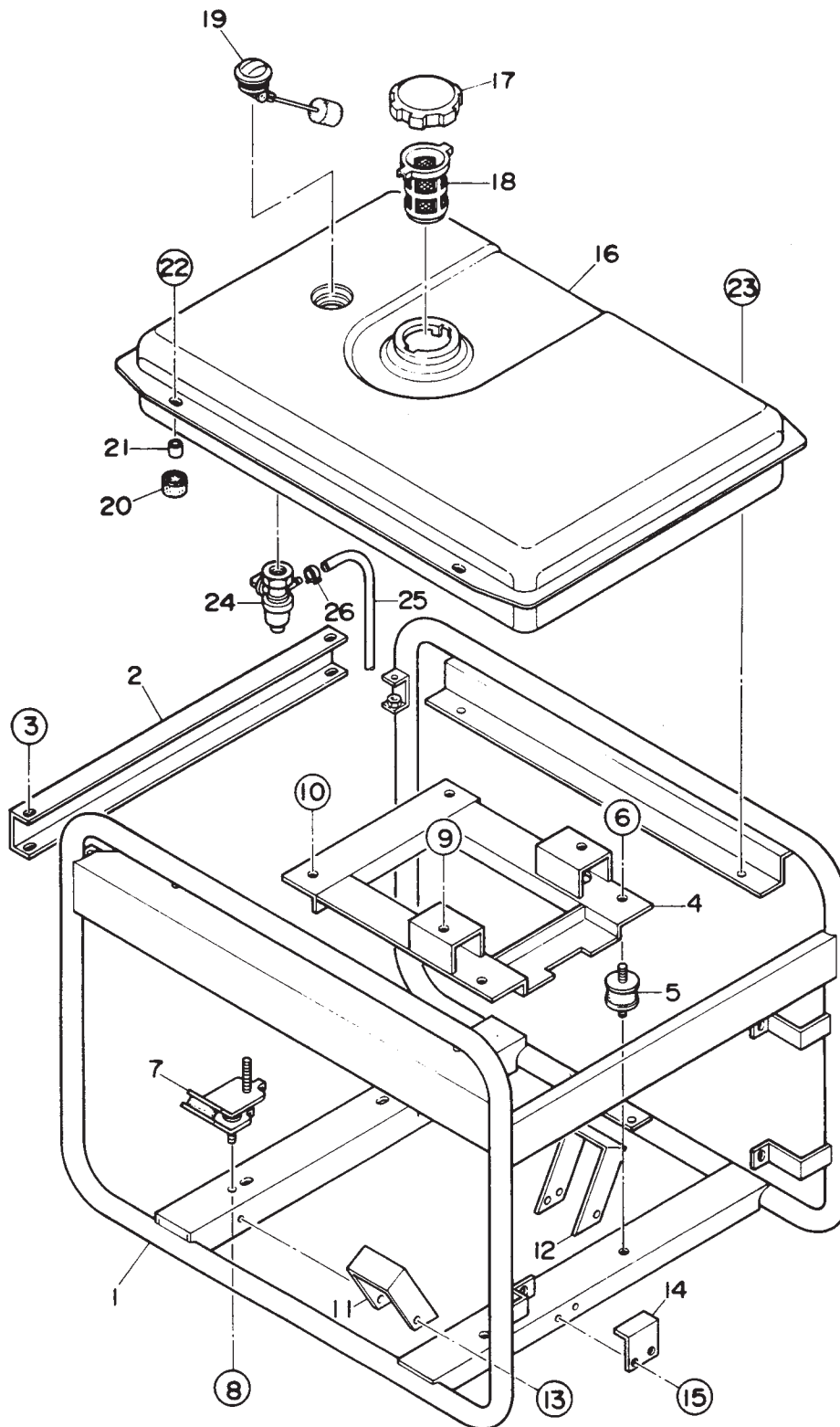
GA-6HZR — CONTROL BOX ASSY.

CONTROL BOX ASSY.

<u>NO</u>	<u>PART NO</u>	<u>PART NAME</u>	<u>QTY.</u>	<u>REMARKS</u>
1	7911811403	CONTROL BOX	1	
2	0601850102	GROMMET	1	
3	0601823853	SLOW DOWN UNIT	1	
4	0027104010	MACHINE SCREW	2	
	0207004000	HEX. NUT	2	
5	7911821413	CONTROL PANEL	2	
6	7900501212	NAME PLATE	1	S/N 2975451 AND BELOW
	7900501222	NAME PLATE	1	S/N 2975452 AND ABOVE
7	0601800258	AC VOLTMETER	1	
8	0601804819	CIRCUIT BREAKER, 265V, 21A	1	
9	4341817004	BRACKET, CIRCUIT BREAKER	1	
10	0027104010	MACHINE SCREW	2	
11	0601812597	RECEPTACLE5-20R:GF5352 (GFCI)...	1	REPLACES P/N 0601817004
12	0601811035	RECEPTACLE, L5-30R:125V, 30A	1	
13	0601811032	RECEPTACLE, L6-20R: 250V, 20A	1	
14	0027104010	MACHINE SCREW	6	
	0030004000	HEX. NUT	6	REPLACES P/N 0207004010
15	0601830737	FULL POWER SWITCH	1	
16	0601830727	IDLE CONTROL SWITCH	1	
17	0601830738	OPERATION SWITCH	1	
18	0601815109	GROUND TERMINAL	1	
19	0601823204	RECTIFIER	2	
20	0027103020	MACHINE SCREW	2	
21	0017105010	HEX. HEAD BOLT	4	
22	0805088004	RUBBER CUSHION	2	
23	0805088304	COLLAR	2	
24	0017106020	HEX. HEAD BOLT	2	
25	0017106016	HEX. HEAD BOLT	1	

GA-6HZR — PIPE FRAME ASSY.

PIPE FRAME ASSY.

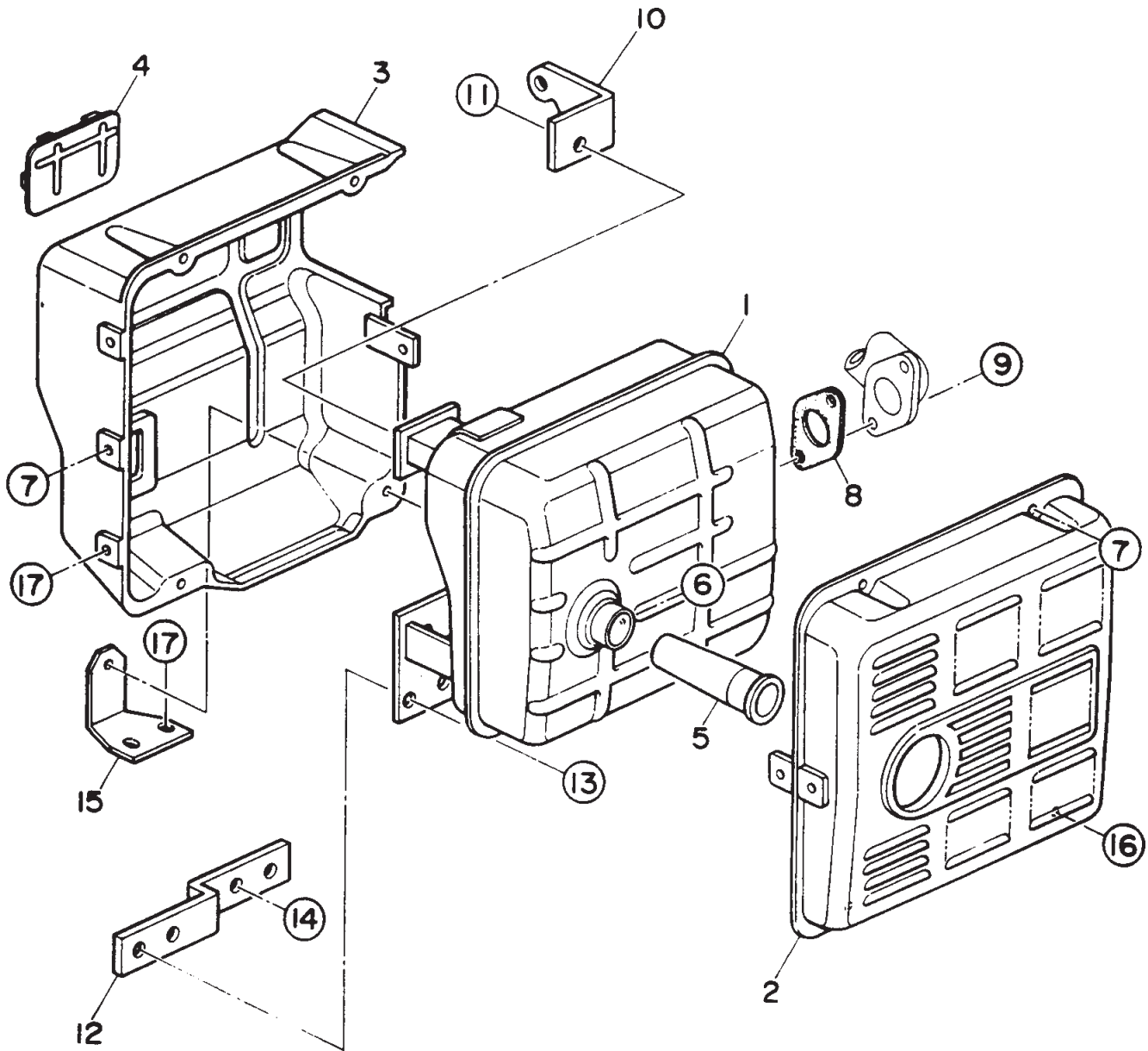


PIPE FRAME ASSY.

<u>NO</u>	<u>PART NO</u>	<u>PART NAME</u>	<u>QTY.</u>	<u>REMARKS</u>
1	7905413002	PIPE FRAME	1	
2	7905416004	BRACKET	1	
3	0017106016	HEX. HEAD BOLT	4	
4	7905443003	BASE	1	
5	3015419604	RUBBER SUSPENSION	2	
6	0207008000	HEX. NUT	4	
7	1725419214	RUBBER SUSPENSION	2	
8	0207008000	HEX. NUT	4	
9	0017108030	HEX. HEAD BOLT	2	
10	0017108040	HEX. HEAD BOLT	2	
	0207008000	HEX. NUT	2	
11	7915455103	COVER	1	
12	7915455003	COVER	1	
13	0017106016	HEX. HEAD BOLT	6	
14	7915456004	STOPPER	1	
15	0017106016	HEX. HEAD BOLT	2	
16	7905512002	FUEL TANK	1	
17	0810106004	CAP. FUEL TANK	1	
18	0810107103	FUEL FILTER	1	
19	0602125031	FUEL GAUGE	1	
20	7855525514	RUBBER CUSHION	2	
21	7855525604	COLLAR	2	
22	0017108030	HEX. HEAD BOLT	2	
23	0017108020	HEX. HEAD BOLT	2	
24	16950ZB4015	FUEL COCK	1	REPLACES P/N 0605511087
25	950014519040	HOSE	1	REPLACES P/N 0605513140
26	0605515096	HOSE BAND	2	

GA-6HZR — MUFFLER ASSY.

MUFFLER ASSY.

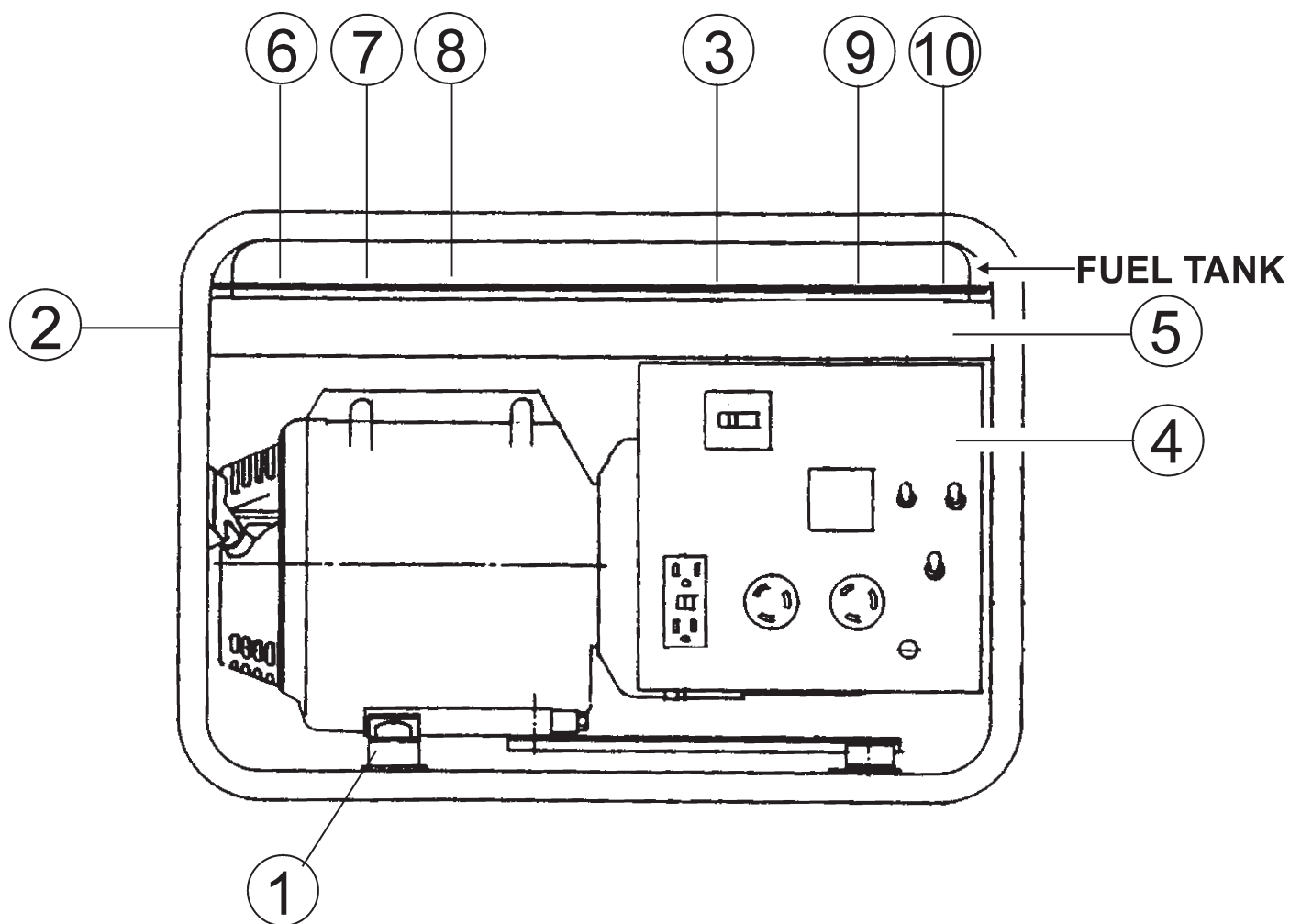


MUFFLER ASSY.

<u>NO</u>	<u>PART NO</u>	<u>PART NAME</u>	<u>QTY.</u>	<u>REMARKS</u>
1	7912310003	MUFFLER	1	
2	18320ZC2000	PROTECTOR, MUFFLER	1	REPLACES P/N 0602302001
3	18325ZB4000	PROTECTOR, MUFFLER	1	REPLACES P/N 0602302002
4	18329ZB4000	SEAL	2	REPLACES P/N 0602302003
5	18355ZB4630	ARRESTER, SPARK	1	REPLACES P/N 0602313060
6	90183671003	TAPPING SCREW	1	REPLACES P/N 0602322060
7	0017106012	HEX. HEAD BOLT	5	
8	18333ZB4800	GASKET	1	REPLACES P/N 0602320175
9	957010802000	HEX. HEAD BOLT	2	REPLACES P/N 0602322061
10	7905461004	BRACKET	1	
11	0017108020	HEX. HEAD BOLT	1	
12	7905461004	BRACKET	1	
13	0017108025	HEX. HEAD BOLT	2	
	0207008000	HEX. NUT	2	
14	0017108020	HEX. HEAD BOLT	2	
15	7905469004	BRACKET	1	
16	0017106020	HEX. HEAD BOLT	1	
17	0017106012	HEX. HEAD BOLT	4	

GA-6HZR— NAMEPLATE ASSY.

NAMEPLATE ASSY.

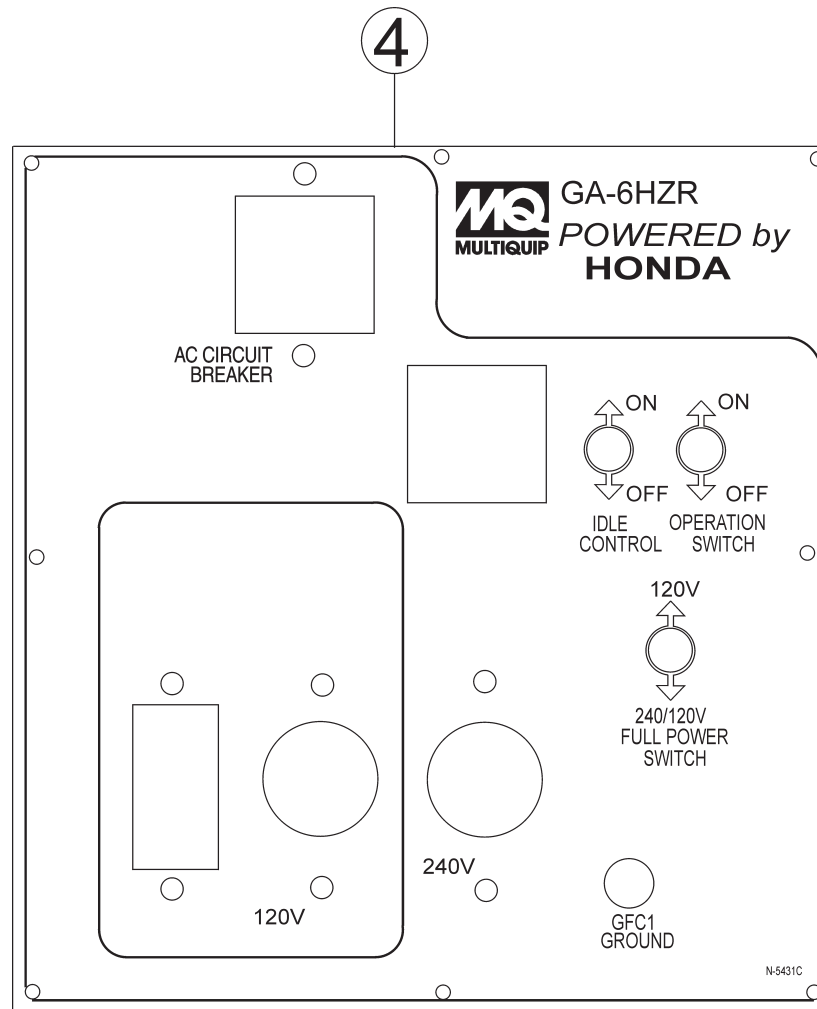


GA-6HZR— NAMEPLATE ASSY.

NAMEPLATE ASSY.

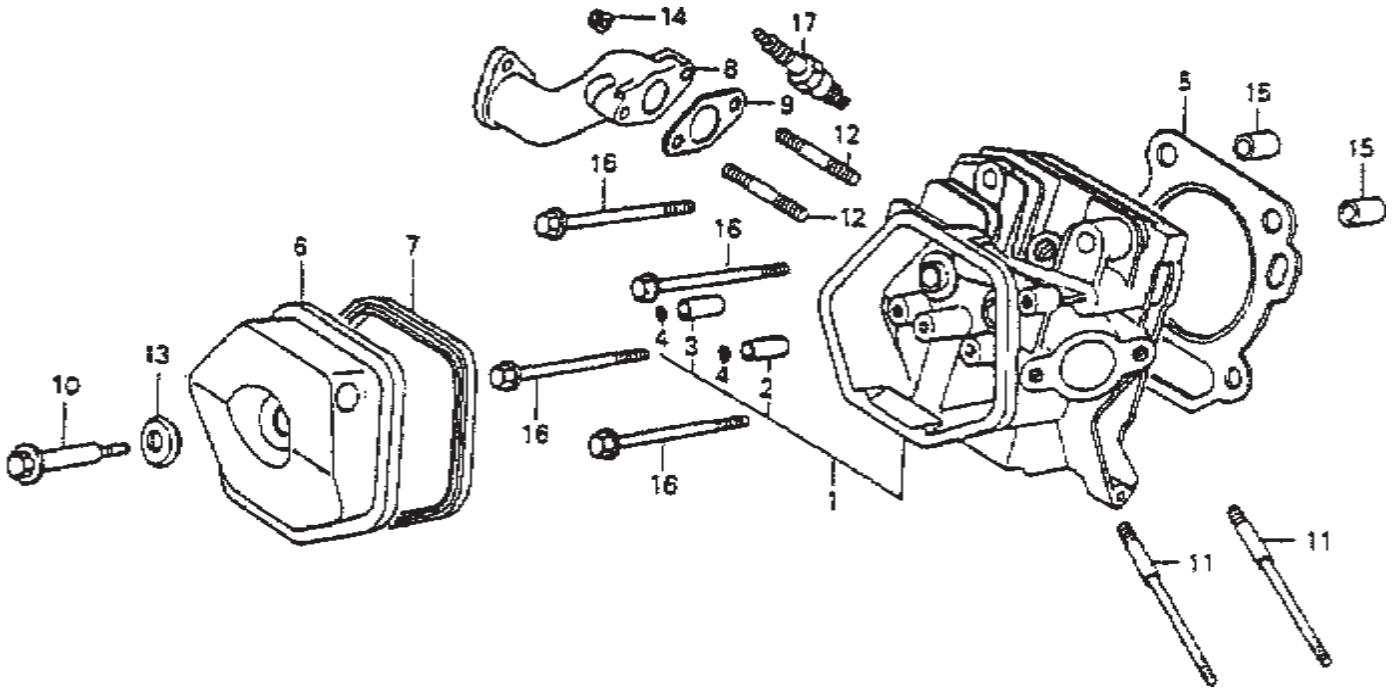
NO	PART NO	PART NAME	QTY.	REMARKS
1	0800628504	DECAL : GROUND	1	S-1123
2	1980680004	DECAL : FUEL COCK	1	S-3704
3	7900638004	DECAL : OPERATING INSTRUCTIONS	1	S-4605
4	7900501222	DECAL : MQ GA-6HZR	1	
5	7900681202	DECAL : MQ 6000	1	S-4499
6	0820610304	DECAL : CAUTION	1	
7	0820610404	DECAL : WARNING	1	
8	7900636004	DECAL : OPERATE AT 3600 RPM ONLY	1	
9	8700611804	DECAL : WARNING	1	
10	8700611904	DECAL : DANGER	1	

SEE ADDITIONAL DECAL ILLUSTRATIONS ON PAGE 6.



HONDA GX340K1EDN2 ENGINE — CYLINDER HEAD

CYLINDER HEAD ASSY.



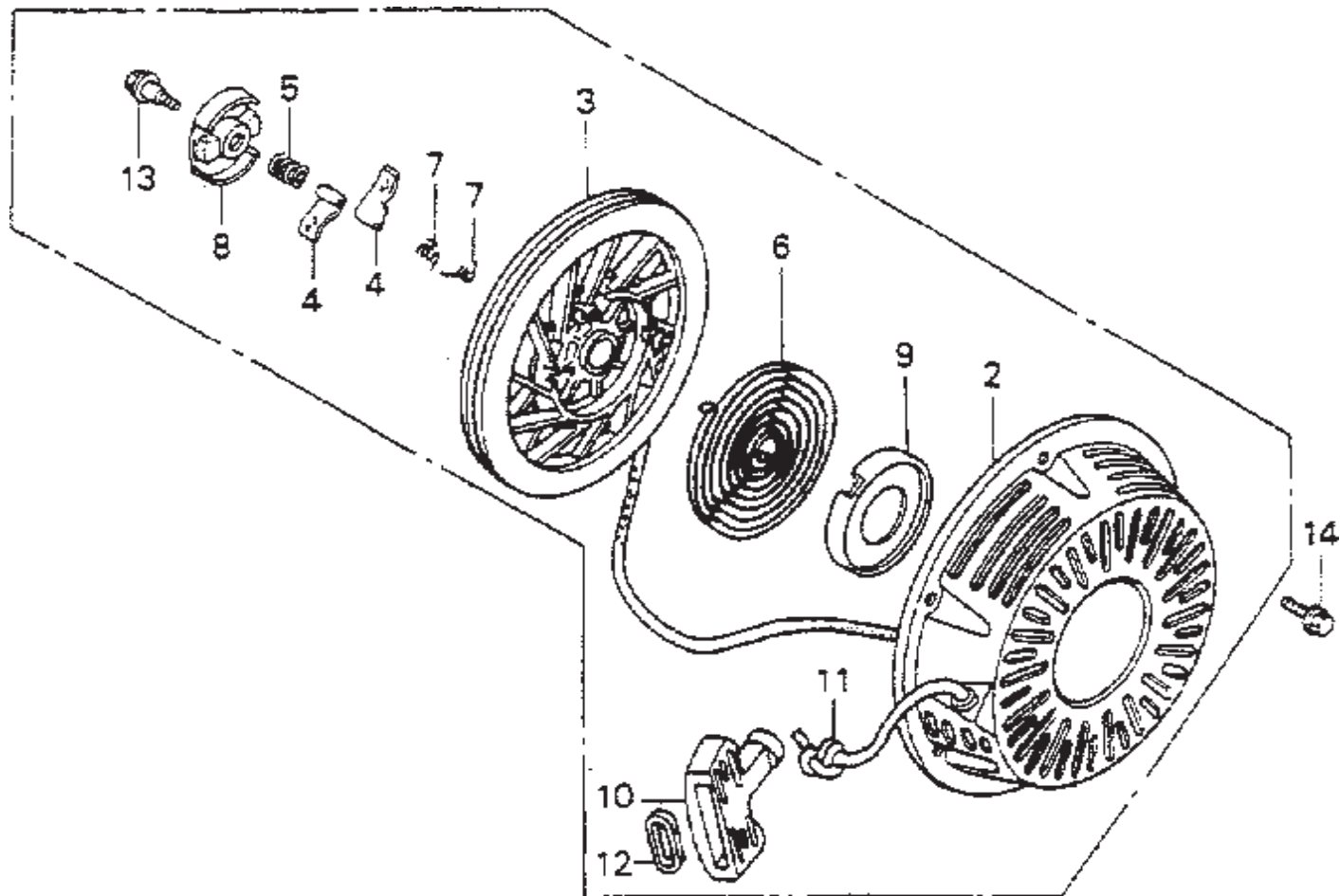
HONDA GX340K1EDN2 ENGINE — CYLINDER HEAD

CYLINDER HEAD ASSY.

<u>NO</u>	<u>PART NO</u>	<u>PART NAME</u>	<u>QTY.</u>	<u>REMARKS</u>
1	122AOZF6W00	HEAD COMP., CYLINDER	1	INCLUDES ITEM W/*
2*	12204ZE2325	GUIDE, IN. VALVE (OVER SIZE)	1	
3*	12205ZE2315	GUIDE, EX. VALVE (OVER SIZE)	1	
4*	12216ZE2300	CLIP, VALVE GUIDE	2	
5	12251ZE3W00	GASKET, CYLINDER HEAD	1	
6	12310ZE2010	COVER COMP., HEAD	1	
7	12391ZE2010	PACKING, HEAD COVER	1	
8	18330ZE3700	PIPE, EX.	1	
9	18333ZE3800	GASKET, EX. PIPE	1	
10	90014ZE2000	BOLT, HEAD COVER	1	
11	90042ZE3700	BOLT, STUD, 8X98	2	
12	90047ZE2000	BOLT, STUD, 8X47	2	
13	90441ZE2010	WASHER COMP., HEAD COVER	1	
14	9405008000	NUT, FLANGE, 8MM	2	
15	9430112200	PIN, DOWEL, 12X20	2	
16	957251008000	BOLT, FLANGE, 10X80	4	
17	9807955846	PLUG, SPARK (BPR5ES NGK)	1	
	9807955855	PLUG, SPARK (W16EPRU ND)	1	

HONDA GX340K1EDN2 ENGINE — RECOIL STARTER

RECOIL STARTER ASSY.



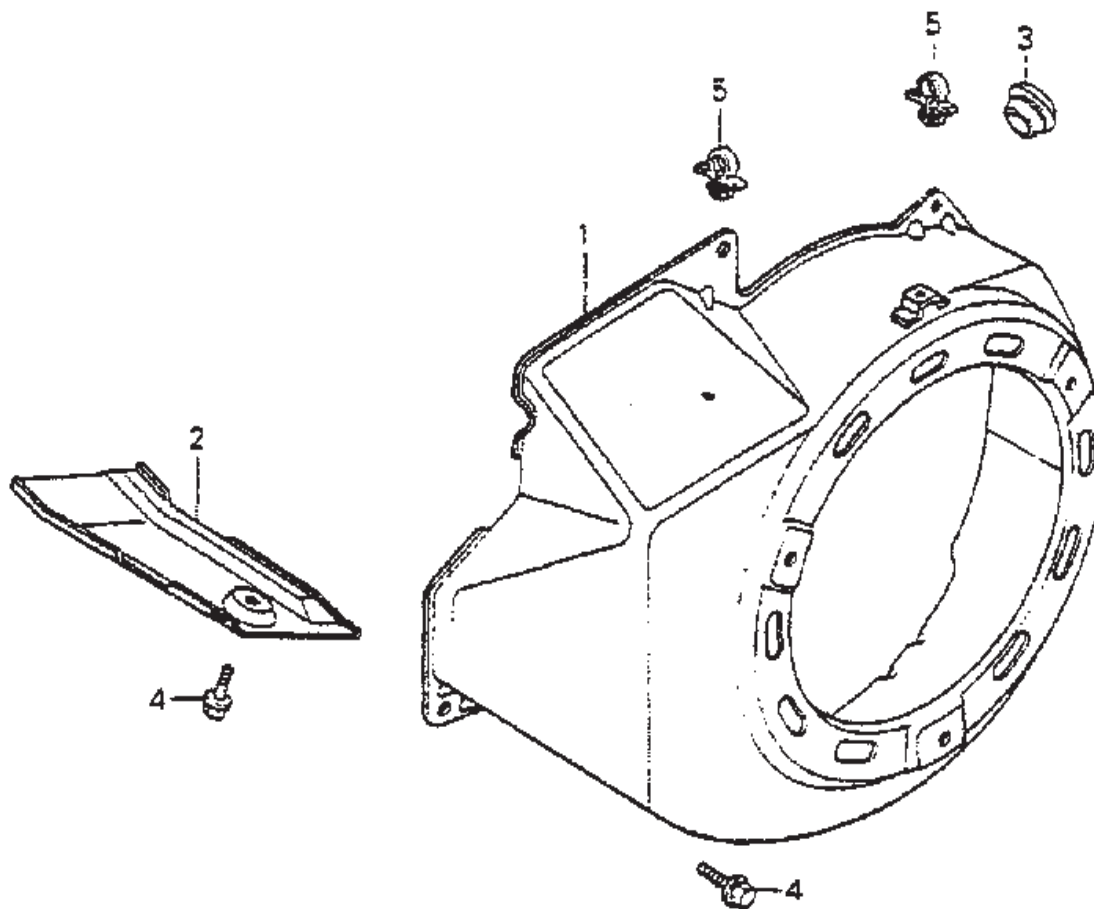
HONDA GX340K1EDN2 ENGINE — RECOIL STARTER

RECOIL STARTER ASSY.

<u>NO</u>	<u>PART NO</u>	<u>PART NAME</u>	<u>QTY.</u>	<u>REMARKS</u>
1	28400ZE3W01ZB	STARTER ASSY, RECOIL	1	INCLUDES ITEMS W/*
2*	28410ZE3W01ZB	CASE COMP., RECOIL STARTER	1	
3*	28421ZE3W01	PULLEY, RECOIL STARTER	1	
4*	28422ZE2W01	RATCHET, STARTER	2	
5*	28441ZE2W01	SPRING, FRICTION	1	
6*	28442ZE2W01	SPRING, STARTER RETURN	1	
7*	28443ZE2W01	SPRING, RATCHET	2	
8*	28444ZE2W01	RETAINER, SPRING	1	
9*	28445ZE2W01	HOLDER, SPRING	1	
10*	28461ZE2W01	GRIP, STARTER	1	
11*	28462ZE3W01	ROPE, RECOIL STARTER	1	
12*	28469ZE2W01	GRID REINFORCEMENT	1	
13*	90004ZE2W01	SCREW, CENTER	1	
14	957010600800	BOLT, FLANGE, 6X8	3	

HONDA GX340K1EDN2 ENGINE — FAN COVER

FAN COVER ASSY.



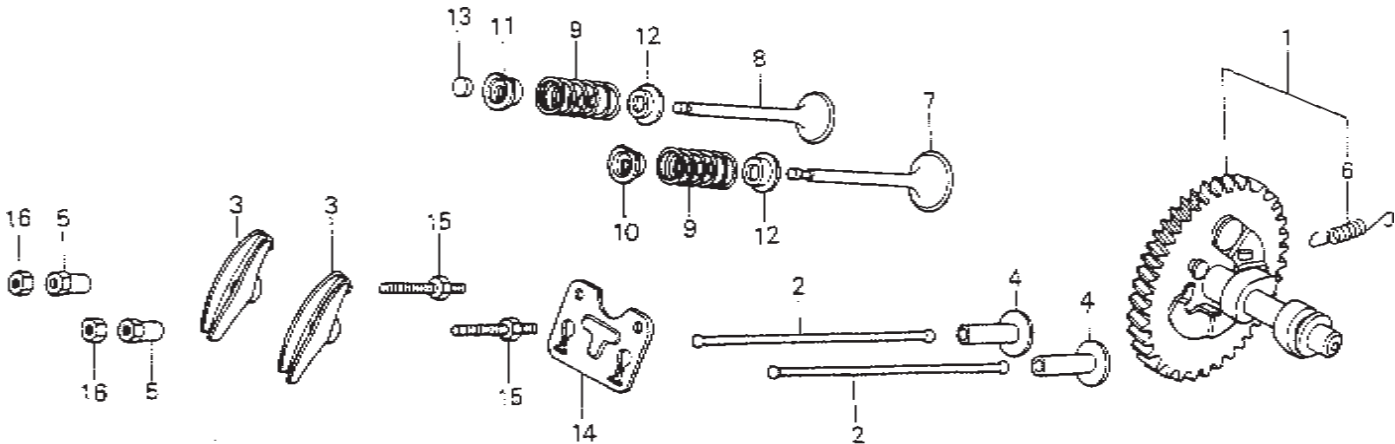
HONDA GX340K1EDN2 ENGINE — FAN COVER

FAN COVER ASSY.

<u>NO</u>	<u>PART NO</u>	<u>PART NAME</u>	<u>QTY.</u>	<u>REMARKS</u>
1	19610ZE3700ZB	COVER COMP., FAN	1	
2	19631ZE3W00	SHROUD	1	
3	81329567020	GROMMET, DRAIN HOLE	1	
4	90013883000	BOLT, FLANGE, 6X12	6	
5	90654SA4003	CLIP	2	

HONDA GX340K1EDN2 ENGINE — CAMSHAFT/VALVES

CAMSHAFT/VALVES ASSY.



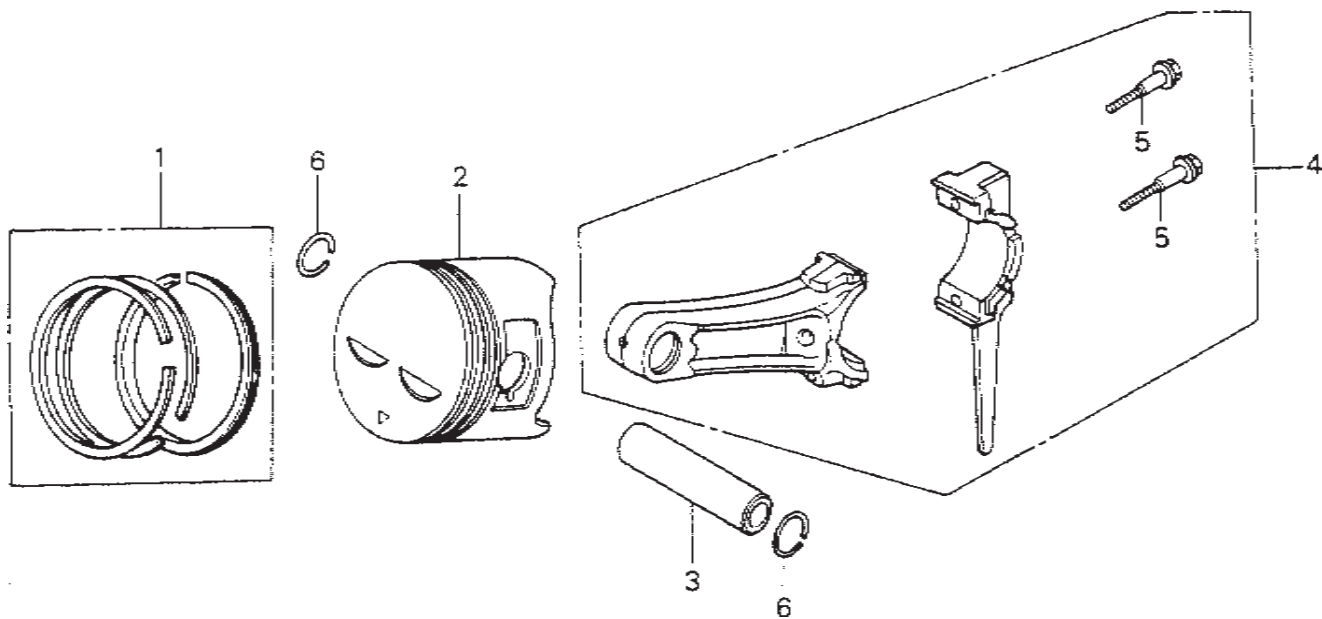
HONDA GX340K1EDN2 ENGINE — CAMSHAFT/VALVES

CAMSHAFT/VALVES ASSY.

<u>NO</u>	<u>PART NO</u>	<u>PART NAME</u>	<u>QTY.</u>	<u>REMARKS</u>
1	14100ZE3010	CAMSHAFT ASSY.	1	INCLUDES ITEMS/W*
2	14410ZE3013	ROD, PUSH	2	
3	14431ZE2000	ARM, VALVE ROCKER	2	
4	14441ZE2000	LIFTER, VALVE	2	
5	14451ZE1003	PIVOT, ROCKER ARM	2	
6*	14568ZE1000	SPRING, WEIGHT RETURN	1	
7	14711ZE3000	VALVE, IN	1	
8	14721ZE3000	VALVE, EX.	1	
9	14751ZE2003	SPRING, VALVE	2	
10	14771ZE2000	RETAINER, IN. VALVE SPRING	1	
11	14773ZE2000	RETAINER, EX. VALVE SPRING	1	
12	14775ZE2010	SEAT, VALVE SPRING	2	
13	14781ZE2000	ROTATOR, VALVE	1	
14	14791ZE2010	PLATE, PUSH ROD GUIDE	1	
15	90012ZE0010	BOLT, PIVOT	2	
15	90206ZE1000	NUT, PIVOT ADJUSTING	2	

HONDA GX340K1EDN2 ENGINE — PISTON/RINGS

PISTON/RINGS ASSY.



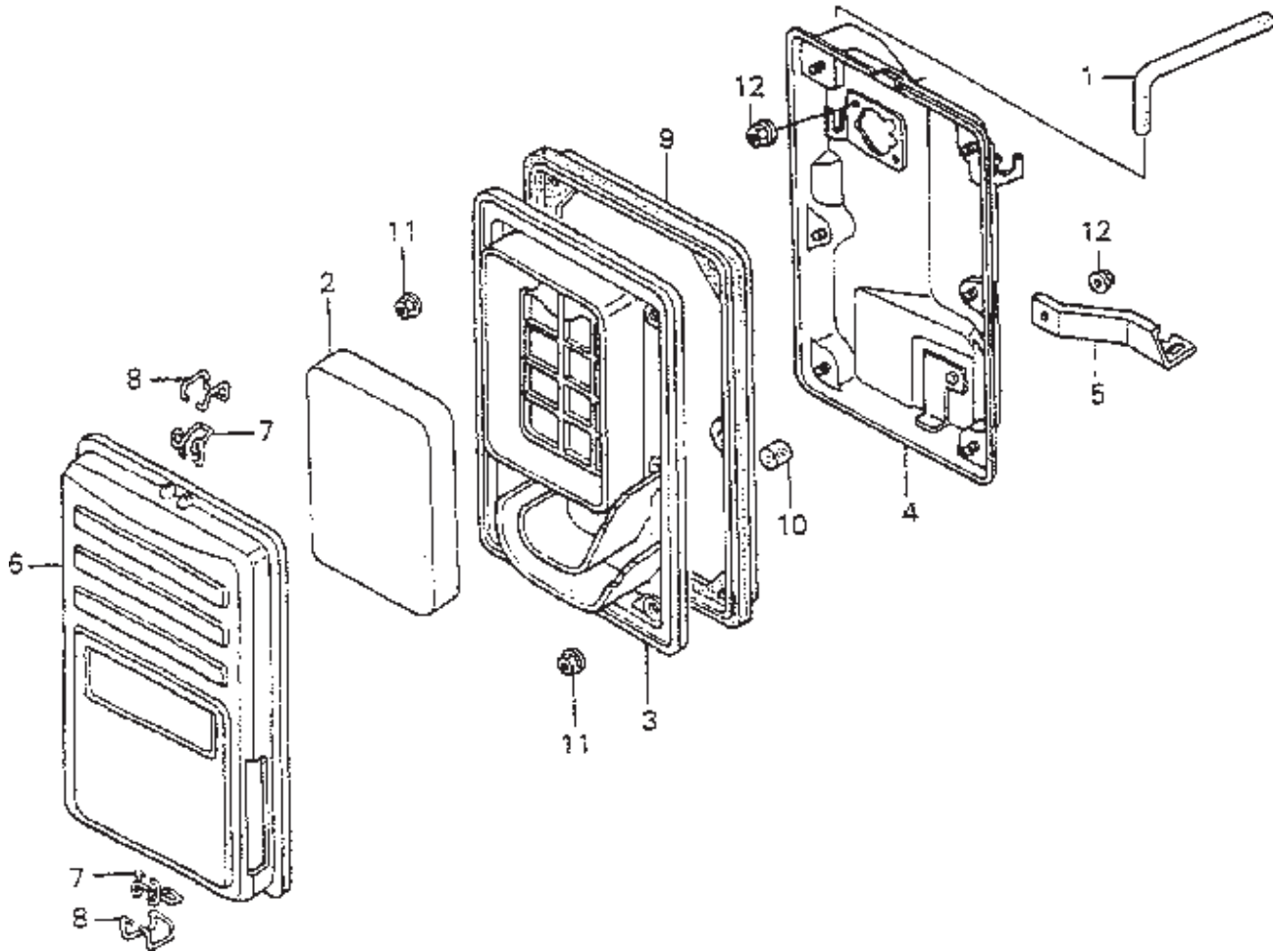
HONDA GX340K1EDN2 ENGINE — PISTON/RINGS

PISTON/RINGS ASSY.

<u>NO</u>	<u>PART NO</u>	<u>PART NAME</u>	<u>QTY.</u>	<u>REMARKS</u>
1	13010ZE3003	RING SET, PISTON (STD)	1	
	13011ZE3003	RING SET, PISTON (0.25)	1	
	13012ZE3003	RING SET, PISTON (0.50)	1	
	13013ZE3003	RING SET, PISTON (0.75)	1	
2	13101ZE3W00	PISTON (STD)	1	
	13102ZE3W00	PISTON (0.25)	1	
	13103ZE3W00	PISTON (0.50)	1	
	13104ZE3W00	PISTON (0.75)	1	
3	13111ZF6000	PIN, PISTON	1	
4	13200ZE3010	ROD ASSY., CONNECTING	1	INCLUDES ITEM W/*
5*	90001ZE8000	BOLT, CONNECTING ROD	2	
6	90601ZE3000	CLIP, PISTON PIN, 18MM	2	

HONDA GX340K1EDN2 ENGINE — AIR CLEANER

AIR CLEANER ASSY.



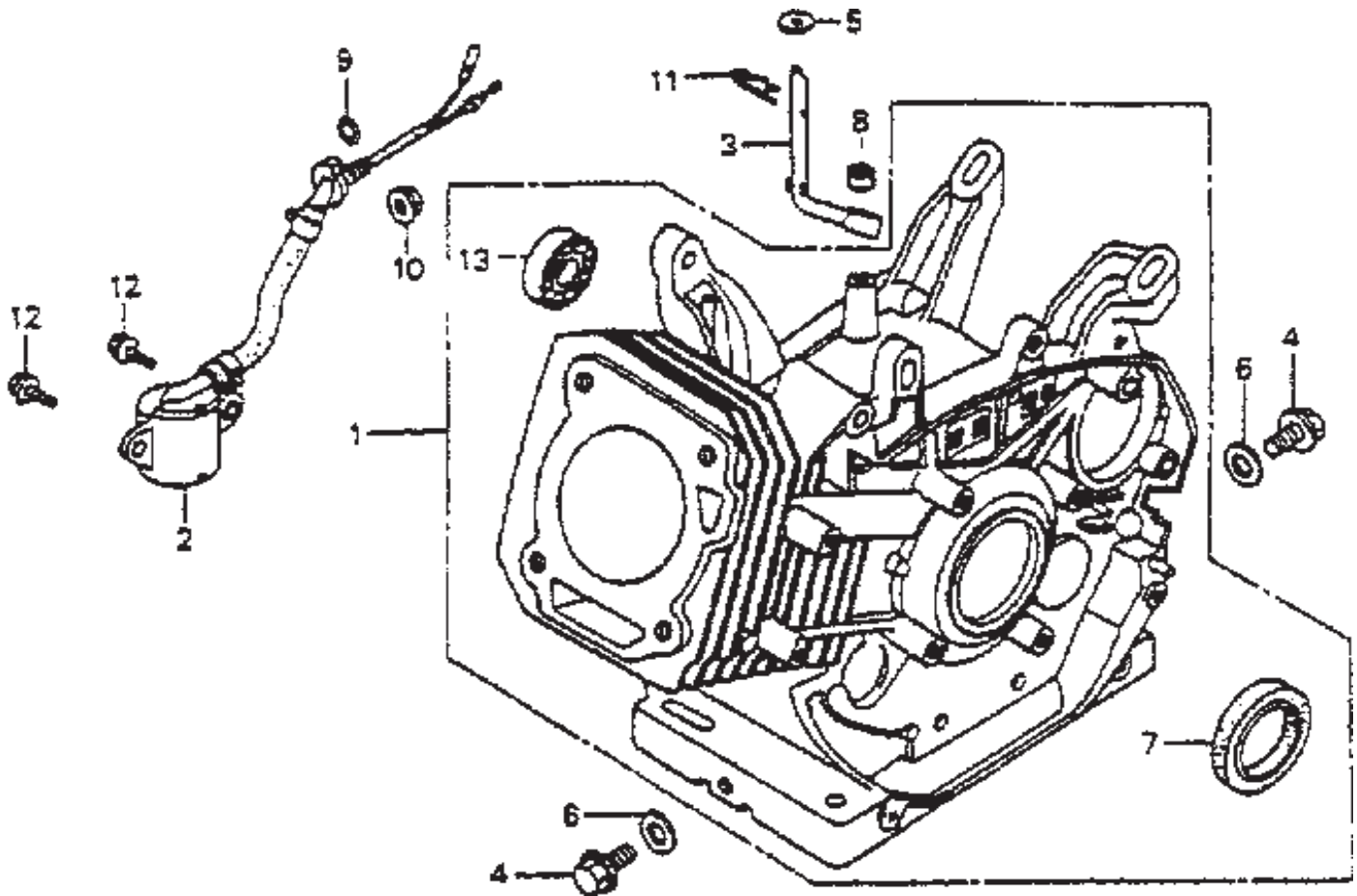
HONDA GX340K1EDN2 ENGINE — AIR CLEANER

AIR CLEANER ASSY.

<u>NO</u>	<u>PART NO</u>	<u>PART NAME</u>	<u>QTY.</u>	<u>REMARKS</u>
1	15721ZB4000	TUBE BREATHER	1	
2	17211899000	ELEMENT, AIR CLEANER	1	
3	17212ZB4003	SEPARATOR, AIR CLEANER	1	
4	17220ZB4003	CASE COMP., AIR CLEANER	1	
5	17222ZC2000	STAY, AIR CLEANER	1	
6	17231899000	COVER COMP., AIR CLEANER	1	
7	17235899000	CLIP A, AIR CLEANER WIRE	2	
8	17236899000	CLIP B, AIR CLEANER WIRE	2	
9	17252899000	SEAL, AIR CLEANER	1	
10	17367413690	FILTER, DRAIN TUBE	1	
11	9405005000	NUT, FLANGE, 5 MM	6	
12	9405006000	NUT, FLANGE, 6 MM	3	

HONDA GX340K1EDN2 ENGINE — CYLINDER BARREL

CYLINDER BARREL ASSY. (RECOIL STARTER)



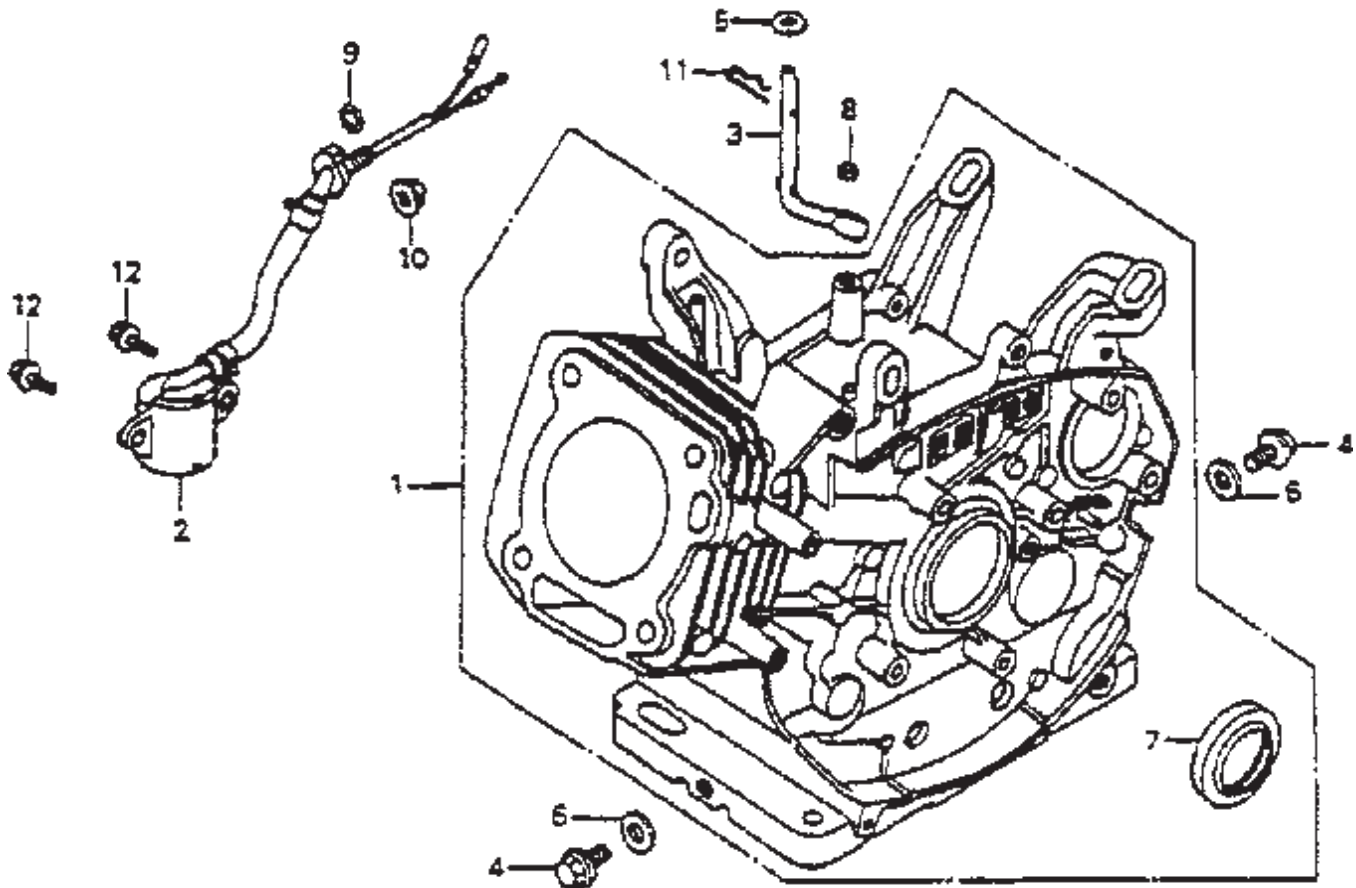
HONDA GX340K1EDN2 ENGINE — CYLINDER BARREL

CYLINDER BARREL ASSY. (RECOIL STARTER)

<u>NO</u>	<u>PART NO</u>	<u>PART NAME</u>	<u>QTY.</u>	<u>REMARKS</u>
1	12000ZE3816	BARREL ASSY., CYLINDER	1	
2	15510ZE2043	SWITCH ASSY., OIL LEVEL	1	
3	16541ZE3000	SHAFT, GOVERNOR ARM	1	
4	90131883000	BOLT, DRAIN PLUG	2	
5	90446KE1000	WASHER, 8.2X17X0.8	1	
6	9410912000	WASHER, DRAIN PLUG	2	
7	91201ZE3004	OIL SEAL	1	
8	91203952771	OIL SEAL	1	
9	91353671004	ORING, 14 MM	1	
10	9405010000	NUT, FLANGE, 10 MM	1	
11	9425108000	PIN, LOCK, 8 MM	1	
12	957010601200	BOLT, FLANGE, 6X12	2	
13	961006202000	BEARING, RADIAL BALL 6202	1	

HONDA GX340K1EDN2 ENGINE — CYLINDER BARREL

CYLINDER BARREL ASSY. (ELECTRIC START)



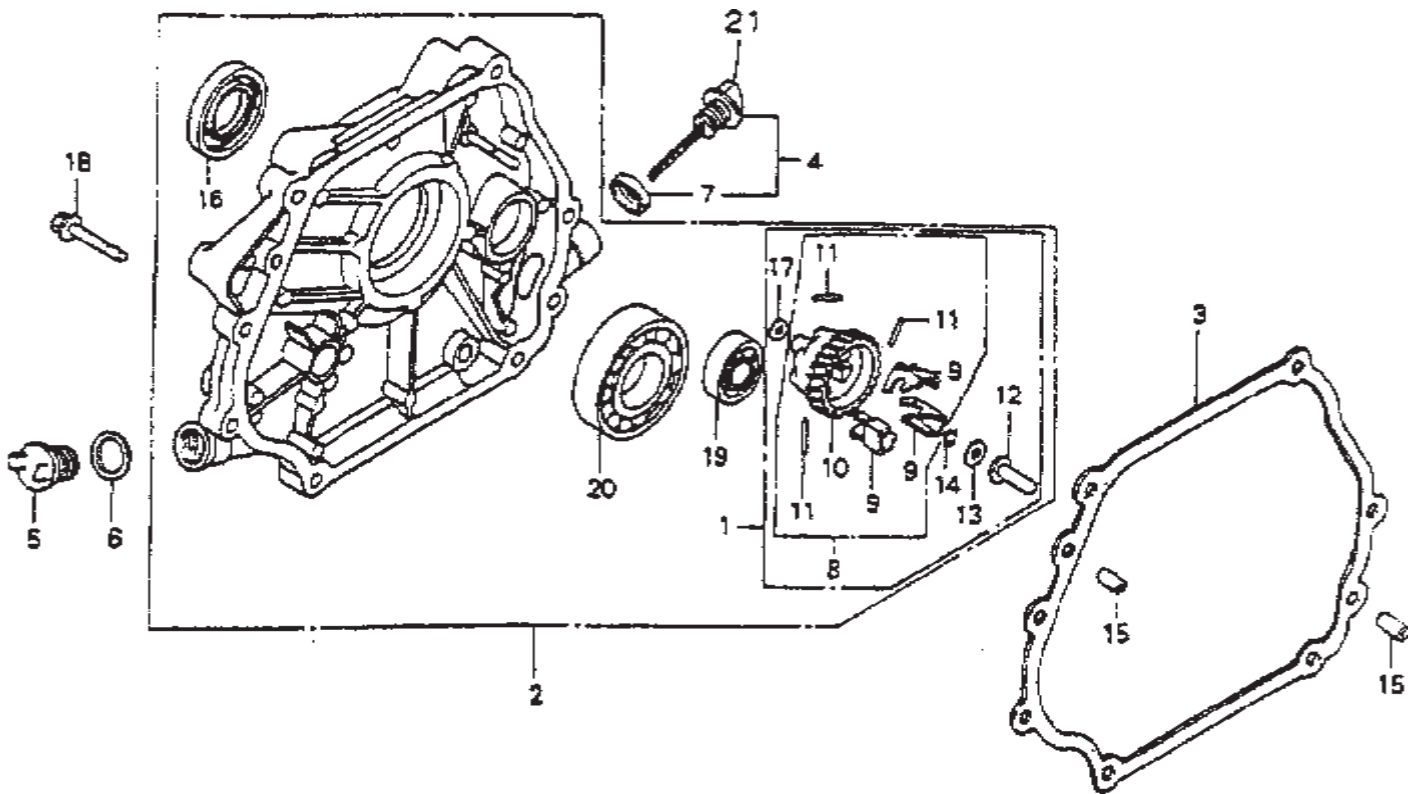
HONDA GX340K1EDN2 ENGINE — CYLINDER BARREL

CYLINDER BARREL ASSY. (ELECTRIC START)

<u>NO</u>	<u>PART NO</u>	<u>PART NAME</u>	<u>QTY.</u>	<u>REMARKS</u>
1	12000ZE3826	BARREL ASSY., CYLINDER	1	
2	15510ZE2043	SWITCH ASSY., OIL LEVEL	1	
3	16541ZE3000	SHAFT, GOVERNOR ARM	1	
4	90131883000	BOLT, DRAIN PLUG	2	
5	90446KE1000	WASHER, 8.2X17X0.8	1	
6	9410912000	WASHER, DRAIN PLUG	2	
7	91201ZE300	OIL SEAL	1	
8	91203952771	OIL SEAL	1	
9	91353671004	ORING, 14 MM	1	
10	9405010000	NUT, FLANGE, 10 MM	1	
11	9425108000	PIN, LOCK, 8 MM	1	
12	957010601200	BOLT, FLANGE, 6X12	2	
13	961006202000	BEARING, RADIAL BALL 6202	1	

HONDA GX340K1EDN2 ENGINE — CRANKCASE COVER/GOVERNOR

CRANKCASE COVER/GOVERNOR ASSY.



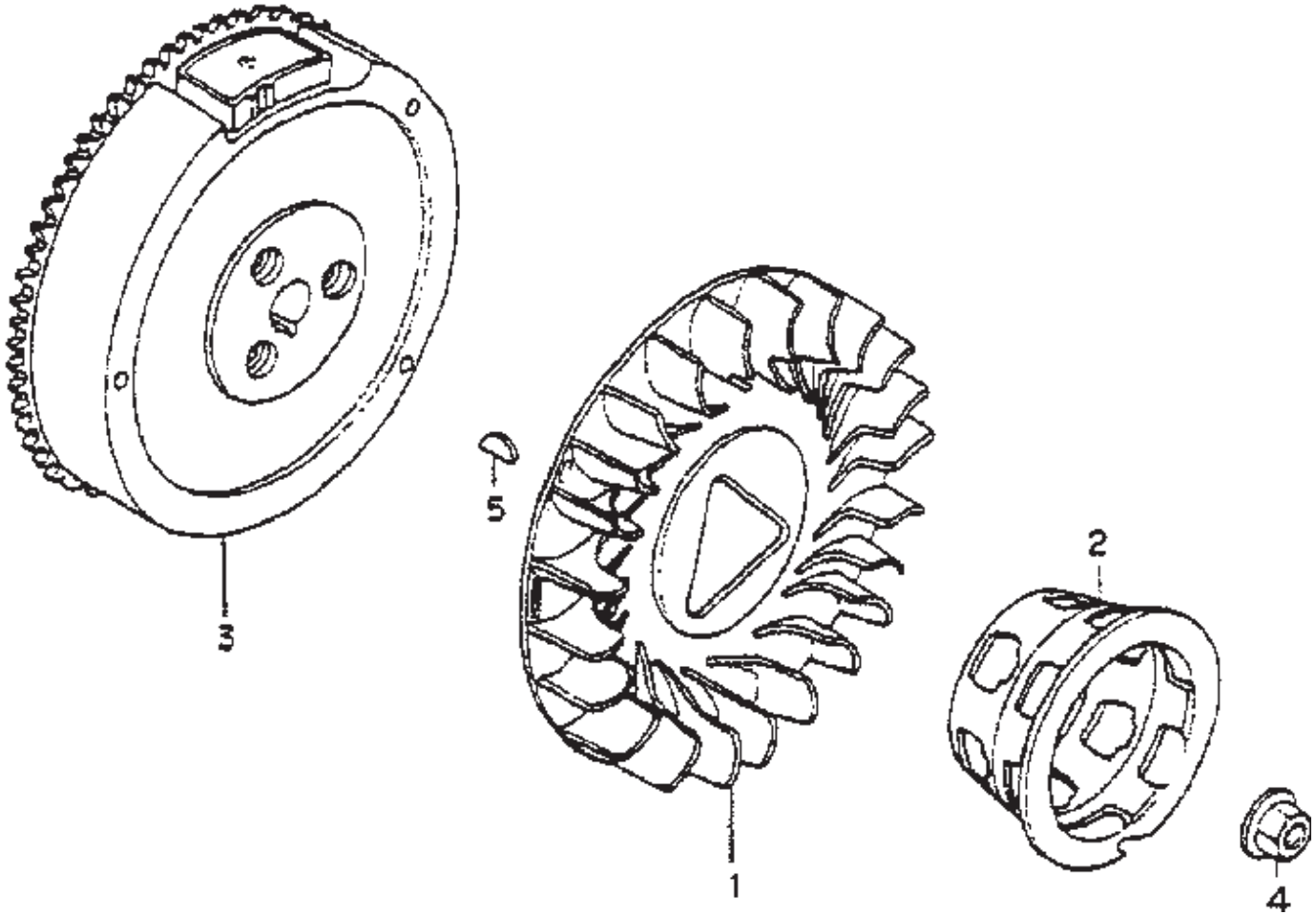
HONDA GX340K1EDN2 ENGINE — CRANKCASE COVER/GOVERNOR

CRANKCASE COVER/GOVERNOR ASSY.

<u>NO</u>	<u>PART NO</u>	<u>PART NAME</u>	<u>QTY.</u>	<u>REMARKS</u>
1+	06165ZE3000	GOVERNOR KIT	1	INCLUDES ITEM W/*
2	11300ZE3020	COVER ASSY., CRANKCASE	1	INCLUDES ITEM W/+
3	11381ZE3800	PACKING, CASE COVER	1	
4	15600735700	CAP ASSY., OIL FILLER	1	INCLUDES ITEM W/#
5	15621896010	PACKING, OIL FILLER CAP	1	
6	15625ZE1000	PACKING, OIL FILLER CAP	1	
7#	16510ZE3000	GOVERNOR ASSY.	1	
8*+	16511ZE8000	WEIGHT, GOVERNOR	3	
9*+	16512ZE3000	HOLDER, GOVERNOR WEIGHT	1	
10*+	16513ZE2000	PIN, GOVERNOR WEIGHT	3	
11*+	16531ZE2000	SLIDER, GOVERNOR	1	
12*+	16520ZG4910	CAP, OIL FILLER	1	
13*+	90473147000	WASHER, 6X16	1	
14*+	90602ZE1000	CLIP, GOVERNOR HOLDER	1	
15	91201ZE3004	OIL SEAL, 35X52X8	1	
16+	9410106800	WASHER, PLAIN, 6 MM	1	
17*	90701HC4000	PIN, DOWEL, 8X12	2	
18	959000804000	BOLT, FLANGE, 8X40	7	
19+	961006202000	BEARING, RADIAL BALL 6202	1	
20+	961006207000	BEARING, RADIAL BALL 6207	1	
21#	15620735700	CAP, OIL FILLER	1	

HONDA GX340K1EDN2 ENGINE — FLYWHEEL/FAN ASSY.

FLYWHEEL/FAN ASSY.



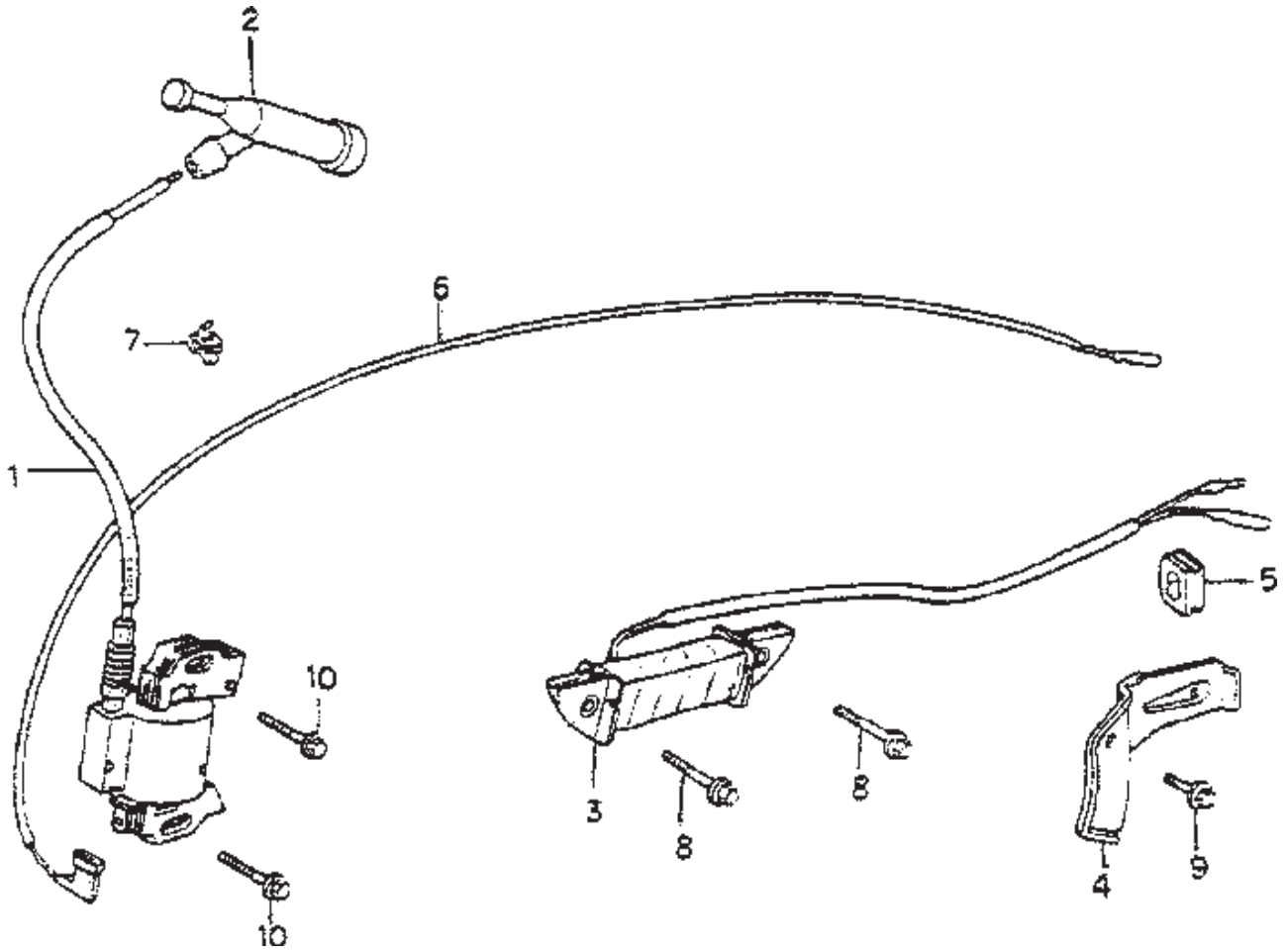
HONDA GX340K1EDN2 ENGINE — FLYWHEEL/FAN ASSY.

FLYWHEEL/FAN ASSY.

<u>NO</u>	<u>PART NO</u>	<u>PART NAME</u>	<u>QTY.</u>	<u>REMARKS</u>
1	19511ZE3000	FAN, COOLING	1	
2	28451ZE3W01	PULLEY, STARTER	1	
3	31100ZE3721	FLYWHEEL COMP.	1	
4	90201ZE3790	NUT, SPECIAL, 16 MM	1	
5	90741ZE2000	KEY, SPECIAL WOODRUFF	1	

HONDA GX340K1EDN2 ENGINE — COIL ASSY.

COIL ASSY.



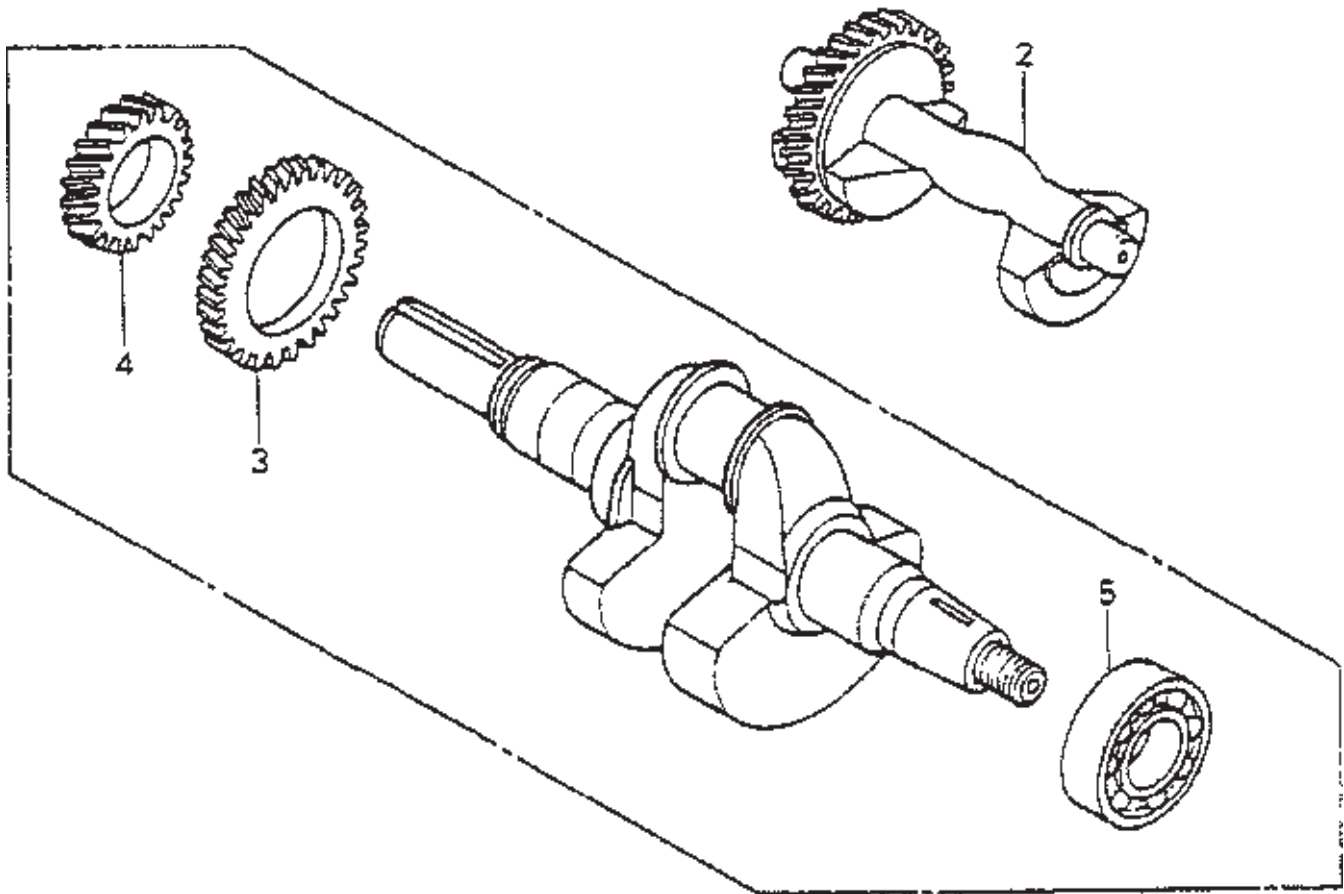
HONDA GX340K1EDN2 ENGINE — COIL ASSY.

COIL ASSY.

<u>NO</u>	<u>PART NO</u>	<u>PART NAME</u>	<u>QTY.</u>	<u>REMARKS</u>
1	30500ZE2013	COIL ASSY., IGNITION	1	
2	30700ZE1013	CAP ASSY., NOISE SUPPRESSO	1	
3	31510ZE1811	COIL ASSY., LAMP 12V/25W	1	
4	31511ZE3000	CLAMP, WIRE	1	
5	31512ZE2000	GROMMET, CORD	1	
6	36101ZE3800	CORD, STOP SWITCH	1	
7	36103ZE1000	HOLDER, STOP SWITCH CORD	1	
8	90012888000	BOLT, FLANGE, 6X40	4	
9	90013883000	BOLT, FLANGE, 6X12	1	
10	90015883000	BOLT, FLANGE, 6X28	2	

HONDA GX340K1EDN2 ENGINE — CRANKSHAFT ASSY.

CRANKSHAFT ASSY.



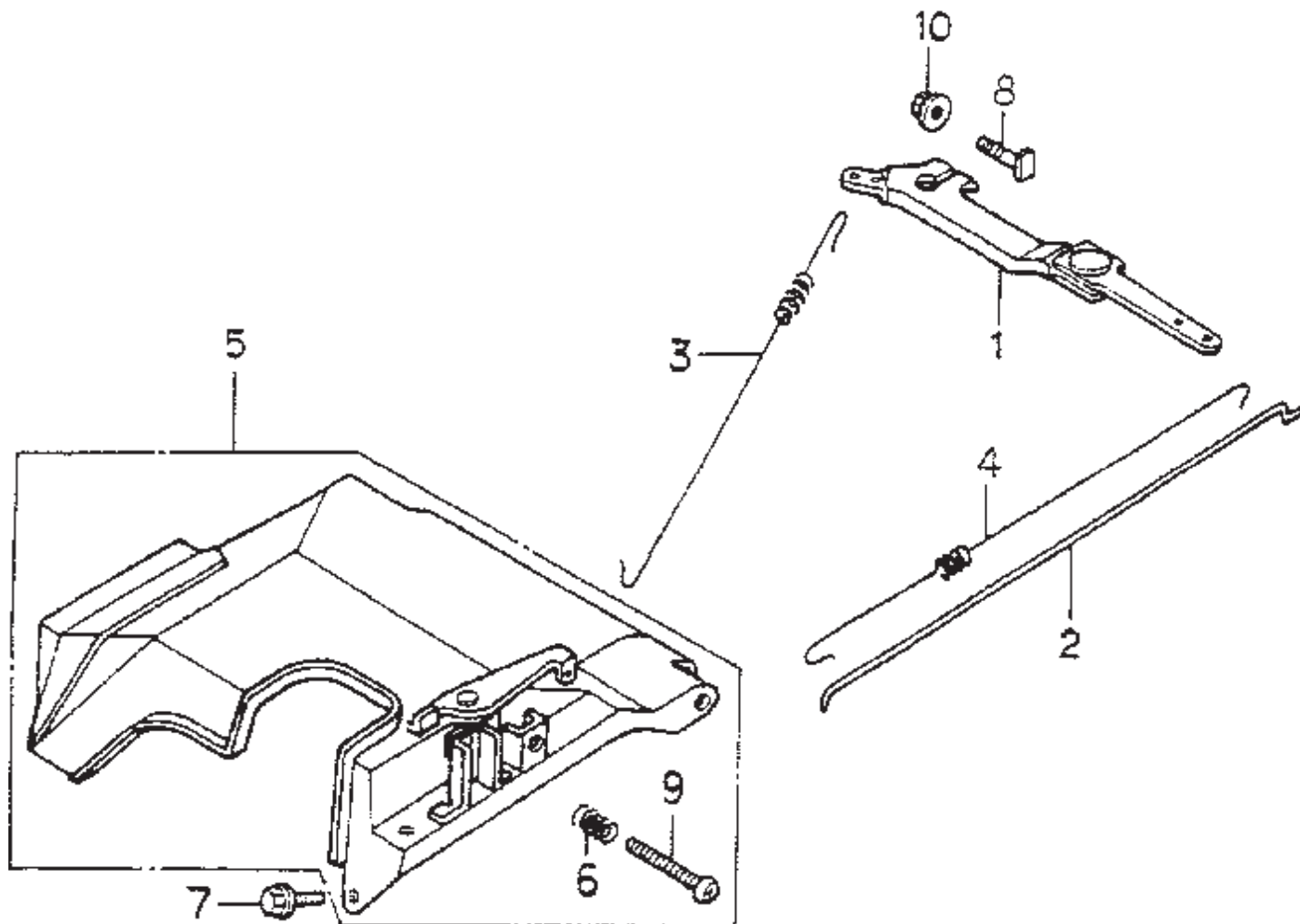
HONDA GX340K1EDN2 ENGINE — CRANKSHAFT ASSY.

CRANKSHAFT ASSY.

<u>NO</u>	<u>PART NO</u>	<u>PART NAME</u>	<u>QTY.</u>	<u>REMARKS</u>
1	13310ZE3701	CRANKSHAFT COMP.	1 INCLUDES ITEMS W/★
2	13351ZE3010	WEIGHT, BALANCER	1	
3★	13352ZE3310	GEAR, BALANCER DRIVE	1	
4★	14311ZE3310	GEAR, TIMING	1	
5★	961006207000	BEARING, RADIAL BALL, 6207	1	

HONDA GX340K1EDN2 ENGINE — GOVERNOR CONTROLS ASSY.

GOVERNOR CONTROLS ASSY.



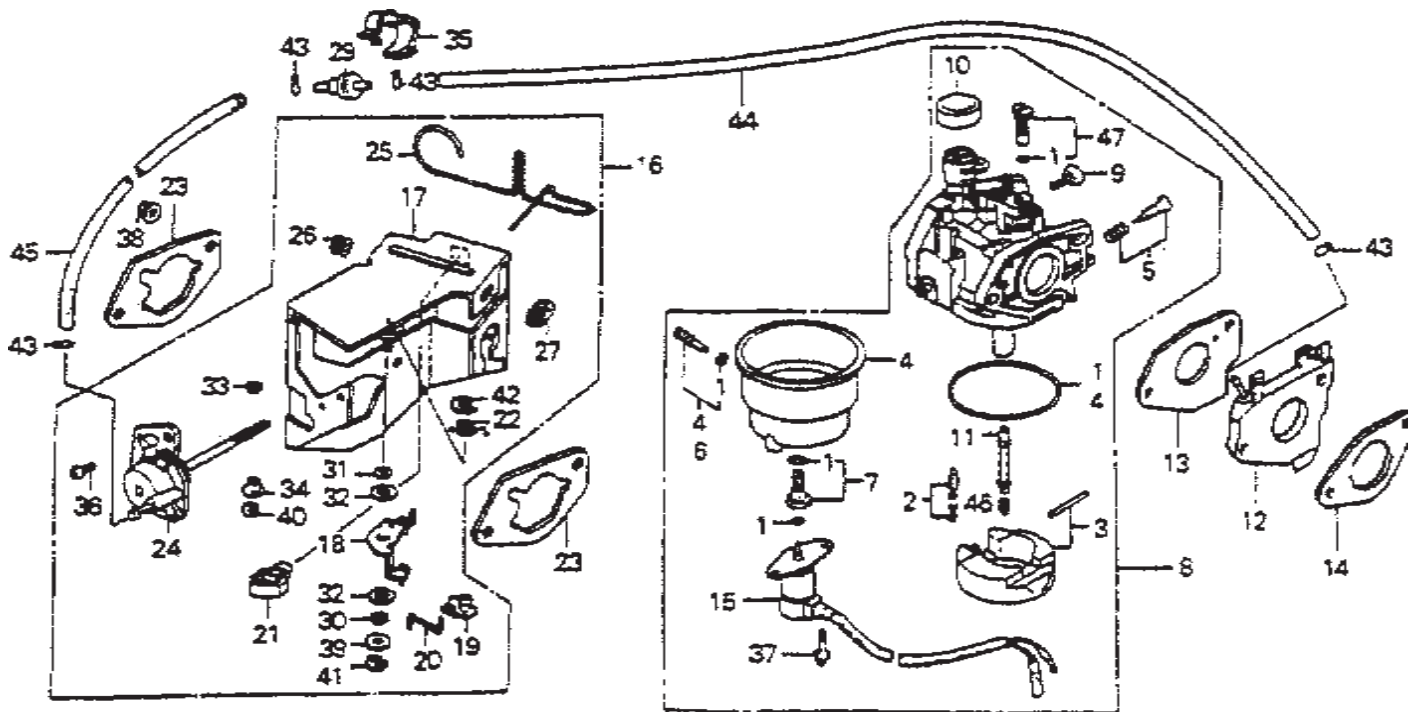
HONDA GX340K1EDN2 ENGINE — GOVERNOR CONTROLS ASSY.

GOVERNOR CONTROLS ASSY.

<u>NO</u>	<u>PART NO</u>	<u>PART NAME</u>	<u>QTY.</u>	<u>REMARKS</u>
1	16550ZE3700	ARM, GOVERNOR	1	
2	16555ZE3000	ROD, GOVERNOR	1	
3	16561ZE3000	SPRING, GOVERNOR	1	
4	16562ZE3700	SPRING, THROTTLE RETURN	1	
5	16570ZE3700	CONTROL ASSY.	1INCLUDES ITEMS W/*
6*	16584883300	SPRING, CONTROL ADJUSTING	1	
7	90013883000	BOLT, FLANGE, 6X12	1	
8	90015ZE5010	BOLT, GOVERNOR ARM	1	
9*	93500050350A	SCREW, PAN, 5X35	1	
10	9405006000	NUT, FLANGE, 6MM	1	

HONDA GX340K1EDN2 ENGINE — CARBURETOR ASSY.

CARBURETOR ASSY.



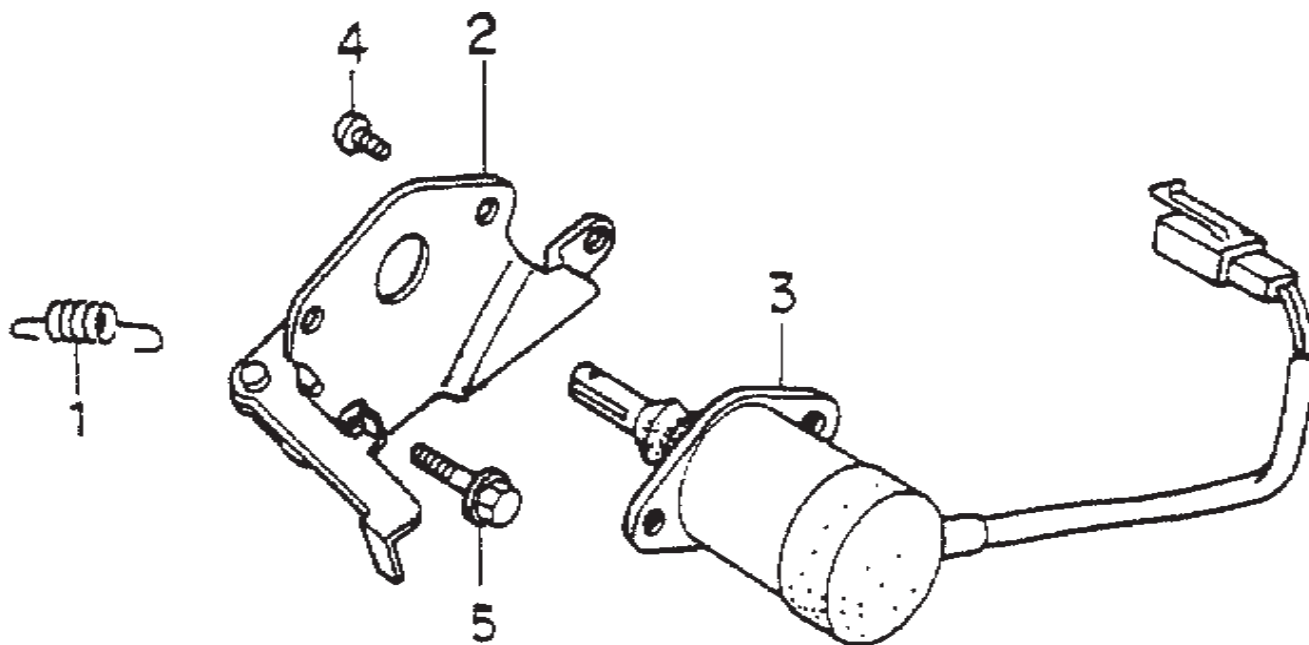
HONDA GX340K1EDN2 ENGINE — CARBURETOR ASSY.

CARBURETOR ASSY.

<u>NO</u>	<u>PART NO</u>	<u>PART NAME</u>	<u>QTY.</u>	<u>REMARKS</u>
1*	16010ZE3701	GASKET SET	1	
2*	16011ZA0931	VALVE SET, FLOAT	1	
3*	16013ZA0931	FLOAT SET	1	
4*	16015ZA0931	CHAMBER SET, FLOAT	1	
5	16016ZH7W01	SCREW SET	1	
6*	16024124761	SCREW SET, DRAIN	1	
7*	16028ZA0931	SCREW SET	1	
8	16100ZE3F10	CARBURETOR ASSY.	1	... INCLUDES ITEMS W/*
9*	16124ZE0005	SCREW, THROTTLE STOP	1	
10*	16148141881	CAP, CHOKE DUST	1	
11	16166ZE3701	NOZZLE, MAIN	1	
12	16211ZE3700	INSULATOR, CARBURETOR	1	
13	16221ZE3800	PACKING, CARBURETOR	1	
14	16223ZE3800	PACKING, INSULATOR	1	
15*	16230ZE3701	VALVE ASSY., SOLENOID	1	
16	16260ZE2722	STAY, MANUAL CHOKE	1	... INCLUDES ITEMS W/#
17#	16261ZE2702	STAY, COMP., SOLENIOD	1	
18#	16262ZE2711	LEVER, CHOKE	1	
19#	16263ZA0000	JOINT, ROD	1	
20#	16264ZE2701	ROD, CHOKE	1	
21#	16265ZE2721	STOPER, CHOKE ROD	1	
22#	16268ZE2721	SPRING, MANUAL CHOKE	1	
23	16269ZA0800	PACKING, AIR CLEANER	2	
24#	16400ZE2703	DIAPHRAGM ASSY.	1	
25#	16611ZE2711	ROD, CHOKE CONTROL	1	
26#	16613893000	GROMMET, CHOKE ROD	1	
27#	16615893000	GUIDE, CHOKE ROD	1	
29	36135ZV1003	VALVE, DASHPOT CHECK	1	
30#	53149964003	BUSH, ARM PIVOT	1	
31#	90431ZE2700	WASHER, CHOKE LEVER	1	
32#	90432ZE2700	SEAL, CHOKE LEVER	2	
33#	90433ZE2700	WASHER, THRUST	1	
34#	90434ZE2700	COLLAR, LOVER	1	
35	90650SD9003	CLIP, WIRE HARNESS	1	
36#	93500050120A	SCREW, PAN, 5X12	2	
37*	938920501208	SCREW, WASHER 5X12	2	
38	9405006000	NUT, FLANGE, 6MM	2	
39#	9410305000	WASHER, PLAIN 5MM	1	
40#	9454002010	E-RING 2MM	1	
41#	9454004010	E-RING 4MM	1	
42#	9454007010	E-RING 7MM	1	
43	9500202070	CLIP B7, TUBE	4	
44	950053507510	TUBE, 3.5X75	1	
45	950053513010	TUBE, 3.5X130	1	
46*	99101ZF50920	JET, MAIN, #92	1	
	99101ZF50950	JET, MAIN, #95	1	

HONDA GX340K1EDN2 ENGINE — SOLENOID ASSY.

SOLENOID ASSY.



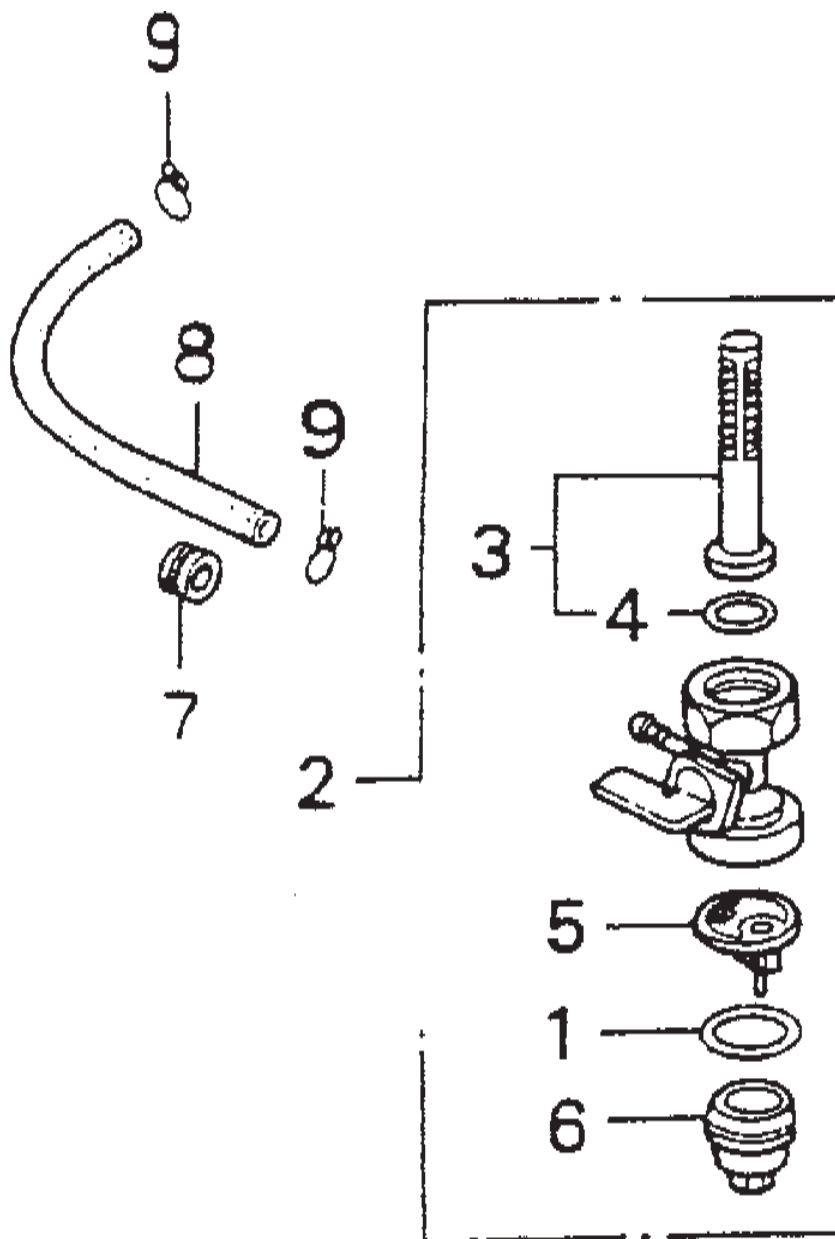
HONDA GX340K1EDN2 ENGINE — SOLENOID ASSY.

SOLENOID ASSY.

<u>NO</u>	<u>PART NO</u>	<u>PART NAME</u>	<u>QTY.</u>	<u>REMARKS</u>
1	16268893000	SPRING, CHOKE RETURN	1	
2	17850ZD1E30	LEVER COMP., THROTTLE	1	
3	36160ZB4003	SOLENOID ASSY.	1	
4	93500050080A	SCREW, PAN	2	
5	90013883000	BOLT, FLANGE, 6X2	1	

HONDA GX340K1EDN2 ENGINE — FUEL COCK ASSY.

FUEL COCK ASSY.



HONDA GX340K1EDN2 ENGINE — FUEL COCK ASSY.

FUEL COCK ASSY.

<u>NO</u>	<u>PART NO</u>	<u>PART NAME</u>	<u>QTY.</u>	<u>REMARKS</u>
1*	16173001004	PACKING, FUEL STRAINER CUP	1	
2	16950ZB4015	COCK ASSY., FUEL	1 INCLUDES ITEMS W/*
3*	16952ZB4005	SCREEN, FUEL STRAINER	1	
4*	16958397771	O-RING	1	
5*	16959471831	FILTER CUP	1	
6*	16967GA6671	CUP, FUEL STRAINER	1	
7	90854ZB2000	RUBBER, FUEL TUBE	1	
8	950014521040	TUBE, FUEL, 4.5X210	1	
9	9500202080	CLIP B8, TUBE	2	