

STARTING WITH
SERIAL #071210077

PARTS LIST MANUAL

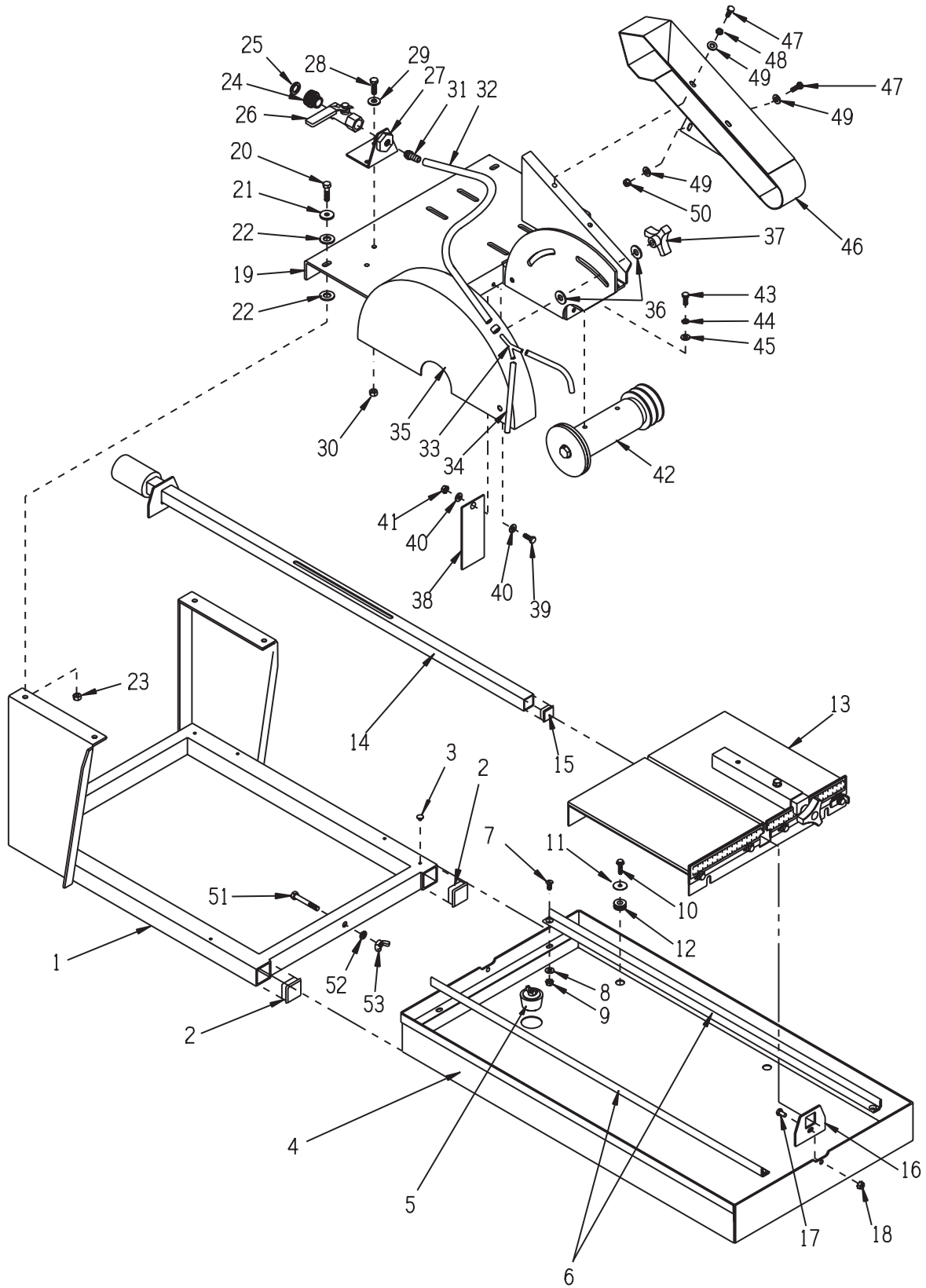


SHOWN WITH OPTIONAL PROCART

14" HARDCAPE SAWS

SKU NO.	MODEL	POWER OPTION
28500	HSS14-6S	SUBARU ROBIN ENGINE EX17D W/ CYCLONE AIR CLEANER
28600	HSS14-5.5H	HONDA ENGINE GX160U1-QXC9 W/ CYCLONE AIR CLEANER

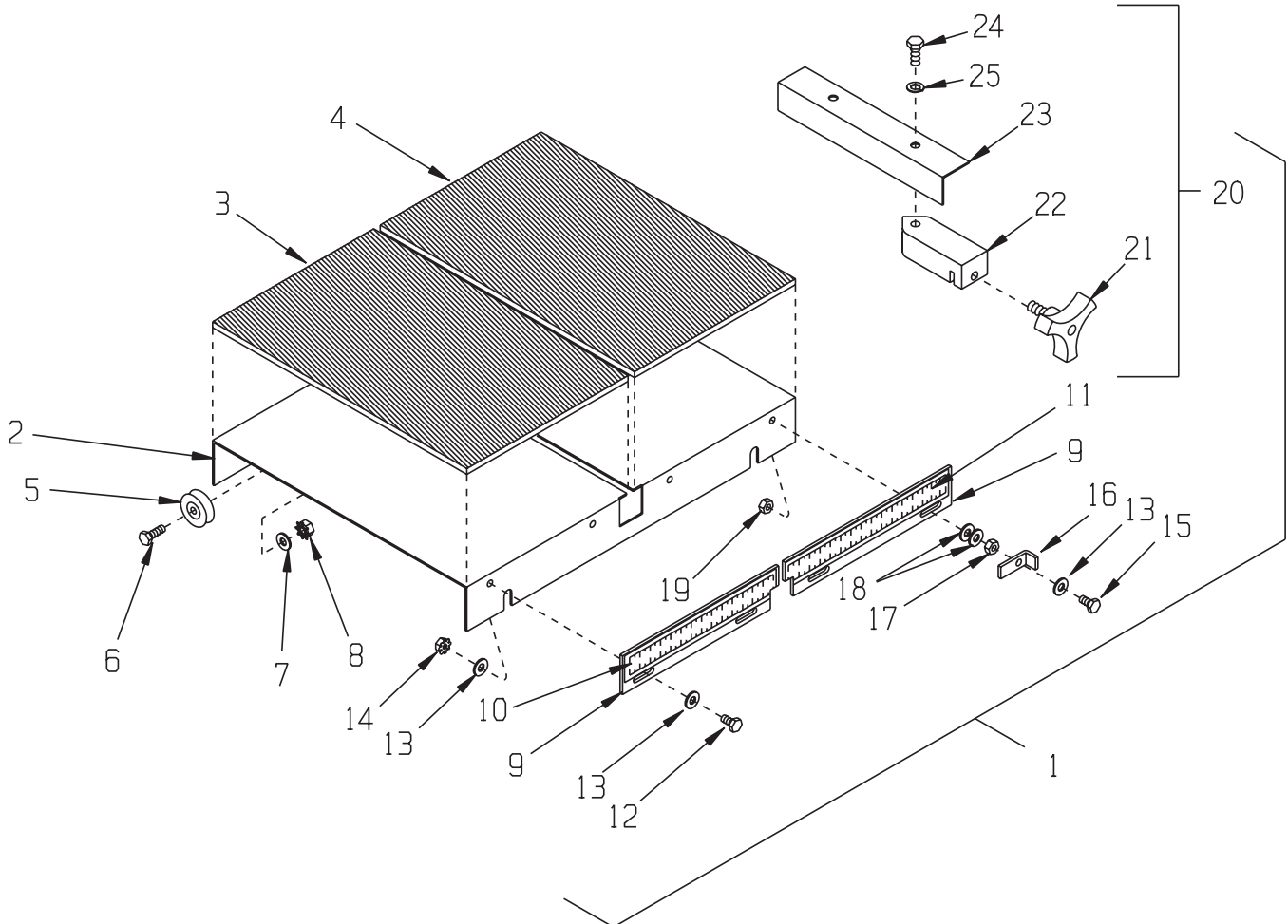
ILLUSTRATION 1 : MAIN GROUPING



PARTS LISTING - ILLUSTRATION 1: MAIN GROUPING

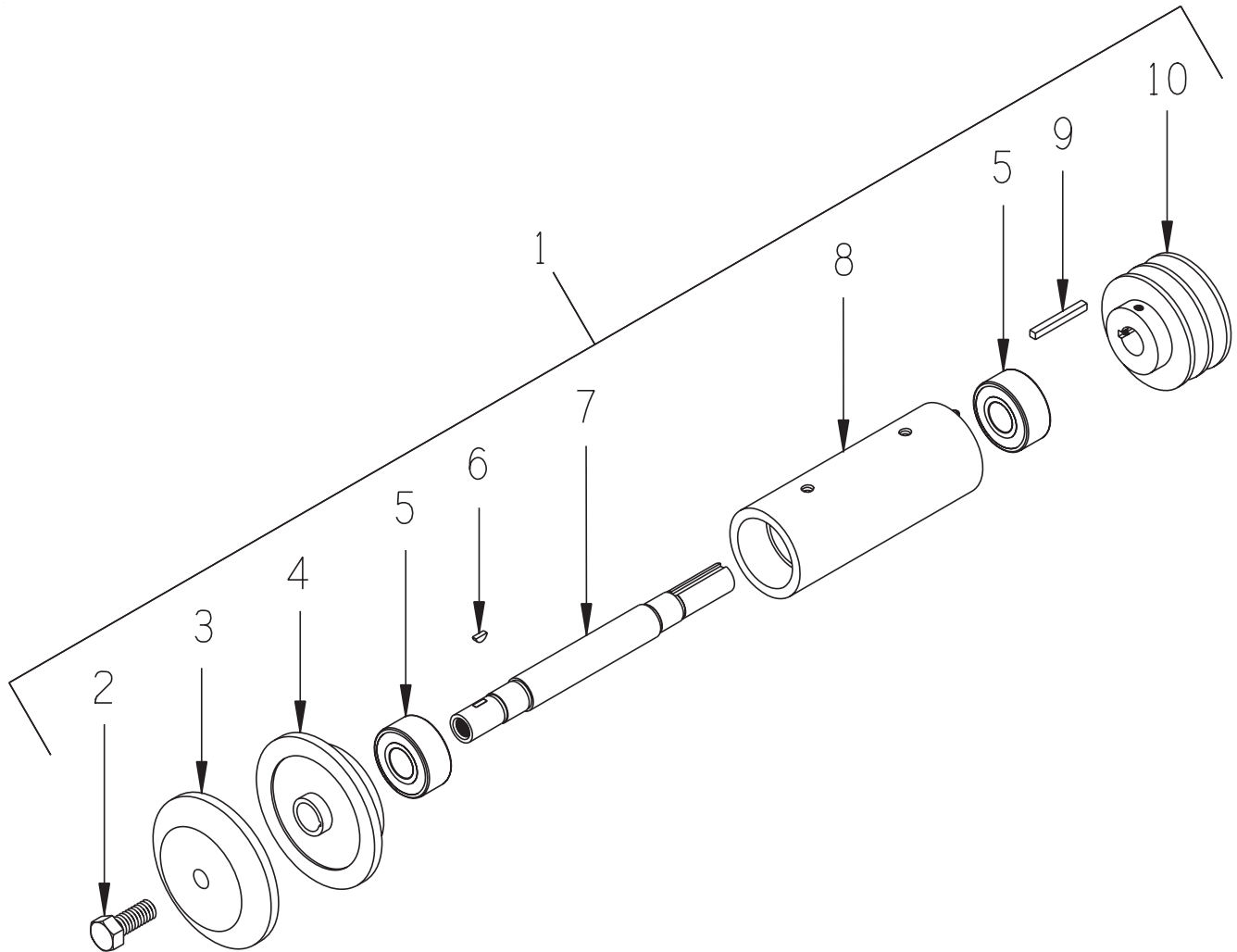
ITEM #	PART #	DESCRIPTION	QTY.	ITEM #	PART #	DESCRIPTION	QTY.
1	42301	MAIN FRAME	1	27	42310	BRACKET, WATER VALVE, HSS-14	1
2	42148	PLUG, SQ. TUBE 1-1/2 X 11 GA., BLK	2	28	10053	SCREW, CAP 5/16-18 X 3/4	2
3	42127	RIVET, NYLON PUSH-IN PANEL	4	29	10213	WASHER, FLAT 5/16 SAE	2
4	42303	PAN, HSS-14	1	30	10807	NUT, LOCK 5/16-18	2
5	40378	STOPPER ASSEMBLY 1-1/2"	1	31	42312	BARB, 5/16HOSE X 1/4MPT	1
6	42304	TRACK RAIL 36-3/4"L, HSS-14	2	32	42313	HOSE 1/4"ID X 24"L, HSS-14	1
7	11540	SCREW, FLAT HD SLT 1/4-20 X 5/8	4	33	99323	BARBED FITTING, "Y" 1/4"HOSE	1
8	10602	WASHER, FLAT 1/4 SAE	4	34	42314	HOSE 1/4"ID X 6"L, HSS-14	2
9	10861	NUT, KEPS 1/4-20	4	35	42305	GUARD, BLADE 14", HSS-14	1
10	42308	SCREW, SDHW 1/4 X 1 S.S.	4	36	10025	WASHER, FLAT 3/8 SAE	4
11	42309	WASHER, FENDER 1/4 X 1"OD (S.S.)	4	37	80011	KNOB, 3-PRONG W/ 3/8-16 THD.	2
12	57148	GROMMET 3/8ID X 1/8GRV. X 5/8GD	4	38	40012	FLAP, SPLASH 2-1/2 X 7	1
13	42315	TABLE COMPLETE, ROLLING, HSS-14 (REFER TO ILLUS. 2 FOR BREAKDOWN)	1	39	10018	SCREW, CAP 1/4-20 X 3/4	1
14	42307	VACUUM PORT TUBE, HSS-14	1	40	10602	WASHER, FLAT 1/4 SAE	2
15	51078	PLUG, SQ. TUBE 1 X 14 GA., BLACK	1	41	10861	NUT, KEPS 1/4-20	1
16	42229	MOUNTING BRKT., VACUUM PORT TUBE	1	42	40056	ARBOR ASSY. W/ SHEAVE, 14" SAWS (REFER TO ILLUS. 3 FOR BREAKDOWN)	1
17	10834	SCREW, CAP 1/4-20 X 1/2	2	43	10048	SCREW, CAP 5/16-24 X 3/4	4
18	10861	NUT, KEPS 1/4-20	2	44	10801	WASHER, LOCK 5/16	4
19	42302	DECK, ENGINE & ARBOR, HSS-14	1	45	10213	WASHER, FLAT 5/16 SAE	4
20	10021	SCREW, CAP 3/8-24 X 1	4	46	42306	COVER, BELT, HSS-14	1
21	10025	WASHER, FLAT 3/8 SAE	4	47	10018	SCREW, CAP 1/4-20 X 3/4	3
22	10312	WASHER, FLAT 1/2 SAE (USED AS A SHIM WHEN REQ'D. - QTY. 2)	4	48	10038	WASHER, LOCK 1/4	2
23	10004	NUT, LOCK 3/8-24	4	49	10602	WASHER, FLAT 1/4 SAE	4
24	80021	CONN., SWIVEL FEM. 3/4HOSE X 1/2MPT (INCLUDES ITEM 25 - HOSE WASHER)	1	50	10861	NUT, KEPS 1/4-20	1
25	10070	WASHER, HOSE 3/4	1	51	10341	SCREW, CAP 5/16-18 X 2-1/4	1
26	10711	VALVE, BALL 1/2 FPT	1	52	10801	WASHER, LOCK 5/16	1
				53	10902	NUT, WING 5/16-18	1

ILLUSTRATION 2: ROLLING TABLE ASSEMBLY

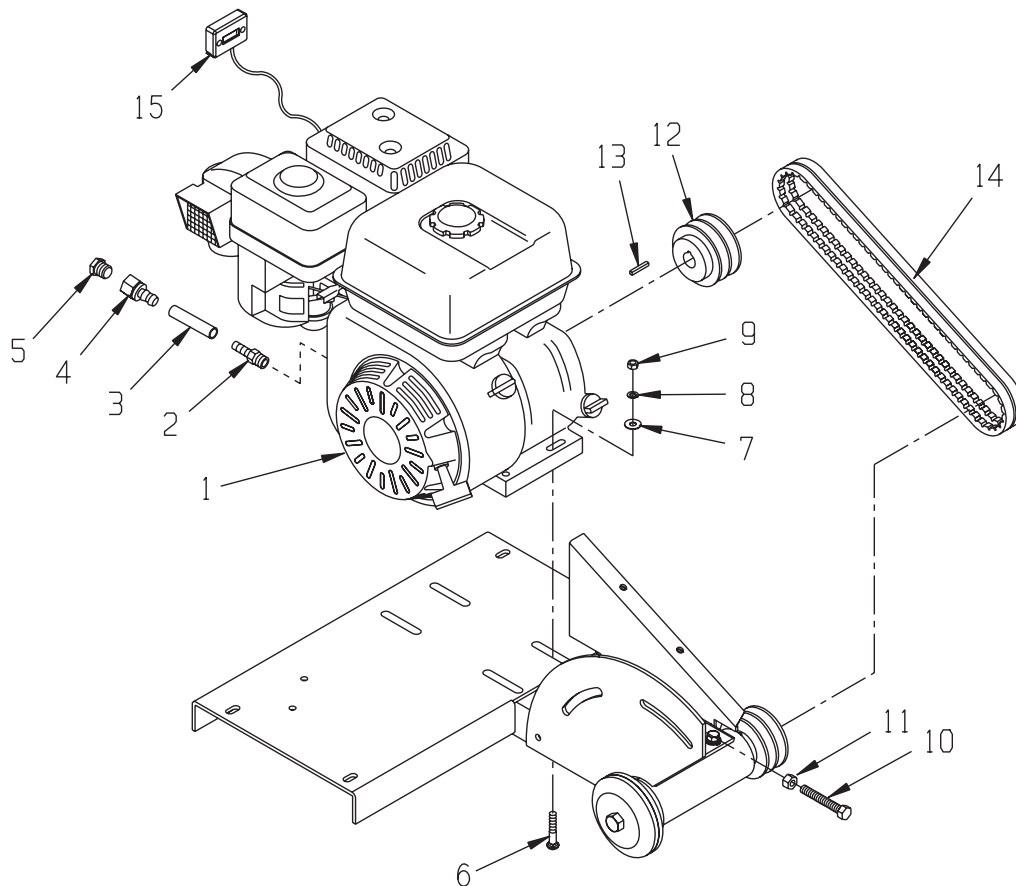


ITEM #	PART #	DESCRIPTION	QTY.	ITEM #	PART #	DESCRIPTION	QTY.
1	42315	TABLE COMPLETE, ROLLING, HSS-14 (INCLUDES ITEMS 2 THRU 25)	1	13	10602	WASHER, FLAT 1/4 SAE	7
2	42226	TABLE, ROLLING, GMS-10 & HSS-14	1	14	10861	NUT, KEPS 1/4-20	3
3	42222	RUBBER PAD 12 X 7-1/2 X 3/16	1	15	10031	SCREW, CAP 1/4-20 X 1	1
4	42221	RUBBER PAD 12 X 8 X 3/16	1	16	42106	LATCH, ROLLING TABLE	1
5	14082	PULLEY BEARING 1-1/4DIA. X 1/4BORE (A.K.A. TRACK WHEEL)	4	17	10013	NUT 1/4-20	1
6	10031	SCREW, CAP 1/4-20 X 1	4	18	11704	WASHER, FLAT .257 X .624 X .060THK	2
7	10602	WASHER, FLAT 1/4 SAE	4	19	10015	NUT, LOCK 1/4-20	1
8	10861	NUT, KEPS 1/4-20	4	20	40689A	GUIDE ASSY., CUT, UNIVERSAL (INCLUDES ITEMS 21 THRU 25)	1
9	42311	TABLE FRONT PANEL, HSS-14 (2 PCS.)	1	21	40425	KNOB, 3-PRONG W/ 3/8-16 X 5/8 STUD	1
10	40423	RULE, ADHESIVE-BACKED, 1-13, R-L	1	22	42015	BLOCK, CUT GUIDE, MASONRY SAW	1
11	40424	RULE, ADHESIVE-BACKED, 1-7, L-R	1	23	40689	BRACKET, CUT GUIDE, UNIVERSAL	1
12	10018	SCREW, CAP 1/4-20 X 3/4	3	24	10053	SCREW, CAP 5/16-18 X 3/4	1
				25	10801	WASHER, LOCK 5/16	1

ILLUSTRATION 3: ARBOR ASSEMBLY



ITEM #	PART #	DESCRIPTION	QTY.
1	40056	ARBOR ASSY. W/ SHEAVE (INCLUDES ITEMS 2 - 10)	1
2	10321	SCREW, CAP 1/2-20 X 1-1/4	1
3	40023	ARBOR BLADE CAP 4", MASONRY SAW	1
4	40022	ARBOR BACKING PLATE 4", MASONRY SAW	1
5	40018	BEARING, RADIAL BALL 20X47X20.6MM	2
6	40036	KEY, WOODRUFF 1/8 X 3/8 (#403)	1
7	40021	ARBOR SHAFT 8-7/8"L	1
8	40020	ARBOR HOUSING	1
9	10170	KEY 3/16SQ X 1-3/4	1
10	40005	SHEAVE 3"OD X 2 GR.A X 3/4"BORE	1

ILLUSTRATION 4: ENGINE GROUPING

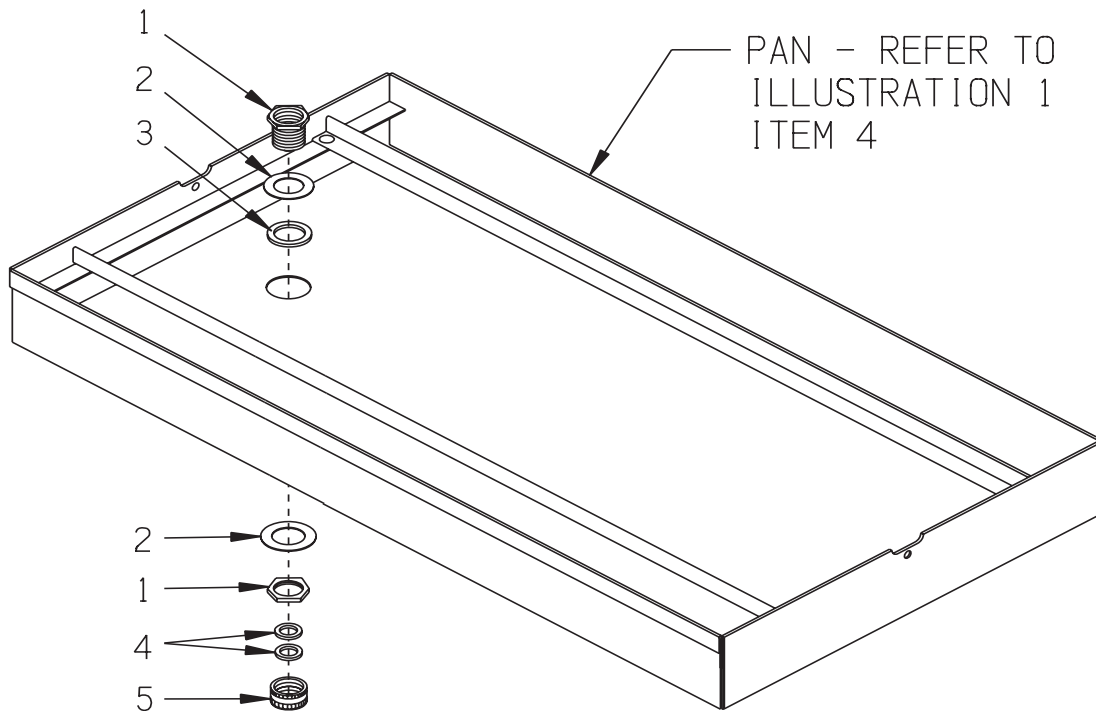
ITEM #	PART #	DESCRIPTION	QTY.
1		ENGINE W/ CYCLONE AIR CLEANER	1
	15061	SUBARU ROBIN EX17D CYC. A.C.	
	40387	HONDA GX160U1-QXC9 CYC.A.C. (SHOWN)	
2		BARB, PUSH-ON	1
	10657	3/8"HOSE X 1/4MPT (SUBARU)	
	11541	3/8"HOSE X 10mm X 1.25 MALE THD. (HONDA)	
3	56116	HOSE, PUSH-ON 3/8"ID X 3"L	1
4	11544	BARB, PUSH-ON 3/8 HOSE X 1/4FPT	1
5	10776	PIPE PLUG 1/4 NPT (BRASS)	1
6	10918	BOLT, CARRIAGE 5/16-18 X 1-3/4 F.T.	4
7	10213	WASHER, FLAT 5/16 SAE	4
8	10801	WASHER, LOCK 5/16	4
9	10054	NUT 5/16-18	4
10	10410	BOLT, TAP 3/8-16 X 2-1/2 (FULL THD)	1
11	10404	NUT 3/8-16	1
12	40005	SHEAVE 3"OD X 2 GR.A X 3/4"BORE	1
13	-----	KEY 3/16"SQ. (INCLUDED W/ ENGINE)	1
14	10233	BELT AX-34	2
15	15138	METER, HOUR, REDINGTON INDUCTIVE (OPTIONAL)	1

ILLUSTRATION 5: OPTIONAL DRAIN ASSEMBLY

PART# 42250

INCLUDES ITEMS SHOWN BELOW

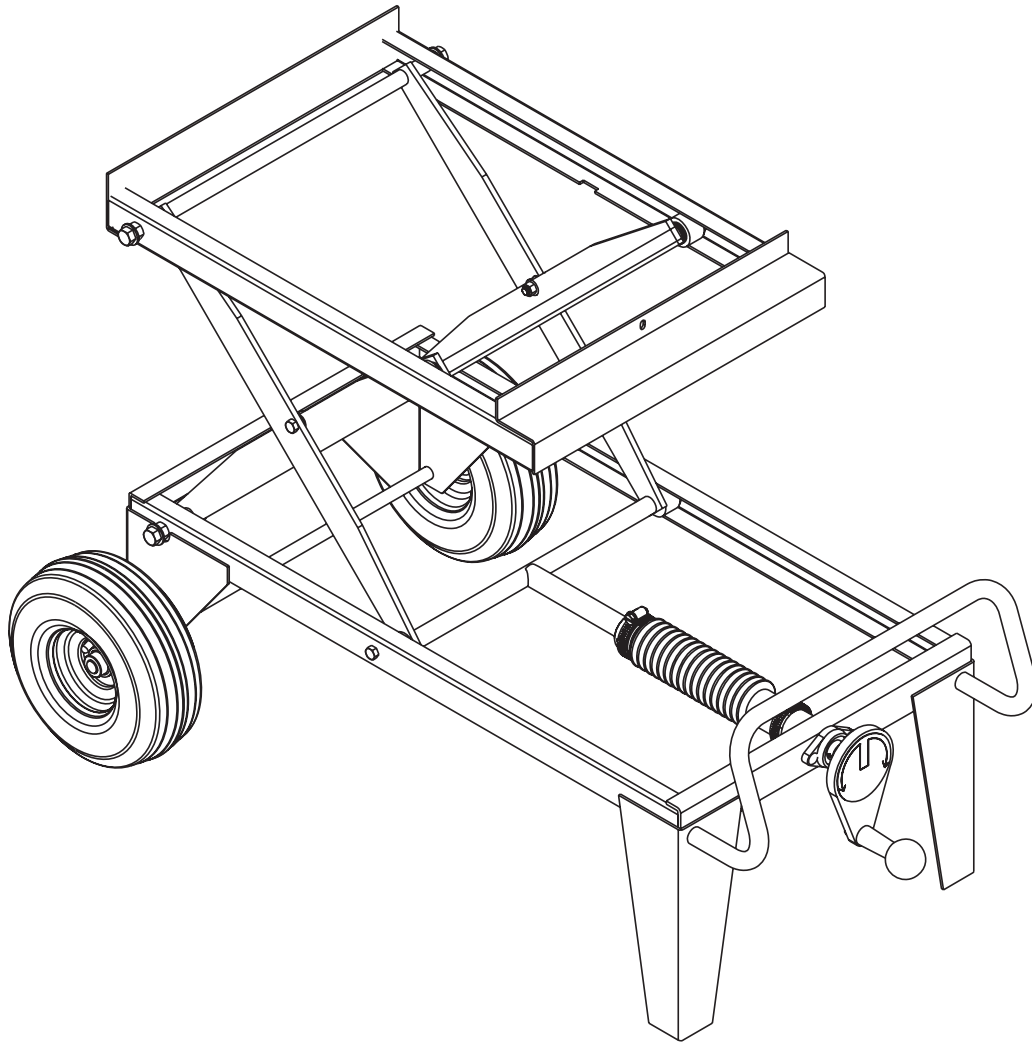
USE IN PLACE OF DRAIN PLUG
(ILLUSTRATION 1 - ITEM 5)



ITEM #	PART #	DESCRIPTION	QTY.
1	42251	FITTING, DRAIN 3/4NH X 1/2FPT (BRASS) (INCLUDES THIN JAM NUT)	1
2	10444	WASHER, ALUM. 1.885ODX1.060IDX .040	2
3	42252	WASHER, RUBBER 1-1/16IDX1-1/2ODX1/8	1
4	10070	WASHER, HOSE 3/4	2
5	42253	CAP, HOSE END (BRASS)	1

ILLUSTRATION 6: OPTIONAL PROCART

PART# 24750



ADJUSTABLE SCISSOR STYLE CART

REFER TO THE PROCART PARTS LIST MANUAL
FOR THE PARTS BREAKDOWN INFORMATION

ILLUSTRATION 7: OPTIONAL FOLDING STAND

PART# 24150

