



Illustrated Parts Breakdown

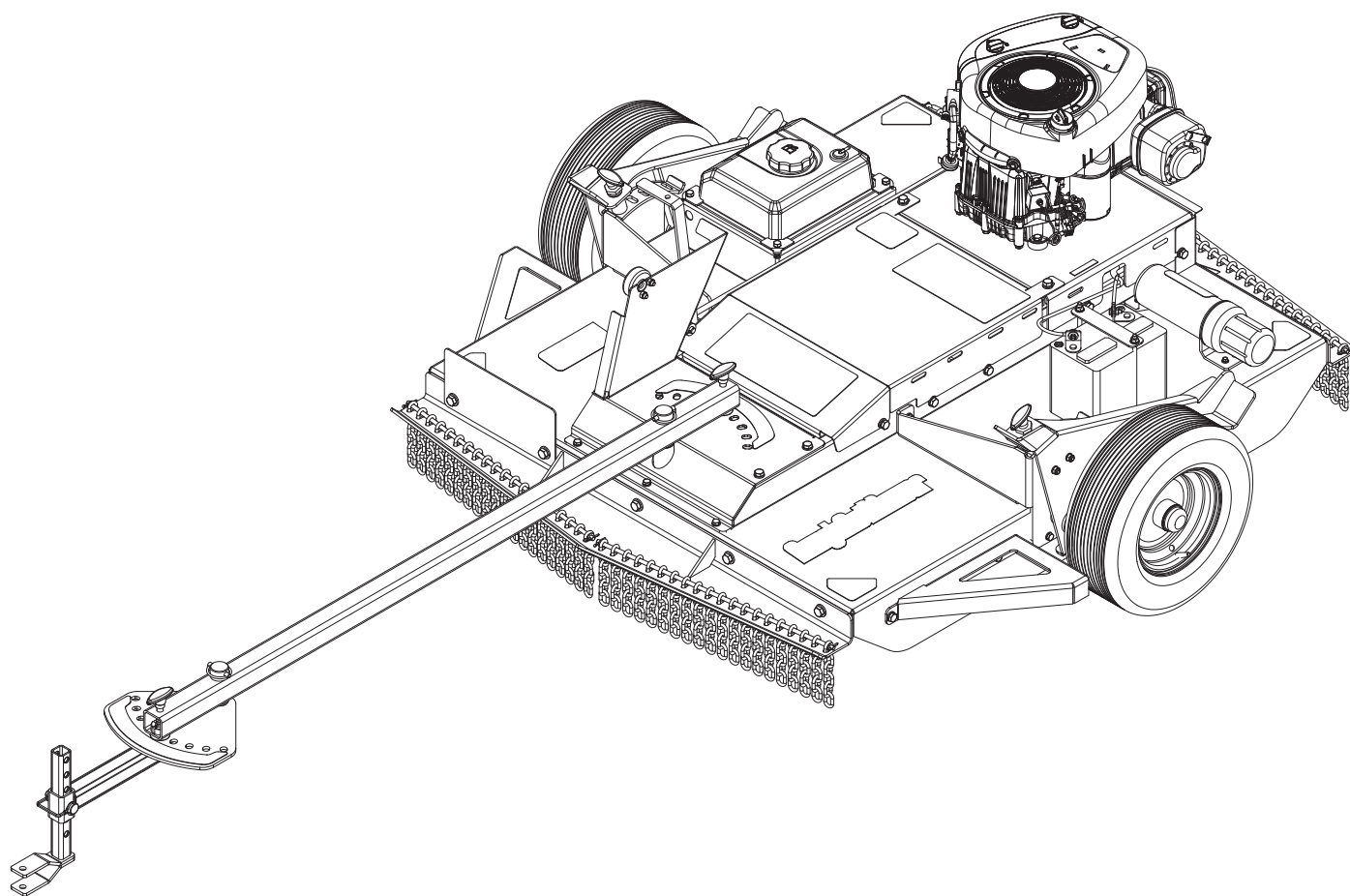
ACREAGE™
Rough Cut Mower

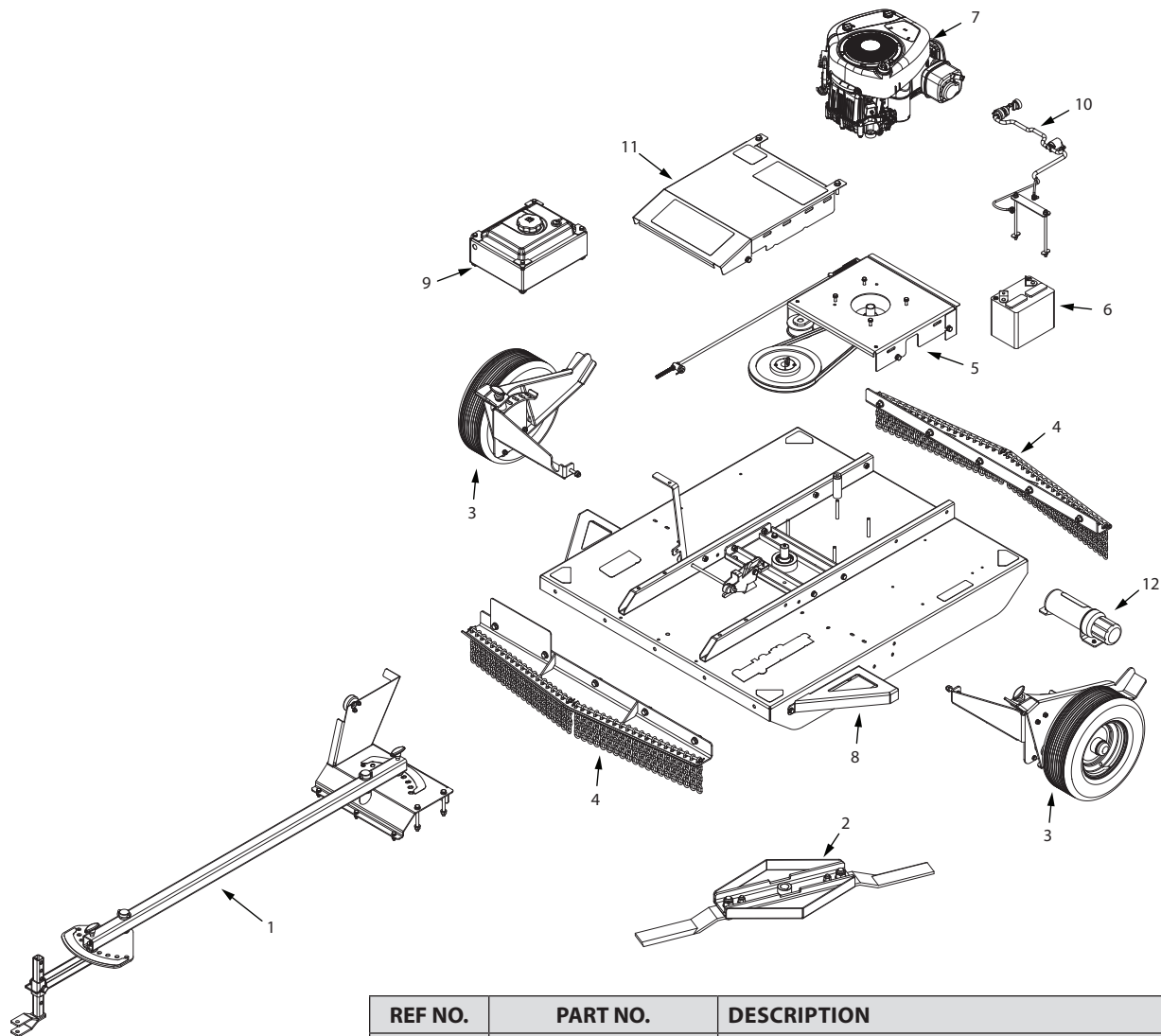
Model #'s: RC4432

ENGLISH

FRANÇAIS

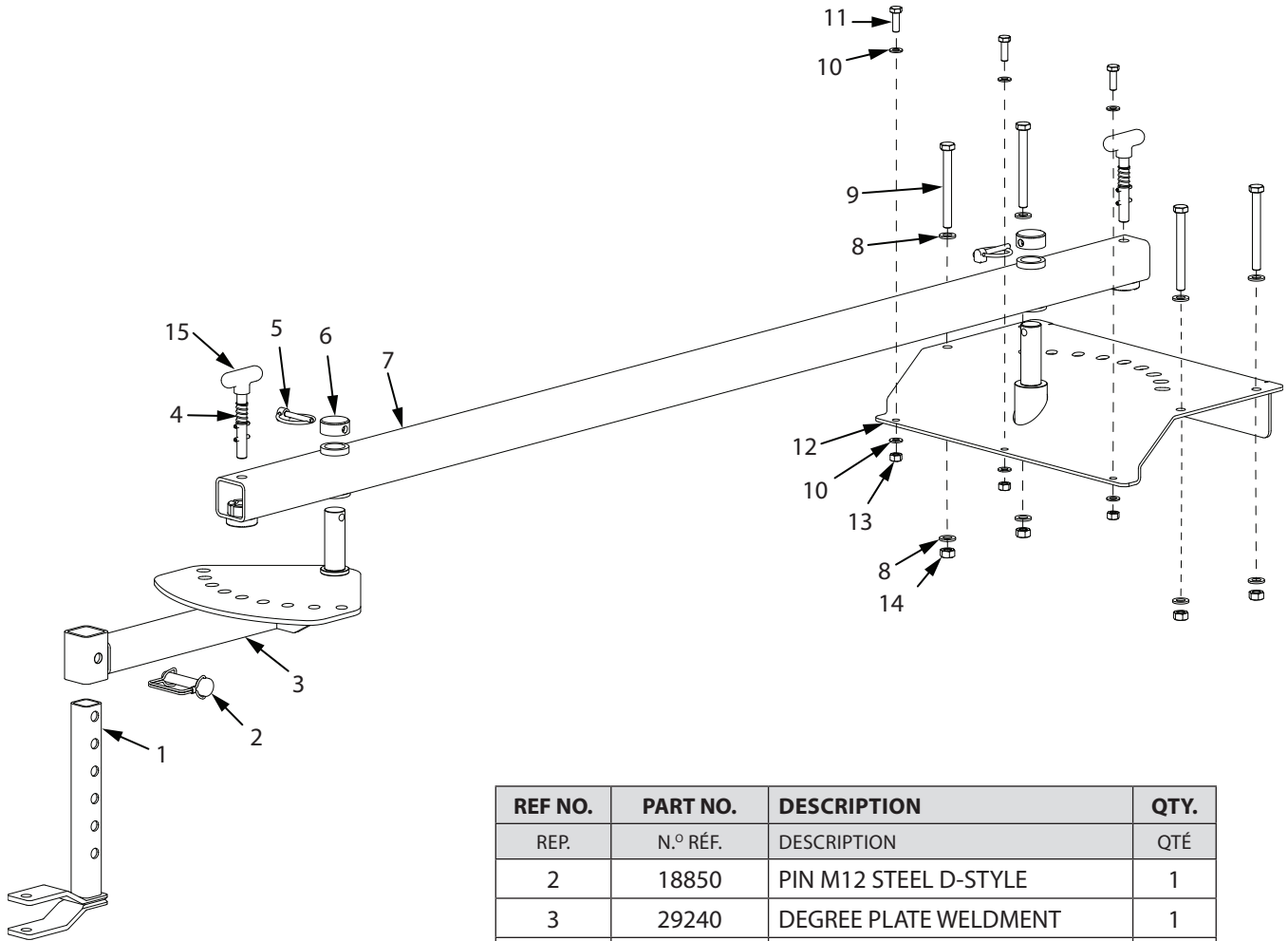
S/N





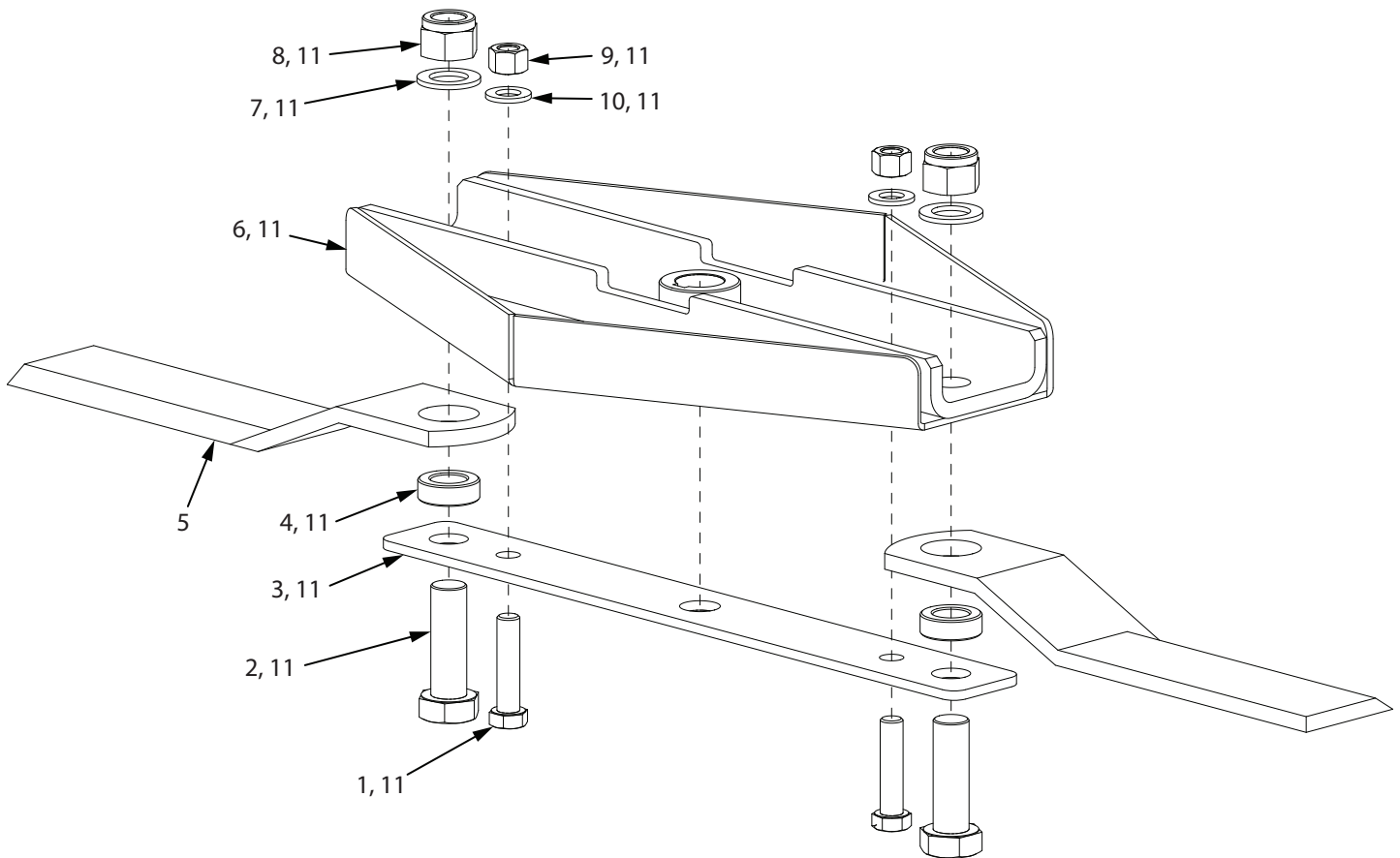
REF NO.	PART NO.	DESCRIPTION	QTY.
REP.	N.º RÉF.	DESCRIPTION	QTÉ
1	SEE PAGE 3	TONGUE/HITCH GROUP	1
2	SEE PAGE 4	BLADE GROUP	1
3	SEE PAGE 5	WHEEL GROUP	2
4	SEE PAGE 6	BRUSH GUARDS GROUP	2
5	SEE PAGE 12-13	ENGINE MOUNT GROUP	1
6	21574	BATTERY LEAD ACID 165CCA	1
7	24569	17.5 HP BRIGGS	1
8	SEE PAGES 10-11	MOWER DECK GROUP	1
9	SEE PAGE 9	GAS TANK GROUP	1
10	SEE PAGE 7	WIRING HARNESS GROUP	1
11	SEE PAGE 8	PULLEY COVER GROUP	1
12	SEE PAGE 8	MANUAL GROUP	1

ILLUSTRATED PARTS BREAKDOWN - Tongue/Hitch Group



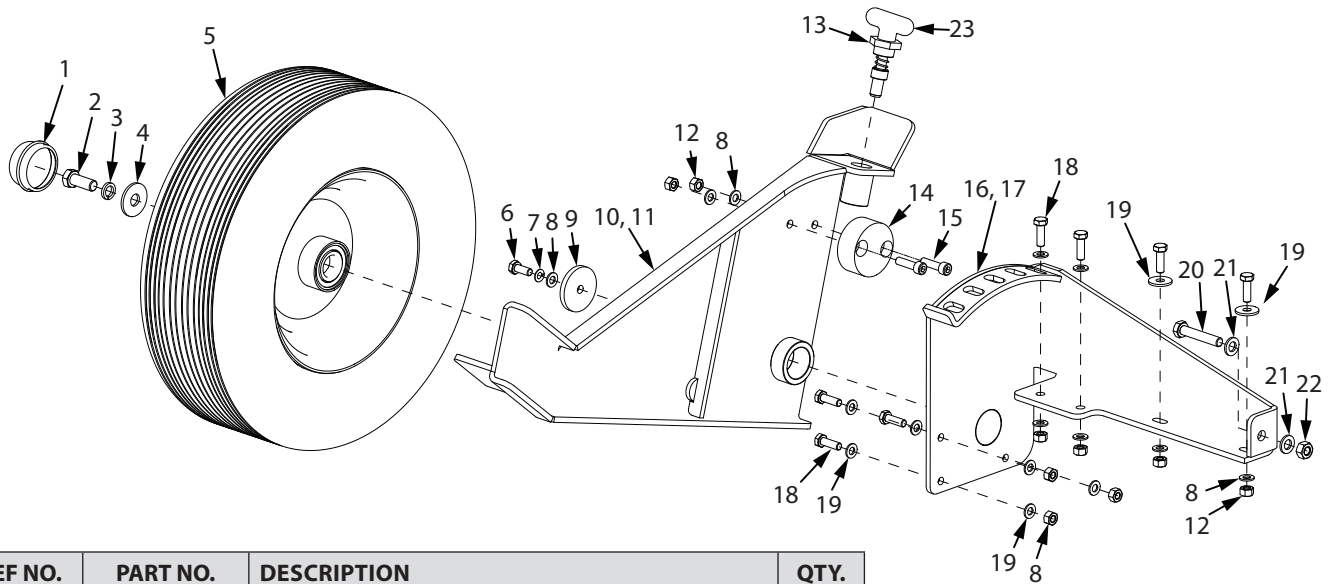
REF NO.	PART NO.	DESCRIPTION	QTY.
REP.	N.º RÉF.	DESCRIPTION	QTÉ
2	18850	PIN M12 STEEL D-STYLE	1
3	29240	DEGREE PLATE WELDMENT	1
4	29314	KIT TONGUE LATCH PIN	2
5	18847	LOCK PIN RING	2
6	21647	CAP SHAFT MOUNT	2
7	21575	TOW BAR WELDMENT	1
8	2431	WASHER M10 X 20 X 2 FLAT	8
9	21642	BOLT M10 X 1.5 X 100 HEX	4
10	400024	WASHER M8 X 16 X 1.6 FLAT	6
11	13826	BOLT M8 X 1.25 X 25 HEX	3
12	29238	DECK MOUNT TOW BAR	1
13	400023	NUT M8 NYLOC	3
14	W1265V0903	NUT M10 NYLOC	4
15	29311	HANDLE	4

ILLUSTRATED PARTS BREAKDOWN - Blade Group



REF NO.	PART NO.	DESCRIPTION	QTY.
REP.	N.º RÉF.	DESCRIPTION	QTÉ
1	33957	BOLT M14 X 55 HEX	2
2	21669	BOLT M22 X 70 HEX	2
3	21665	BOTTOM BRACE BLADE MOUNT	1
4	21667	BUSHING BLADE MOUNT	2
5	21666	BLADE ROUGH CUT MOWER	2
6	21664	BLADE MOUNT WELDMENT	1
7	21674	WASHER M22 X 39 X 3 FLAT	2
8	21671	NUT M22 X 1.5 NYLOC	2
9	21670	NUT M14 X 1.5 NYLOC	2
10	21673	WASHER M14 X 28 X 2.8 FLAT	2
11	21873	BLADE MOUNT ASSEMBLY	1

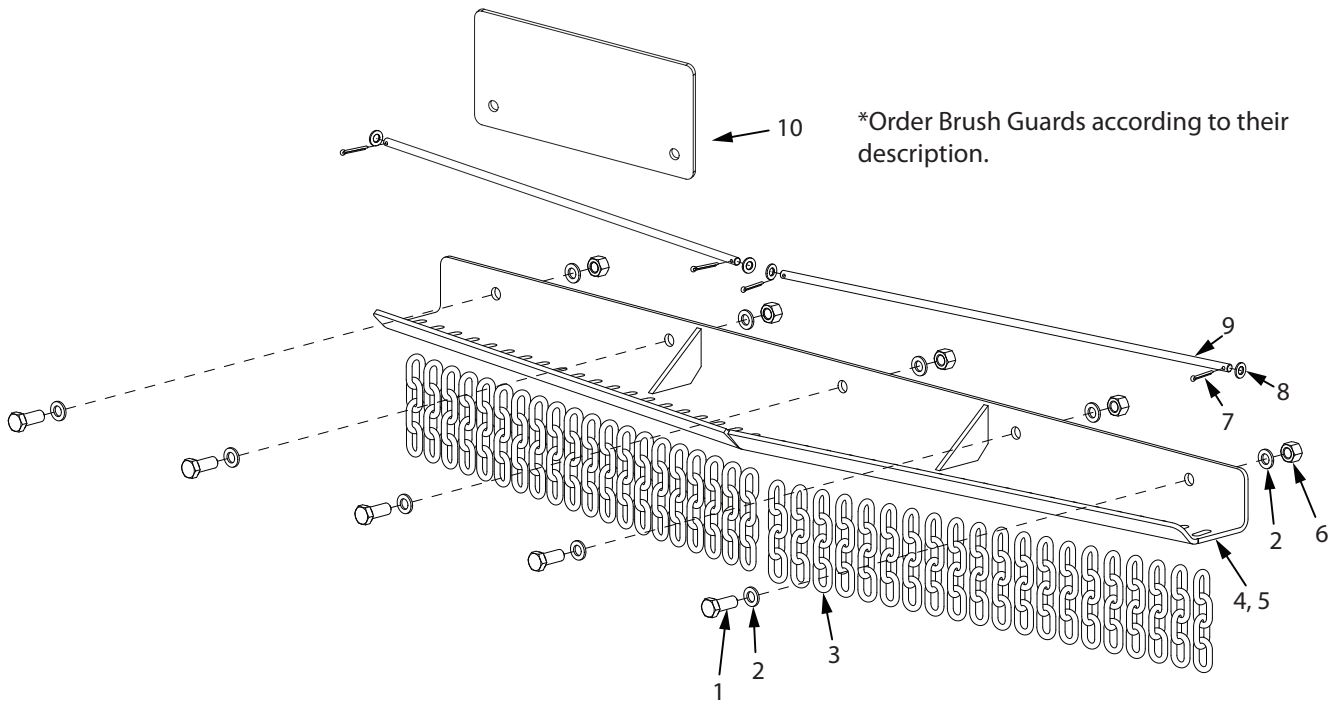
ILLUSTRATED PARTS BREAKDOWN - Wheel Group



REF NO.	PART NO.	DESCRIPTION	QTY.
REP.	N.º RÉF.	DESCRIPTION	QTÉ
1	21611	WHEEL CAP	1
2	21613	BOLT M12 X 1.75 X 30 HEX	1
3	21615	WASHER M12 SPRING LOCK	1
4	21614	WASHER M12 X 37 X 3 FLAT	1
5	29262	WHEEL AND TIRE ASSEMBLY	1
6	18106	BOLT M8 X 1.25 X 20 HEX	1
7	21640	WASHER M8 SPRING LOCK	1
8	400024	WASHER M8 X 16 X 1.6 FLAT	13
9	21641	BUSHING RETAINER	1
10	21623*	WHEEL HUB BATTERY BOX SIDE	1
11	21602*	WHEEL HUB GAS TANK SIDE	1
12	400023	NUT M8 NYLOC	9
13	29313	WHEEL LATCH PIN ASSEMBLY	1
14	21616	WHEEL HUB SPACER	1
15	21618	BOLT M8 X 1.25 X 30 SOCKET	2
16	21635*	DECK HEIGHT ADJUSTER BATTERY BOX SIDE	1
17	23494*	DECK HEIGHT ADJUSTER ENGAGE LEVER SIDE	1
18	13826	BOLT M8 X 1.25 X 25 HEX	7
19	3245	WASHER M8 X 24 X 2.2 FLAT	2
20	21600	BOLT M10 X 1.5 X 55 HEX	1
21	2431	WASHER M10 X 20 X 2 FLAT	2
22	W1265V0903	NUT M10 NYLOC	1
23	29313	HANDLE PIN	4

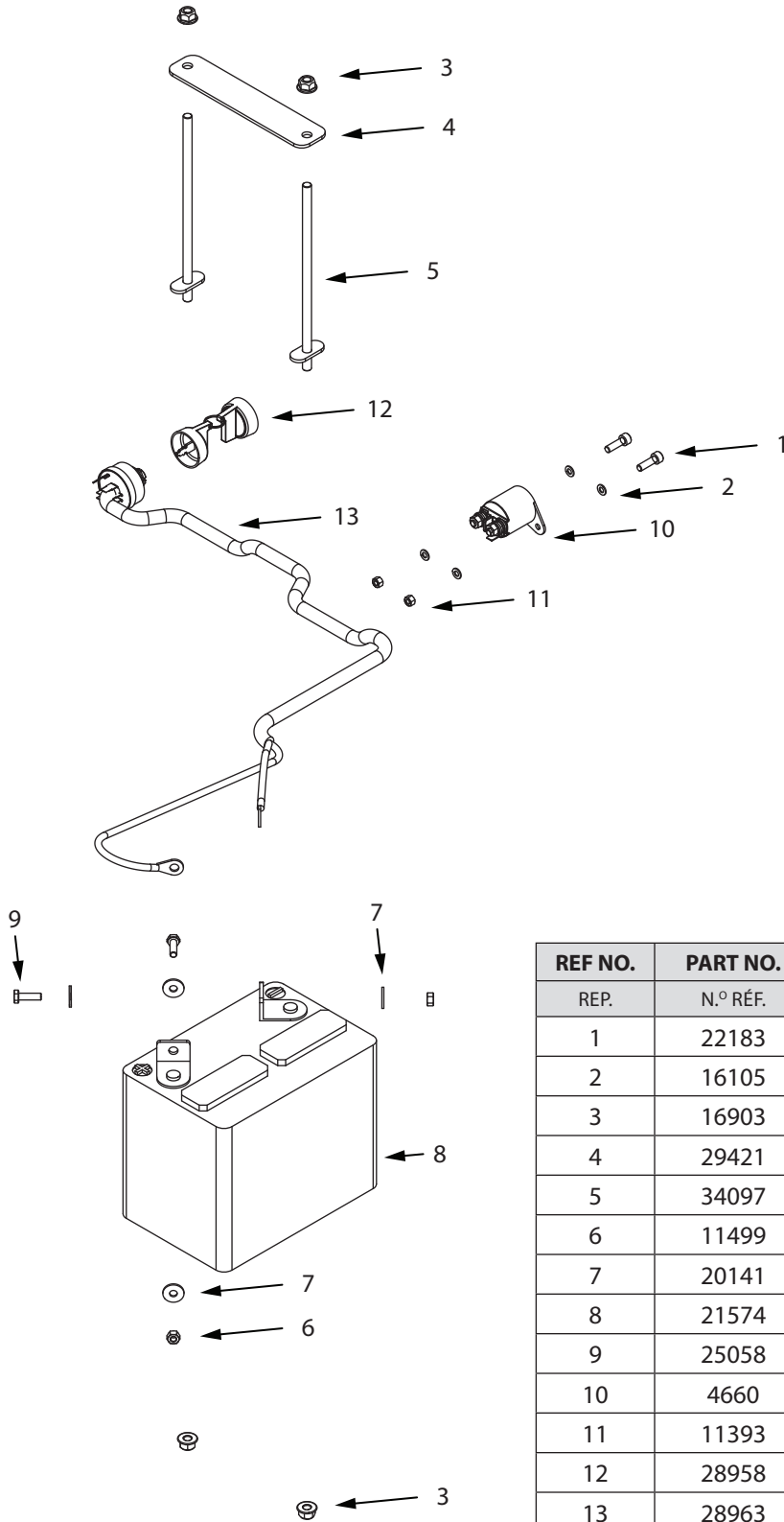
*Order Wheel Hubs and Deck Height Adjusters according to their description.

ILLUSTRATED PARTS BREAKDOWN - Brush Guards Group



REF NO.	PART NO.	DESCRIPTION	QTY.
REP.	N.º RÉF.	DESCRIPTION	QTÉ
1	21613	BOLT M12 X 1.75 X 30 HEX	5
2	21632	WASHER M12 X 24 X 2.5 FLAT	10
3	21354	CHAIN ASSEMBLY	40
4	29254*	BRUSH GUARD TOW BAR SIDE	1
5	29148*	BRUSH GUARD ENGINE SIDE	1
6	18274	NUT M12 NYLOC	5
7	21304	COTTER PIN	4
8	400024	WASHER M8 X 16 X 1.6 FLAT	4
9	21374	ROD CHAIN MOUNT	2
10	29256	DEFLECTOR	1

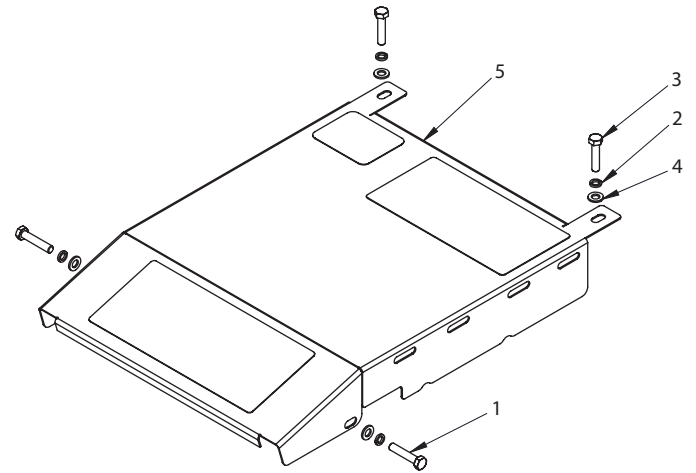
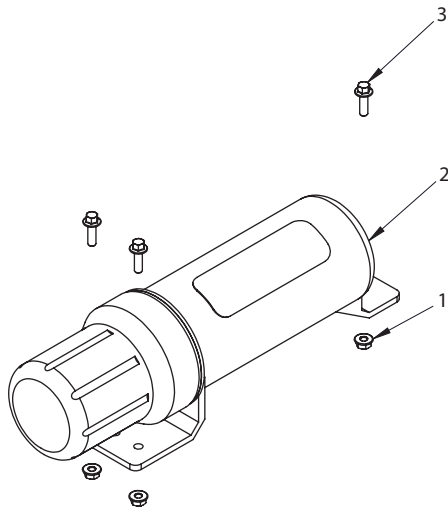
ILLUSTRATED PARTS BREAKDOWN - Wiring Harness Group



REF NO.	PART NO.	DESCRIPTION	QTY.
REP.	N.º RÉF.	DESCRIPTION	QTÉ
1	22183	BOLT M5 X 0.8 X 20 HEX HEAD	2
2	16105	WASHER M5 X 10 X 1.0 FLAT	4
3	16903	NUT M10 NYLOC	4
4	29421	BRACKET BATTERY TIE DOWN	1
5	34097	POST BATTERY TIE DOWN	2
6	11499	NUT M6 NYLOC	2
7	20141	WASHER M6 X 12 X 1.6 FLAT	4
8	21574	BATTERY LEAD ACID 165 CCA	1
9	25058	BOLT M6 X 1.0 X 20 HEX	2
10	4660	SOLENOID	1
11	11393	NUT M5 NYLOC	2
12	28958	KEY SET	1
13	28963	WIRE HARNESS	1

ILLUSTRATED PARTS BREAKDOWN - Manual Group

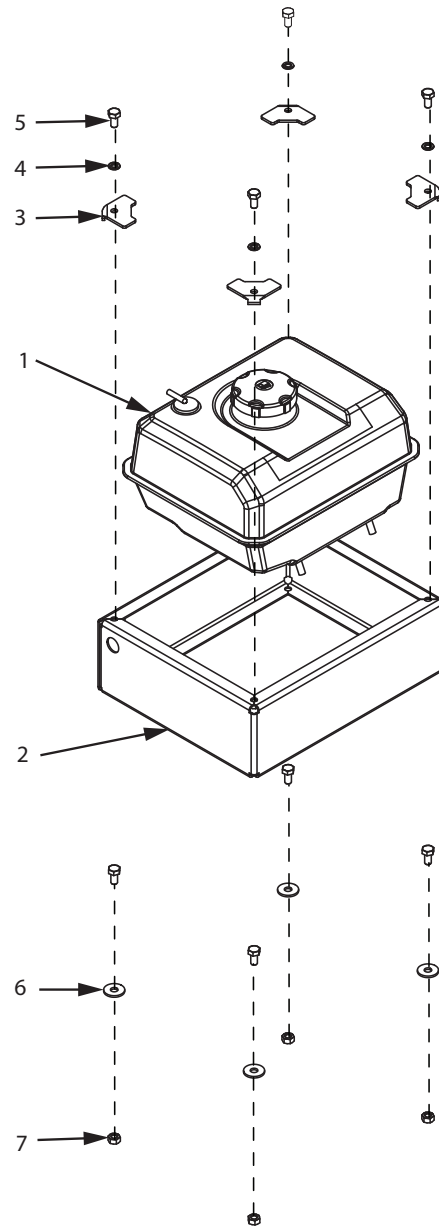
ILLUSTRATED PARTS BREAKDOWN - Pulley Cover Group



REF NO.	PART NO.	DESCRIPTION	QTY.
REP.	N.º RÉF.	DESCRIPTION	QTÉ
1	13599	M6 NUT	3
2	21655	MANUAL CANISTER MAIN BODY	1
3	25058	M6 BOLT	3

REF NO.	PART NO.	DESCRIPTION	QTY.
REP.	N.º RÉF.	DESCRIPTION	QTÉ
1	20145	M10 BOLT	2
2	21656	WASHER M10 SPRING LOCK	4
3	24176	M10 BOLT	2
4	2431	WASHER M10 FLAT	4
5	29208	HATCH PANEL ASSEMBLY	1

ILLUSTRATED PARTS BREAKDOWN - Gas Tank Group



REF NO.	PART NO.	DESCRIPTION	QTY.
REP.	N.º RÉF.	DESCRIPTION	QTÉ
1	21654	GAS TANK RC4432	1
2	23424	ASSEMBLY GAS TANK BOX	1
3	23426	CUSTOM WASHER	4
4	W1200114	WASHER M8 X 1.9 SPRLK BLK OX HIGH COLLAR	4
5	17984	BOLT M8 X 1.25 X 16 HEX	8
6	3245	WASHER M8 8.4MM X 24MM X 2.2MM ZN	4
7	W1265V0900	NUT M8 X 1.25 HNYLK GR8.8 ZN	4

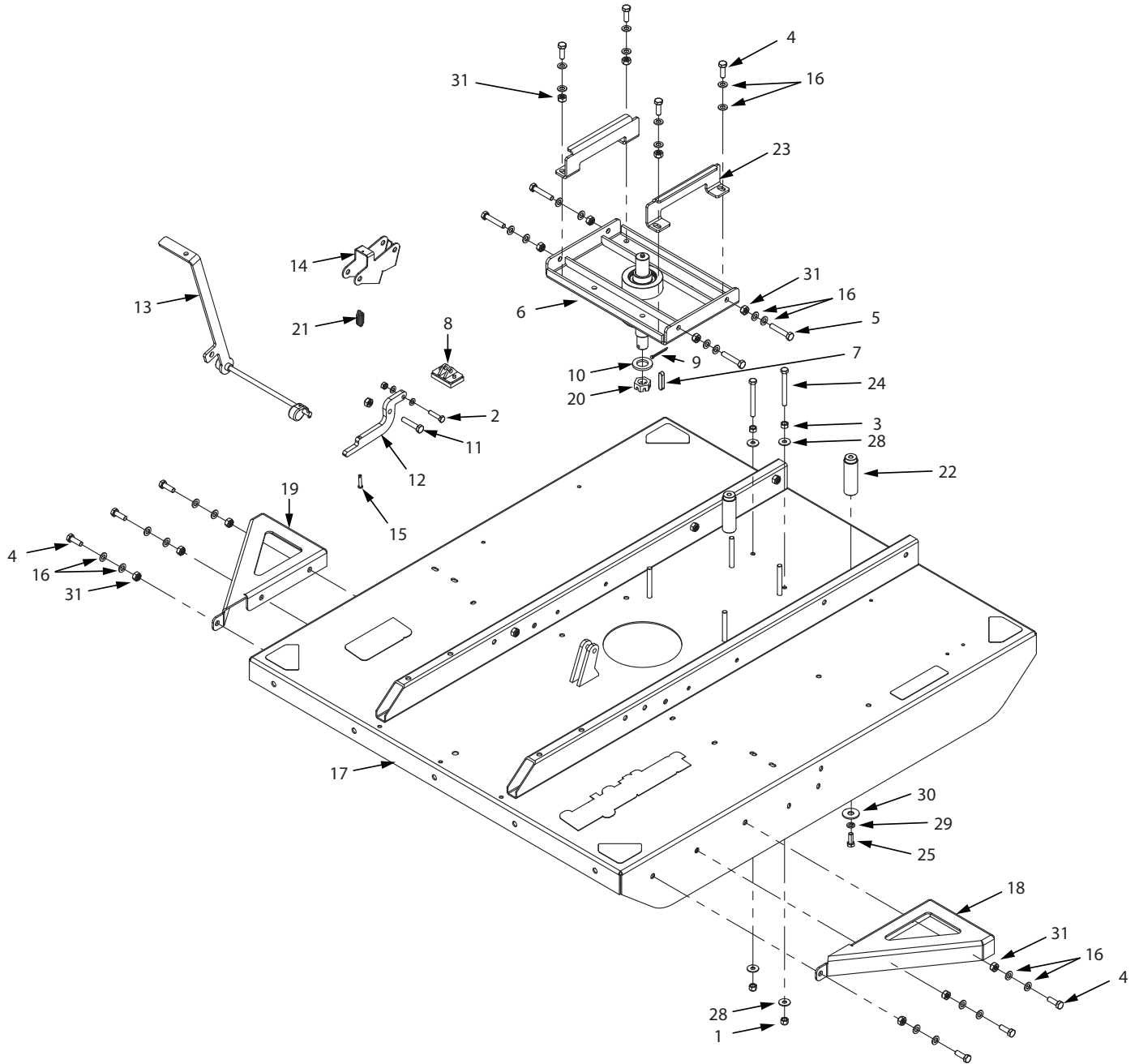
ILLUSTRATED PARTS BREAKDOWN - Mower Deck Group

REF NO.	PART NO.	DESCRIPTION	QTY.
REP.	N.º RÉF.	DESCRIPTION	QTÉ
1	1662	NUT3/8X16X29/64 IN NYLK GR5 ZN	2
2	20816	BOLT M8X1.25X35 MM HHCS GR8.8 ZN F-T	1
3	2108	NUT 3/8X16X21/64 IN GR5 ZN	2
4	21247	BOLT M10X1.5X30 HHCS GR8.8 ZN	10
5	21600	BOLT M10X1.5X55 MM HHCS GR8.8 ZN P-T	4
6	21690	ASSEMBLY DRIVE SHAFT MOWER	1
7	21692	KEY 45 X 8 X 10 MM X 5 RADIUS	1
8	21704	ASSEMBLY DRIVE BRAKE	1
9	21715	PIN COTTER 4 OD X 44 MM LONG	1
10	21717	WASHER M24X44X4.6 MM GR8.8 ZN	1
11	22937	BOLT M10X1.5X50 HH GR8.8 ZN F-T	1
12	23410	ARM BRAKE ENGAGE	1
13	23411	ASSEMBLY CAM	1
14	23417	CAM ROD BRACKET	1
15	24115	BRAKE PIN	1
16	2431	WASHER M10X20X2.0 MM GR8.8 ZN	29
17	29218	ASSY DECK GREY WITH DECALS	1
18	29221	WHEEL GUARD LEFT RED	1
19	29222	WHEEL GUARD RIGHT RED	1

REF NO.	PART NO.	DESCRIPTION	QTY.
20	21716	NUT M24X3.0X15 MM HCASTLE GR8.8 ZN	1
21	34286	SPRING EXT 37X16X2.2 MM 11COIL 7.94 NMM	1
22	34531	MOUNT PIVOT 30X93.2 MM	1
23	34554	GUIDE BELT ANGLE RC	2
24	34613	BOLT 3/8X16X3.5 IN HH GR5 ZN P-T	2
25	34614	BOLT 3/8X16X1.0 IN HH GR8 ZN F-T	1
26	400023	NUT M8X1.25 MM HNYLK GR8.8 ZN	1
27	400024	WASHER M8X16X1.6 MM GR8.8 ZN	2
28	60005040	WASHER 3/8X1.0X.083 IN GR8 ZN	4
29	719	WASHER 3/8X0.68X0.14 IN SPLK ZN	1
30	10811	WASHER M12X37X3.0 MM GR8.8 ZN	1
31	W1265V0903	NUT M10X1.5 MM HNYLK GR8.8 ZN	15

* Deck cannot be replaced

ILLUSTRATED PARTS BREAKDOWN - Mower Deck Group



ILLUSTRATED PARTS BREAKDOWN - Engine Mount Group

REF NO.	PART NO.	DESCRIPTION	QTY.
REP.	N.º RÉF.	DESCRIPTION	QTÉ
1	13826	BOLT M6X1.0X45 HHCS GR8.8 ZN	1
2	19124	BOLT M10X1.5X25 MM HHF GR8.8 ZN F-T	1
3	20145	BOLT M10X1.5X50 MM HHCS GR8.8 ZN P-T	3
4	20816	BOLT M8X1.25X35 MM HHCS GR8.8 ZN F-T	4
5	21304	PIN COTTER 3.2 OD X 30 MM LONG	2
6	21595	BUSHING STEEL 28 OD X 9 ID X 3 MM DEEP	1
7	21598	MOUNT ENGAUGE ROD	1
8	21600	BOLT M6X1.0X45 HHCS GR8.8 ZN	1
9	21632	WASHER M12 X 24 X 2.5 MM GR8.8 ZN	2
10	21640	WASHER M8X13.95X1.6 MM SPRLK GR8.8 ZN	1
11	21659	MOUNT SPRING	1
12	21660	SPRING 20.5MM X 19 COILS X 3MM WIRE	1
13	21691	KEY 30 X 7 X 8 MM X 4 RADIUS	1
14	21693	ASSY PULLEY 30 MM ID 254 MM EFF OD	1
15	21694	KEY 31.35 X 5 X 6.35 MM X 3.18 RADIUS	1
16	21699	WELDMENT IDLER PULLEY PIVOT ARM	1
17	21700	PULLEY 85MM	1
18	21701	BELT GATES SB57 5LXA1469	1
19	21702	BEARING BALL 6005-2RZ 25X47X12 MM	2
20	22044	SPACER 32 OD X 26.3 ID X 45 MM ENGINE	1
21	22077	ASSY PULLEY 25.4 MM ID 108 MM EFF OD	1
22	22547	SPACER 32 OD X 26.3ID X 13 MM	1
23	23427	ROD 10OD X 930 LG M10X1.5X70 AND 26 MM	1
24	24098	MOUNT ENGAUGE ROD FRONT	1
25	2431	WASHER M10X20X2.0 MM GR8.8 ZN	5

REF NO.	PART NO.	DESCRIPTION	QTY.
26	29263	WELDMENT ENGINE MOUNT PANEL RED	1
27	29384	ASSY IGN SW PANEL WITH DECAL	1
28	29387	NUT M10X1.5X5 MM H JAM GR8.8 ZN	4
29	30697	WASHER M10X15.4X2.6 SPRLK GR8.8 ZN	6
30	3238	BOLT M6X1.0X45 HHCS GR8.8 ZN	1
31	34299	BOLT 7/16-20X1-3/8 IN HHCS GR8 ZN F-T	1
32	34302	SPRING COMP 91.5X15X2.0 MM 15COIL	1
33	34533	PIVOT ARM TO IDLER ARM	1
34	34574	CONNECTING ROD PULLEY PIVOTS	1
35	34614	BOLT 3/8X16X1.0 IN HH GR8 ZN F-T	1
36	34615	PIN COTTER 1/8X1.0 IN ZN	2
37	400023	NUT M8X1.25 MM HNYLK GR8.8 ZN	4
38	400024	WASHER M8X16X1.6 MM GR8.8 ZN	9
39	719	WASHER 3/8X0.68X0.14 IN SPLK ZN	1
40	8841	WASHER 7/16X25/32X7/64 IN SPRLK GR5 ZN	1
41	10811	WASHER M12X37X3.0 MM GR8.8 ZN	6
42	WF716	WASHER 7/16 X 1-1/4 X 0.08 IN GR8 YL ZN	1

ILLUSTRATED PARTS BREAKDOWN - Engine Mount Group

