

REVISED STARTING
SERIAL # 120110002

PARTS LIST MANUAL

GASOLINE POWER TROWEL



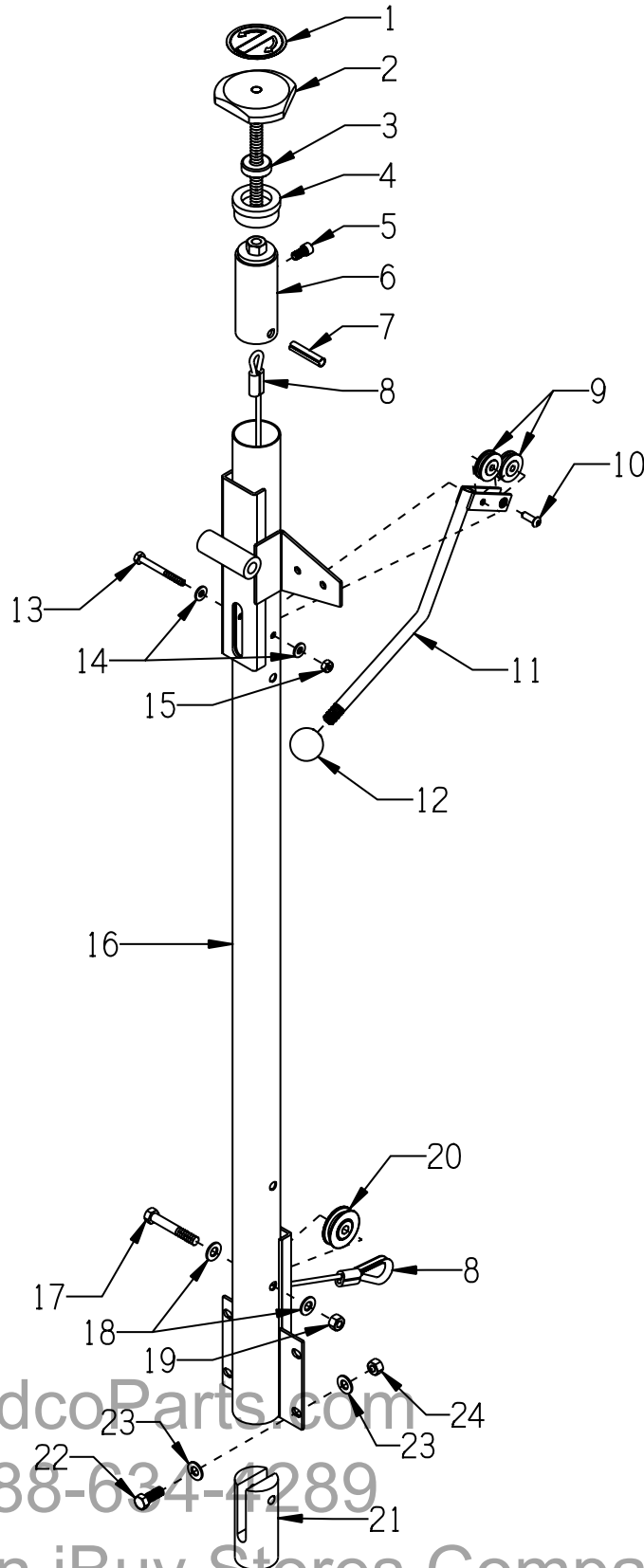
SKU #	MODEL #	SIZE	RPM	ENGINE MODEL
85400	T244-4H	24"	140*	HONDA GX120 GASOLINE ENGINE WITH DUAL ELEMENT AIR CLEANER
85600	T244RS-4H	24"	70**	
85500	T304-5.5H	30"	140*	HONDA GX160 GASOLINE ENGINE WITH DUAL ELEMENT AIR CLEANER
85700	T304RS-5.5H	30"	70**	
85800	T364RS-5.5H	36"	70**	
85900	T364RS-9H	36"	70**	HONDA GX270 GASOLINE ENGINE WITH DUAL ELEMENT AIR CLEANER
86100	T464RS-9H	46"	70**	

*STANDARD SPEED CONCRETE POWER TROWELS

**REDUCED SPEED EPOXY MORTAR POWER TROWELS

An iBuy Stores Company

ILLUSTRATION 1: HANDLE BAR, PITCH LEVER & CONTROL KNOB GROUPING



**PARTS LISTING - ILLUSTRATION 1 :
HANDLE BAR, PITCH LEVER & CONTROL KNOB GROUPING**

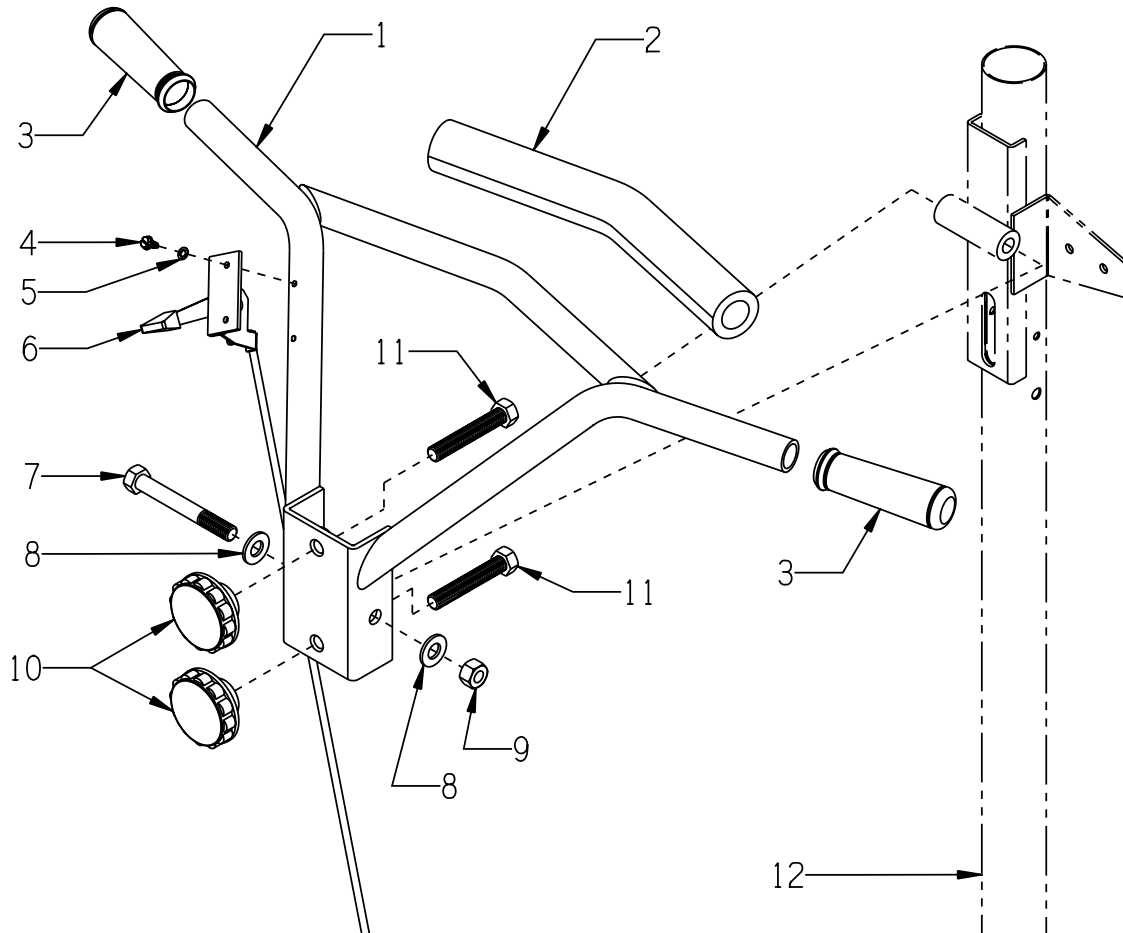
ITEM #	PART #	DESCRIPTION	QTY.
1	3661	DECAL, BLADE ANGLE - FLAT/TILT	1
2	49014	KNOB, CONTROL W/ 1/2-13 X 6-3/4"ROD	1
3	3642	BEARING, THRUST BALL 1/2	1
4	36078	HANDLE TOP INSERT	1
5	11639	SCREW, SKT. HD. CAP 5/16-18 X 5/8	1
6	36080	LINKAGE	1
7	10063	PIN, ROLL 3/8 X 2	1
8	36082	CABLE, CONTROL 3/16 X 51"L INCLUDES:	1
	4610	CABLE, THIMBLE 3/16"	1
	3618	SLEEVE, 3/16" CABLE OVAL NICOPRESS	2
9	14082	PULLEY BEARING 1-1/4DIA. X 1/4BORE	2
10	10884	SCREW, SKT. BUTTON HD. 1/4-20 X 3/4	1
11	36081	LEVER, PITCH	1
12	14023	KNOB, BALL 1-3/8 W/ 1/2-13THD, BLK.	1
13	11658	SCREW, CAP 1/4-20 X 2-3/4 (CUT 2-1/2"L)	1
14	10602	WASHER, FLAT 1/4 SAE ZINC	2
15	10150	NUT, HEX NYLON LOCK 1/4-20	1
16	36070	HANDLE BAR	1
17	10393	SCREW, CAP 3/8-24 X 2-1/2	1
18	10025	WASHER, FLAT 3/8 SAE ZINC	2
19	10058	NUT, LOCK 3/8-24 W/ NYLON PATCH	1
20	3621	PULLEY BEARING 1-3/4DIA. X 3/8BORE	1
21	36077	ROLLER GUIDE	1
22	10021	SCREW, CAP 3/8-24 X 1	4
23	10025	WASHER, FLAT 3/8 SAE ZINC	4
24	10004	NUT, HEX LOCK 3/8-24 ZINC	4

EdcoParts.com

888-634-4289

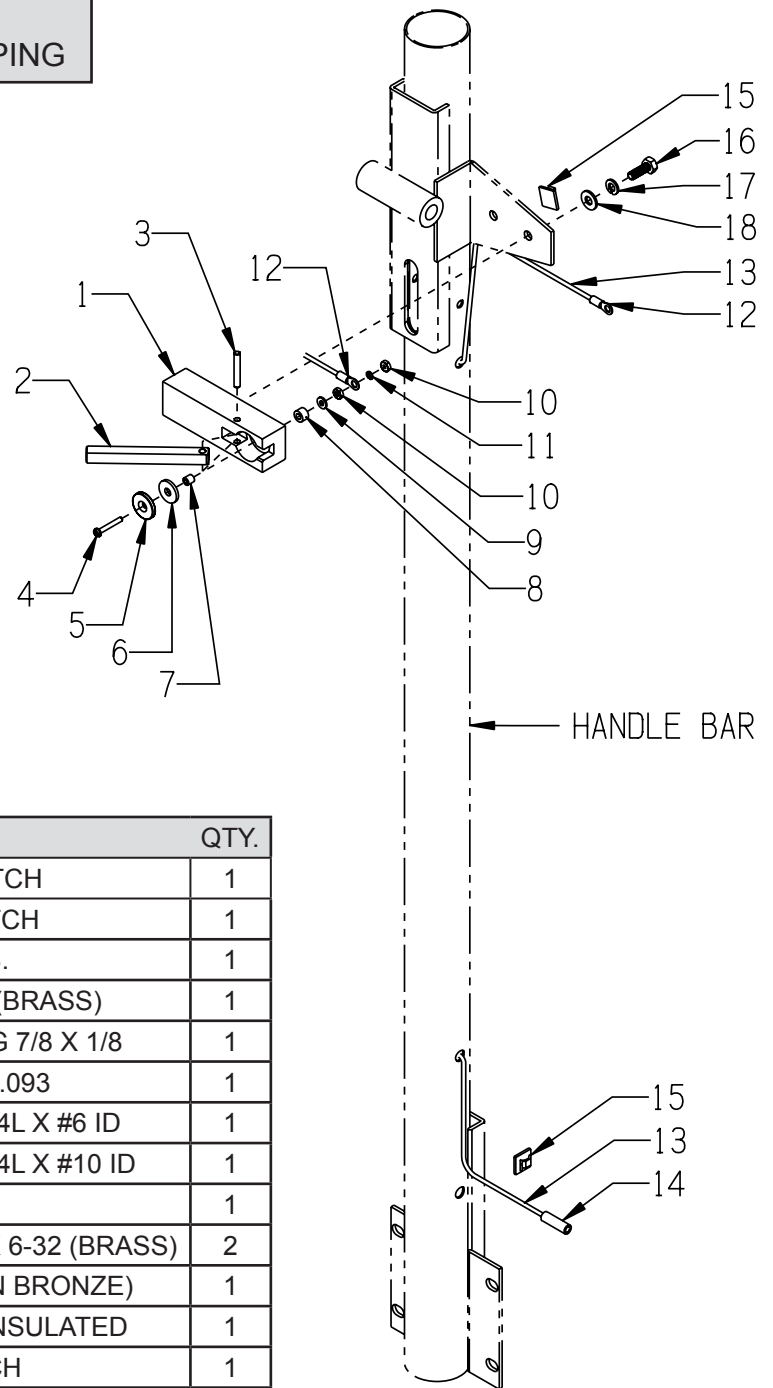
An iBuy Stores Company

ILLUSTRATION 2 : ADJUSTABLE HANDLE BELLY BAR GROUPING



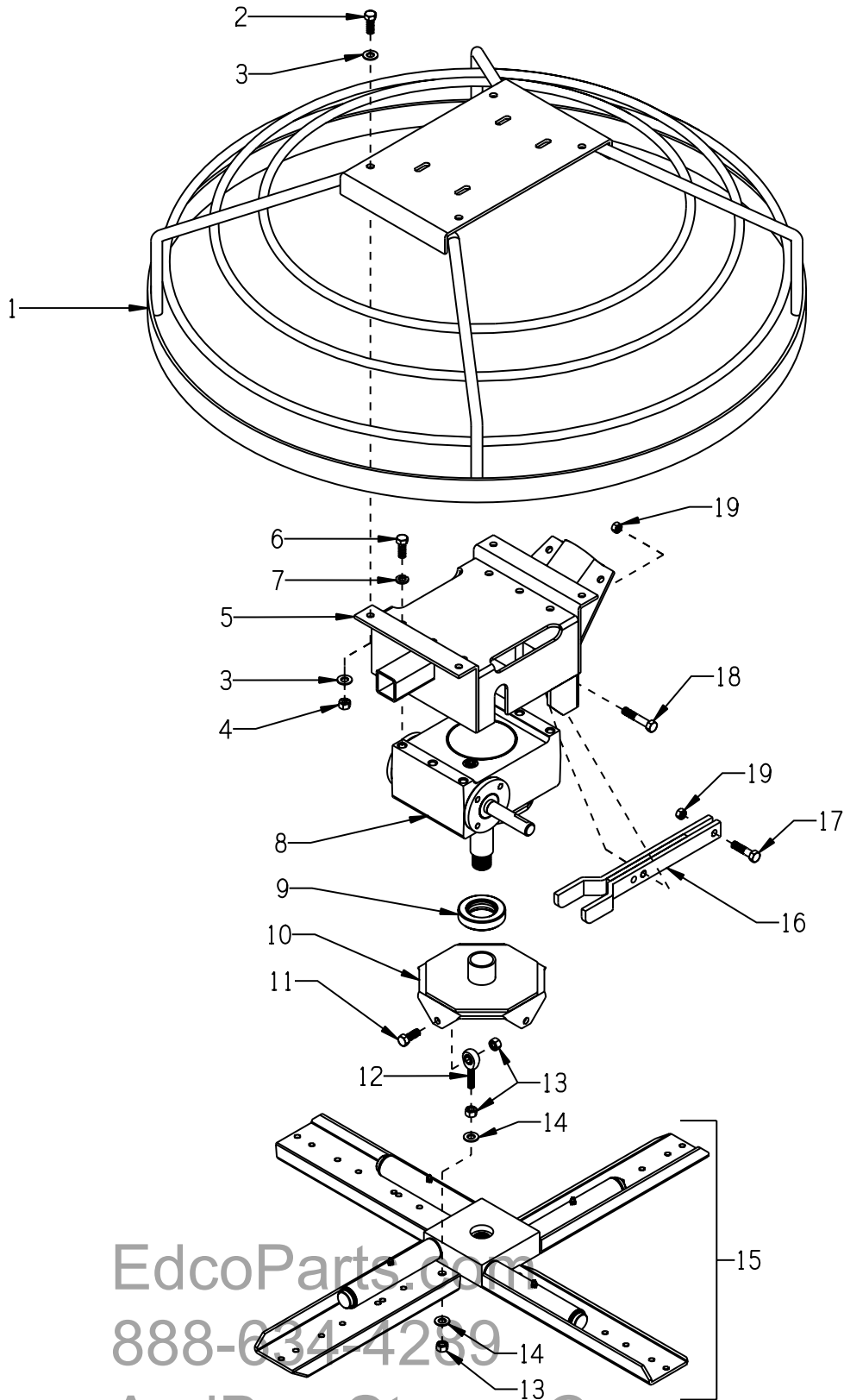
ITEM #	PART #	DESCRIPTION	QTY.
1	36071	HANDLE BELLY BAR, ADJUSTABLE	1
2	36083	PADDING, BELLY BAR	1
3	10608	GRIP, HAND 1" MODEL AT	2
4	10877	SCREW, CAP STSHW 10-24 X 1/2	2
5	10038	WASHER, LOCK 1/4 ZINC	2
6	36012A	CABLE, THROTTLE CONTROL 54", TROWEL	1
7	81001	SCREW, CAP 1/2-13 X 4	1
8	10312	WASHER, FLAT 1/2 SAE ZINC	2
9	10155	NUT, HEX NYLON LOCK 1/2-13	1
10	36063	KNOB, FLUTED 1/2-13 X 2-1/2"DIA.	2
11	10340	BOLT, TAP 1/2-13 X 3 (FULL THREAD)	2
12	36070	HANDLE BAR (REF. TO ILLUS. 1, ITEM 16)	1

**ILLUSTRATION 3 :
SAFETY STOP SWITCH GROUPING**



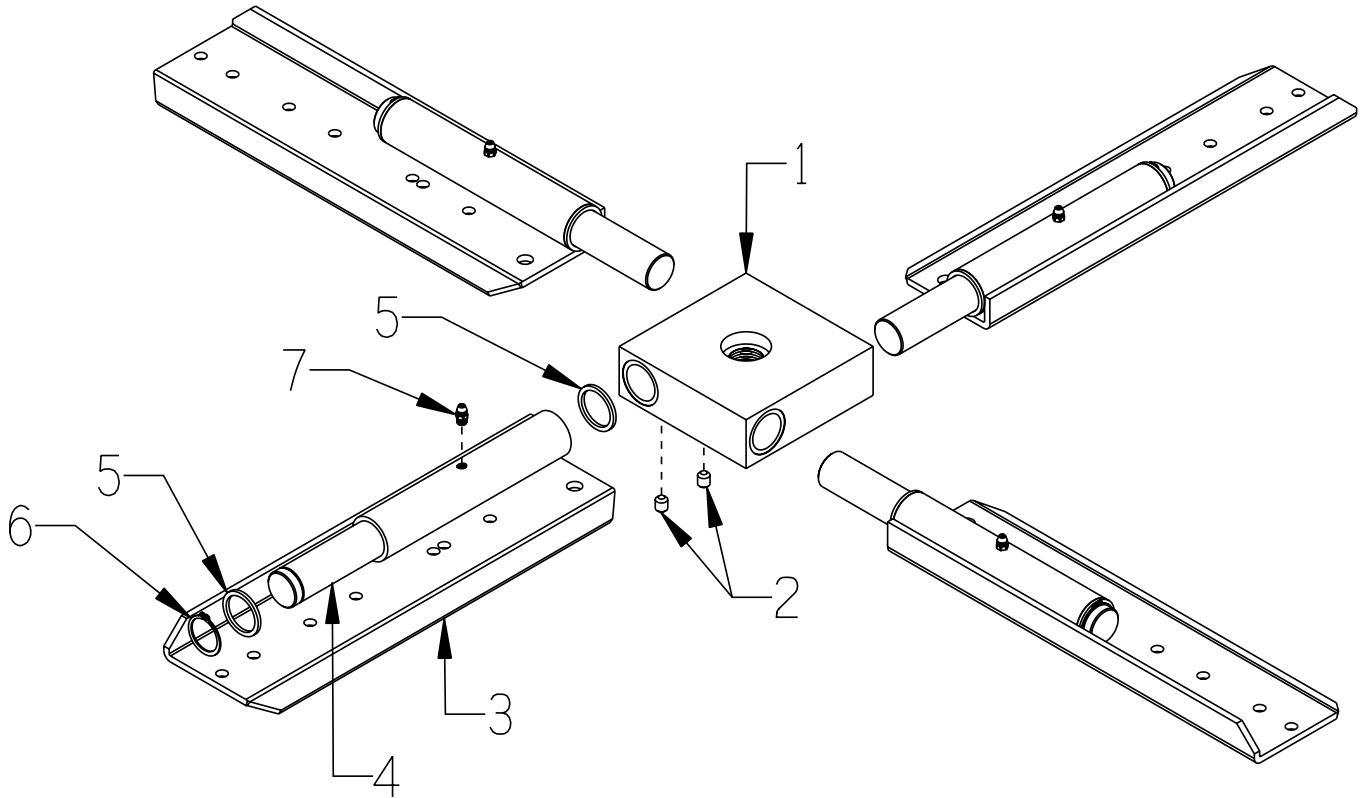
ITEM #	PART #	DESCRIPTION	QTY.
1	36073	BLOCK, SAFETY STOP SWITCH	1
2	36074	LEVER, SAFETY STOP SWITCH	1
3	36035	PIN, DOWEL 3/16 X 1-1/4 S.S.	1
4	10389	SCREW, MACHINE 6-32 X 1 (BRASS)	1
5	36064	MAGNET, NEODYMIUM RING 7/8 X 1/8	1
6	15187	WASHER, FIBER .75 X .25 X .093	1
7	36038	SPACER, NYLON 1/4OD X 1/4L X #6 ID	1
8	36037	SPACER, NYLON 3/8OD X 1/4L X #10 ID	1
9	36040	WASHER, FLAT #6 (BRASS)	1
10	36039	NUT, MACHINE SCREW HEX 6-32 (BRASS)	2
11	36041	WASHER, LOCK #6 (SILICON BRONZE)	1
12	11642	TERM., RING #6 16-14 GA. INSULATED	1
13	36090	WIRE, SAFETY STOP SWITCH	1
14	11568	CONNECTOR, LINE STD. 16-14GA.(BLUE)	1
15	36042	CLIP, NATURAL CORD, 1/8" X 1/4"	2
16	10018	SCREW, CAP 1/4-20 X 3/4	2
17	10038	WASHER, LOCK 1/4 ZINC	2
18	10602	WASHER, FLAT 1/4 SAE ZINC	2

ILLUSTRATION 4 : FRAME, TRANSMISSION & SPIDER GROUPING



PARTS LISTING - ILLUSTRATION 4 : FRAME, TRANSMISSION & SPIDER GROUPING			
ITEM #	PART #	DESCRIPTION	QTY.
1	36065 36066 36067 36068	FRAME & GUARD RING 24" TROWEL 30" TROWEL 36" TROWEL 46" TROWEL	1
2	10309 10029	SCREW, CAP 3/8-24 X 1-1/4 (HONDA GX120 & GX160 ONLY) 3/8-24 X 1-3/4 (HONDA GX270 ONLY)	4 4
3	10025	WASHER, FLAT 3/8 SAE ZINC	8
4	10004	NUT, HEX LOCK 3/8-24 ZINC	4
5	36069	MOUNT, TRANSMISSION	1
6	10055	SCREW, CAP 3/8-16 X 1	6
7	10025	WASHER, FLAT 3/8 SAE ZINC	6
8	3664 3664-RS	TRANSMISSION 20:1 RATIO - STANDARD SPEED (140 RPM MODELS) 40:1 RATIO - REDUCED SPEED (70 RPM MODELS)	1
9	3609	BEARING, THRUST BALL 1-1/2"ID X 2-19/32"OD X 5/8"THK	1
10	3626 4603	PLATE, PITCH ADJUSTMENT 24, 30, & 36" TROWELS 46" TROWELS	1
11	10021 10322	SCREW, CAP SCREW, CAP 3/8-24 X 1 (24, 30, & 36" TROWELS) SCREW, CAP 1/2-20 X 2 (46" TROWELS, ON INSIDE)	4
12	3605 4805	ROD END, MALE 3/8-24 (24, 30, & 36" TROWELS, AS SHOWN) 1/2-20 (46" TROWELS, MOUNTED ON OUTSIDE)	4
13	10004 10205	NUT, HEX LOCK ZINC 3/8-24 (24, 30, & 36" TROWELS) 1/2-20 (46" TROWELS)	12 16
14	10025 10312	WASHER, FLAT ZINC 3/8 SAE (24, 30, & 36" TROWELS) 1/2 SAE (46" TROWELS)	8
15	36084 36085 36086 36087 36093	SPIDER ASSEMBLY (REFER TO ILLUS. 7) 24" TROWEL (8-1/2" ARMS) 30" TROWEL (12" ARMS) 36" TROWEL (13" ARMS) 46" TROWEL (15-1/4" ARMS) 46" TROWEL (17-1/4" ARMS)	1
16	3625	FORK	1
17	10816	SCREW, CAP 3/8-24 X 1-1/2	1
18	10030	SCREW, CAP 3/8-24 X 2	1
19	10004	NUT, HEX LOCK 3/8-24 ZINC	2

ILLUSTRATION 5: SPIDER ASSEMBLY

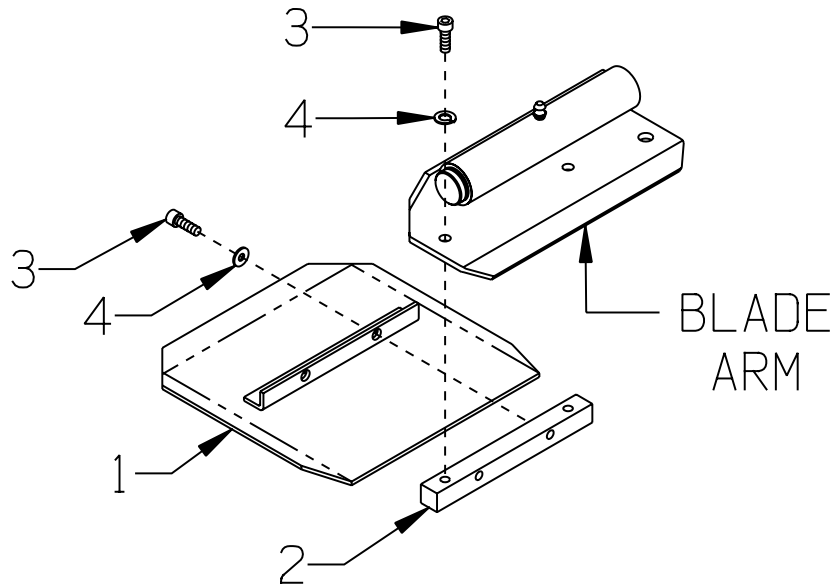


ITEM #	PART #	DESCRIPTION	QTY.
1	3637	HUB, 4 BLADE TROWEL	1
2	10052	SCREW, SET 5/16-18 X 3/8	8
3		ARM, BLADE	4
	2402	8-1/2" ARM, 24" TROWEL ,BOLT-ON BLADES	
	3666	12" ARM, 30" TROWEL, BOLT-ON OR QUICK-CHANGE	
	36007	13" ARM, 36" TROWEL, BOLT-ON OR QUICK-CHANGE	
	4618	15-1/4" ARM, 46" TROWEL, BOLT-ON BLADES	
	4606	17-1/4" ARM, 46" TROWEL, QUICK-CHANGE BLADES	
4		SHAFT, BLADE ARM	4
	3635	9-11/16"L SHAFT (24", 30", & 36" TROWEL)	
	4604	13-15/16"L SHAFT (46" TROWEL)	
5	3629	SPACER, ALUM. 1.25 X 1.017 X .090	4
6	10906	RETAINING RING, EXT. 1"	4
7	10808	FITTING, GREASE 1/4-28 STRAIGHT	4

EdcoParts.com
888-634-4289

An iBuy Stores Company

ILLUSTRATION 6:
BOLT-ON BLADES & ADAPTER
FOR 24" TROWEL



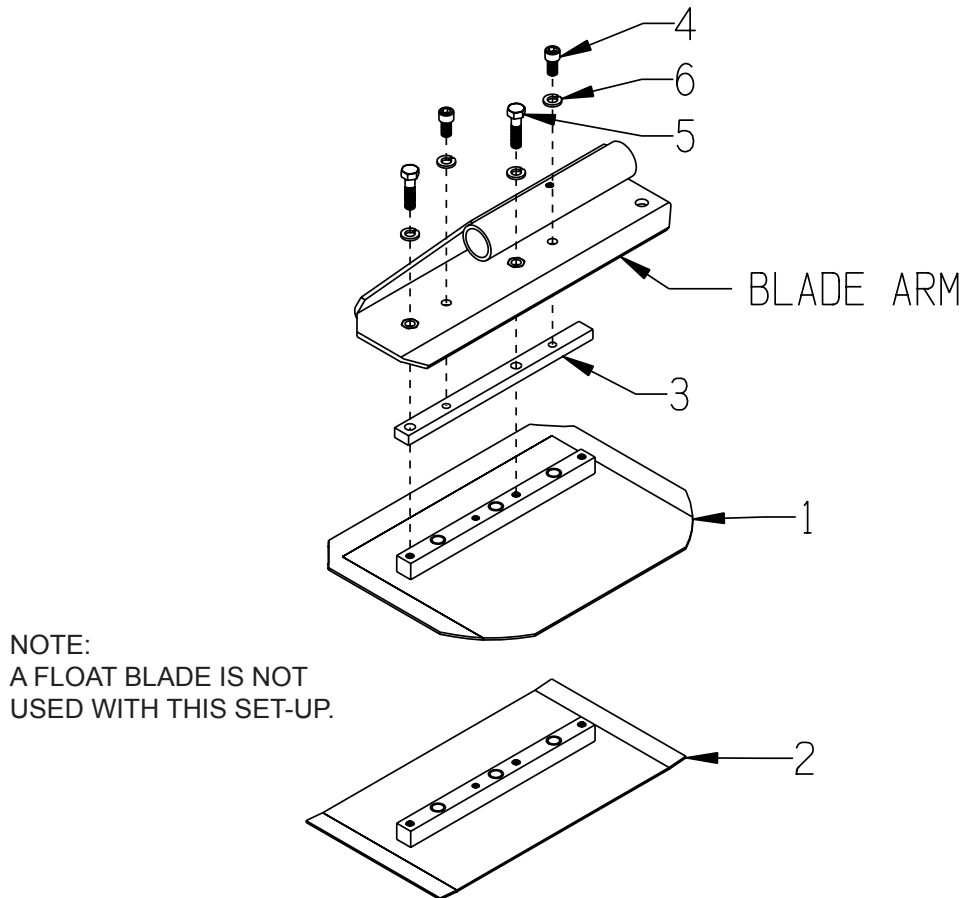
ITEM #	PART #	DESCRIPTION	QTY.
1		BLADE	4
	40470	C-4 COMBINATION TROWEL BLADE 8 X 8 (SHOWN)	
	40480	F-4 FINISH TROWEL BLADE 6 X 8	
	40490	M-4 FLOAT TROWEL BLADE 9 X 8	
2	2406	BAR, BLADE MOUNTING 5/8"SQ. X 6"	4
3	11639	SCREW, SKT. HD. CAP 5/16-18 X 5/8	16
4	10801	WASHER, LOCK 5/16 ZINC	16

EdcoParts.com

888-634-4289

An iBuy Stores Company

ILLUSTRATION 7:
BOLT-ON BLADES & ADAPTER
FOR 30" TROWEL

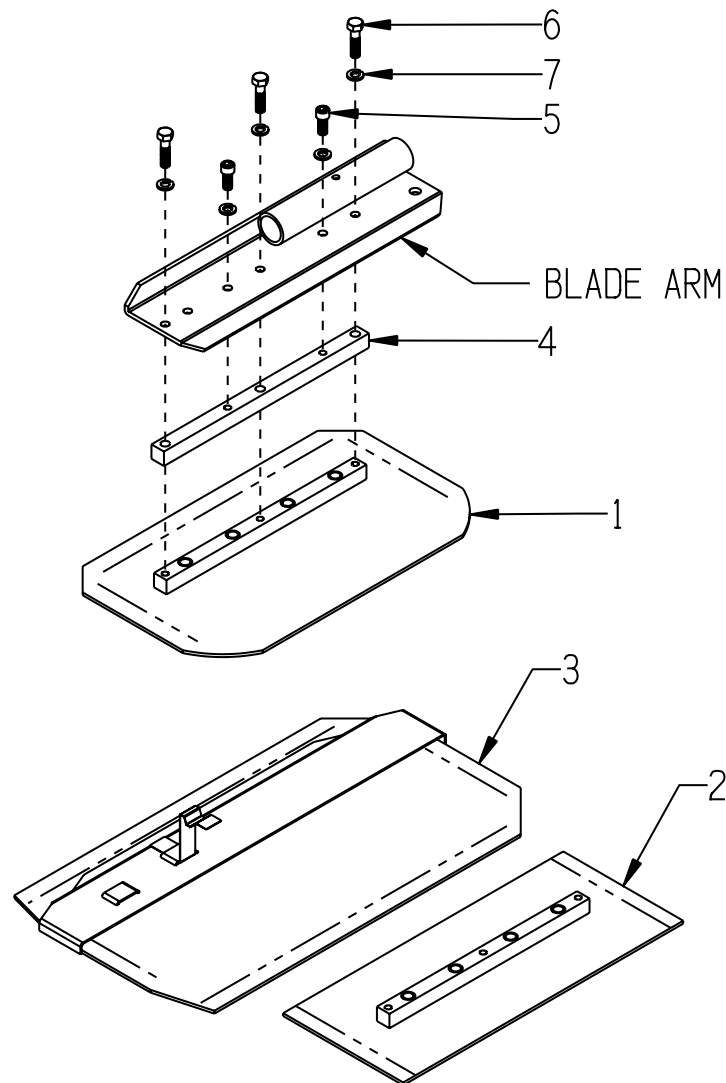


ITEM #	PART #	DESCRIPTION	QTY.
1	40270-C	C-2C COMBINATION TROWEL BLADE 8 X 10-1/2	4
2	40280-C	F-2C FINISH TROWEL BLADE 6 X 10-1/2	4
3	3639	ADAPTER BAR 3/8" X 5/8" X 8-1/4"	4
4	11639	SCREW, SKT. HD. CAP 5/16-18 X 5/8	8
5	10606	SCREW, HEX HD. CAP 5/16-18 X 1-1/4	8
6	10801	WASHER, LOCK 5/16 ZINC	20

888-634-4289

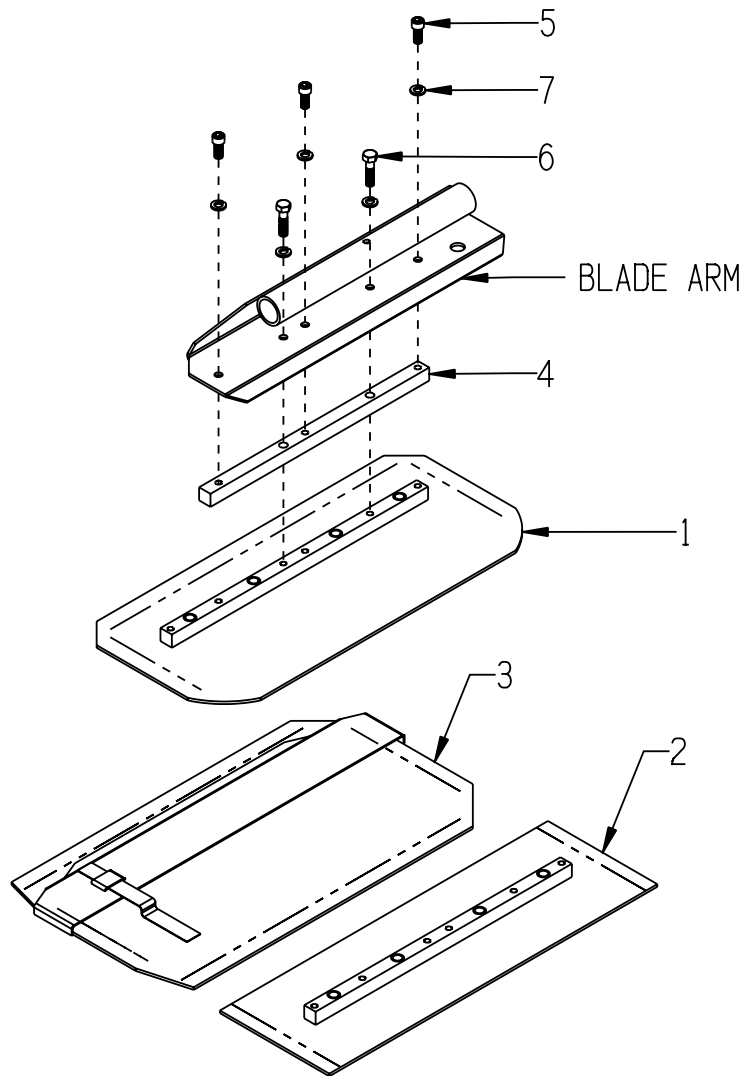
An iBuy Stores Company

ILLUSTRATION 8:
BOLT-ON BLADES & ADAPTER
FOR 36" TROWEL



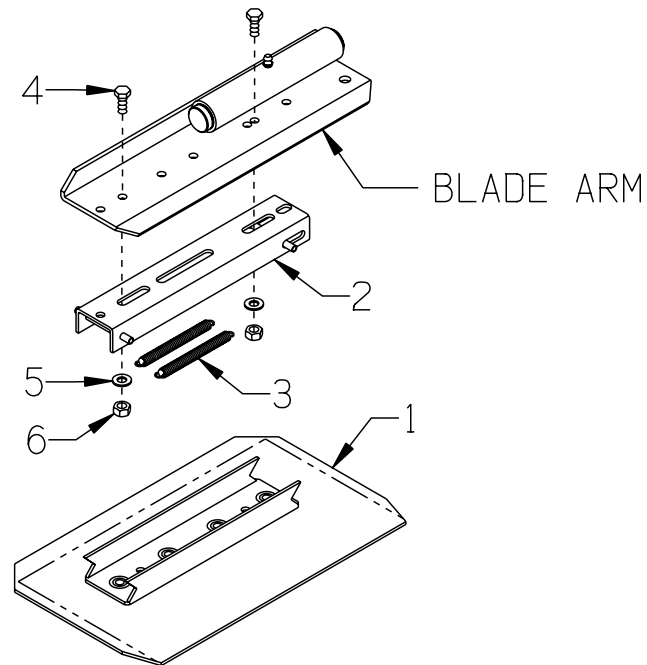
ITEM #	PART #	DESCRIPTION	QTY.
1	40040-C	C-1C COMBINATION TROWEL BLADE 8 X 14	4
2	40050-C	F-1C FINISH TROWEL BLADE 6 X 14	4
3	40060-CE	M-1CE FLOAT TROWEL BLADE 10 X 14 (SLIPS OVER FINISH BLADE)	4
4	36016	ADAPTER BAR 5/8" SQ. X 10-1/4"	4
5	11639	SCREW, SKT. HD. CAP 5/16-18 X 5/8	8
6	10606	SCREW, HEX HD. CAP 5/16-18 X 1-1/4	12
7	10801	WASHER, LOCK 5/16 ZINC	20

ILLUSTRATION 9:
BOLT-ON BLADES & ADAPTER
FOR 46" TROWEL



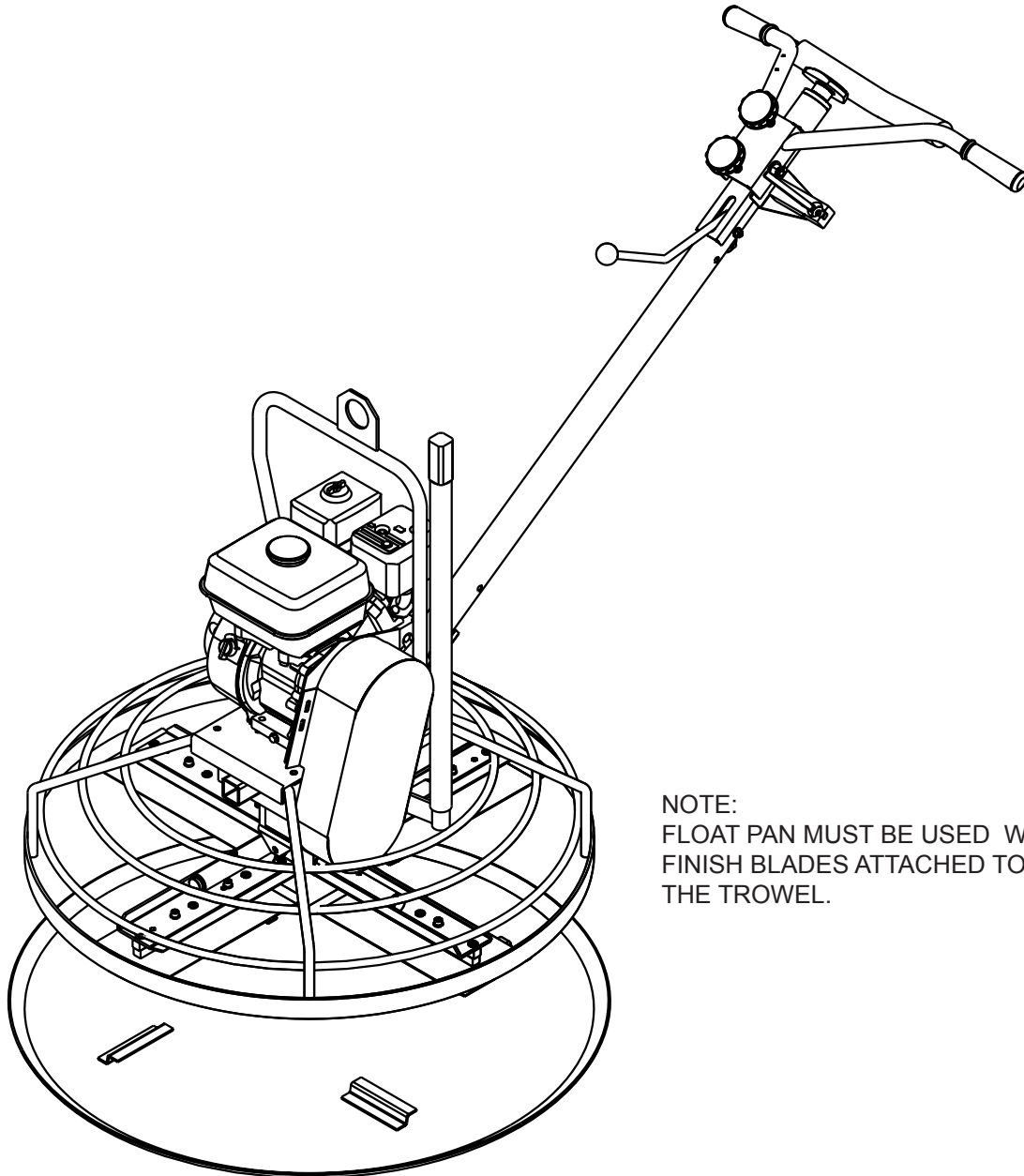
ITEM #	PART #	DESCRIPTION	QTY.
1	40070-C	C-3C COMBINATION TROWEL BLADE 8 X 18	4
2	40080-C	F-3C FINISH TROWEL BLADE 6 X 18	4
3	40090-C	M-3C FLOAT TROWEL BLADE 10 X 18 (SLIPS OVER FINISH BLADE)	4
4	4619	ADAPTER BAR 5/8" SQ. X 12"	4
5	11639	SCREW, SKT HD. CAP 5/16-18 X 5/8	12
6	10606	SCREW, HEX HD. CAP 5/16-18 X 1-1/4	8
7	10801	WASHER, LOCK 5/16 ZINC	20

**ILLUSTRATION 10:
OPTIONAL QUICK CHANGE BLADES & ADAPTERS
FOR 30", 36", & 46" TROWELS**



ITEM #	PART #	DESCRIPTION	QTY.
1	40270 40040 40070	COMBINATION BLADE (SHOWN) C-2, 8" x 11" C-1, 8" x 14" C-3, 8" x 18"	4
1	40290 40060 40090	FLOAT BLADE M-2, 9" x 11" M-1, 9" x 14" M-3, 9" x 18"	4
1	40280 40050 40080	FINISH BLADE F-2, 6" x 11" F-1, 6" x 14" F-3, 6" x 18"	4
2	40197 40237	ADAPTER COMPLETE (INCLUDES SPRINGS, ITEM 3) "A", 30" & 36" TROWEL, 10-1/16"L (SHOWN) "B", 46" TROWEL, 14-3/16"L	4
3	3636 4605	SPRING, EXTENSION 6"L ("A" ADAPTER) 11-1/2"L ("B" ADAPTER)	8
4	10053	SCREW, CAP 5/16-18 X 3/4	8/12
5	10213	WASHER, FLAT 5/16 SAE ZINC	8/12
6	10807	NUT, HEX LOCK 5/16-18 ZINC	8/12

ILLUSTRATION 11:
OPTIONAL 36" FLOAT PAN

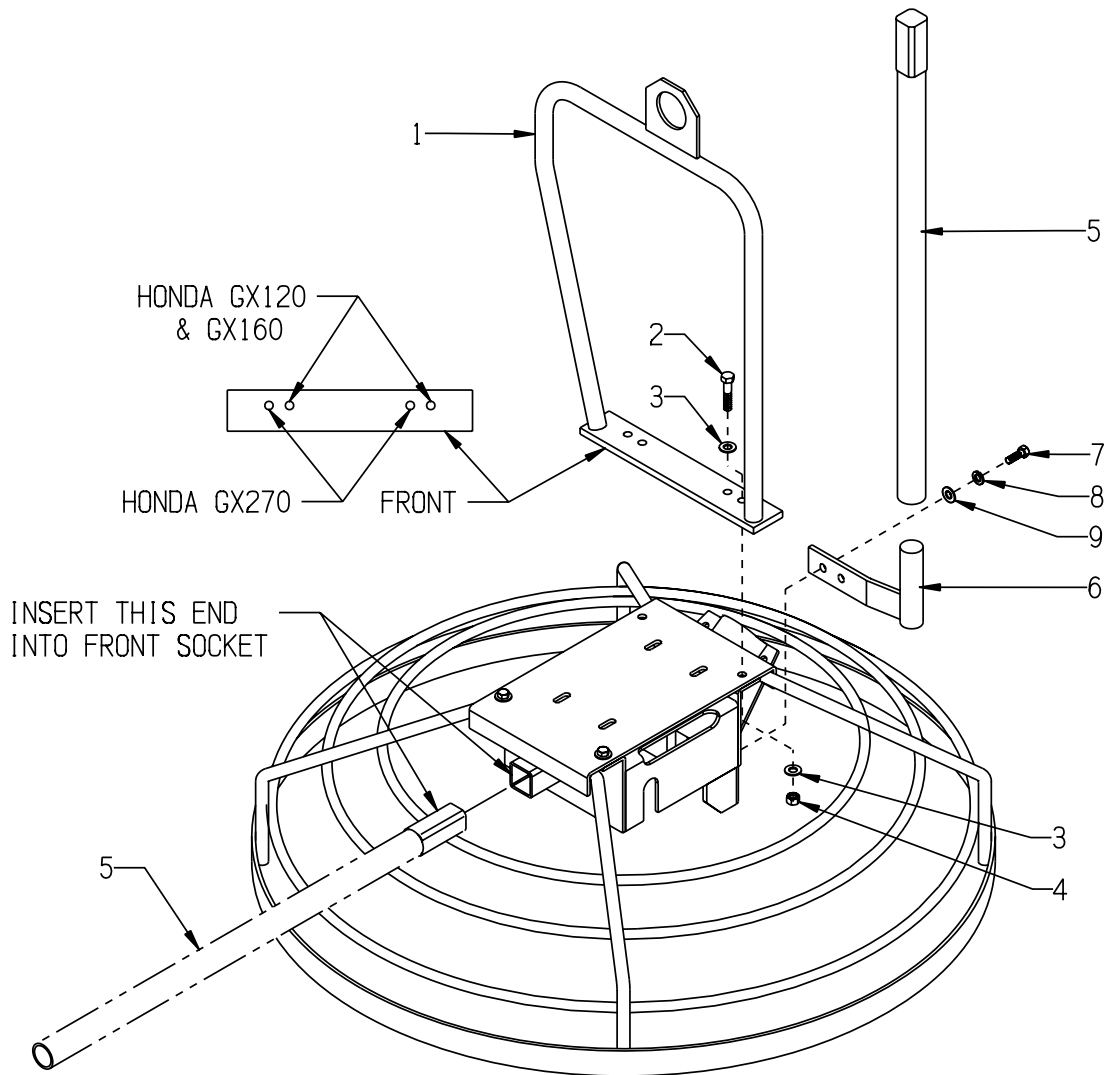


NOTE:
FLOAT PAN MUST BE USED WITH
FINISH BLADES ATTACHED TO
THE TROWEL.

EdcoParts.com
PART # 40710
WFP-36 PRO FLOAT PAN
MILD DISH
888-634-4289

An iBuy Stores Company

ILLUSTRATION 12: LIFTING BAIL & LIFT HANDLE GROUPING



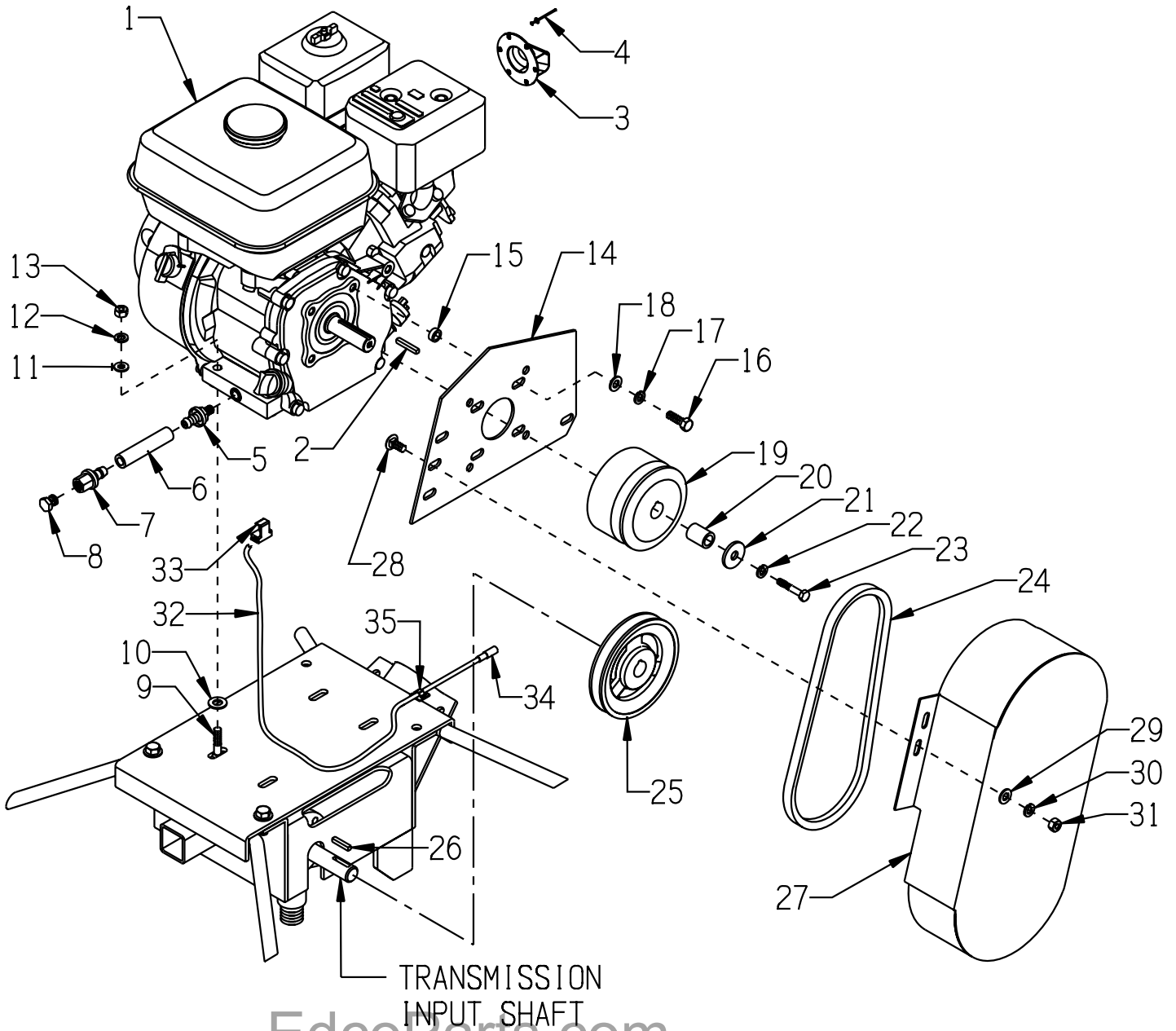
ITEM #	PART #	DESCRIPTION	QTY.
1	36098	LIFTING BAIL, GASOLINE TROWEL	1
2	10309	SCREW, CAP 3/8-24 X 1-1/4 (HONDA GX120 & GX160 ONLY)	4
	10029	3/8-24 X 1-3/4 (HONDA GX270 ONLY)	4
3	10025	WASHER, FLAT 3/8 SAE ZINC	4
4	10004	NUT, HEX LOCK 3/8-24 ZINC	4
5	36091	HANDLE, LIFT	1
6	36092	HOLDER, LIFT HANDLE	1
7	10021	SCREW, CAP 3/8-24 X 1	2
8	10811	WASHER, LOCK 3/8 ZINC	2
9	10025	WASHER, FLAT 3/8 SAE ZINC	2

EdcoParts.com

888-634-4289

An iBuy Stores Company

ILLUSTRATION 13: ENGINE GROUPING
FOR HONDA GX120 & GX160



EdcoParts.com

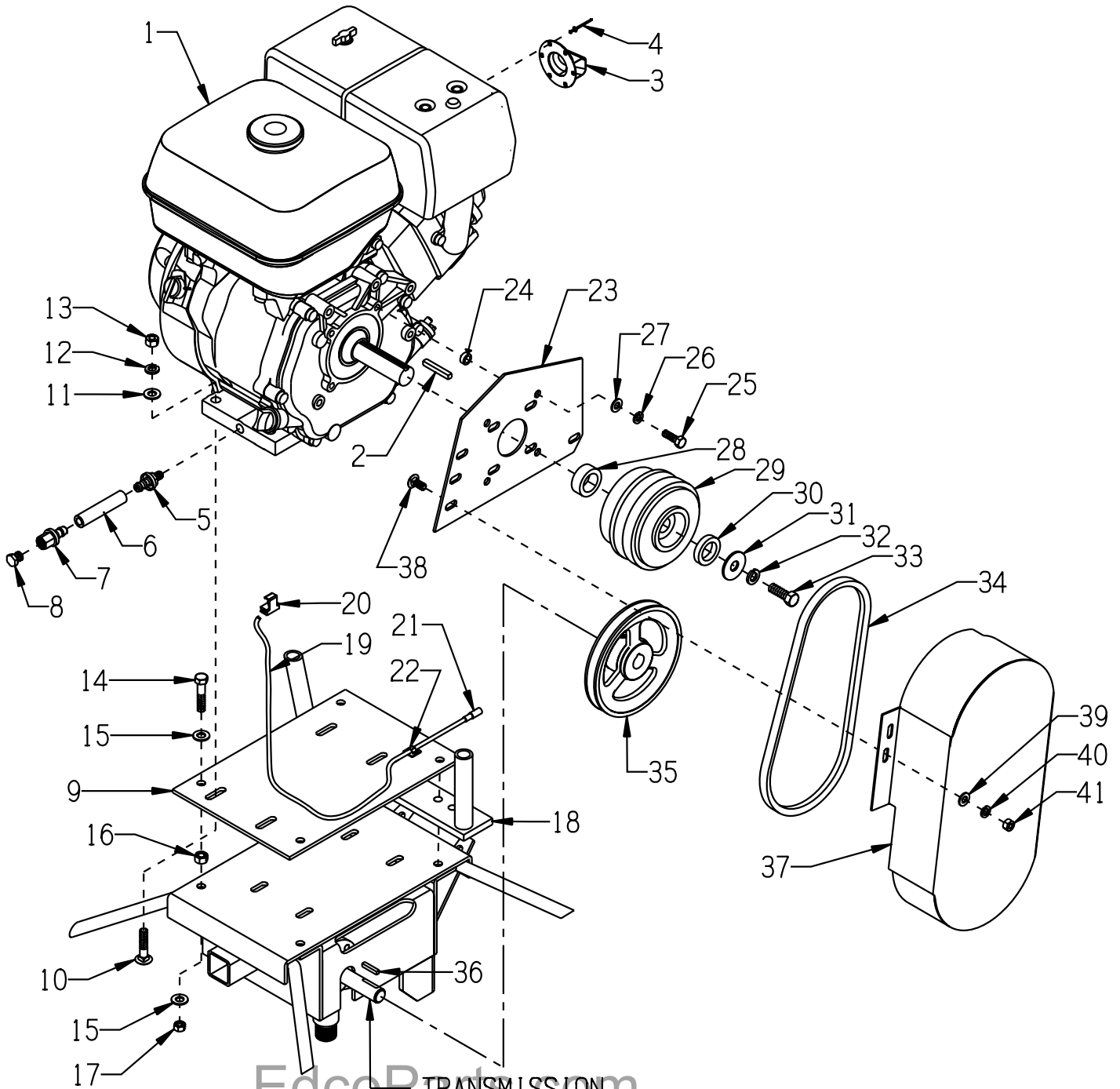
888-634-4289

An iBuy Stores Company

**PARTS LISTING - ILLUSTRATION 13 :
ENGINE GROUPING FOR HONDA GX120 & GX160**

ITEM #	PART #	DESCRIPTION	QTY.
1	15052 15051	HONDA GASOLINE ENGINE W/ DUAL ELEMENT AIR CLEANER MODEL GX120-QX2, 118 CC MODEL GX160UT1-QX2, 163 CC	1
2	65254	KEY 3/16 SQ X 7/8	1
3	10625	MUFFLER CAP, HONDA #18331-ZE3-811	1
4	10128	RIVET, BLIND 1/8 X .250L X .262HD	2
5	11541	BARB, PUSH-ON 3/8 HOSE X10MM X 1.25	1
6	56116	HOSE, PUSH-ON 3/8"ID X 3"L	1
7	11544	BARB, PUSH-ON 3/8 HOSE X 1/4FPT	1
8	10776	PIPE PLUG 1/4 NPT (BRASS)	1
9	10918	BOLT, CARRIAGE 5/16-18 X 1-3/4 F.T.	4
10	10025	WASHER, FLAT 3/8 SAE ZINC	4
11	10213	WASHER, FLAT 5/16 SAE ZINC	4
12	10801	WASHER, LOCK 5/16 ZINC	4
13	10054	NUT, HEX 5/16-18 ZINC	4
14	36099	BELT COVER MTG BRACKET, GAS TROWEL	1
15	10113	SPACER, STEEL 9/16OD X 3/8ID X 7/32	4
16	10332	SCREW, CAP 5/16-24 X 1	4
17	10801	WASHER, LOCK 5/16 ZINC	4
18	10213	WASHER, FLAT 5/16 SAE ZINC	4
19	36121	CLUTCH, CENTRIFUGAL 4.00 X 3/4"BORE	1
20	36122	SPACER, CLUTCH OUTER 3/4"OD x 1/2"ID x 1"THK	1
21	72006	WASHER, 1-1/4OD X 13/32ID X 1/8THK	1
22	10801	WASHER, LOCK 5/16 ZINC	1
23	36123	SCREW, CAP 5/16-24 X 1-3/4	1
24	10252	BELT A-26	1
25	36120	SHEAVE 4.8"OD X 1GR.A X 3/4"BORE	1
26	36108	TRANS. INPUT KEY 3/16SQ X 1 (INCLUDED W/ TRANSMISSION)	1
27	36072	COVER, BELT	1
28	10818	BOLT, CARRIAGE 5/16-18 X 3/4 F.T.	3
29	10801	WASHER, LOCK 5/16 ZINC	3
30	10213	WASHER, FLAT 5/16 SAE ZINC	3
31	10054	NUT, HEX 5/16-18 ZINC	3
32	36047	WIRE, SAFETY SWITCH	1
33	10970	CONN., WIRE QUICK-SPLICE 18-14 GA.	1
34	11567	CONNECTOR, BULLET STD. 16-14GA.BLUE	1
35	36042	CLIP NATURAL CORD 1/8" X 1/4"	2

ILLUSTRATION 14:
ENGINE GROUPING FOR HONDA GX270



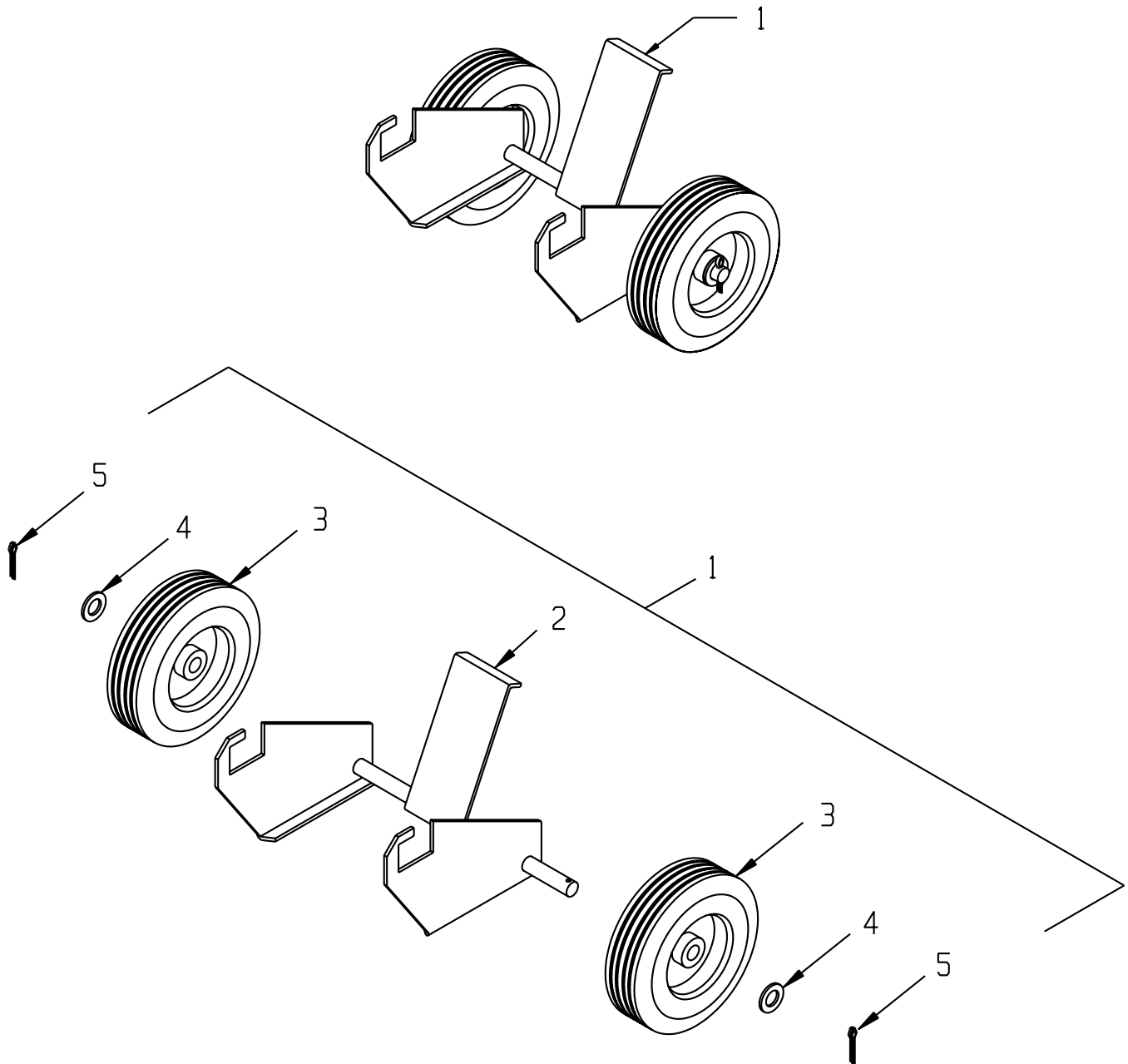
EdcoParts.com
TRANSMISSION
INPUT SHAFT
888-634-4289

An iBuy Stores Company

PARTS LISTING - ILLUSTRATION 14 : ENGINE GROUPING FOR HONDA GX270

ITEM #	PART #	DESCRIPTION	QTY.
1	15053	ENGINE, HONDA GX270UT-QA2 D.E.A.C.	1
2	-----	KEY 1/4SQ. (INCLUDED W/ ENGINE)	1
3	10625	MUFFLER CAP, HONDA #18331-ZE3-811	1
4	10128	RIVET, BLIND 1/8 X .250L X .262HD	2
5	11542	BARB, PUSH-ON 3/8HOSE X 12MM X 1.50	1
6	56116	HOSE, PUSH-ON 3/8"ID X 3"L	1
7	11544	BARB, PUSH-ON 3/8 HOSE X 1/4FPT	1
8	10776	PIPE PLUG 1/4 NPT (BRASS)	1
9	36088	MOUNT, HONDA GX270 ENGINE	1
10	10087	BOLT, CARRIAGE 3/8-16 X 1-3/4 F.T.	4
11	10025	WASHER, FLAT 3/8 SAE ZINC	4
12	10811	WASHER, LOCK 3/8 ZINC	4
13	10404	NUT, HEX 3/8-16 ZINC	4
14	10029	SCREW, CAP 3/8-24 X 1-3/4	4
15	10025	WASHER, FLAT 3/8 SAE ZINC	8
16	10014	NUT, HEX 3/8-24 ZINC	2
17	10004	NUT, HEX LOCK 3/8-24 ZINC	4
18	36098	BAIL, LIFTING, GASOLINE TROWEL (REFER TO ILLUS. 12)	1
19	36047	WIRE, SAFETY SWITCH	1
20	10970	CONN., WIRE QUICK-SPLICE 18-14 GA.	1
21	11567	CONNECTOR, BULLET STD. 16-14GA.BLUE	1
22	36042	CLIP, NATURAL CORD, 1/8" X 1/4"	2
23	36099	BELT COVER MTG BRACKET, GAS TROWEL	1
24	10011	SPACER, STEEL 5/8OD X 3/8ID X 3/8T	4
25	10048	SCREW, CAP 5/16-24 X 3/4	4
26	10801	WASHER, LOCK 5/16 ZINC	4
27	10213	WASHER, FLAT 5/16 SAE ZINC	4
28	36048	SPACER, CLUTCH INNER 1-1/2"OD x 1"ID x 9/16"THK	1
29	36002	CLUTCH, CENTRIFUGAL 4.75 X 1"BORE	1
30	36049	SPACER, CLUTCH OUTER 1-1/2"OD x 1"ID x 5/16"THK	1
31	10433	WASHER, BELLEVILLE 1/2ID X 3/32THK	1
32	10450	WASHER, LOCK 7/16 ZINC	1
33	10003	SCREW, CAP 7/16-20 X 1-1/4	1
34	10239	BELT AP-32	1
35	36013	SHEAVE 6"OD X 1GR.A X 3/4"BORE	1
36	36108	TRANS. INPUT KEY 3/16SQ X 1 (INCLUDED W/ TRANSMISSION)	1
37	36072	COVER, BELT	1
38	10818	BOLT, CARRIAGE 5/16-18 X 3/4 F.T.	3
39	10801	WASHER, LOCK 5/16 ZINC	3
40	10213	WASHER, FLAT 5/16 SAE ZINC	3
41	10054	NUT, HEX 5/16-18 ZINC	3

ILLUSTRATION 16: OPTIONAL "TOTE-A-TROWEL"



ITEM #	PART #	DESCRIPTION	QTY.
1	81400	TAT-II "TOTE-A-TROWEL" TRANSPORTER (INCLUDES ITEMS 2 THRU 5)	1
2	81401	FRAME	1
3	79013	WHEEL, 8 X 2-1/2 X 3/4" BRG. POLY HUB	2
4	10009	WASHER, FLAT 3/4 SAE ZINC	2
5	10306	PIN, COTTER 3/16 X 1-1/2	2