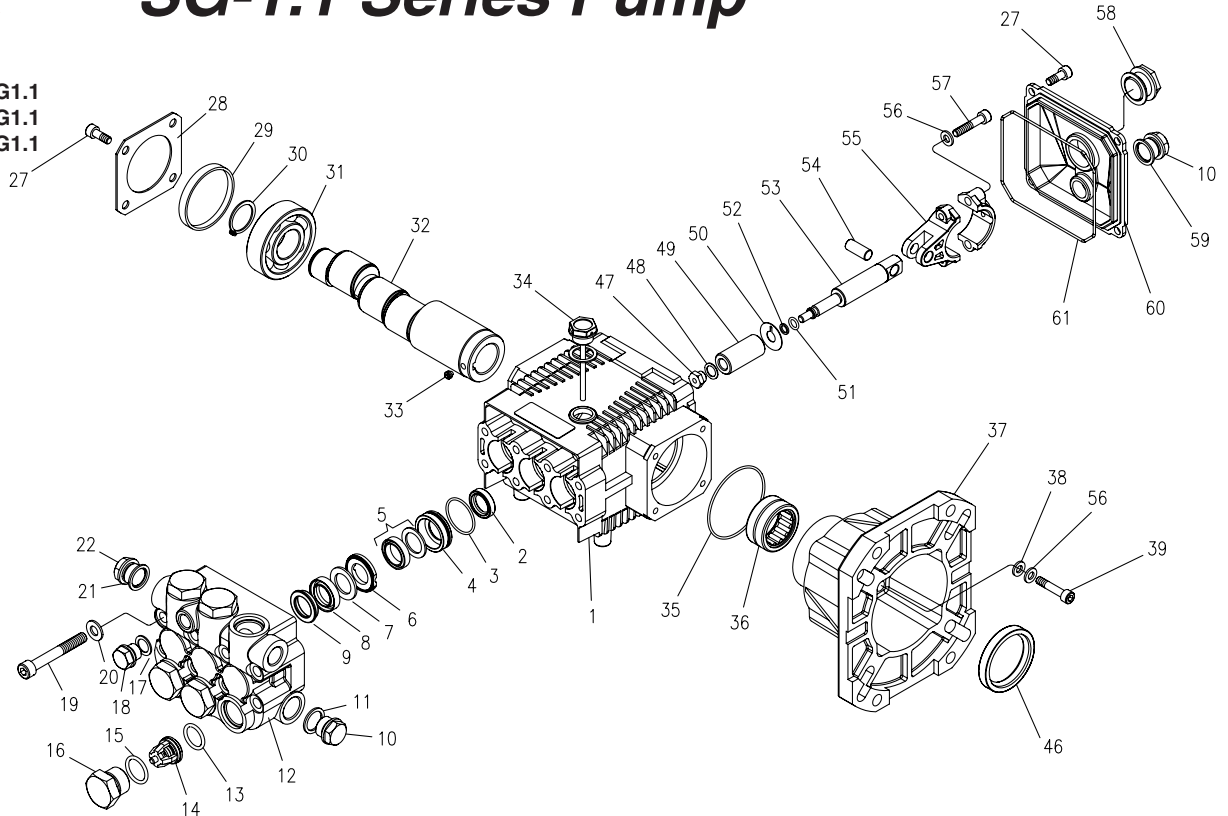




SG-1.1 Series Pump

8.904-820.0 SG3035G1.1
 8.904-821.0 SG3535G1.1
 8.904-822.0 SG4030G1.1

| TORQUE SPECS | |
|--------------|---------|
| Item # | Ft.-lbs |
| 16 | 65 |
| 19 | 18 |
| 27 | 7.6 |
| 39 | 8 |
| 47 | 7 |
| 57 | 13 |



PARTS LIST

| ITEM | PART NO. | DESCRIPTION | QTY | ITEM | PART NO. | DESCRIPTION | QTY | ITEM | PART NO. | DESCRIPTION | QTY |
|------|---------------|------------------------|-----|------|-------------|-----------------------|-----|------|---------------|----------------------|-----|
| 1 | 9.803-938.0 | Crankcase | 1 | 19 | 9.803-952.0 | Manifold Stud Bolt | 8 | 39 | 8.933-020.0 | Flange Screw | 4 |
| 2* | See Kit Below | Plunger Oil Seal | 3 | 20 | 9.802-884.0 | Washer | 8 | 46 | 9.803-142.0 | Crankshaft Seal | 1 |
| 3* | See Kit Below | O-Ring Ø1.78 x 31.47 | 3 | 21 | 9.803-198.0 | Copper Washer 3/8" | 1 | 47* | See Kit Below | Plunger Nut | 3 |
| 4* | See Kit Below | Pressure Ring, 15mm | 3 | 22 | 9.802-925.0 | Brass Plug 3/8" | 2 | 48* | See Kit Below | Copper Washer | 3 |
| 5* | See Kit Below | U Seal Assy, 15mm | 3 | 27 | 9.802-939.0 | Hexagonal Screw | 9 | 49* | See Kit Below | Plunger, 15mm | 3 |
| 6* | See Kit Below | Intermediate Ring 15mm | 3 | 28 | 9.803-953.0 | Bearing Cover | 1 | 50* | See Kit Below | Copper Spacer | 3 |
| 7* | See Kit Below | Backup Ring, 15mm | 3 | 29 | 9.803-954.0 | Seal Bearing | 1 | 51* | See Kit Below | O-Ring Ø1.78x5.28 | 3 |
| 8* | See Kit Below | U-Seal Assy, 15mm | 3 | 30 | 9.802-914.0 | Snap Ring | 1 | 52* | See Kit Below | Teflon Ring | 3 |
| 9* | See Kit Below | Support Ring 15mm | 3 | 31 | 9.803-955.0 | Ball Bearing | 1 | 53 | 9.803-964.0 | Plunger Rod | 3 |
| 10 | 9.802-926.0 | Brass Plug, 1/2" | 1 | 32 | 8.730-825.0 | Crankshaft (3035G1) | 1 | 54 | 9.803-965.0 | Connecting Rod Pin | 3 |
| 11 | 9.803-199.0 | Copper Washer 1/2" | 1 | | 8.730-826.0 | Crankshaft (3535G1) | 1 | 55 | 9.803-966.0 | Connecting Rod | 3 |
| 12 | 9.803-946.0 | Manifold Housing | 1 | | 8.730-827.0 | Crankshaft (4030G1) | 1 | 56 | 9.803-218.0 | Spring Washer | 10 |
| 13* | 9.803-947.0 | O-Ring Ø1.78 x 15.54 | 6 | 33 | 9.802-945.0 | Set Screw | 1 | 57 | 8.933-020.0 | Connecting Rod Screw | 6 |
| 14* | See Kit Below | Valve Assembly | 6 | 34 | 9.803-957.0 | Oil Dip Stick | 1 | 58 | 9.803-202.0 | Sight Glass, G3/4 | 1 |
| 15* | 9.803-948.0 | O-Ring Ø2.62 x 18.77 | 6 | 35 | 9.804-581.0 | O-Ring 3.53 x 55.56 | 1 | 59 | 9.803-197.0 | Gasket, G3/4 | 1 |
| 16 | 9.803-949.0 | Valve Plug | 6 | 36 | 9.803-161.0 | Needle Roller Bearing | 1 | 60 | 9.803-968.0 | Crankcase Cover | 1 |
| 17 | 9.803-950.0 | Washer, Copper | 1 | 37 | 9.803-183.0 | Engine Flange | 1 | 61 | 9.803-969.0 | O-Ring 2.62 x 107.62 | 1 |
| 18 | 9.803-951.0 | Brass Plug G1/4 | 1 | 38 | 9.803-210.0 | Spring Washer | 4 | | | | |

* Part available in kit (See below)

REPAIR KITS

| REPAIR KIT NUMBER | 8.725-354.0 | 8.725-355.0 | 9.803-934.0 | 9.803-936.0 | 9.803-937.0 |
|--------------------------------------|-------------------|----------------------------|------------------------|----------------|-------------------|
| KIT DESCRIPTION | Plunger Seal 15mm | Complete Seal Packing 15mm | Plunger 15mm | Complete Valve | Plunger Oil Seals |
| ITEM NUMBERS INCLUDED | 3, 5, 7, 8, 9 | 3, 4, 5, 6, 7, 8, 9 | 47, 48, 49, 50, 51, 52 | 13, 14, 15 | 2 |
| NUMBER OF CYLINDERS KIT WILL SERVICE | 3 | 1 | 1 | 6 | 3 |